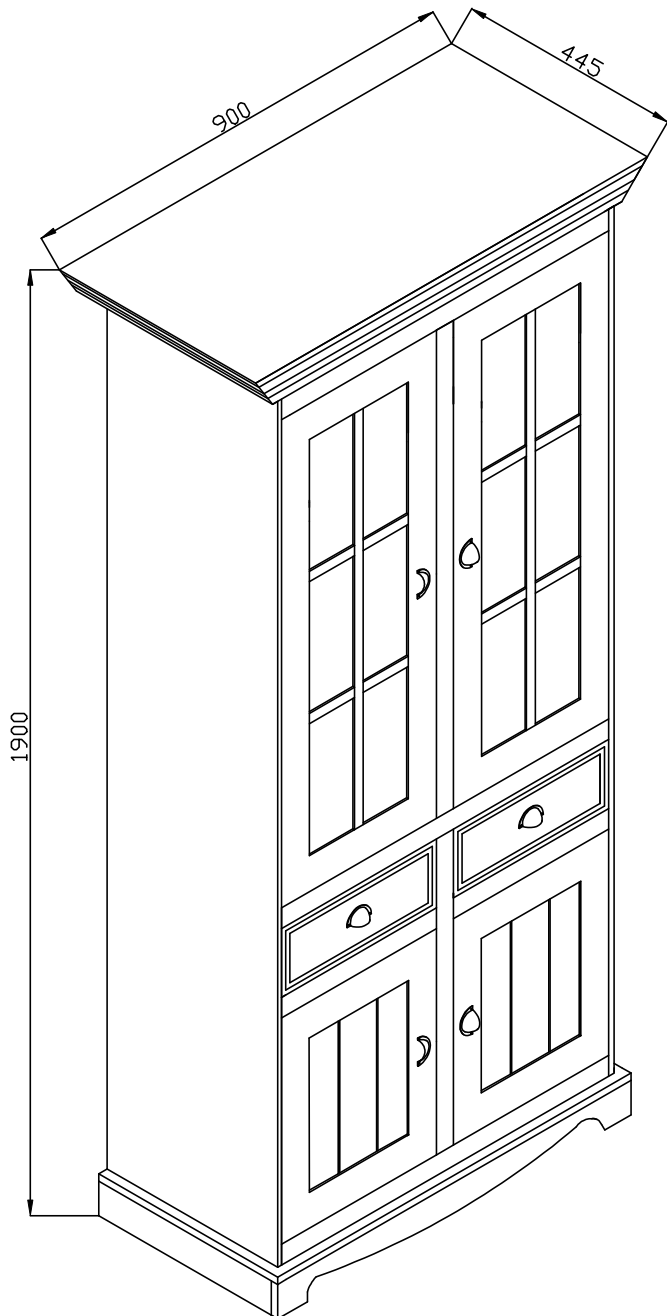
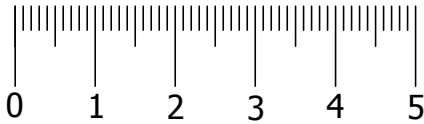
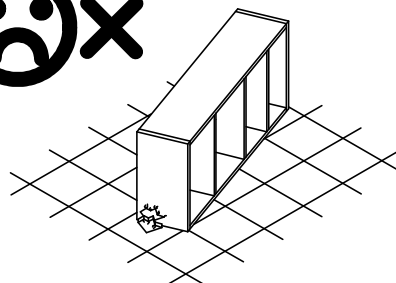
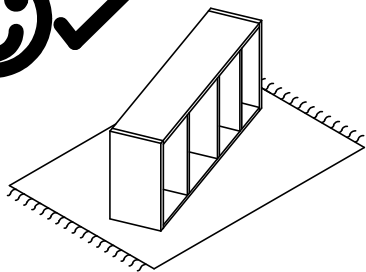
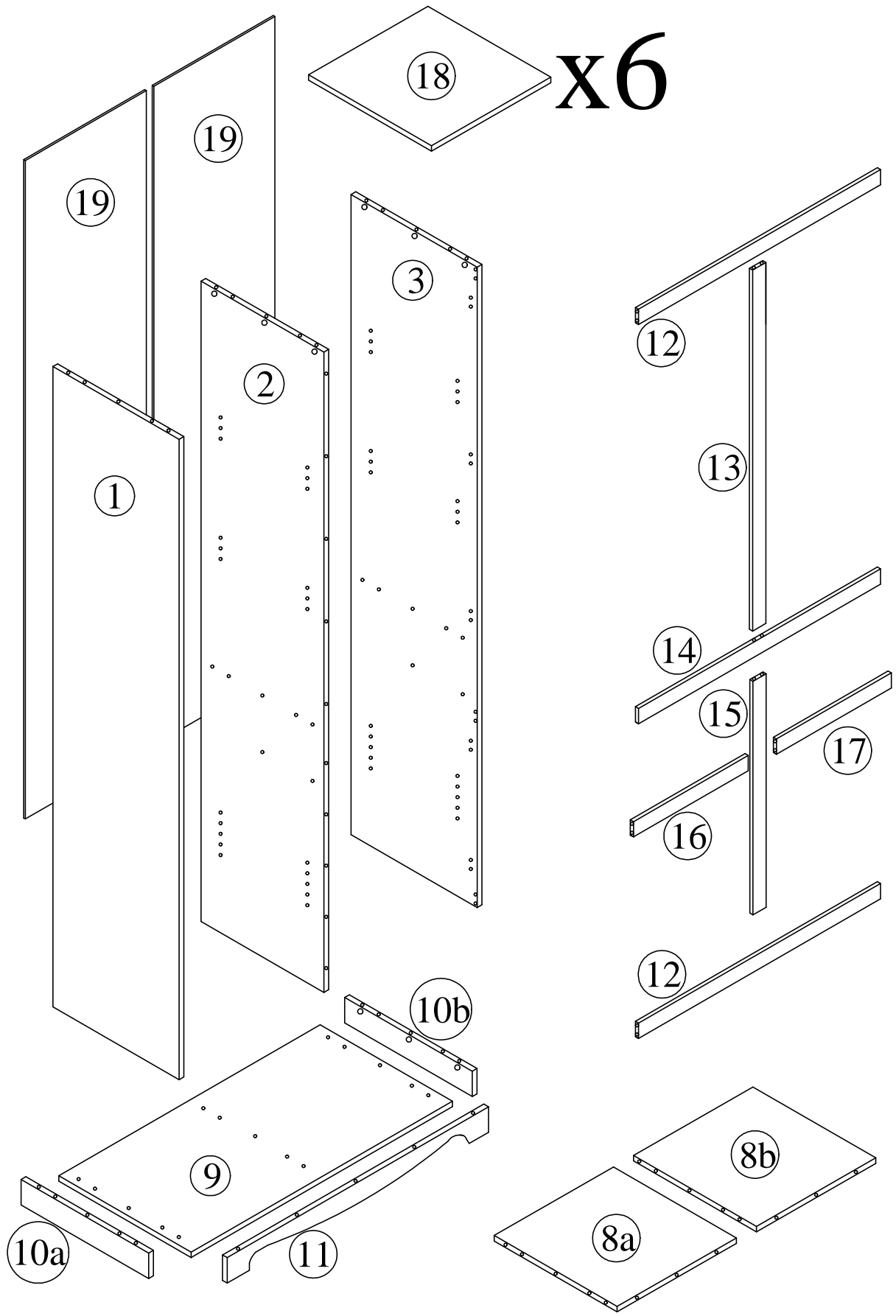


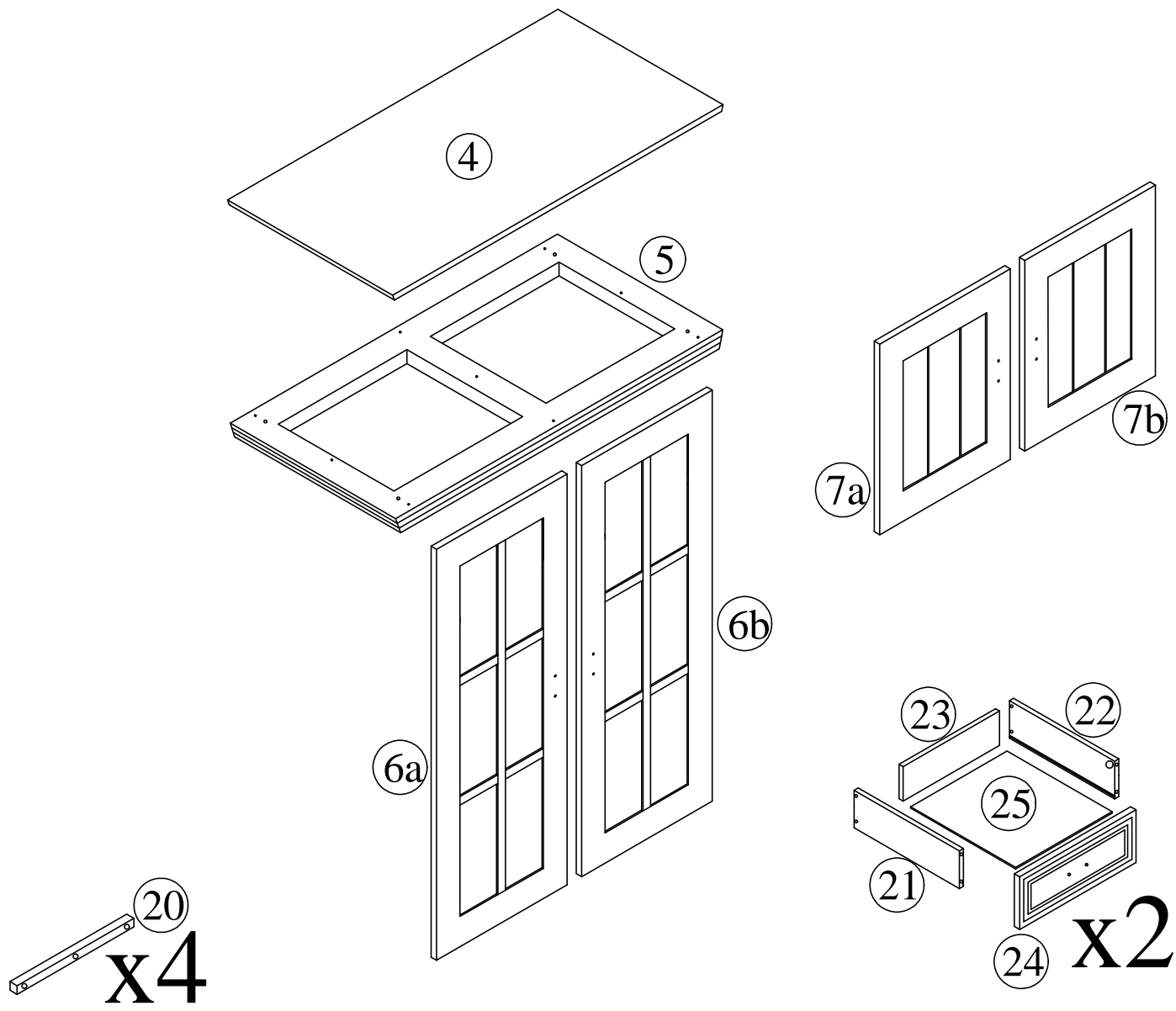
23880012-12

CLAUDIA VITRINE 4T2L



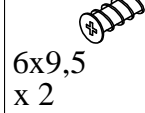
BS x 1	E1 6x9,5 x 12	E3 L-22 x 4	G5 x 6
GW x 2	K1 ø8x35 x 52	KF 6,4x50 x 9	KL x 1
KS 4x45 x 1	KT x 2	L x 1	M1 x 56
M2 x 56	MM' x 4	MT' x 4	P0 x 4 13mm
P13 x 4	L-300 x 4		P14 x 4 L-300
PP x 24	S1 3x13 x 25	S4 3x30 x 20	S14 4x50 x 9
SL x 4	Z2 x 10 15°		





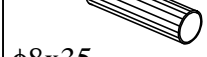
COLI 1					COLI 2				
No.	size mm			pcs.	No.	size mm			pcs.
4	900	445	15	1	1	1760	400	15	1
5	880	430	40	1	2	1760	380	15	1
8a	383	380	15	1	3	1760	400	15	1
8b	383	380	15	1	6a	1005	383	15	1
9	850	415	15	1	6b	1005	383	15	1
10a	390	70	20	1	7a	432	364	15	1
10b	390	70	20	1	7b	432	364	15	1
11	845	70	20	1	13	1010	42	15	1
12	782	42	15	2	19a	1820	400	3	1
14	782	42	15	1	19b	1820	400	3	1
15	624	42	15	1	24	365	142	15	2
16	370	42	15	1					
17	370	42	15	1					
18	383	380	15	6					
20	300	17	17	4					
21	300	90	15	2					
22	300	90	15	2					
23	317	72	15	2					
25	329	307	3	2					

E1



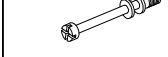
6x9,5
x 2

K1



ø8x35
x 4

M1



x 6

M2

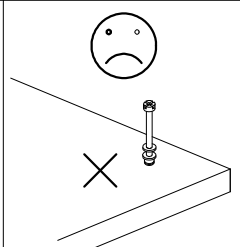
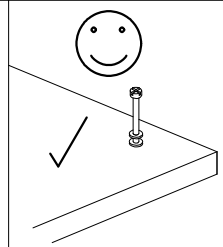


x 3

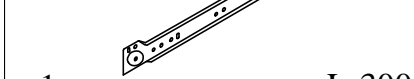
PP



x 6

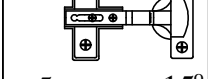


P13



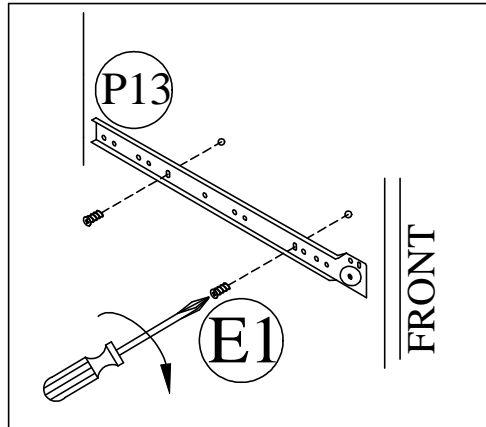
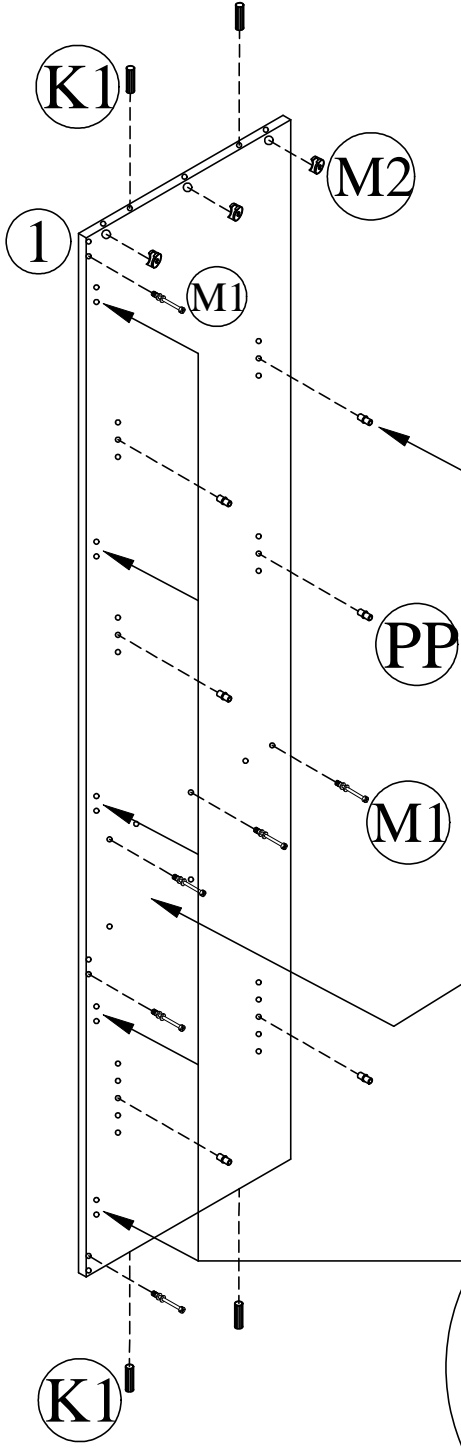
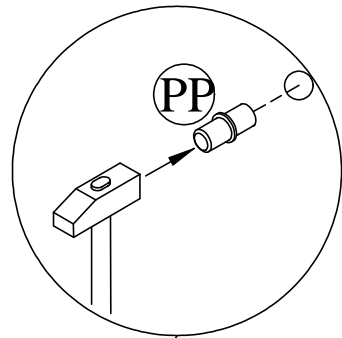
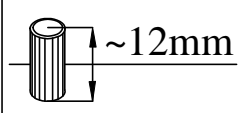
x 1

Z2

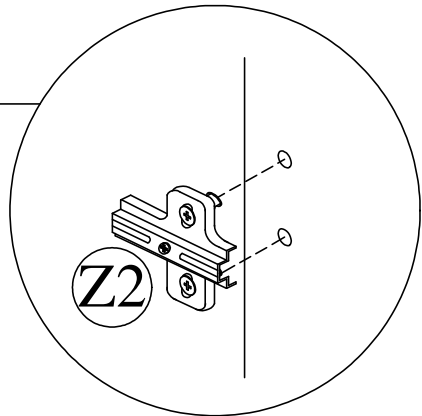



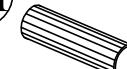
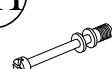


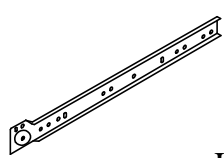
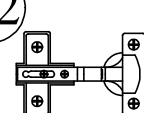
x 5

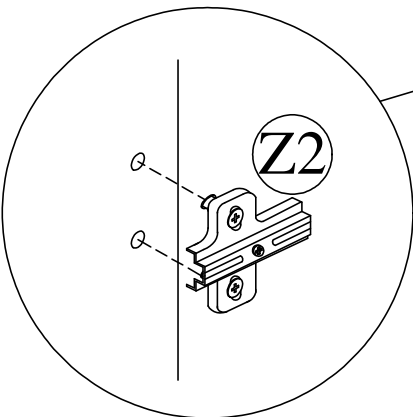
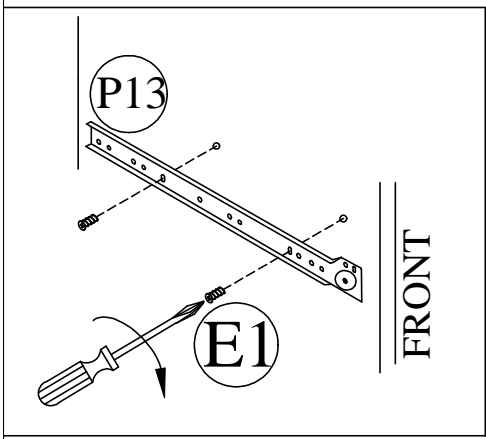
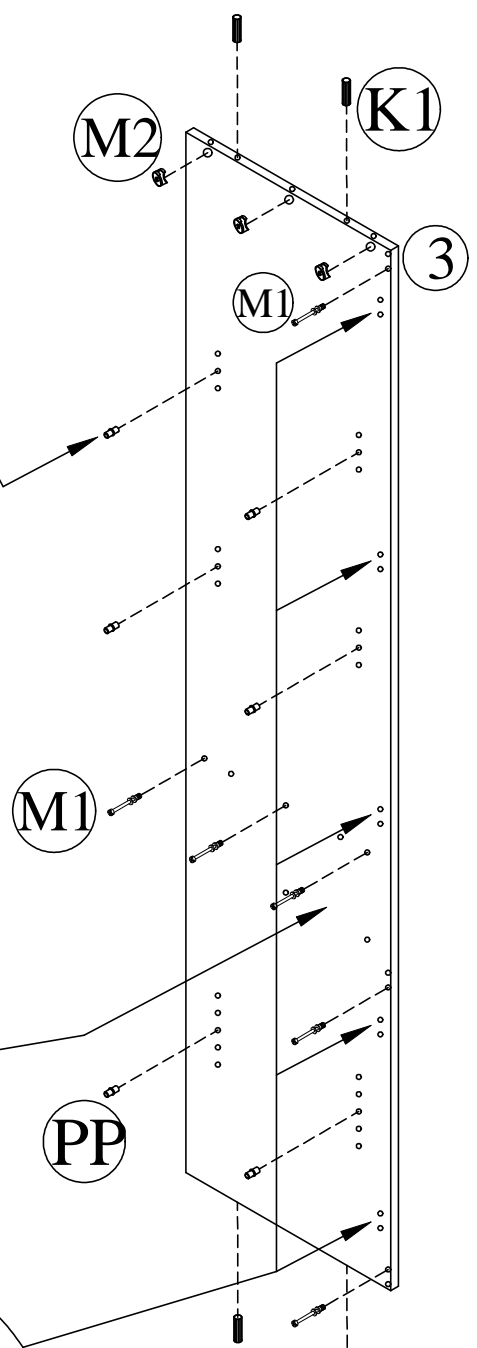
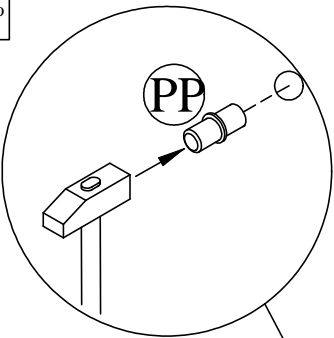
15°



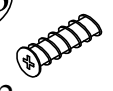
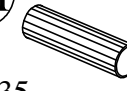

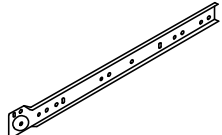
1

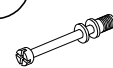



<p>E1</p>  <p>6x9,5 x 2</p>	<p>K1</p>  <p>φ8x35 x 4</p>	<p>M1</p>  <p>x 6</p>	<p>M2</p>  <p>x 3</p>	<p>PP</p>  <p>x 6</p>
<p>P13</p>  <p>x 1</p> <p>L-300</p>		<p>Z2</p>  <p>x 5</p> <p>15°</p>		




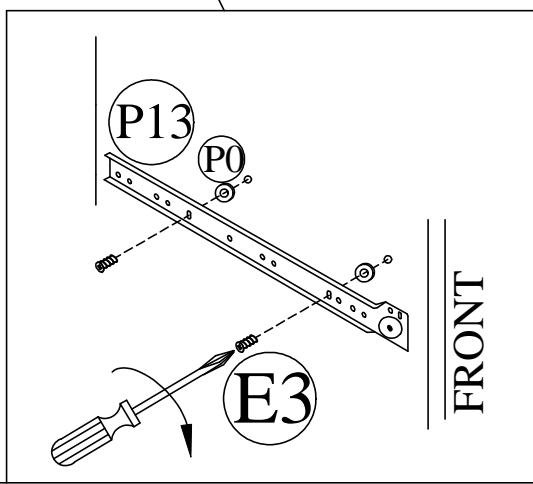
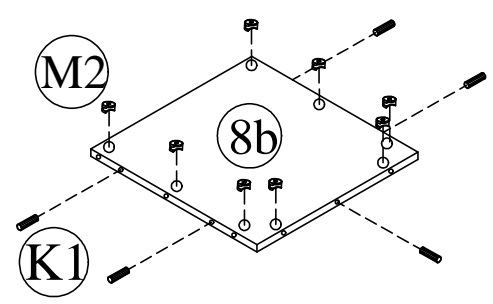
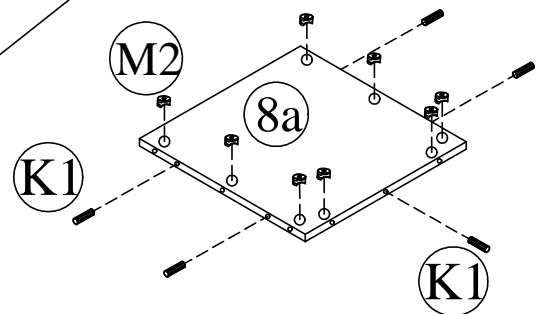
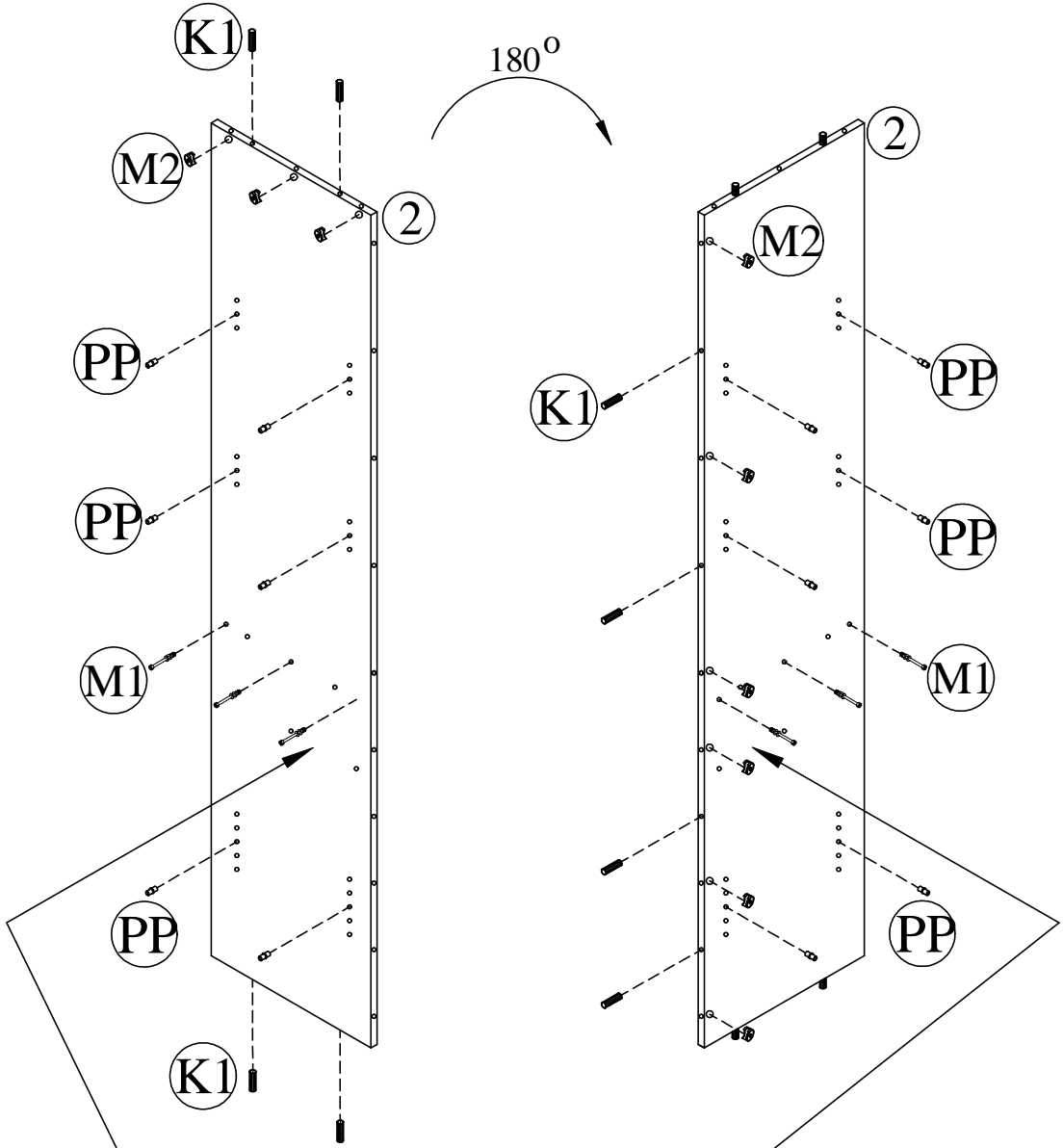
2

E3  L-22 x 4	K1  $\phi 8 \times 35$ x 18	P0  x 2 13mm	P13  x 2 L-300
---	---	--	--

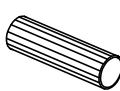
M1  x 6
--

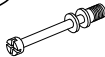
M2  x 25


PP  x 12

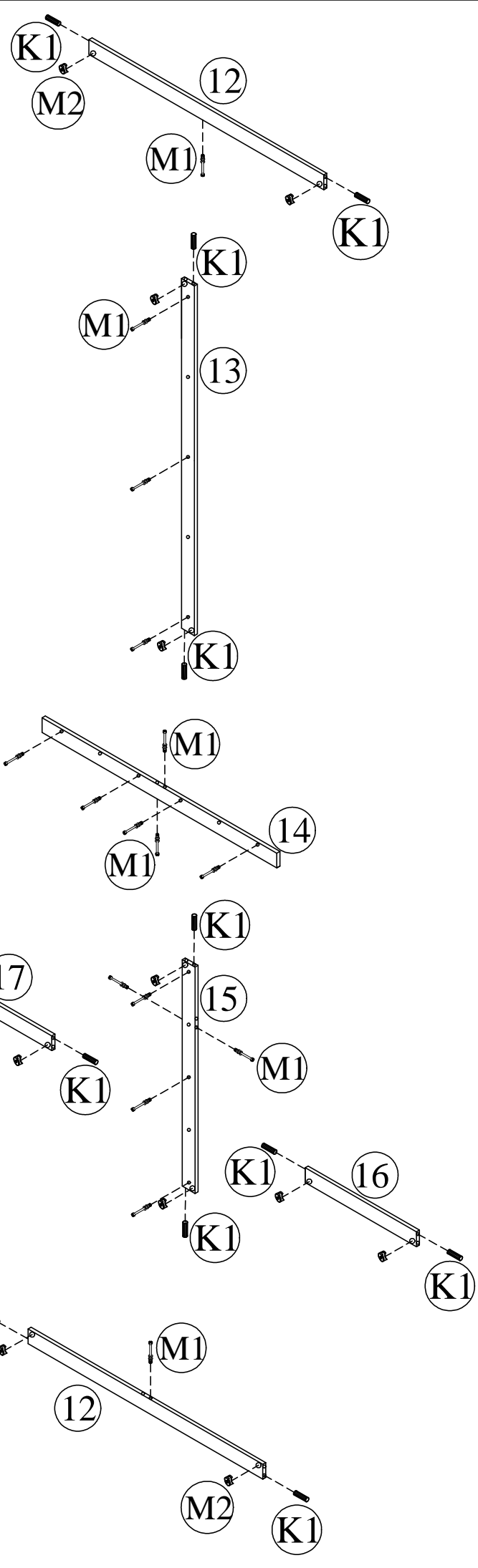


3

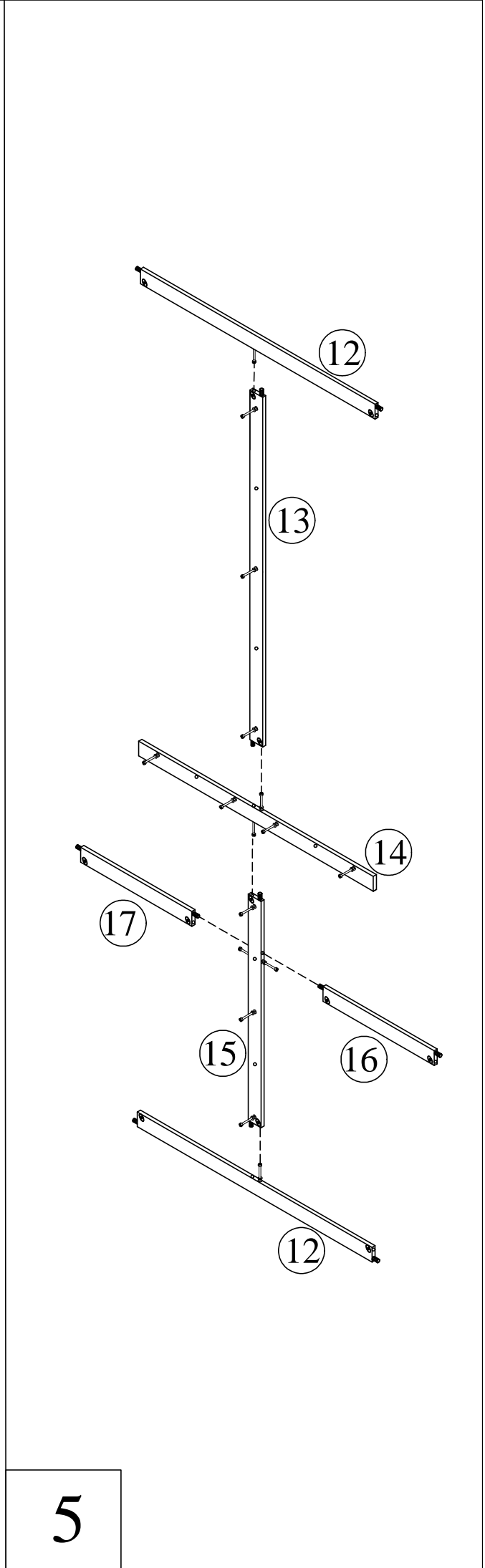
(K1)

 $\phi 8 \times 35$
 x 12

(M1)

 x 16

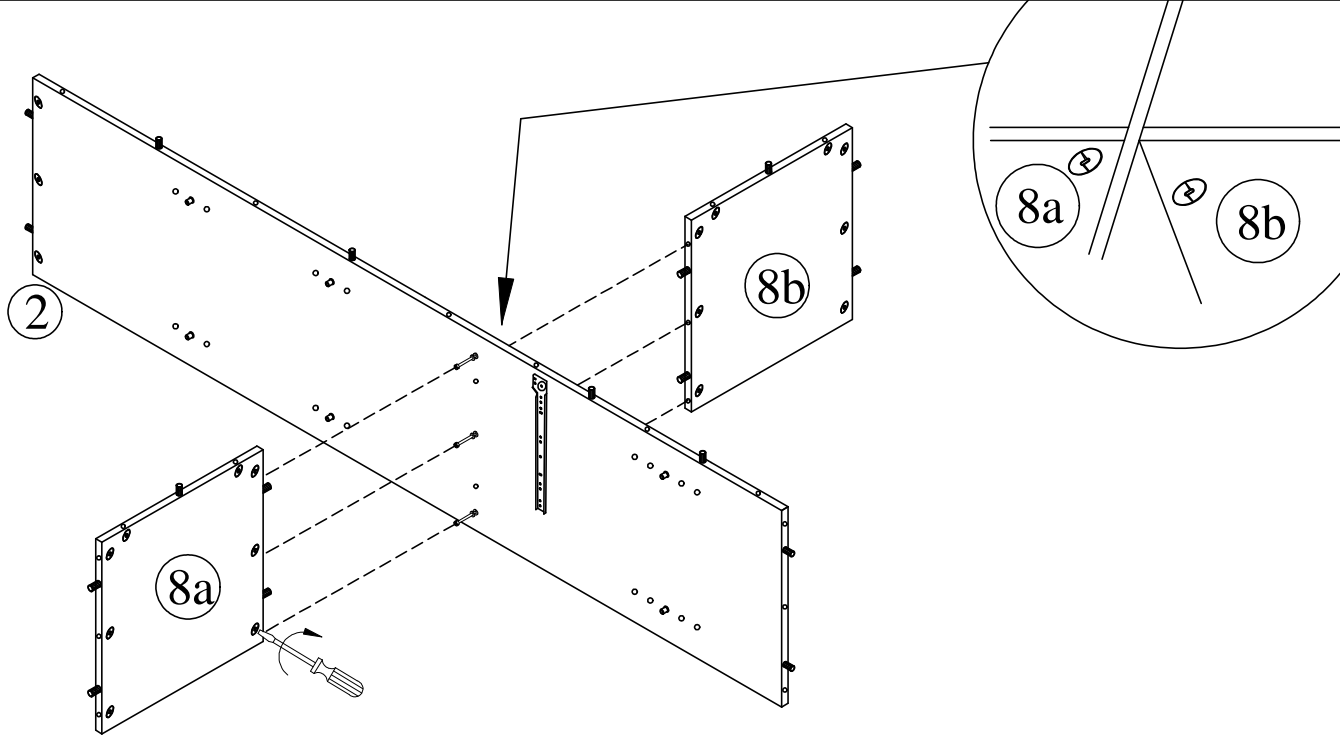
(M2)

 x 12



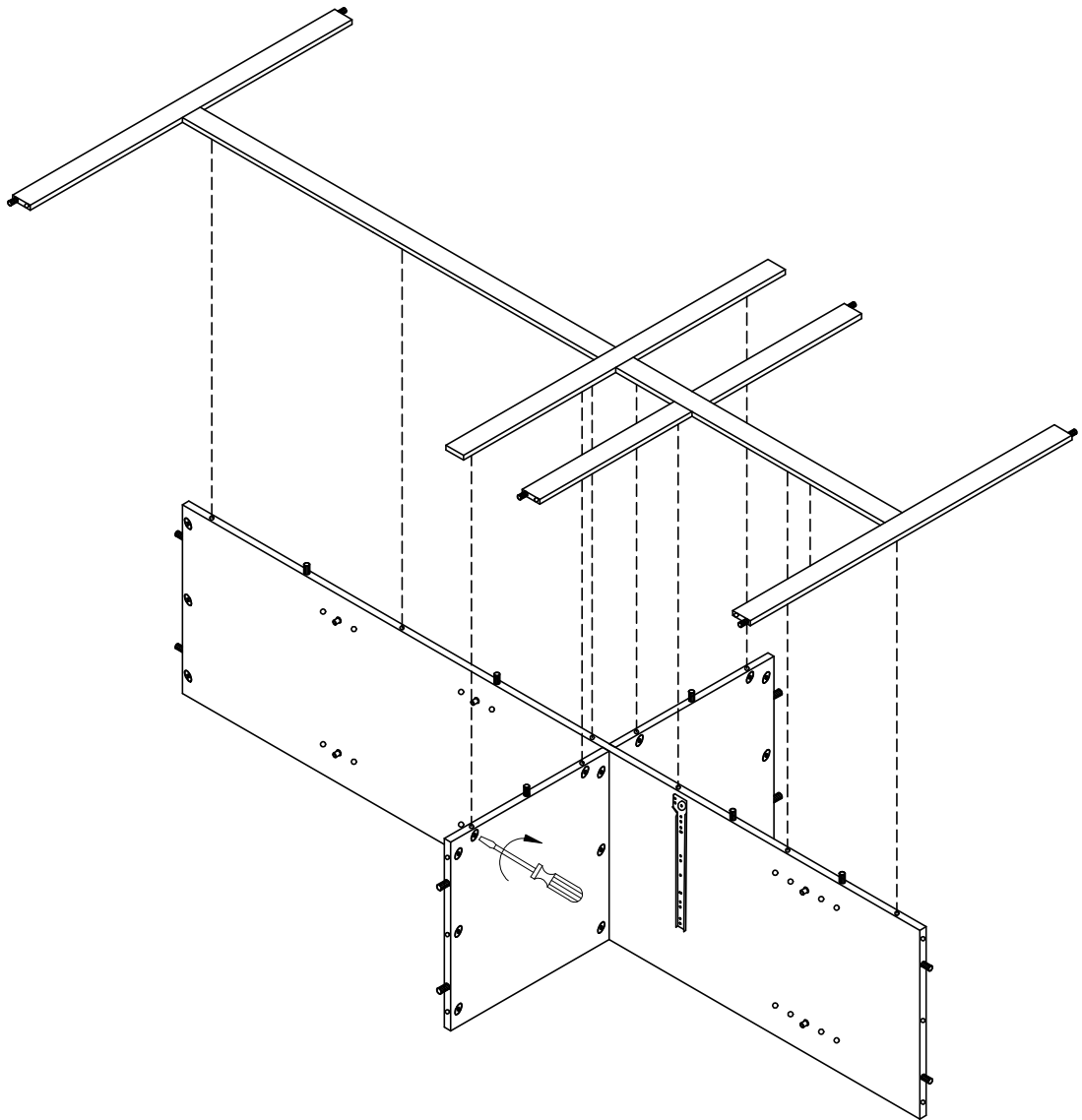
4



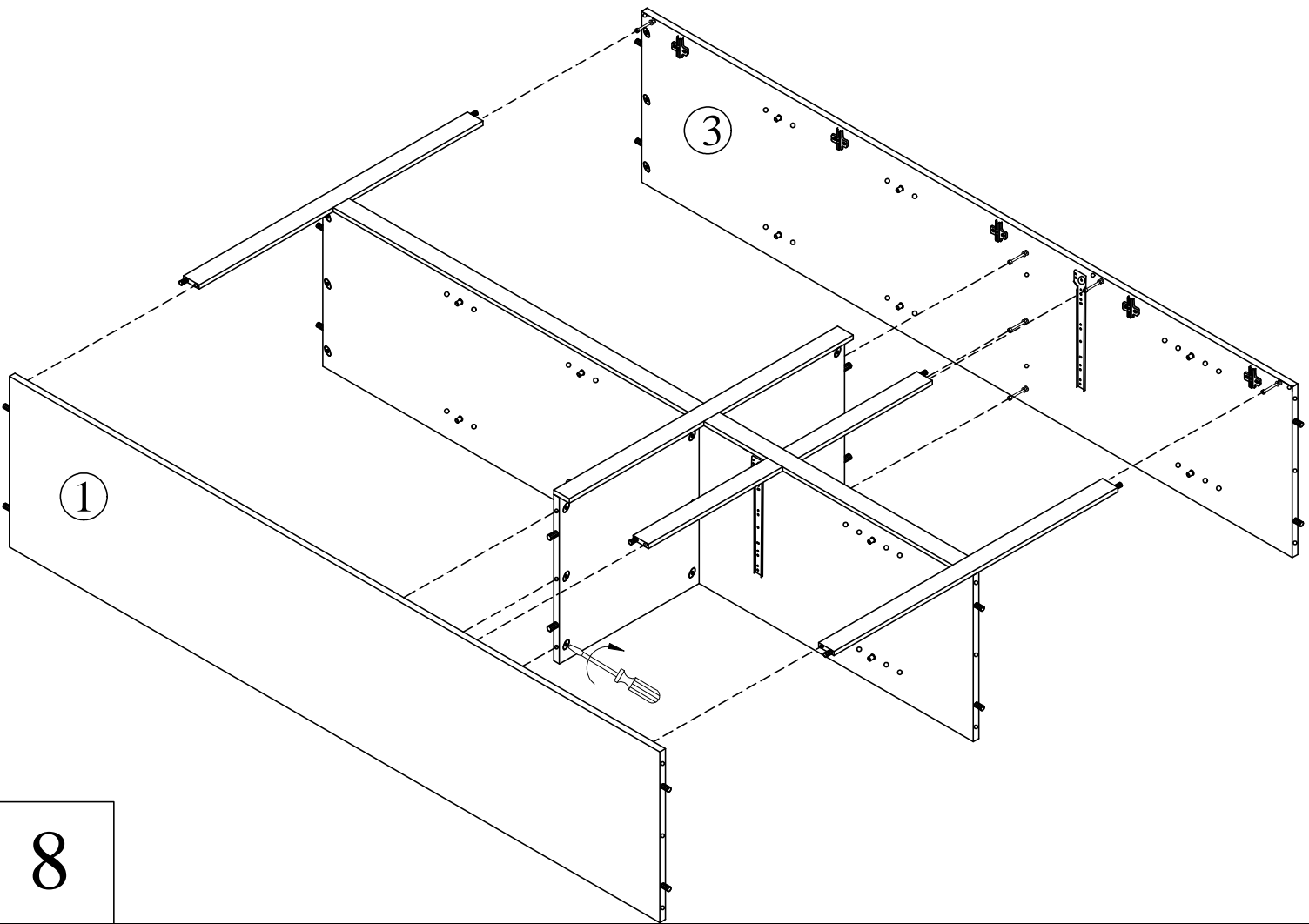
5



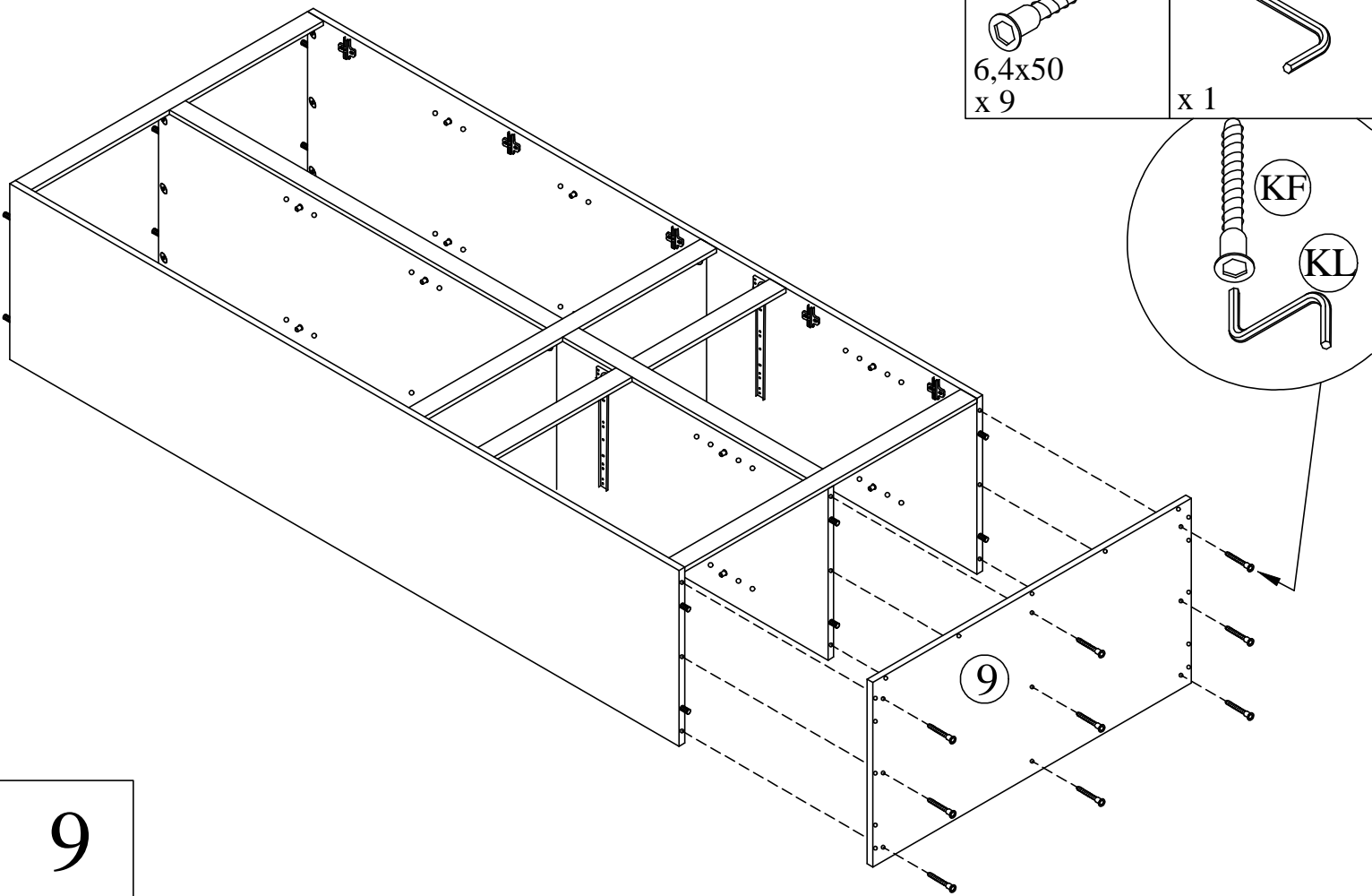
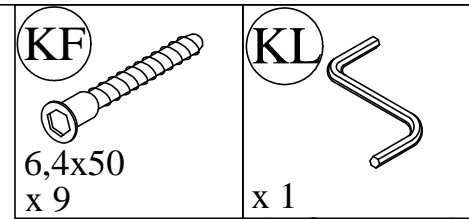
6



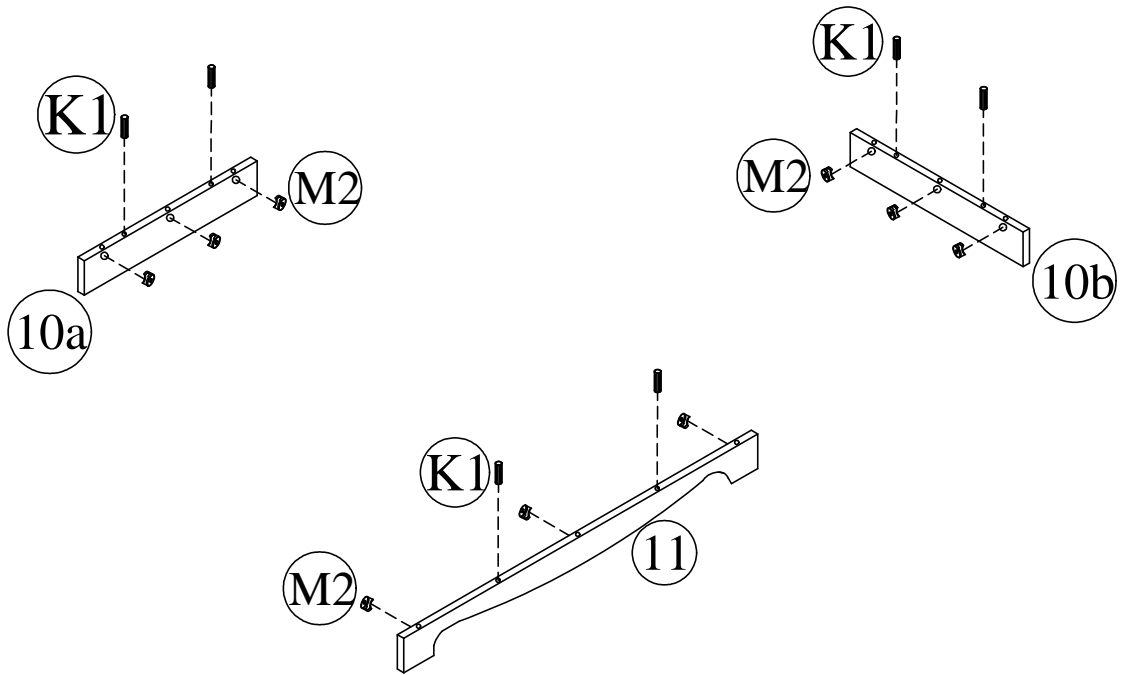
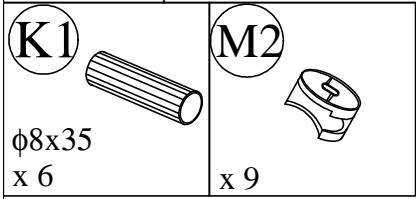
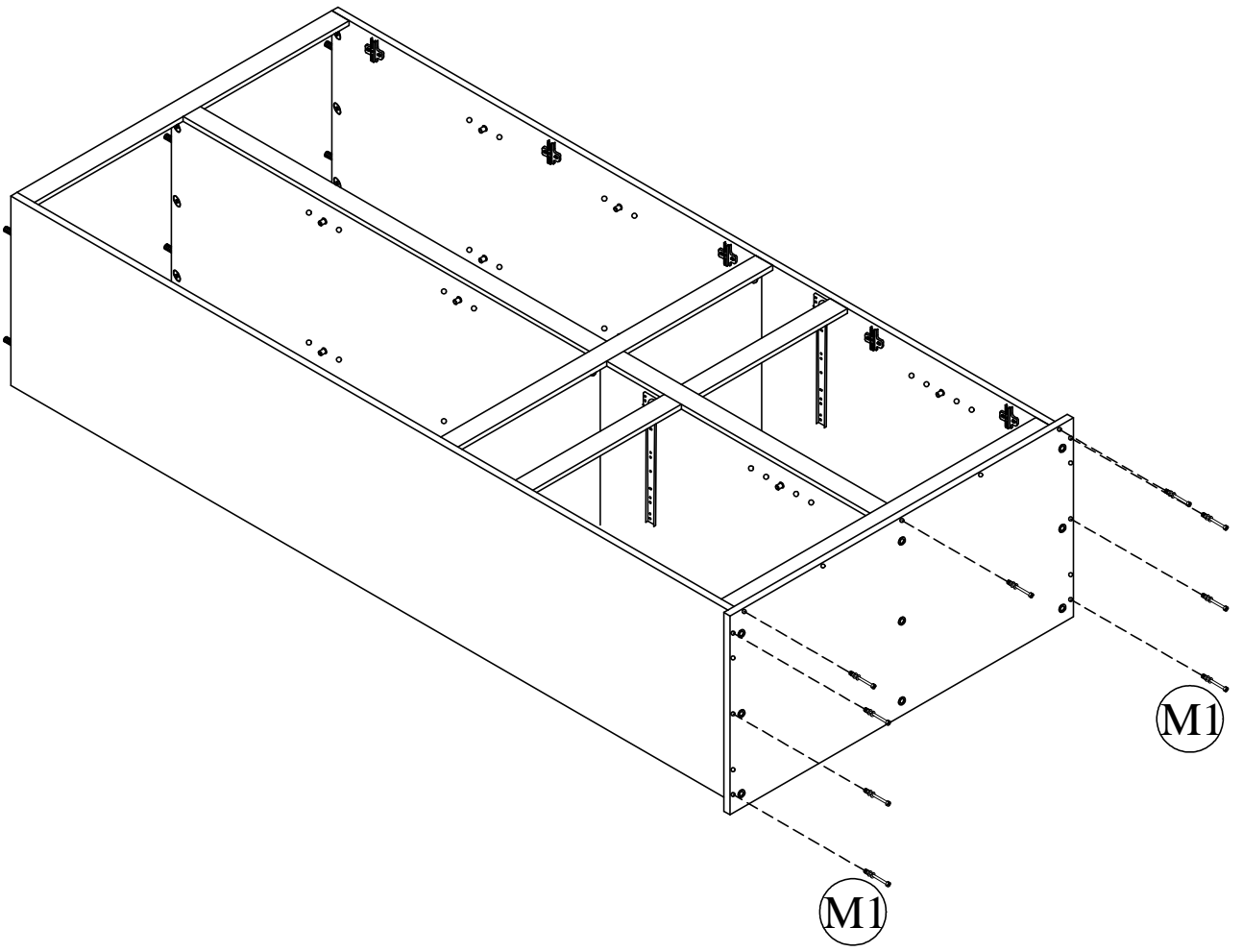
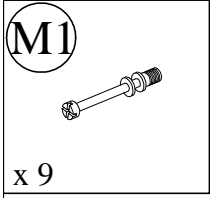
7



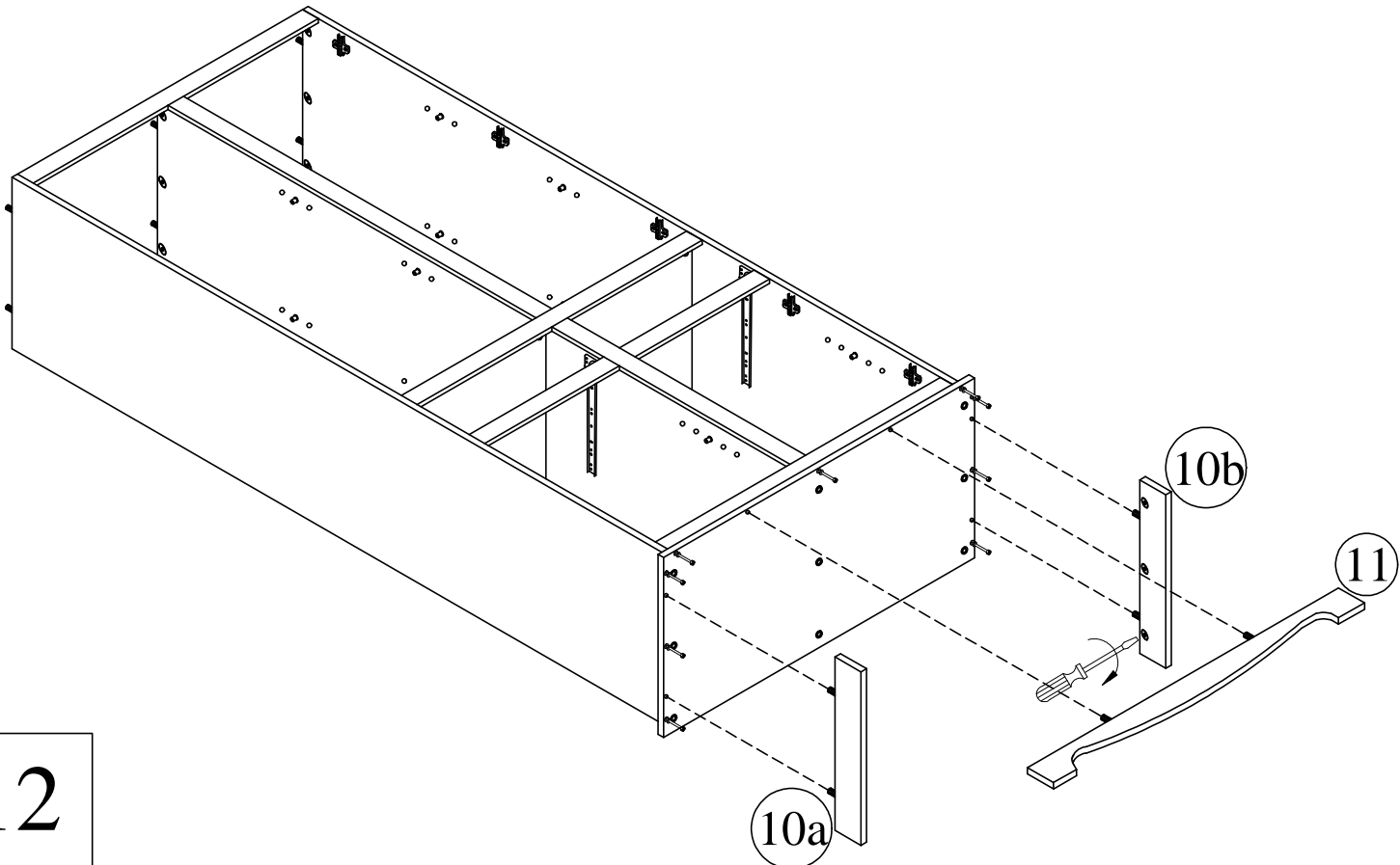
8



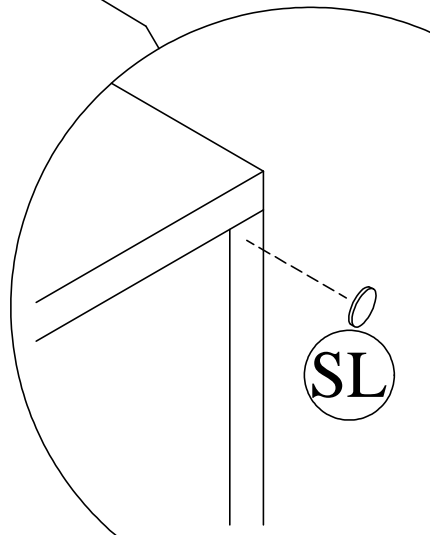
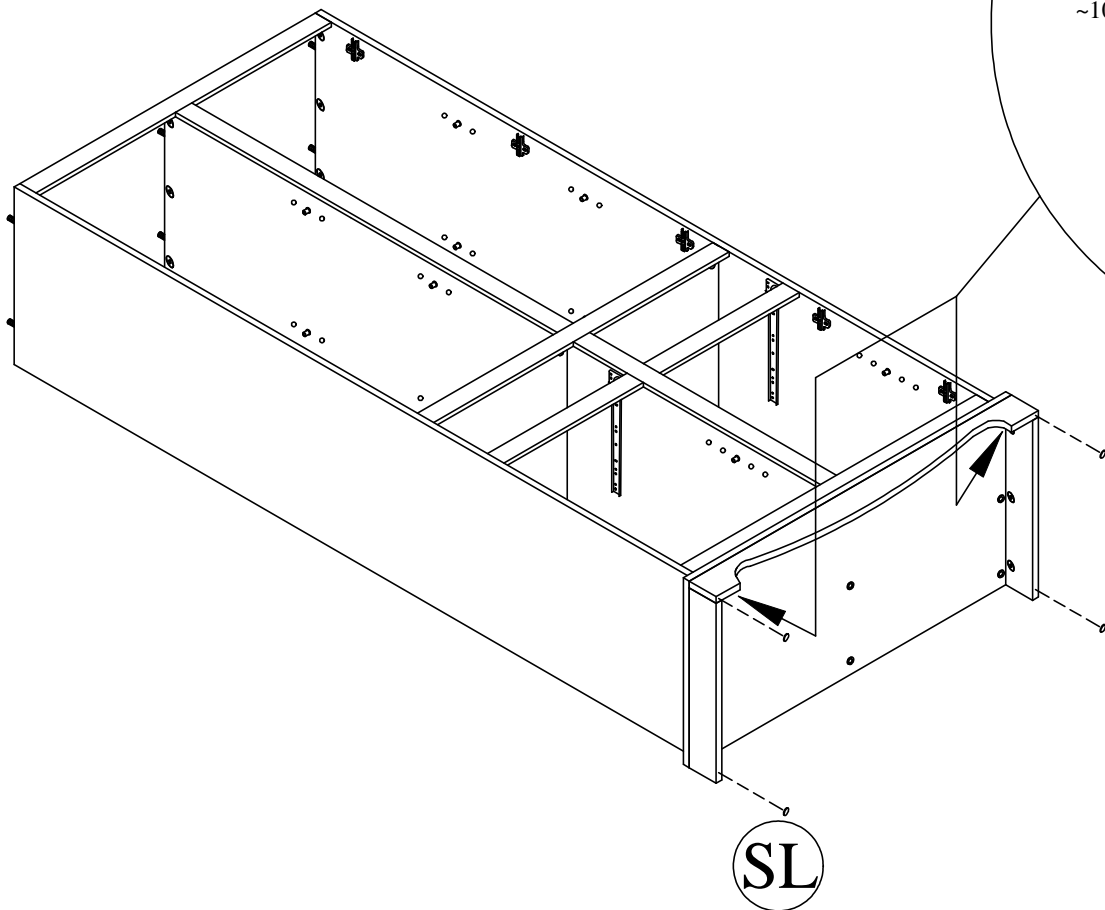
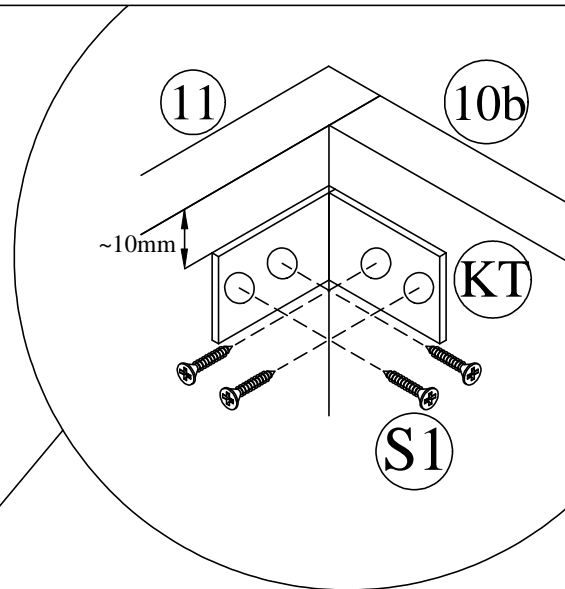
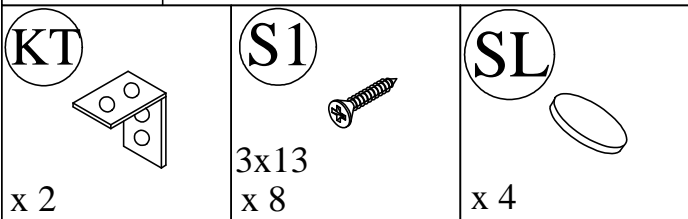
9



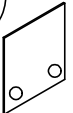

11

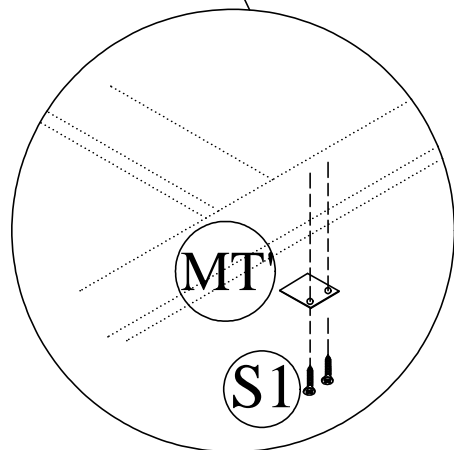
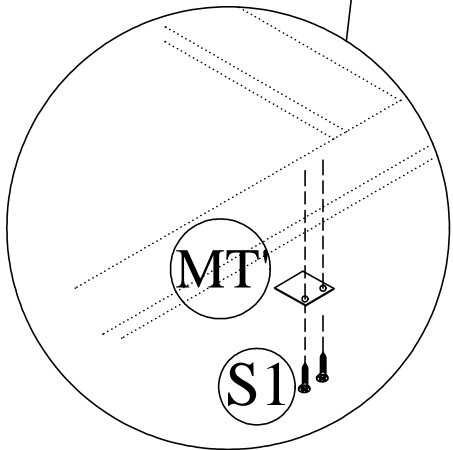
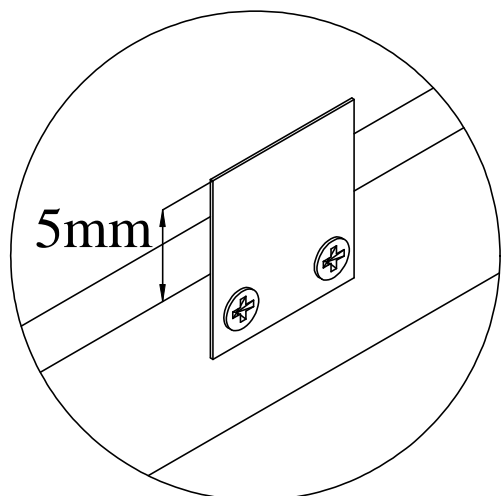
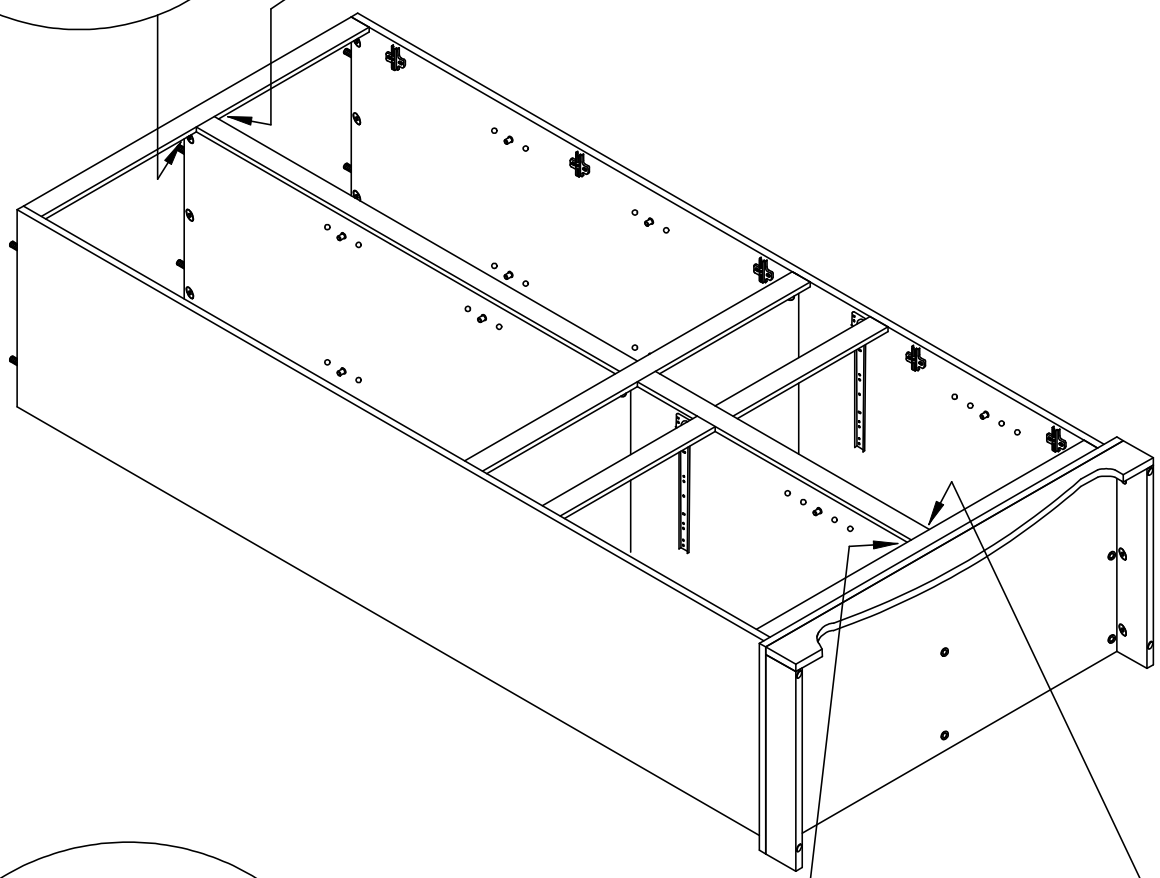
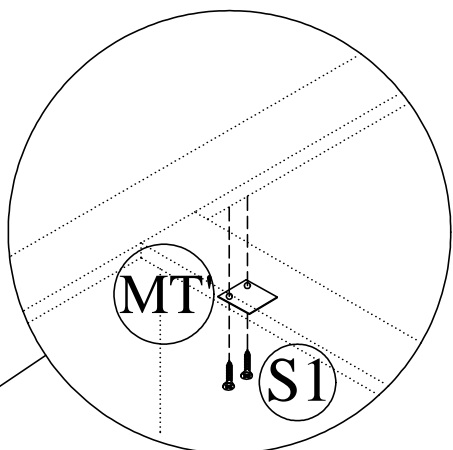
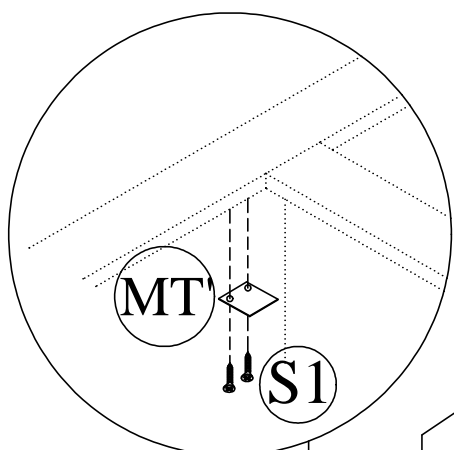


12

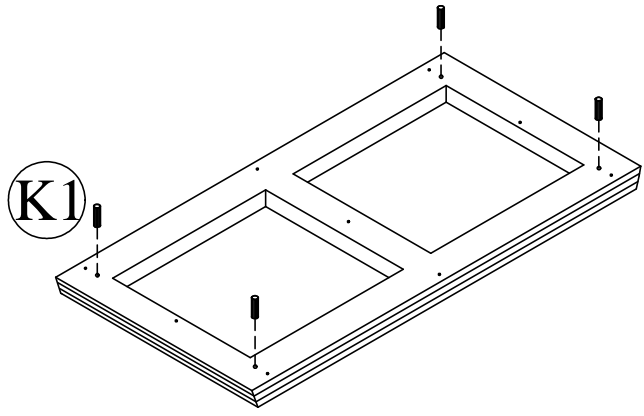
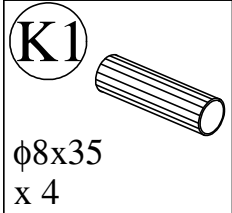


13

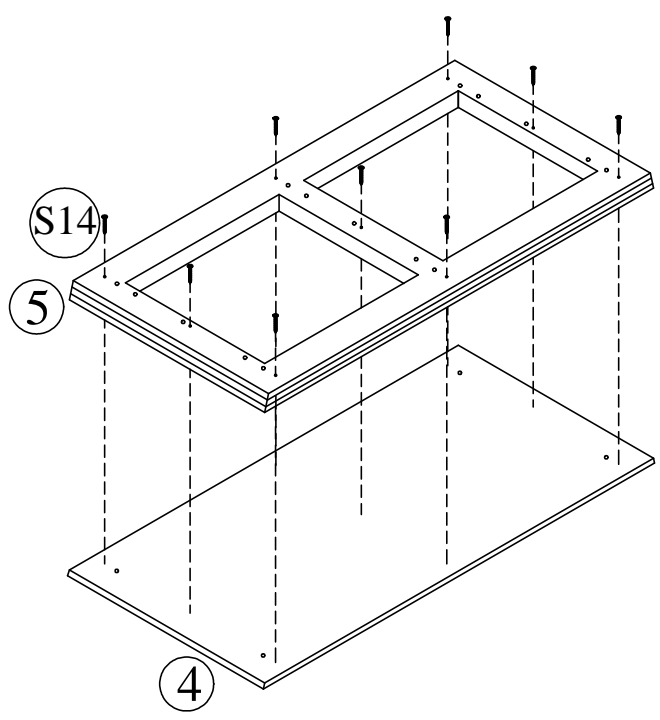
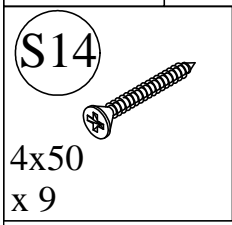
 <p>MT'</p> <p>x 4</p>	 <p>S1</p> <p>3x13 x 8</p>
---	---



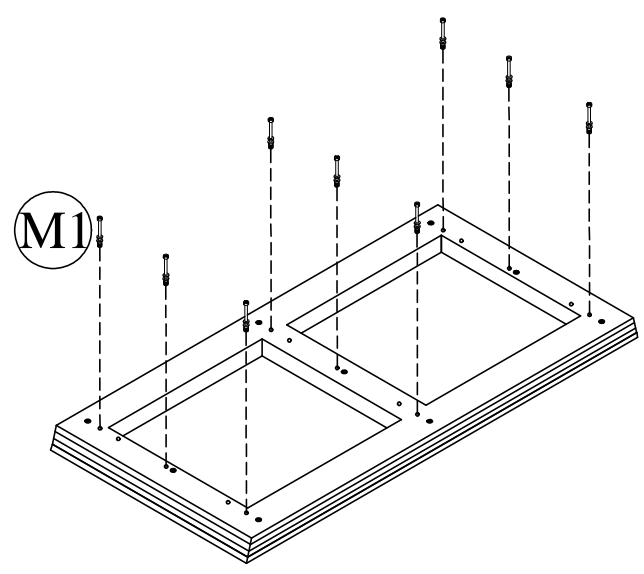
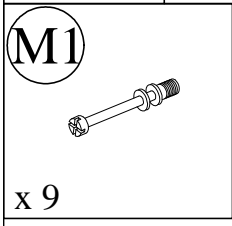
14



15

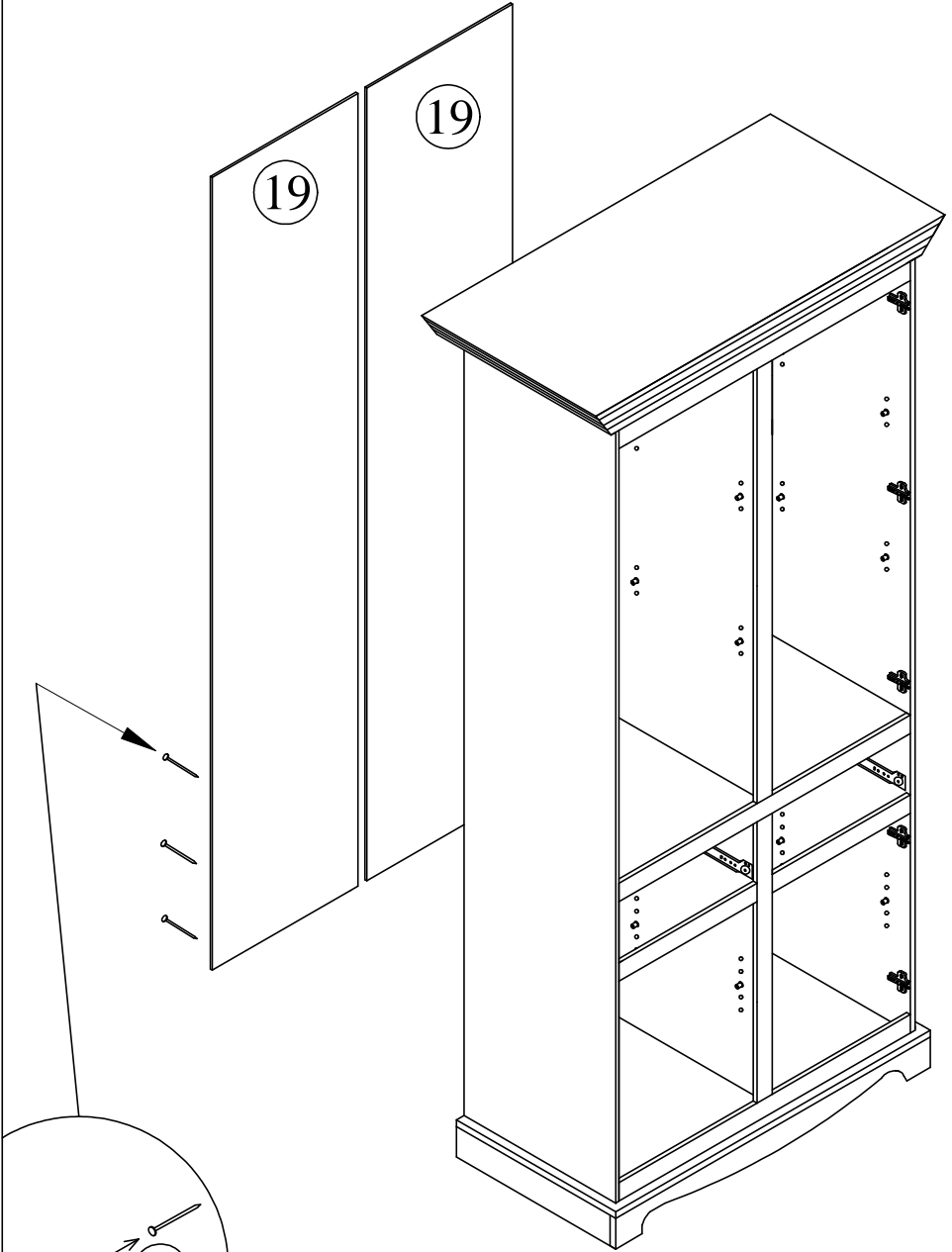
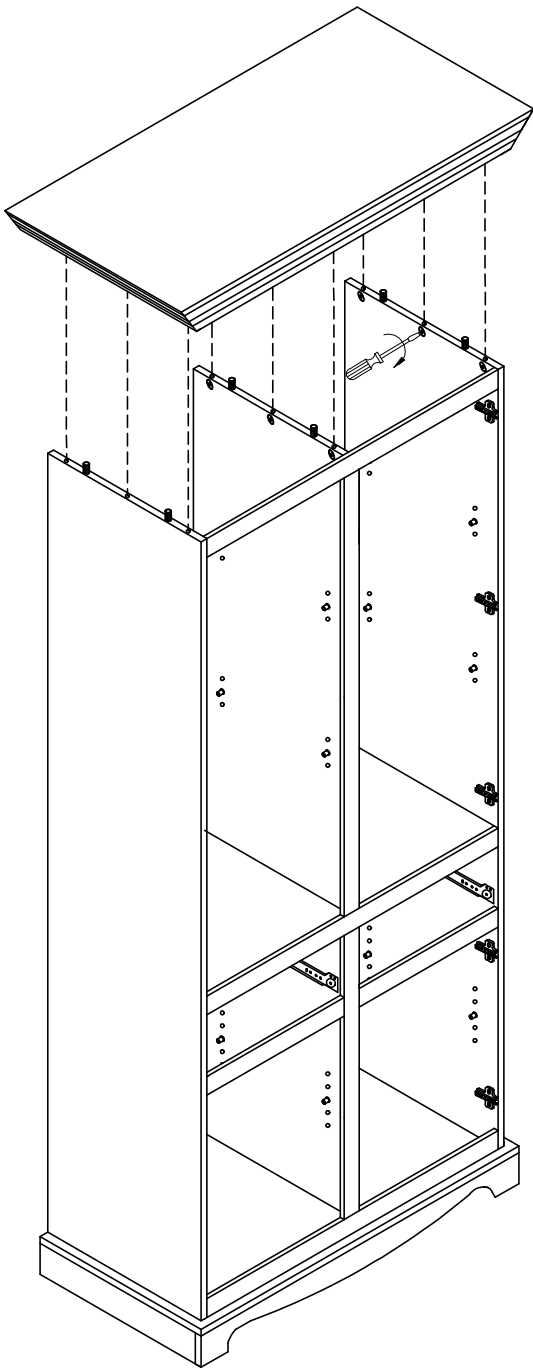


16



17

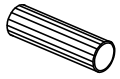
GW
x 1



18

19

K1



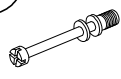
φ8x35
x 4

L



x 1

M1

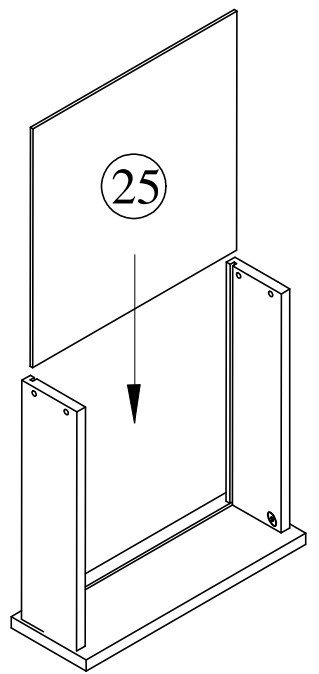
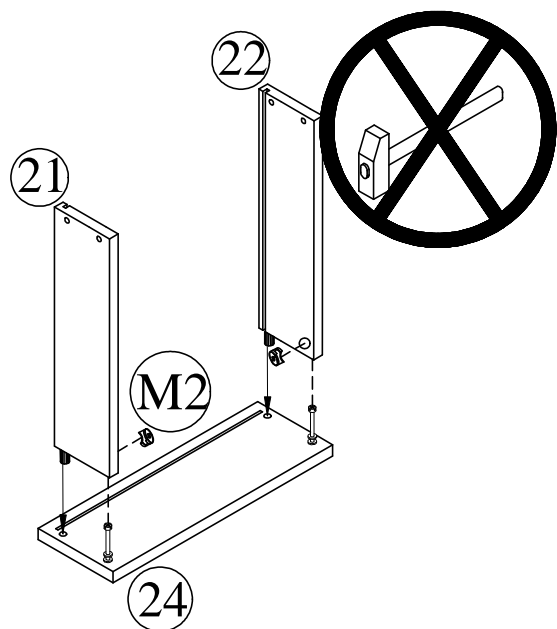
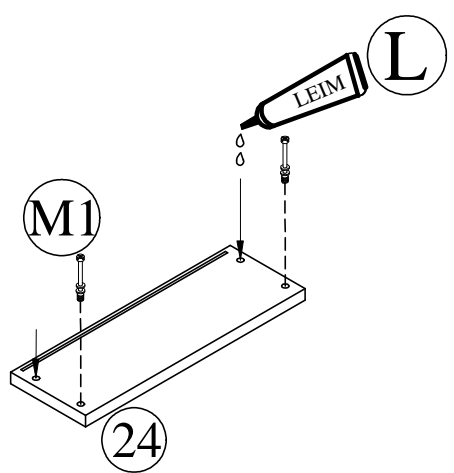
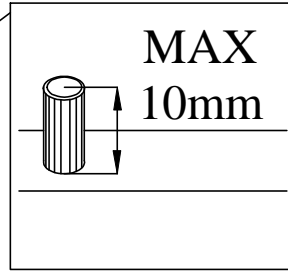
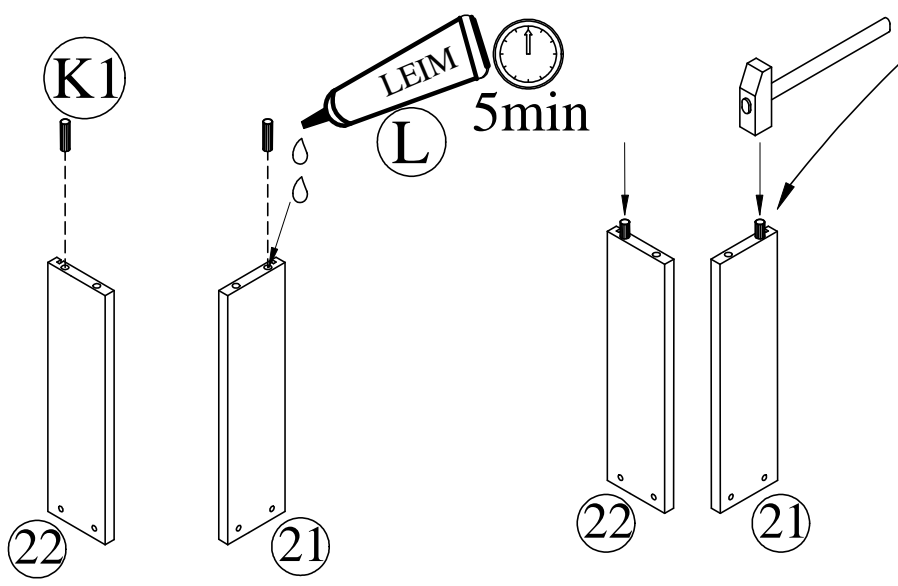


x 4

M2



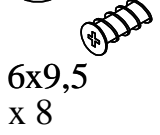
x 4



20

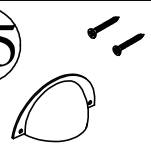
x2

E1



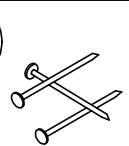
6x9,5
x 8

G5



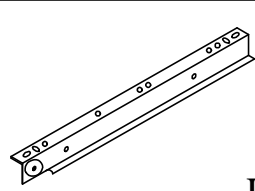
x 2

GW



x 1

P14



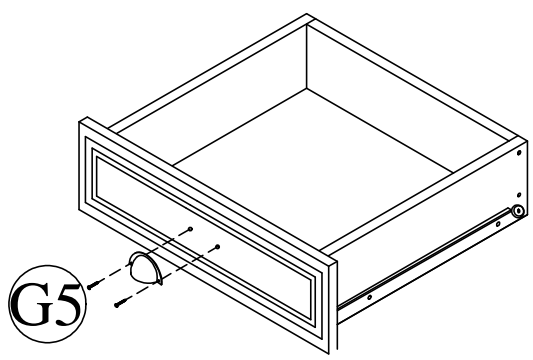
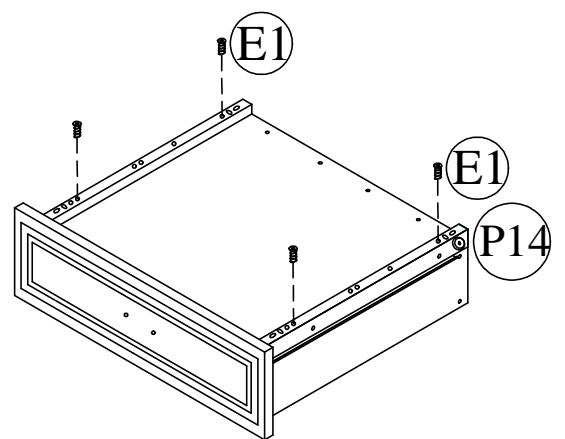
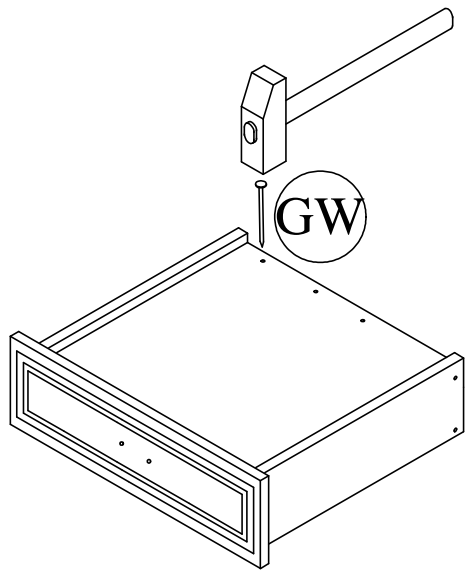
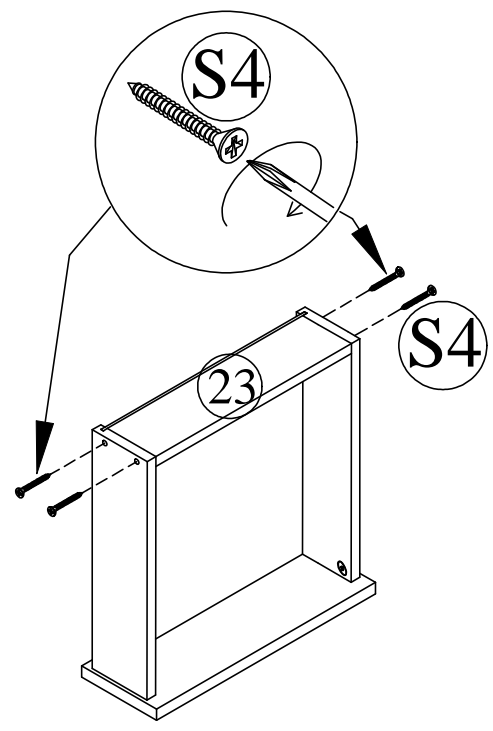
x 4

S4



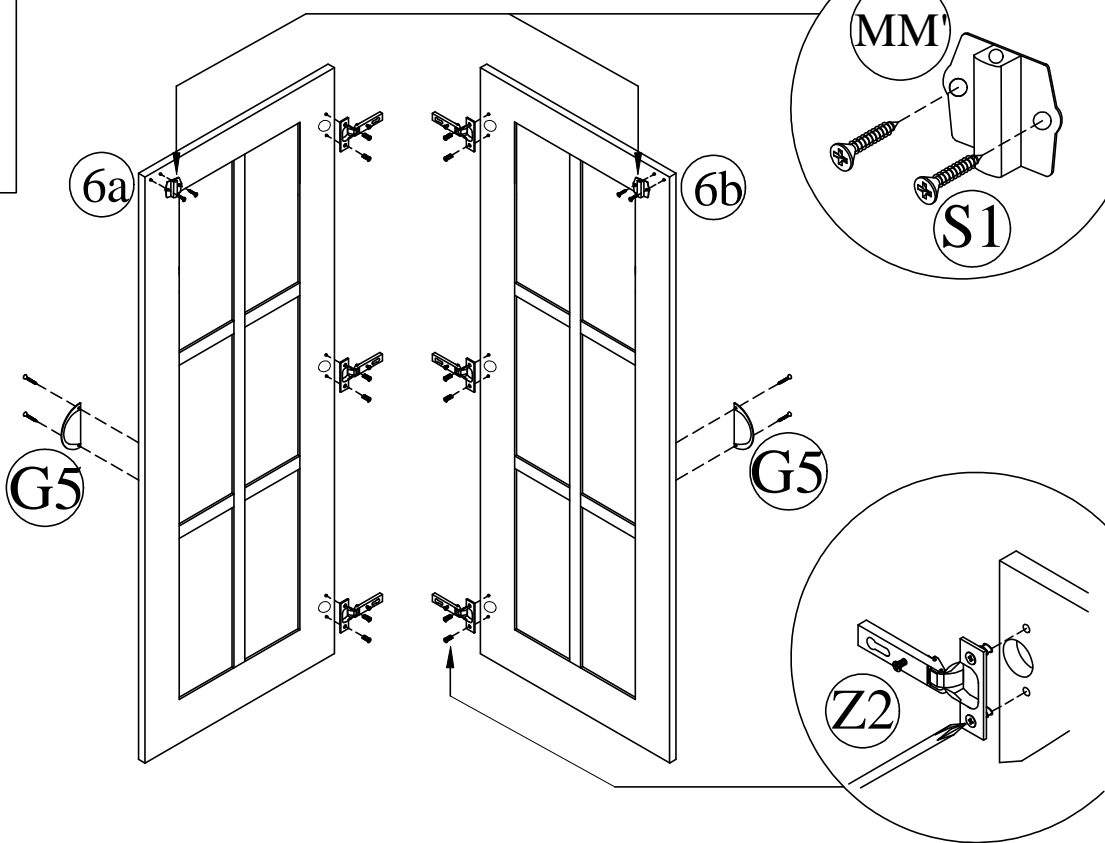
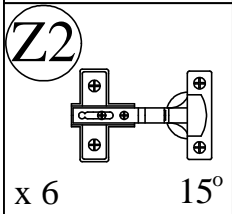
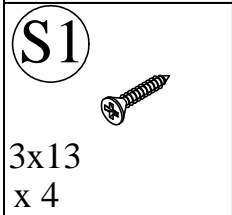
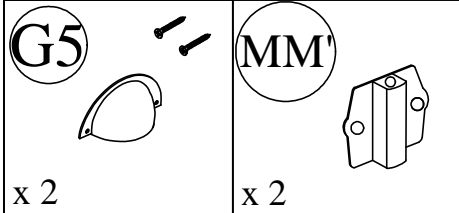
3x30
x 8

L-300

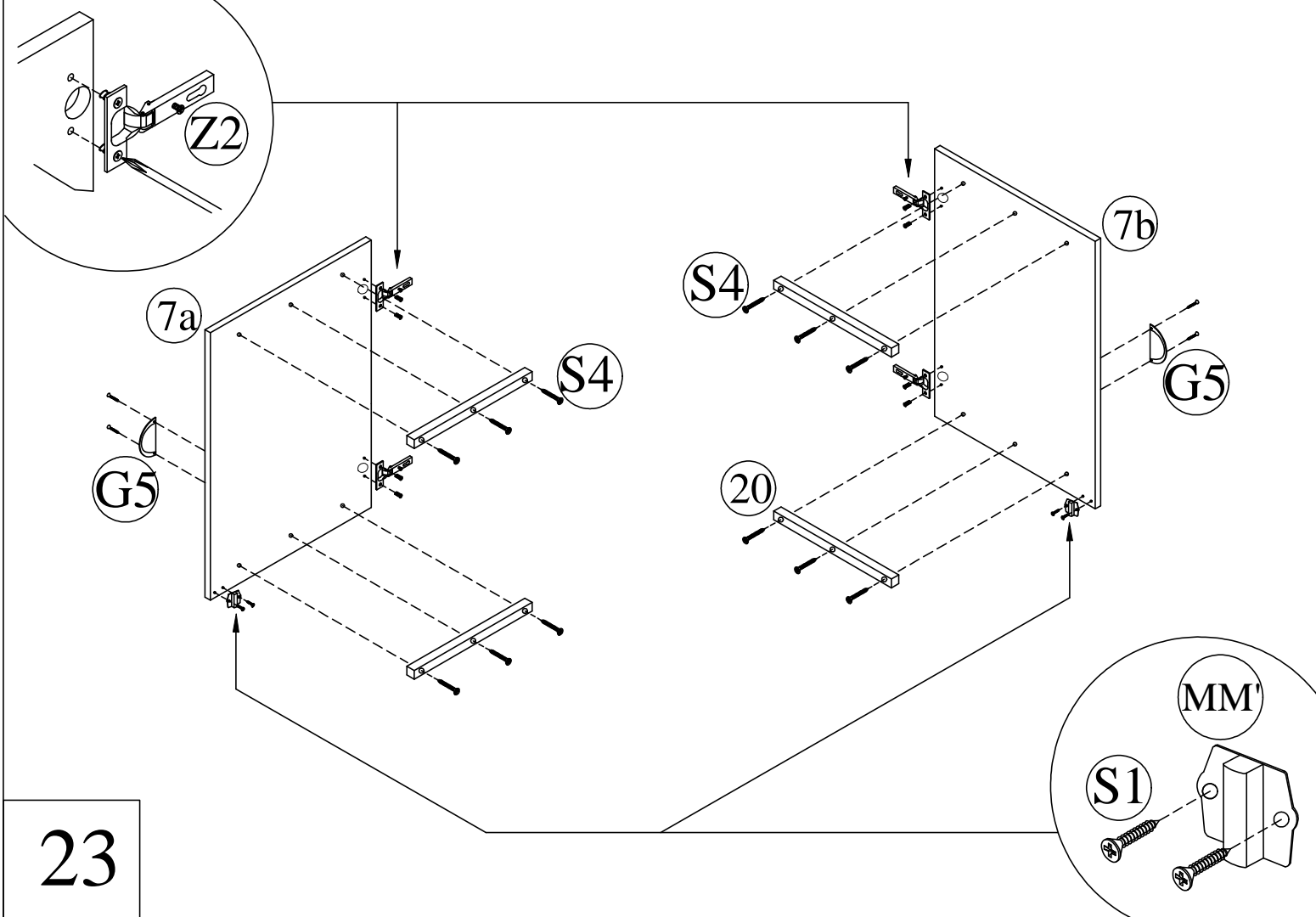
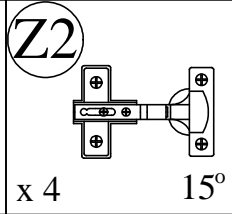
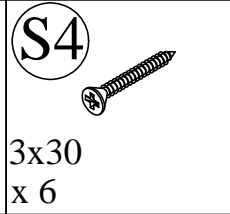
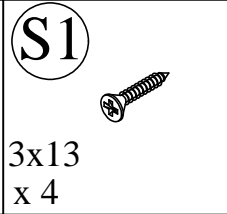
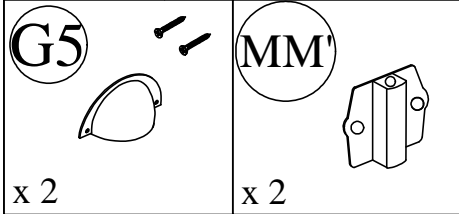


21

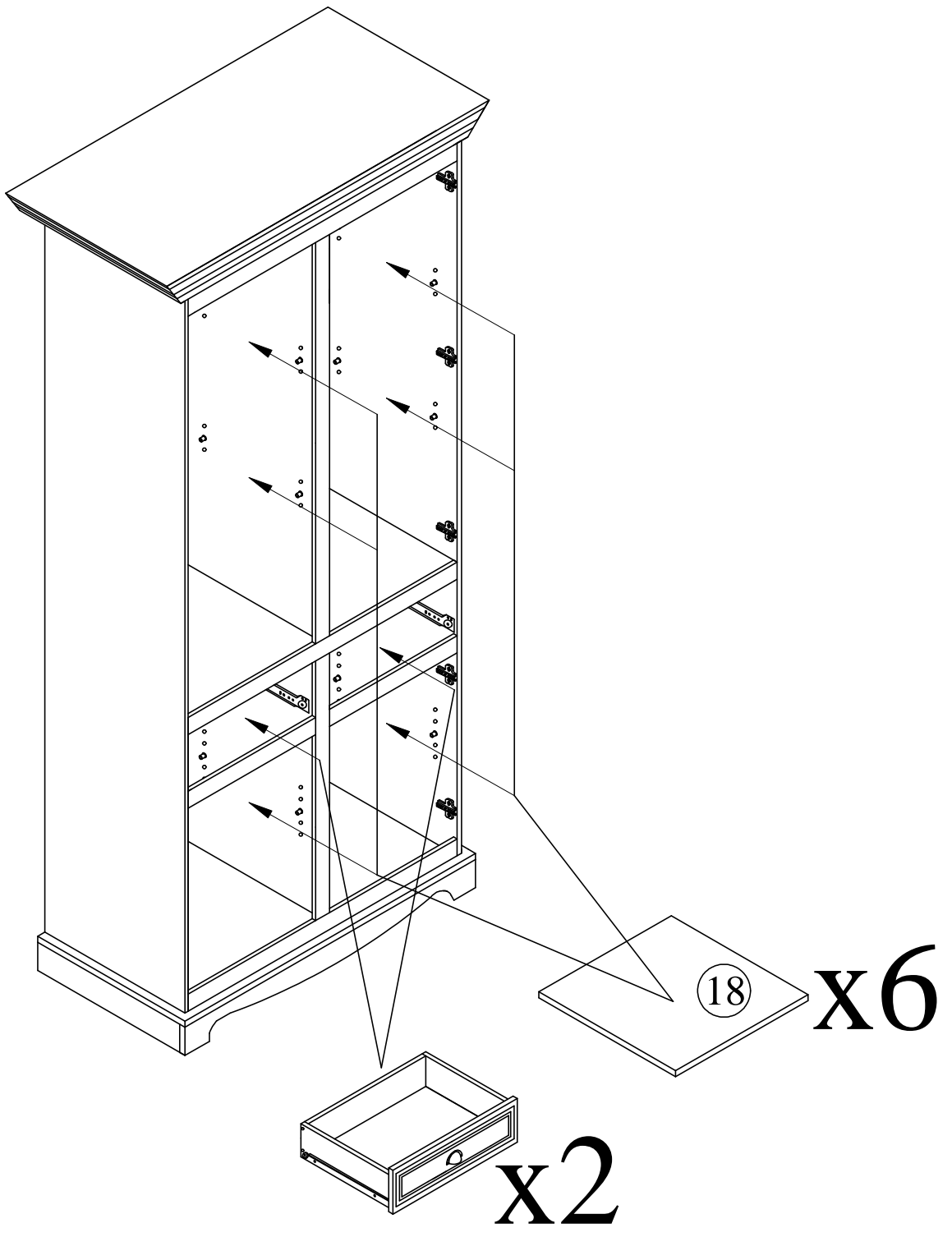
x2

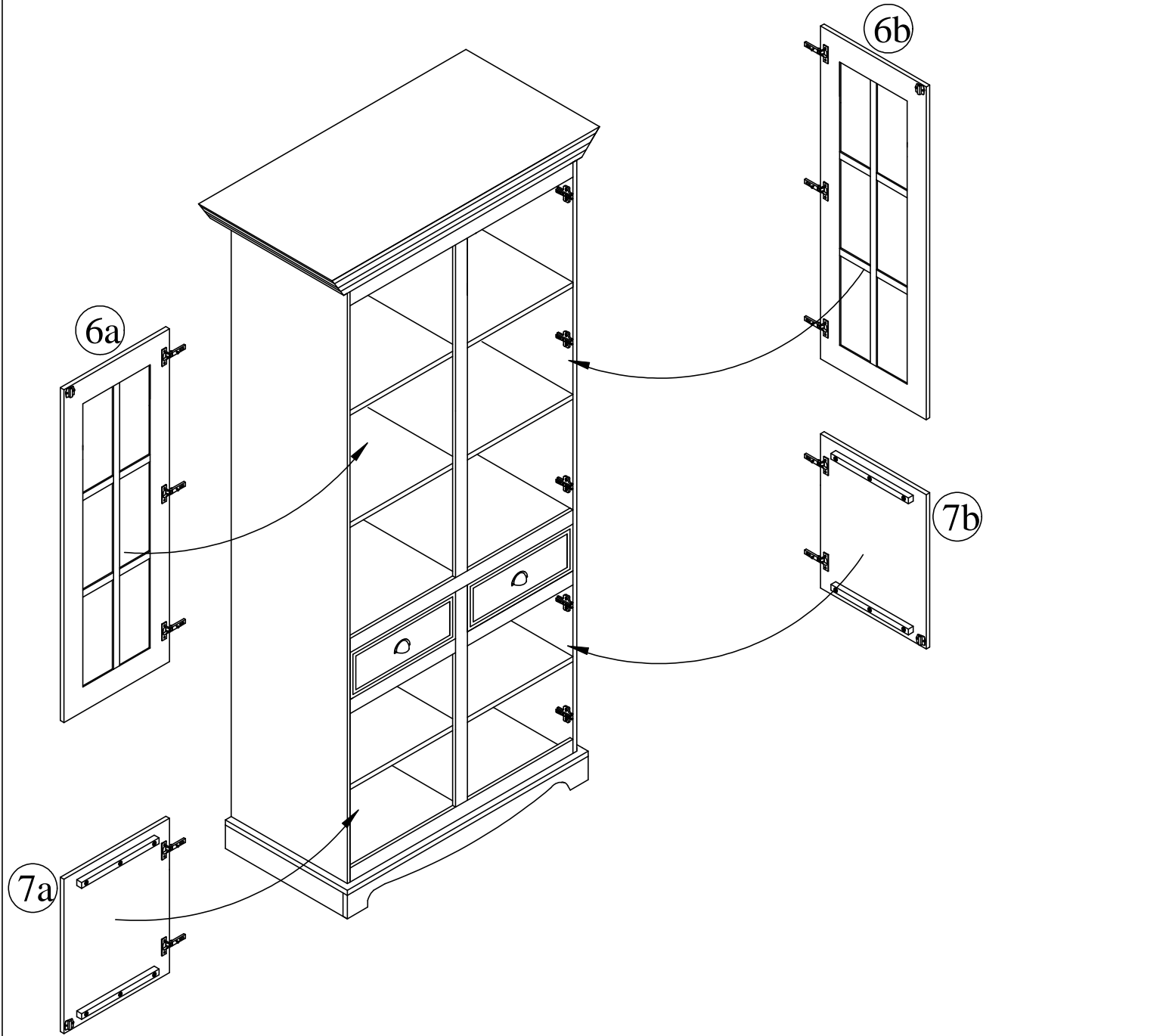


22

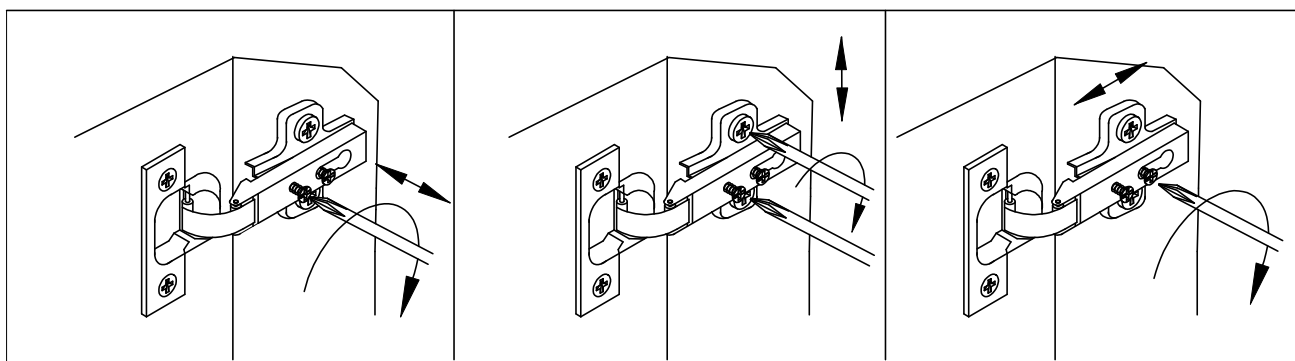


23

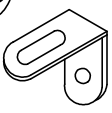




25

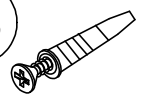


BS



x 1

KS



4x45

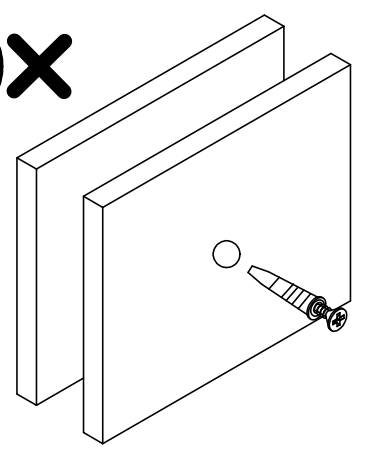
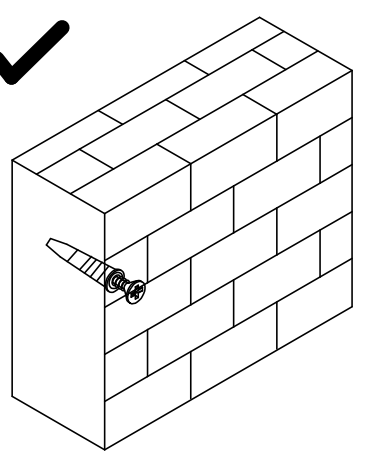
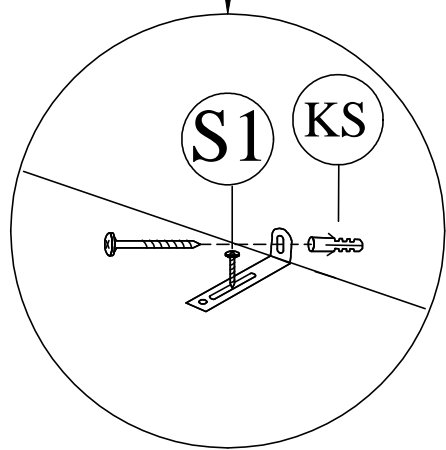
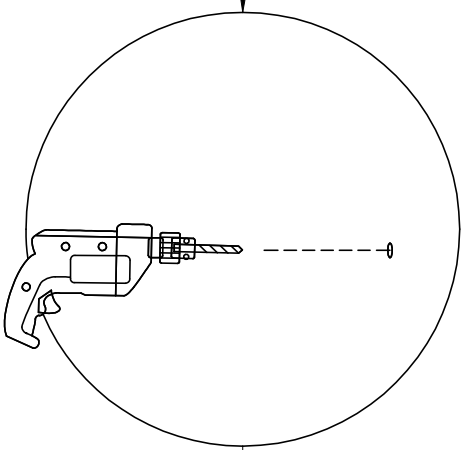
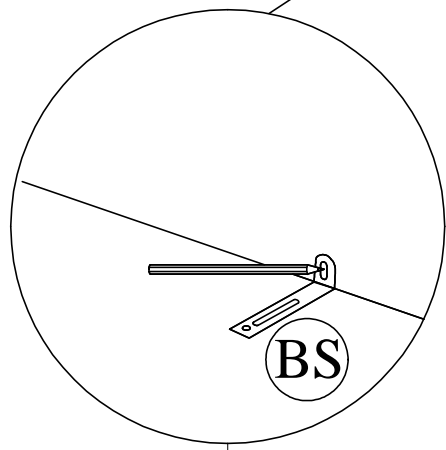
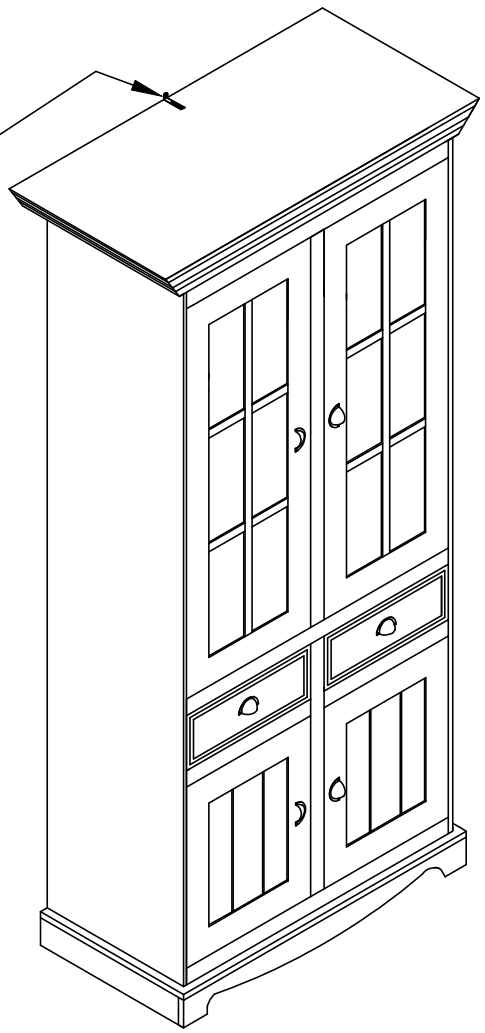
x 1

S1



3x13

x 1



26