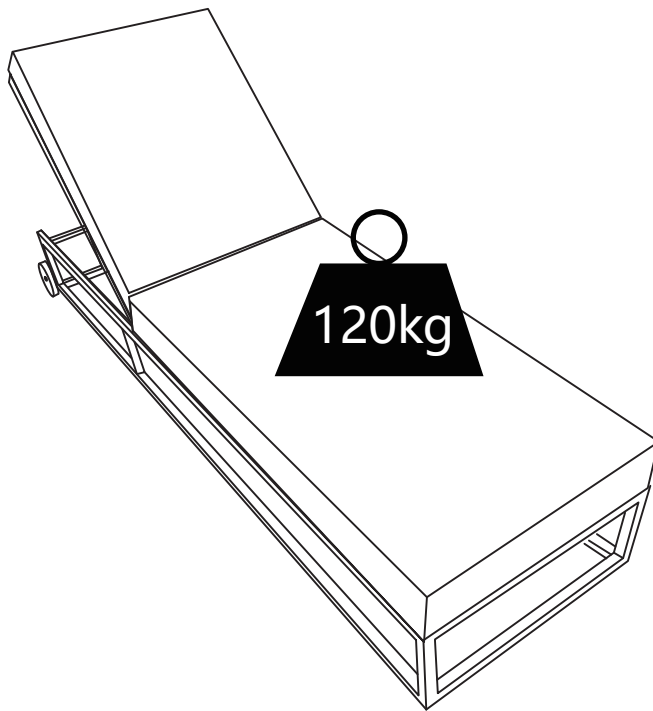
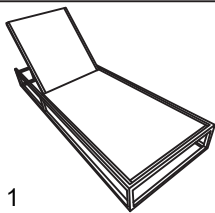
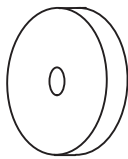
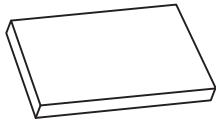
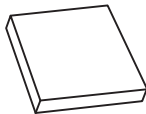
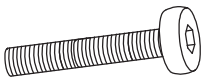



20690044/01

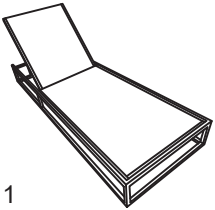
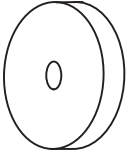

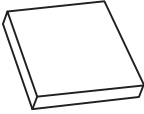
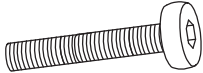



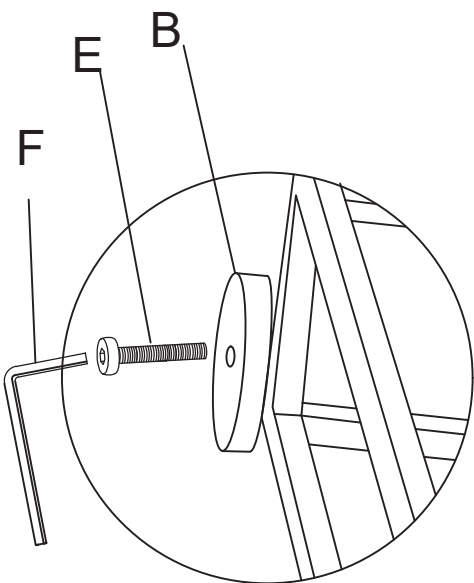
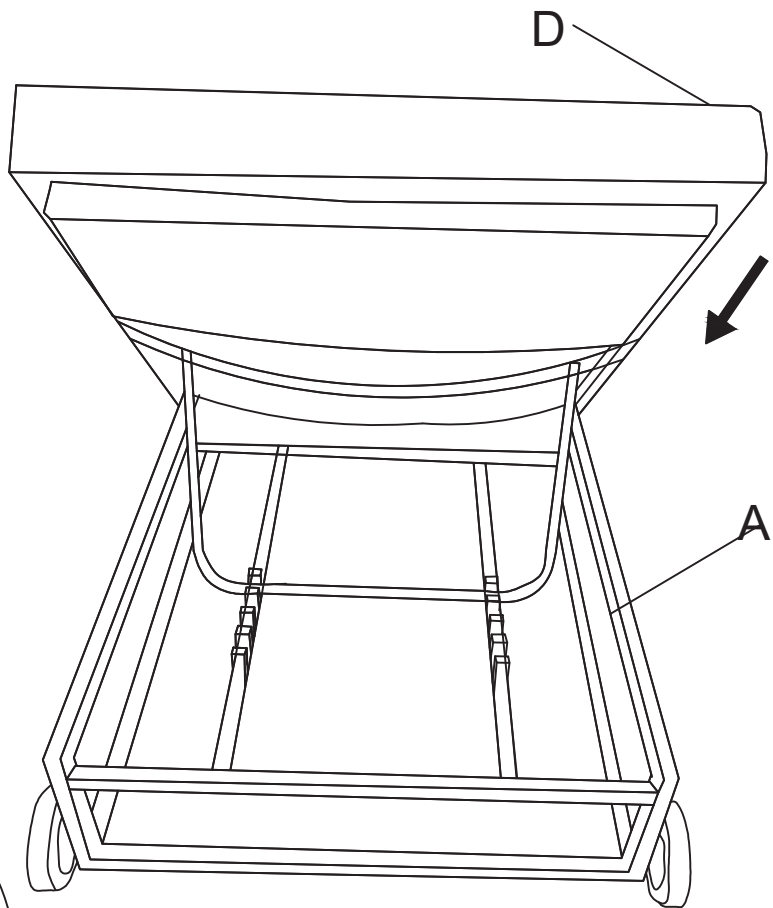
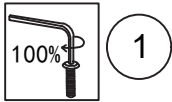
**BERRY**  
XXXLutz KG  
Roemerstrasse 39 AT-4600  
Wels Austria  
**BESSAGI**  
GARDEN

|   |  |   |  |
|---|--|---|--|
|  <p>A * 1</p>            |  <p>B * 2</p> |  <p>C * 1</p> |  <p>D * 1</p> |
|  <p>E * 2    M8*50mm</p> |  <p>F * 1</p> |   |  |

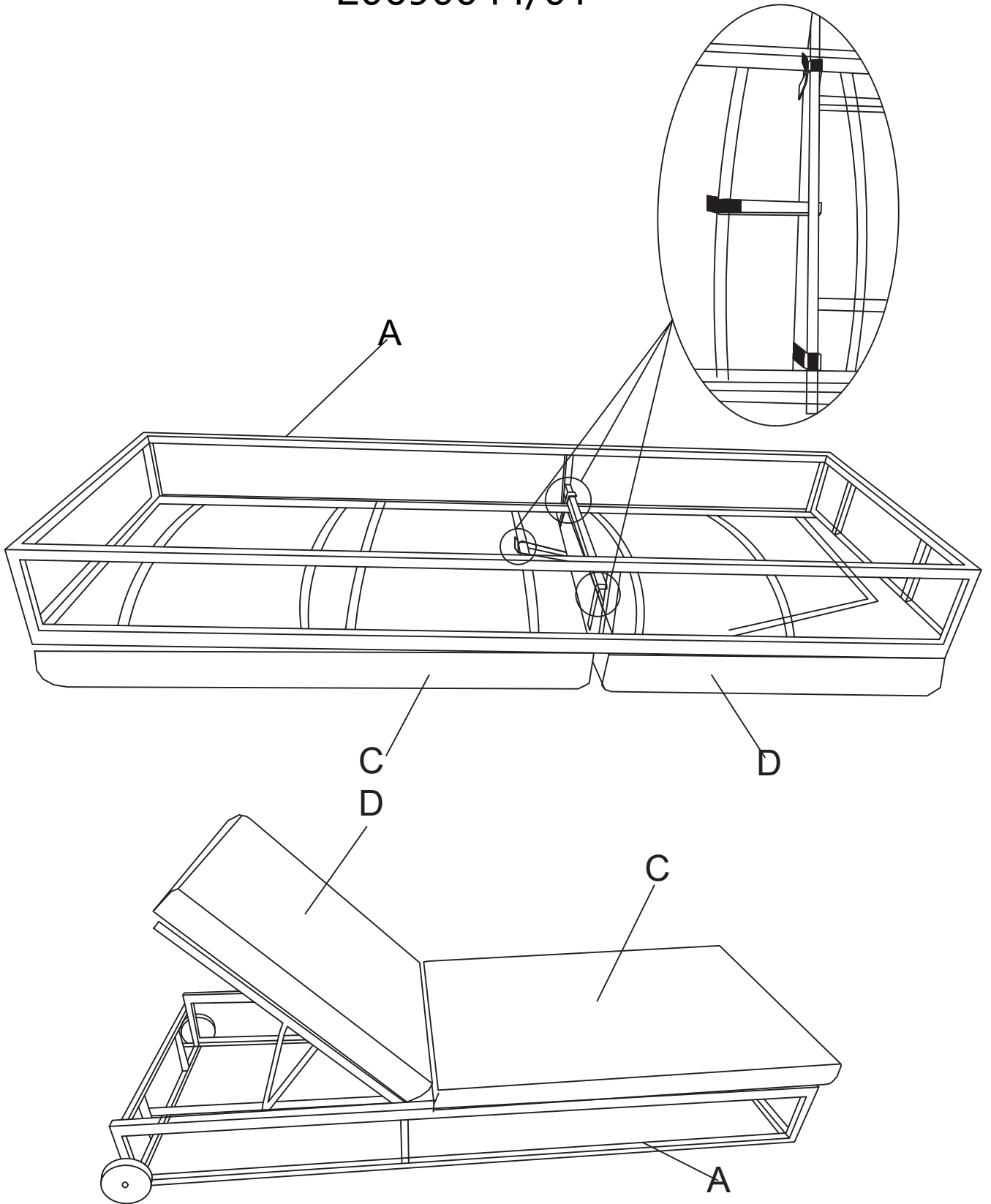


# 20690044/01

|   |  |   |  |
|---|--|---|--|
|  <p>A * 1</p>            |  <p>B * 2</p> |  <p>C * 1</p> |  <p>D * 1</p> |
|  <p>E * 2    M8*50mm</p> |  <p>F * 1</p> |   |  |



20690044/01



3-3