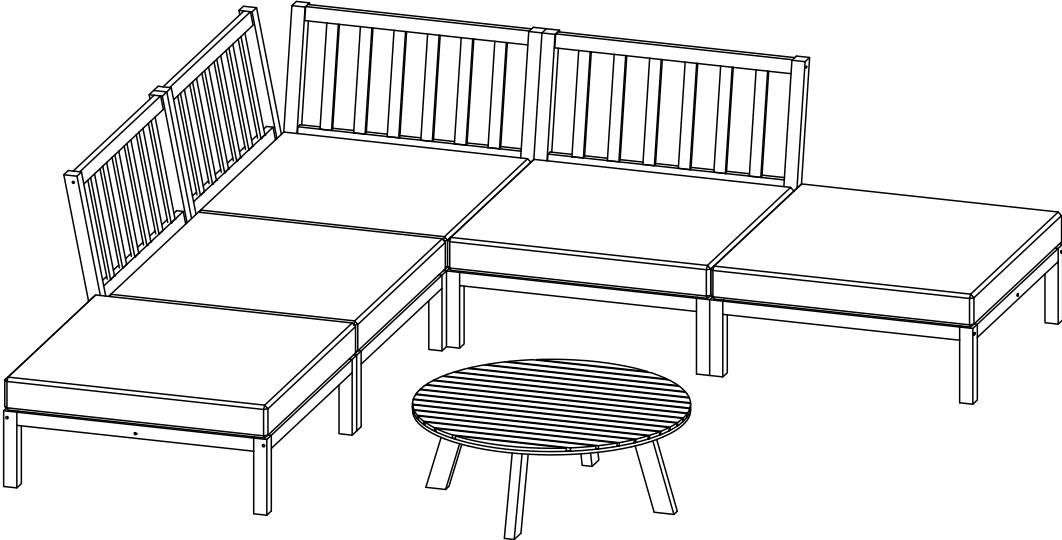
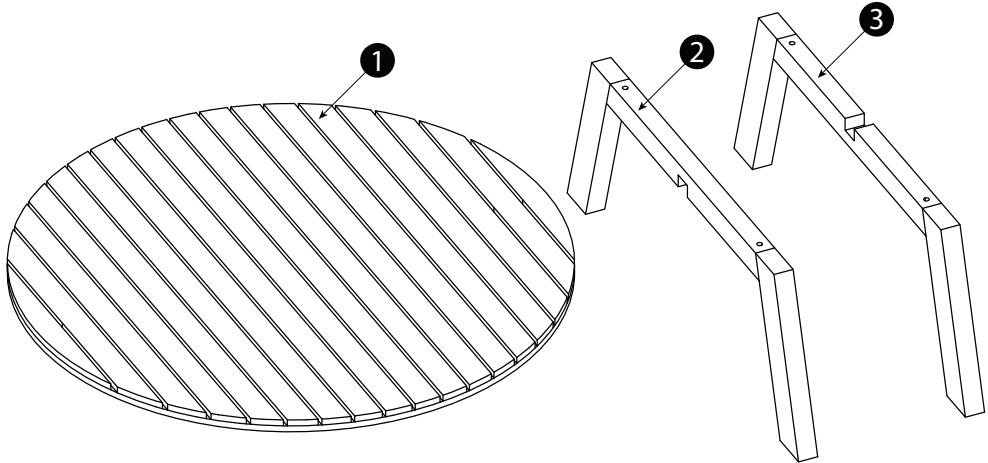


# ASSEMBLY INSTRUCTION

20140195-01



## TABLE:



(A)



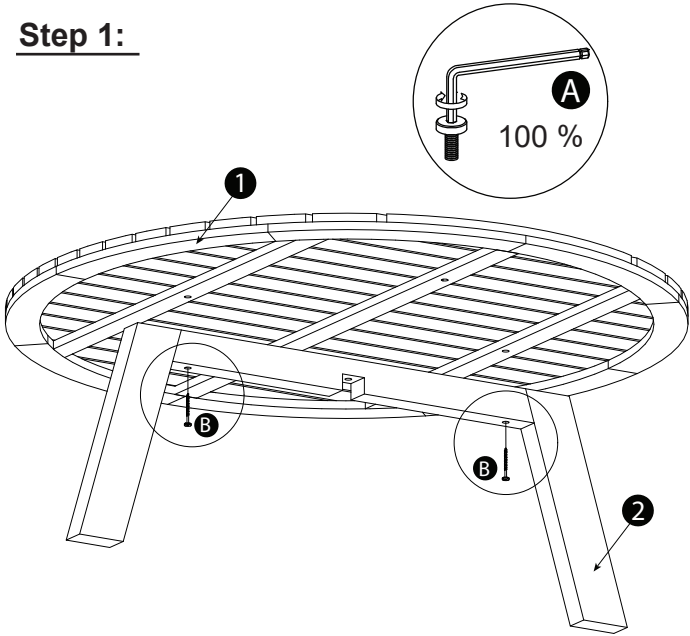
Allen Key (1 pc)

(B)

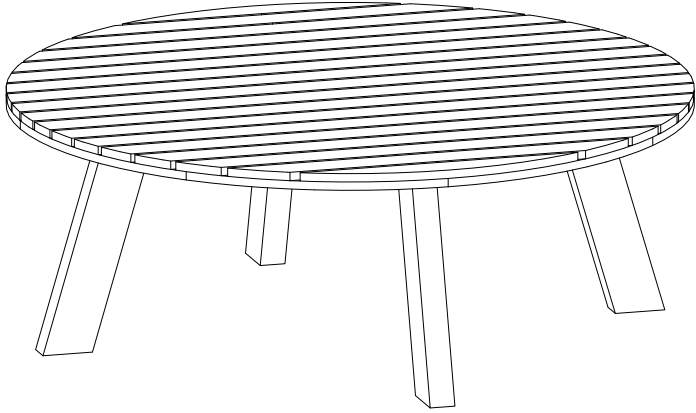
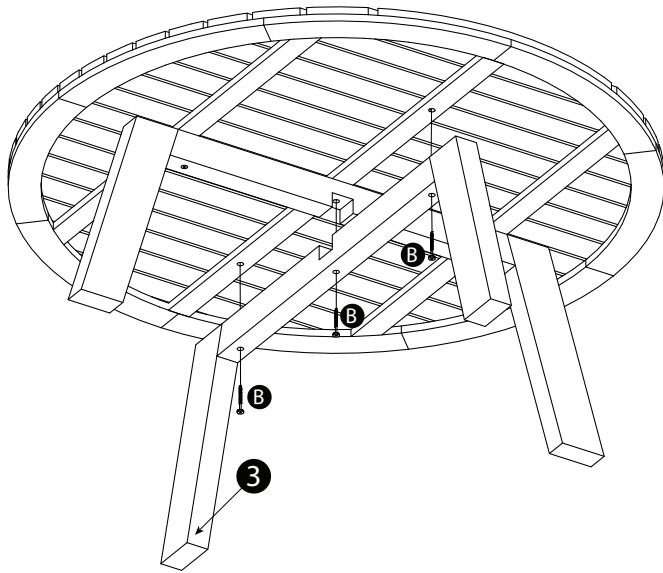


Screw M6x50 (5 pcs)

### Step 1:



### Step 2:

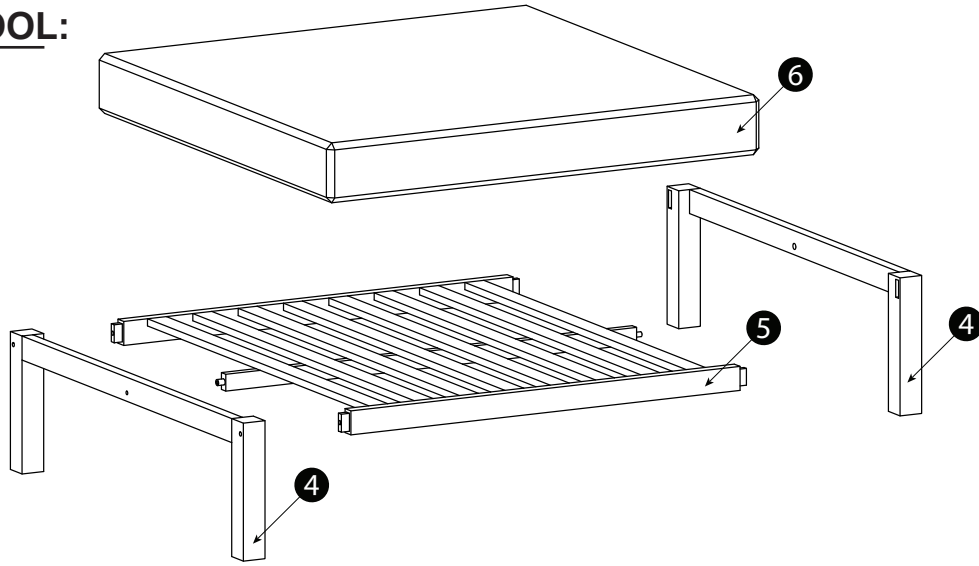


FINISHED.

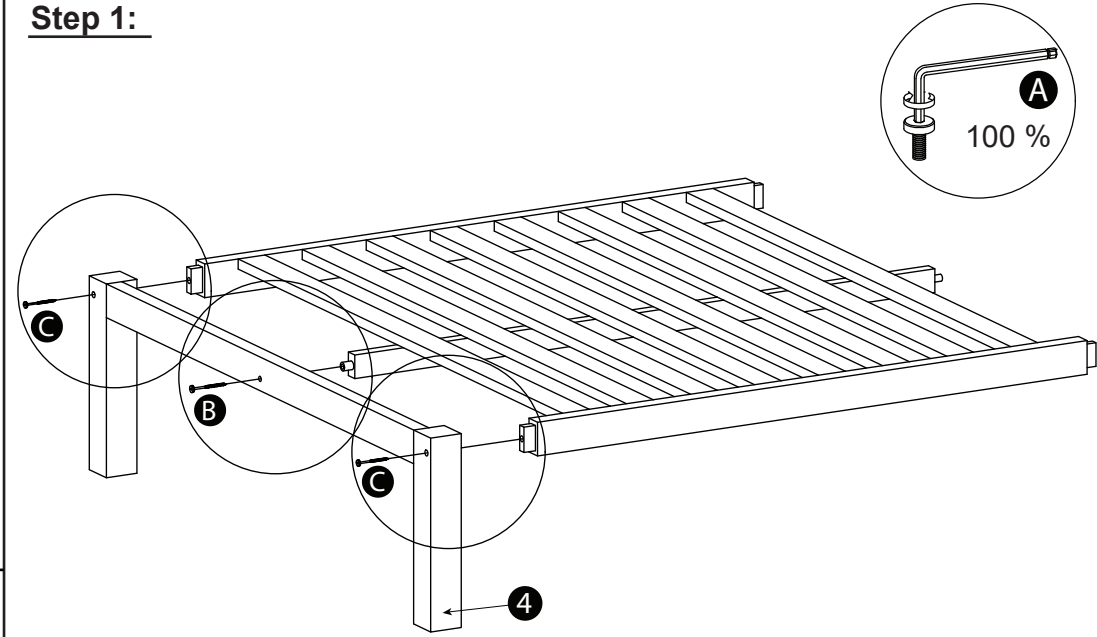
# ASSEMBLY INSTRUCTION

20140195-01

## STOOL:



## Step 1:



(A)



Allen Key (1 pc)

(B)



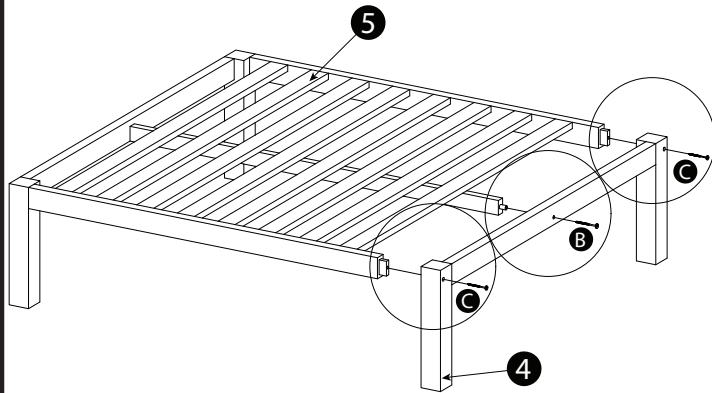
Screw M6x50 (2 pcs)

(C)

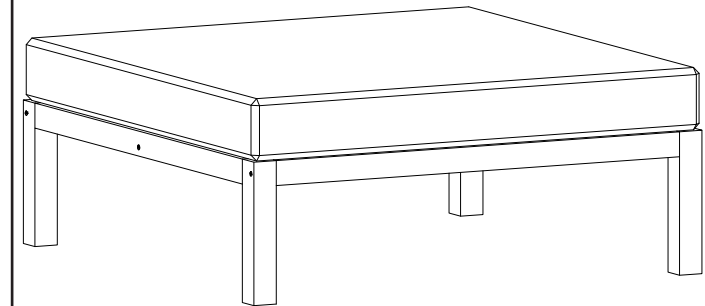
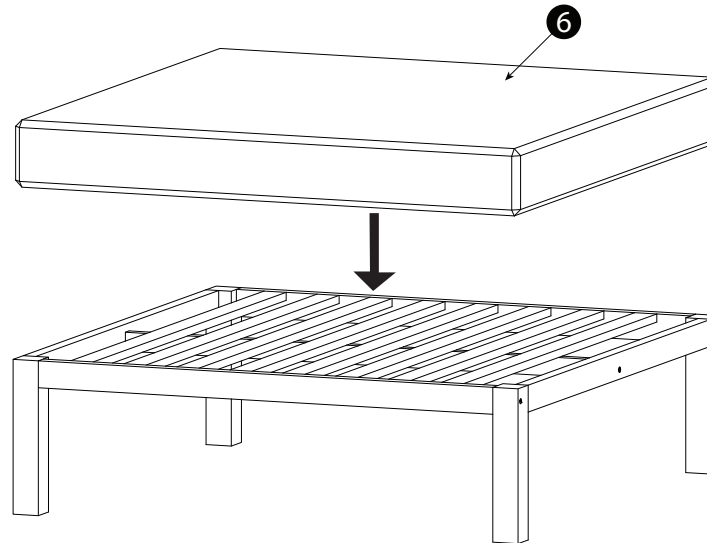


Screw M7x70 (4 pcs)

## Step 2:



## Step 3:

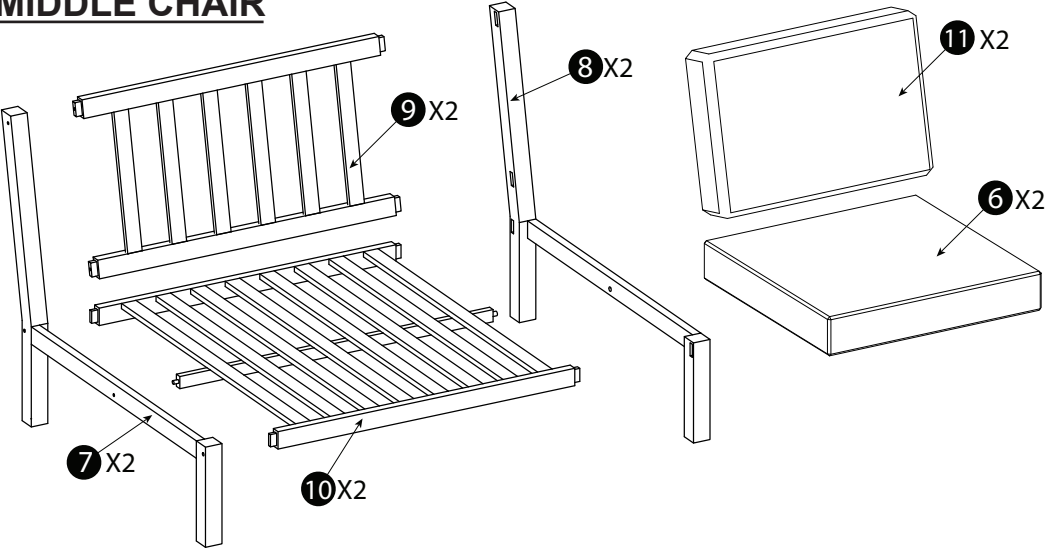


FINISHED.

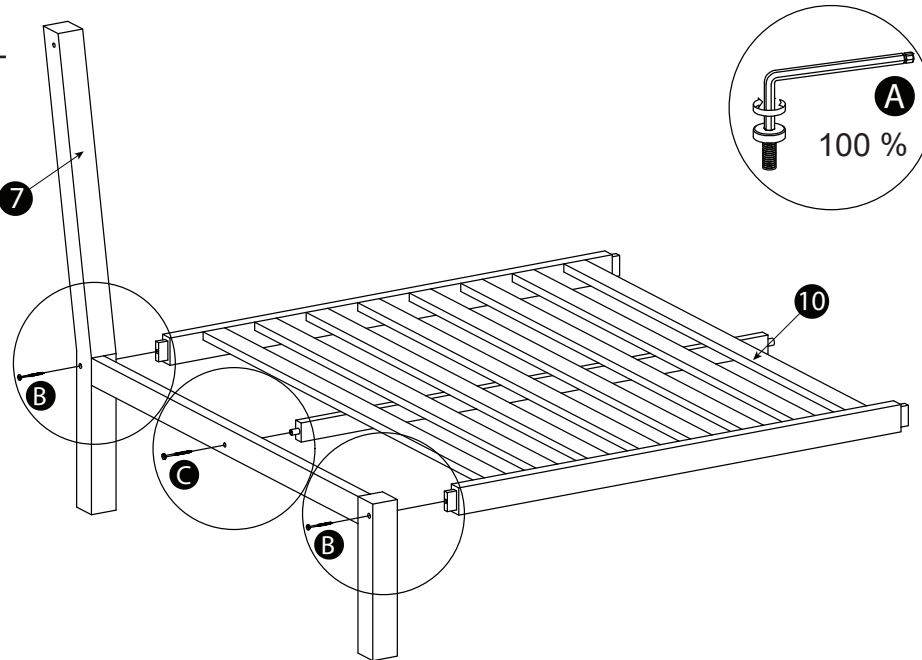
# ASSEMBLY INSTRUCTION

20140195-01

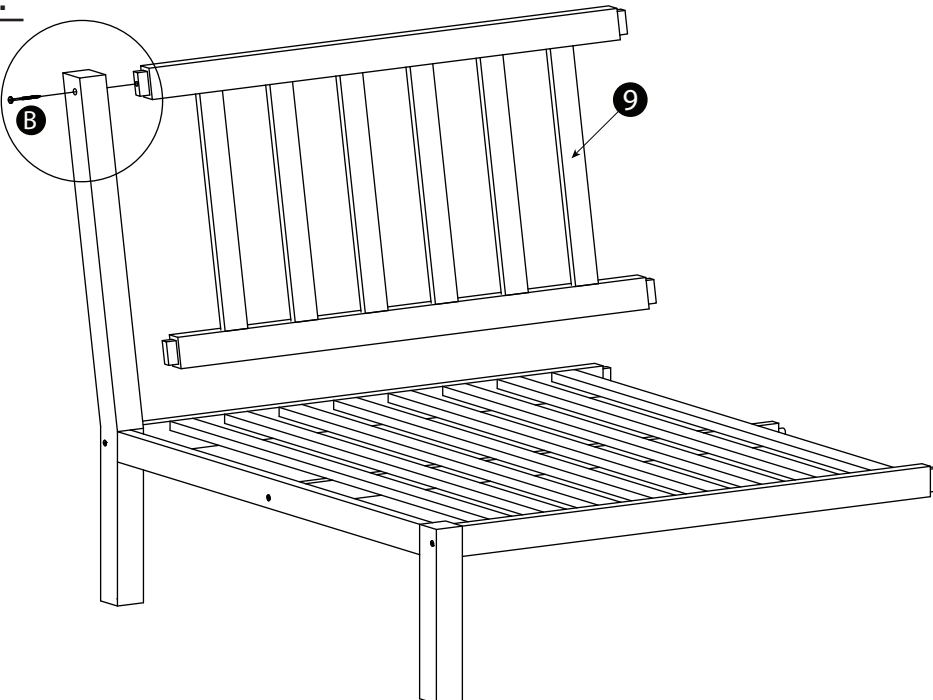
## MIDDLE CHAIR



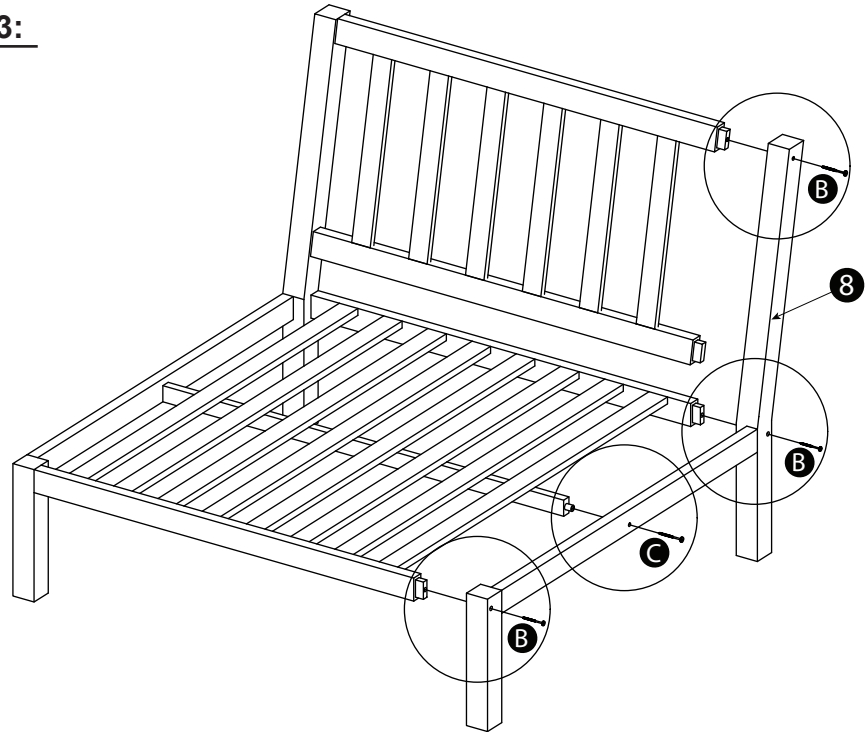
### Step 1:



### Step 2:



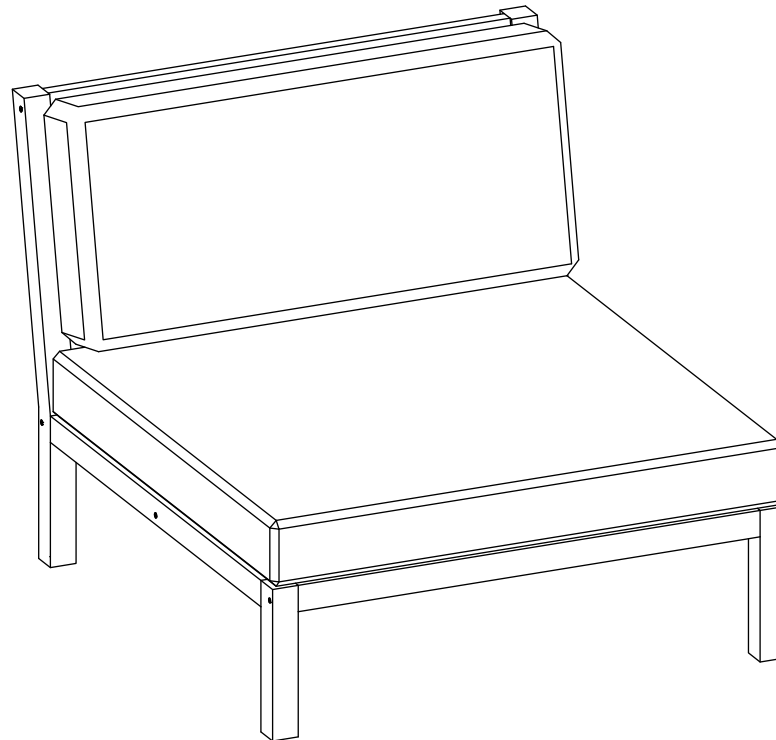
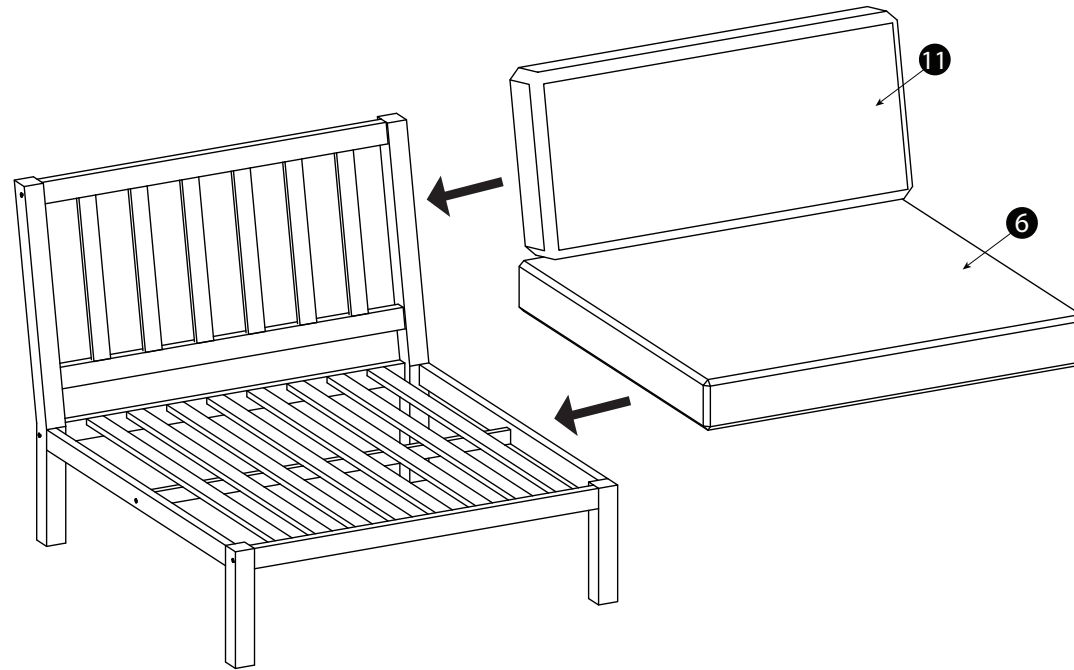
### Step 3:



# ASSEMBLY INSTRUCTION

20140195-01

Step 4:

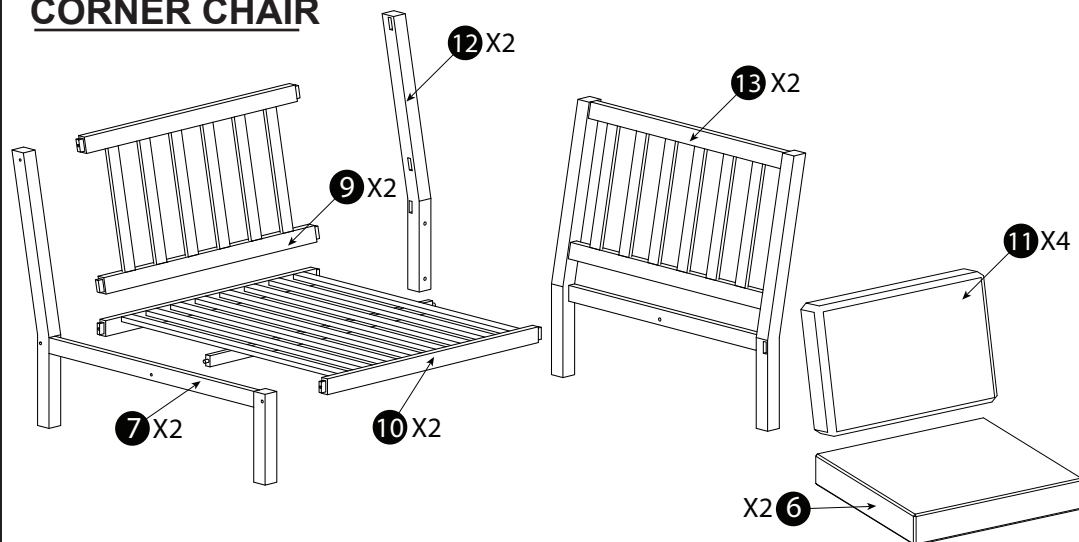


FINISHED.

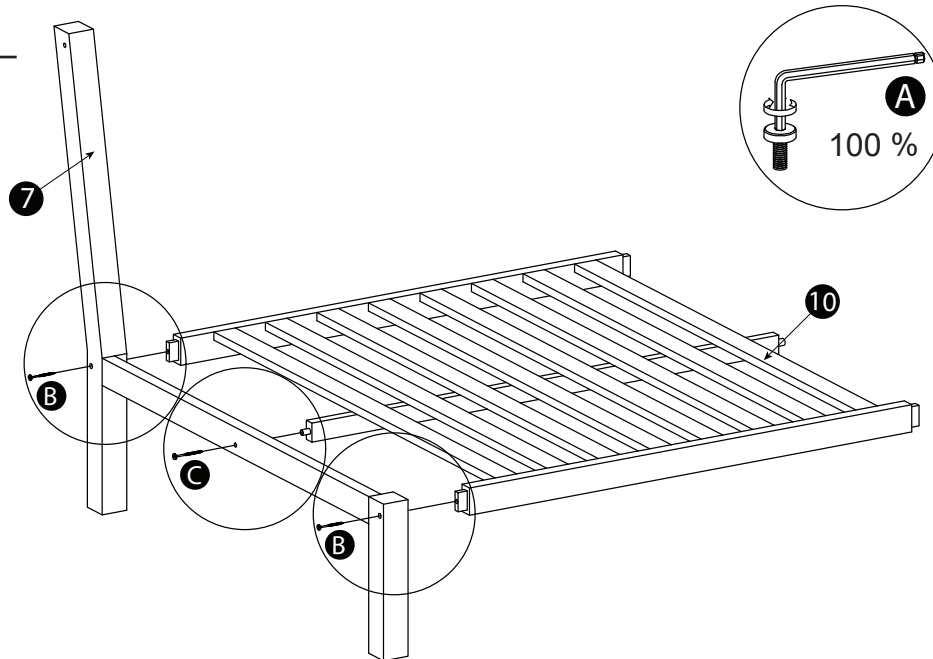
# ASSEMBLY INSTRUCTION

20140195-01

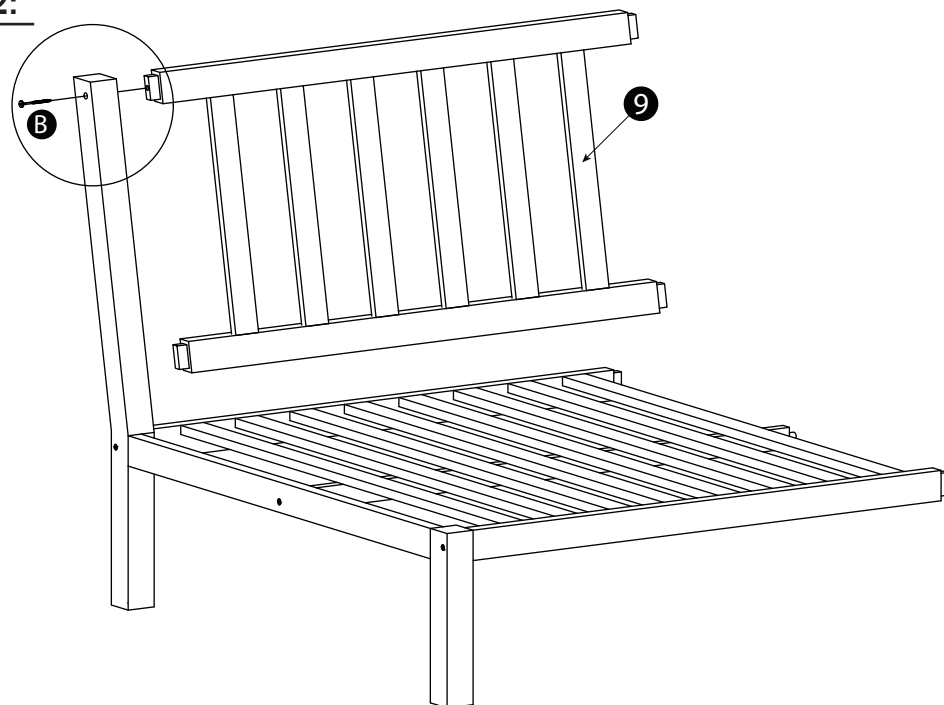
## CORNER CHAIR



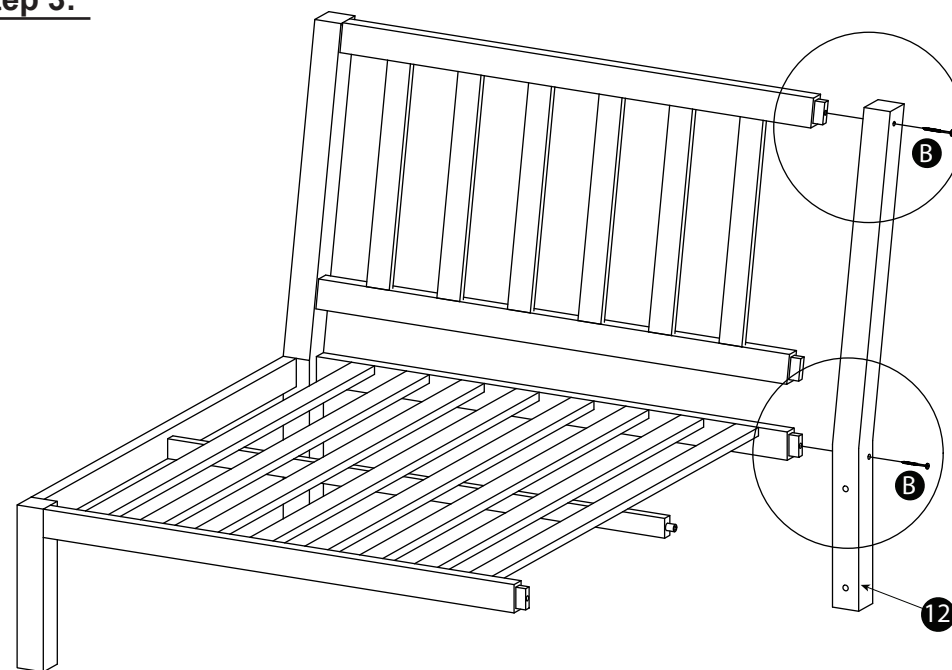
### Step 1:



### Step 2:



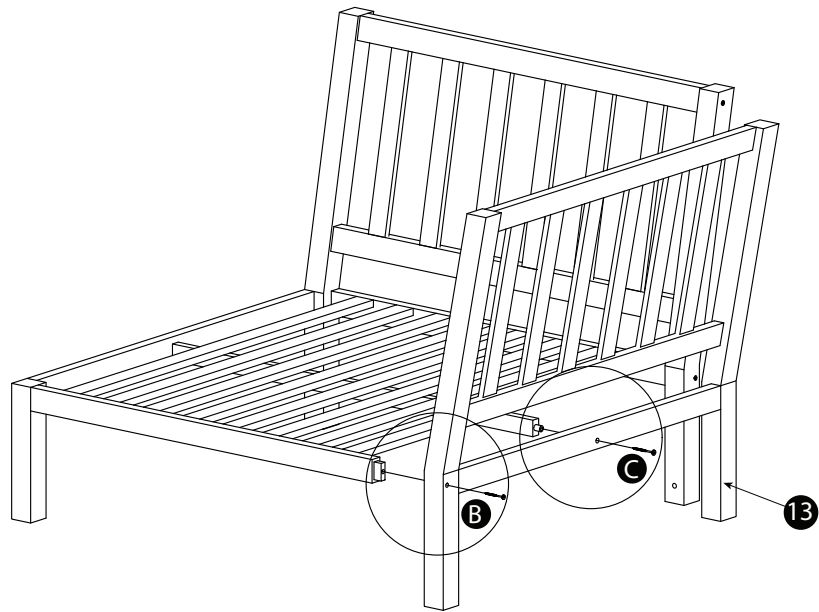
### Step 3:



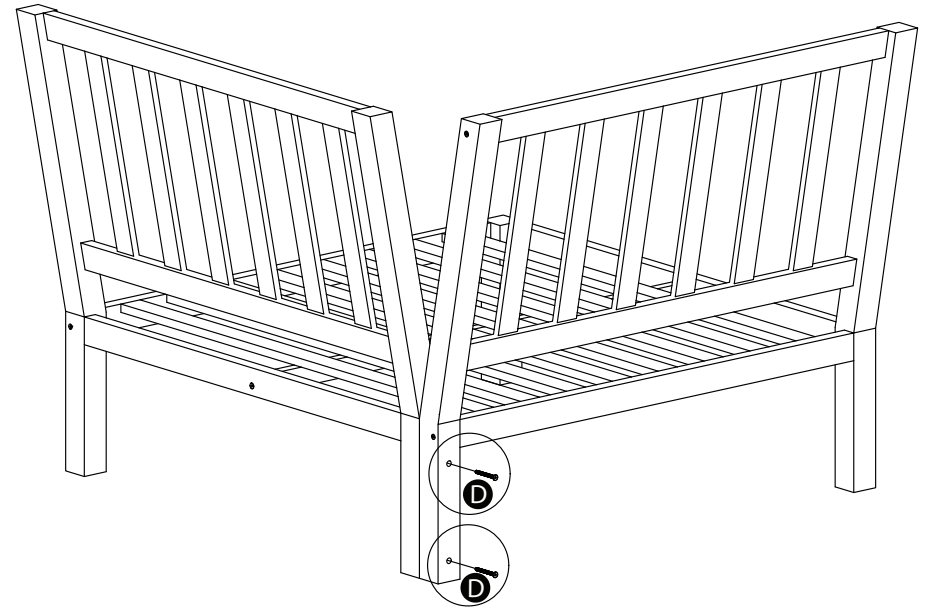
# ASSEMBLY INSTRUCTION

20140195-01

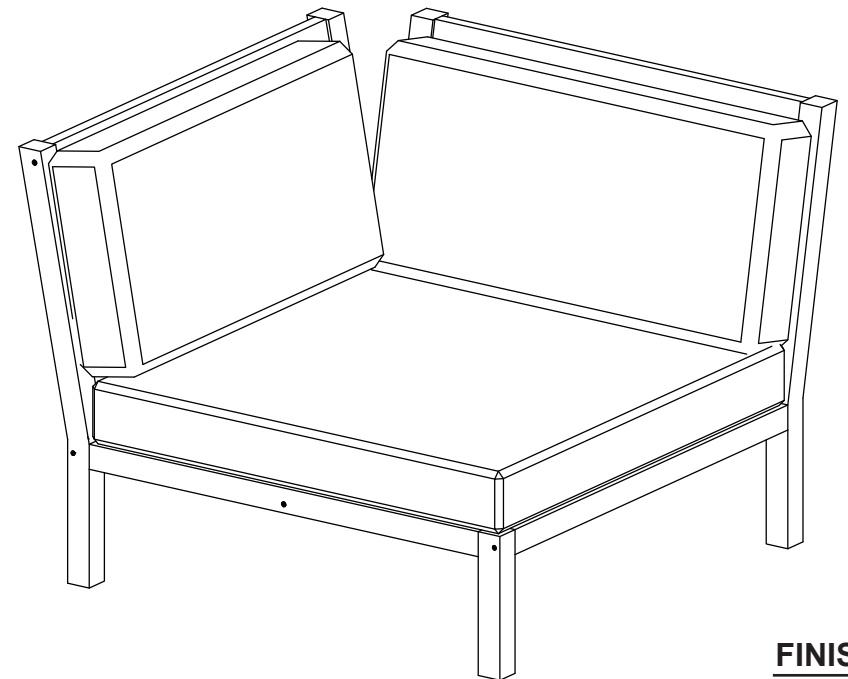
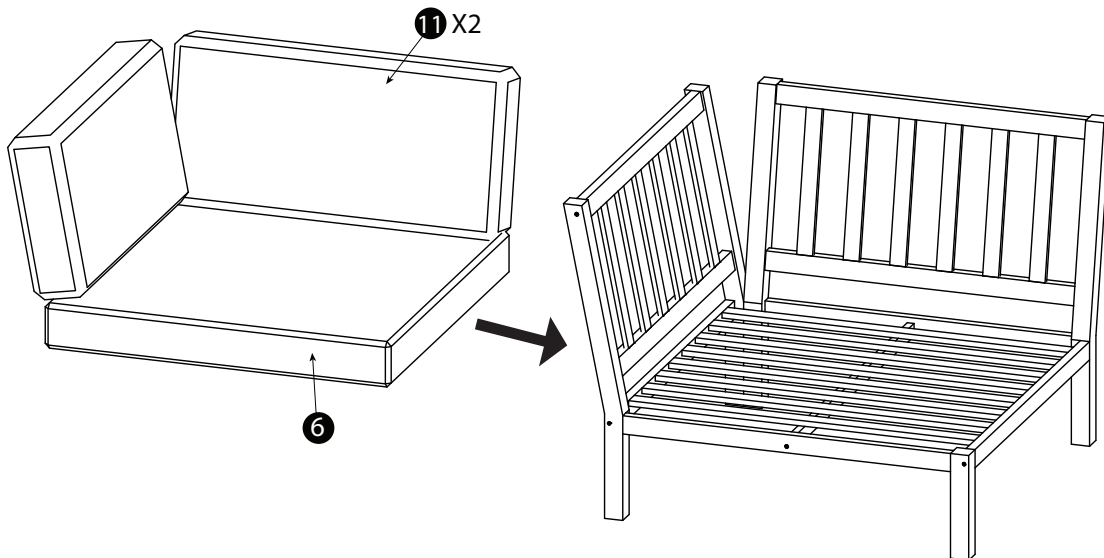
Step 4:



Step 5:



Step 5:



FINISHED.