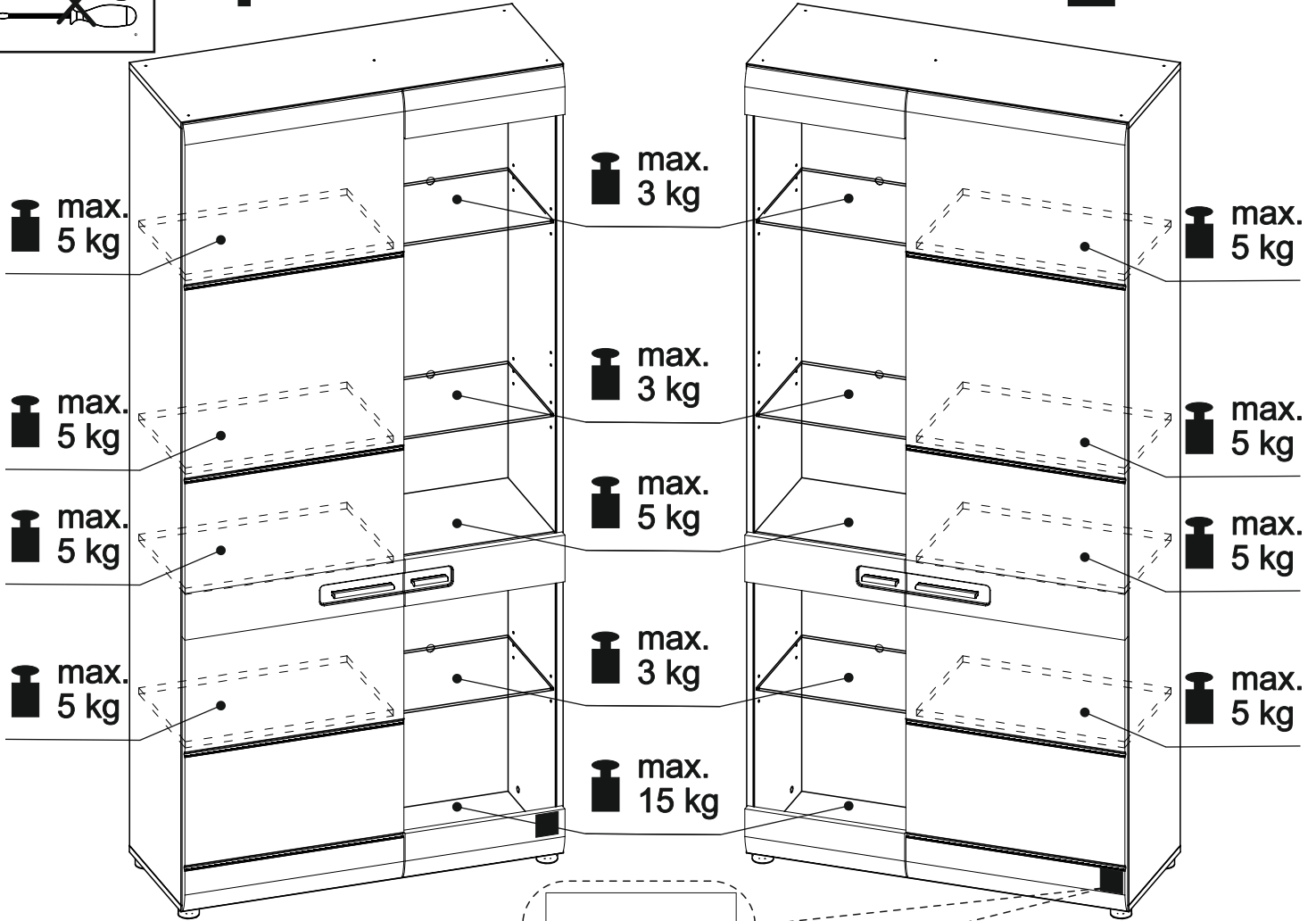
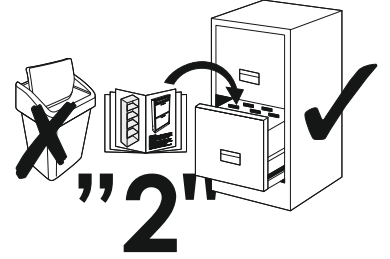
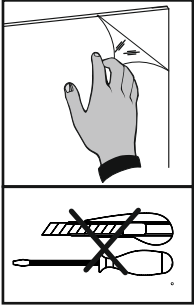
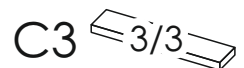


AVENSIS NEW 30B



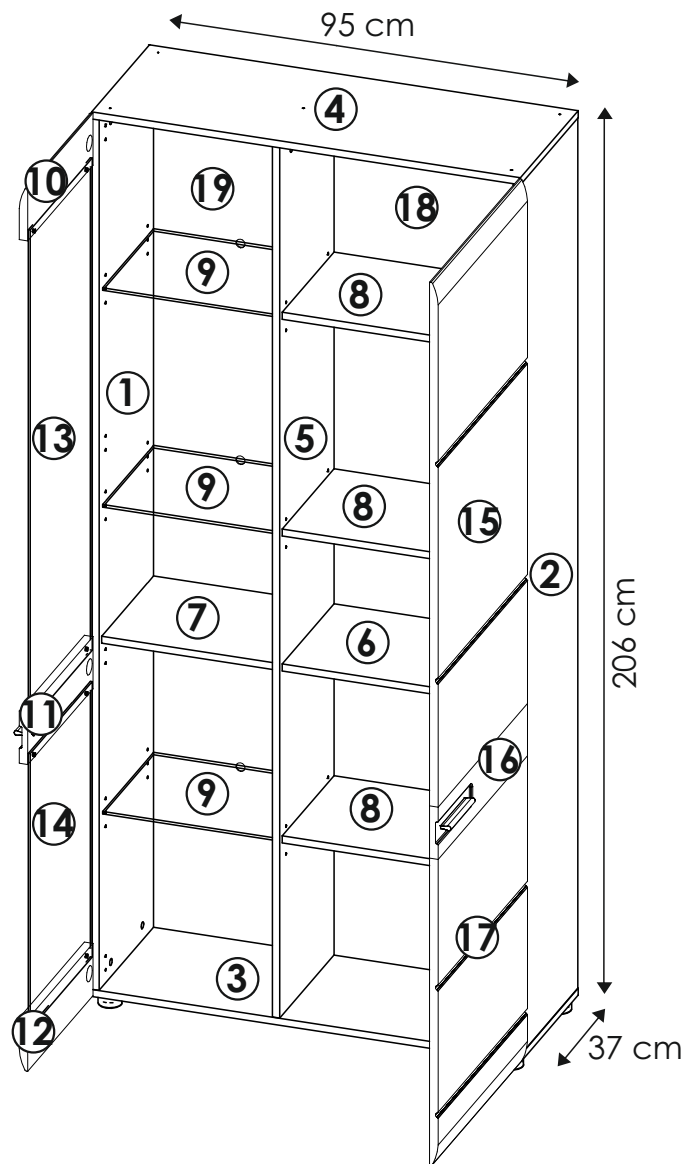
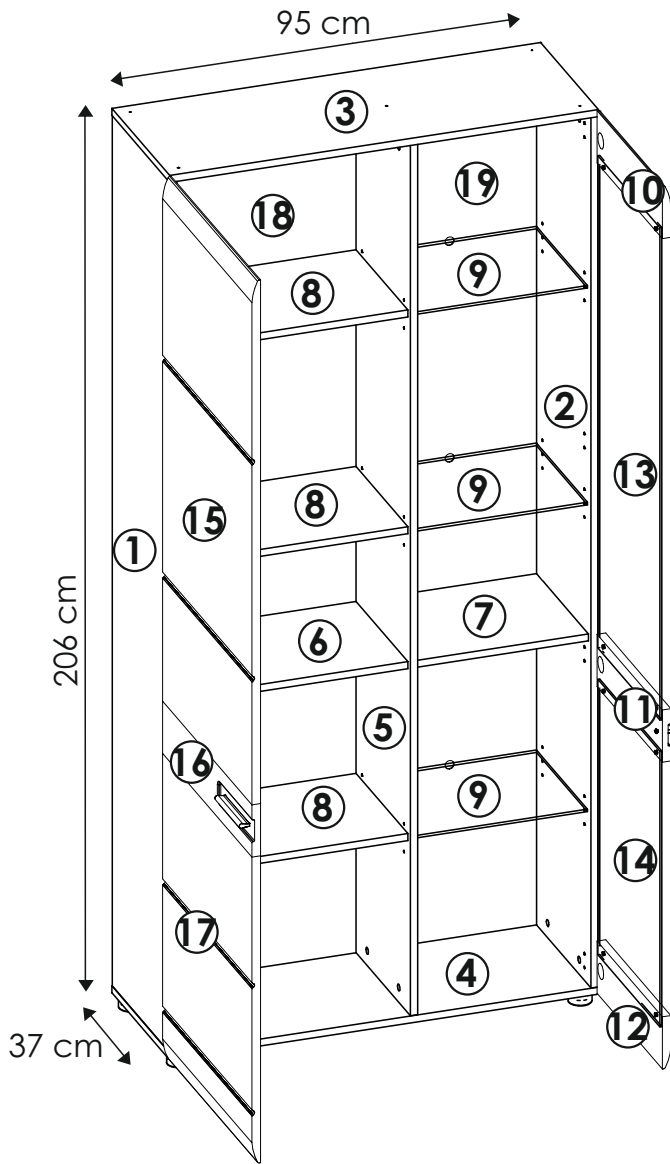
Luca BESSONI

- ① - C3 ④ - C1 ⑦ - C1 ⑩ - C2 ⑬ - C2 ⑯ - C2 ⑲ - C3
- ② - C3 ⑤ - C3 ⑧ - C1 ⑪ - C2 ⑭ - C2 ⑰ - C2
- ③ - C1 ⑥ - C1 ⑨ - C1 ⑫ - C2 ⑮ - C2 ⑱ - C3

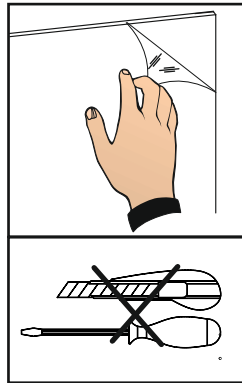





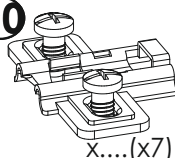
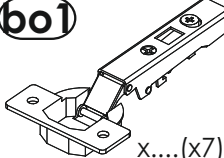

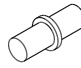






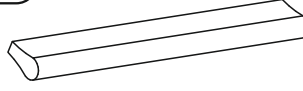
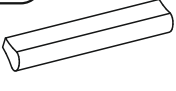

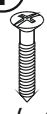

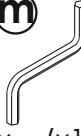
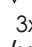
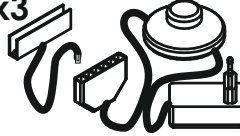

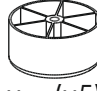



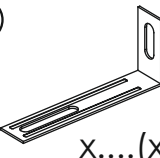
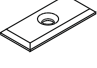


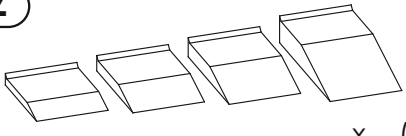

1803

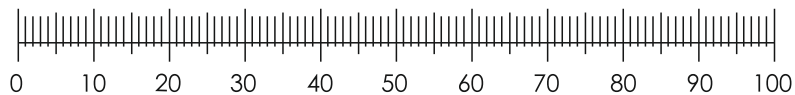
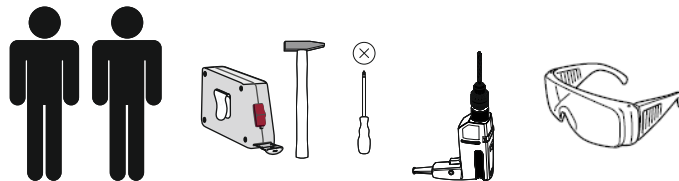
AVENSIS NEW 30B

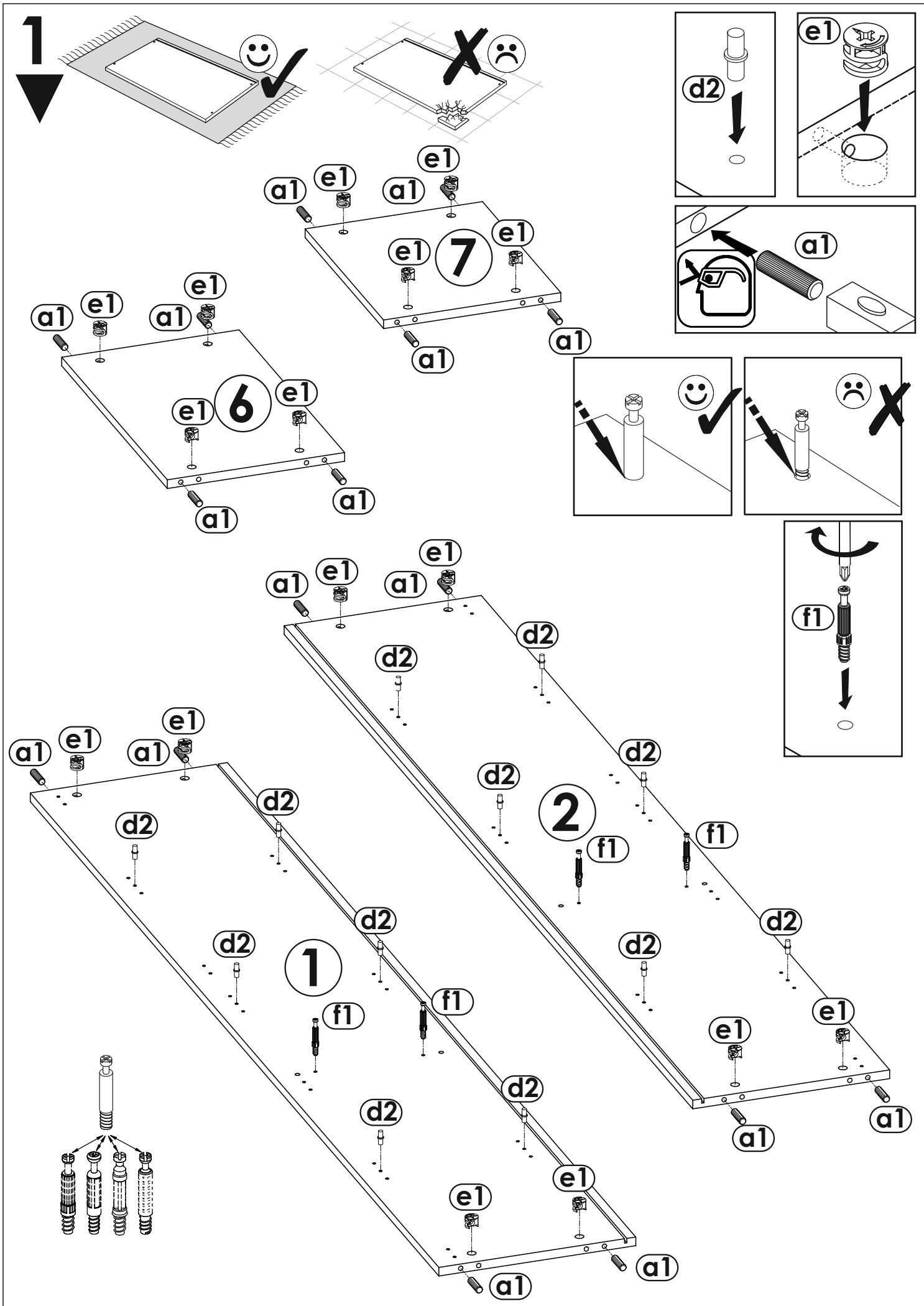


AVENSIS NEW 30B

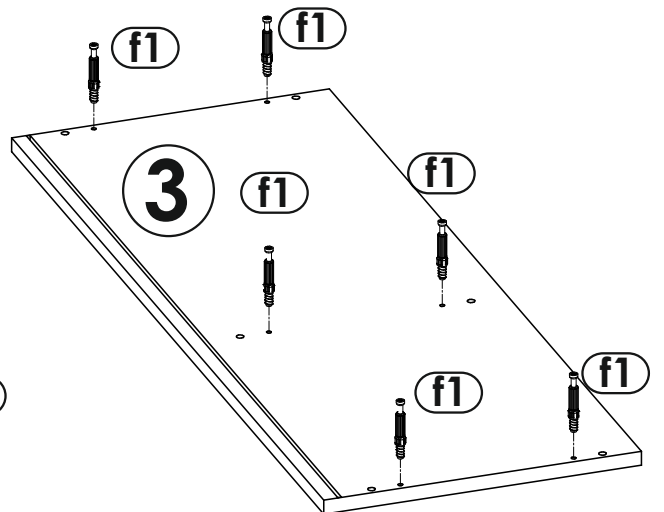
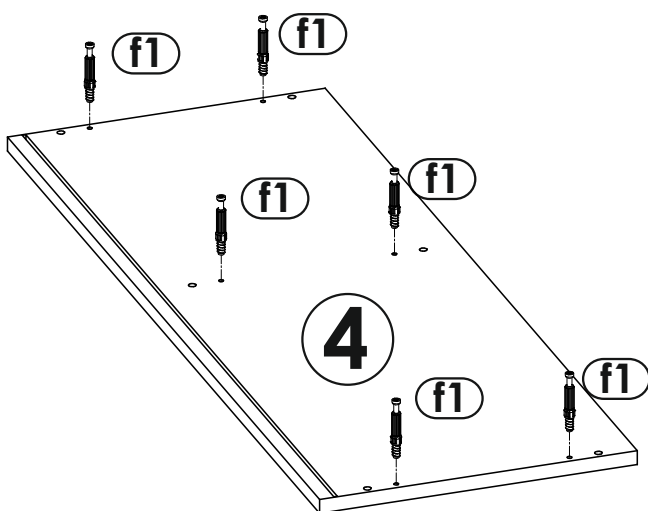
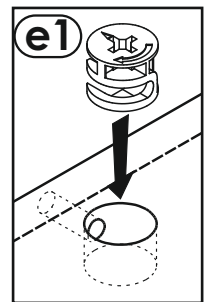
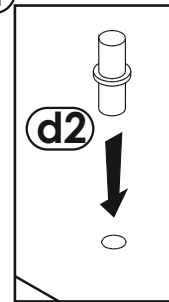
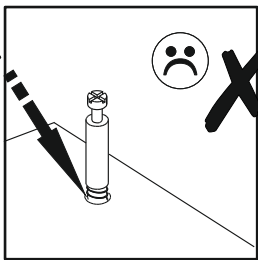
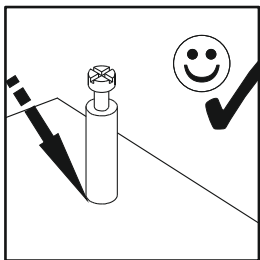
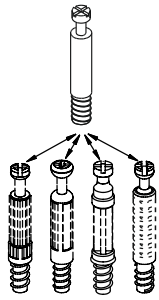
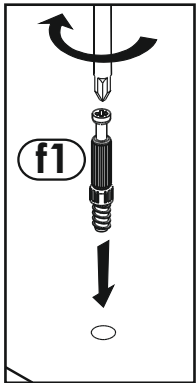
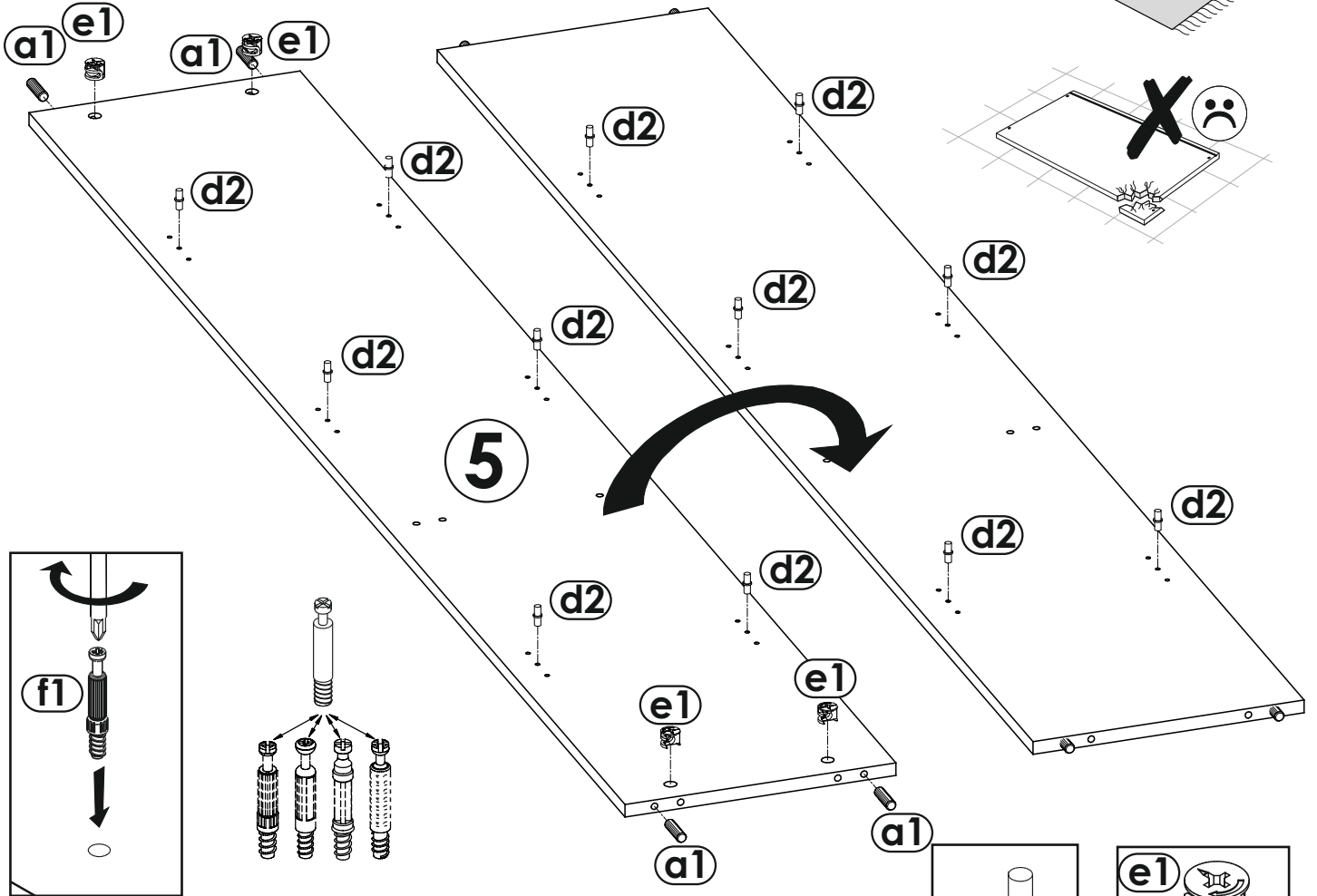
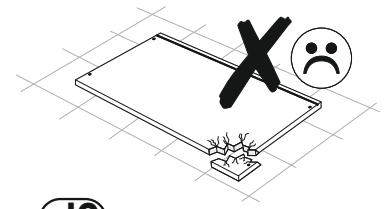
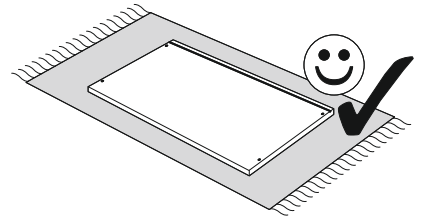
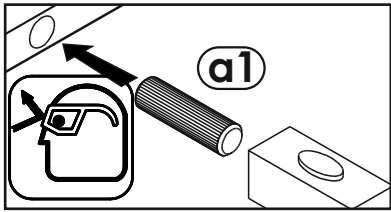


a0  6x40 x...(x4)	a1  8x35 x...(x16)	a3  8x60 x...(x2)	bc0  x...(x7)	bo1  x...(x7)	c1  Euro 4x13 x...(x14)	d2  x...(x24)	e0  x...(x20)	
e1  x...(x20)	e3  x...(x12)	f1  x...(x16)	f3  7x76 x...(x2)	f4  7x58 x...(x6)	h1 L148  x...(x1)	h2 L62  x...(x1)		
i2  4x16 x...(x10)	i4  3.5x27 x...(x4)	i10  3.5x22 x...(x5)	m  x...(x1)	n1  3x16 x...(x20)	x3  x...(x1)	i10  x...(x1)	o15  x...(x5)	p0 $\phi 5$  x...(x2)
p15  x...(x3)	p20  $\phi 35$ x...(x3)	q  x...(x2)	r1  x...(x13)	r3  x...(x8)	r4  x...(x14)			
z  x...(x1)		et  x...(x1)						

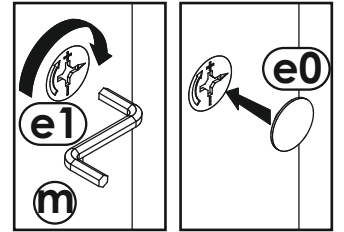
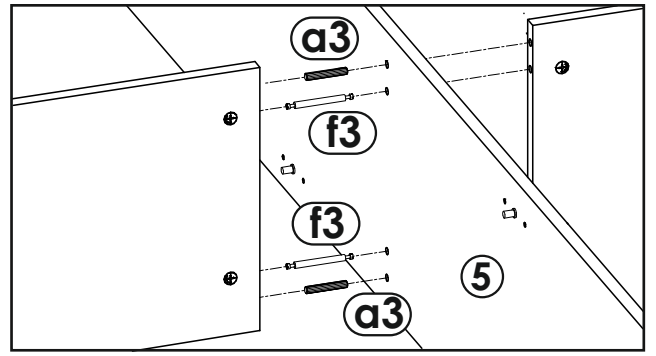
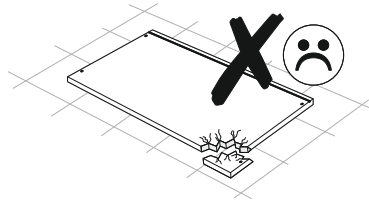
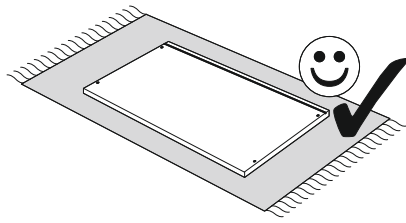




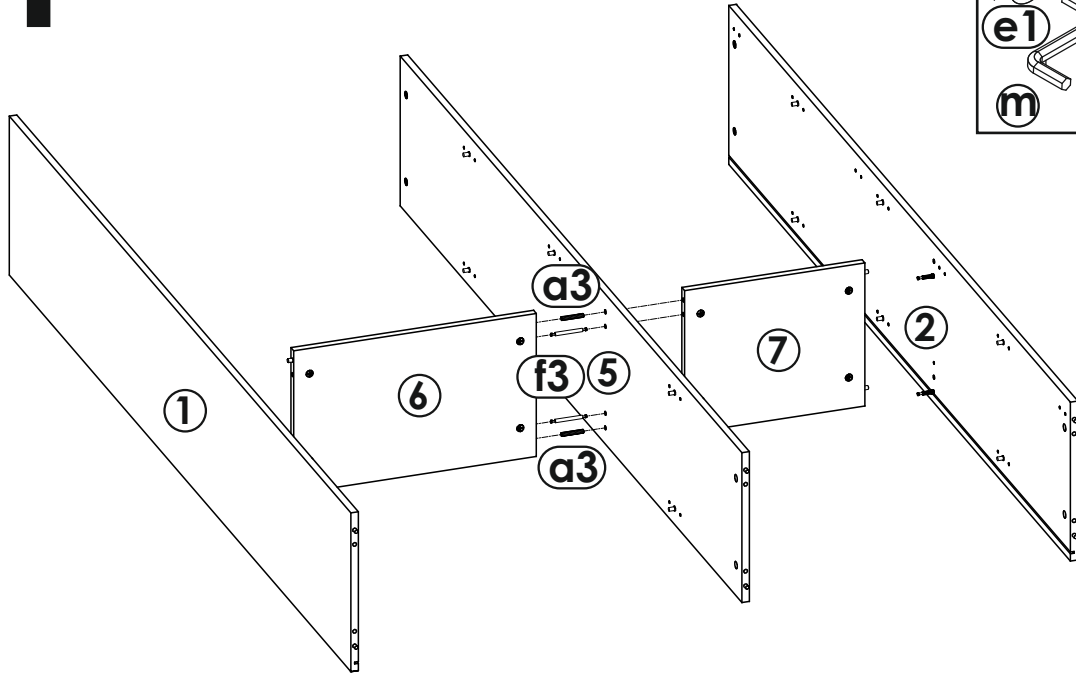
2



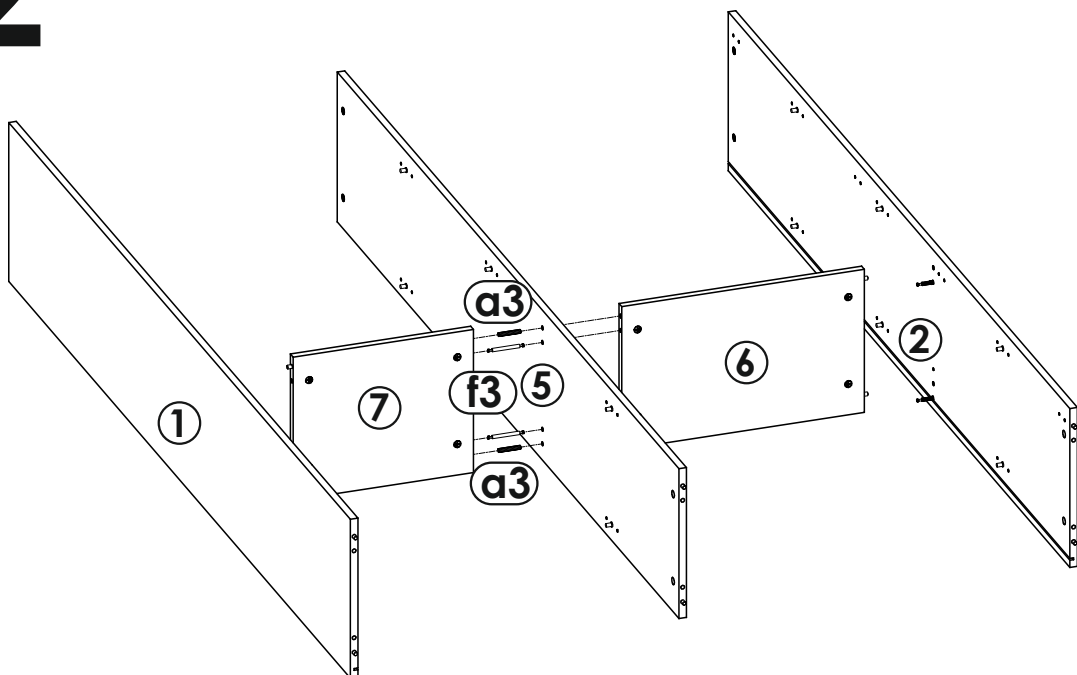
3
▼



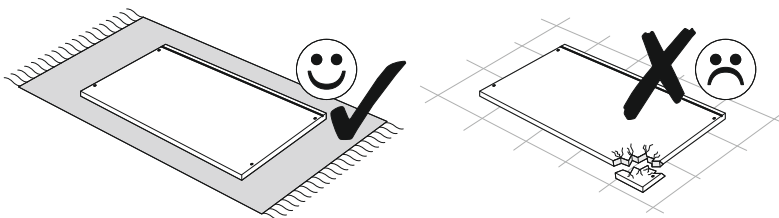
”1”



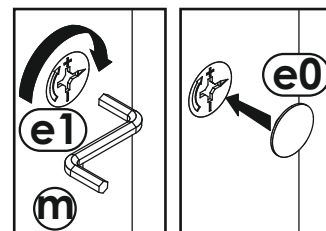
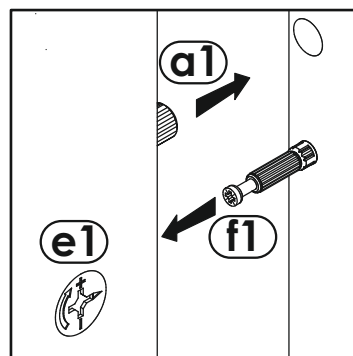
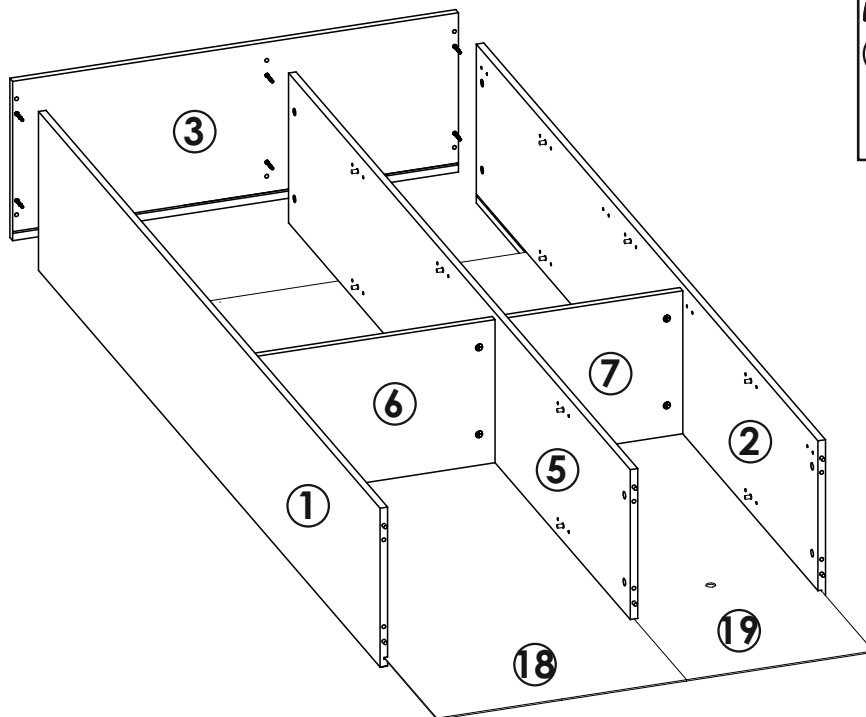
”2”



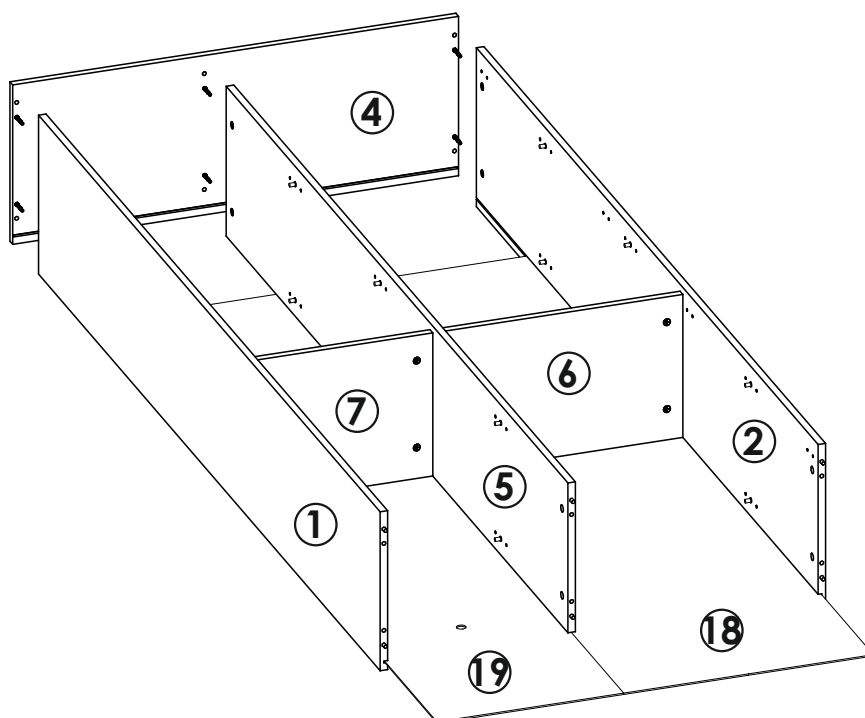
4
▼



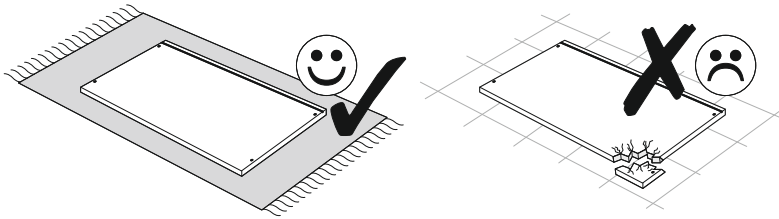
”1”



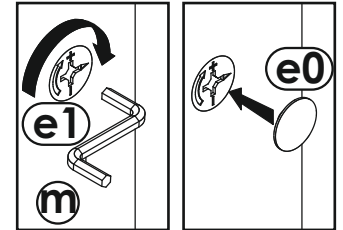
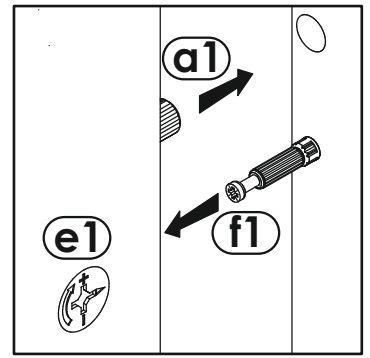
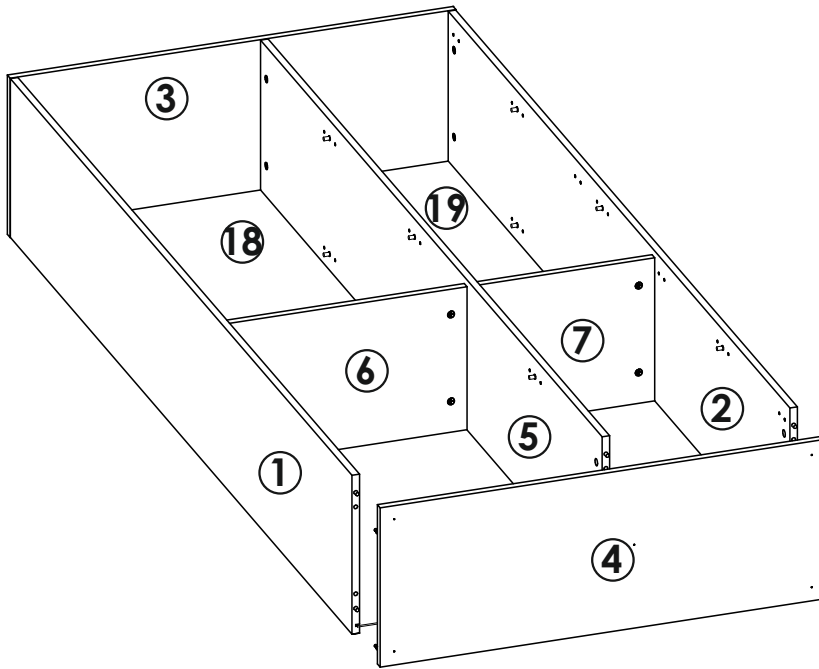
”2”



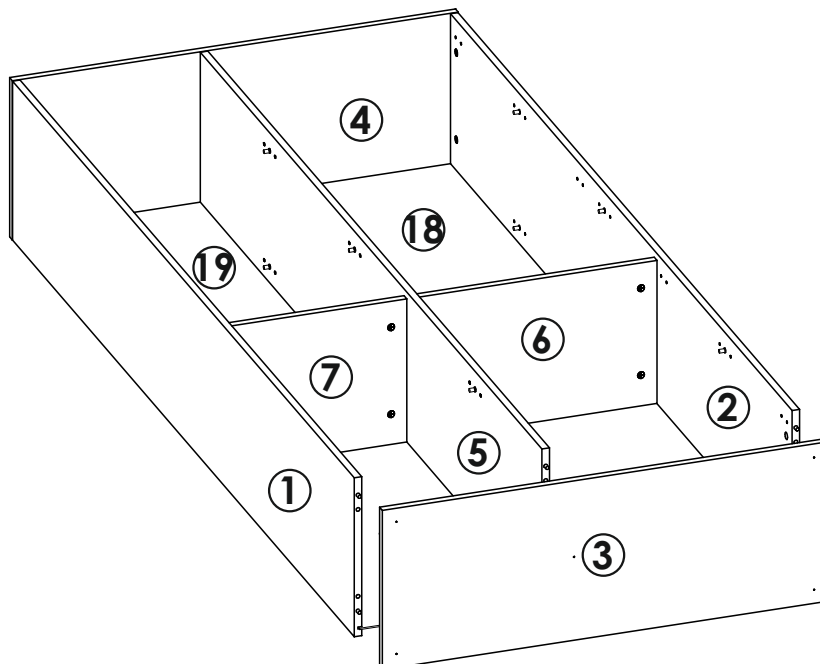
5
▼



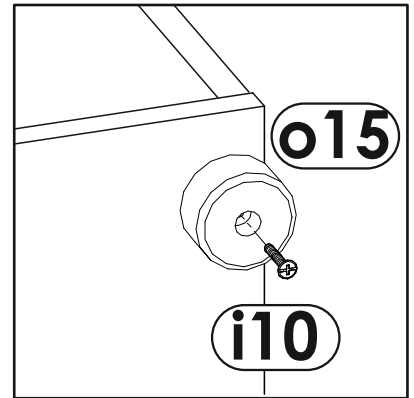
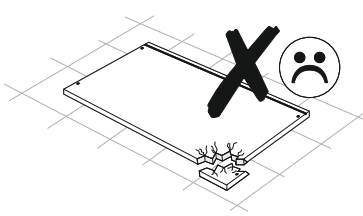
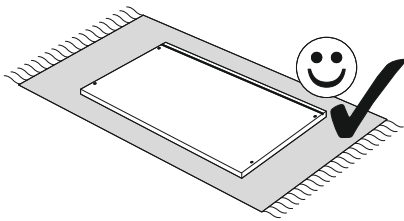
”1”



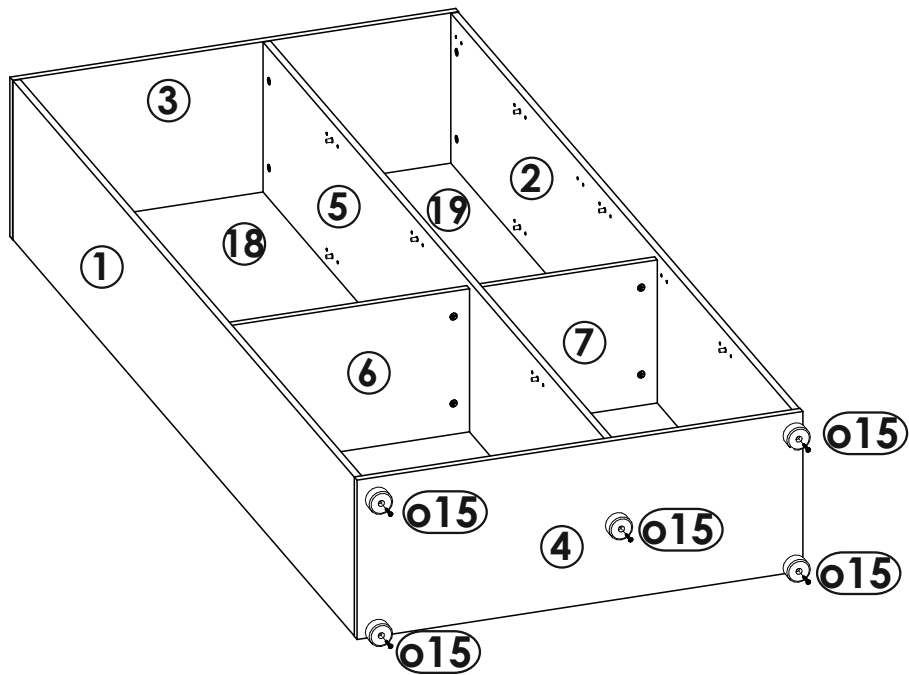
”2”



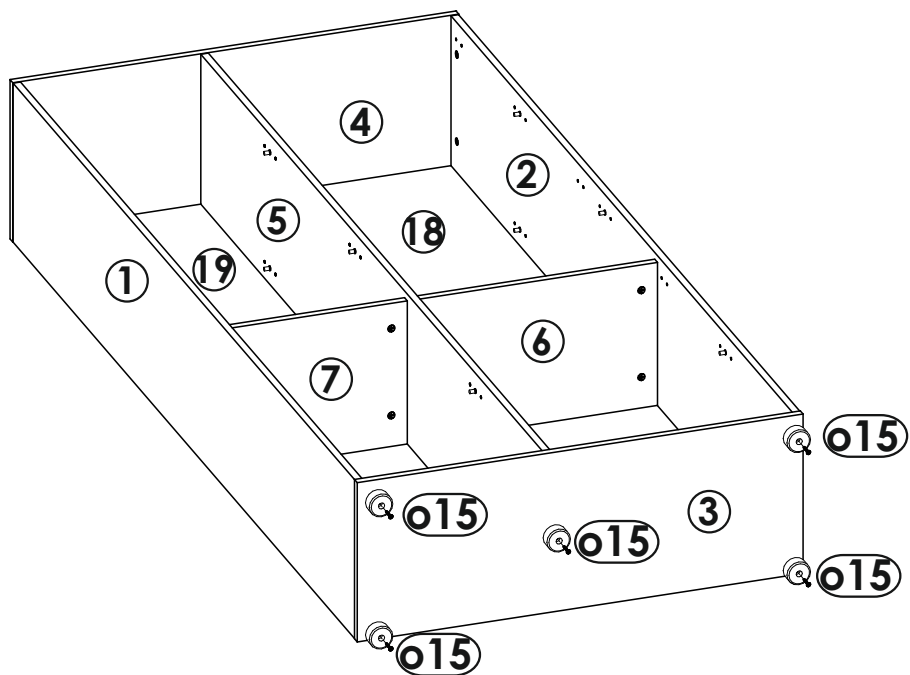
6
▼



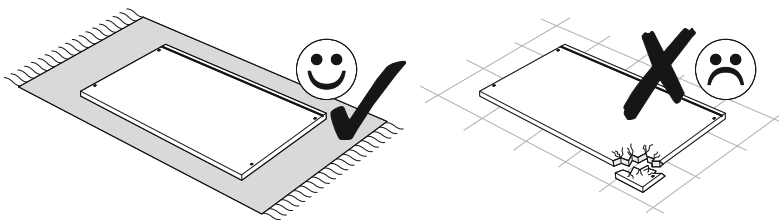
”1”



”2”

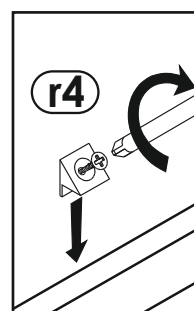
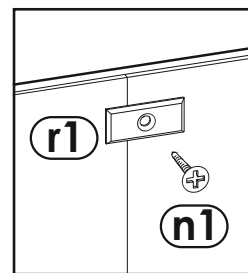
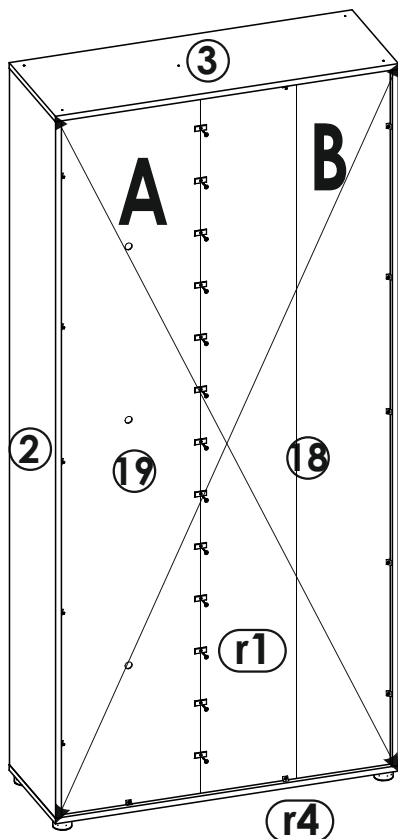


7
▼

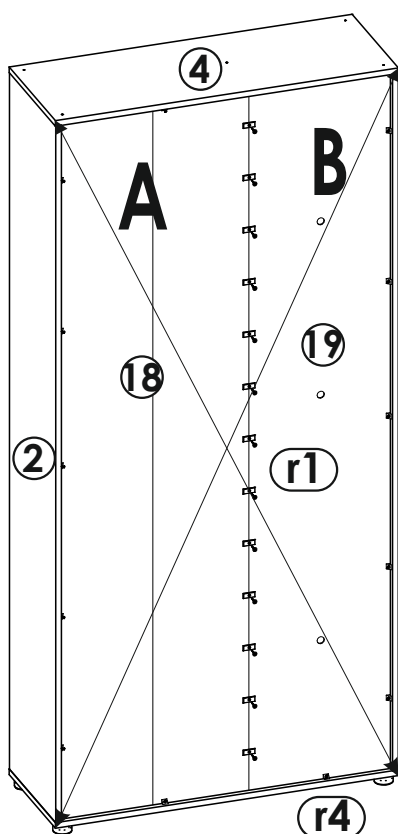


A=B

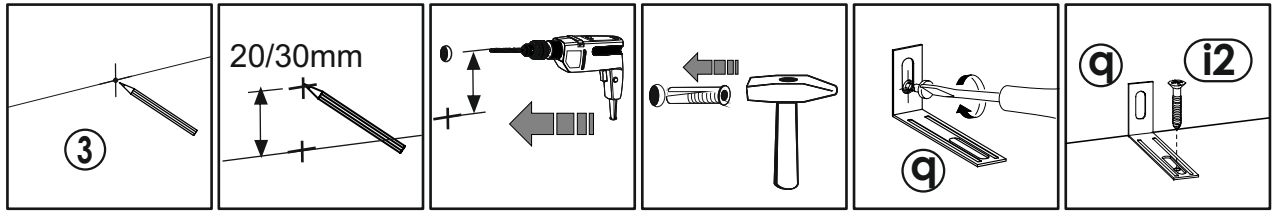
”1”



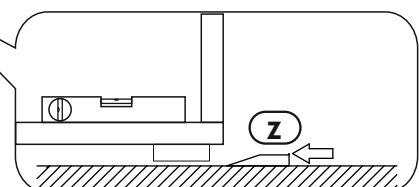
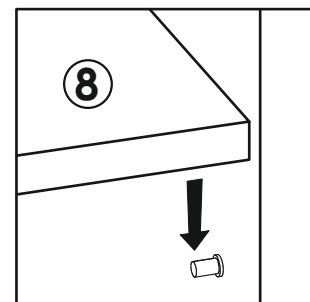
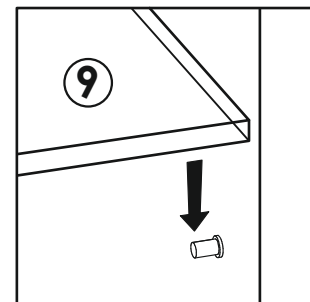
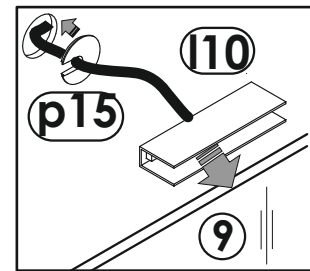
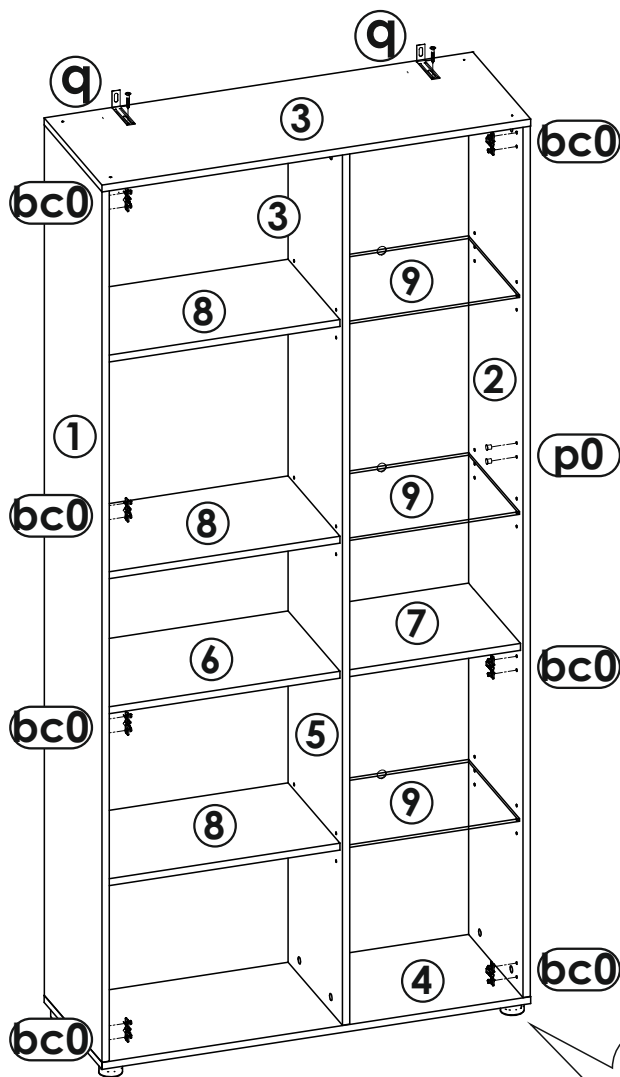
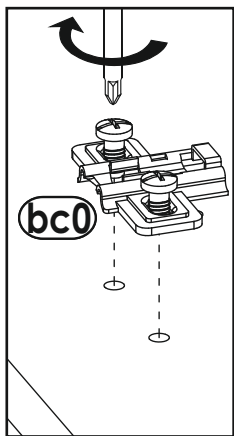
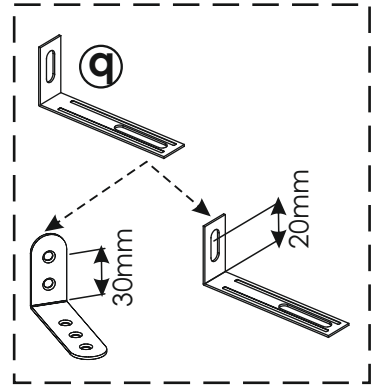
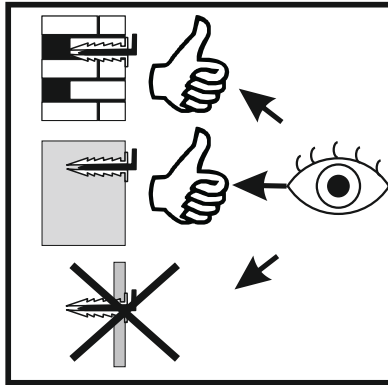
”2”



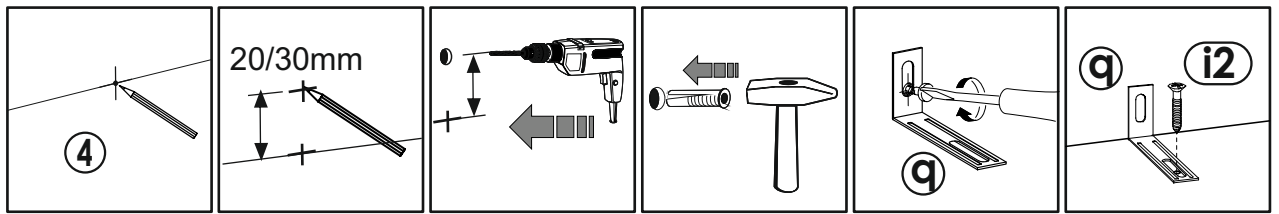
8
▼



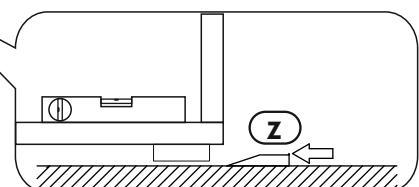
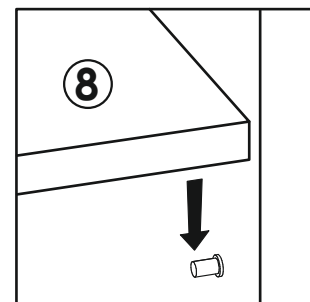
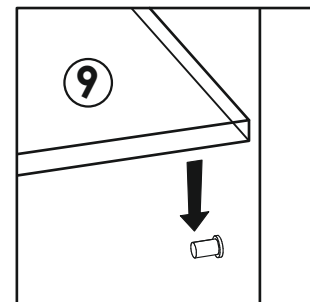
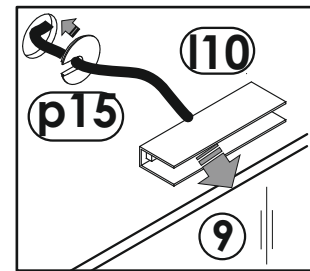
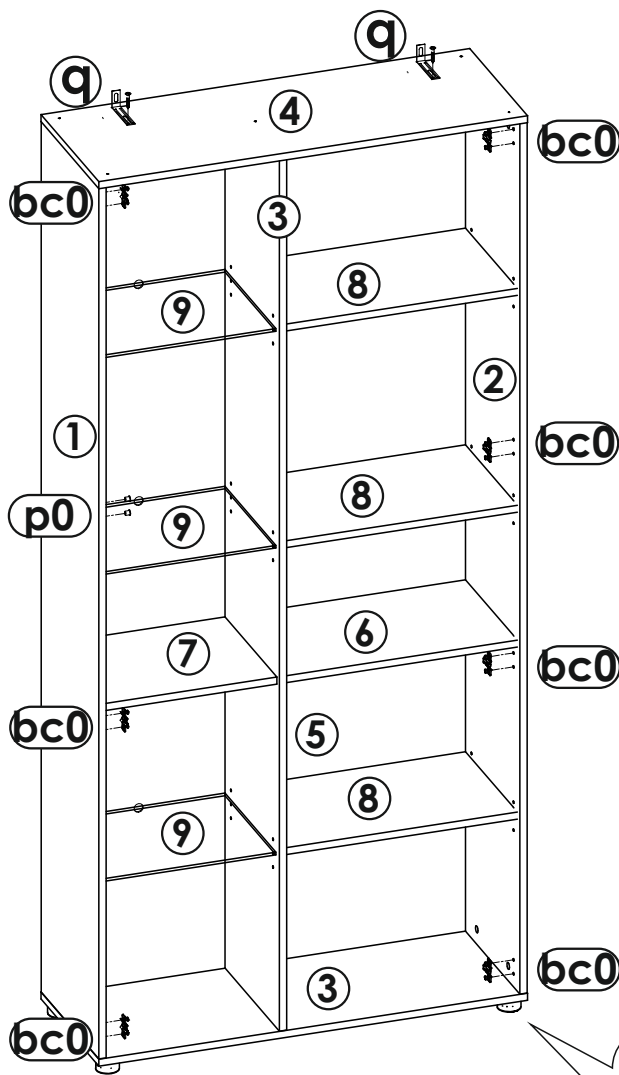
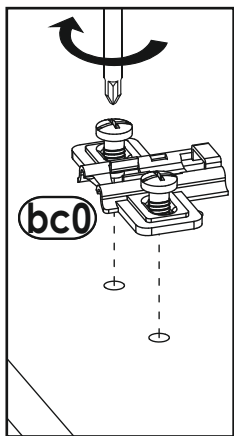
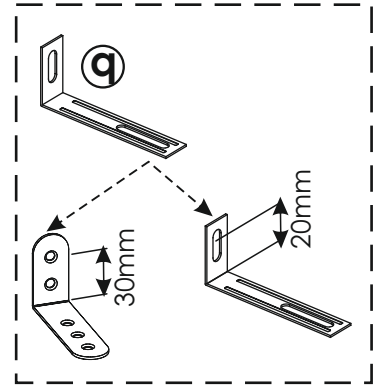
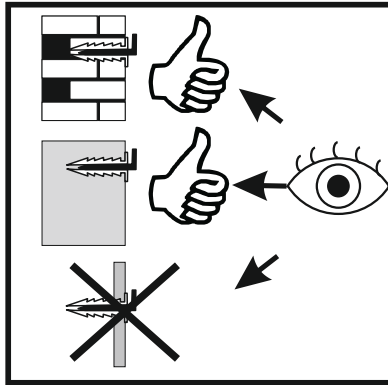
”1”



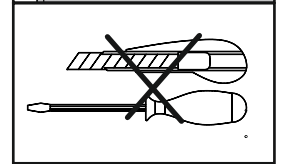
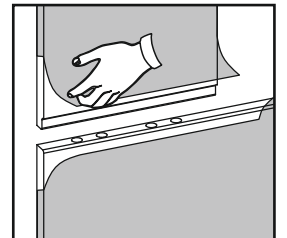
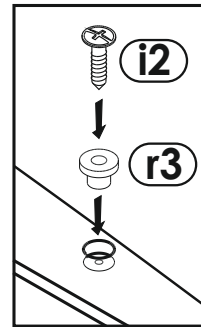
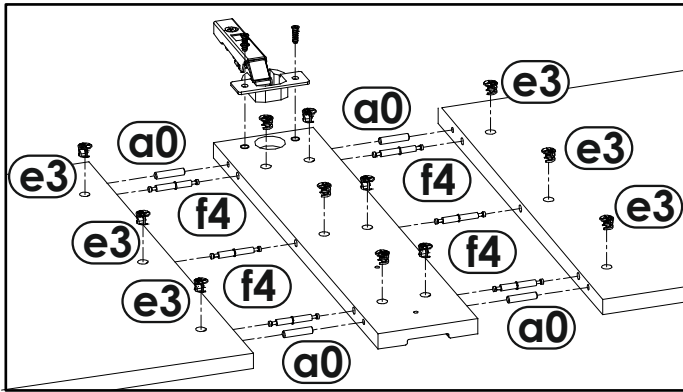
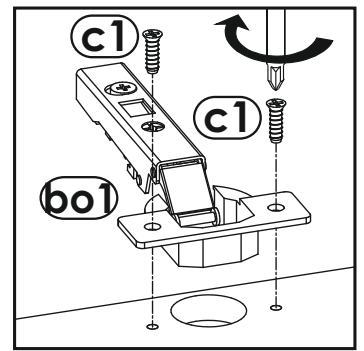
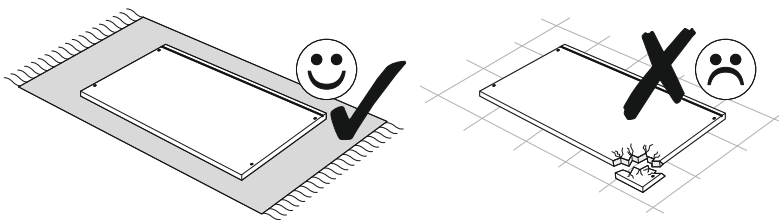
8
▼



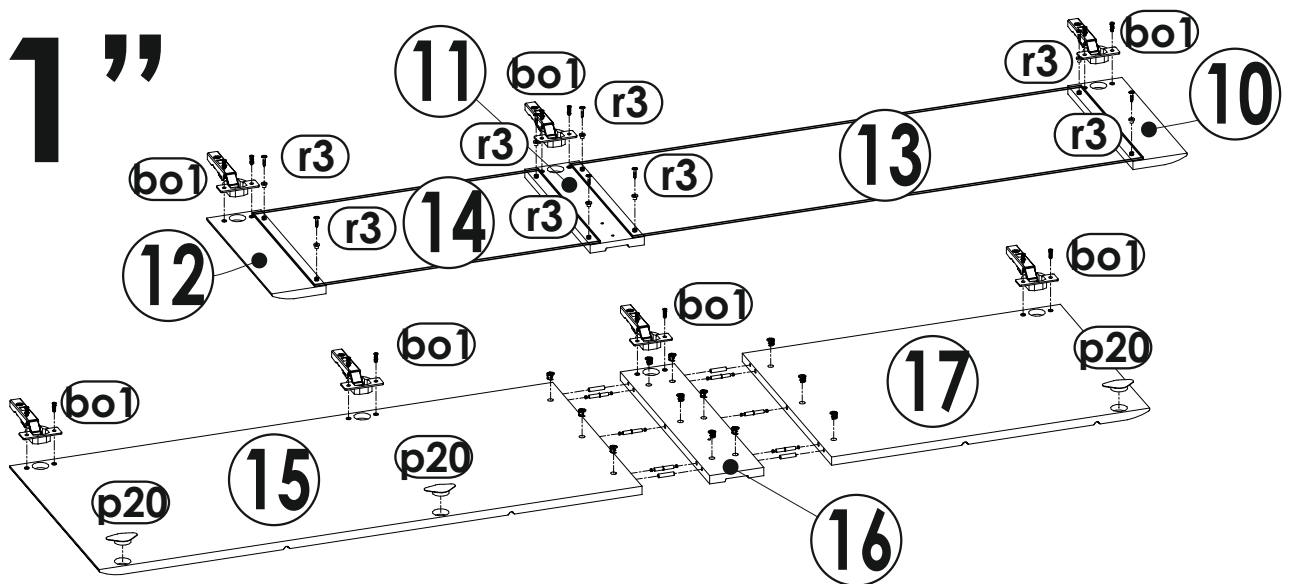
”2”



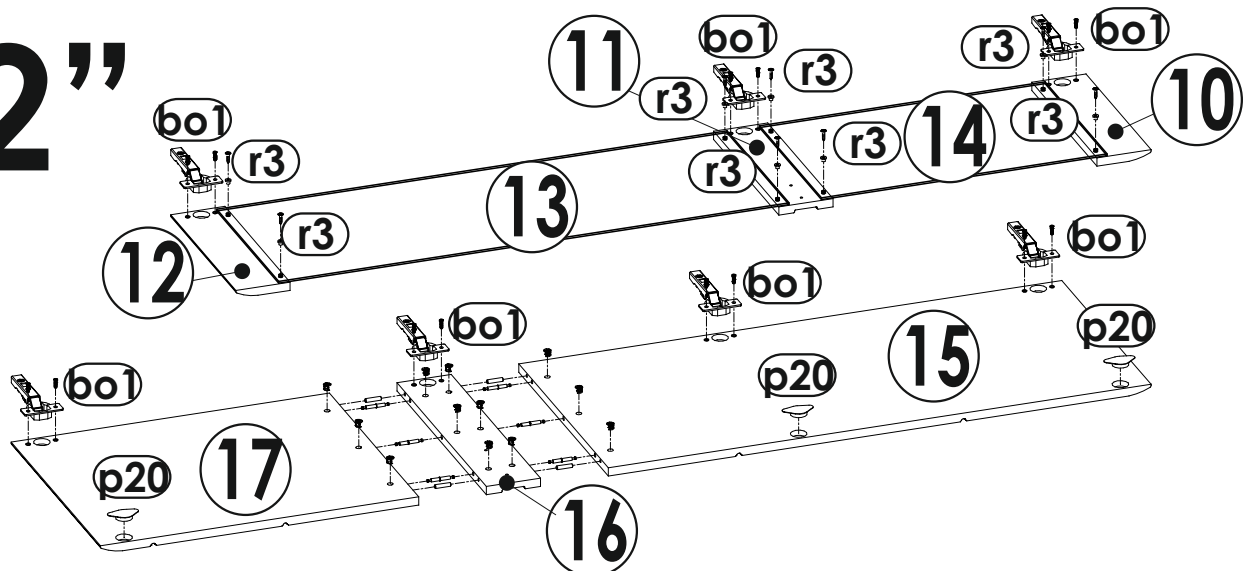
9



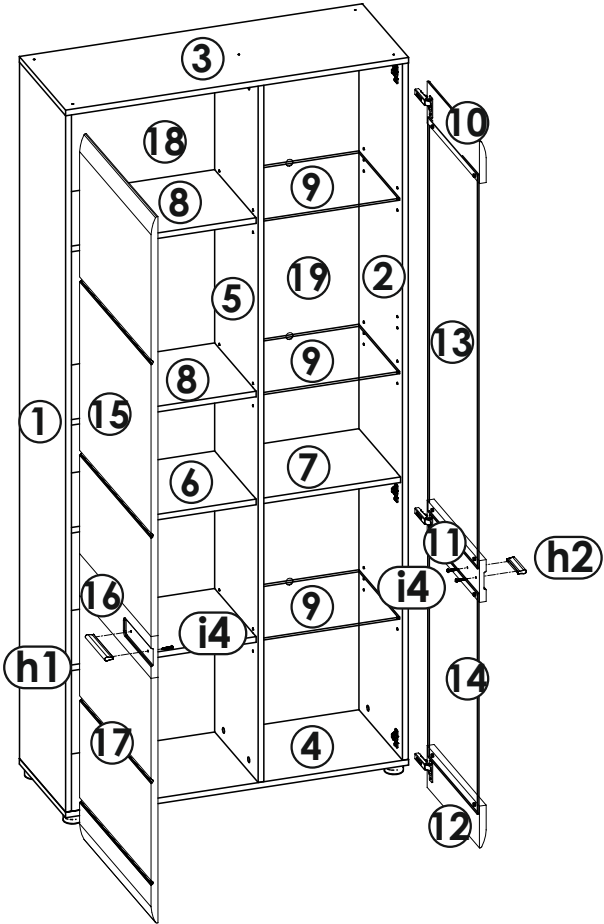
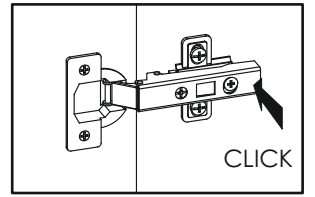
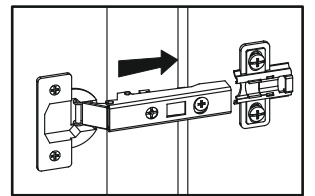
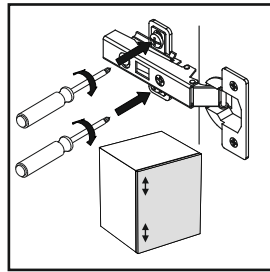
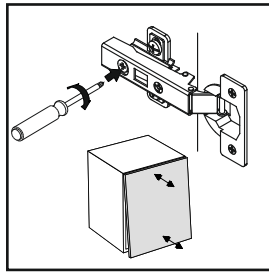
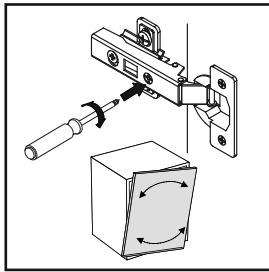
"1"



"2"



10
▼



” 1 ”
←



” 2 ”
→

