

# PALMO 2

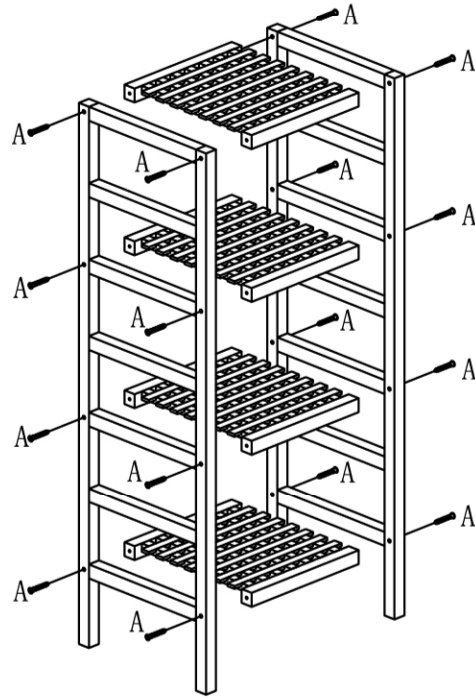
## ASSEMBLY INSTRUCTION/ MONTAGEANLEITUNG

A  X16



BX1

①



②

