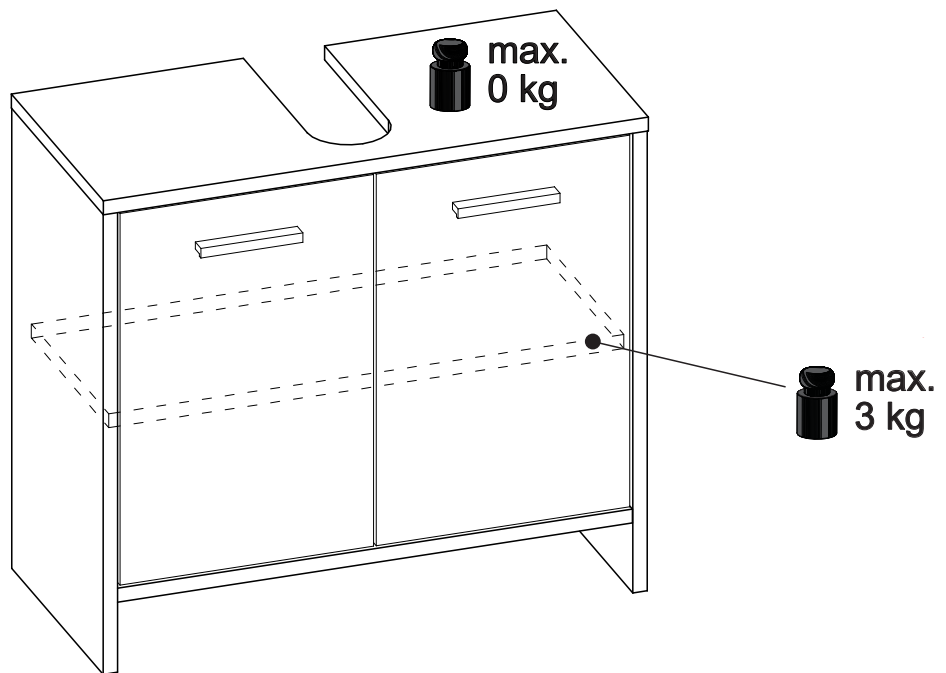
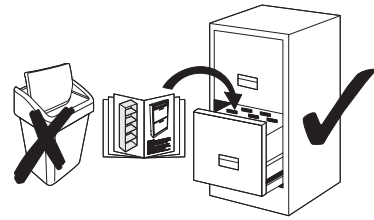
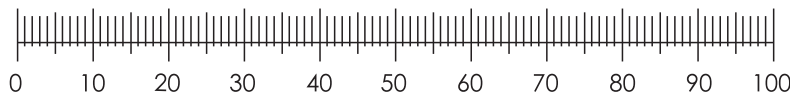
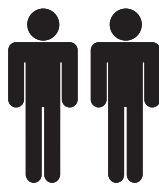
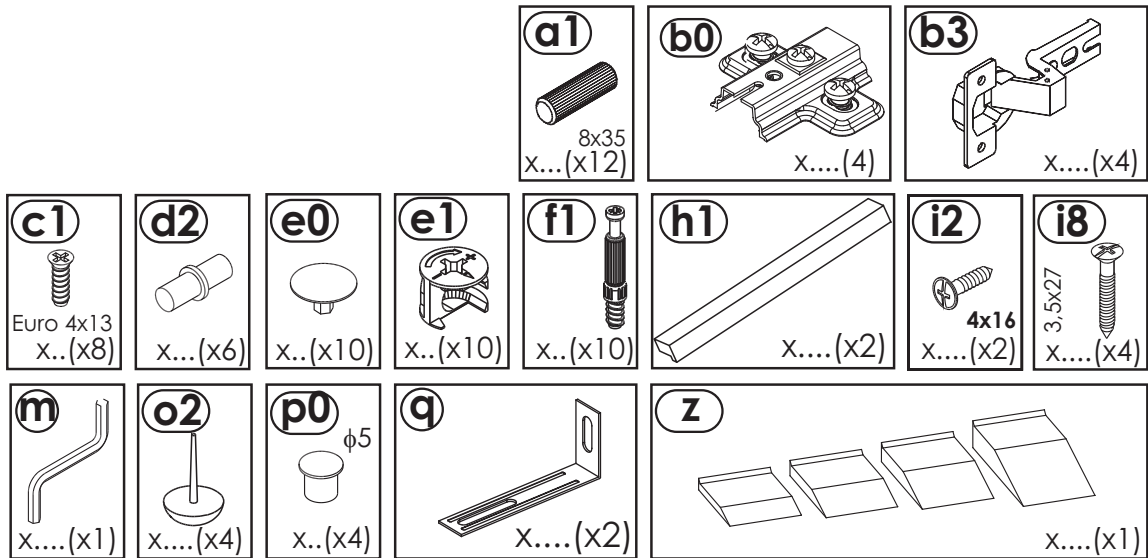
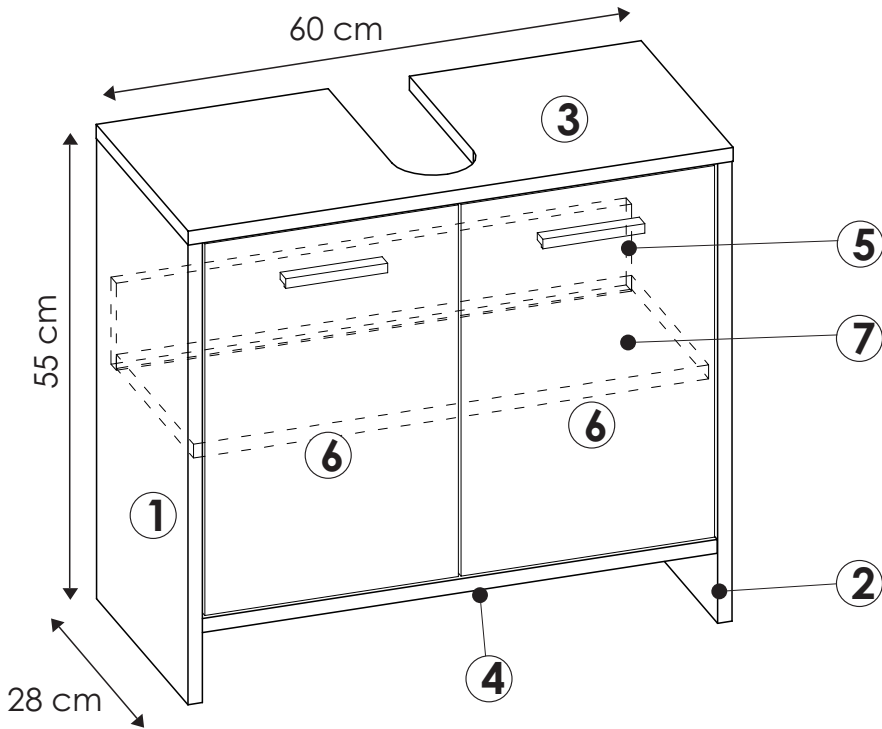


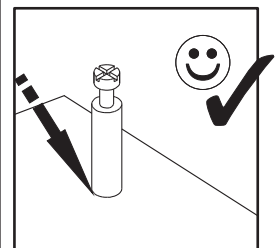
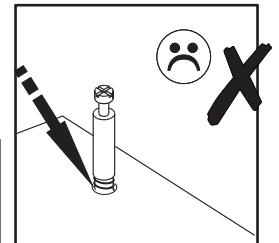
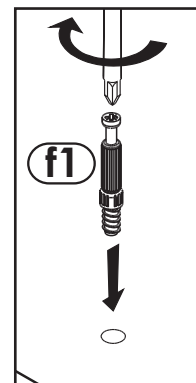
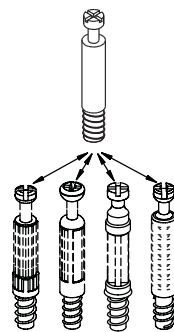
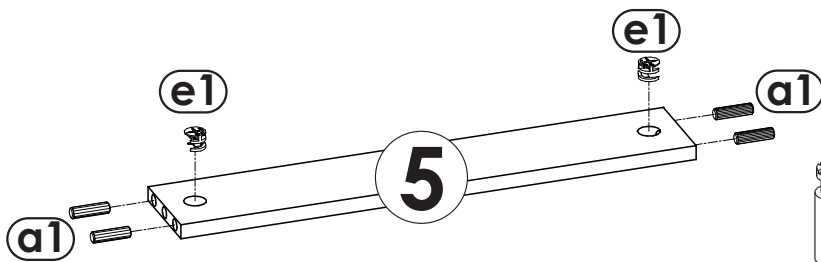
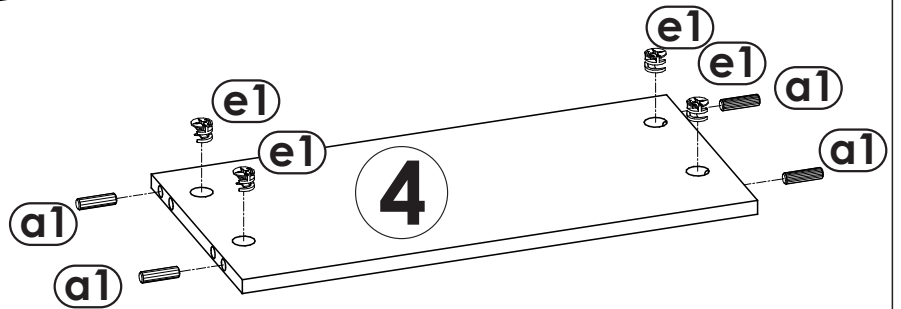
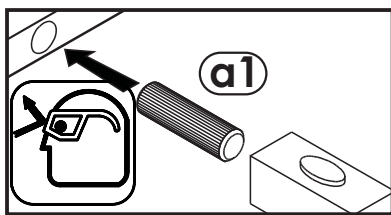
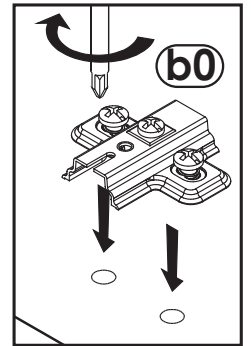
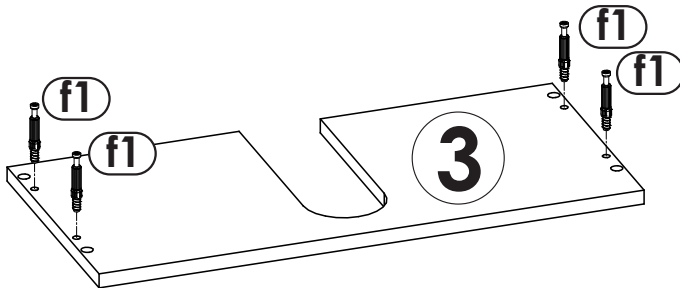
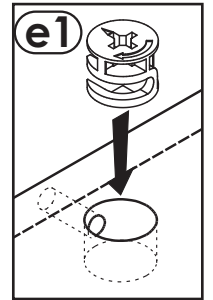
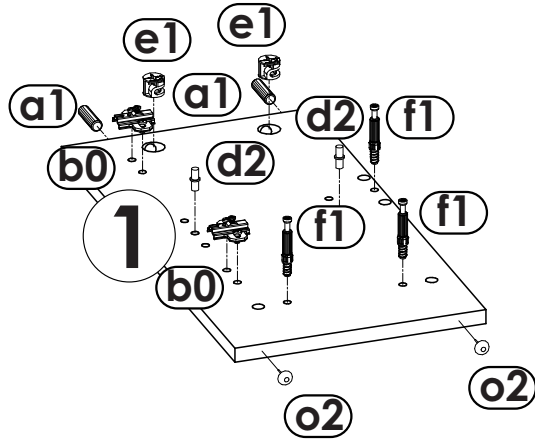
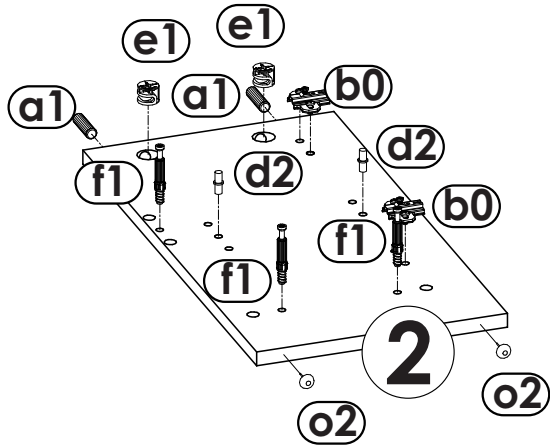
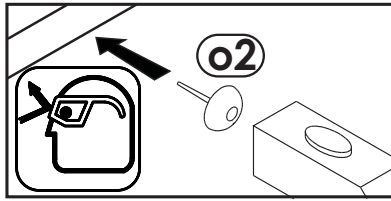
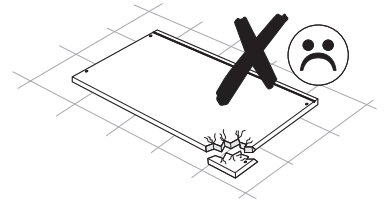
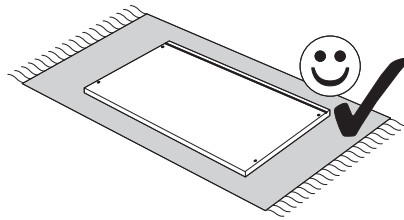
# ATTACK ATK02



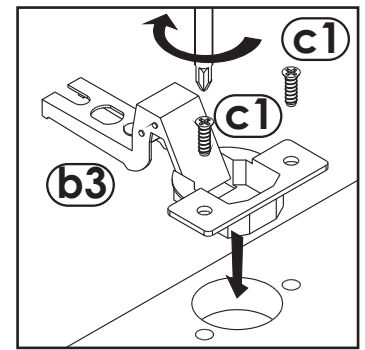
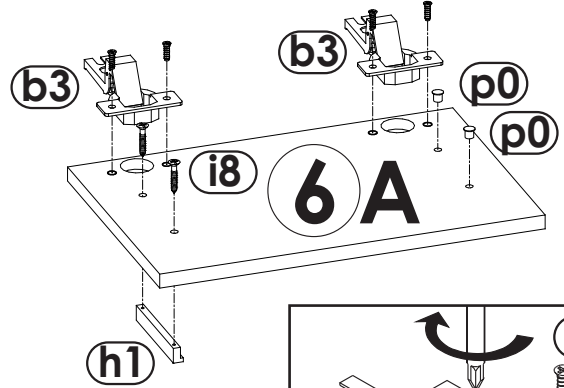
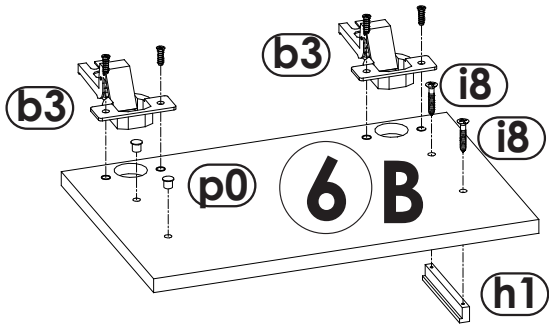
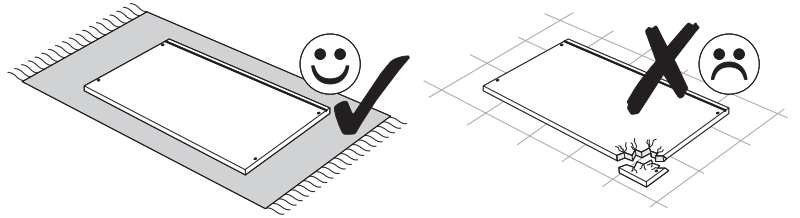
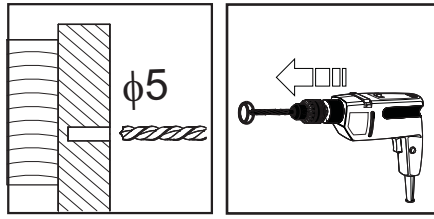
# ATTACK ATK02



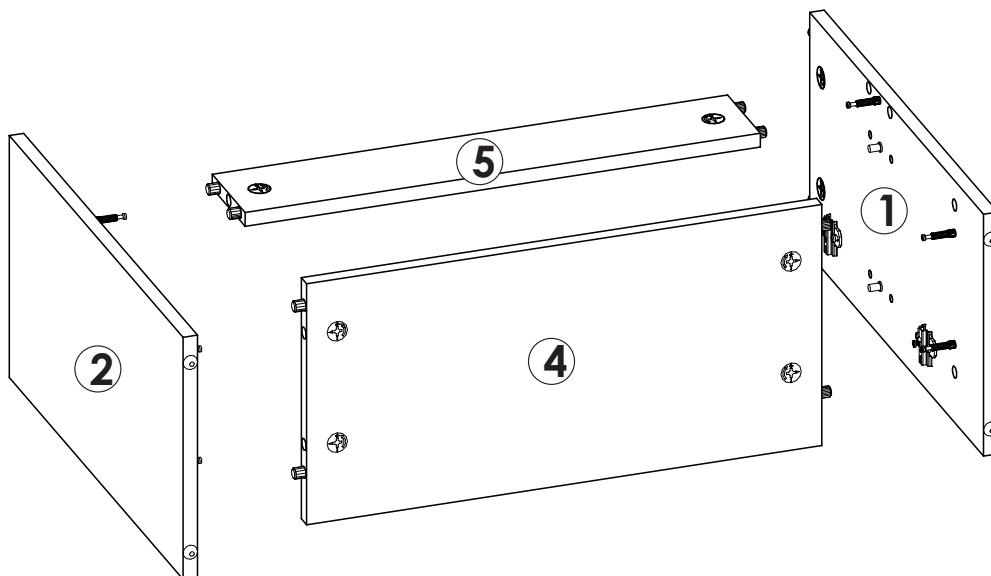
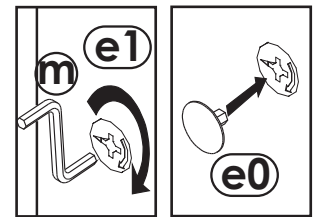
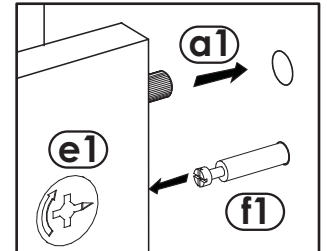
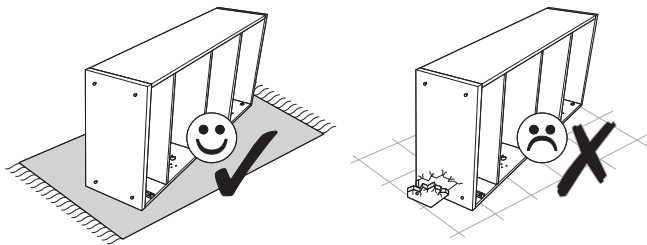
1  
↓



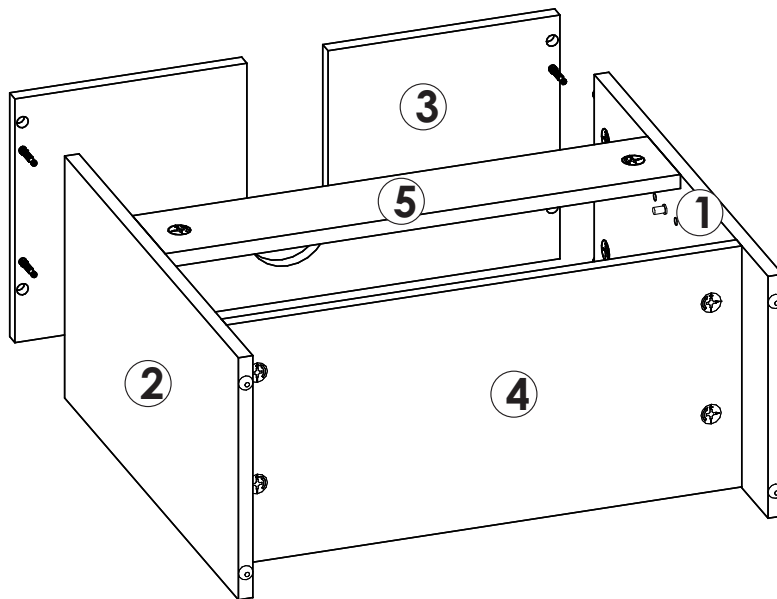
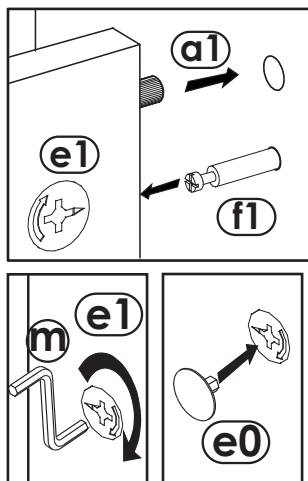
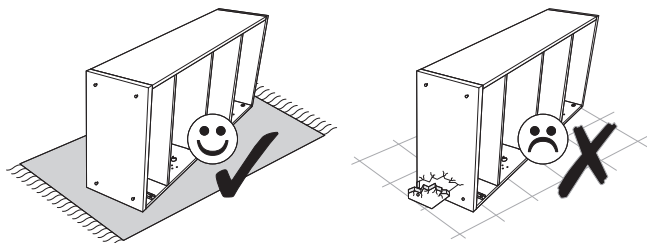
# 2



# 3



4  
▼



**5**

