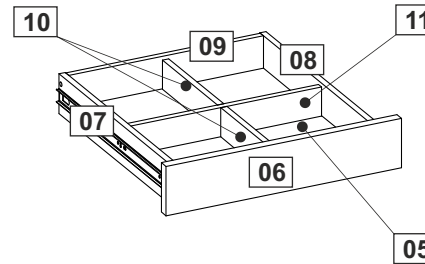
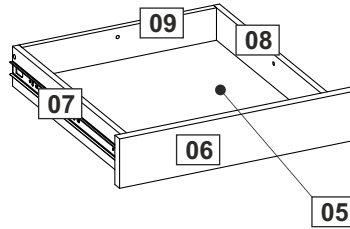
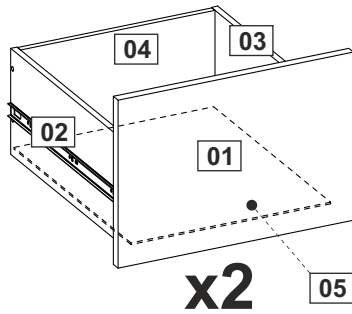
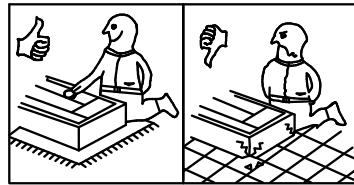
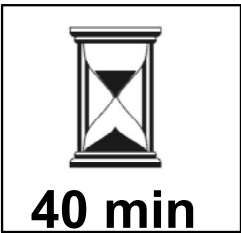
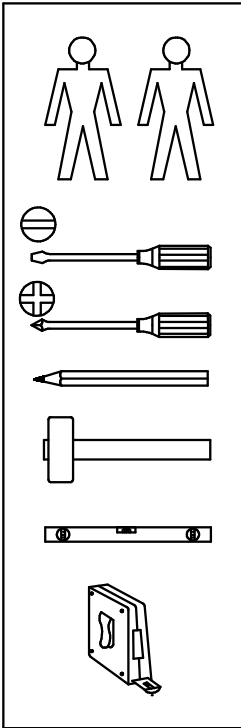
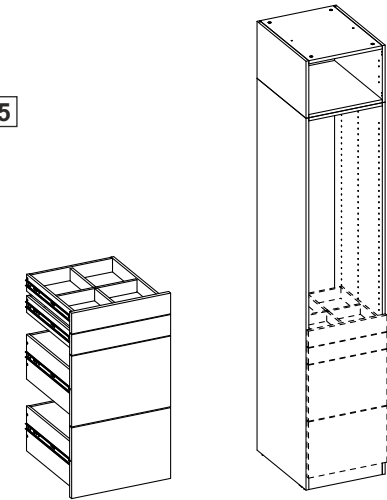


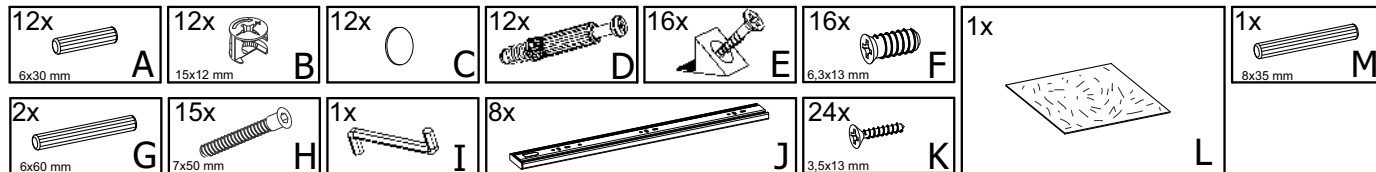
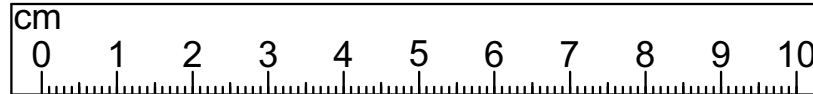
# TYP 87,88



|    |            |    |     |
|----|------------|----|-----|
| 01 | 453x317x18 | x2 | 1/1 |
| 02 | 450x200x12 | x2 | 1/1 |
| 03 | 450x200x12 | x2 | 1/1 |
| 04 | 374x200x12 | x2 | 1/1 |
| 05 | 450x384x3  | x4 | 1/1 |
| 06 | 453x93x18  | x2 | 1/1 |
| 07 | 450x75x12  | x2 | 1/1 |
| 08 | 450x75x12  | x2 | 1/1 |
| 09 | 374x75x12  | x2 | 1/1 |
| 10 | 212x55x12  | x2 | 1/1 |
| 11 | 374x55x12  | x1 | 1/1 |



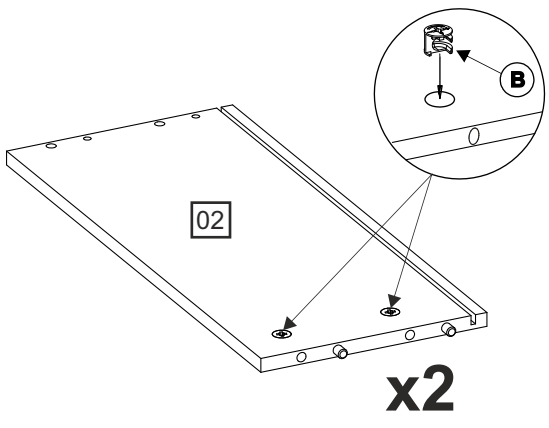
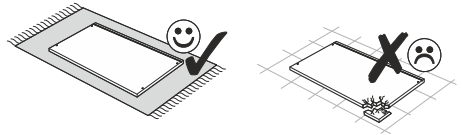
C 1/1



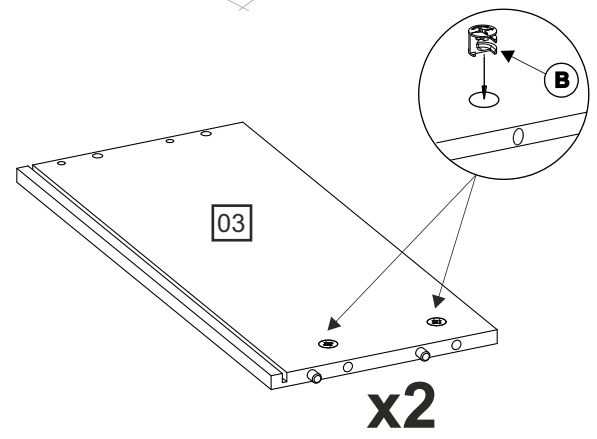
# UNIT

# 1

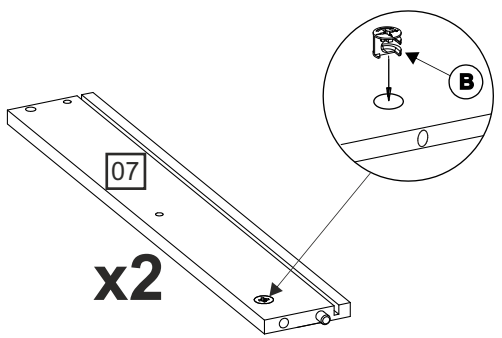
12x  
15x12 mm  
**B**



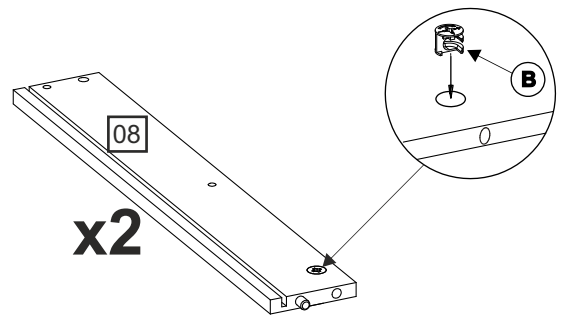
**x2**



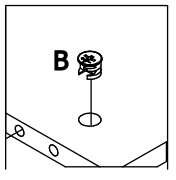
**x2**



**x2**



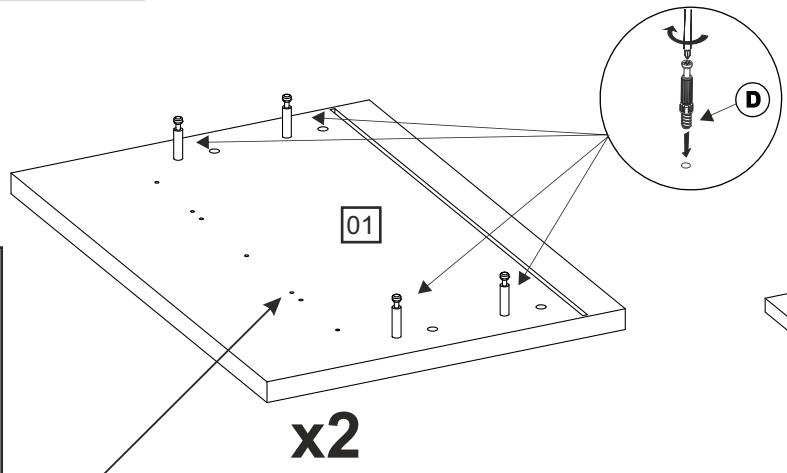
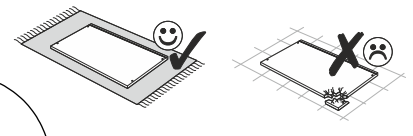
**x2**



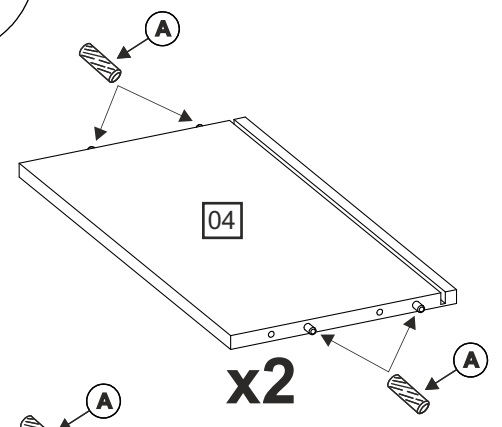
12x  
15x12 mm  
**D**

12x  
6x30 mm  
**A**

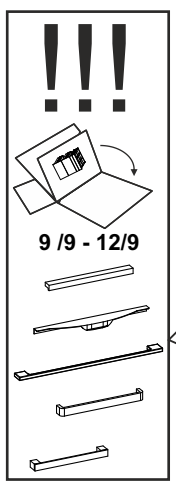
# 2



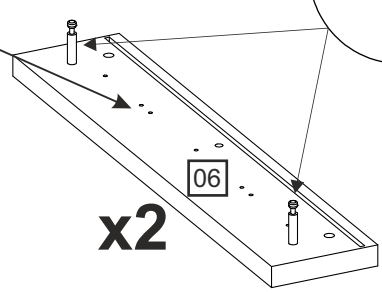
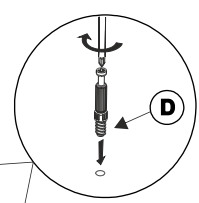
**x2**



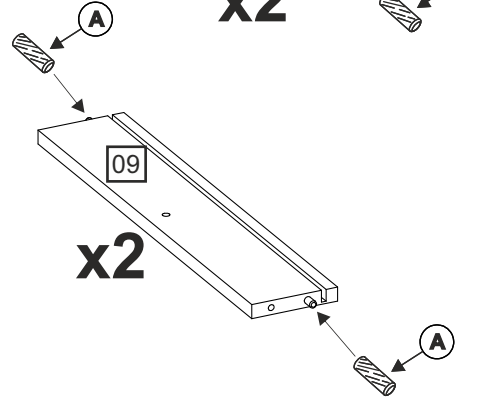
**x2**



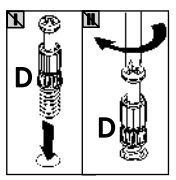
9 / 9 - 12 / 9



**x2**



**x2**



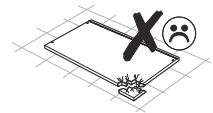
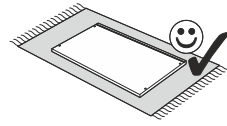
# UNIT

2x  
6x60 mm  
**G**

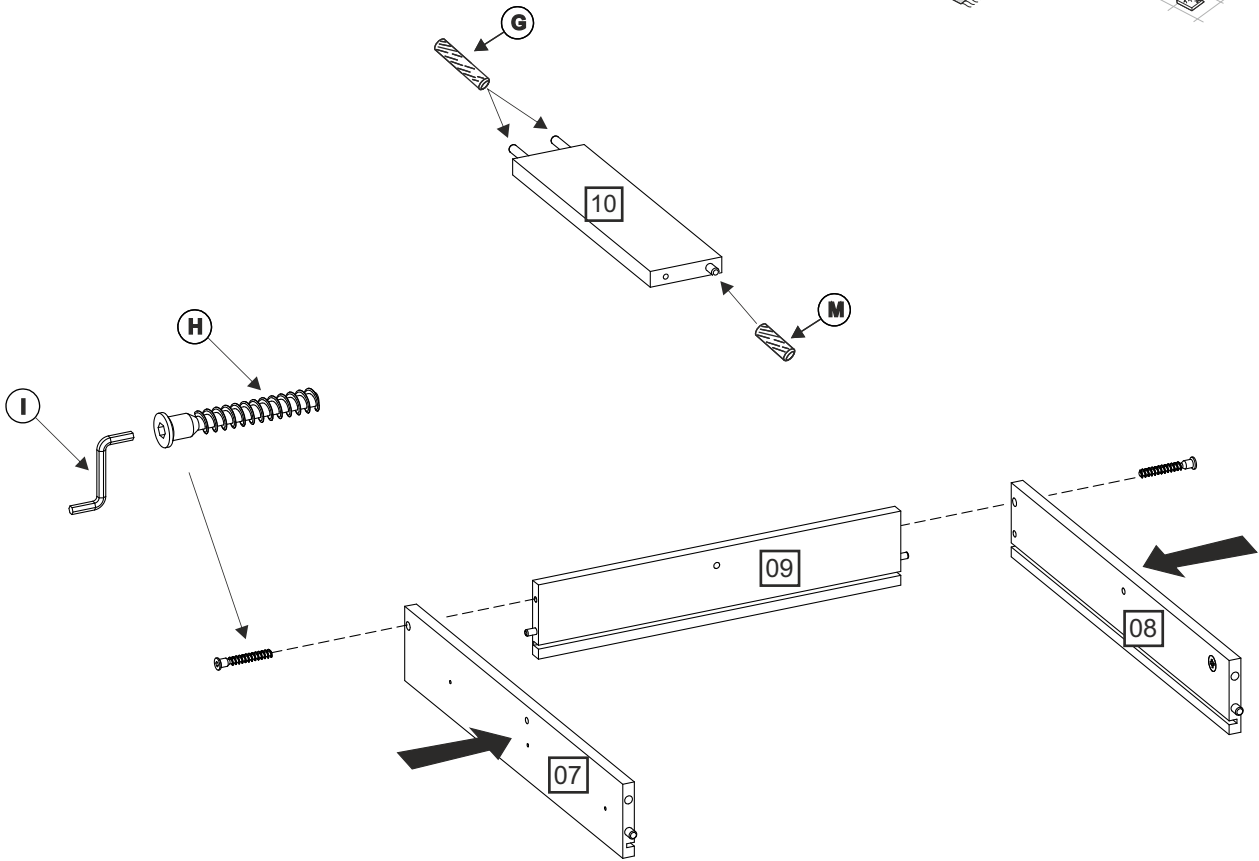
1x  
8x35 mm  
**M**

2x  
7x50 mm  
**H**

1x  
**I**

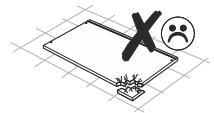
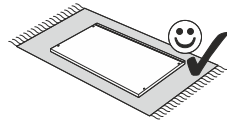


# 3

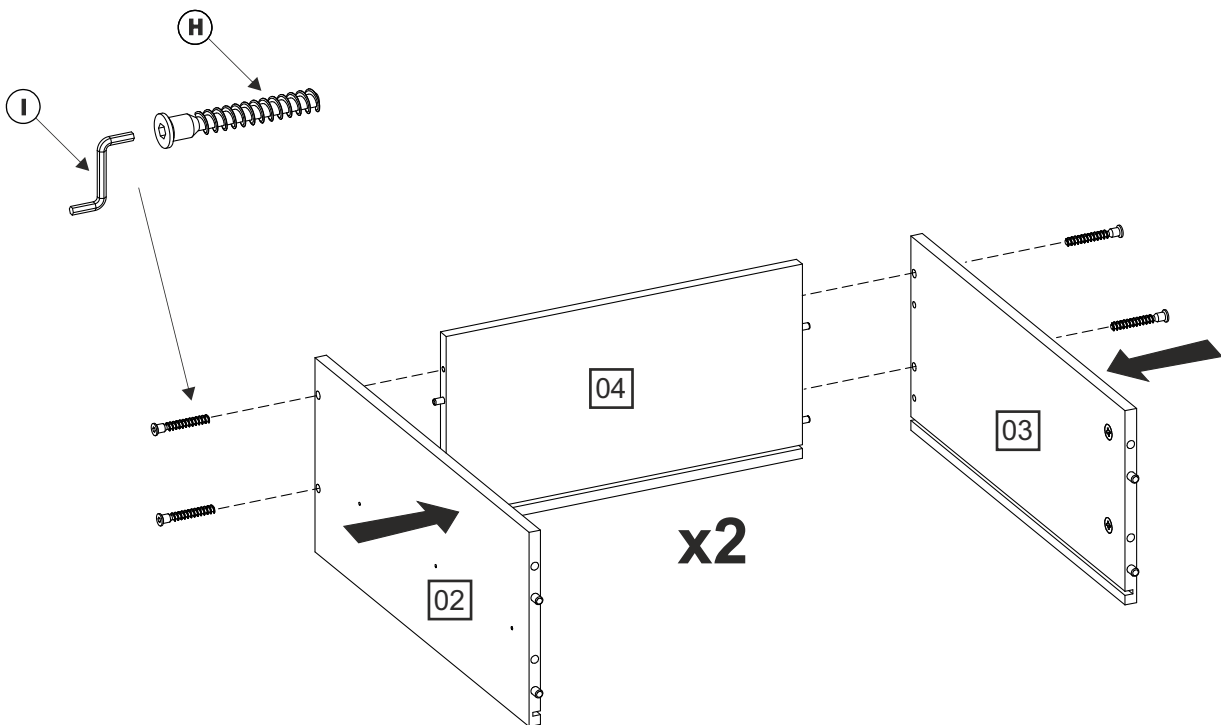


8x  
7x50 mm  
**H**

1x  
**I**

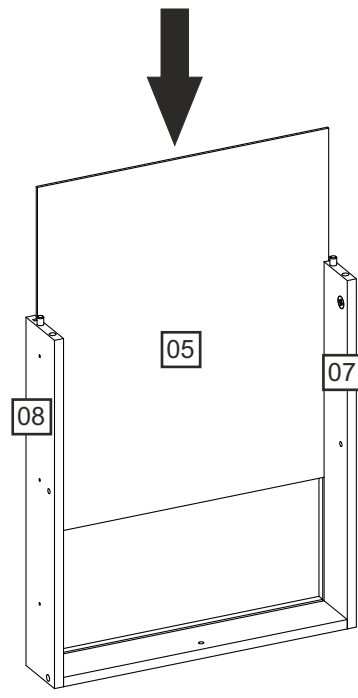
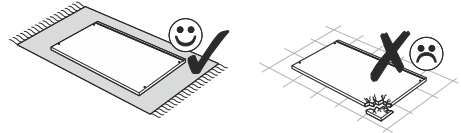
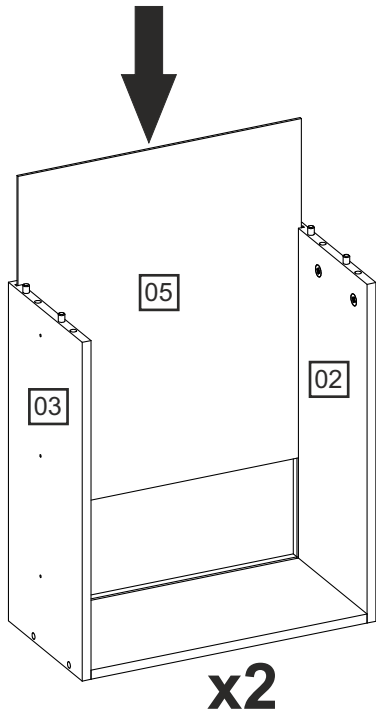


# 4

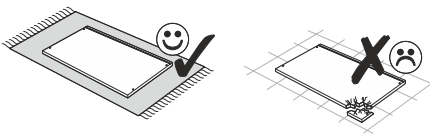


UNIT

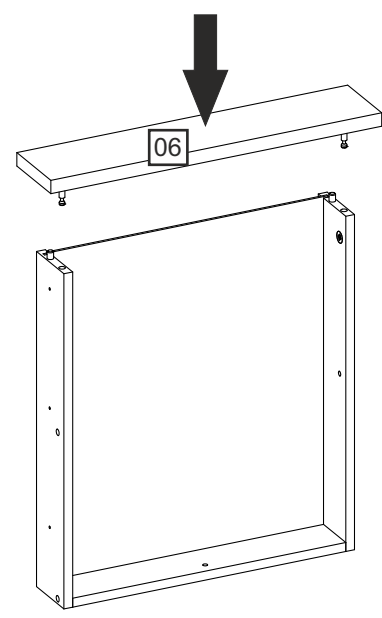
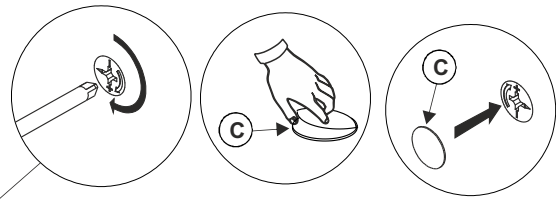
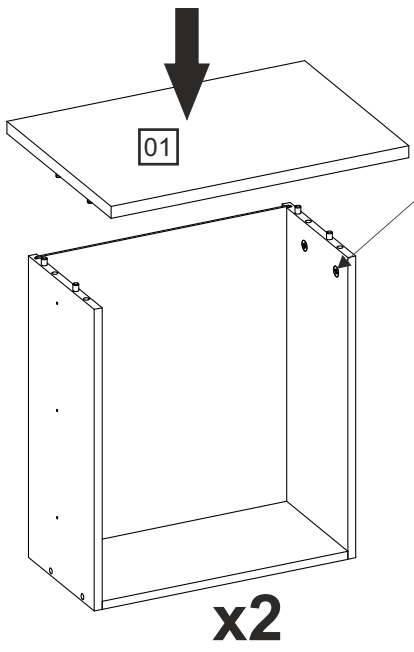
5



10x  
C

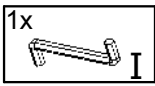
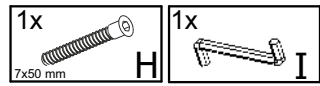
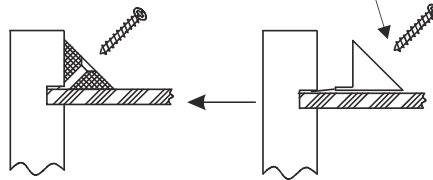
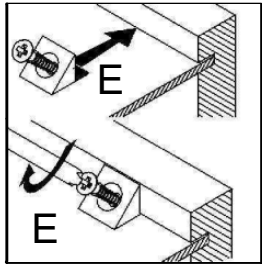
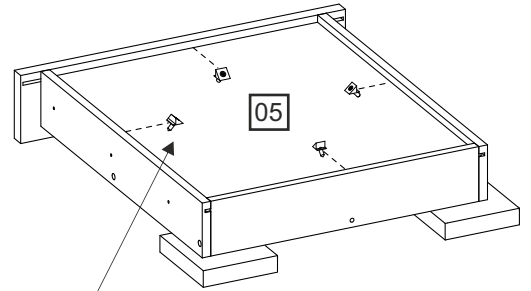
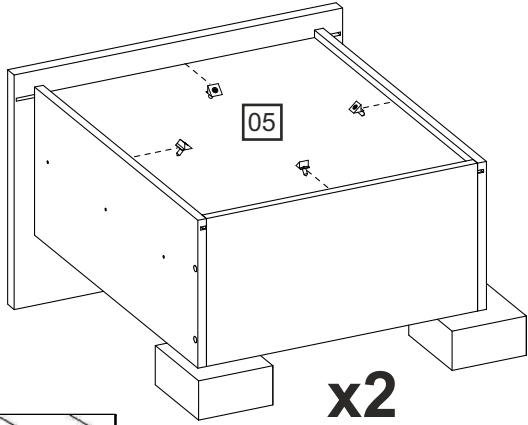
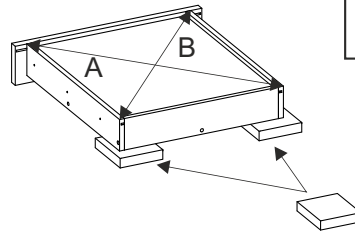
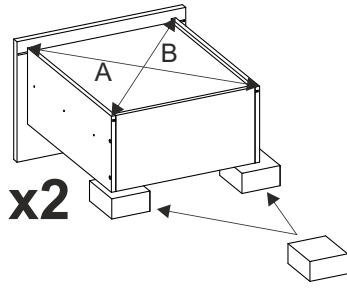


6

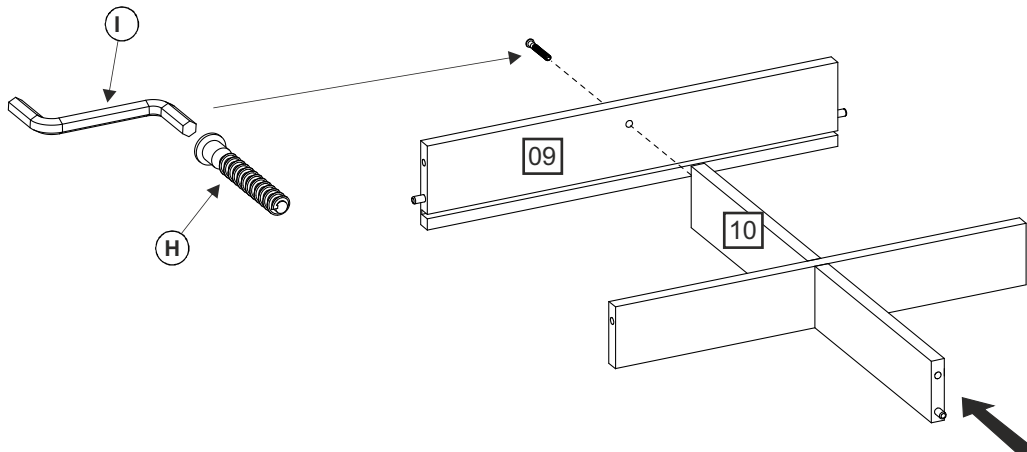
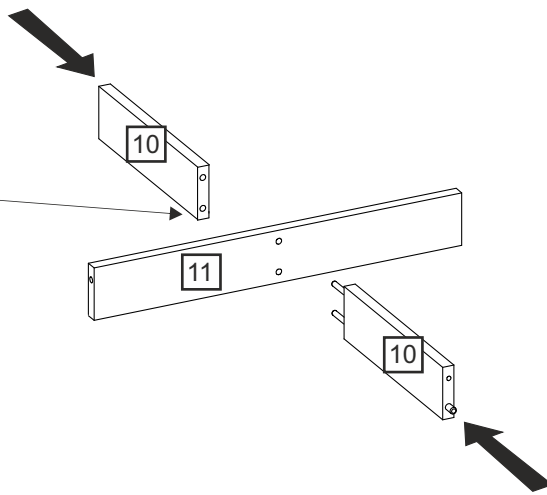
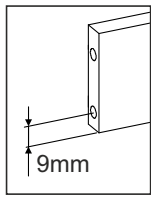


UNIT

7

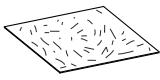




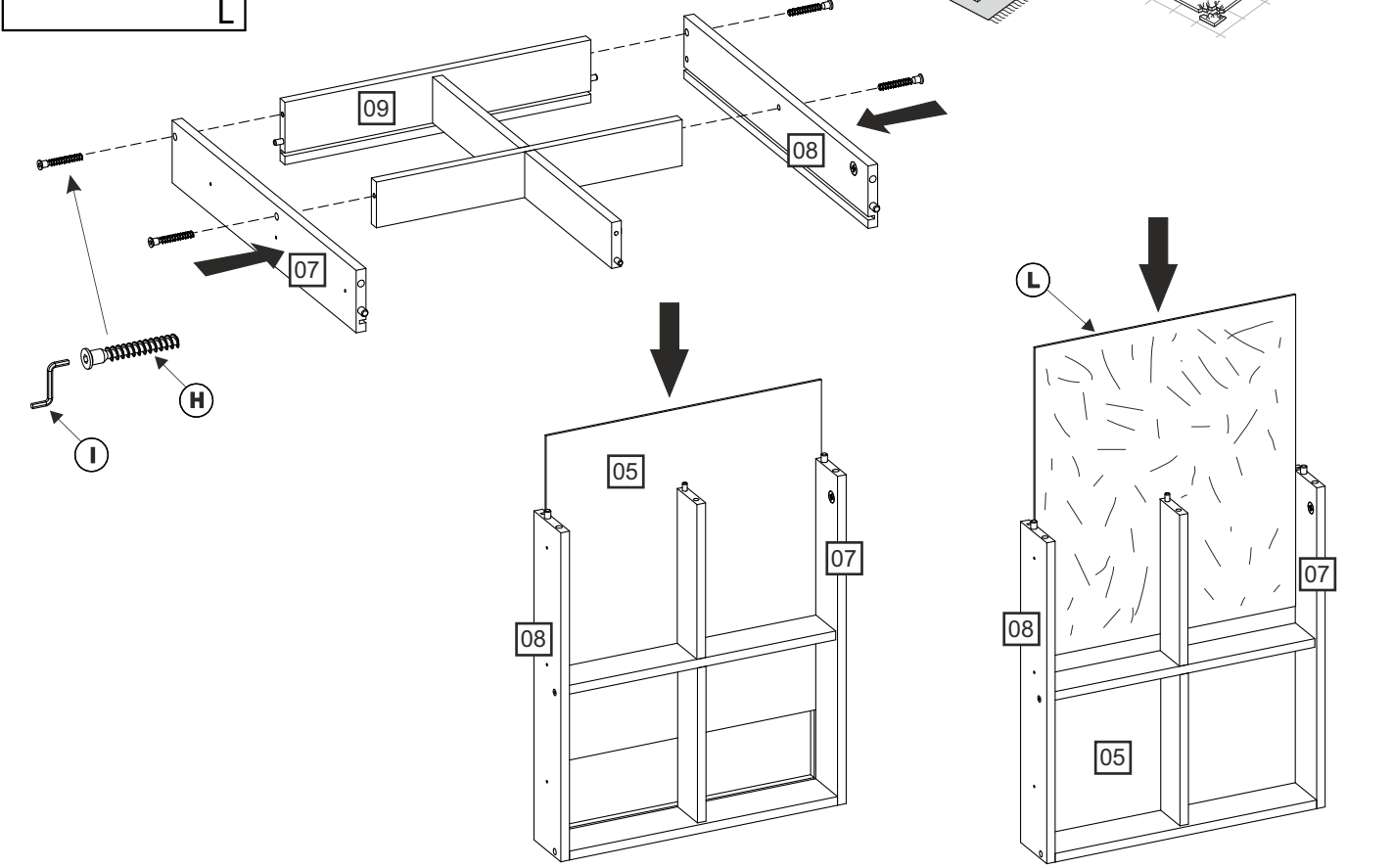
8





# UNIT

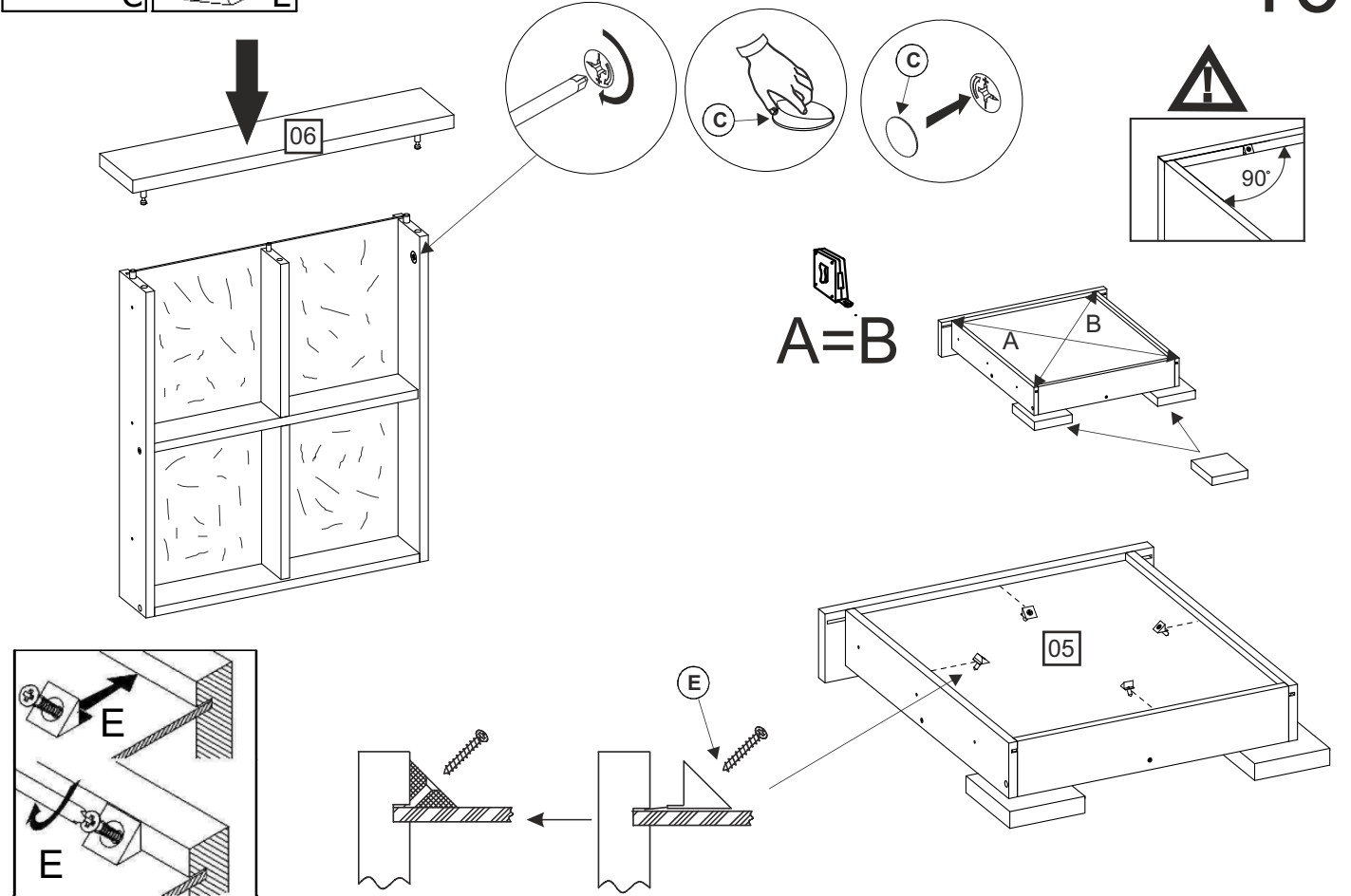
# 9

- 1x  L
- 4x  H 7x50 mm
- 1x  I



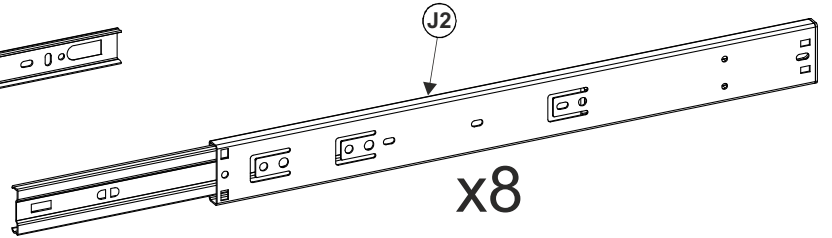
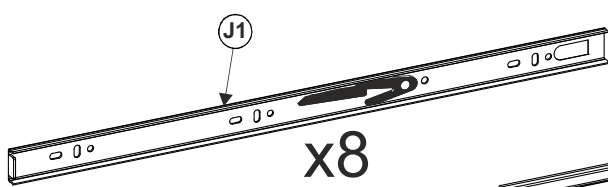
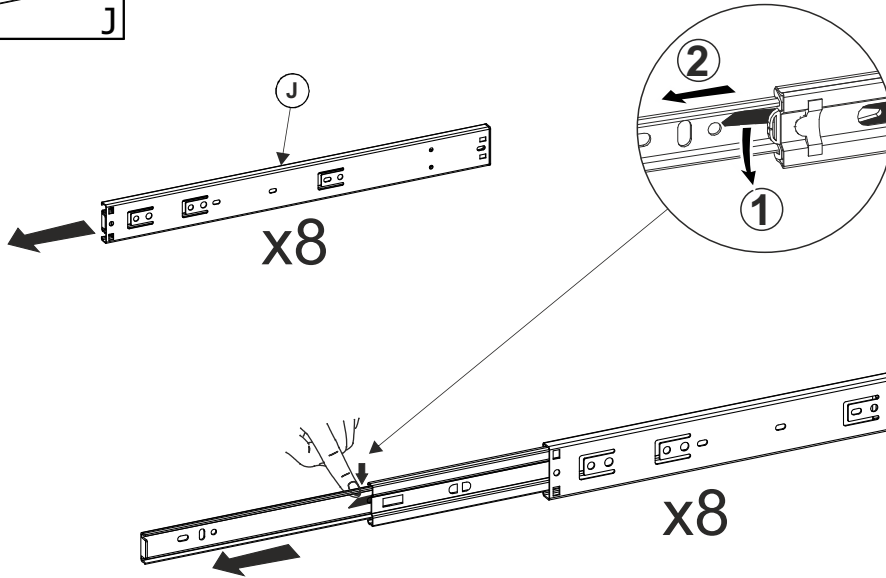
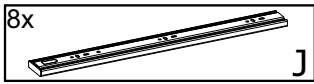
# 10

- 2x  C
- 4x  E

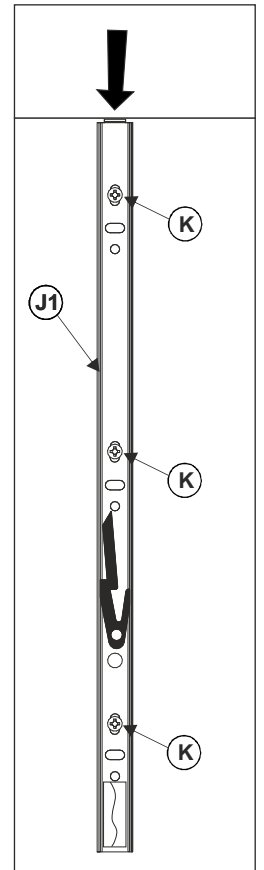
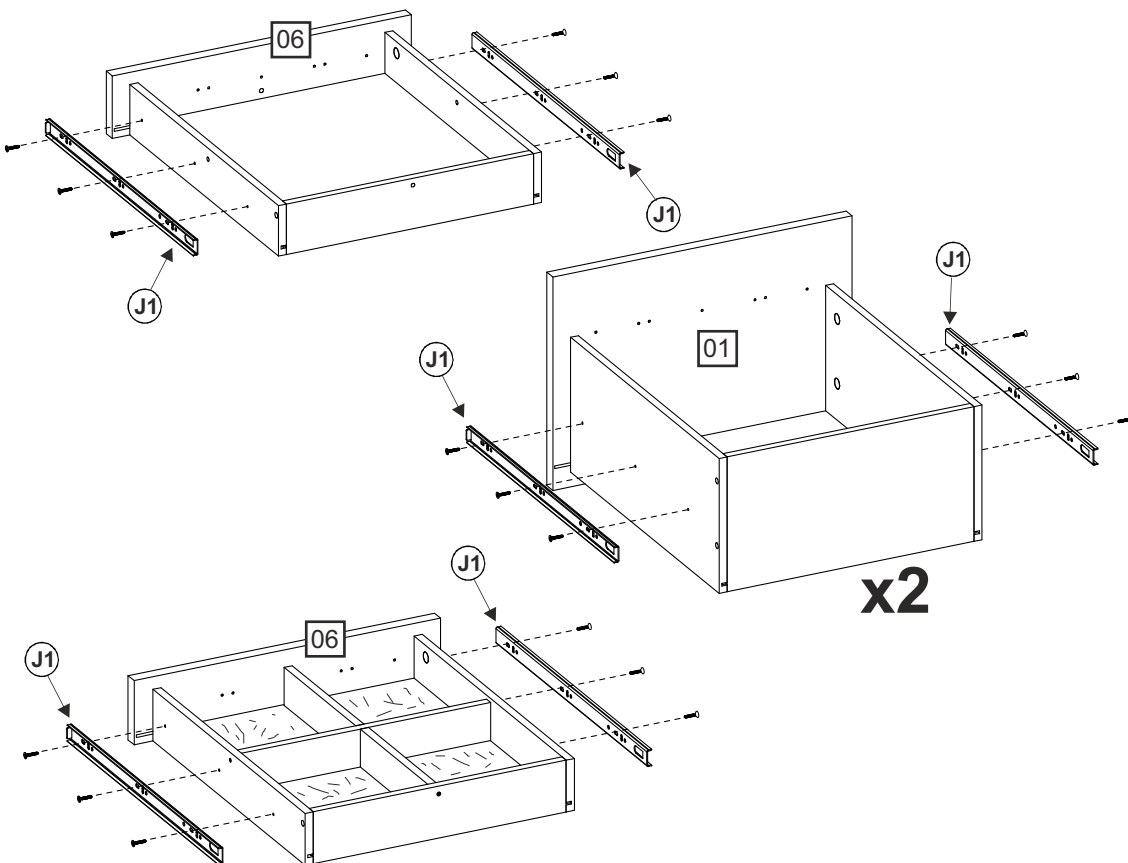


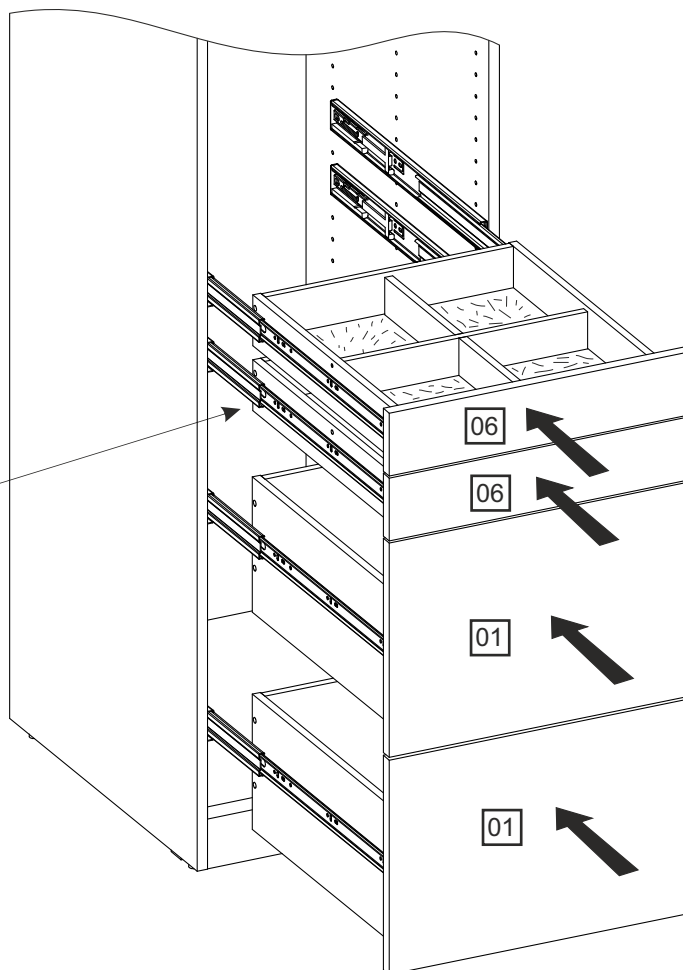
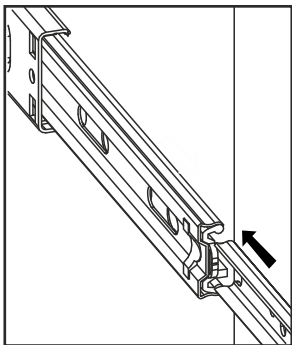
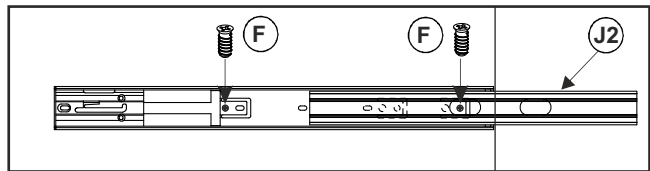
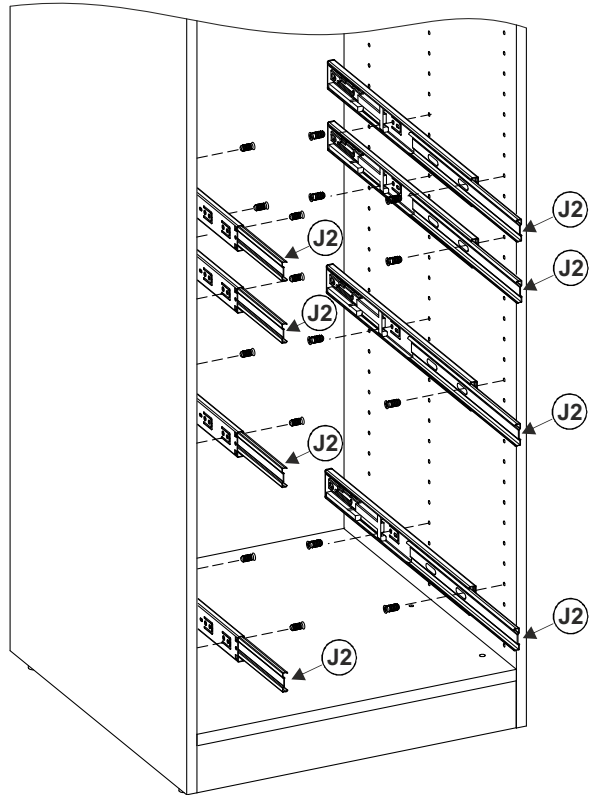
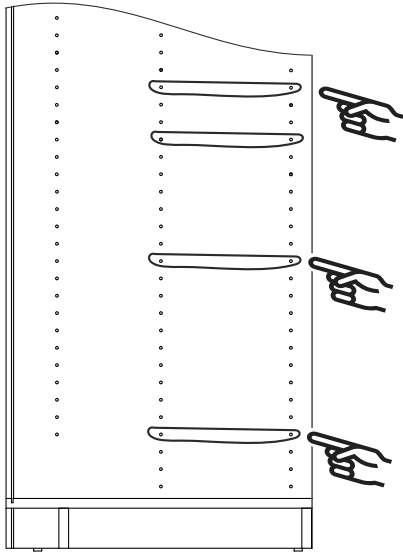
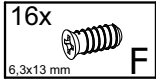
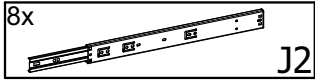
UNIT

11



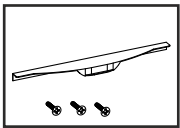
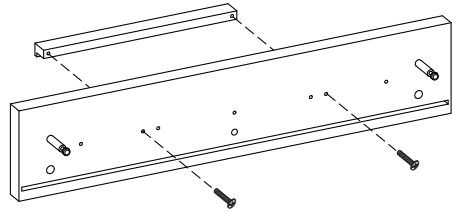
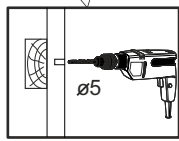
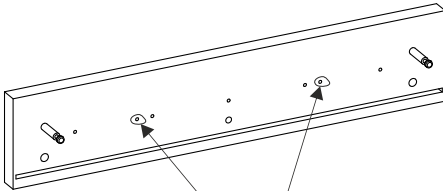
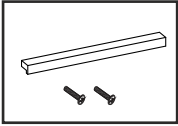
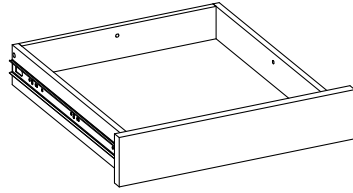
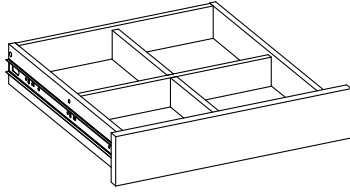
12



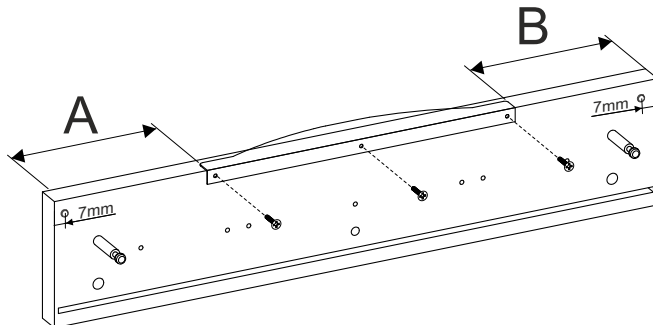




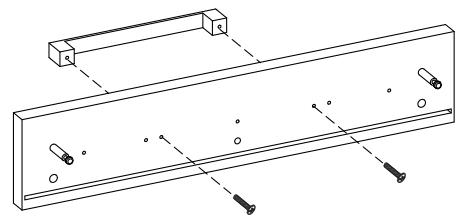
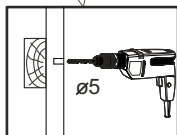
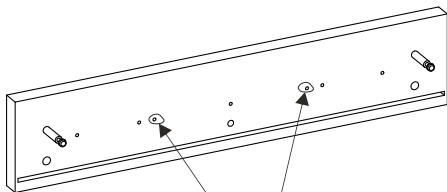
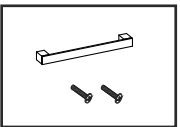
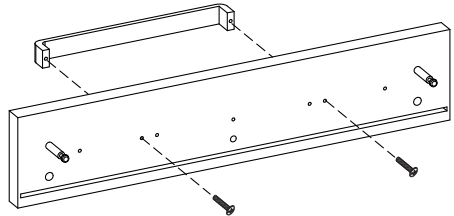
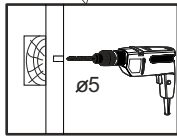
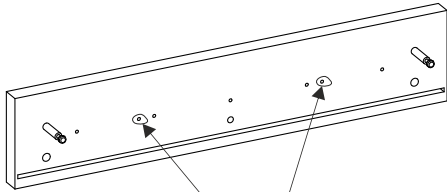
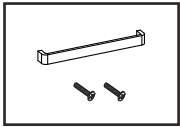
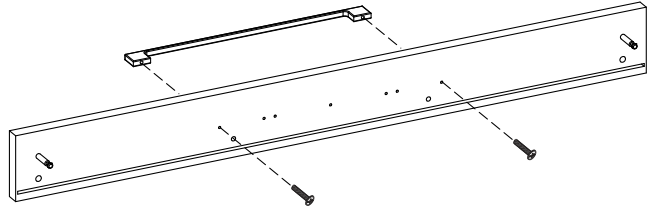
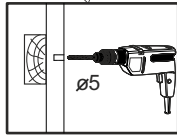
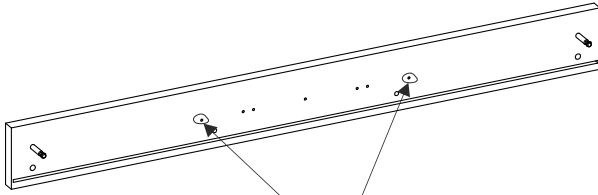
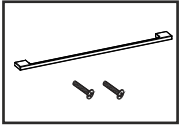
# UNIT



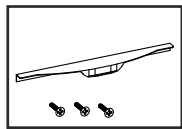
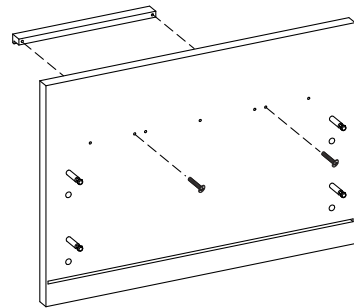
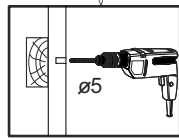
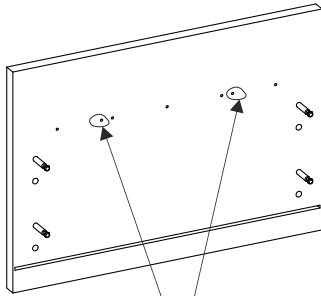
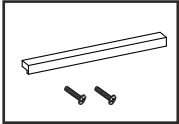
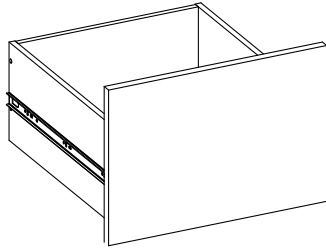
**A=B**



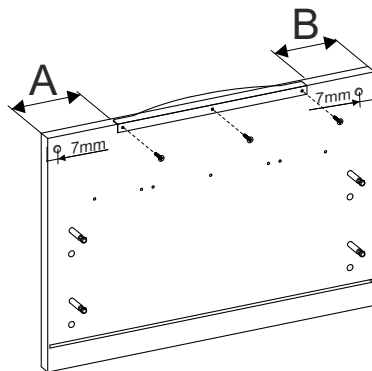
# UNIT



# UNIT



**A=B**



# UNIT

