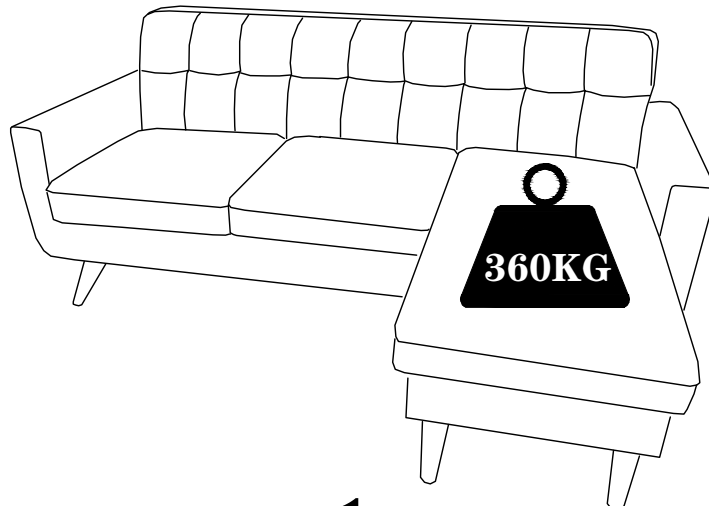
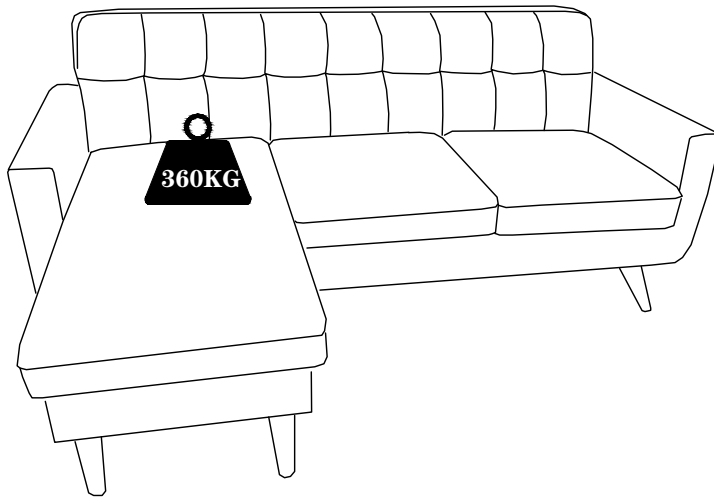
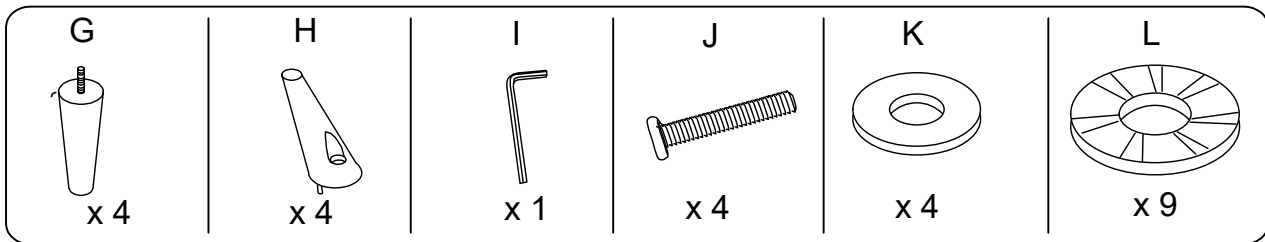
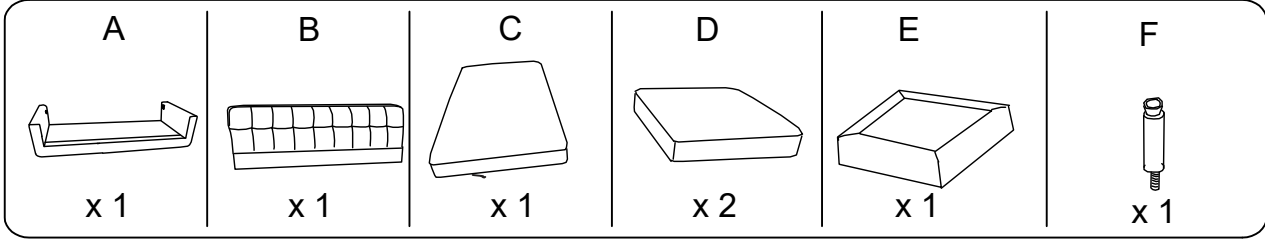
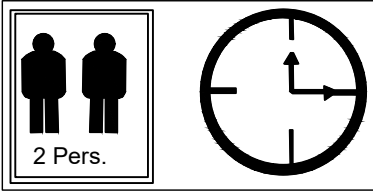
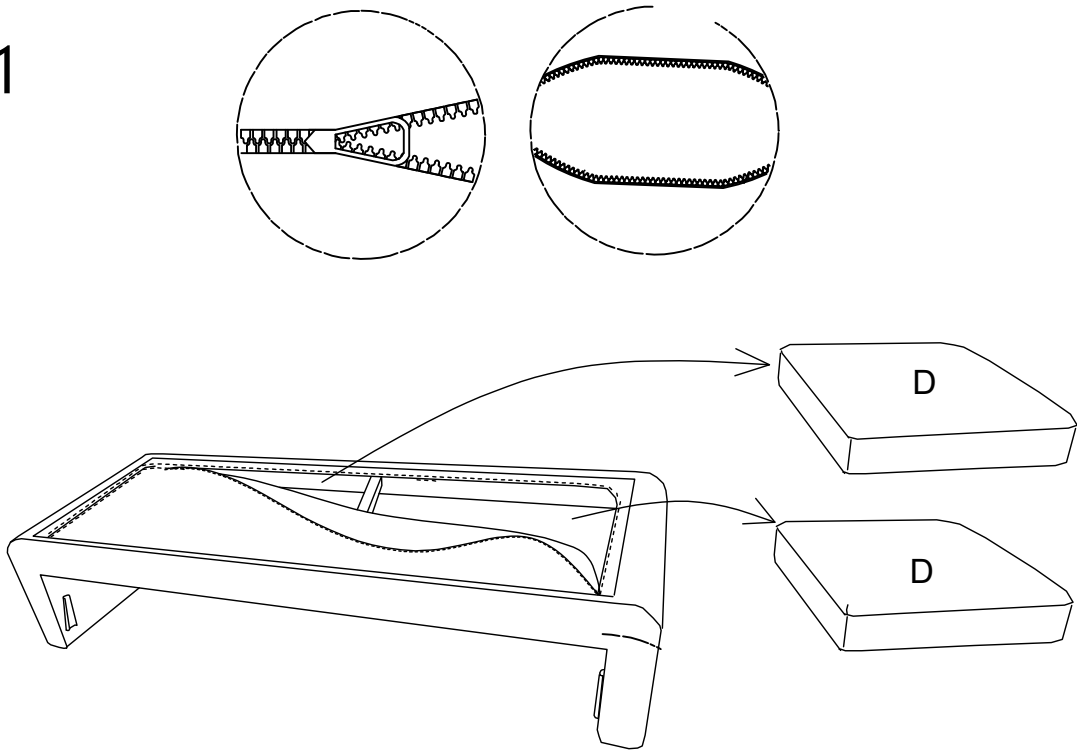


ASSEMBLY INSTRUCTTIONS

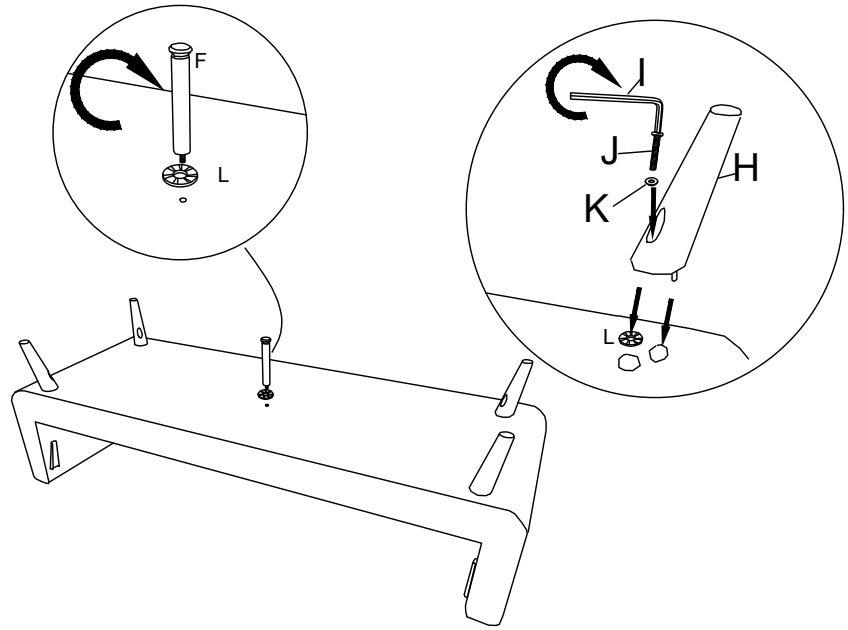
Article Number: 25770027-01&02&03



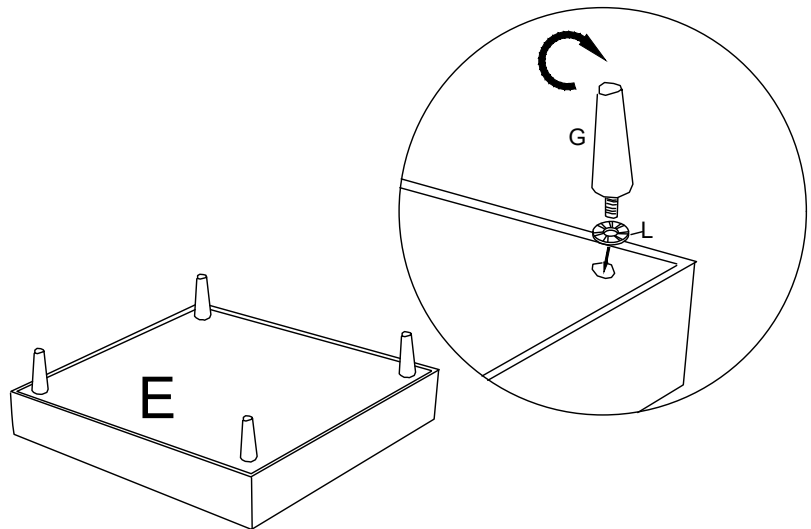
Step 1



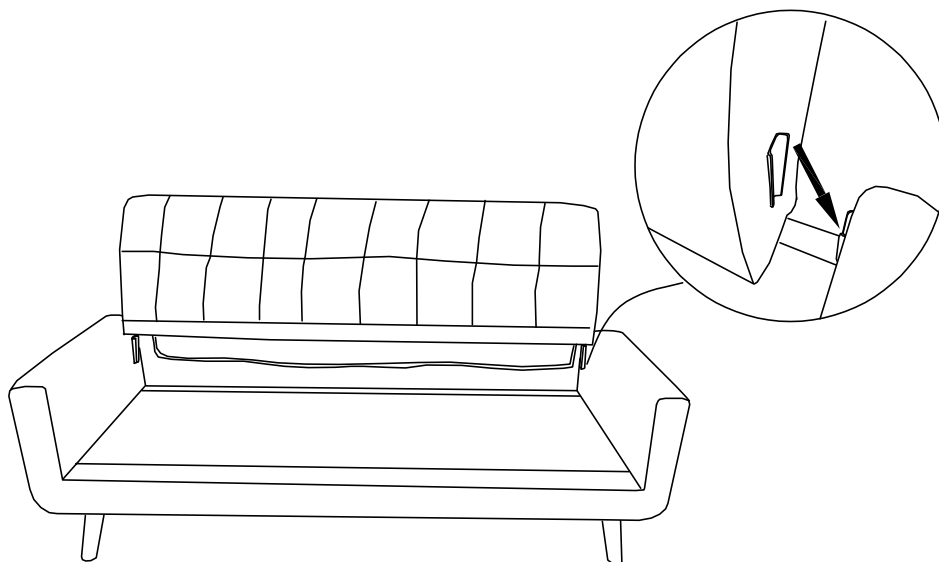
Step 2



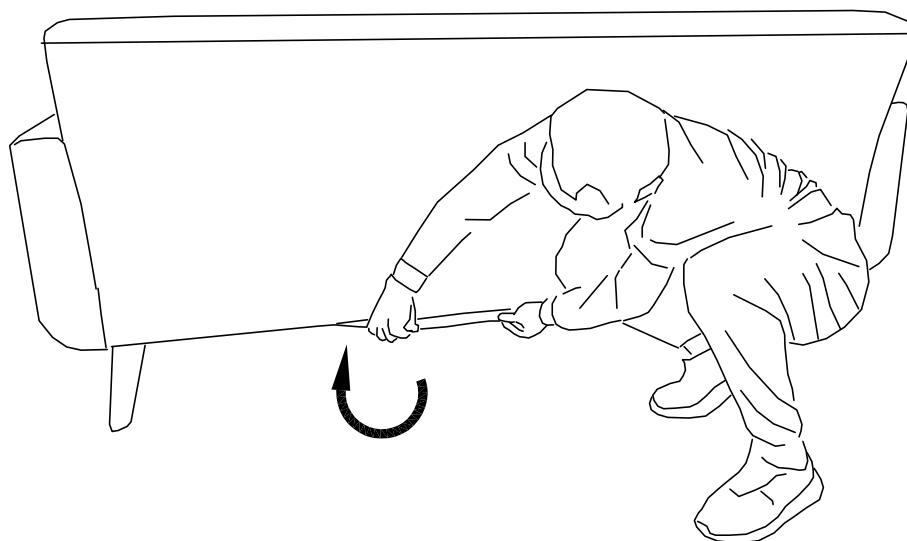
Step 3



Step 4



Step 5



Step 6

