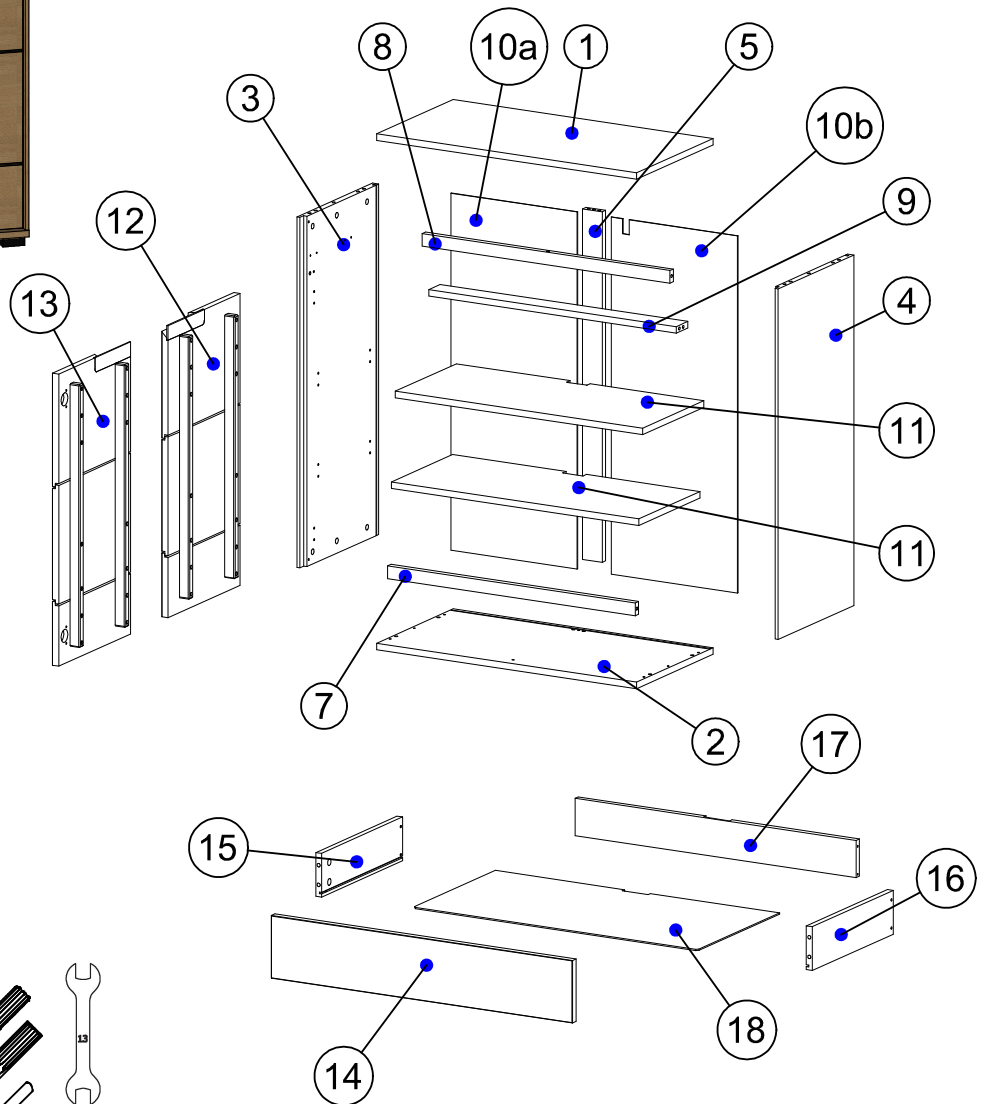
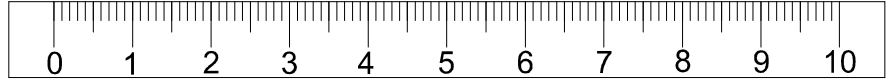


3986

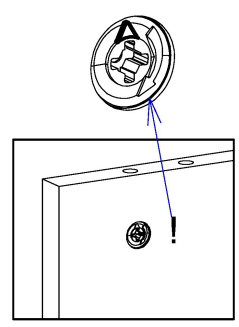
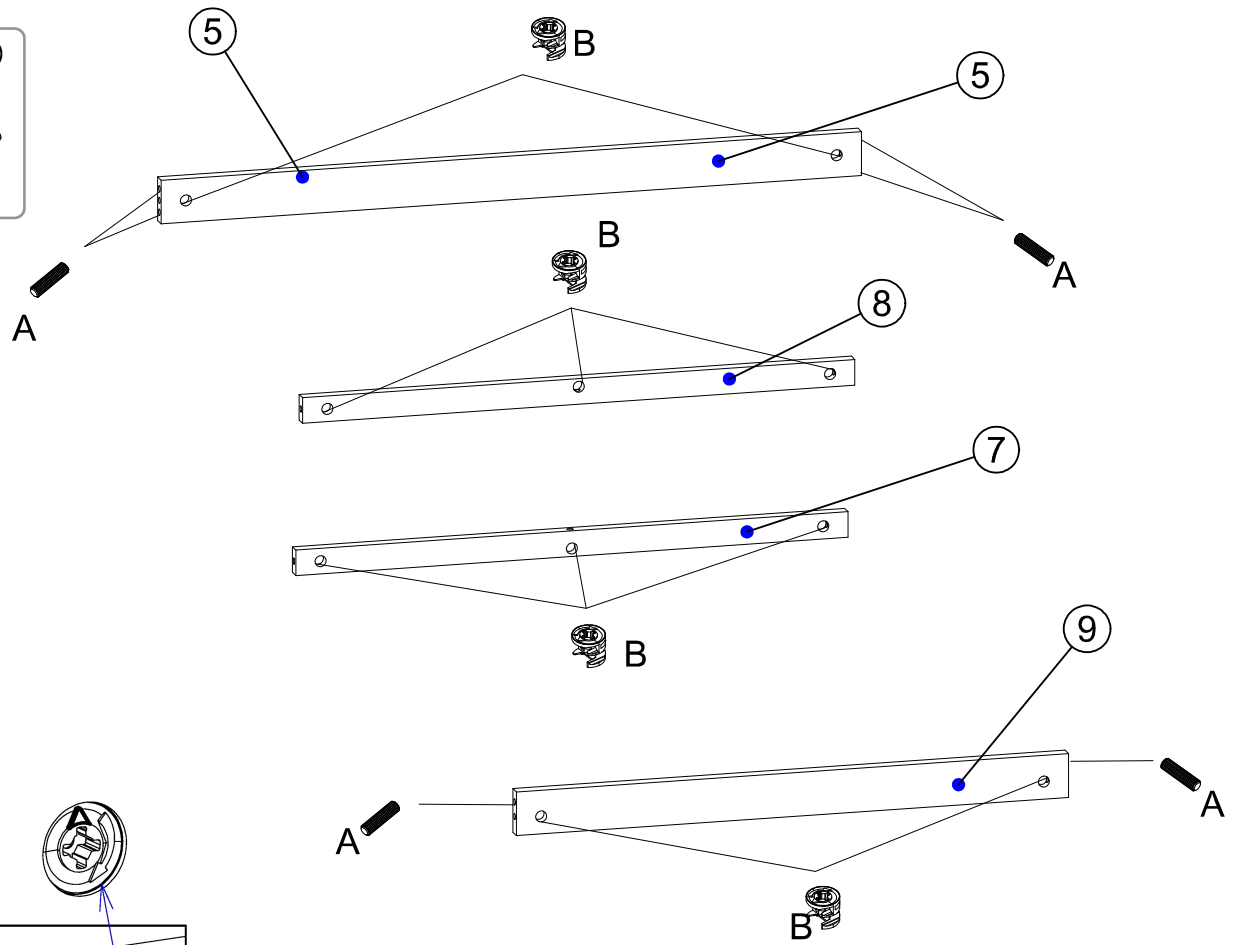
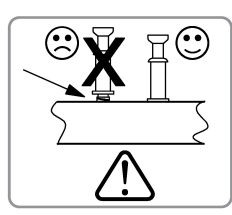
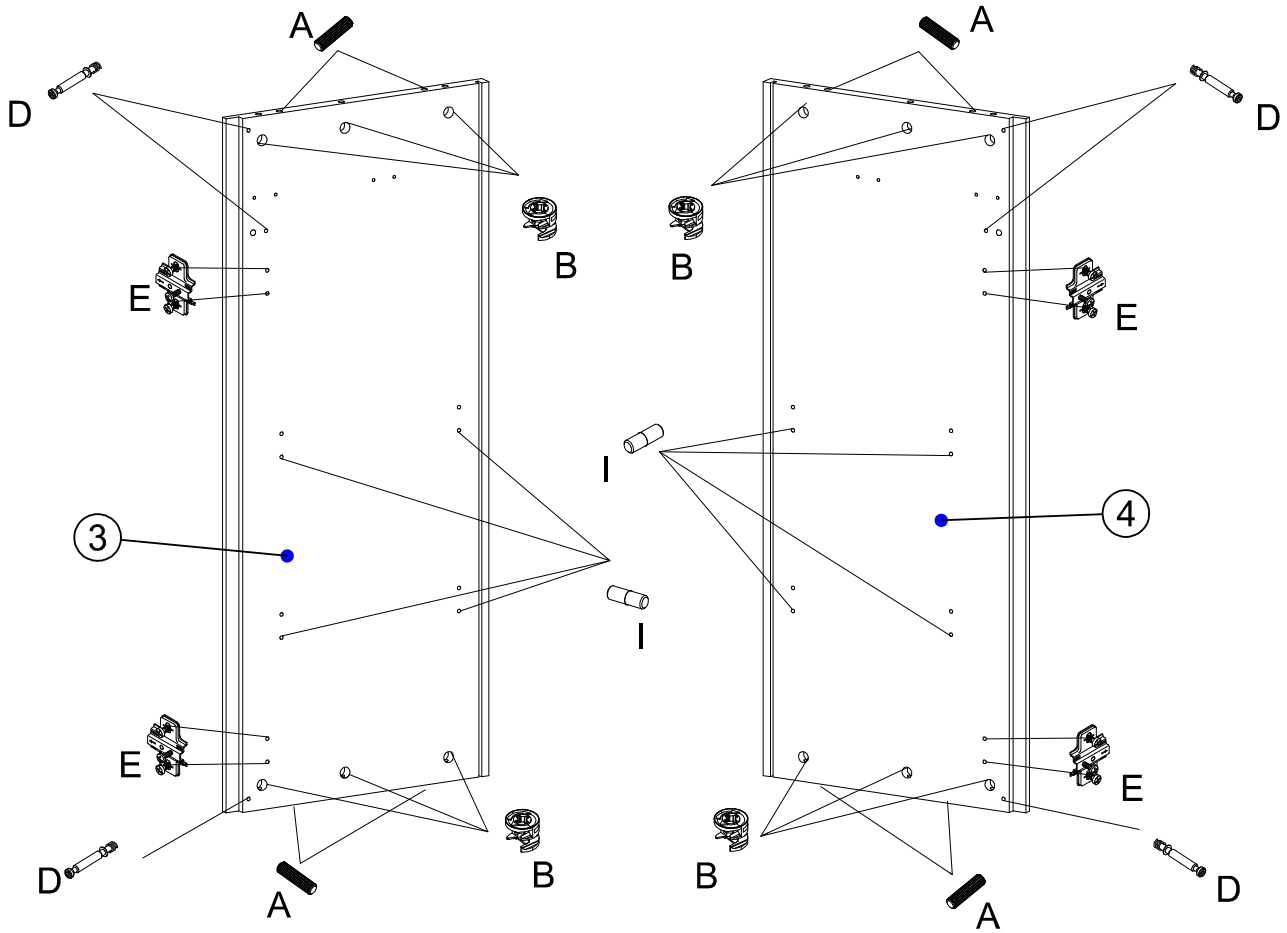
versionsnummer:

11.2023



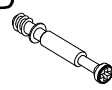
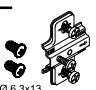

Naturholz kann sich werkstoffbedingt verziehen. Durch das Montieren ziehen sich Teile wieder plan.

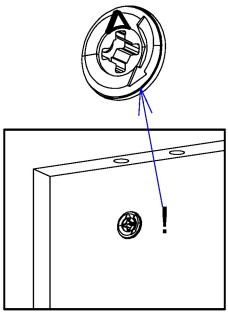


| | | | | | | | | |
|-----------------------|------------------------|-------------|------------------|------------------------|------------|----------------------|-----------------------|------------|
| A Ø 8x30 14 | B 26 | D 24 | D2 2 | E Ø 6,3x13 4 | F 4 | G Ø 4x30 8 | H Ø 3x16 11 | I 8 |
| J Ø 5x13 16 | L Ø 6,4x50 4 | | O OL1/OR1 | T Ø 3x16 2 | V 4 | P 5 | N 14 | U 1 |



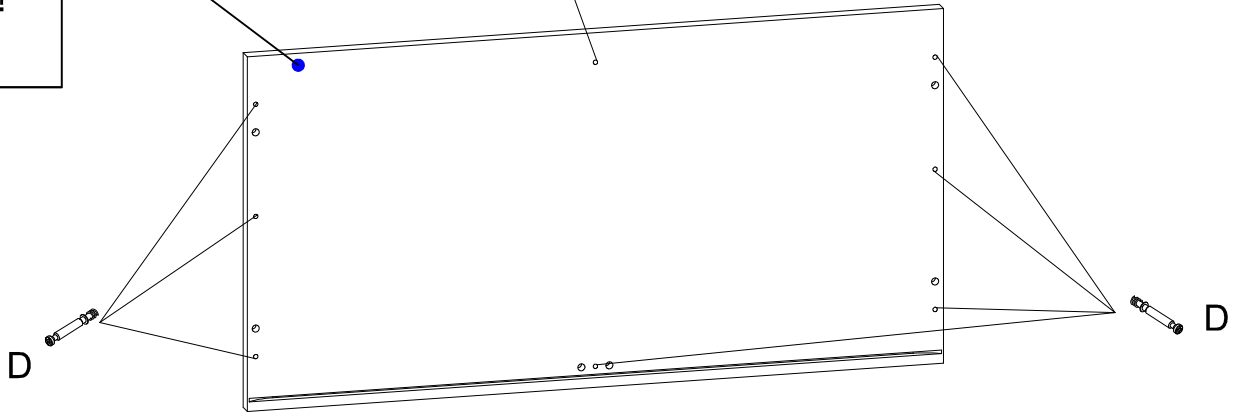
I

| | | | | |
|-------------------------------------------------------------------------------------------------------------------|---------------------------------------------------------------------------------------------------------|---------------------------------------------------------------------------------------------------------|----------------------------------------------------------------------------------------------------------------------|---------------------------------------------------------------------------------------------------------|
| <p>A</p>  <p>Ø 8x30 14</p> | <p>B</p>  <p>22</p> | <p>D</p>  <p>6</p> | <p>E</p>  <p>Ø 6.3x13 4</p> | <p>I</p>  <p>8</p> |
|-------------------------------------------------------------------------------------------------------------------|---------------------------------------------------------------------------------------------------------|---------------------------------------------------------------------------------------------------------|----------------------------------------------------------------------------------------------------------------------|---------------------------------------------------------------------------------------------------------|

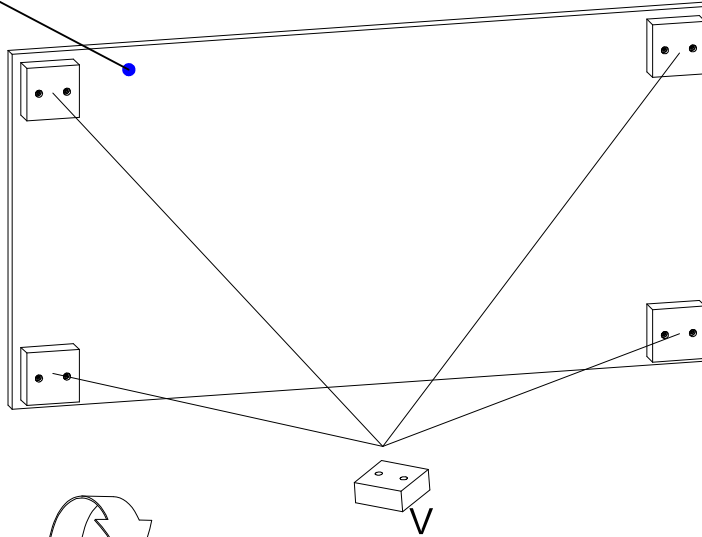
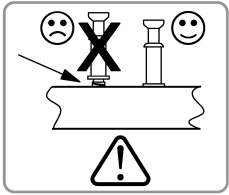


1

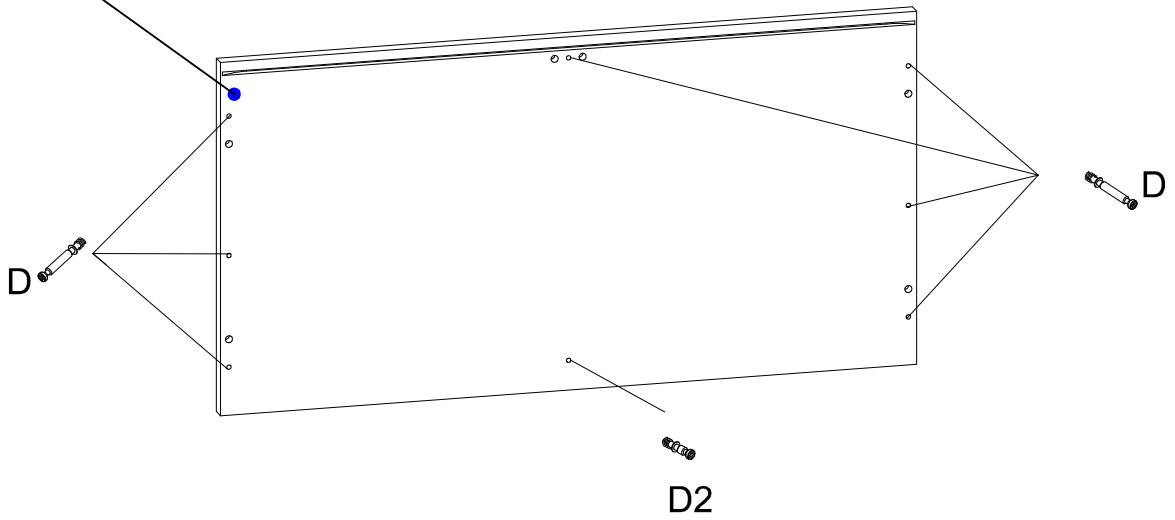
D2



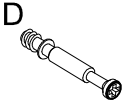


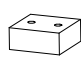
2



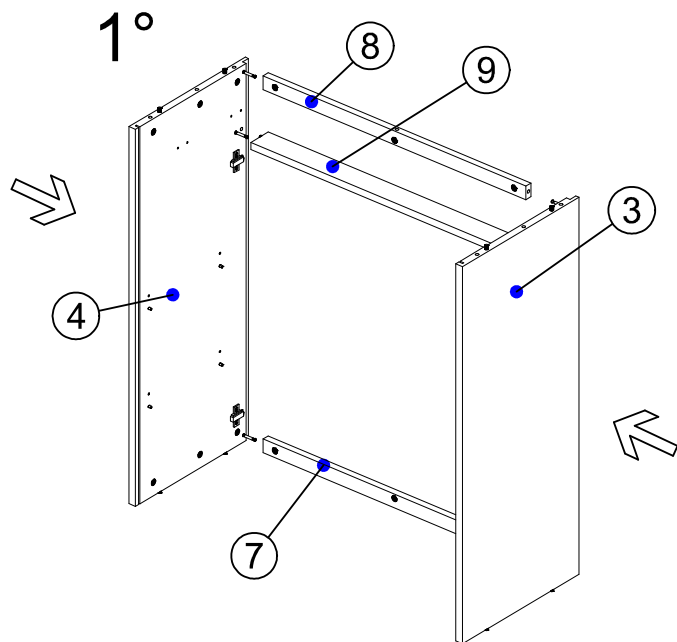
2



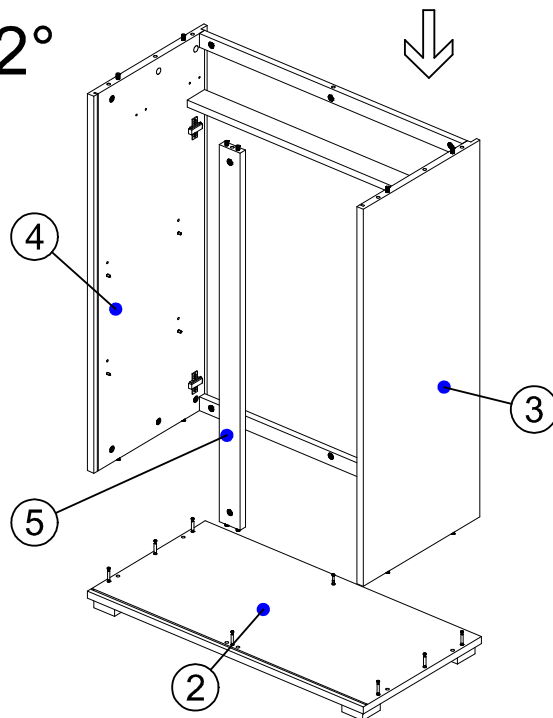
III

| | | | |
|--------------------------------------------------------------------------------------------------------|---------------------------------------------------------------------------------------------------------|------------------------------------------------------------------------------------------------------------------------------|--------------------------------------------------------------------------------------------------------|
|  D 14 |  D2 2 |  G \varnothing 8x30 8 |  V 4 |
|--------------------------------------------------------------------------------------------------------|---------------------------------------------------------------------------------------------------------|------------------------------------------------------------------------------------------------------------------------------|--------------------------------------------------------------------------------------------------------|

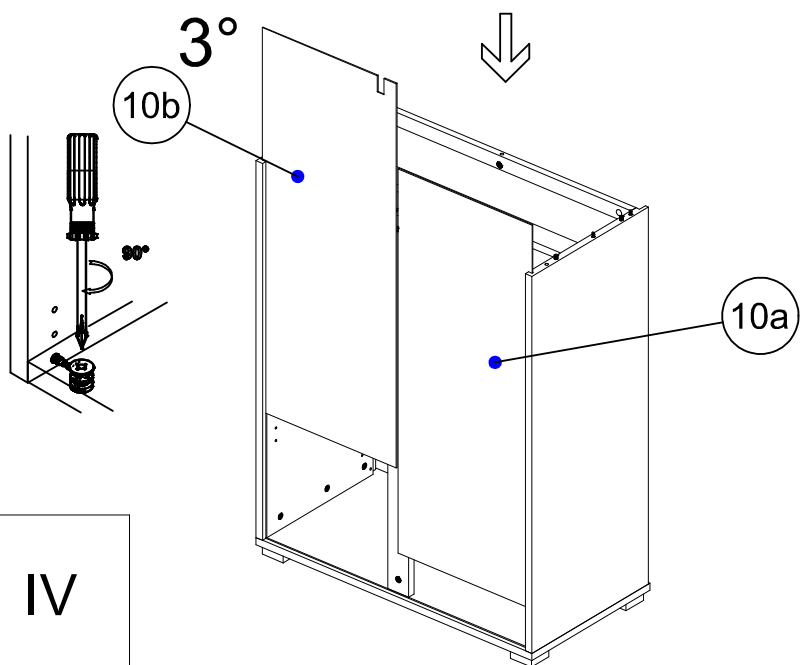
1°



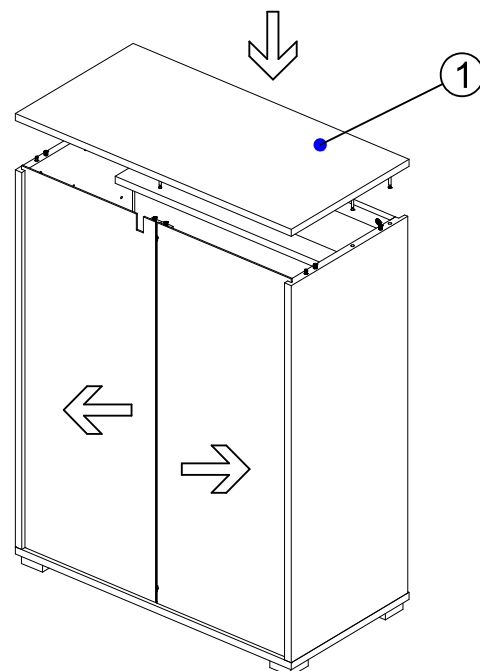
2°



3°

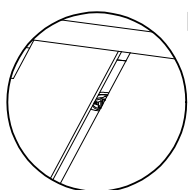


4°

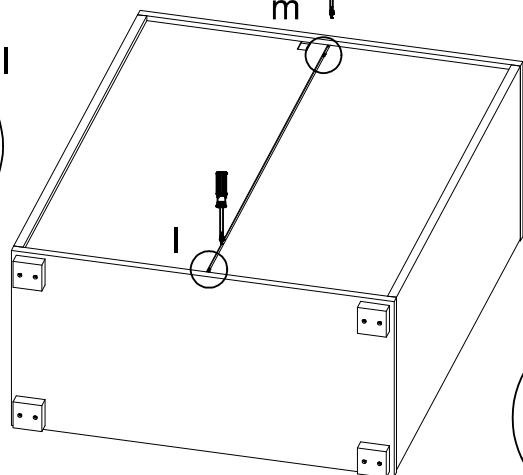


IV

m

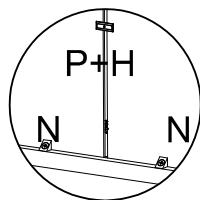


m

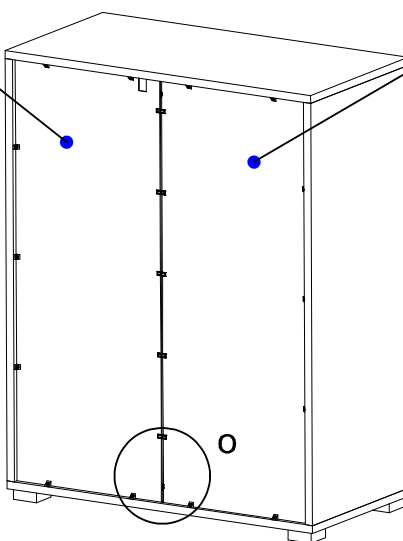


l

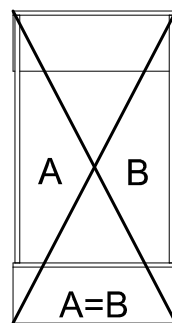
o



10b



10a



V

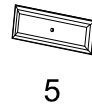
H

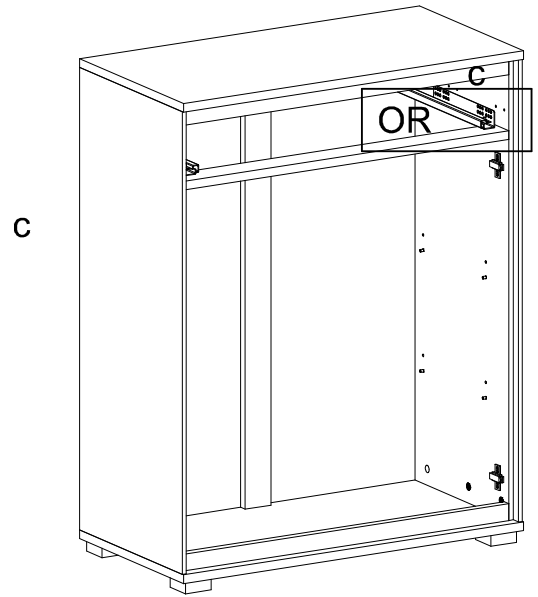
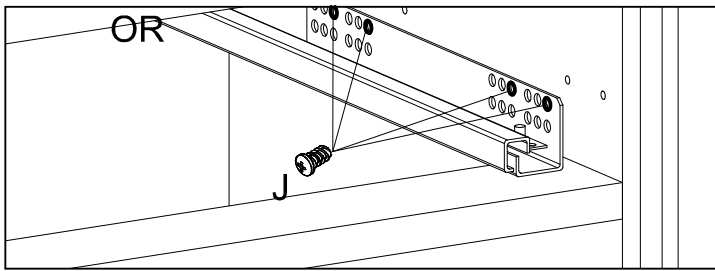
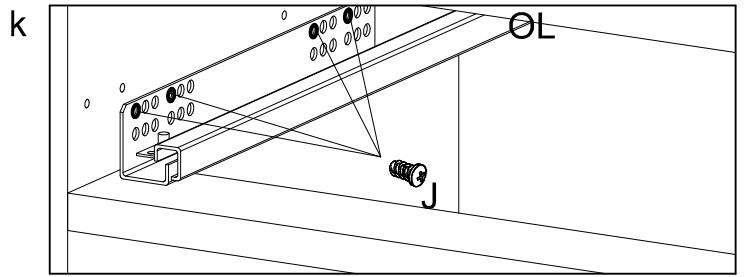
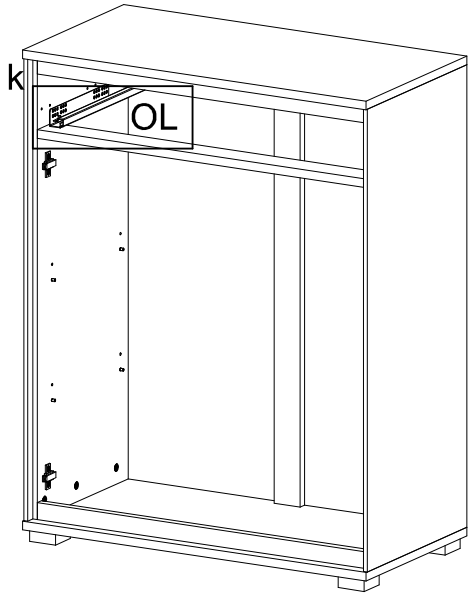


N

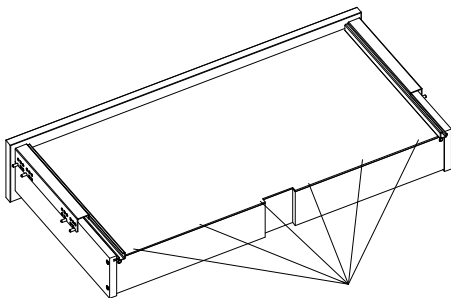
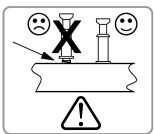
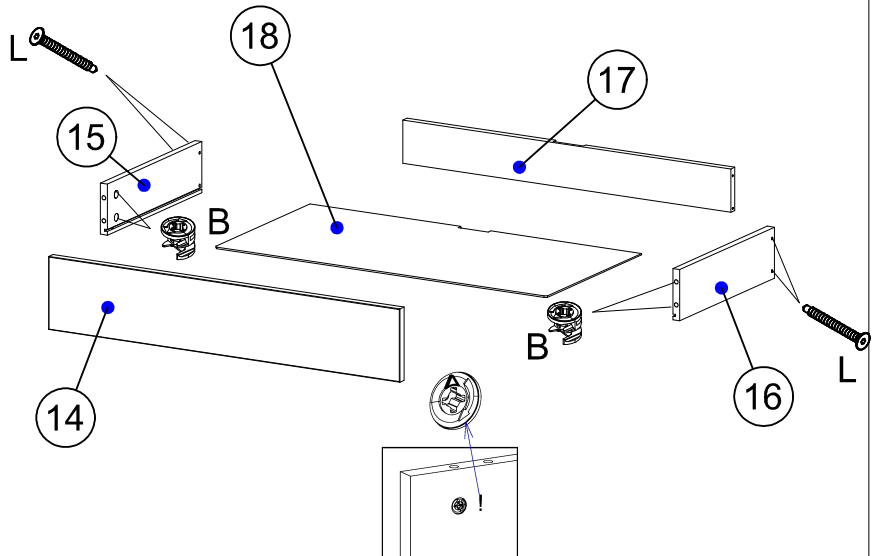
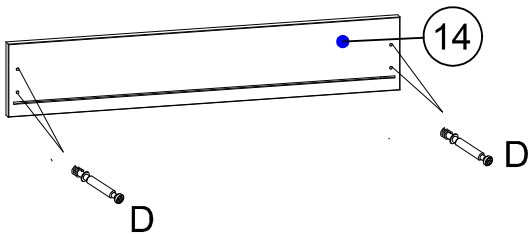
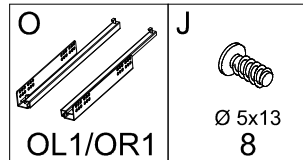


P

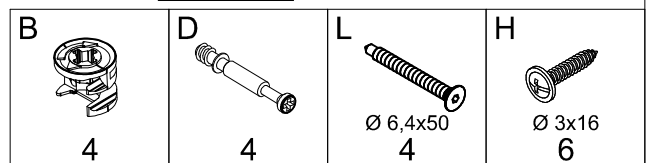


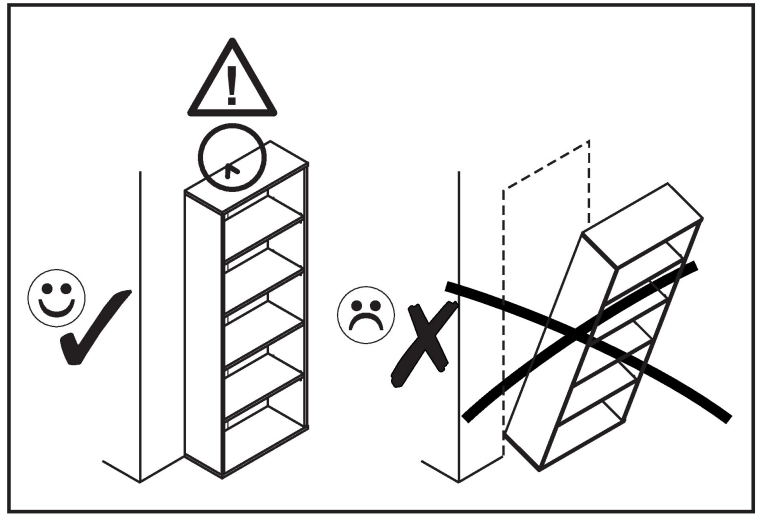


VI

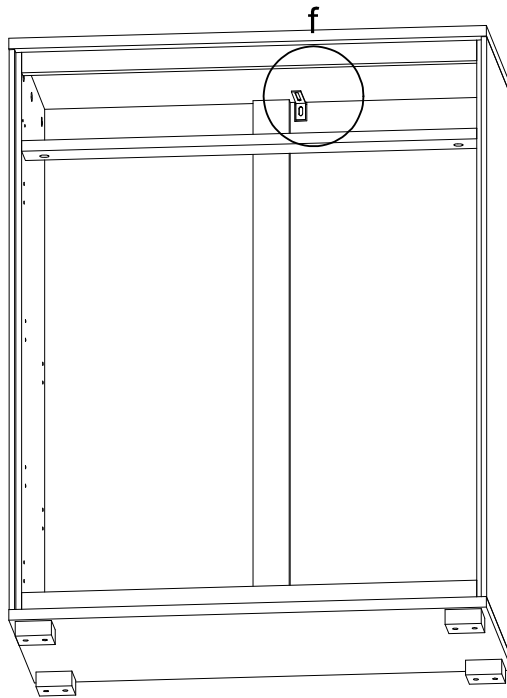
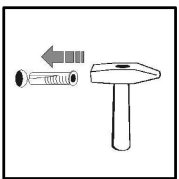
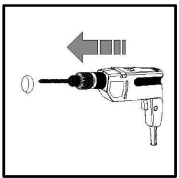
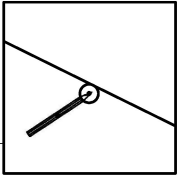
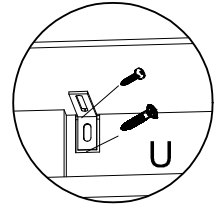


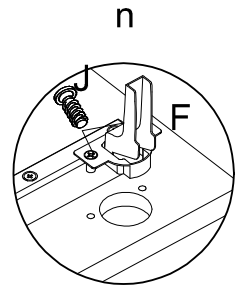
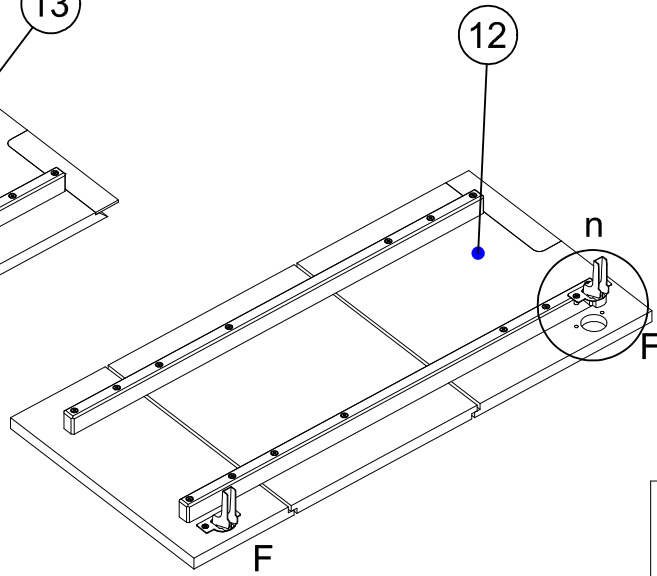
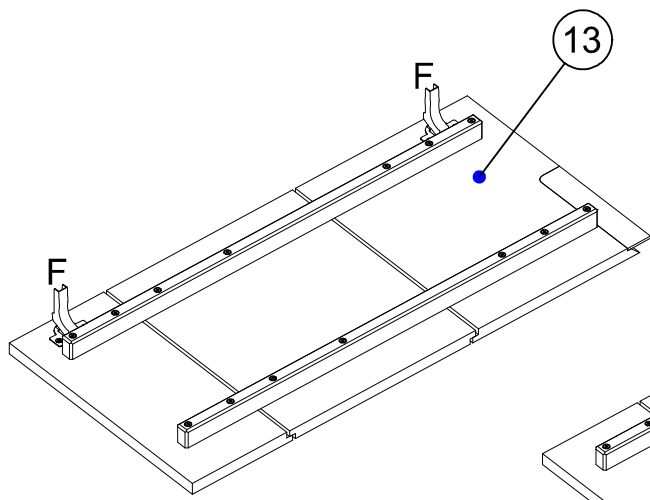
VII



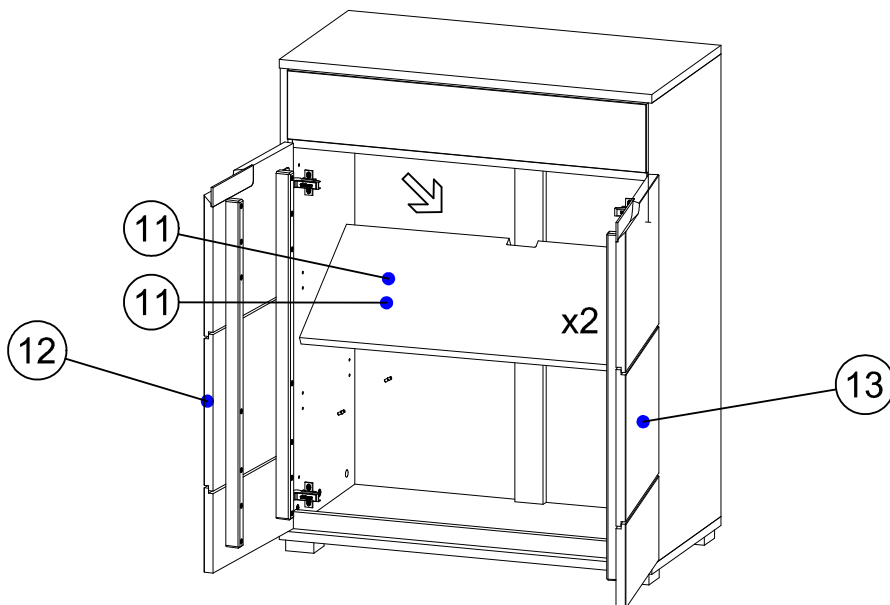
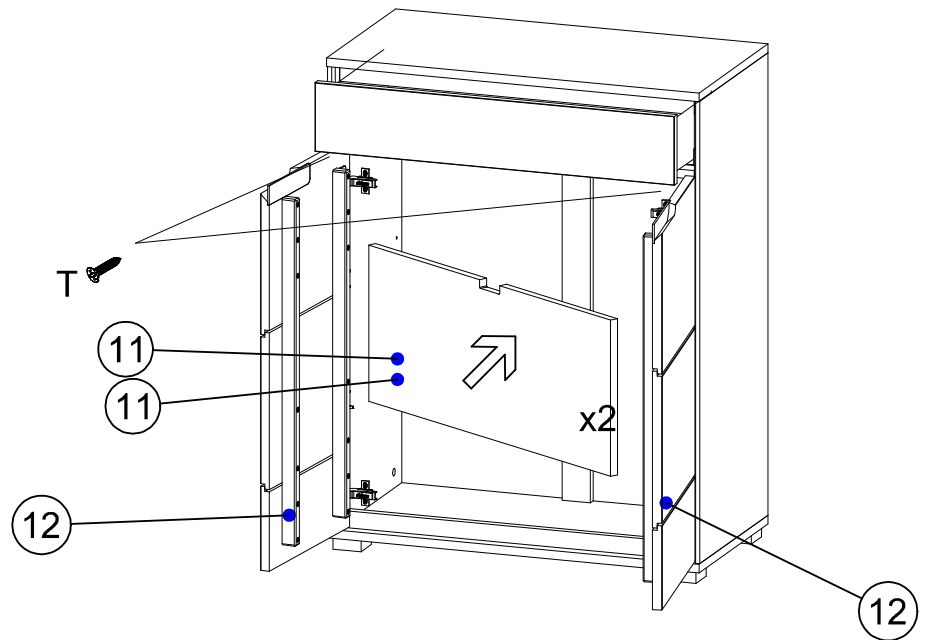
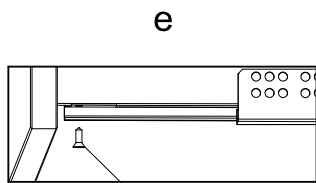
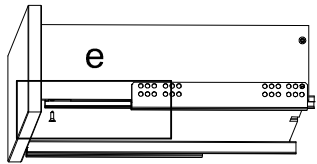
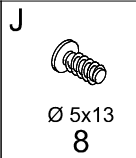
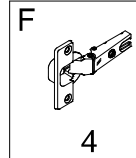


f





IX



X

