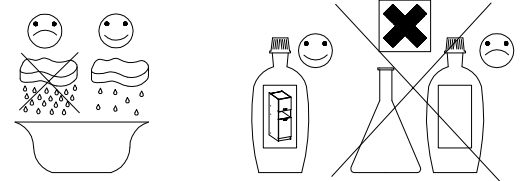
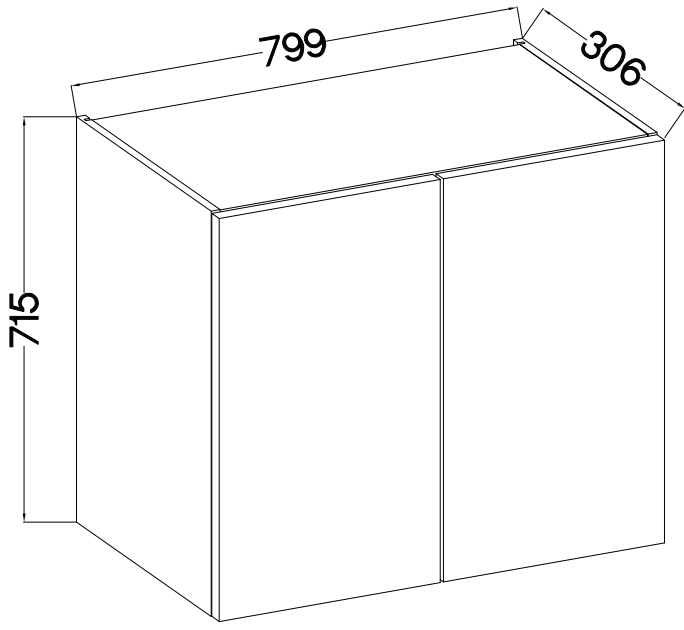
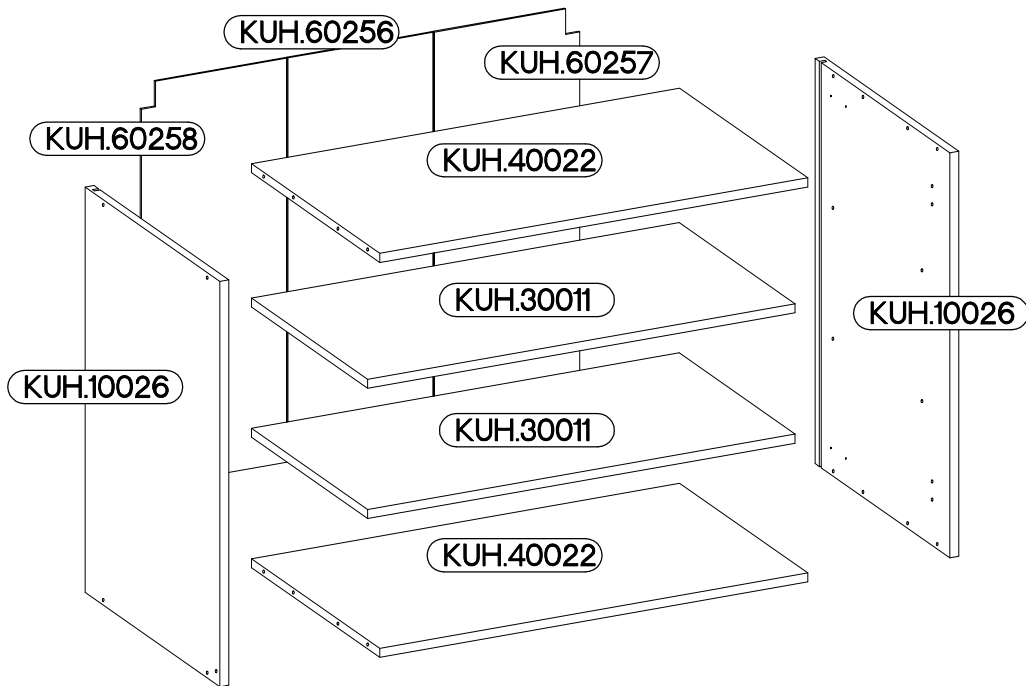
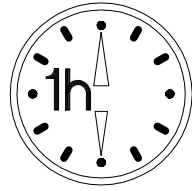


80 G-72 2F

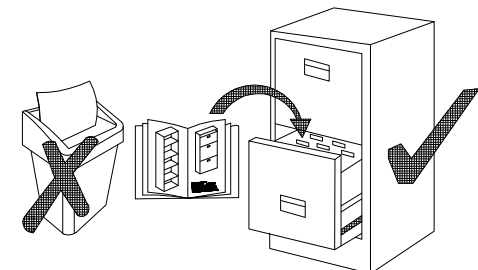


KUH.30011  
KUH.40022

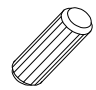

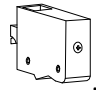


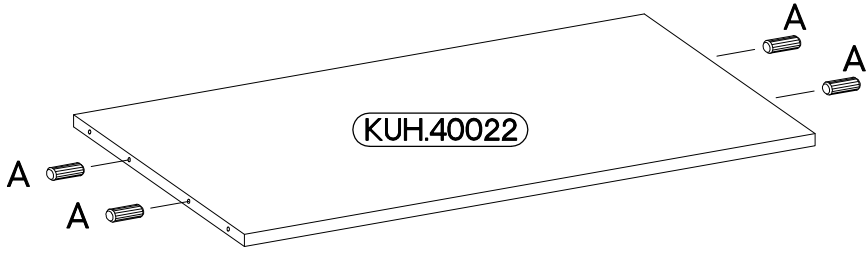
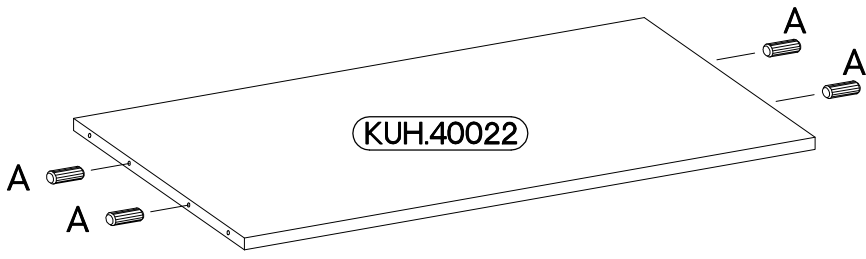
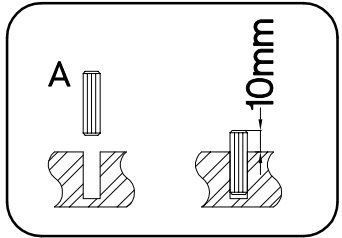
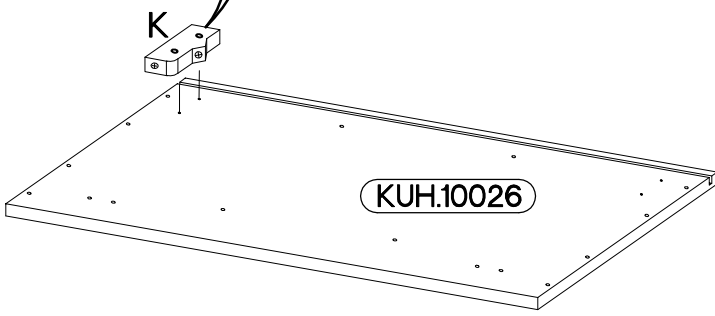
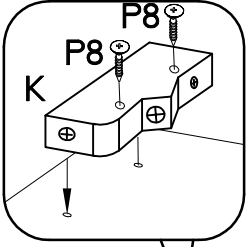
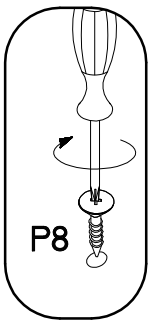
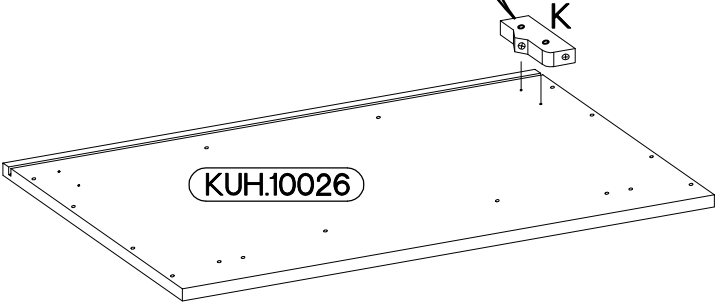
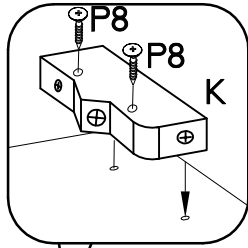
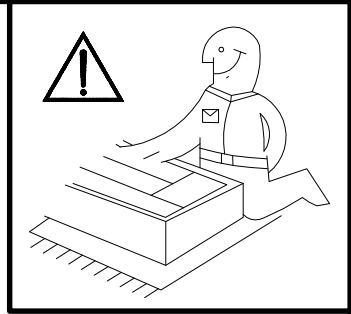
Ersatzteil Nummer	Dimension
KUH.10026 x2	715x290x16
KUH.30011 x2	766x250x16
KUH.40022 x2	767x276x16
KUH.60256	713x260x2,5
KUH.60257	713x260x2,5
KUH.60258	713x260x2,5

+8x30mm A	6,4 x 50mm B	E1	+35/0mm HG			
8	8	8	4			
+5/19mm J	K	L1=680mm L1	O	+3.5x13mm P5	+3.0x20mm P7	+4.0x30mm P8
8	2	2	1	8	15-20	4

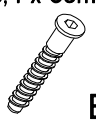




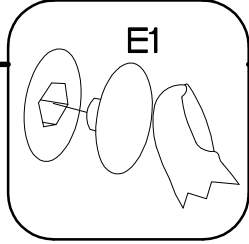
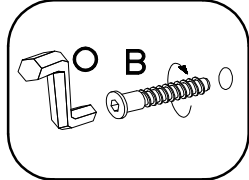
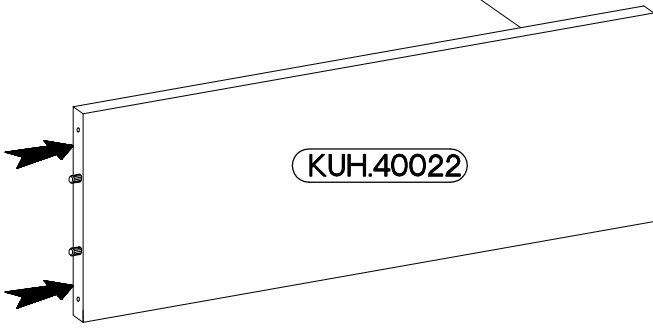
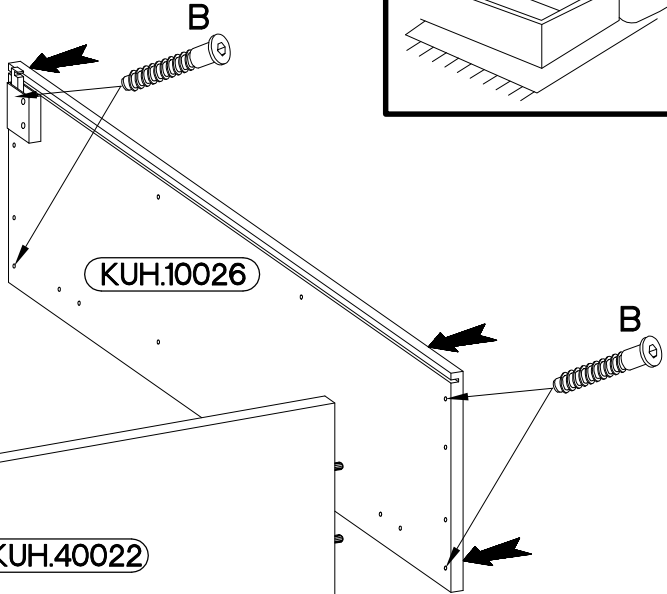
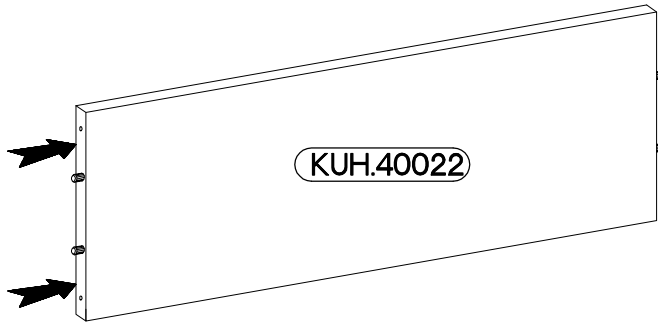
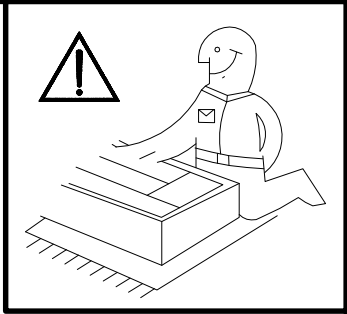
ISM-KUH-01145

 ‡8x30mm A	 ‡4.0x30mm P8	 K
8	4	2

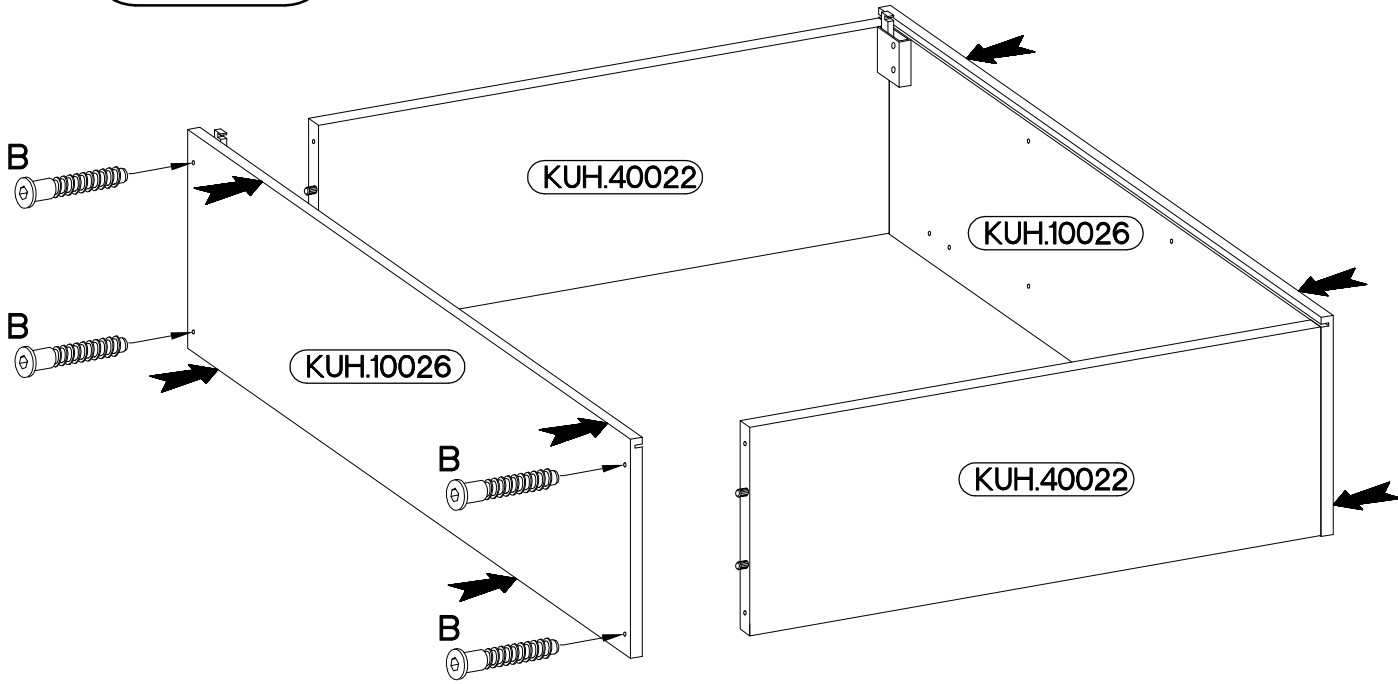



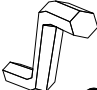

2

6,4 x 50mm		
		
<b>B</b>	<b>O</b>	<b>E1</b>
4	1	4

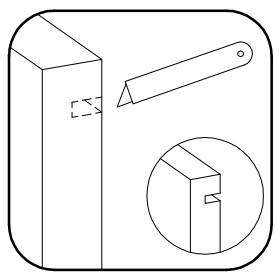
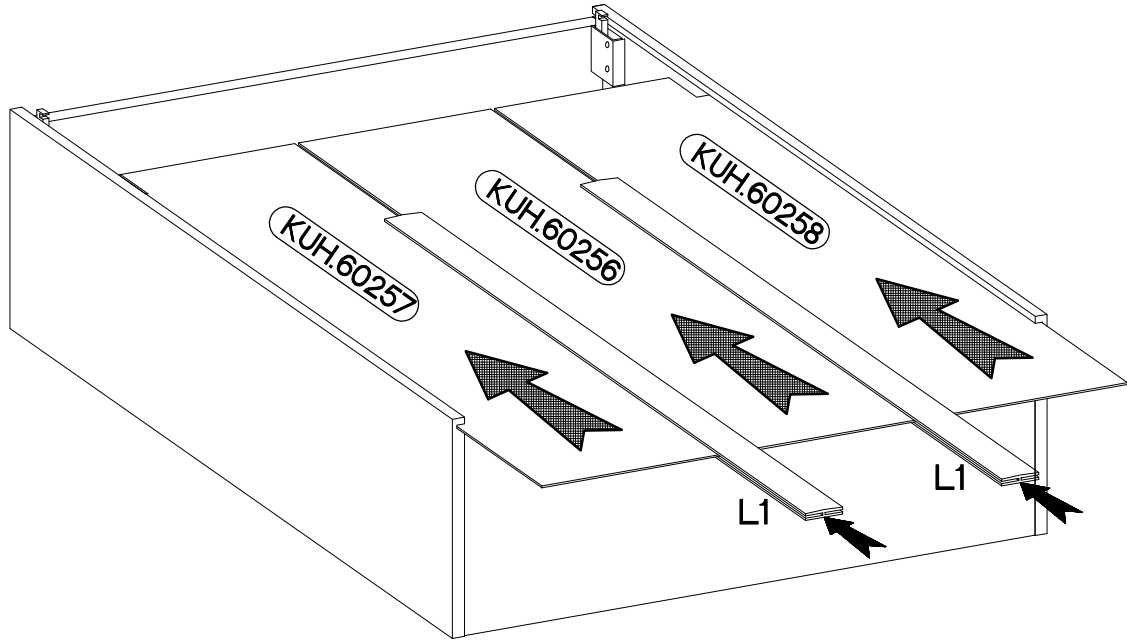
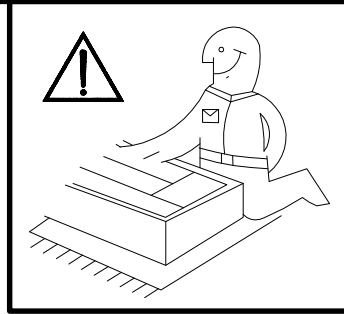
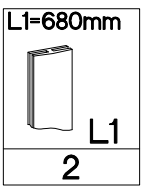


3

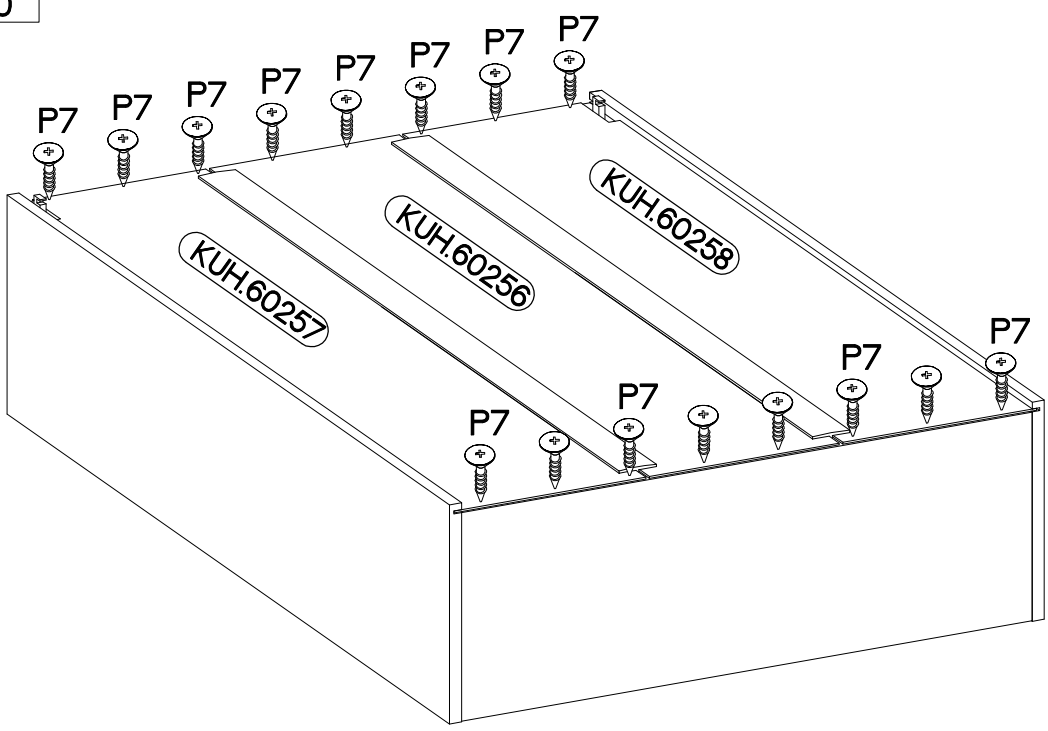
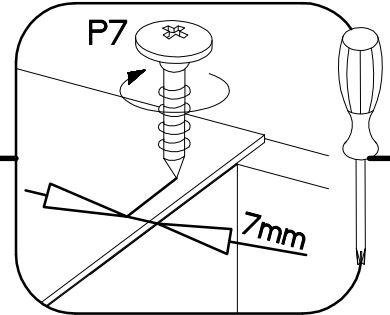
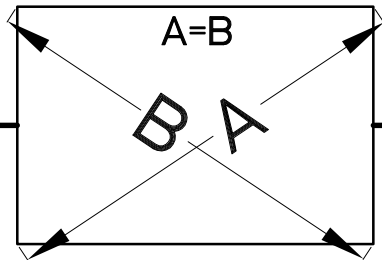
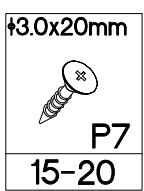


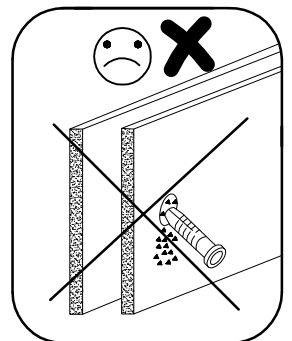
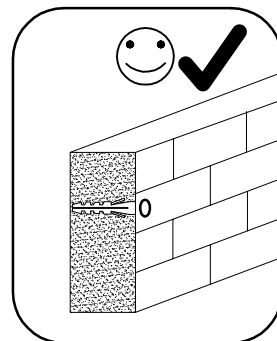
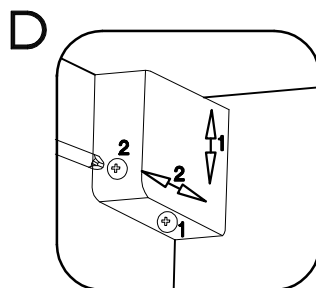
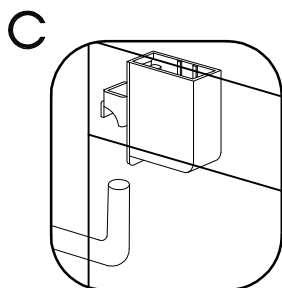
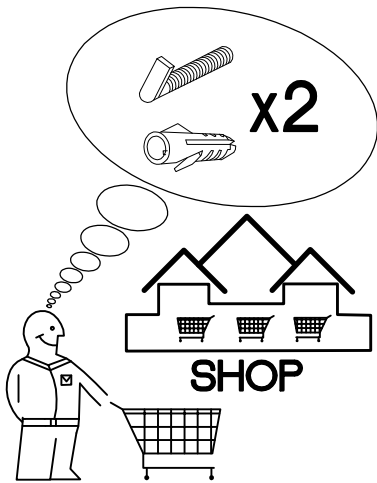
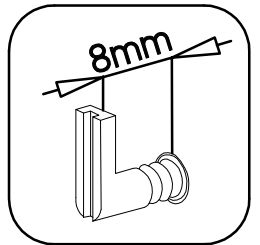
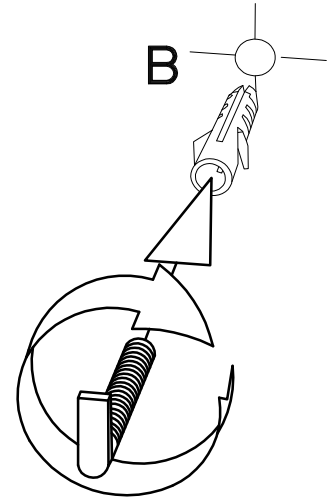
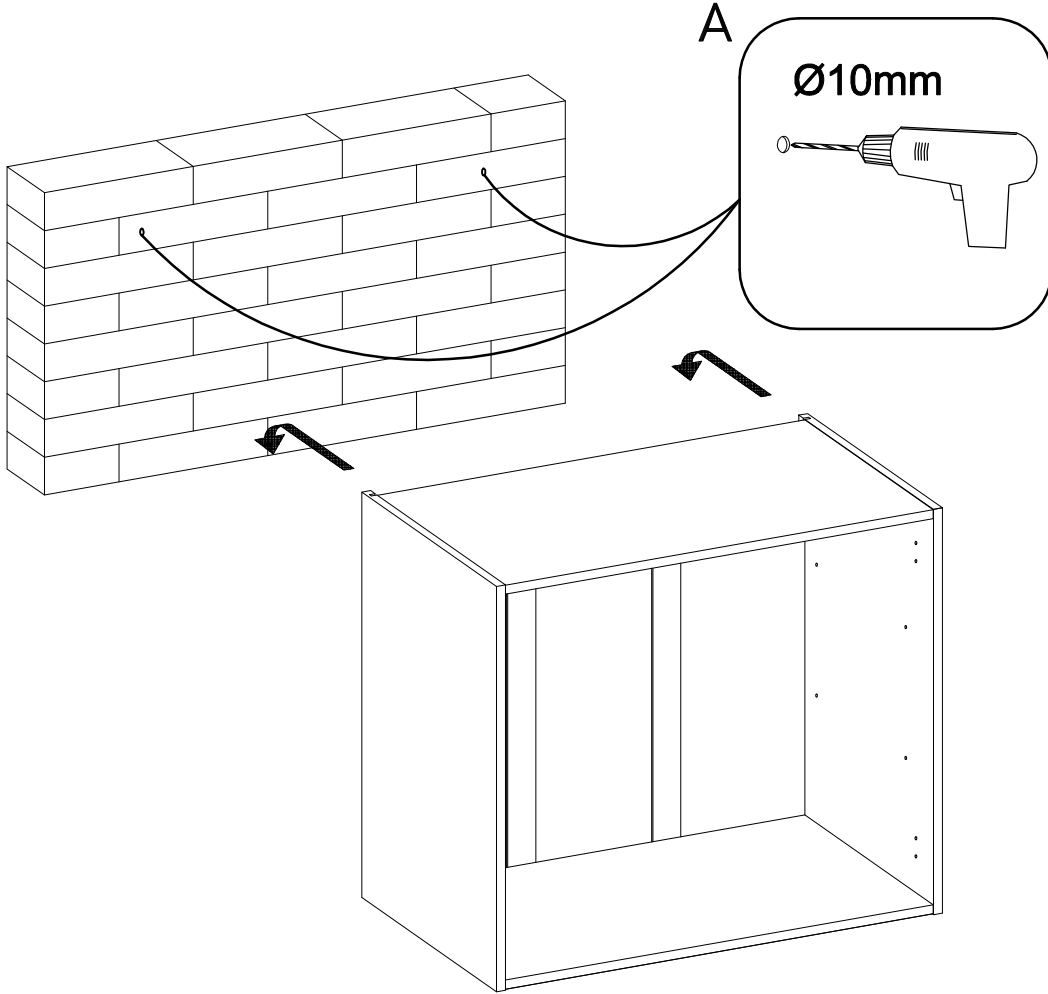
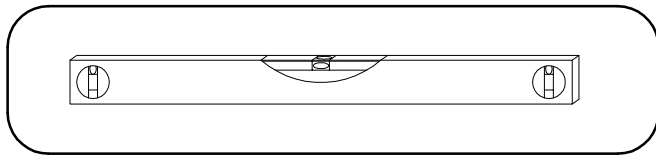
6,4 x 50mm		
		
<b>B</b>	<b>O</b>	<b>E1</b>
4	1	4

4

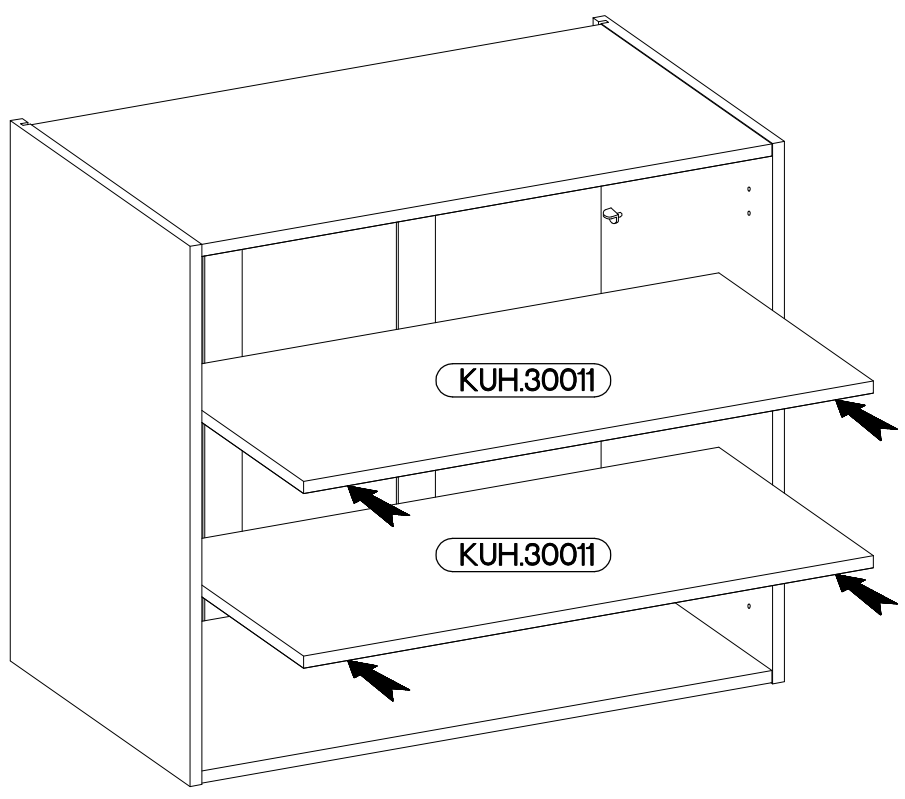
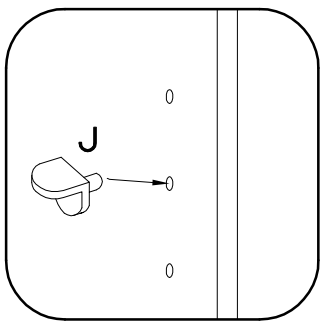
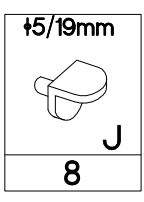


5



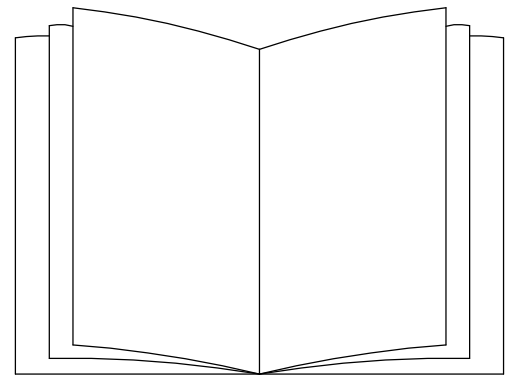
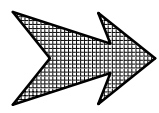
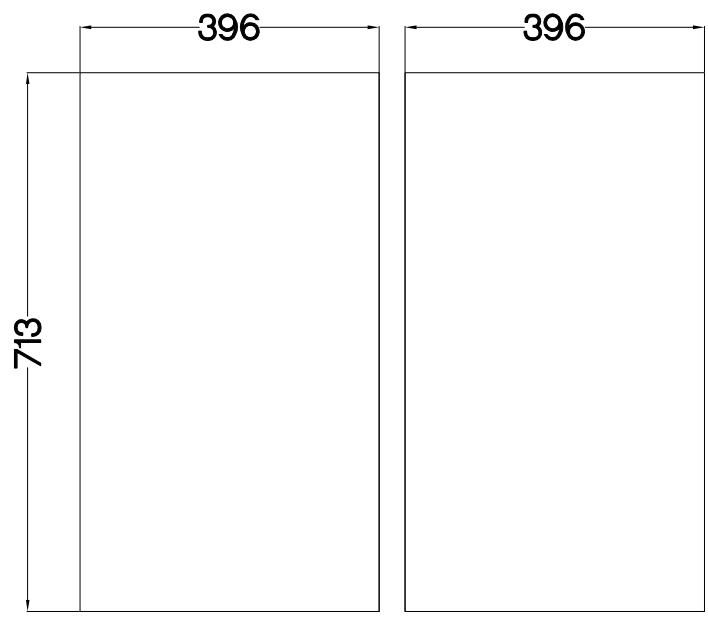


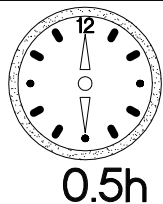
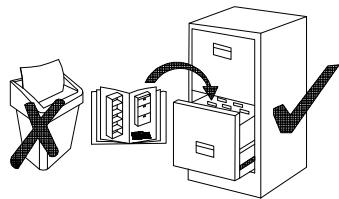
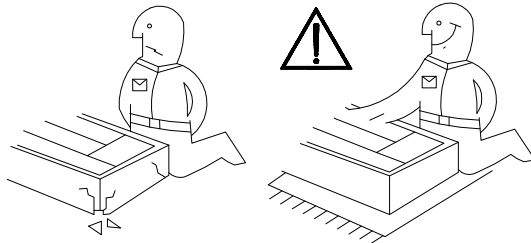
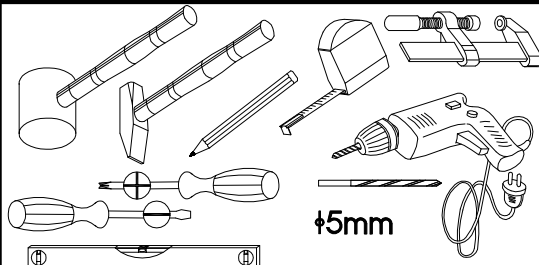
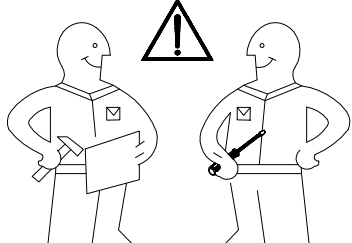
7



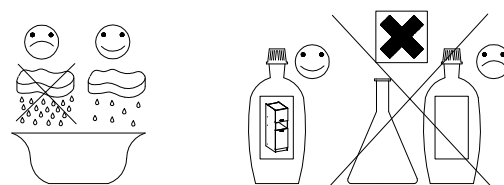
8

FRONT

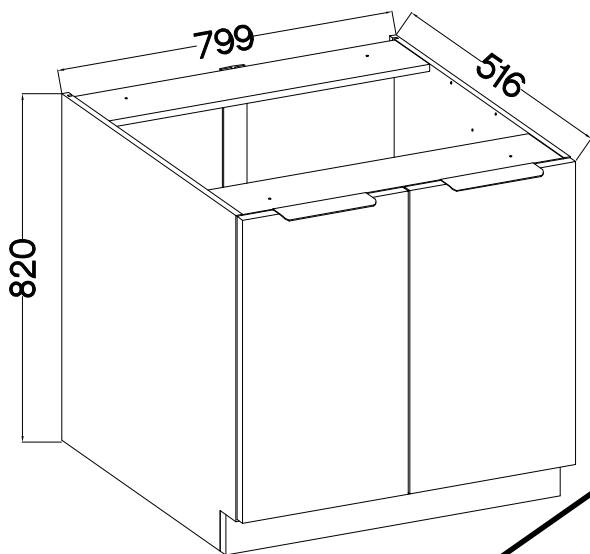




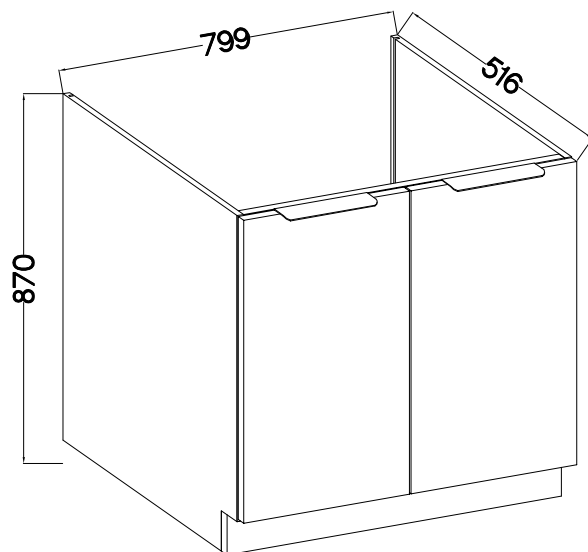
713x396 - 2szt.  
FRONT



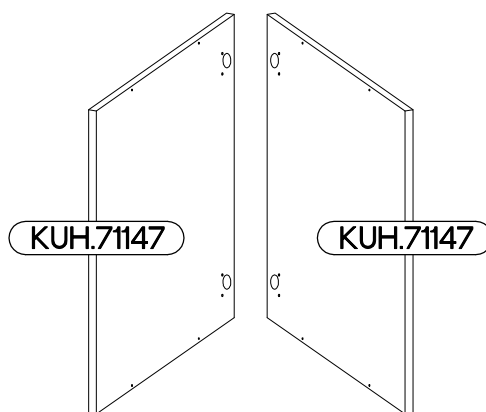
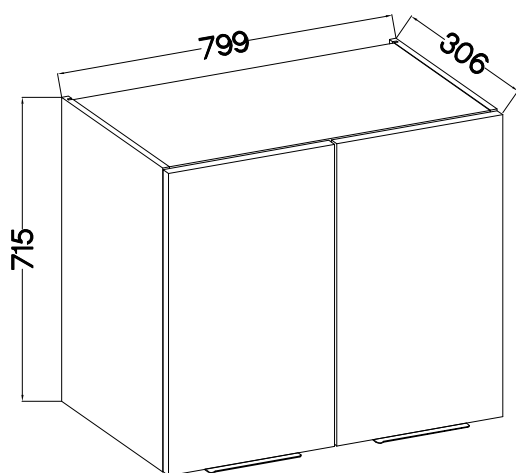
80 D 2F BB





80 ZL 2F BB



80 G-72 2F



L=192mm	±7/2mm
	
S	J5
2	4

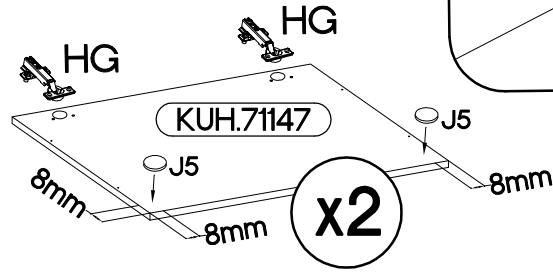
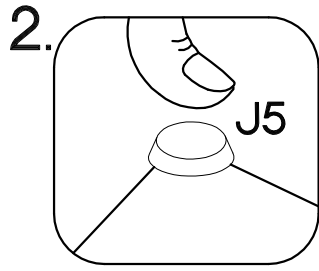
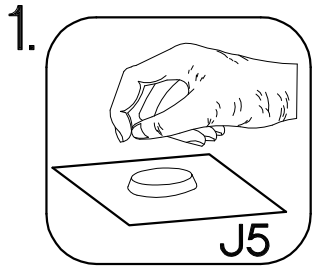
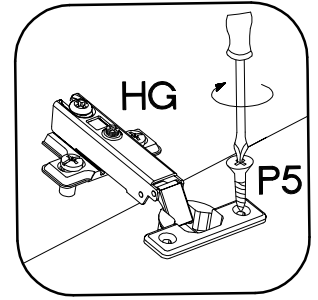
Ersatzteil Nummer	Dimension
KUH.71147 x2	713x396x16

ISM-KUH-02012

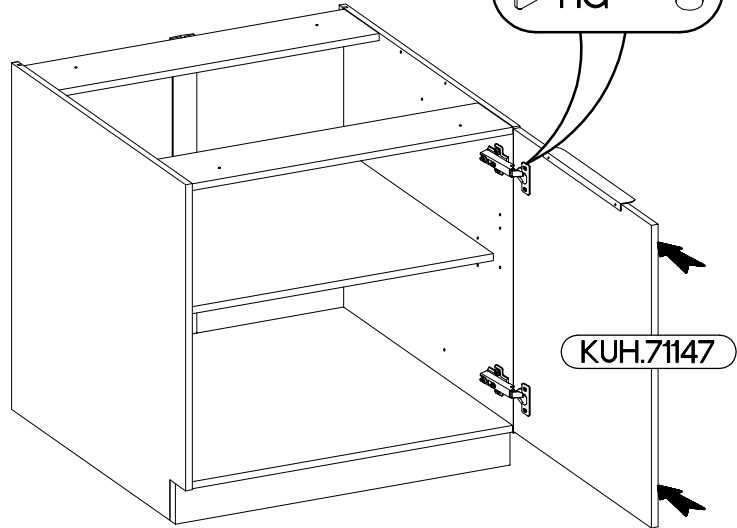
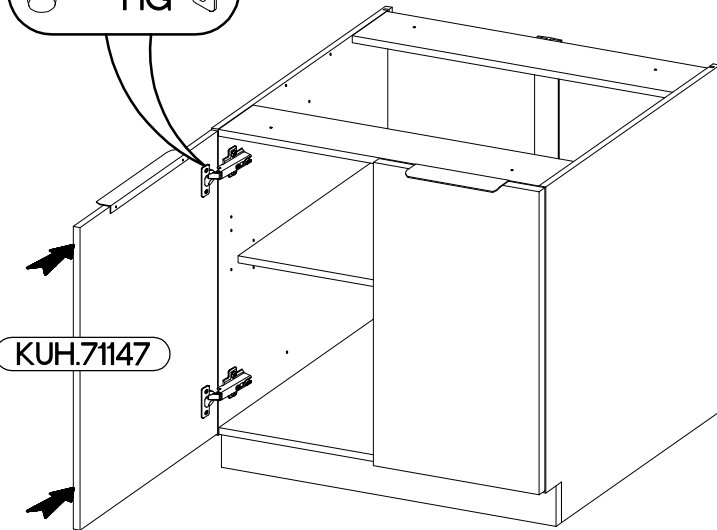
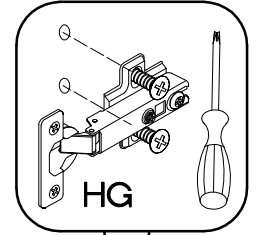
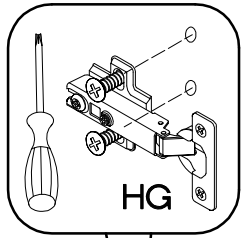
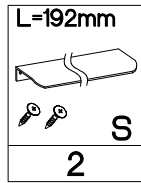
# 1

# 80 D 2F BB

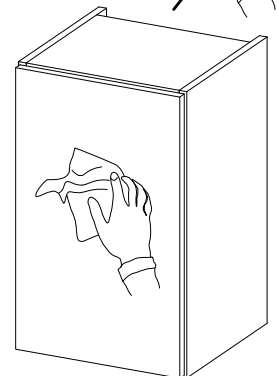
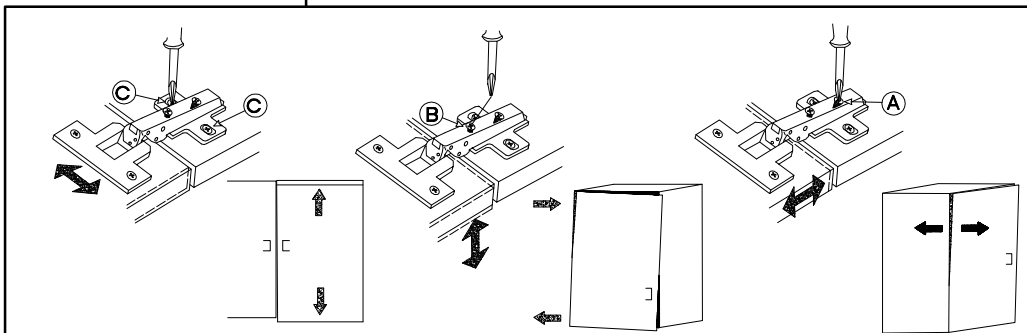
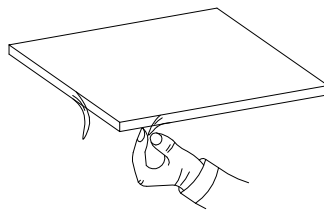
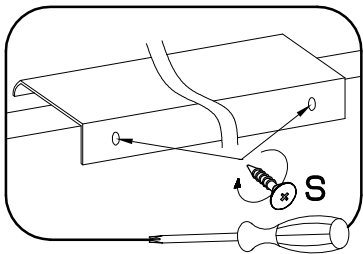
$\pm 35/0\text{mm}$ [CD] HG 4	$\pm 3.5 \times 13\text{mm}$ P5 8	$\pm 7/2\text{mm}$ J5 4
-------------------------------------	---	-------------------------------



# 2



## VARIANT HIGH GLOSS



# 3

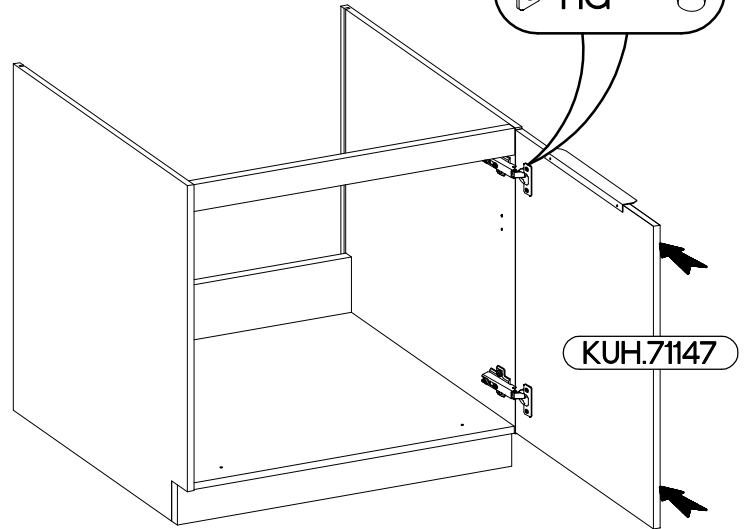
# 80 ZL 2F BB

L=192mm

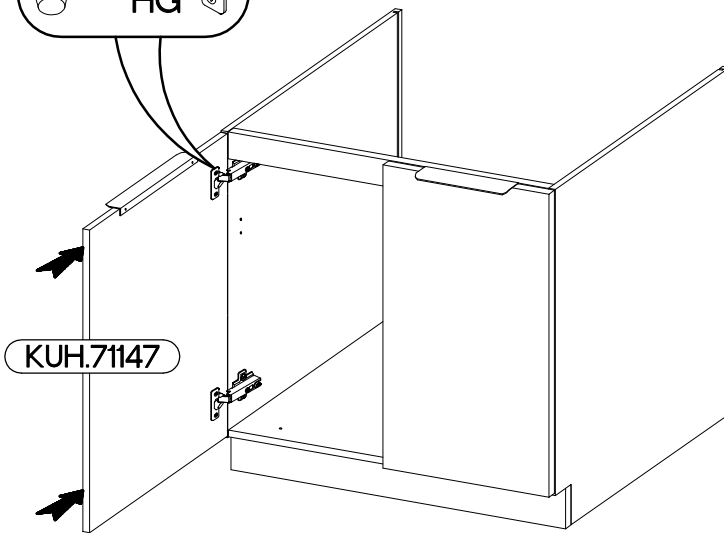
S

2

HG

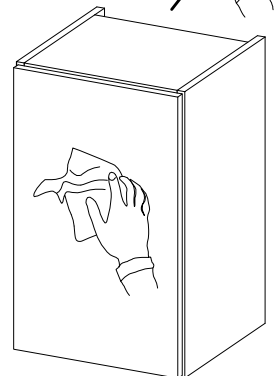
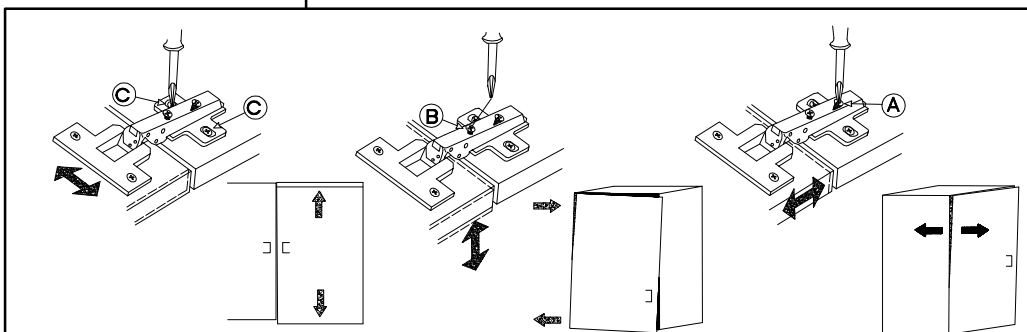
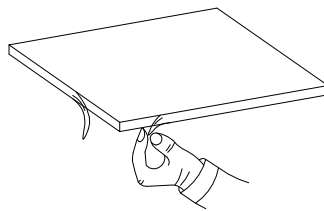


HG



S

## VARIANT HIGH GLOSS



4

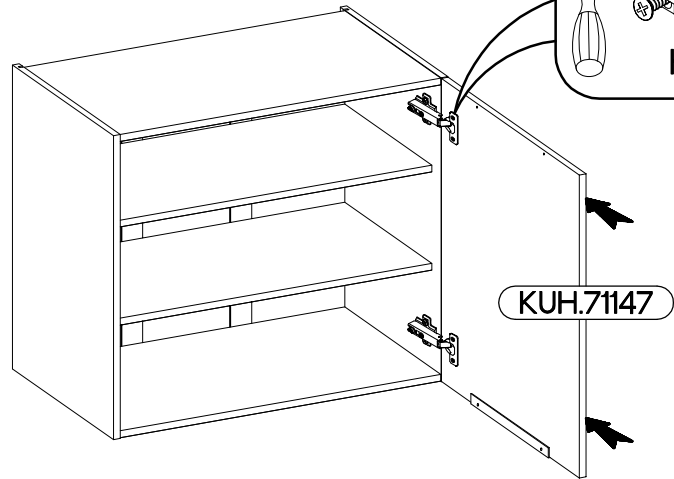
80 G-72 2F

L=192mm

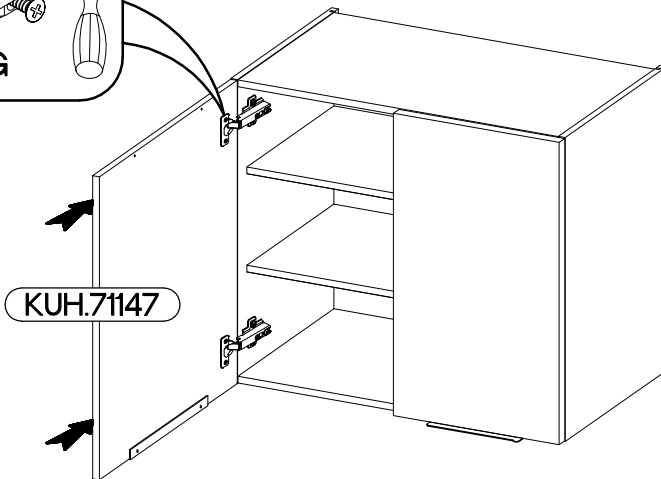
S

2

HG



HG



S

### VARIANT HIGH GLOSS

