

M2904_01 **rauch**

Ø5mm

3-4h

SK030
SK020
SK010

M2904

201
4x15

68
77x15x22

?

ØXmm

M2904

SE010
BO020
SE020
KO010
RW010
MS010
BO010
SO010
SO020

M2904

TU020
TU030
GR010
TU010
SK020
2245
2068
2284
2051
SK010

SK020 = SK030

M2904

2x (259) 342x27x9,5	2x (779) 6,5x12		
4x (251) 328x17x9,5	2x (12) 55x16x6,2		
(11) 8x (233) 6,3x50	(18) 8x (8x30)		
6x (205) 3,5x15	12x (534) 6x8	6x (568) M4x9	4x (249) 5,0x7,0
2x (807)	4x (274)	6x (116)	
2x (1)	17x (208) 3,5x15	1x (RE010)	

M2904

(1) (11)

VIDEO

11

SO010
SO020

SO010
SO020

SO010
SO020

BO010

SO010
SO020

BO010

20 Min

M2904

1x (GR010)	1x (GR008)
3x (GR020)	

M2904

(2) (11)

VIDEO

11

1. 11

2284

2. (2051)

2284

3. 11

SK010

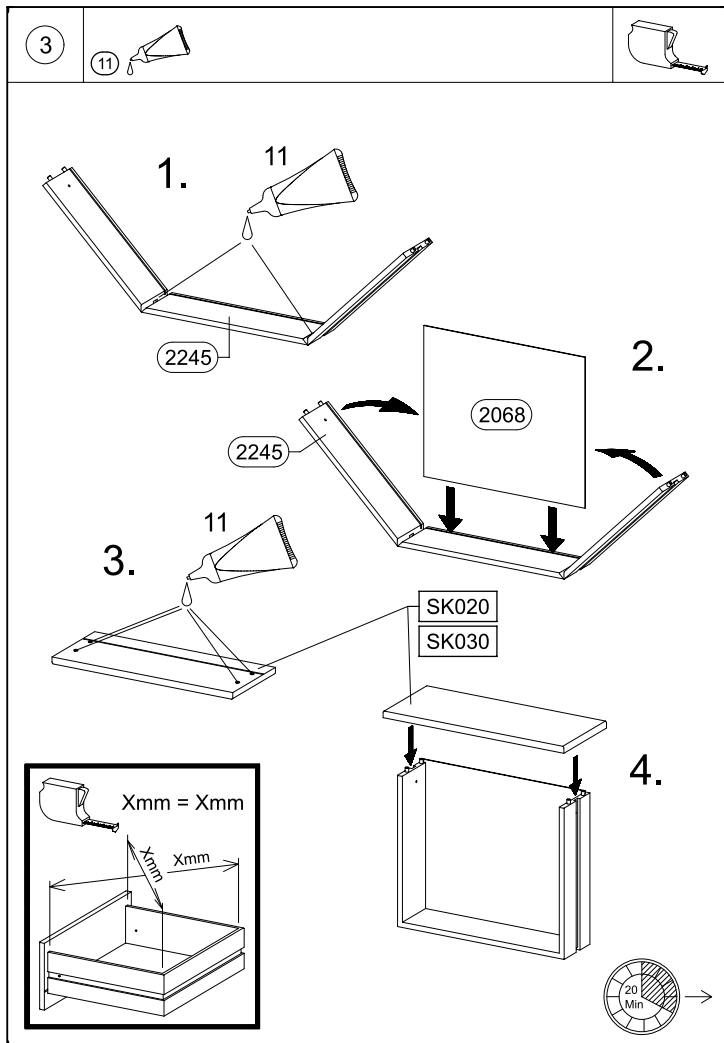
4.

Xmm = Xmm

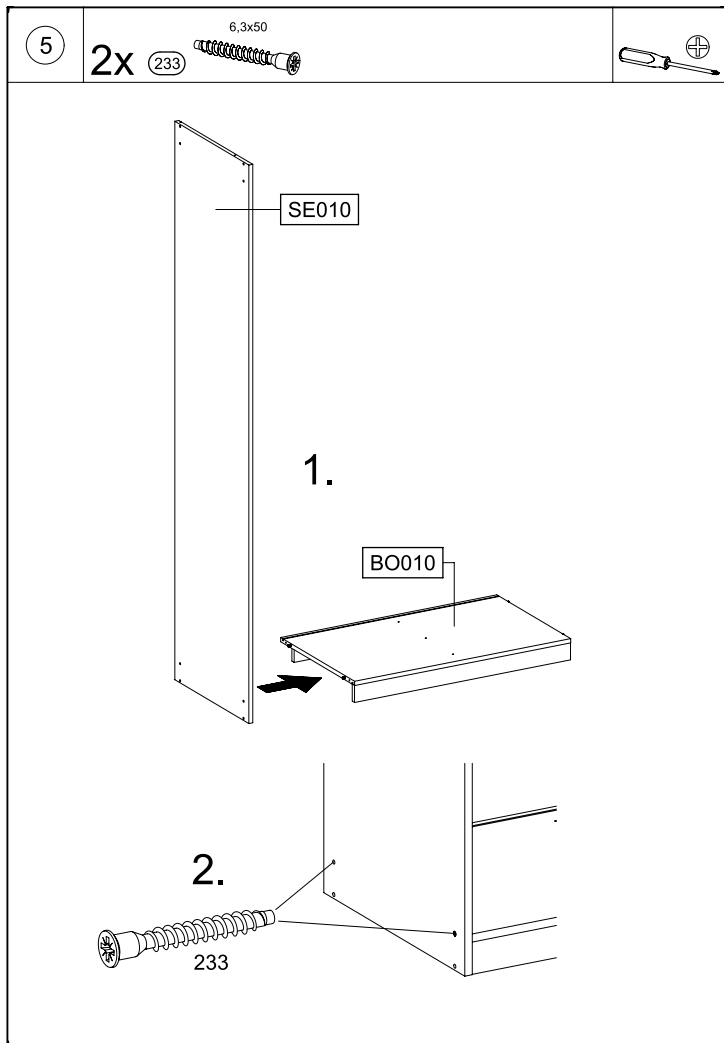
Xmm Xmm

20 Min

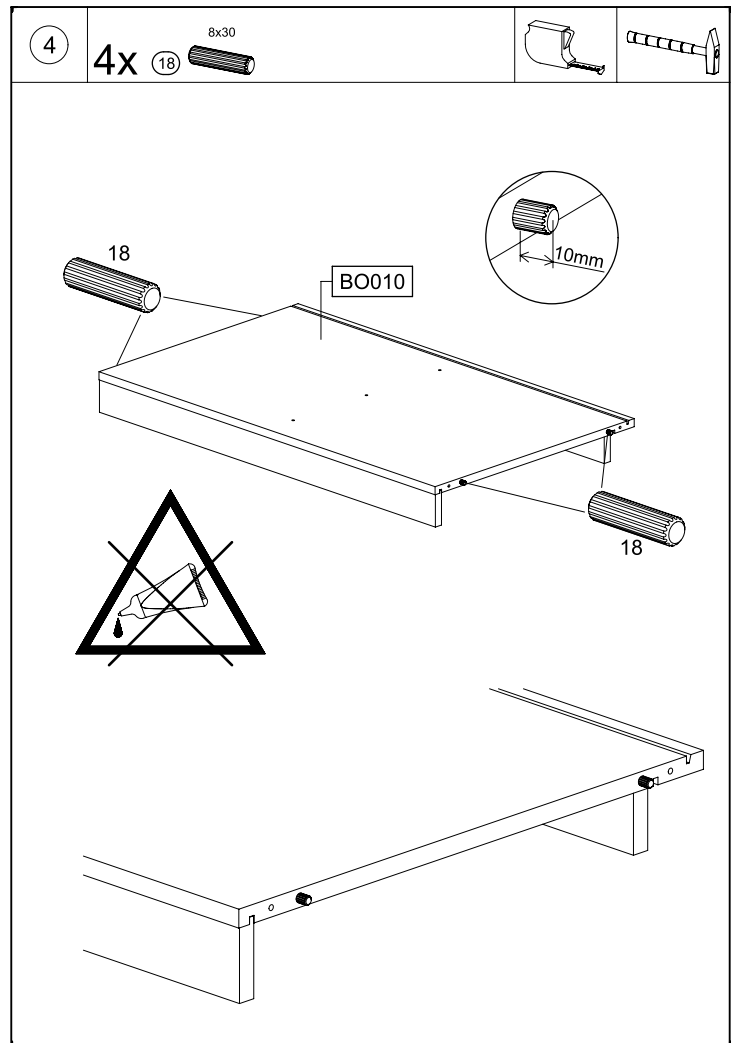
M2904



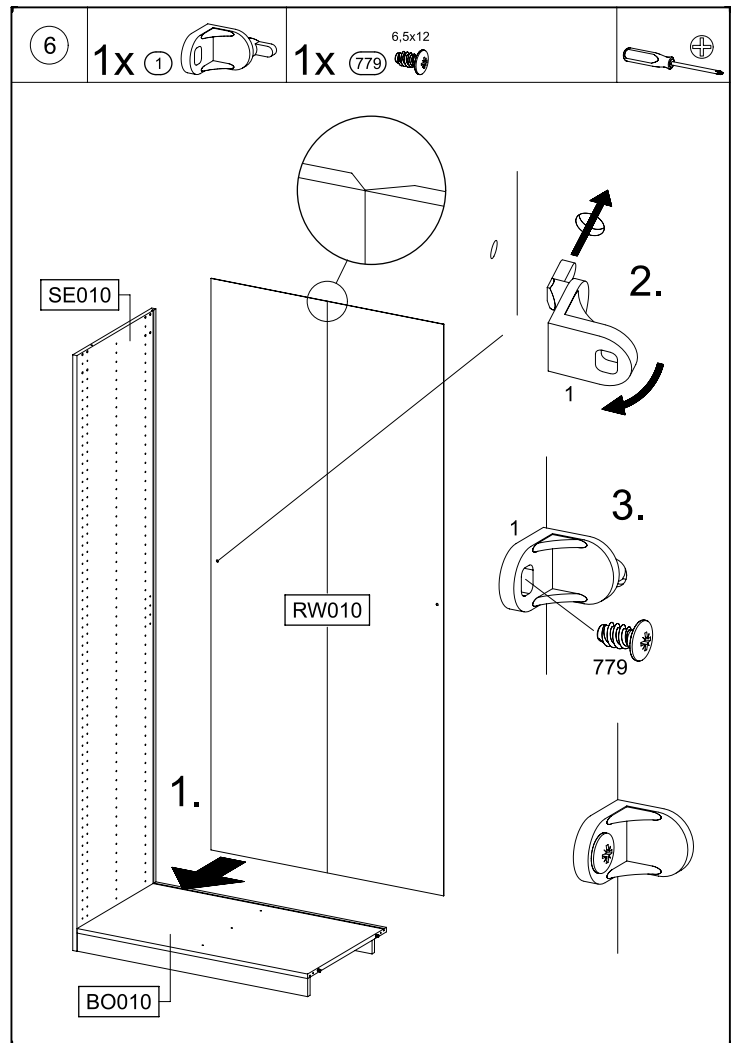
M2904



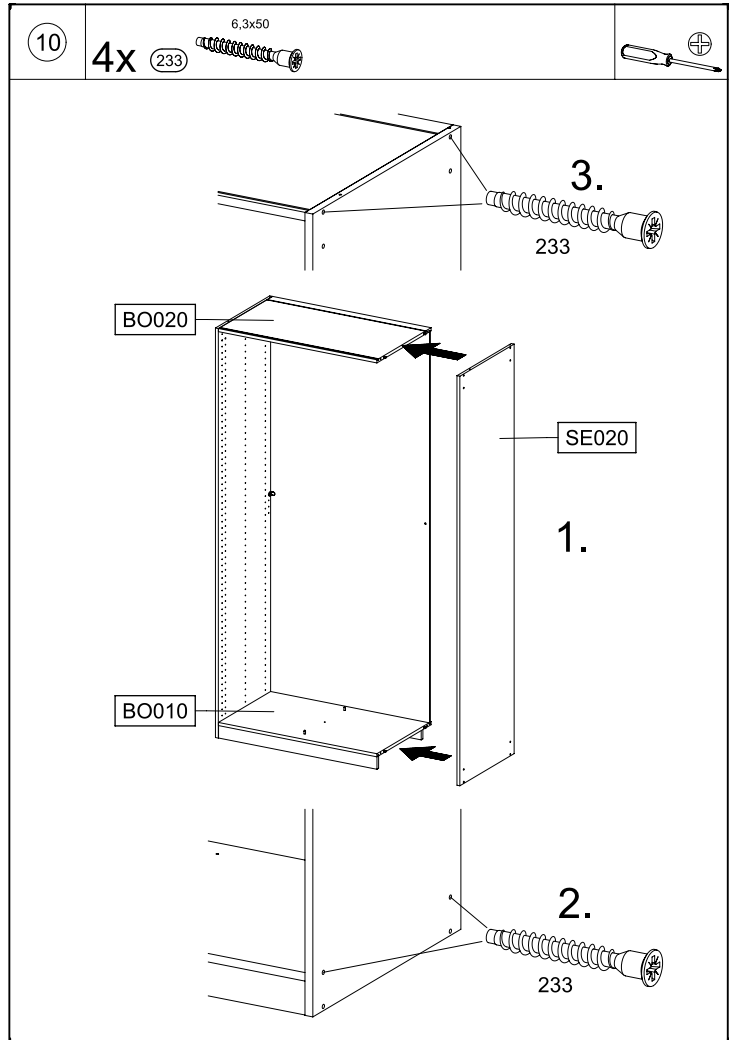
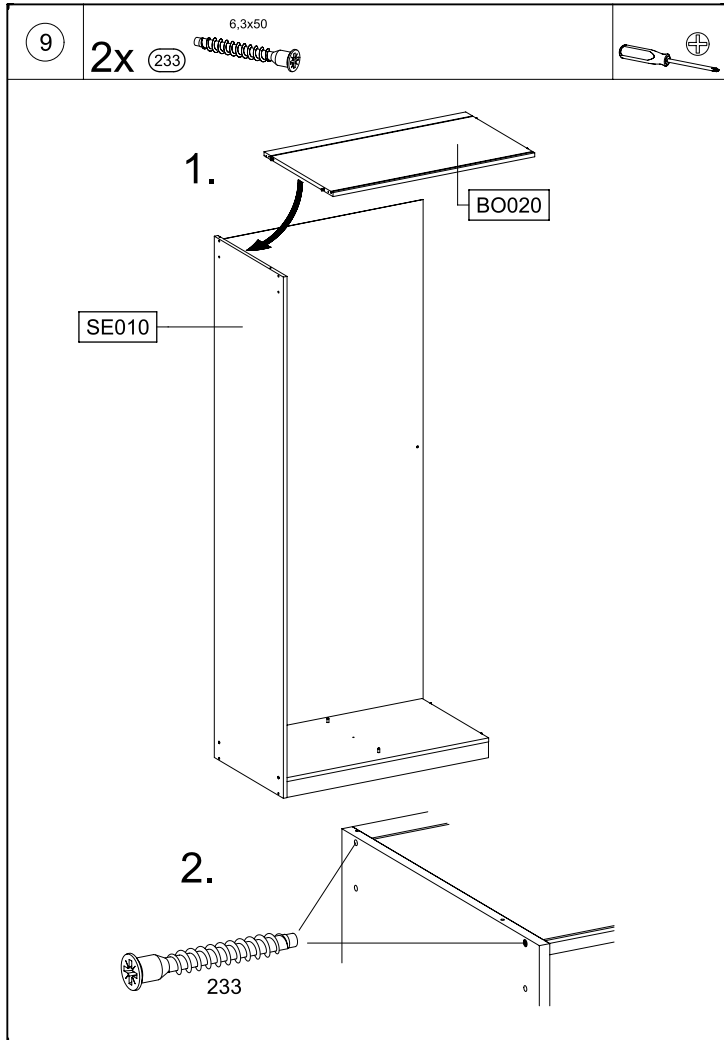
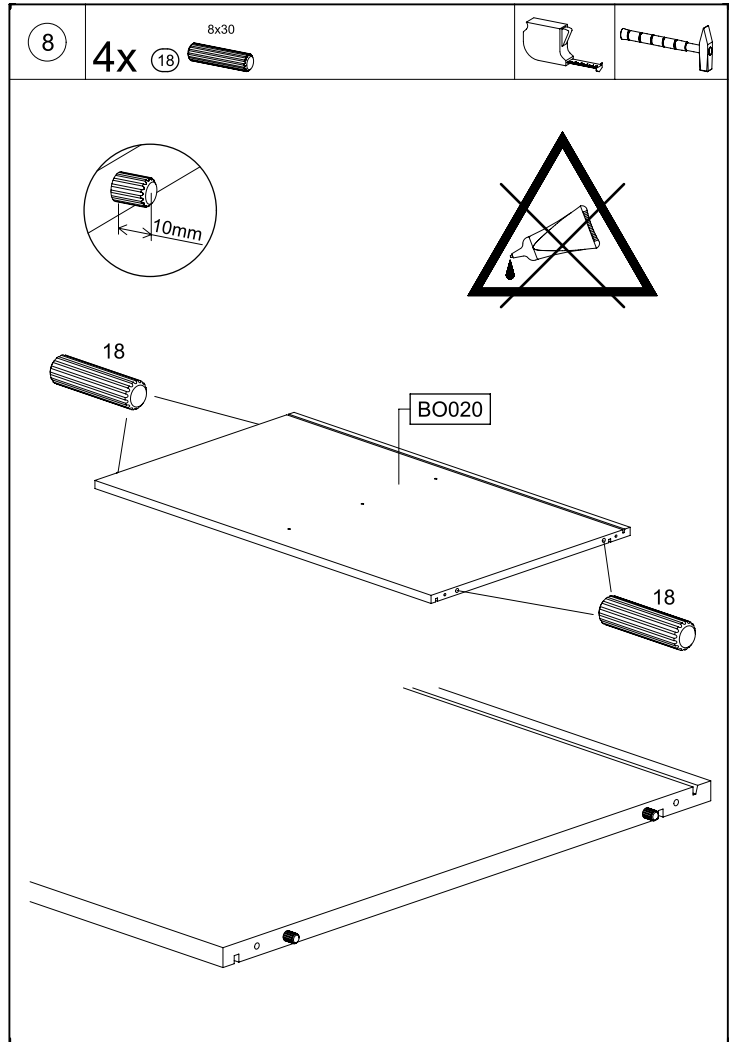
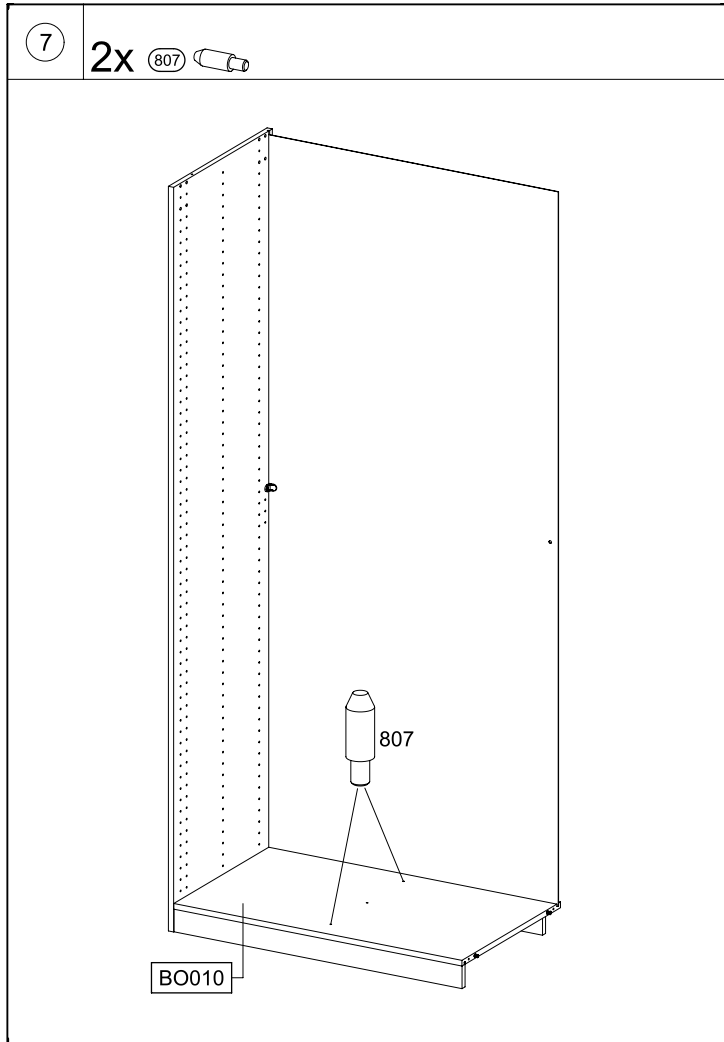
M2904

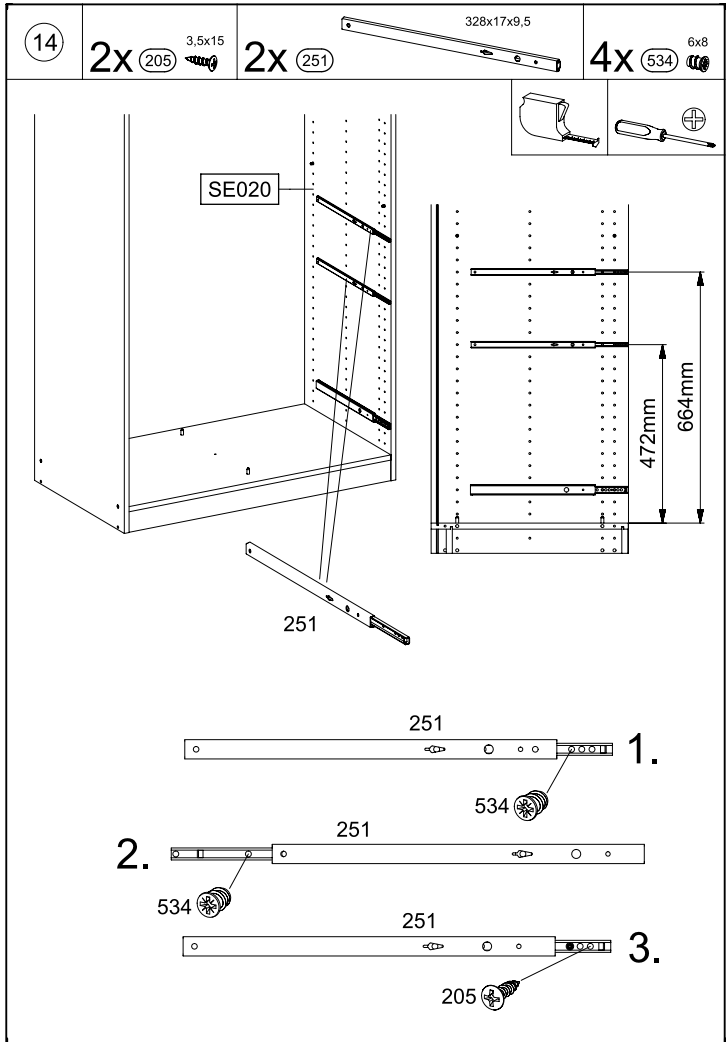
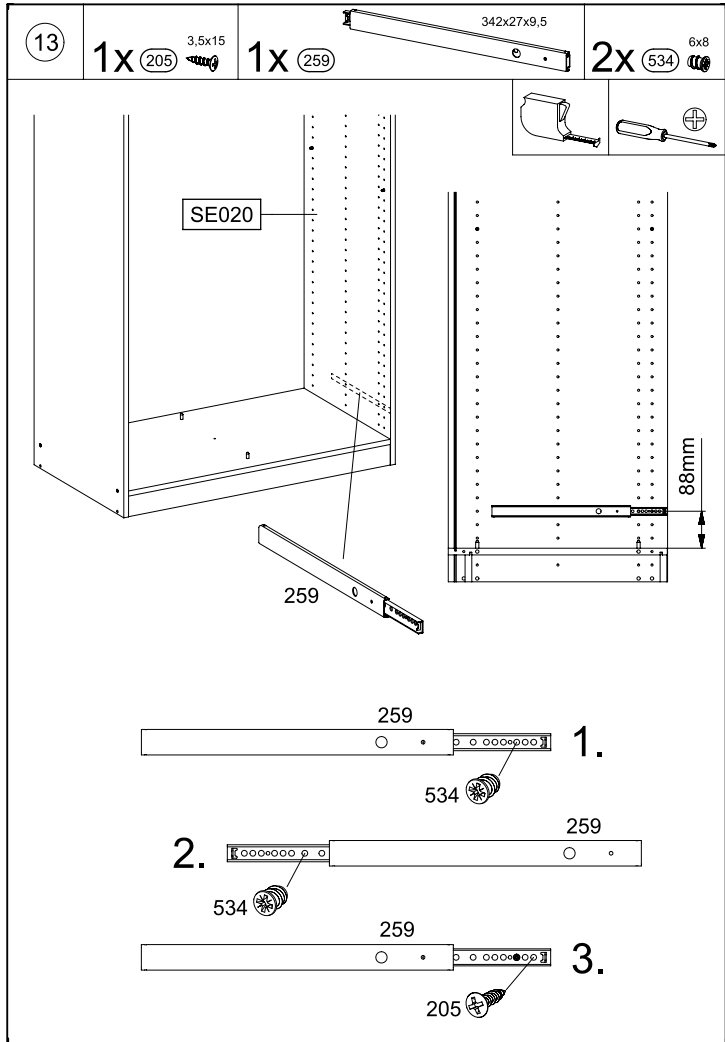
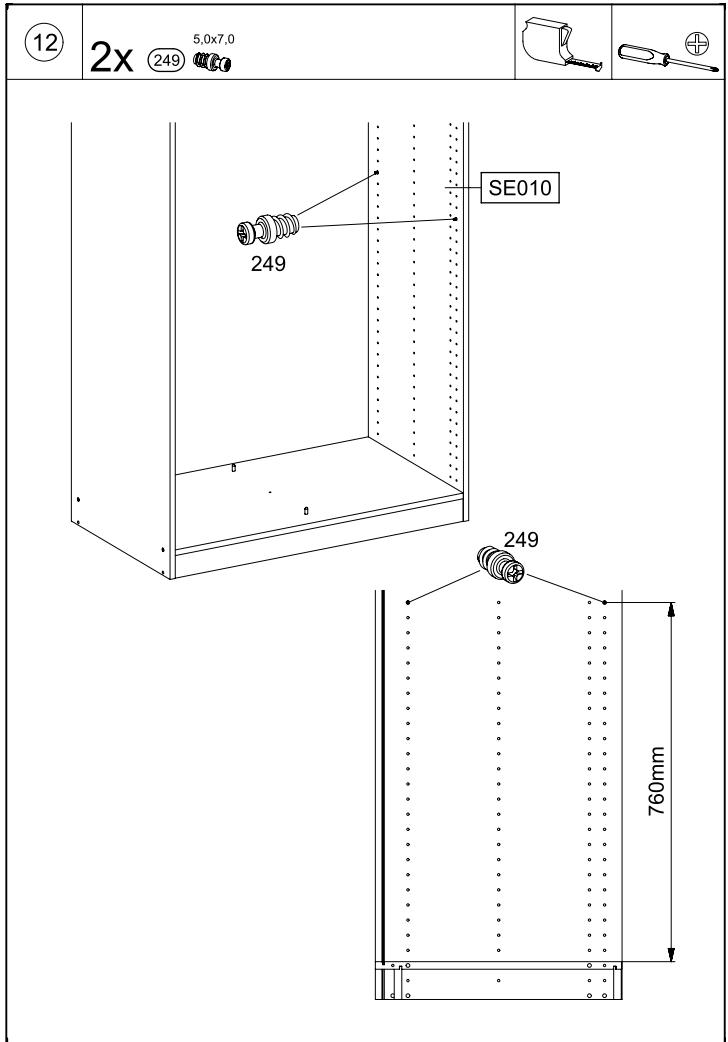
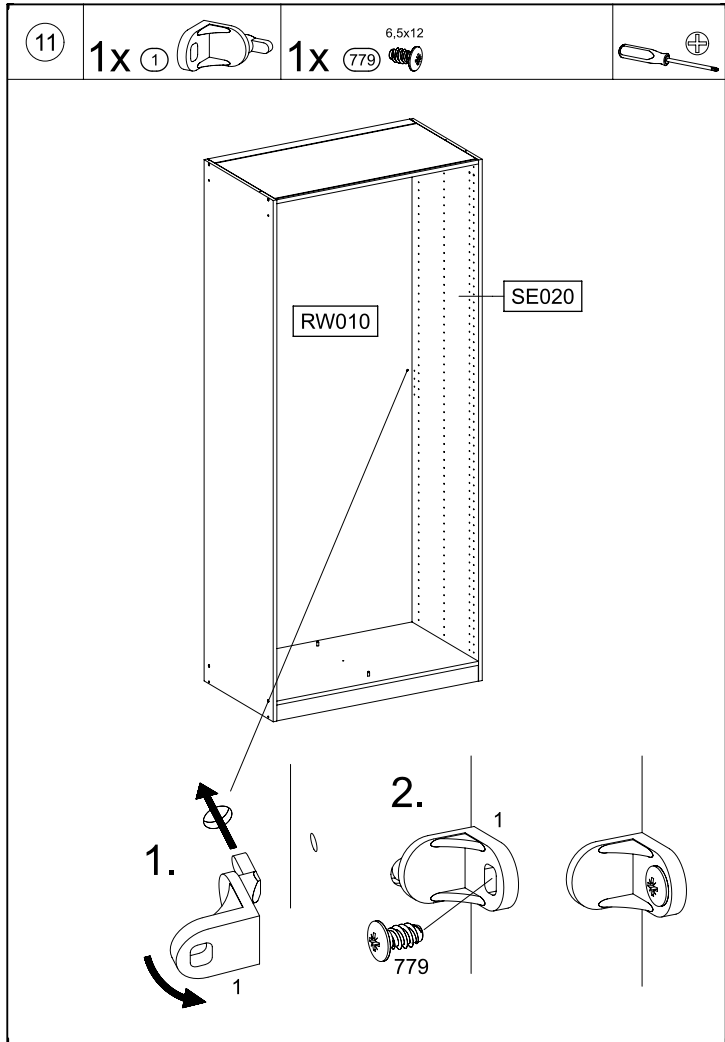


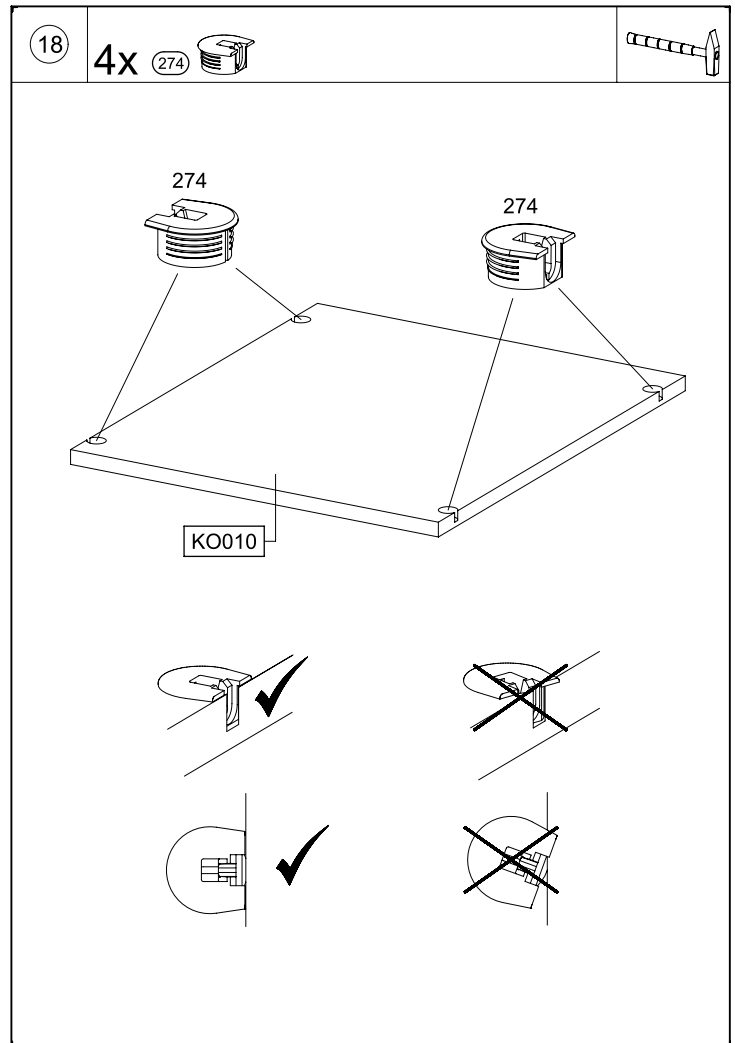
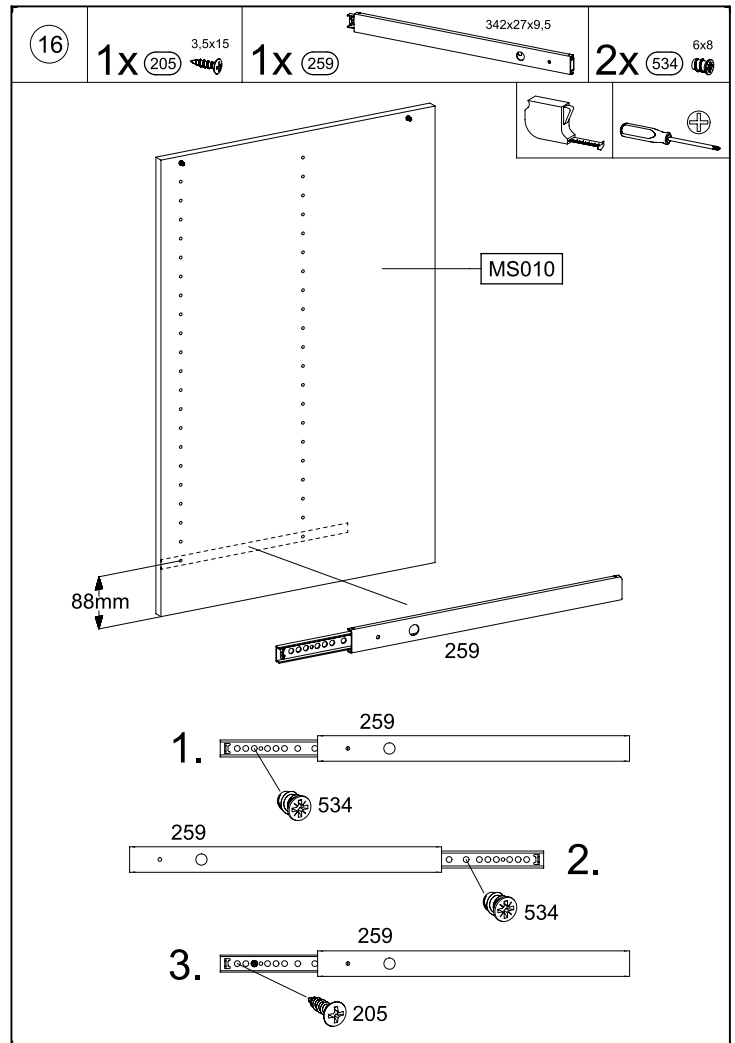
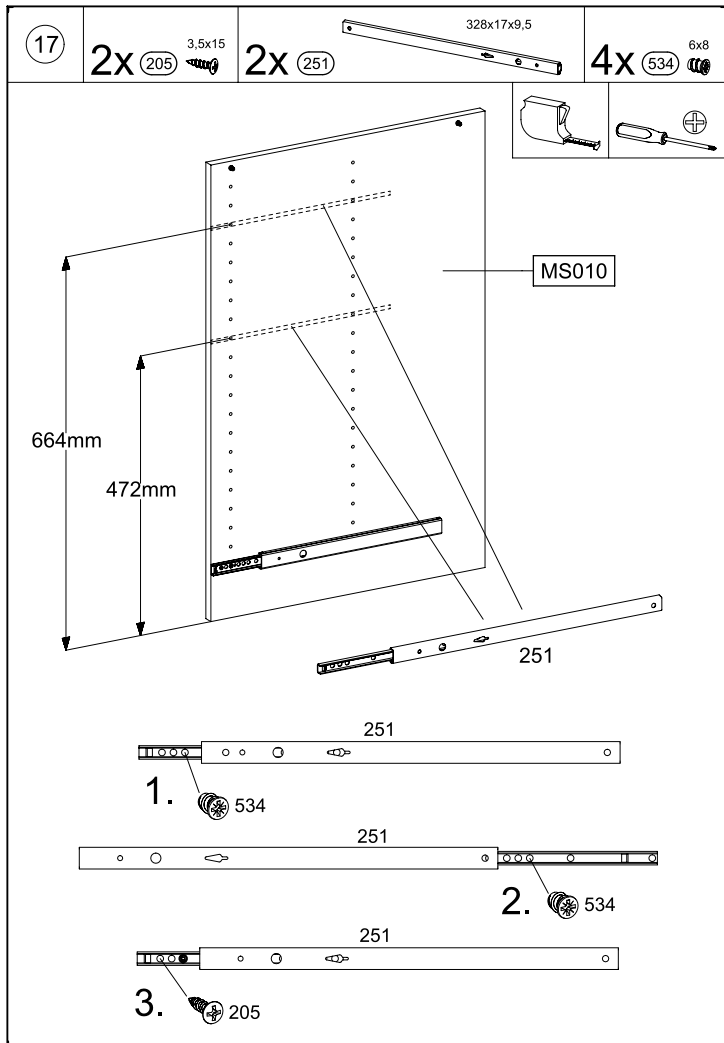
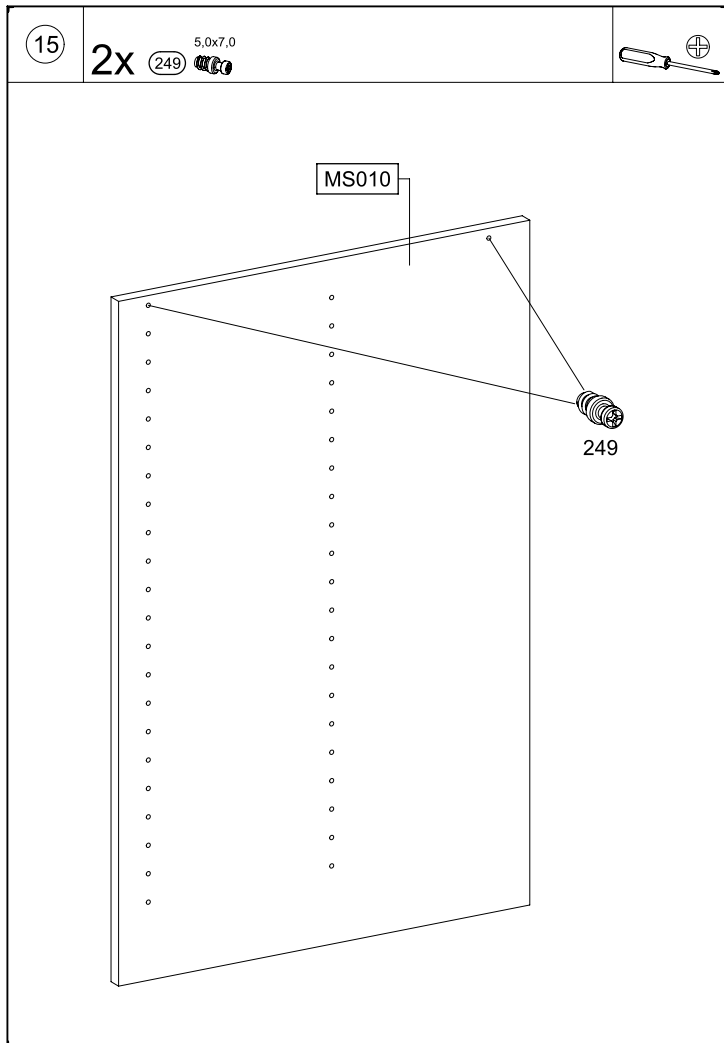
M2904

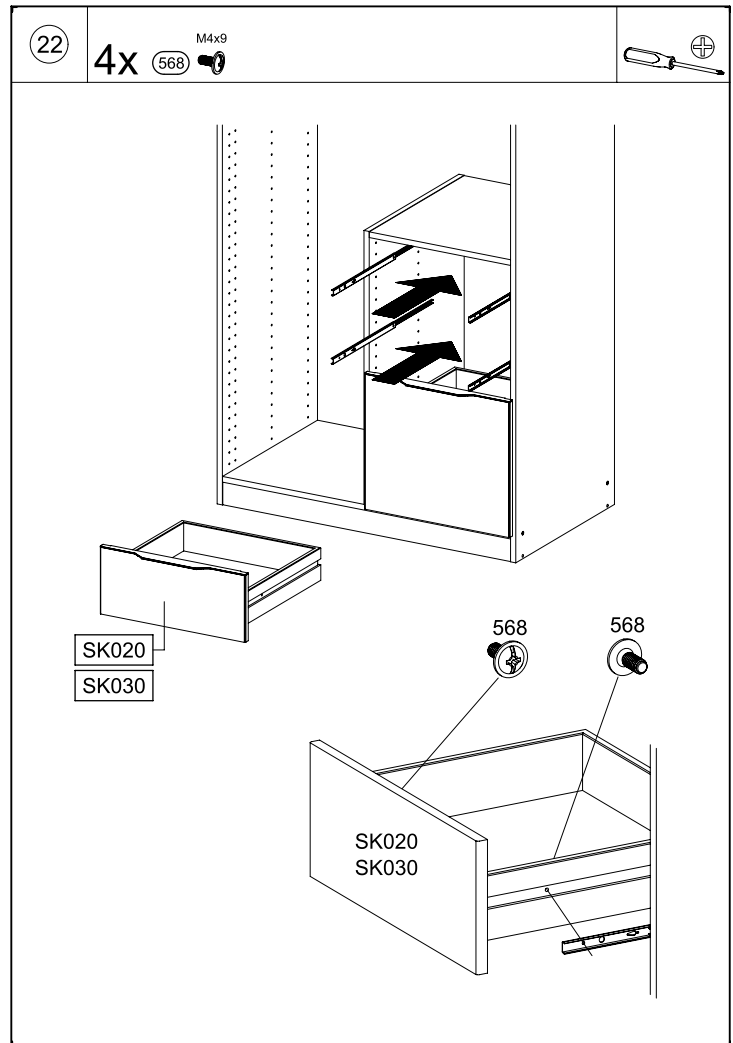
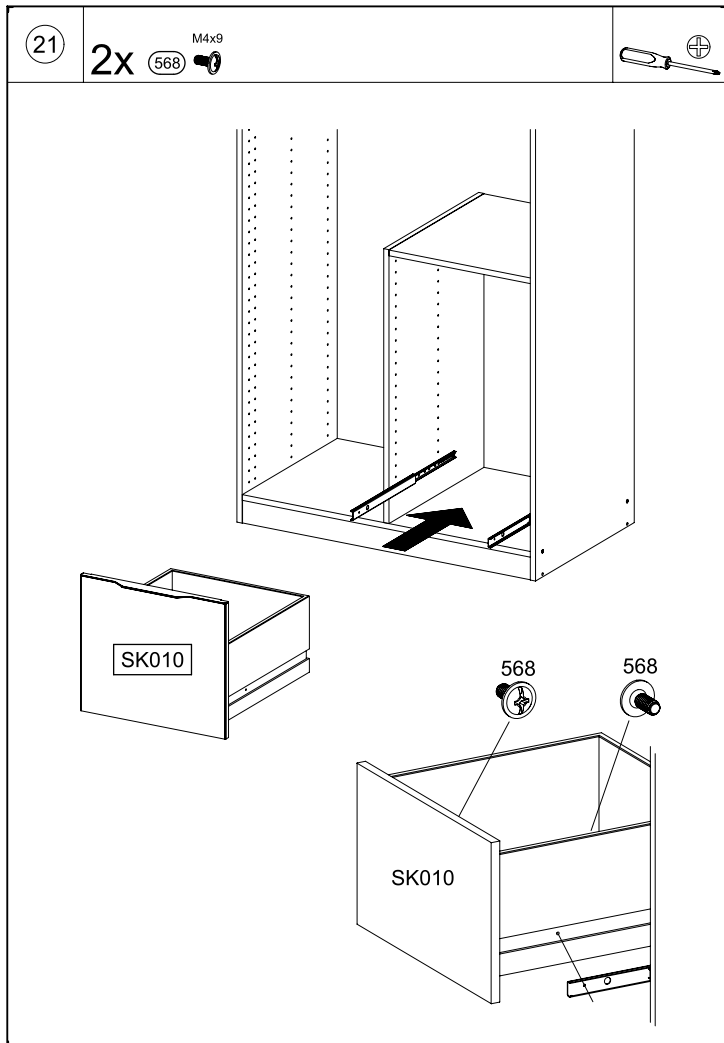
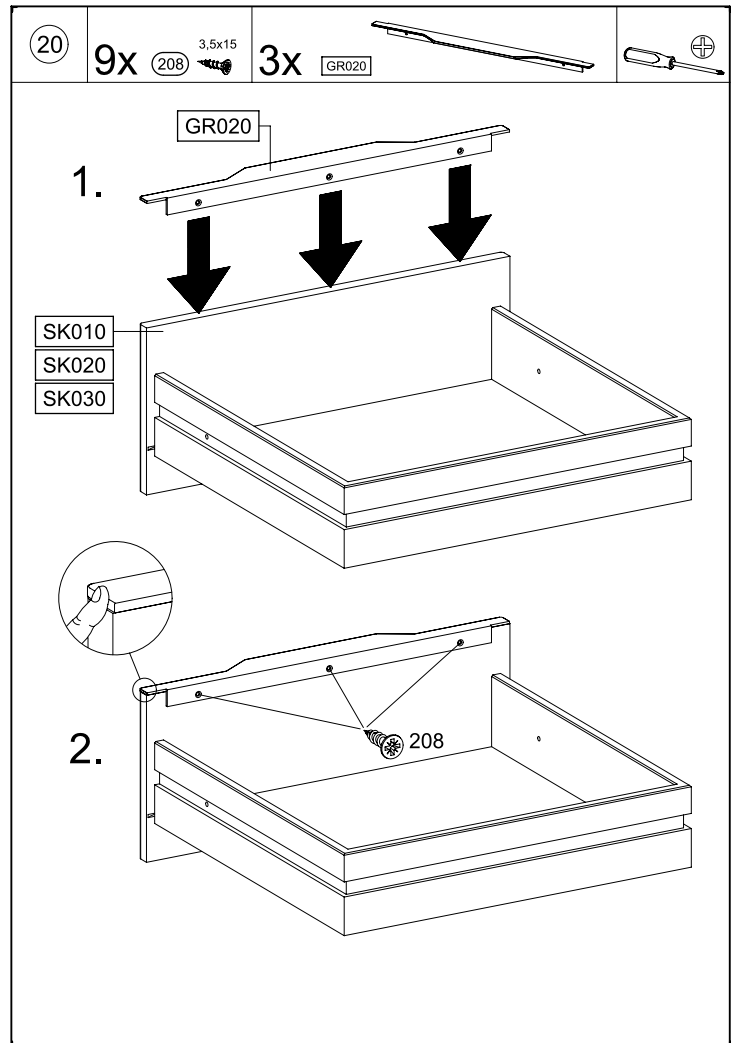
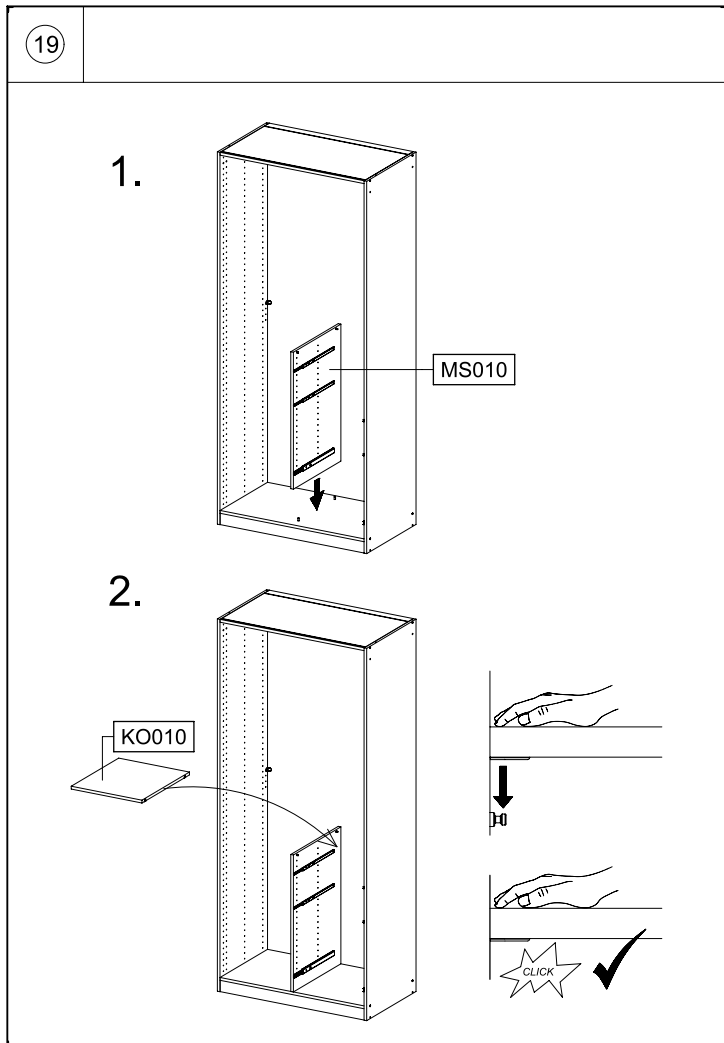


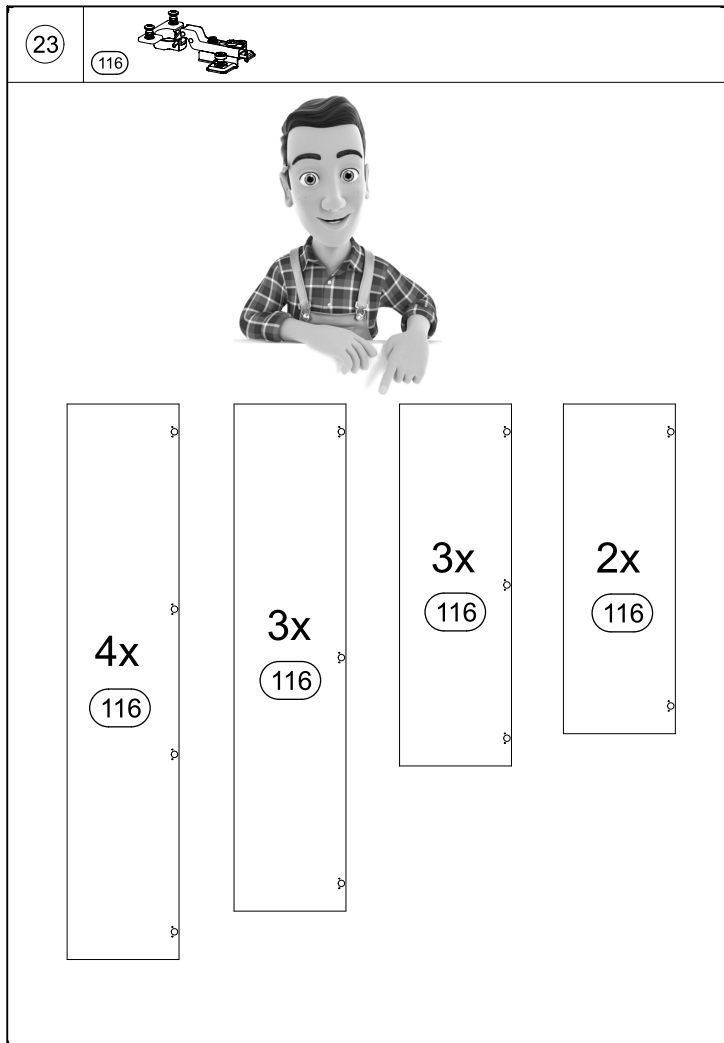
M2904





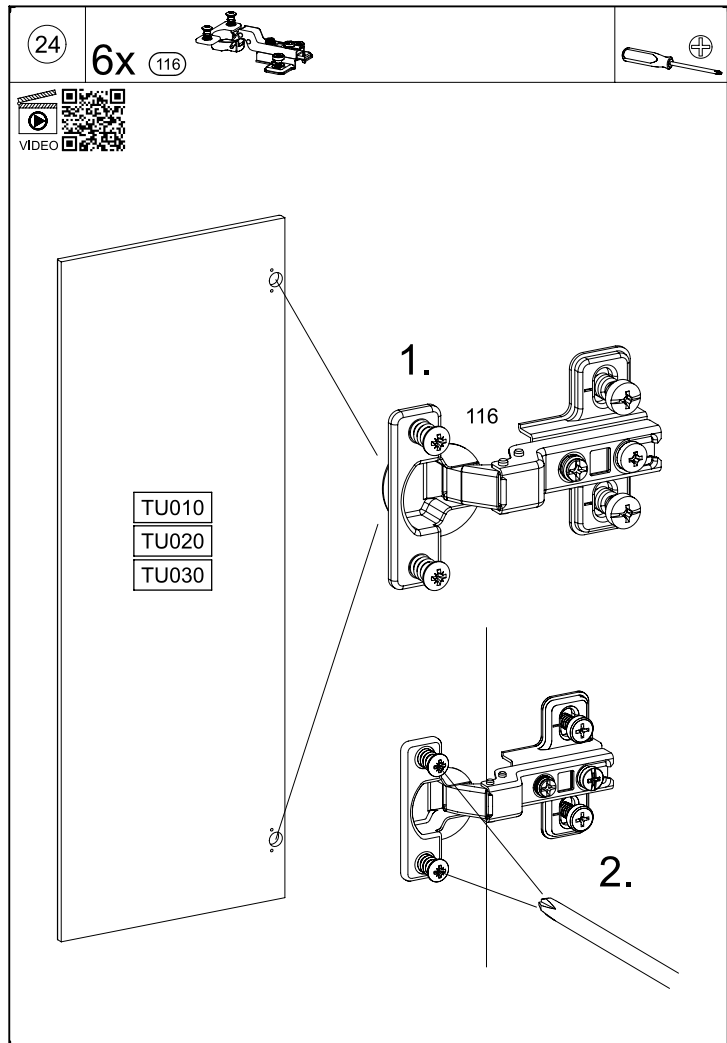






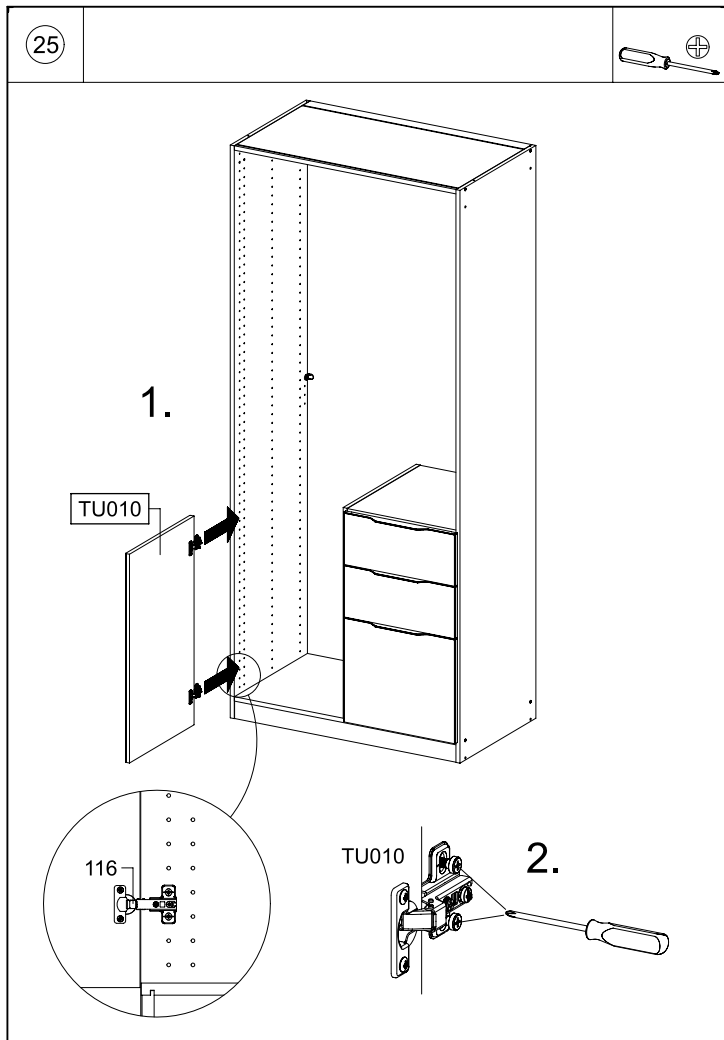
M2904

31.

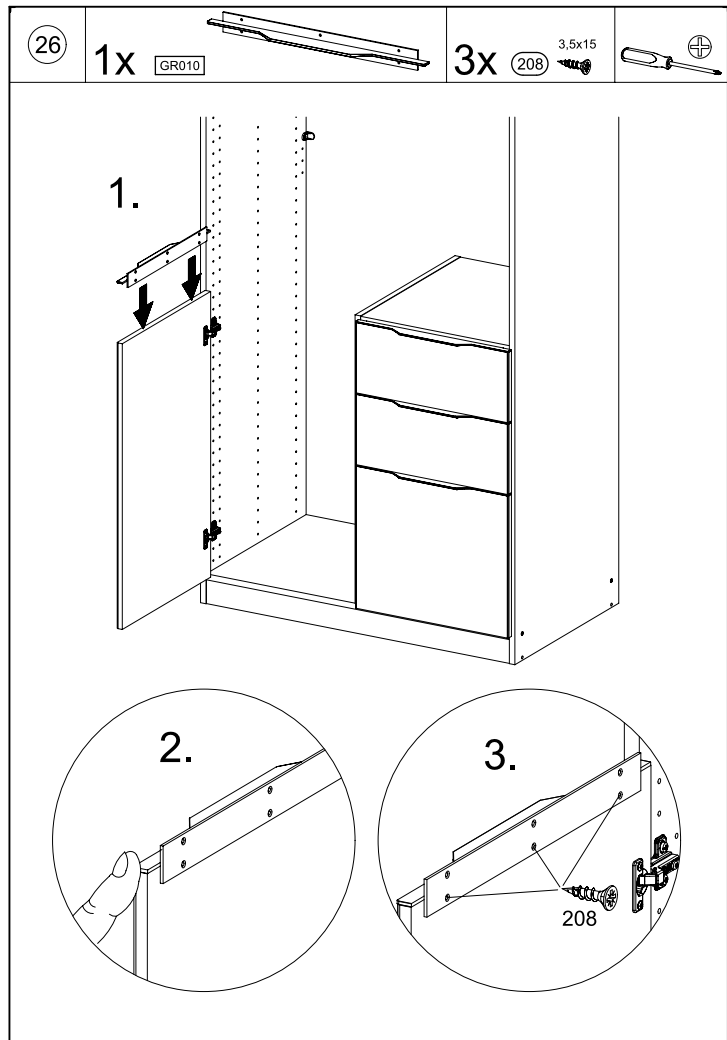


M2904

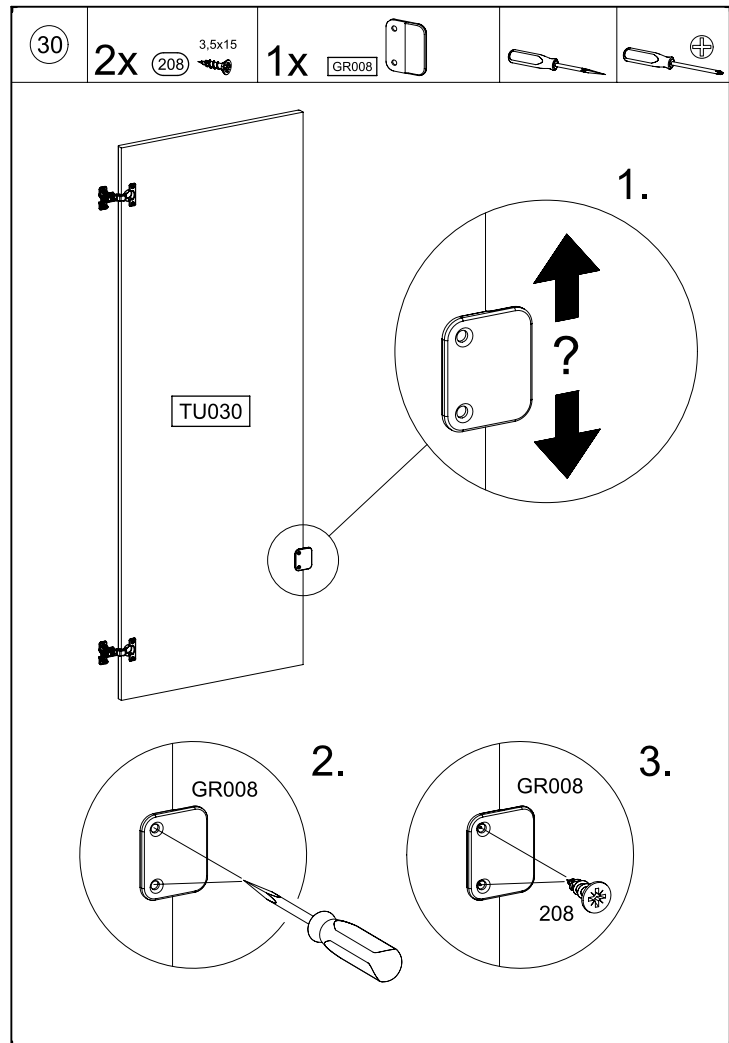
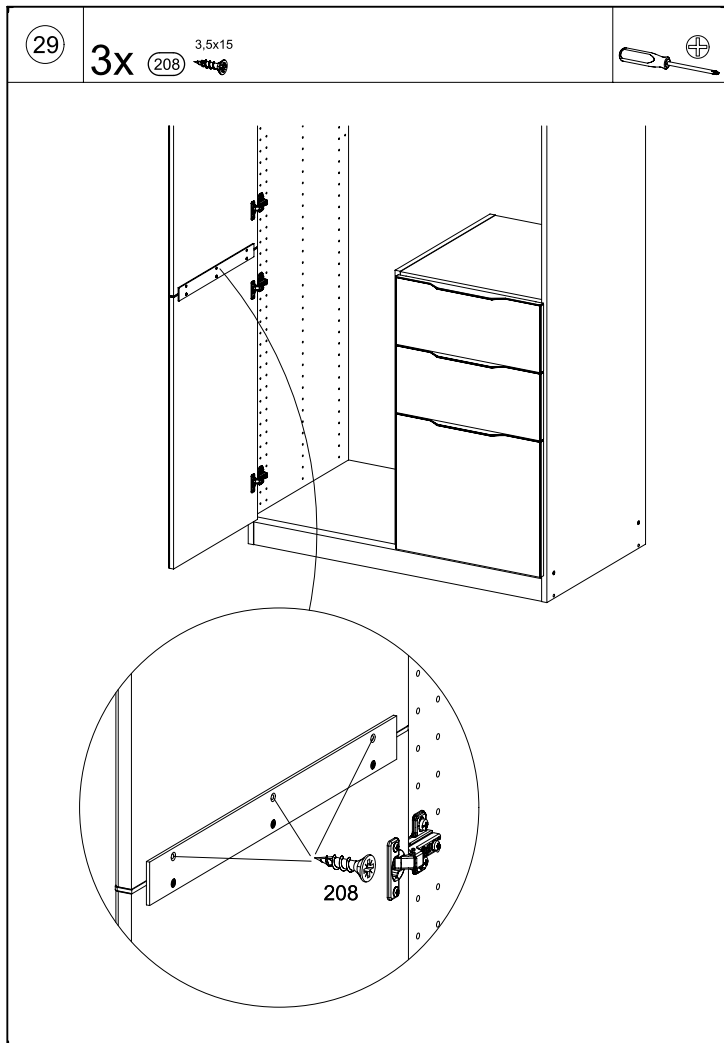
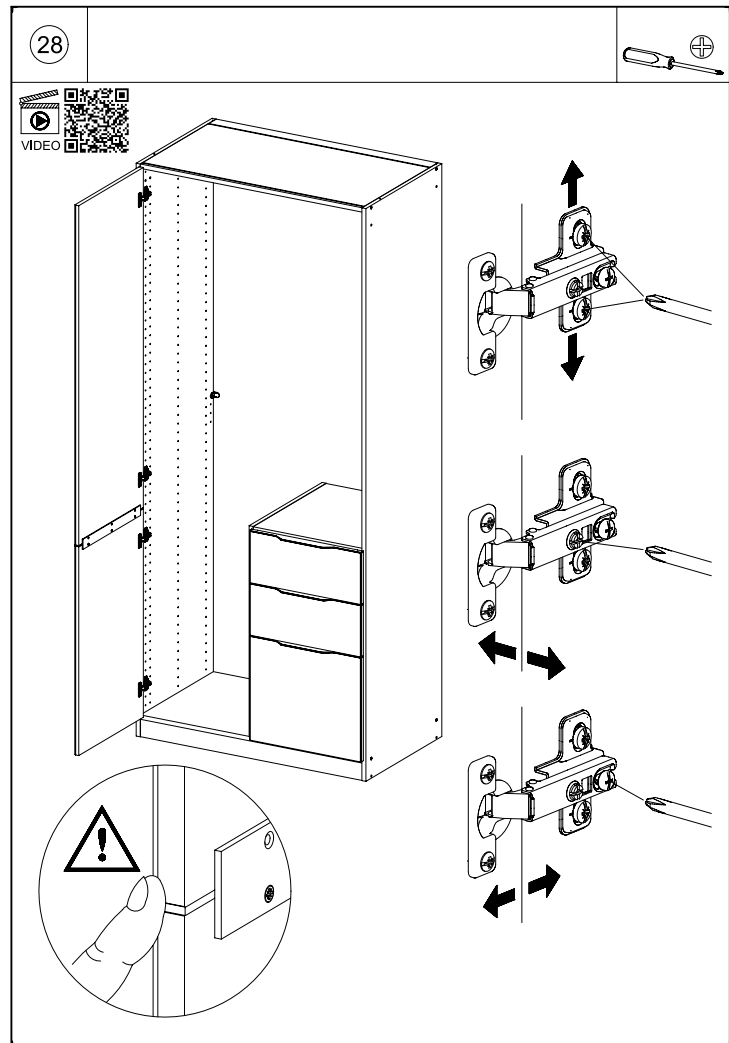
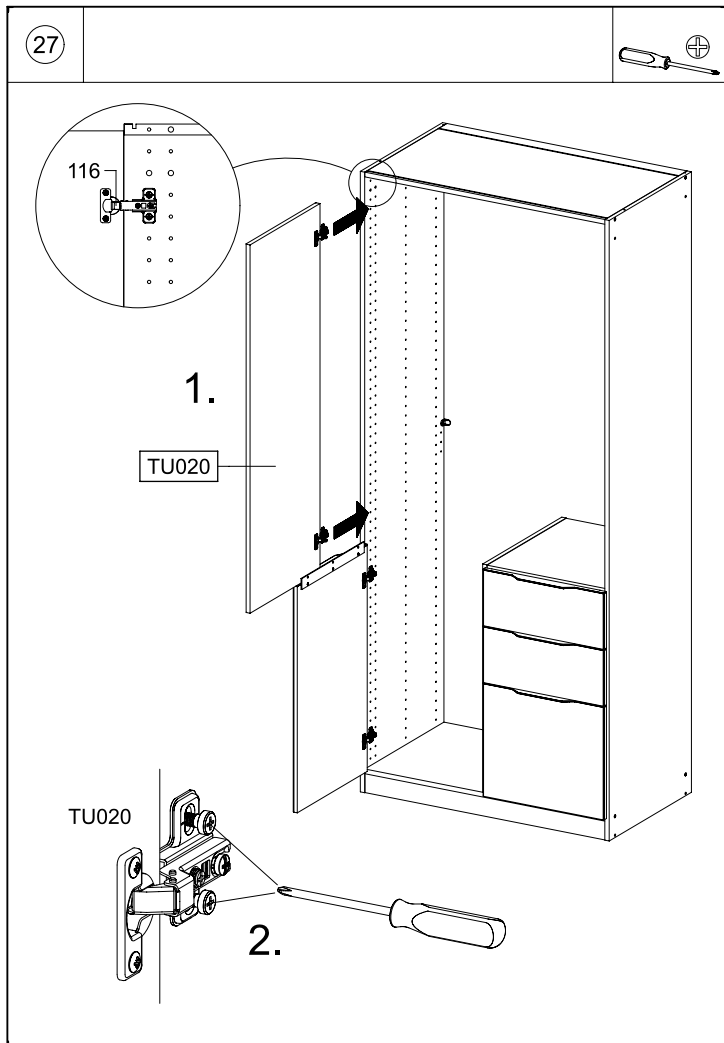
32.

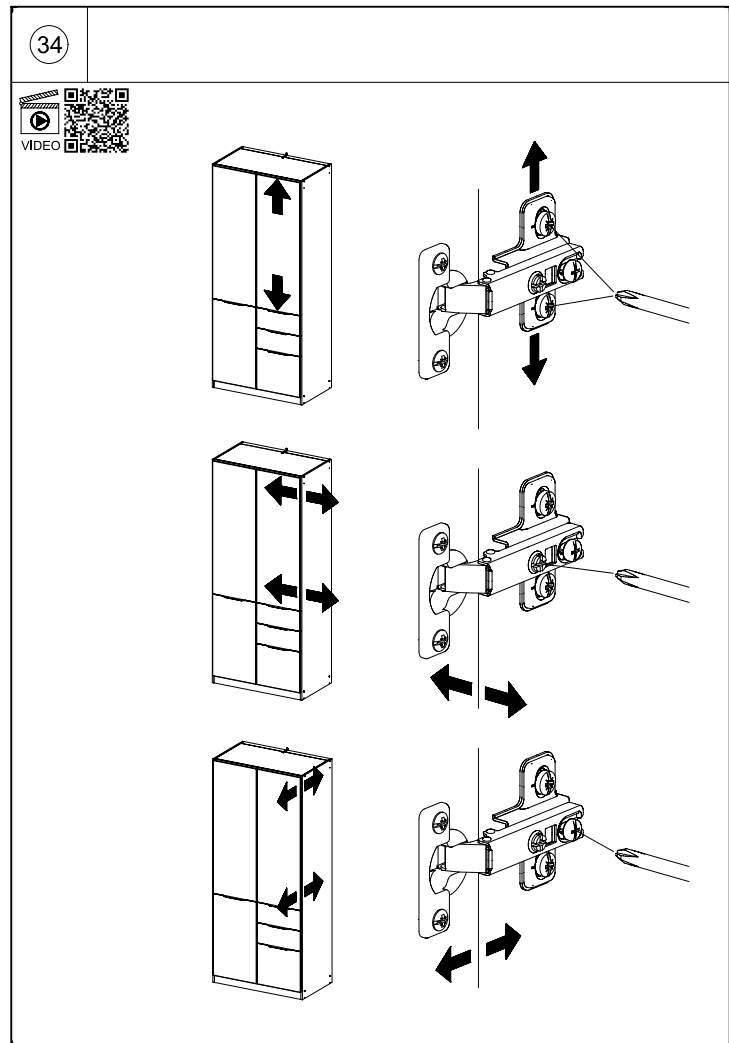
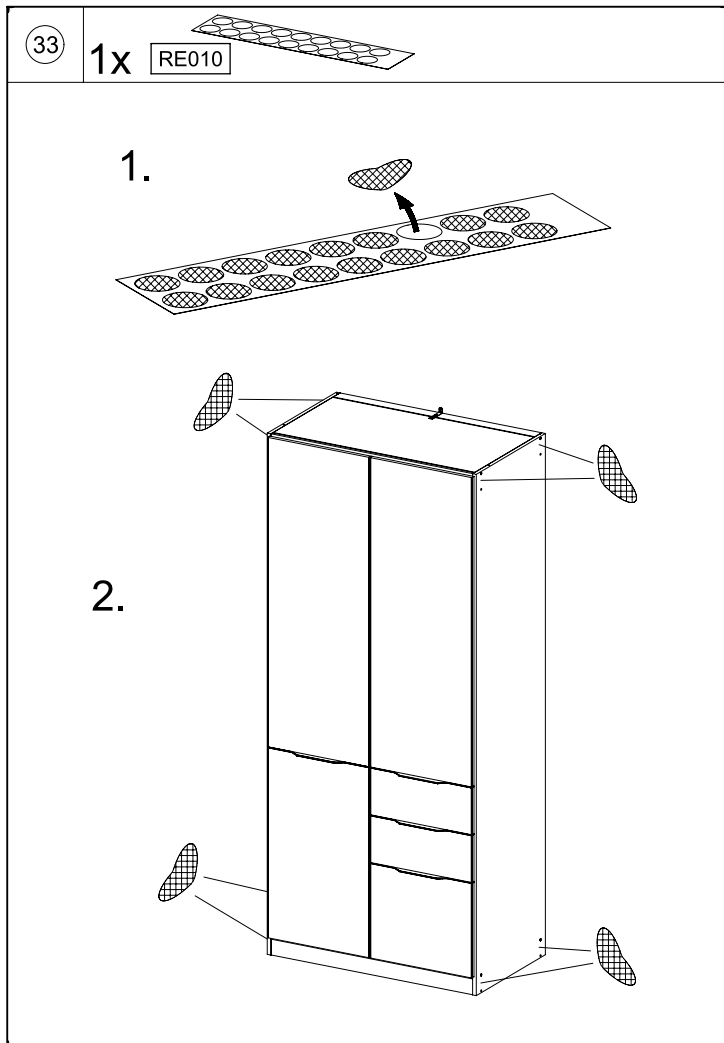
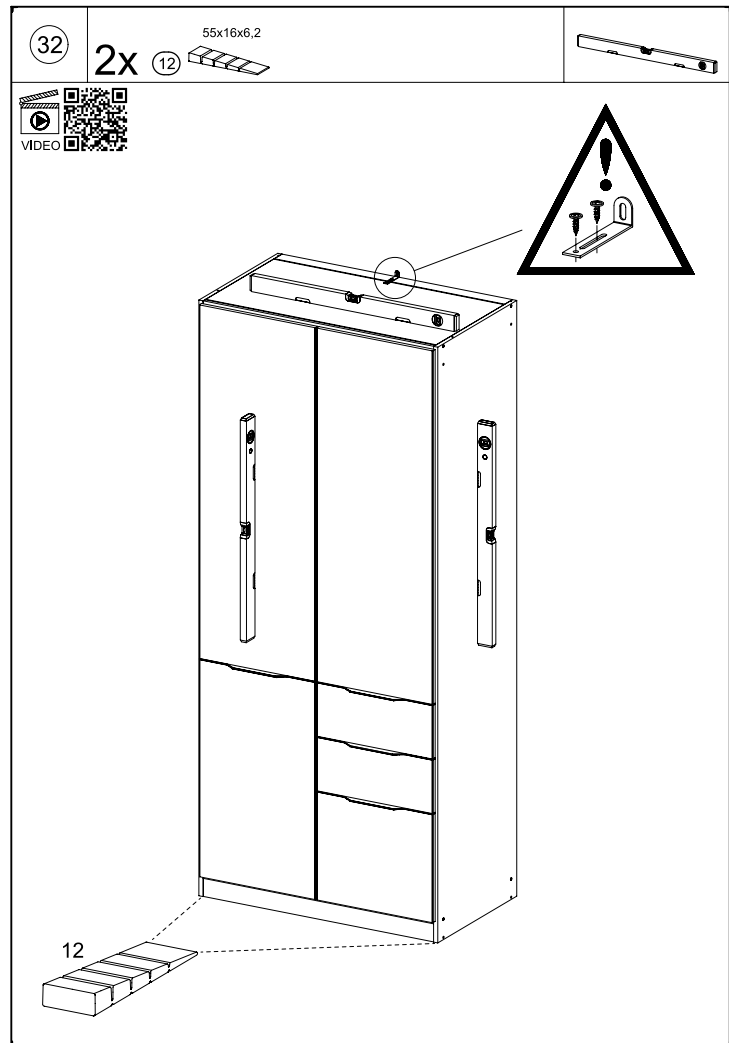
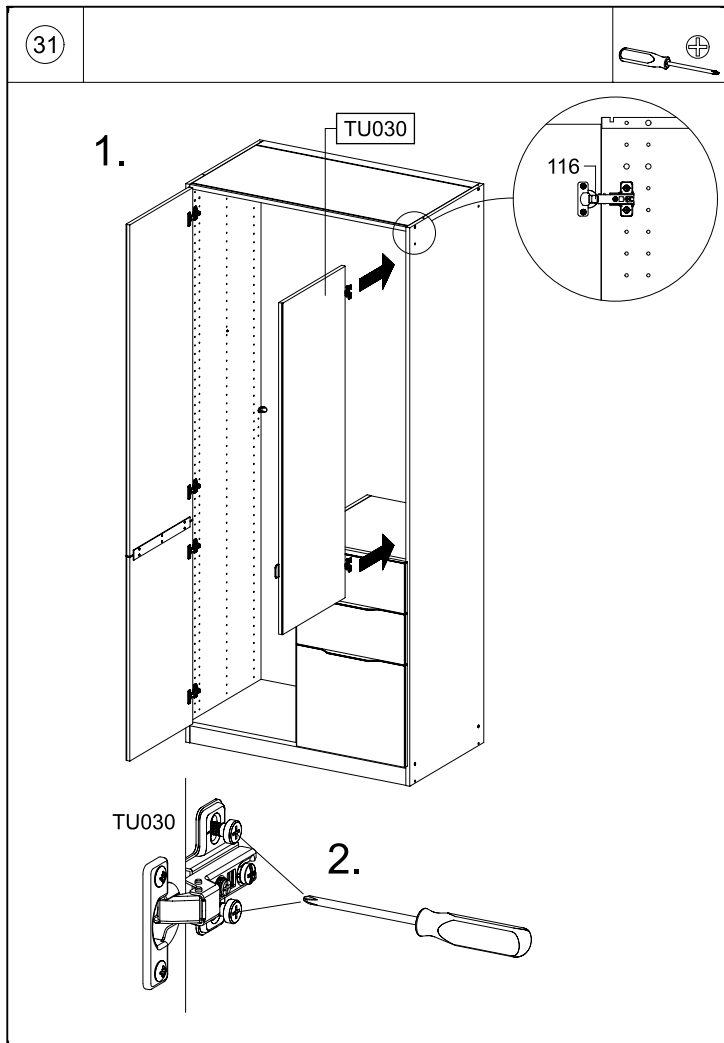


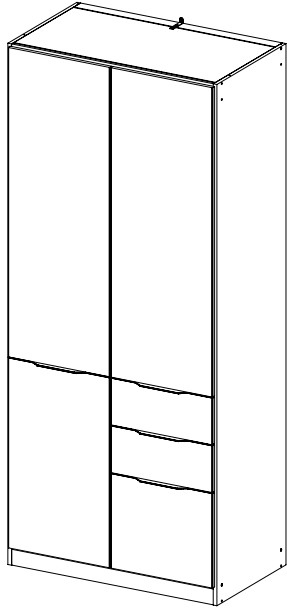
M2904



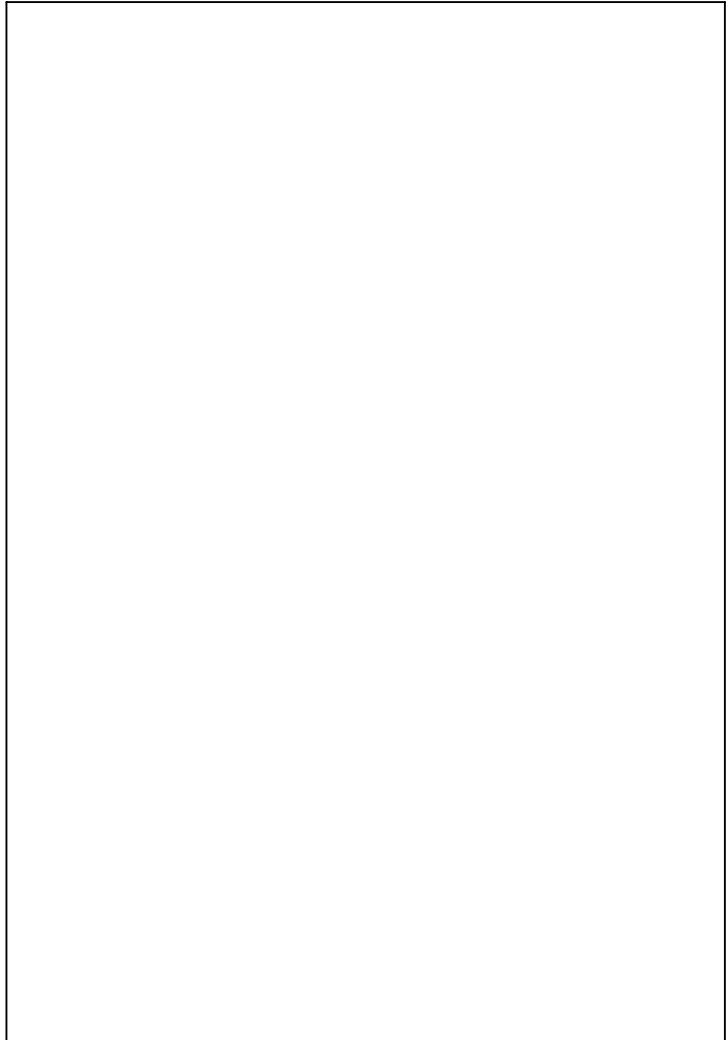
M2904







M2904



M2904