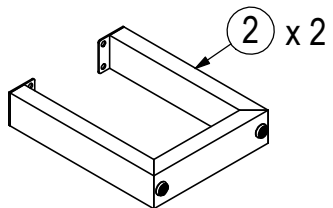
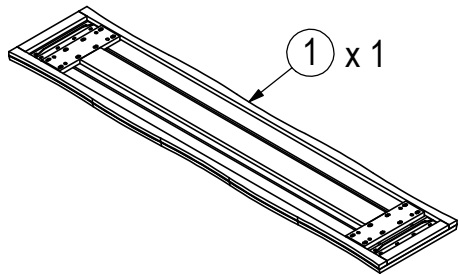



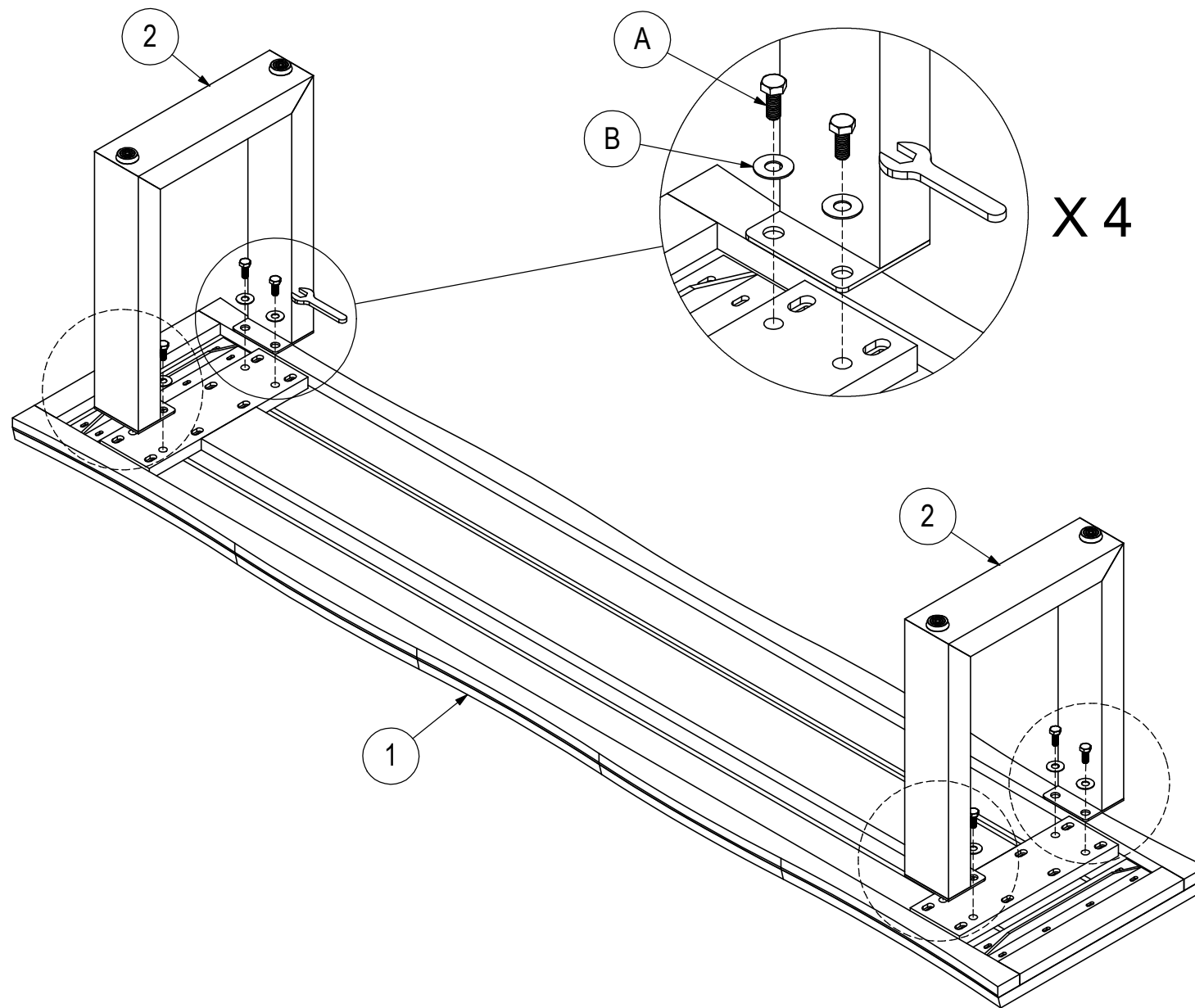


ASSEMBLY INSTRUCTION - 10040002/04



A	 M8x20	X 8
B	 $\varnothing 18 \times \varnothing 8 \times 1 \text{mm}$	X 8
		X 1



ASSEMBLY INSTRUCTION - 10040002/04

