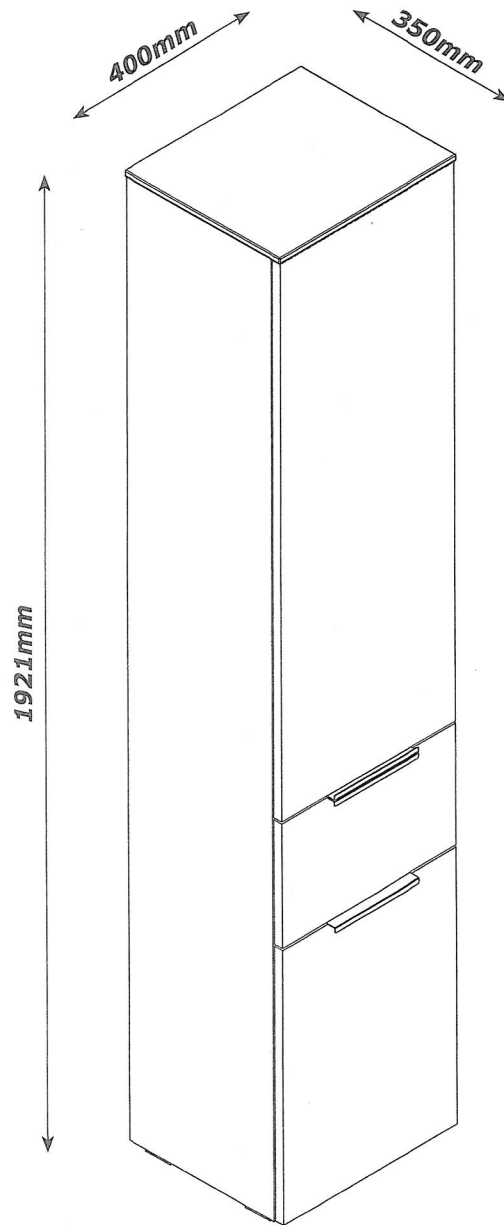


CL4014K56104

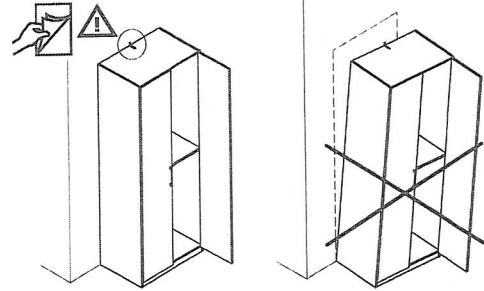
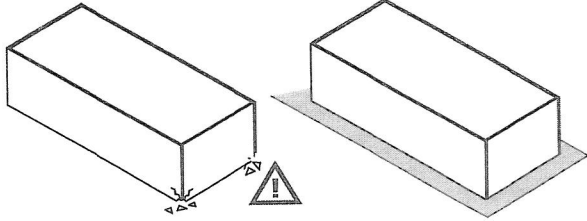
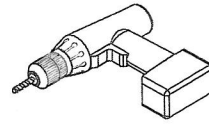
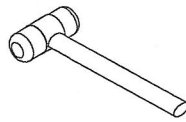
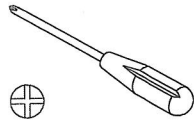
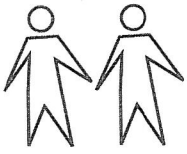
25930093-01



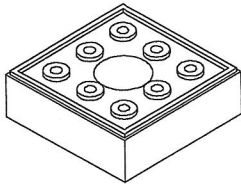
QF5270



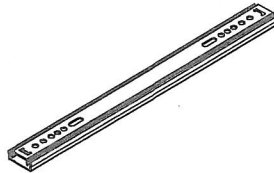
MADE IN ITALY
Produced by COMPOSAD srl. Via Lombardia 29, 46019 Viadana (MN) ITALY



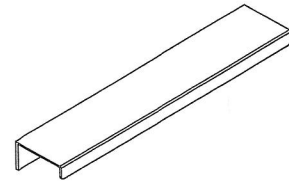
BU4358



P45
x4

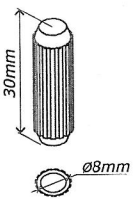


A47
x2

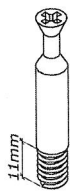


M94
x3

BU4309



H1
x12



T28
x10



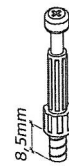
T98
x2



T99
x12



R40
x12



T83
x4



H54
x10



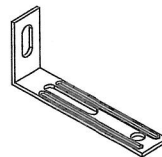
V38
x2



H2
x18



V5
x28



H185
x1



H129
x2



V98
x2



G128
x2



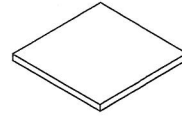
G57
x4



H113
x7



G31
x4

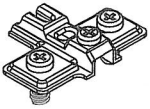


H233
x4

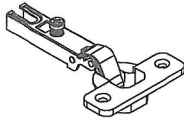


V109
x8

BU0376



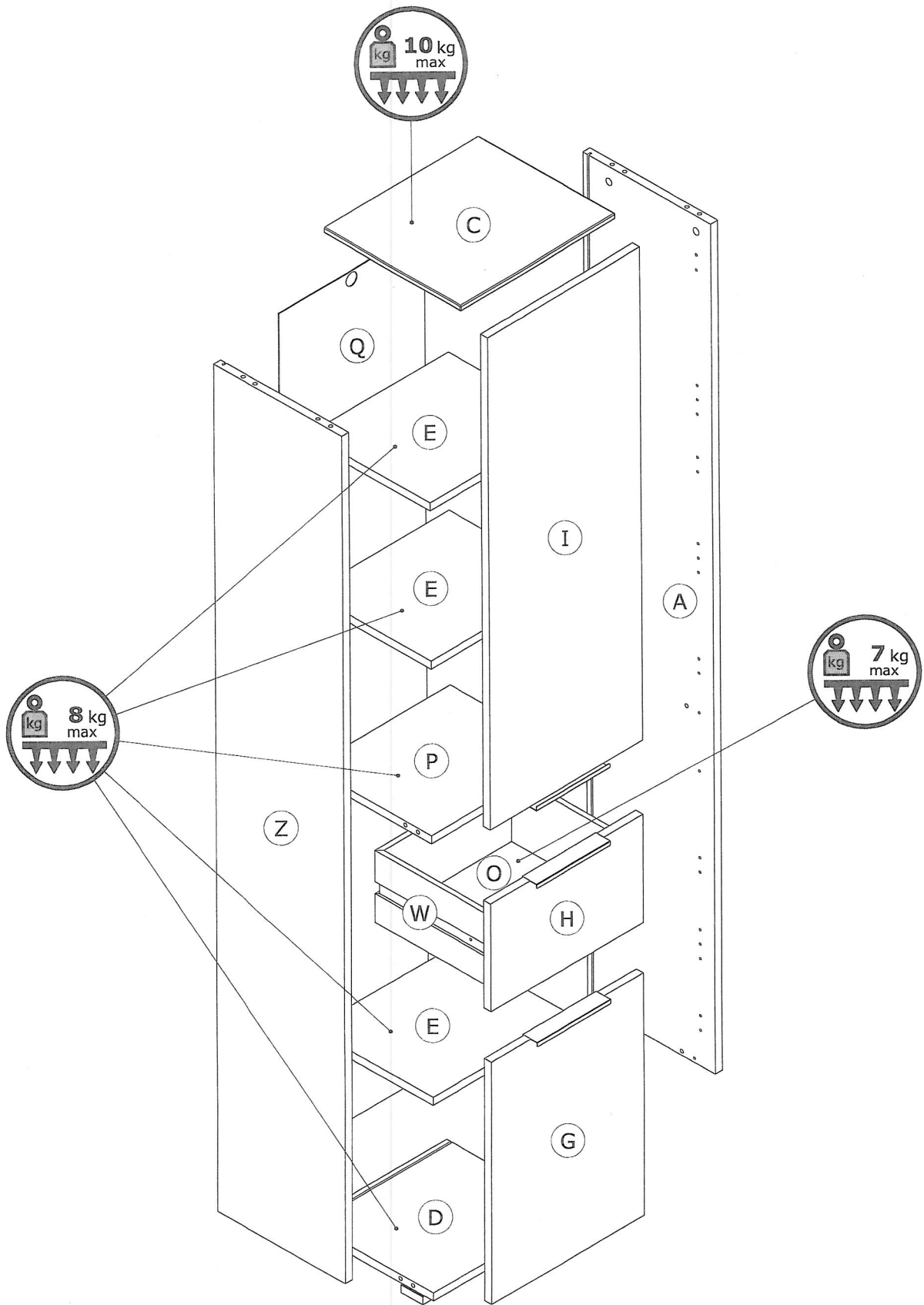
B9
x5

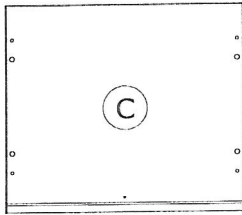


C1
x5

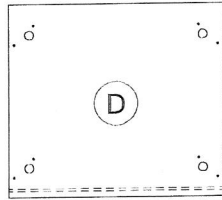


V5
x10

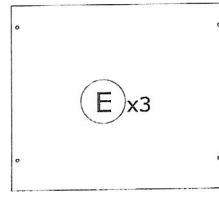




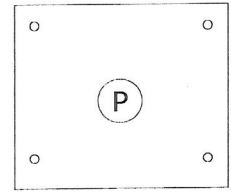
CA3612
400x350x12mm



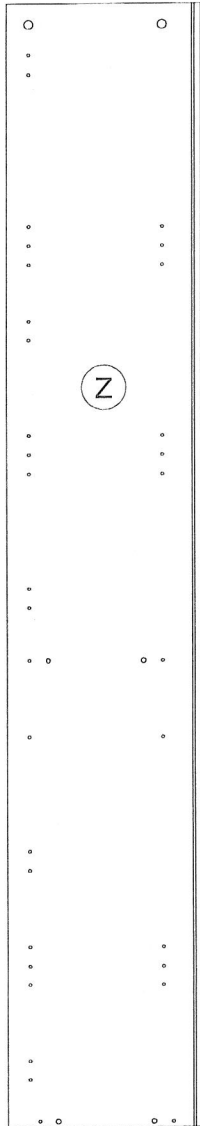
BA2198
360x325x18mm



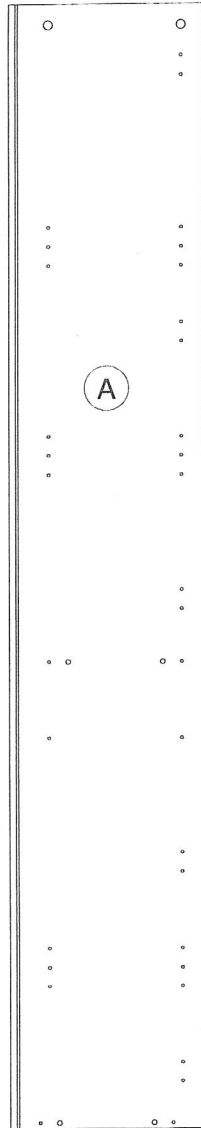
PI7180
360x311x18mm



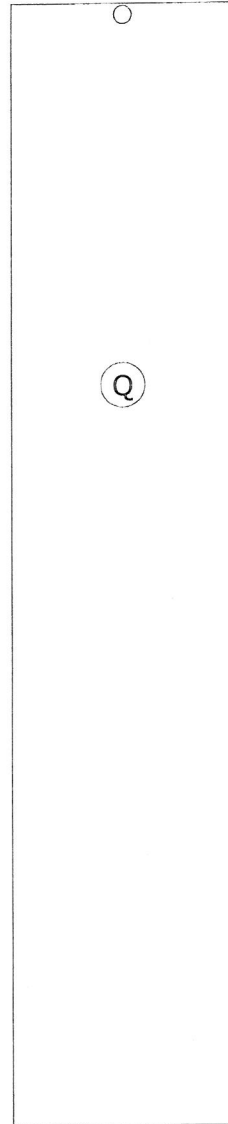
PI7181
360x310x18mm



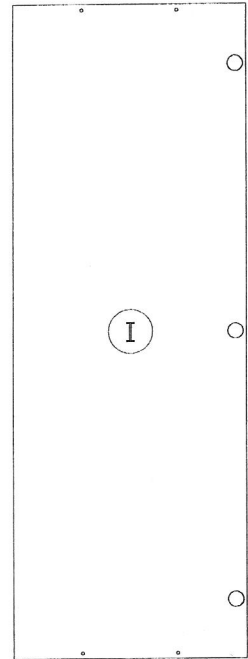
FI8740
1886x327x18mm



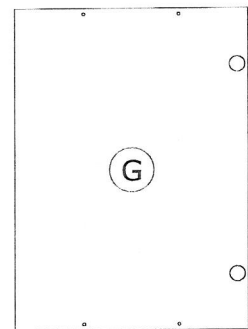
FI8742
1886x327x18mm



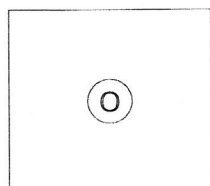
SS0759
1880x374x2mm



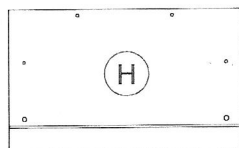
AN2939
1094x393x18mm



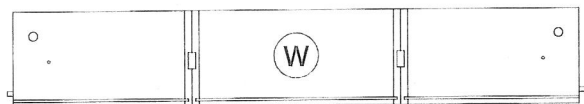
AN2937
540x393x18mm



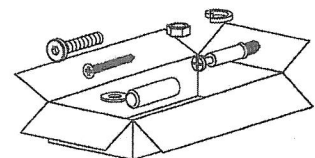
SH3385
339x301x2mm



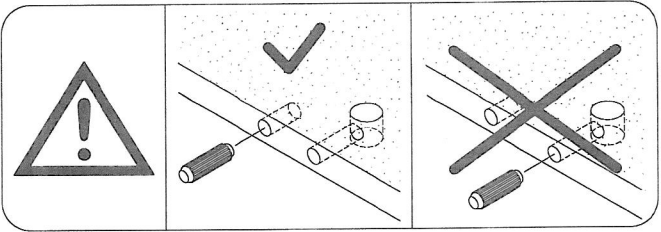
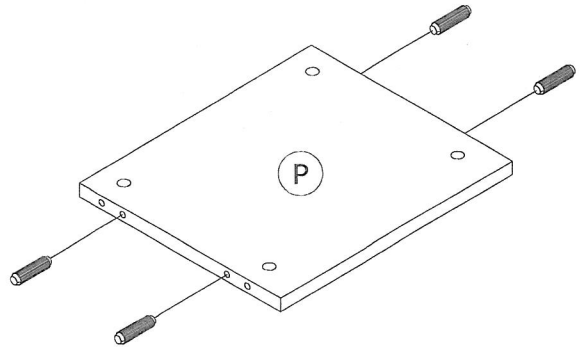
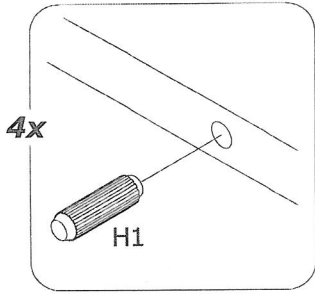
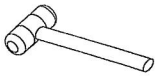
CS3431
393x240x18mm



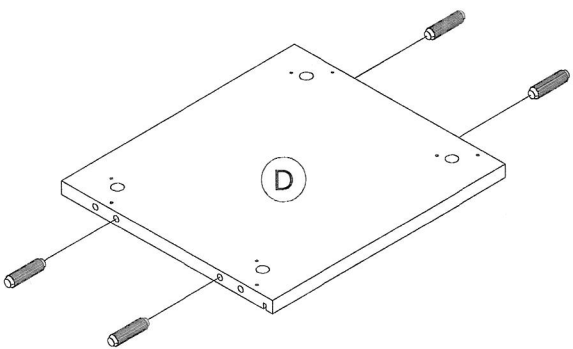
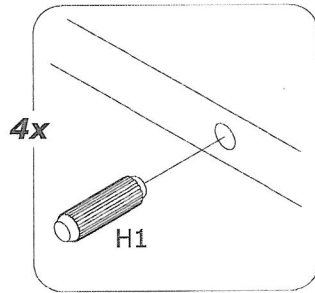
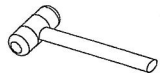
OF0585
300x352x300mm H.160mm



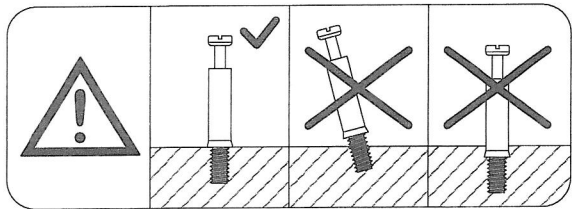
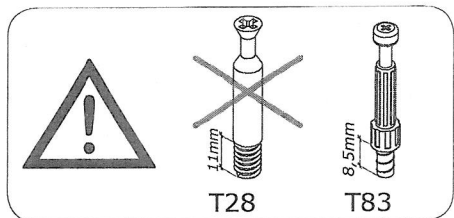
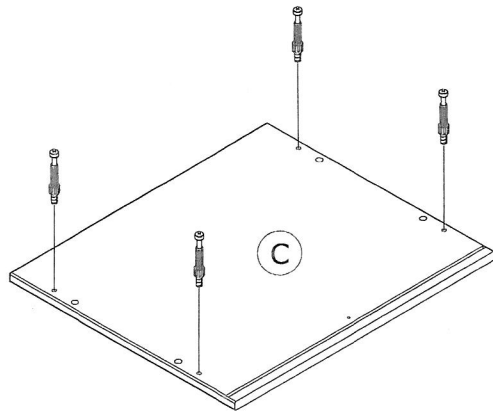
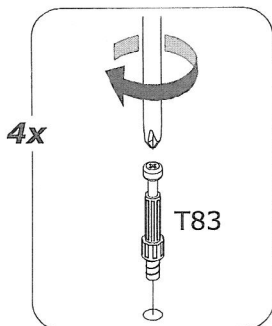
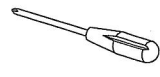
1



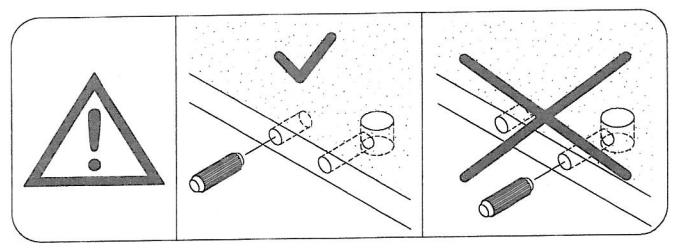
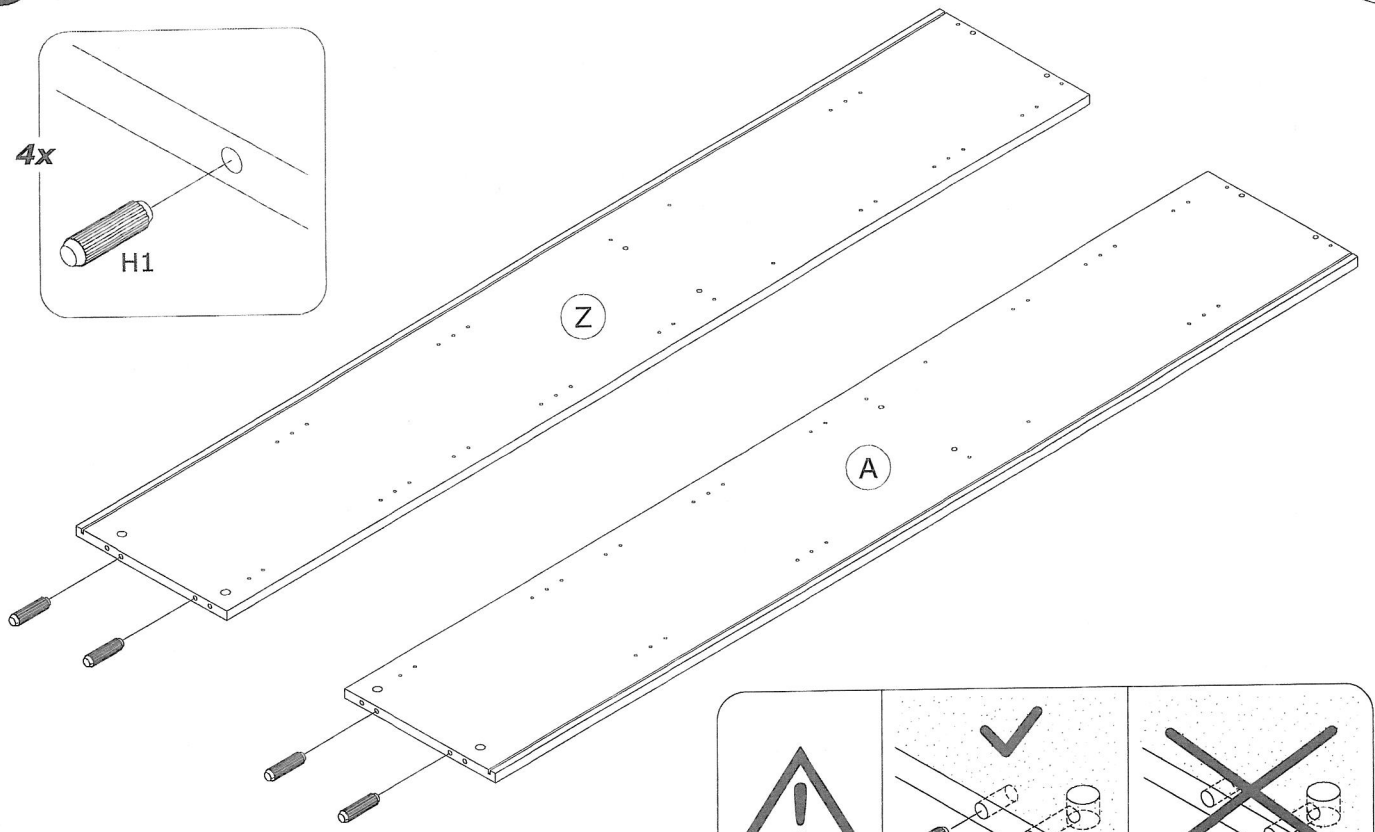
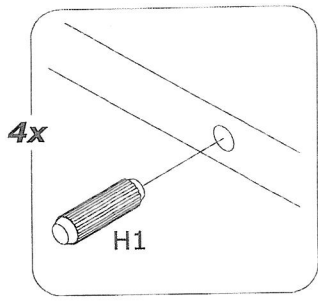
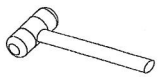
2



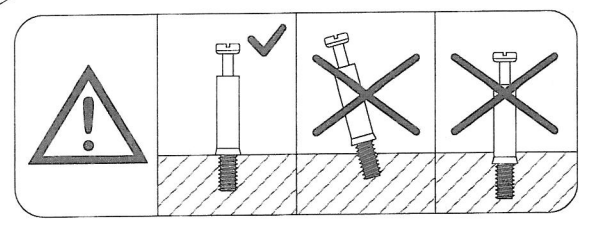
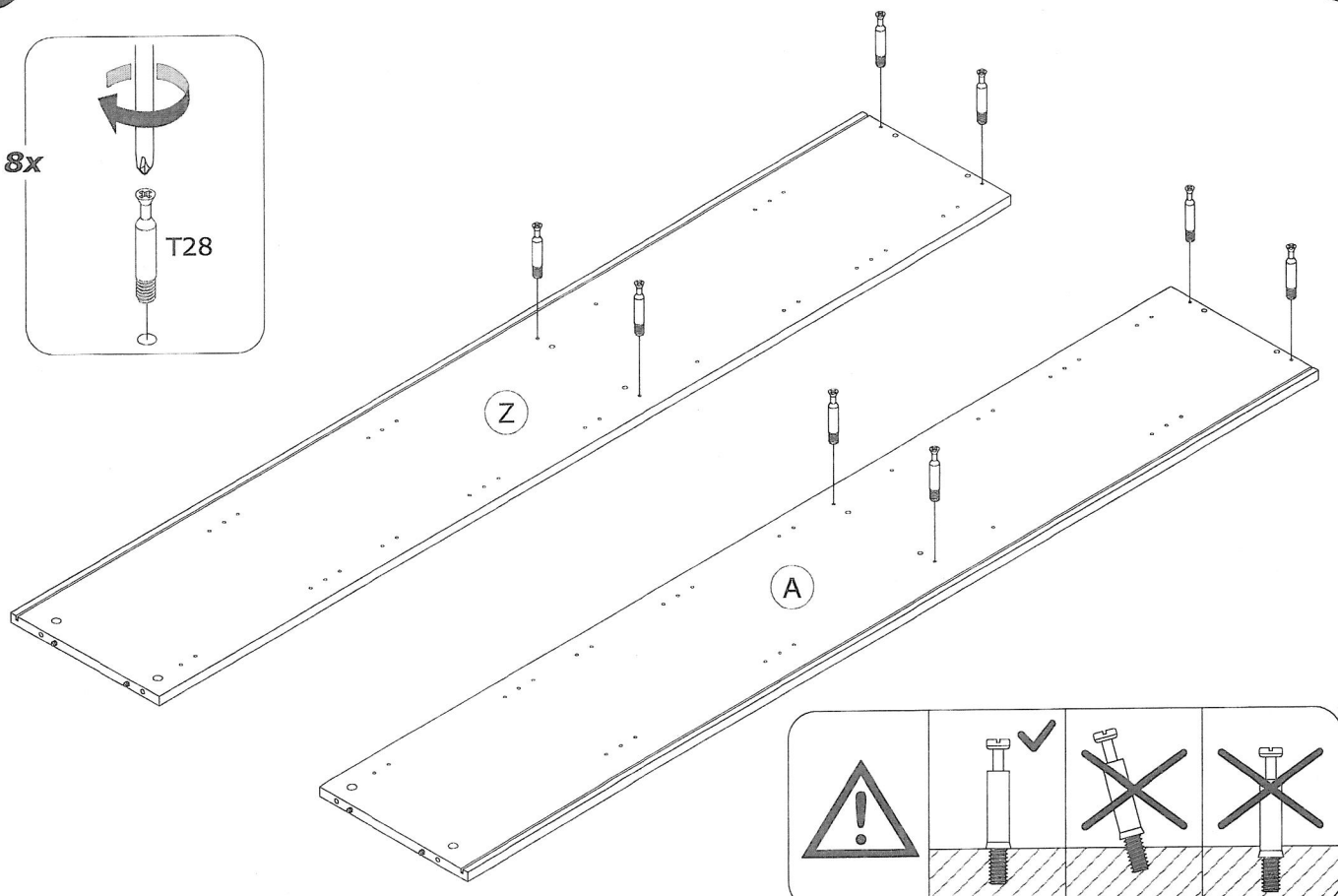
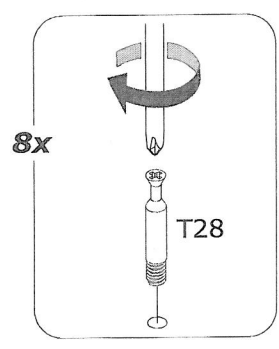
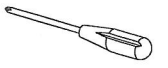
3



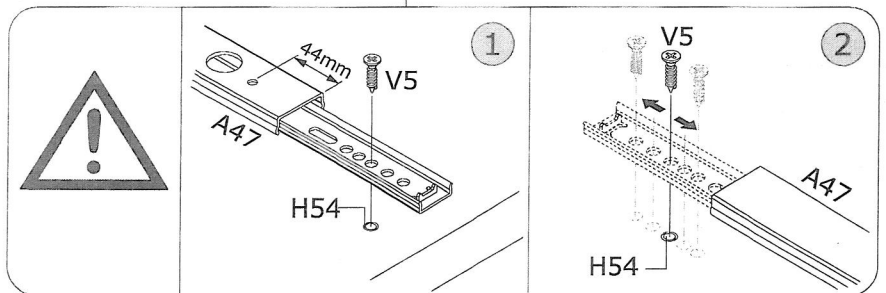
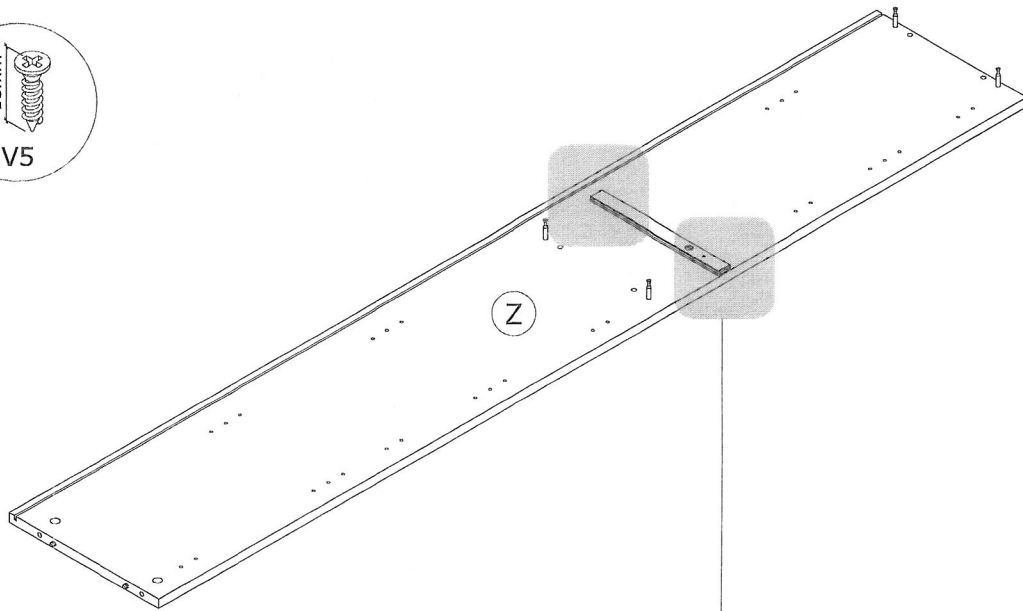
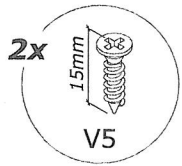
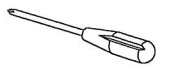
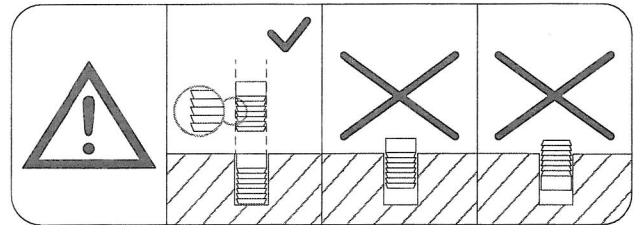
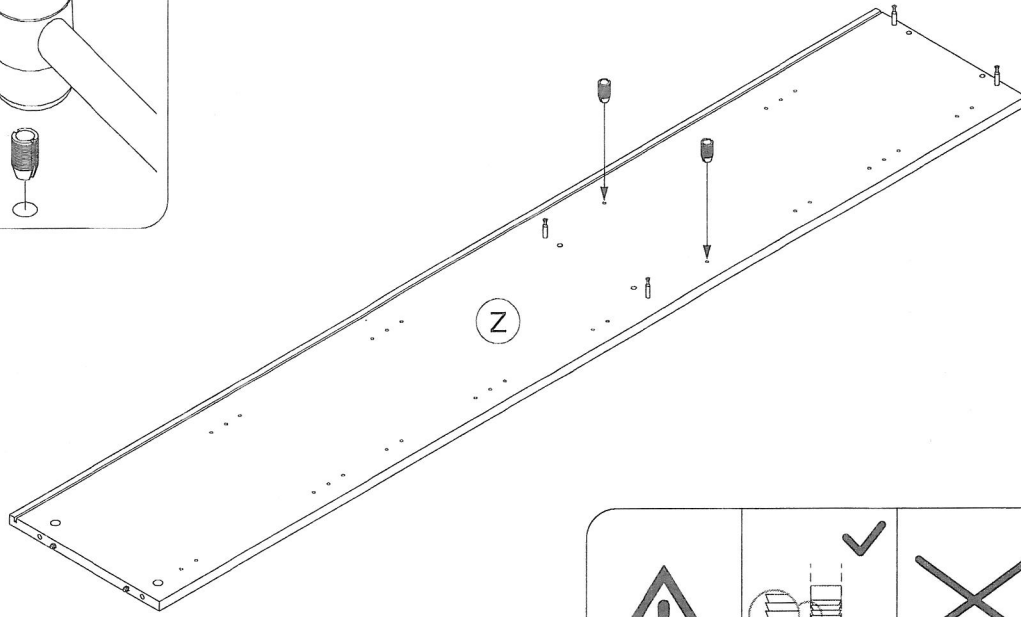
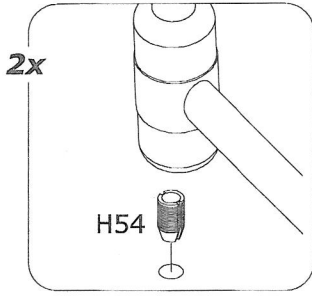
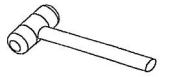
4



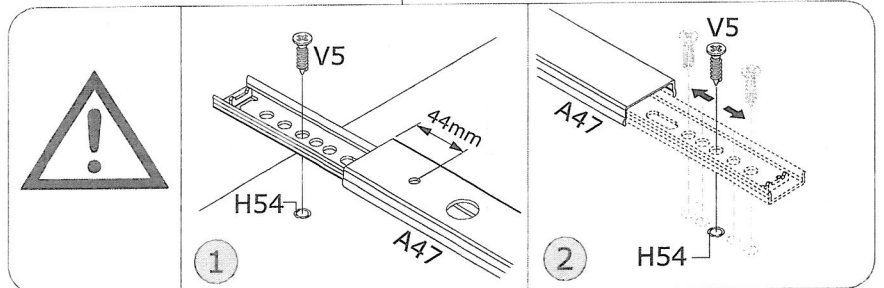
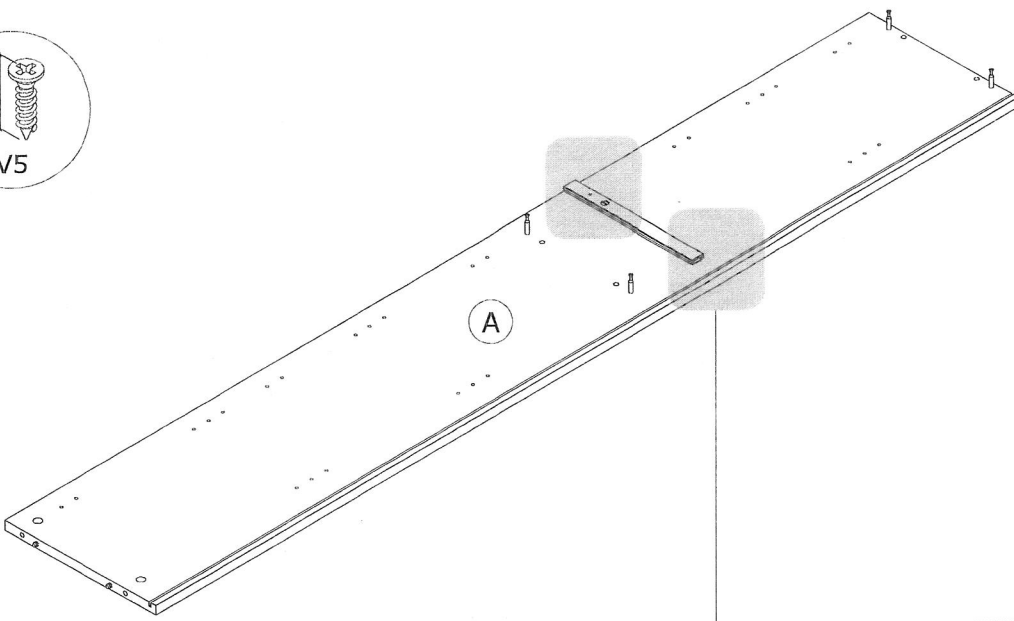
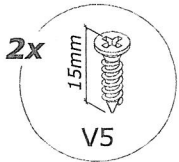
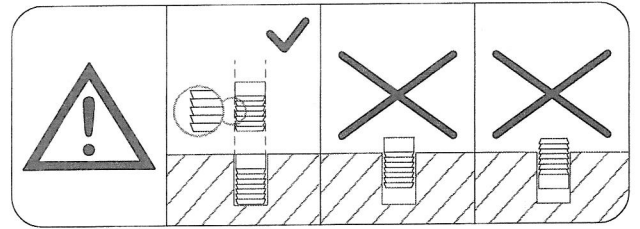
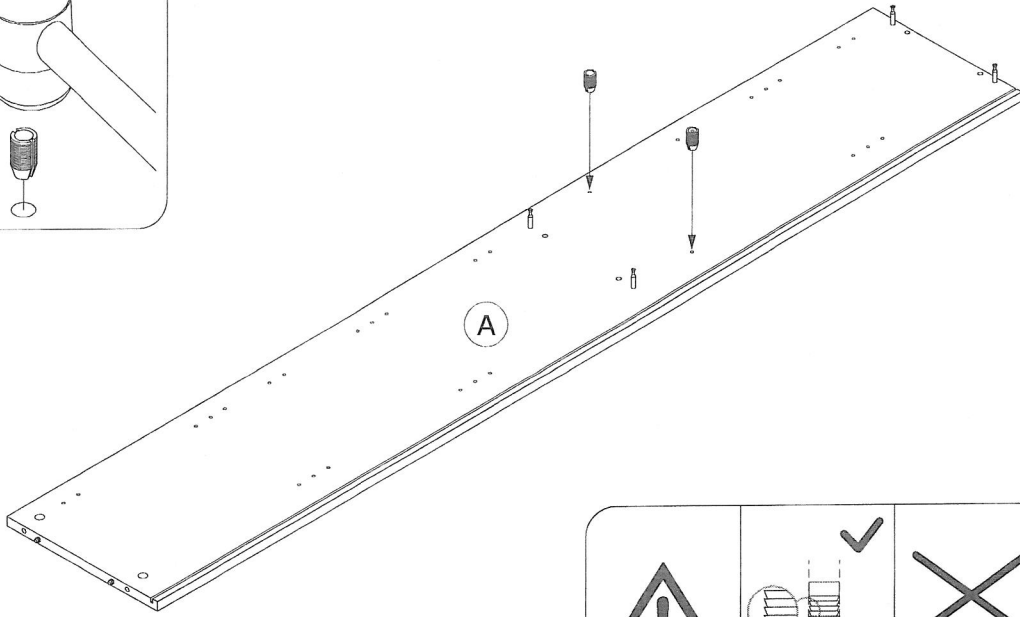
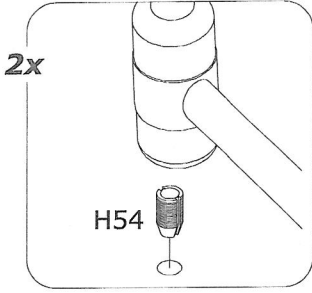
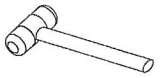
5



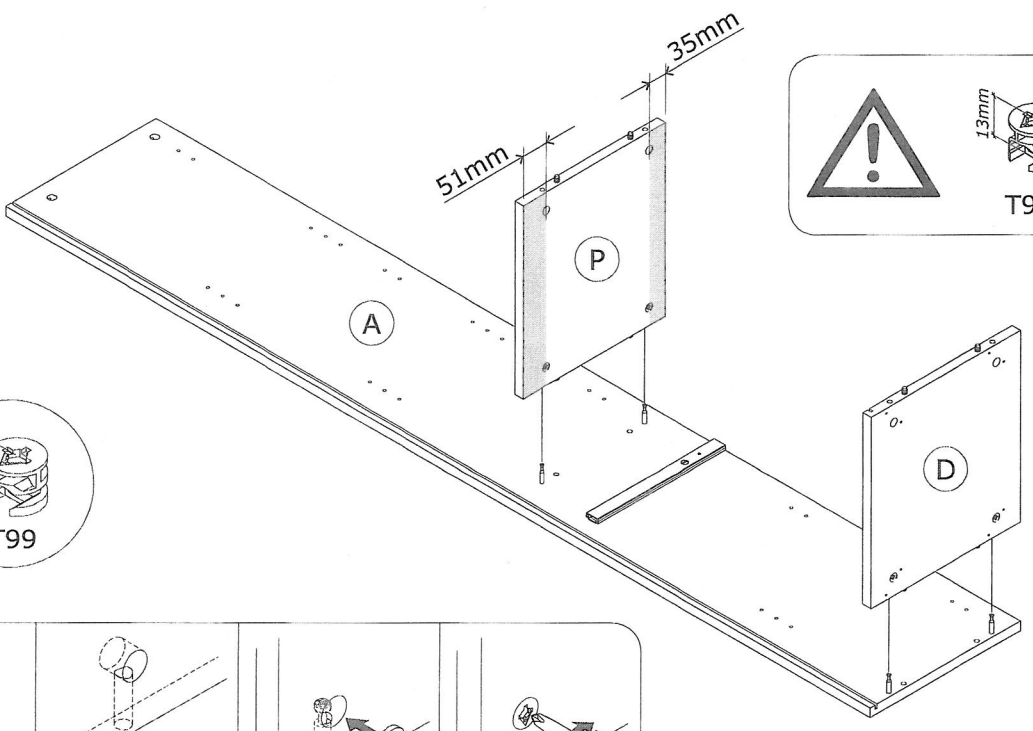
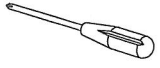
6



7



8



13mm

T99

10mm

T98

4x

13mm

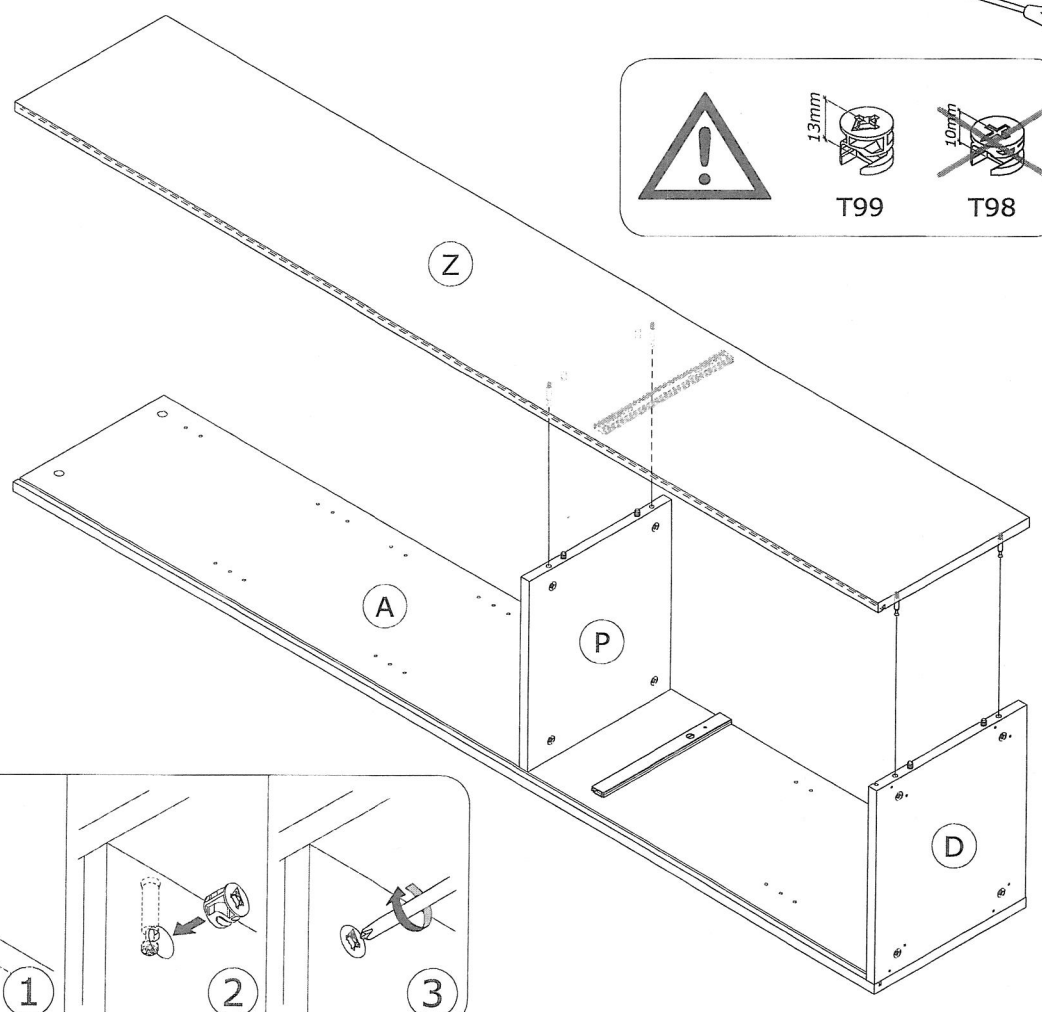
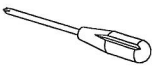
T99

1

2

3

9



13mm

T99

10mm

T98

4x

13mm

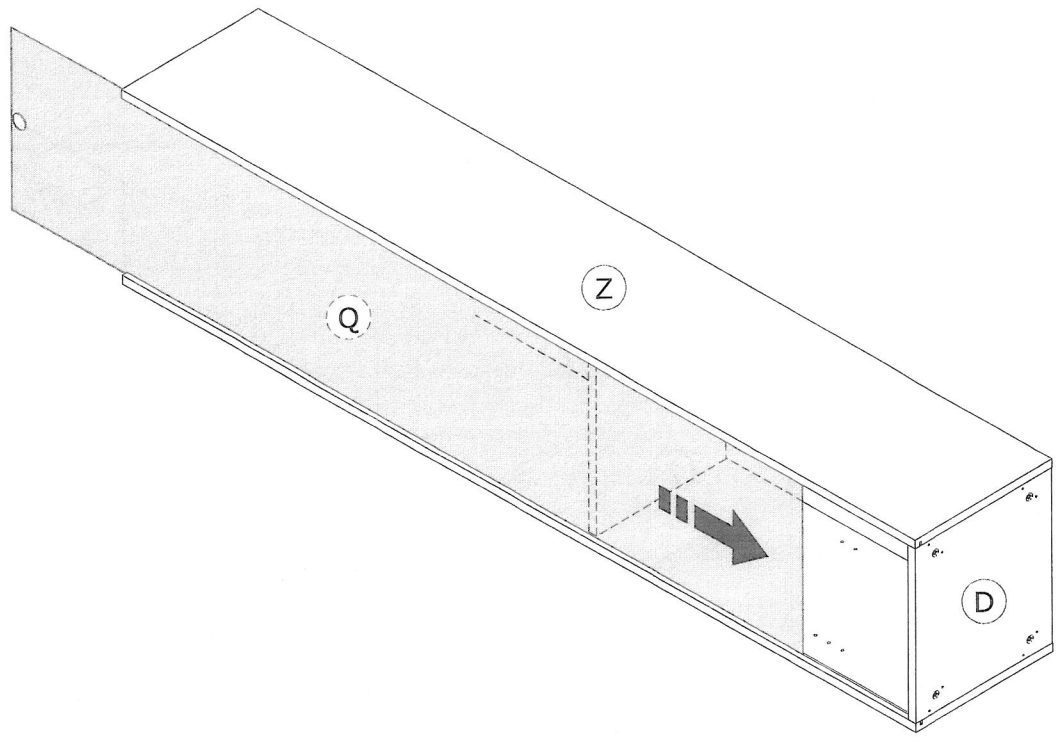
T99

1

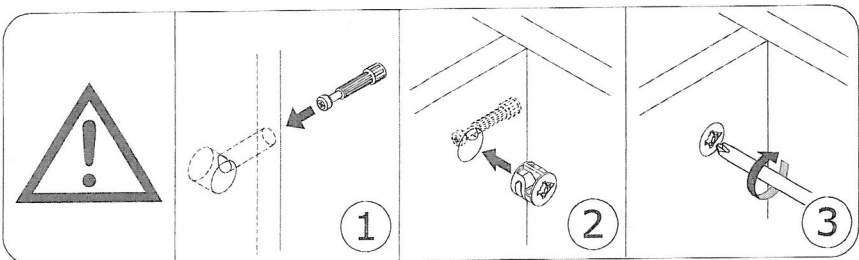
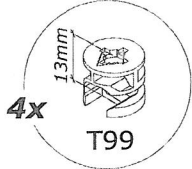
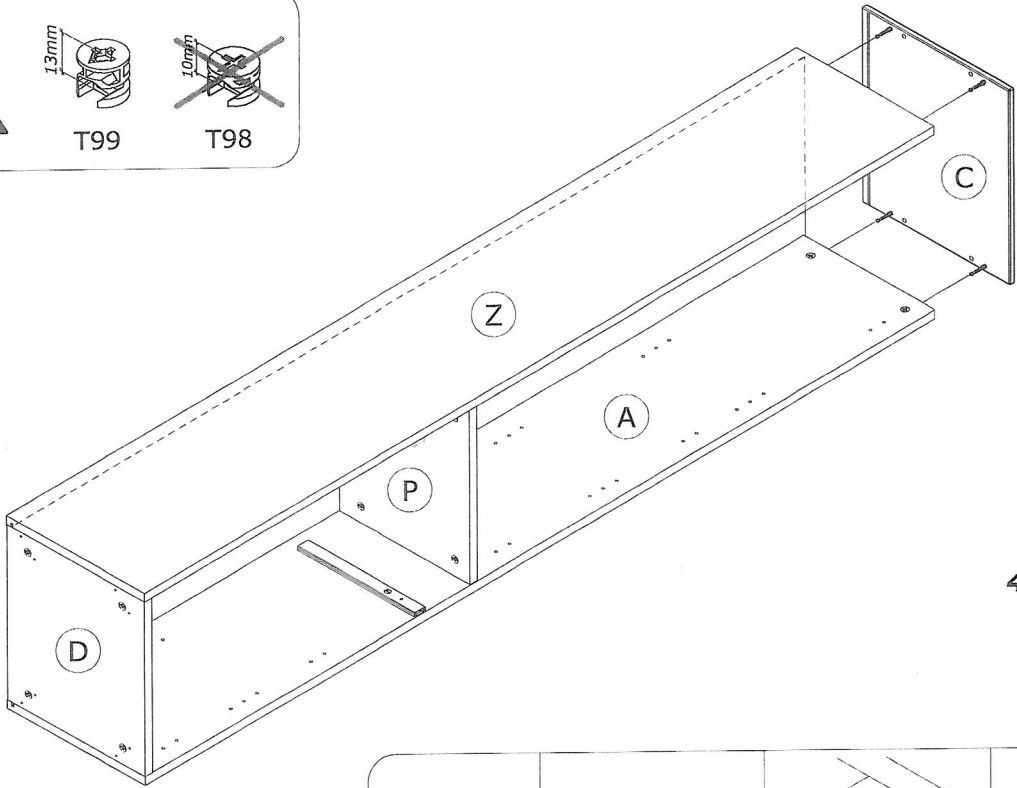
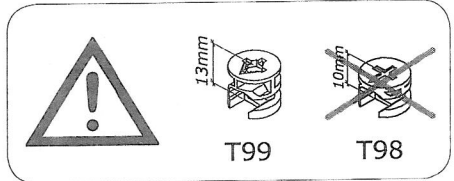
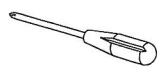
2

3

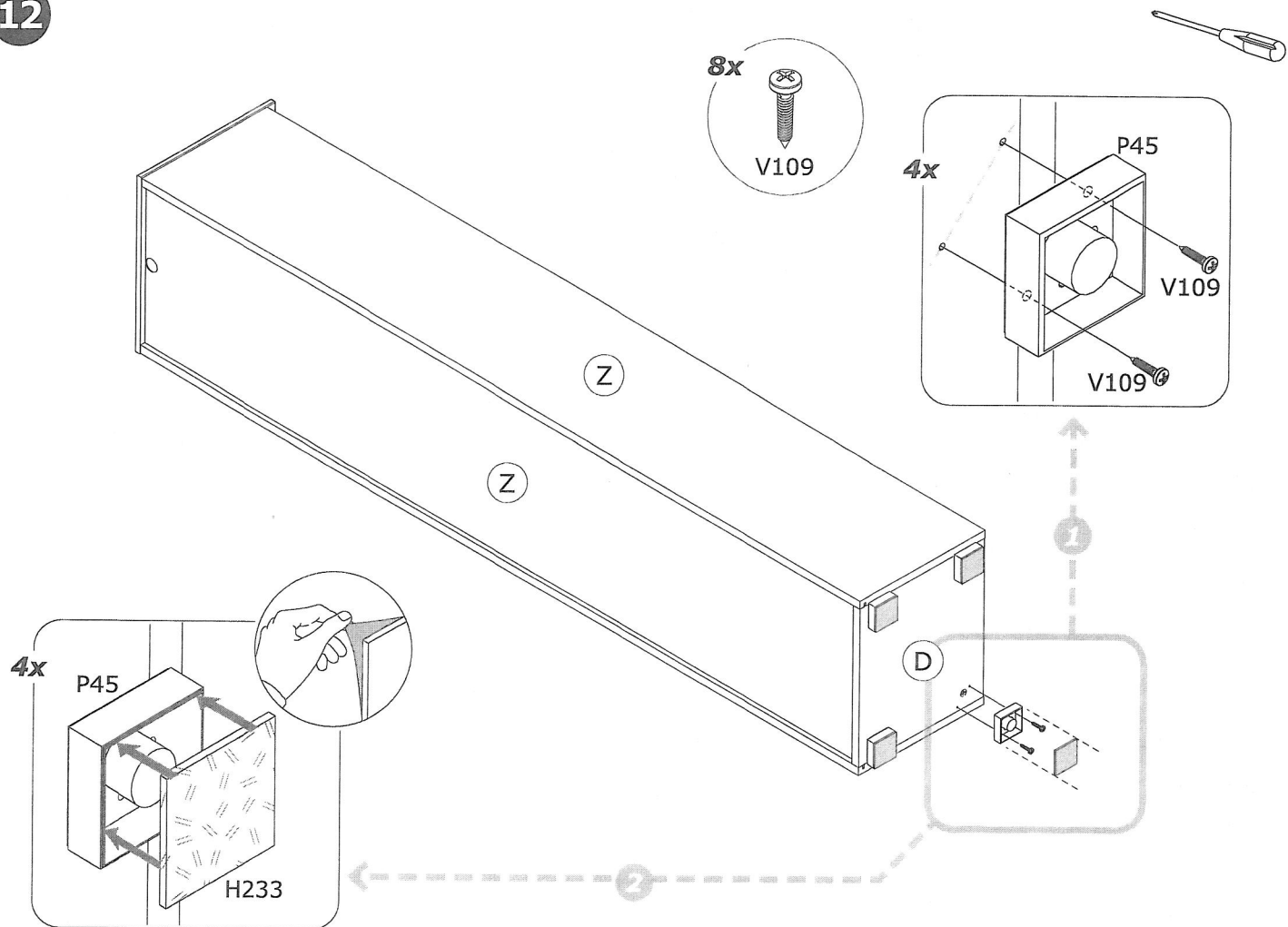
10



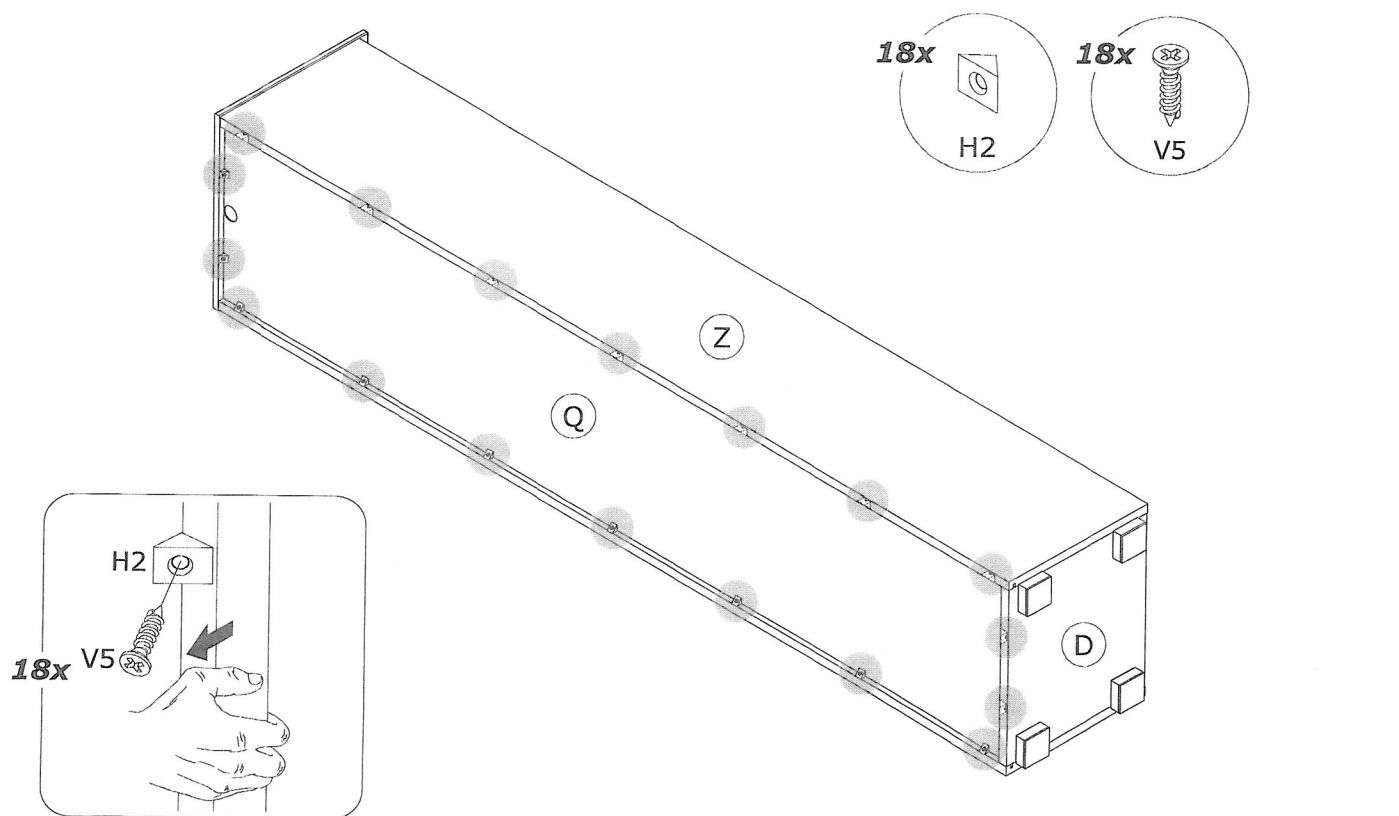
11



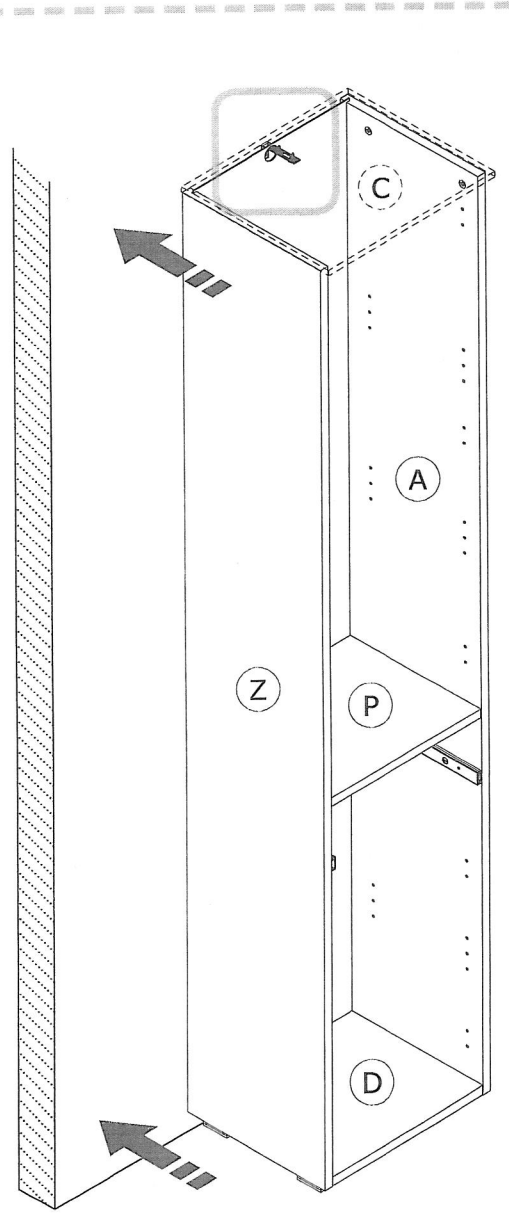
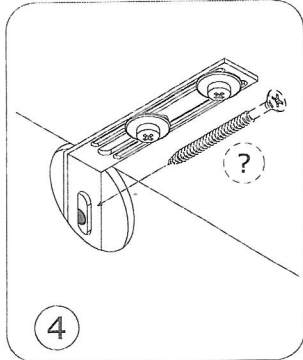
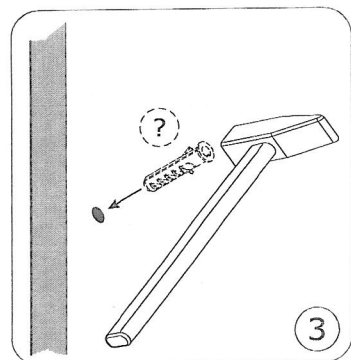
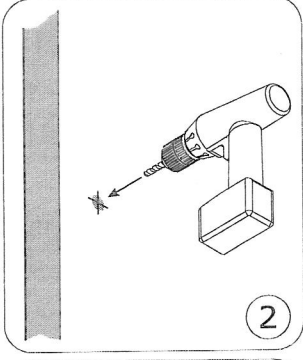
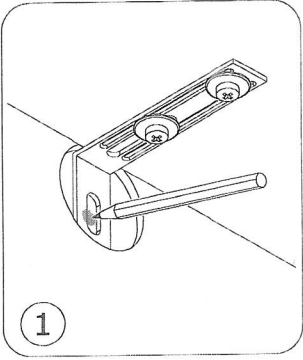
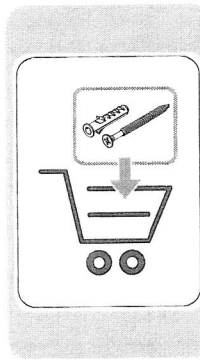
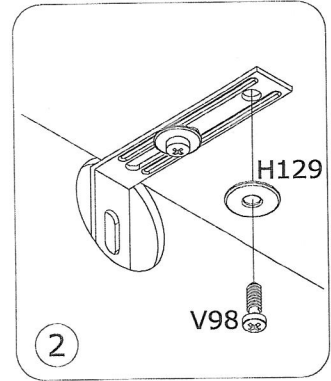
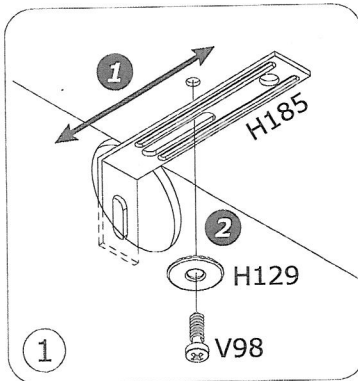
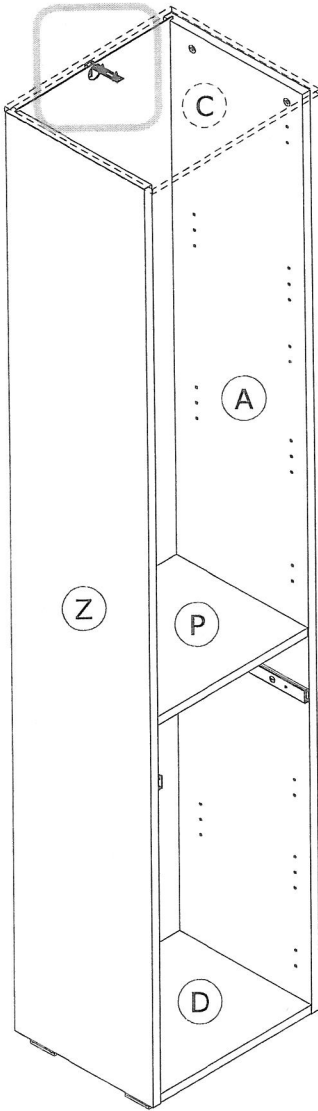
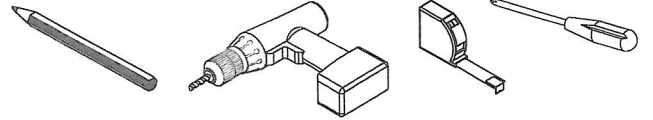
12

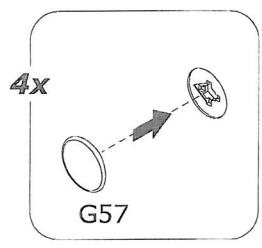
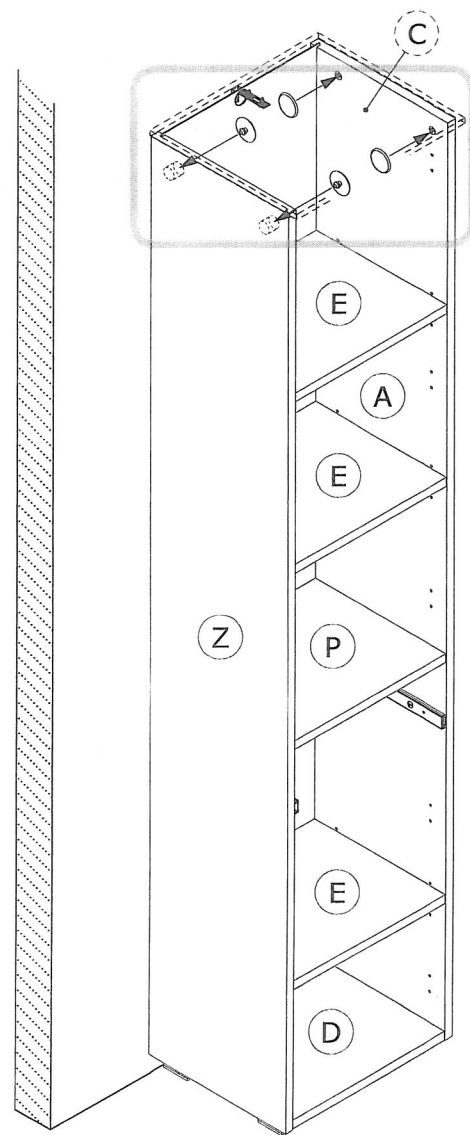
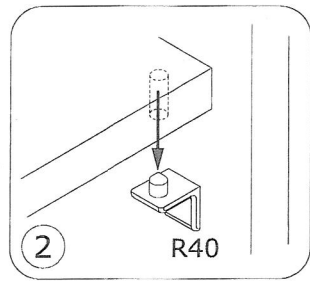
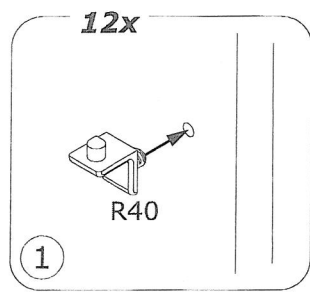
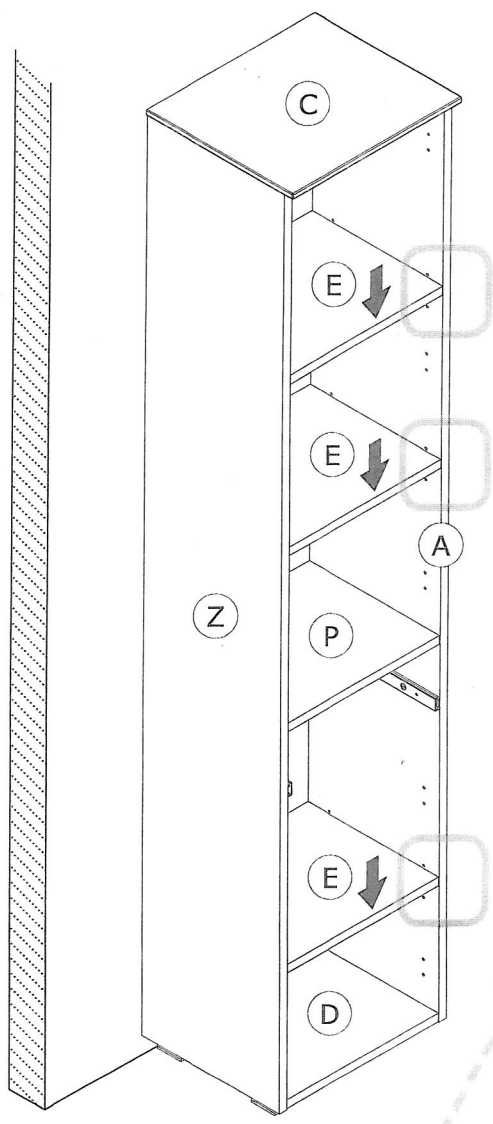
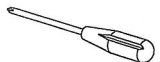


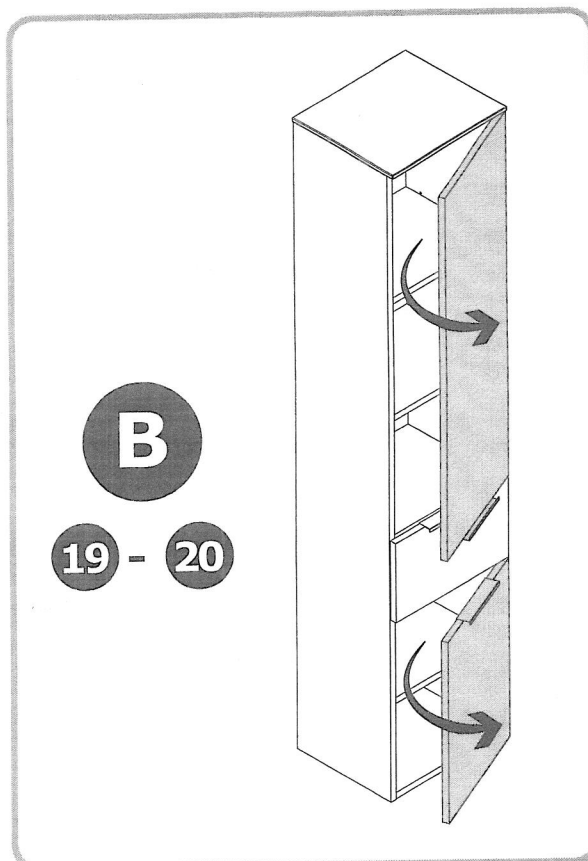
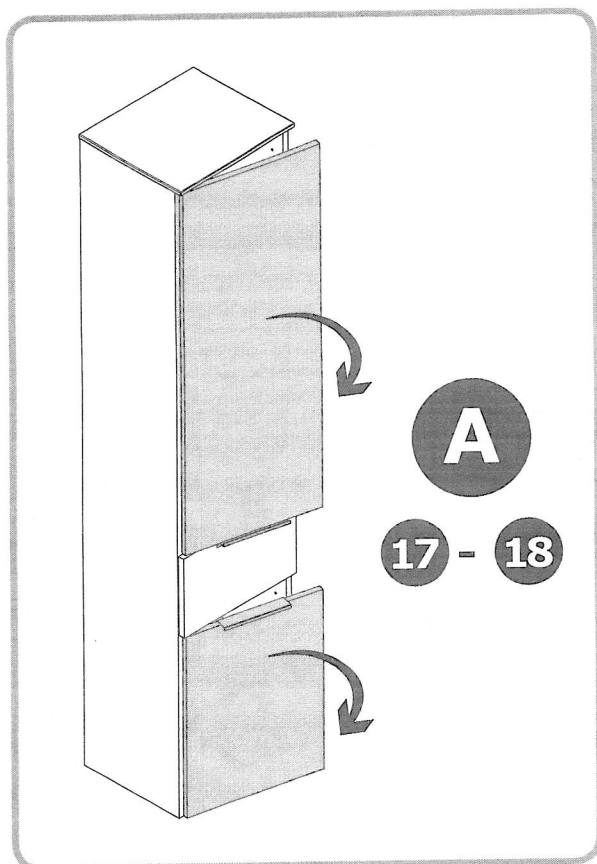
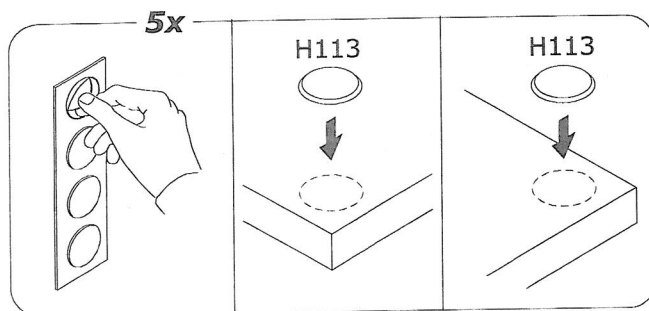
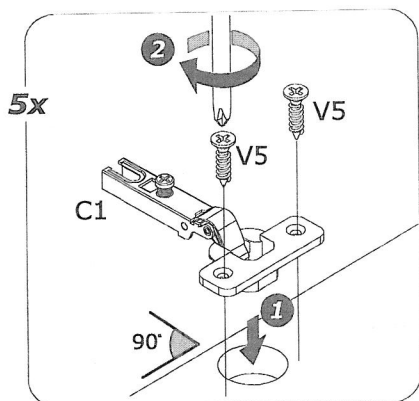
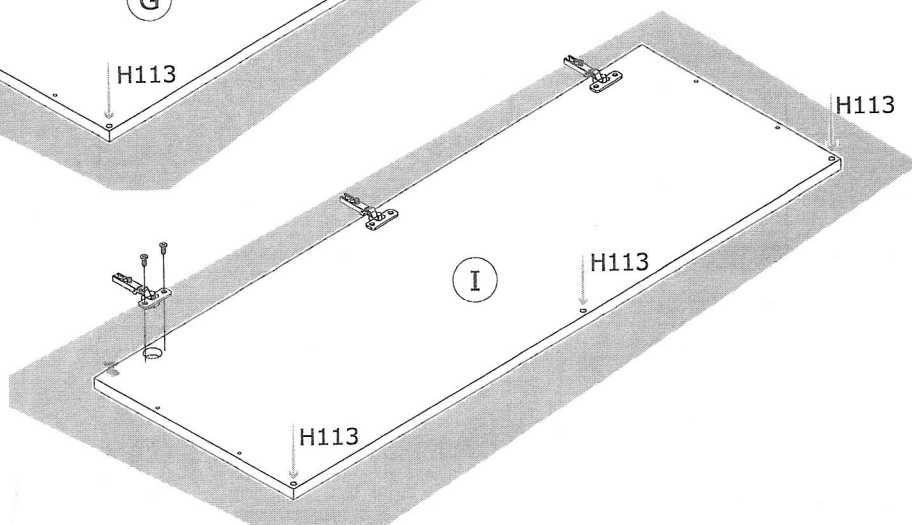
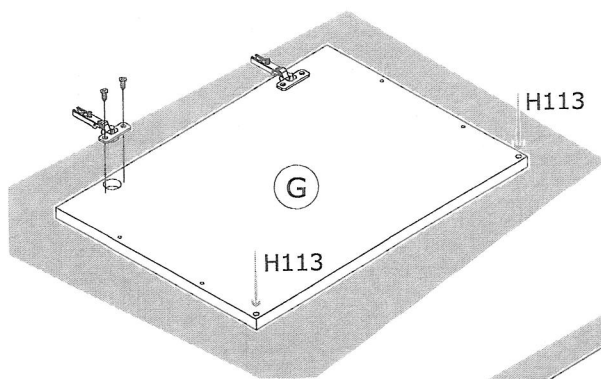
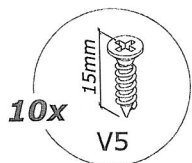
13

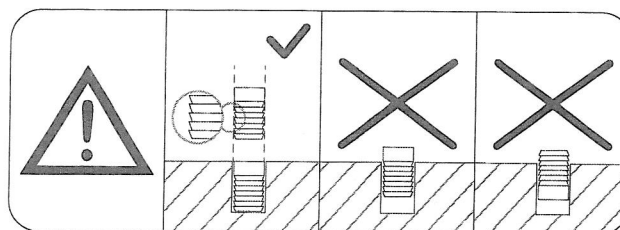
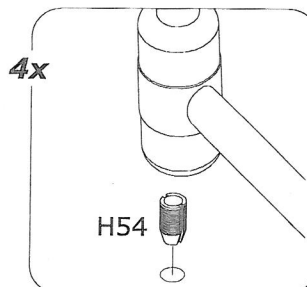
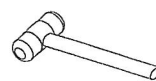
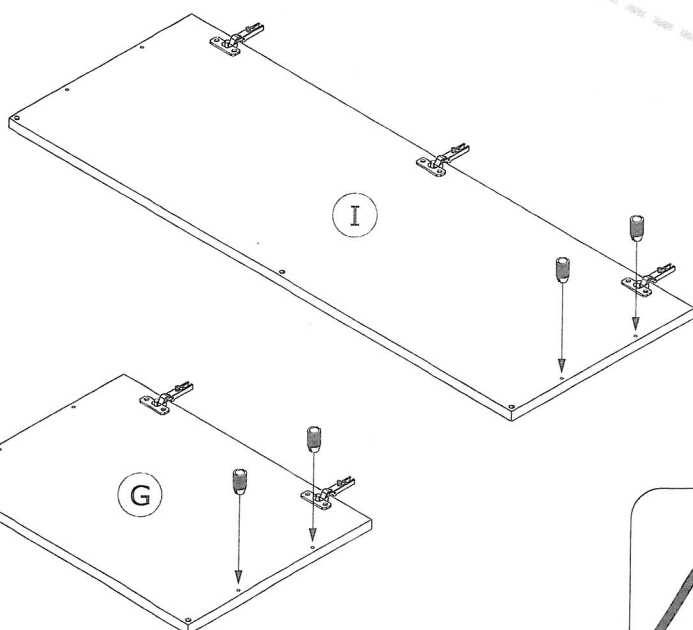
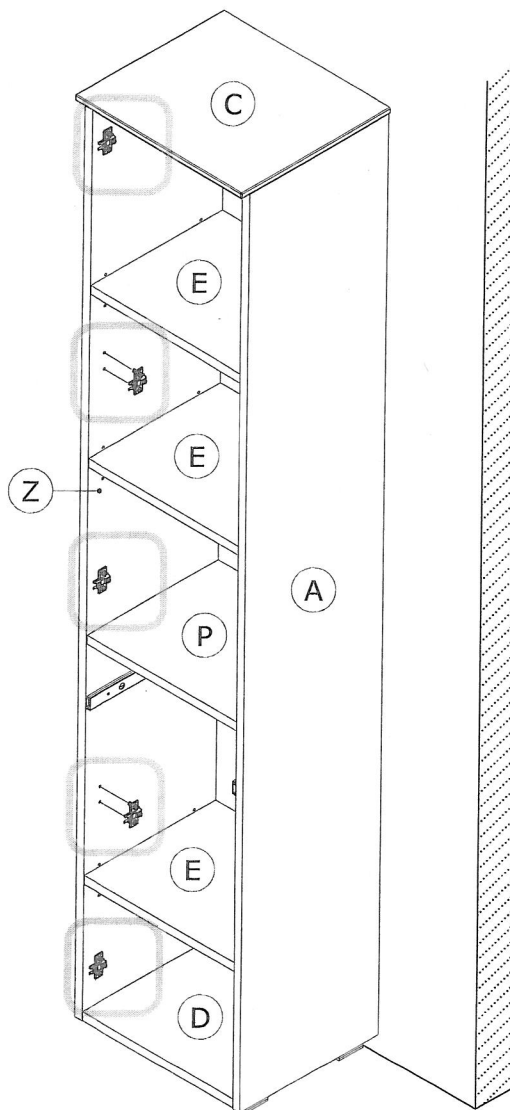
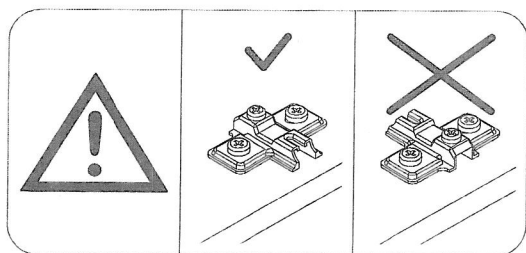
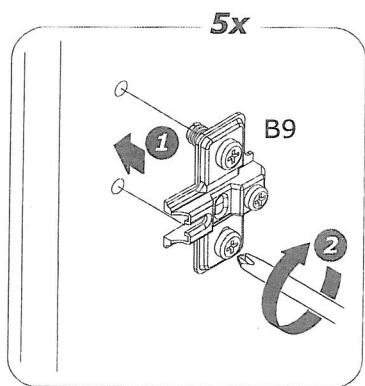


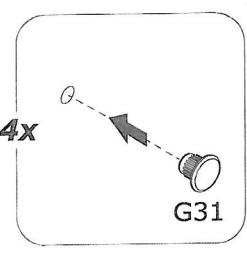
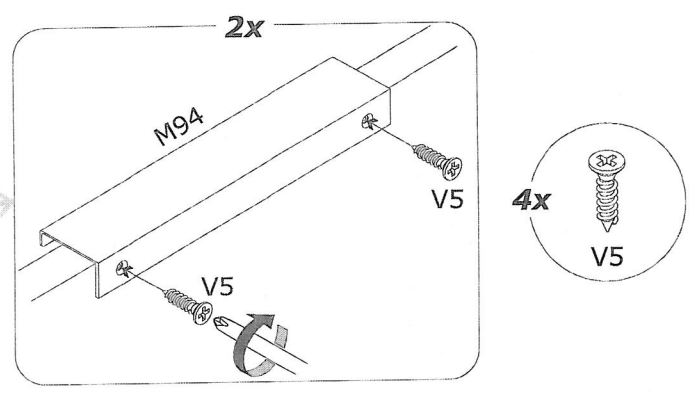
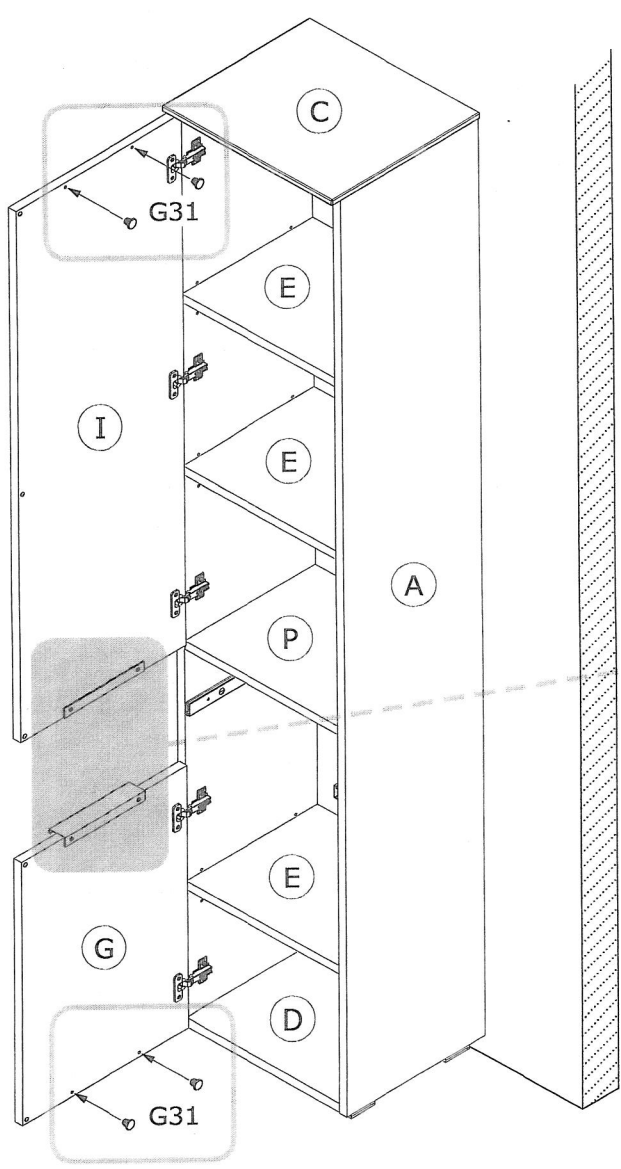
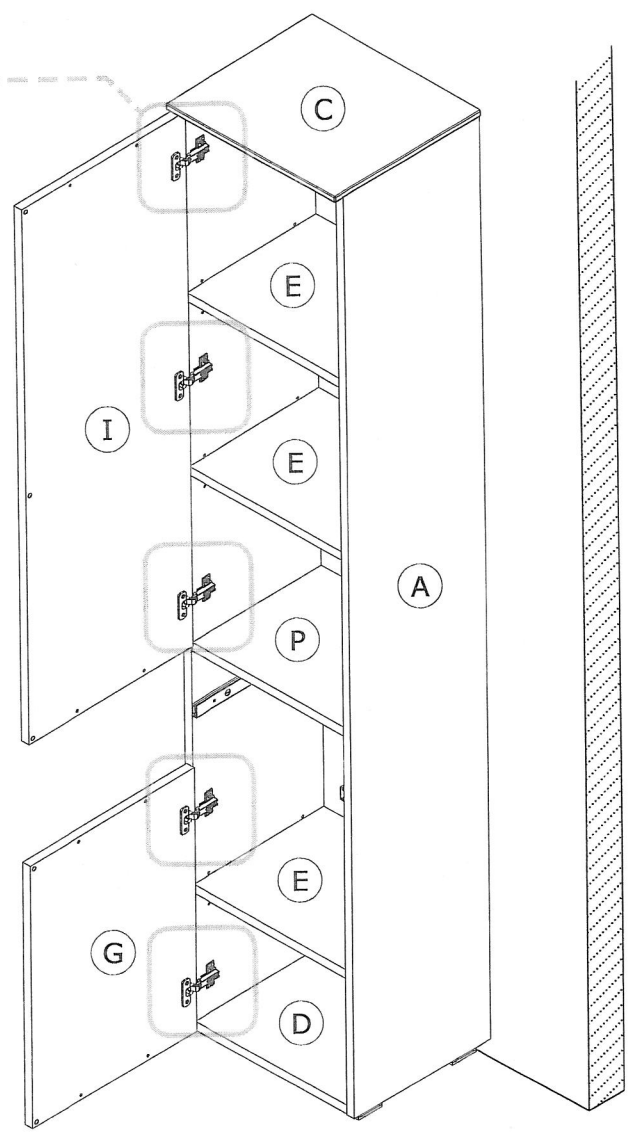
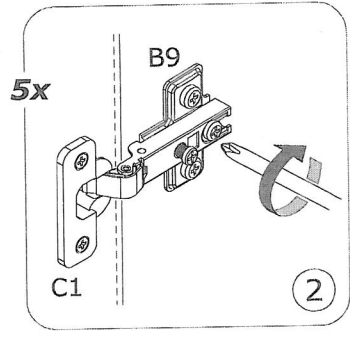
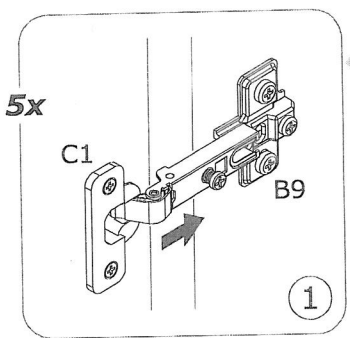
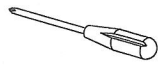
14

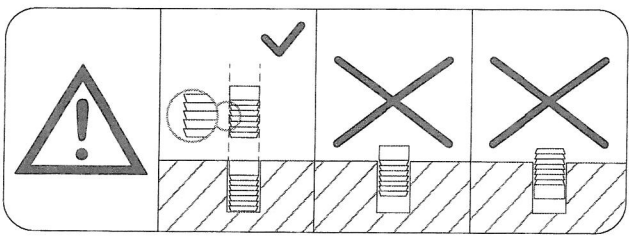
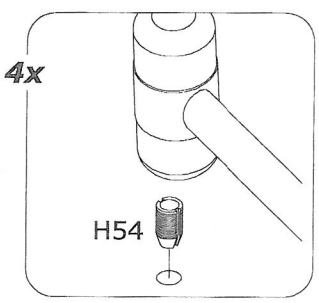
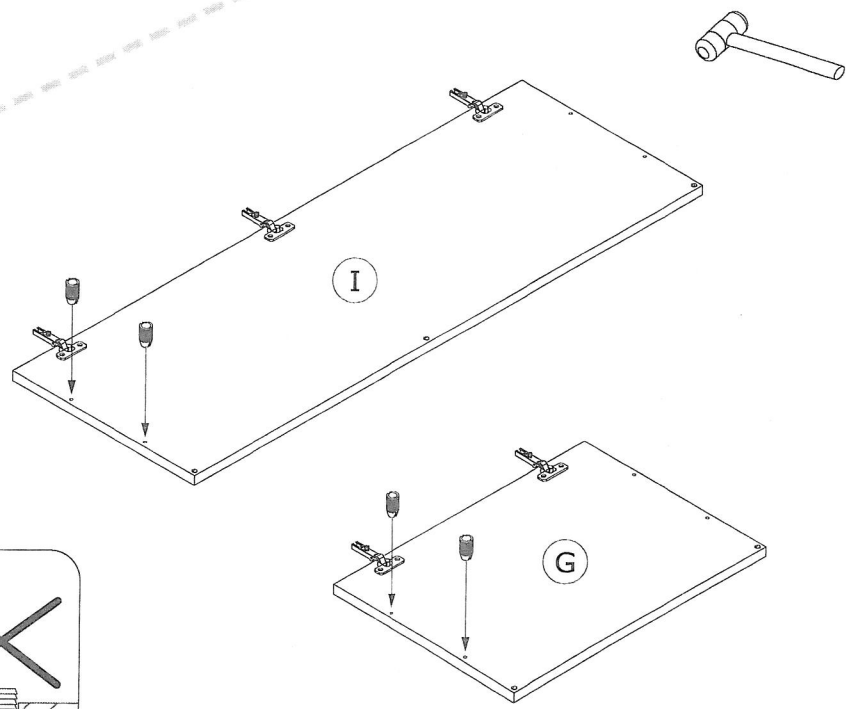
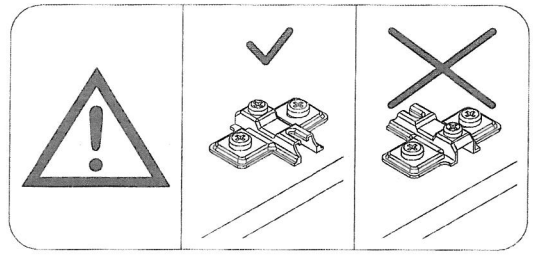
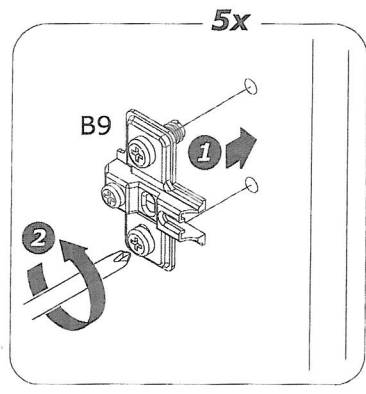
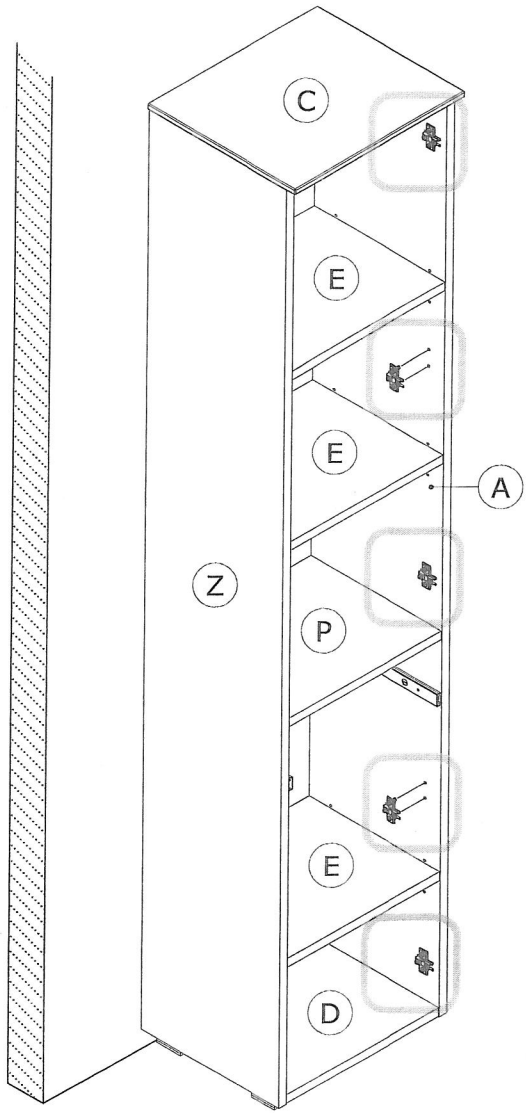
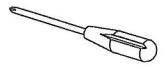


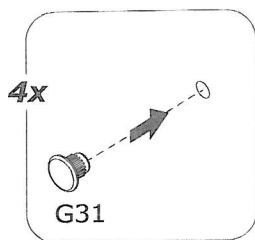
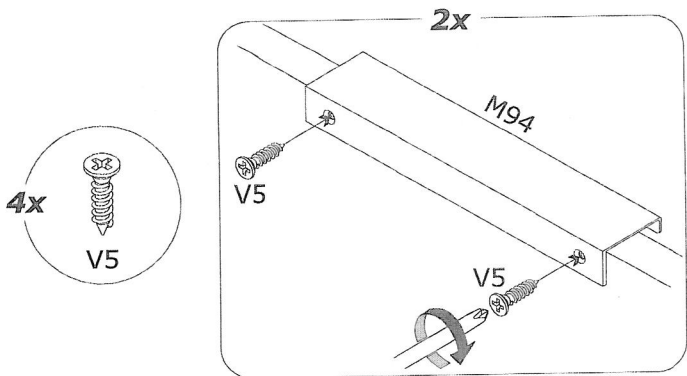
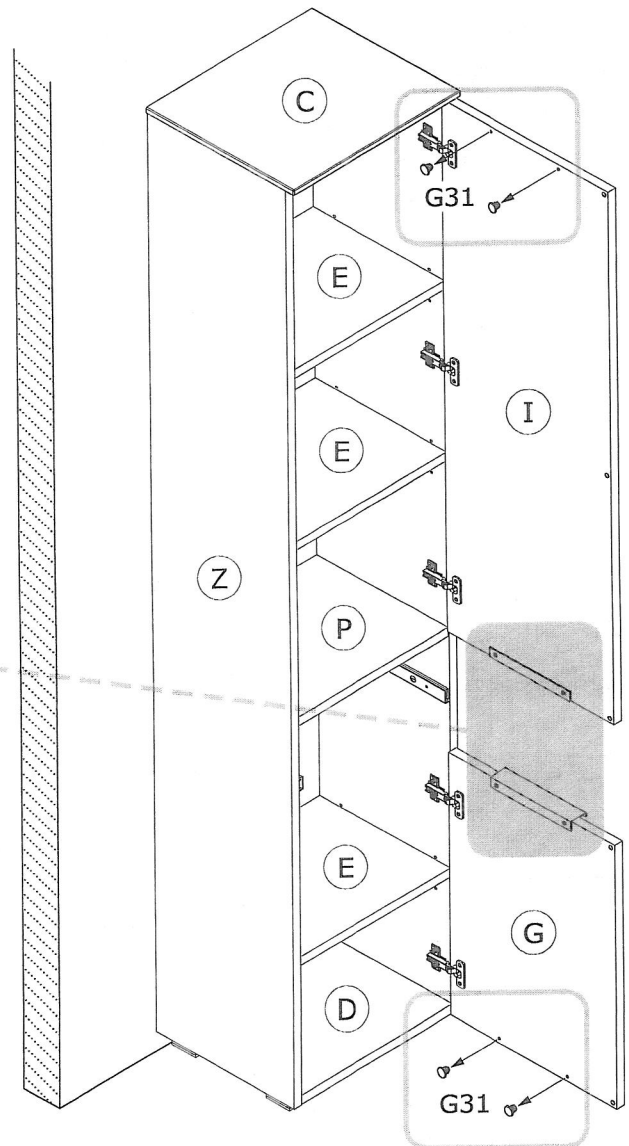
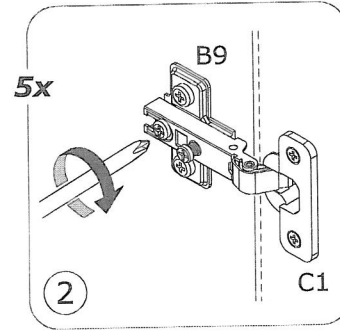
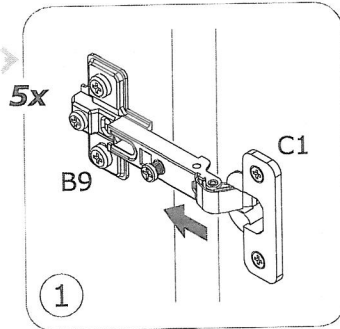
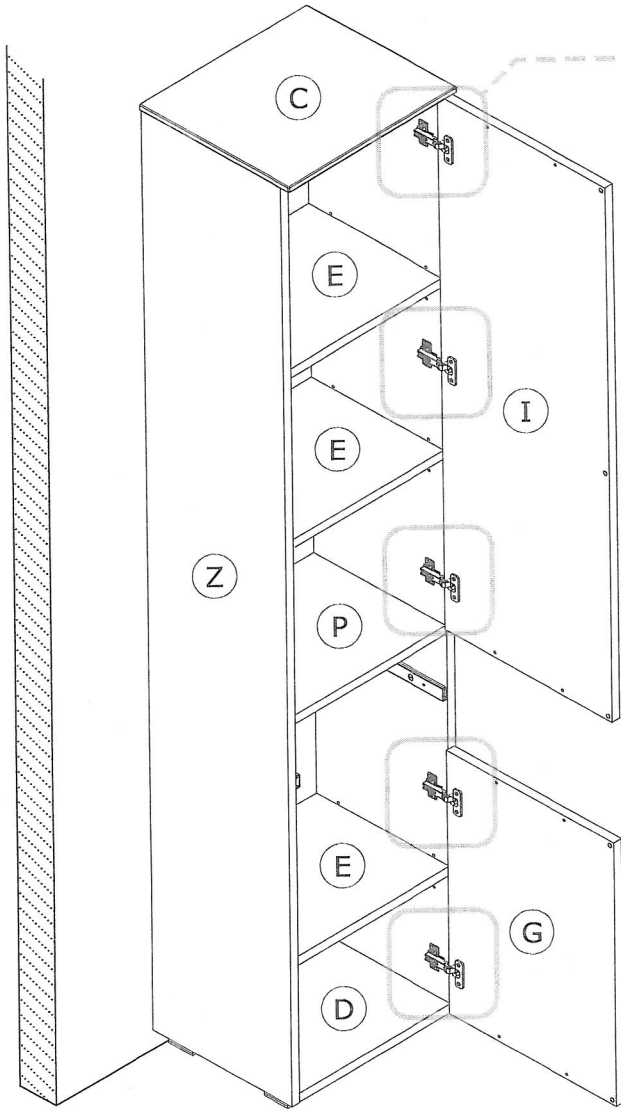
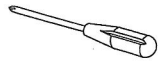


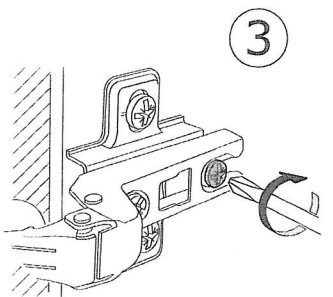
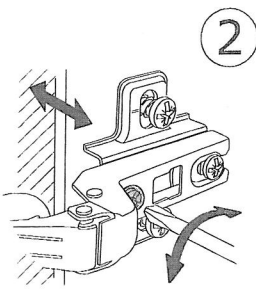
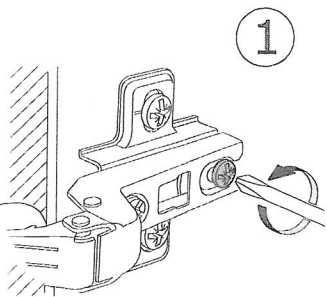
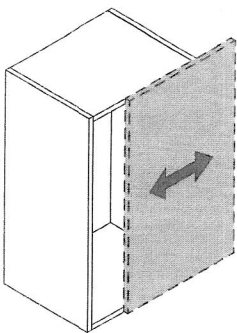
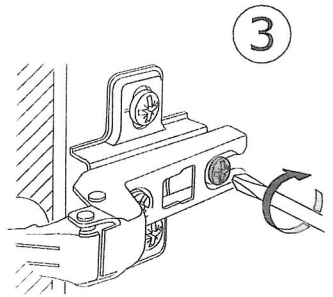
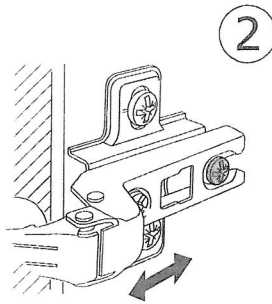
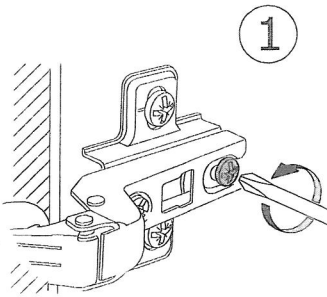
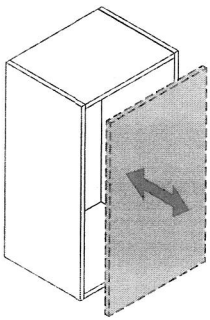
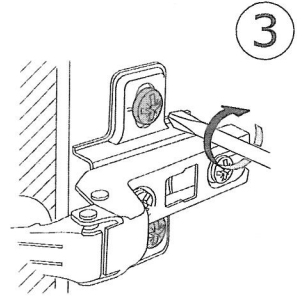
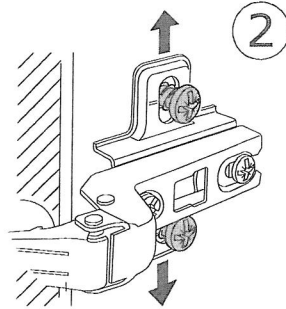
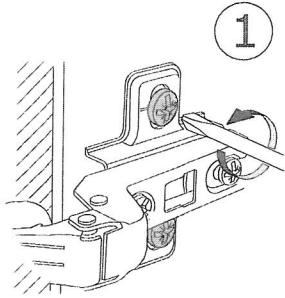
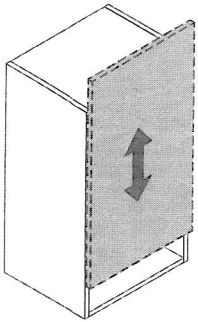
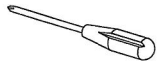




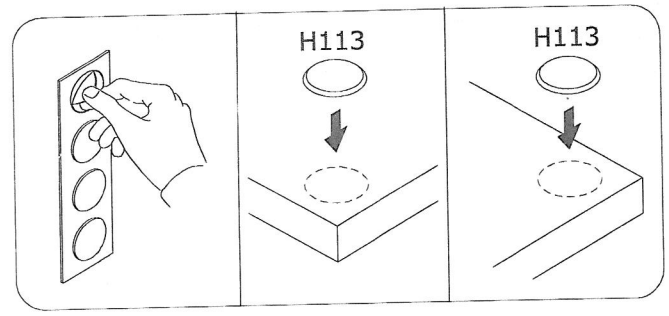
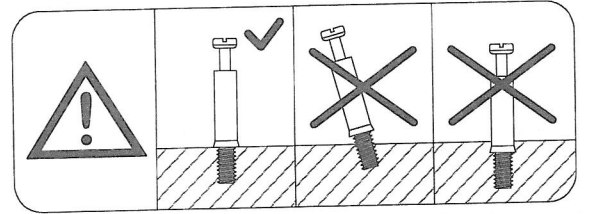
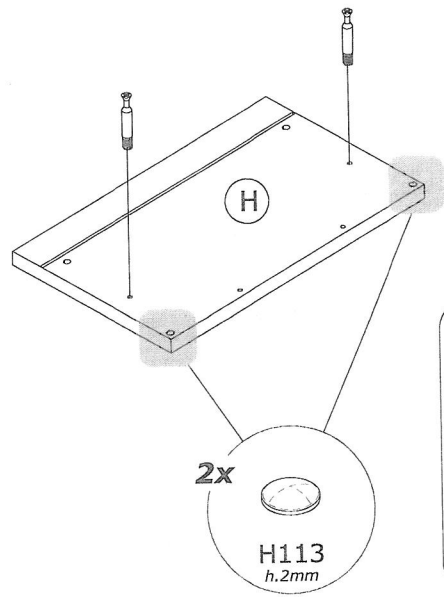
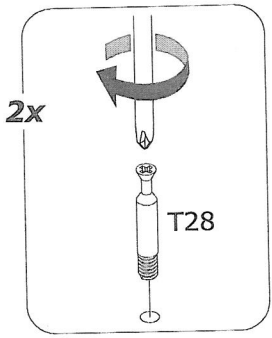
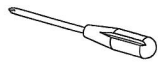




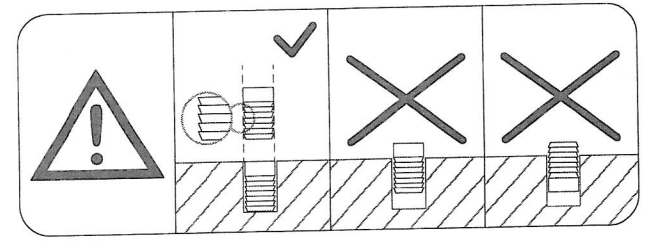
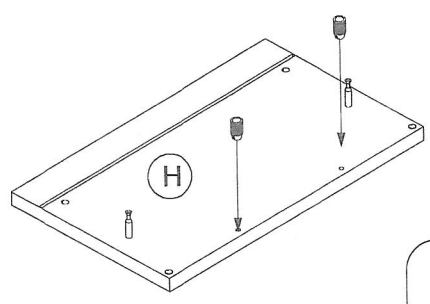
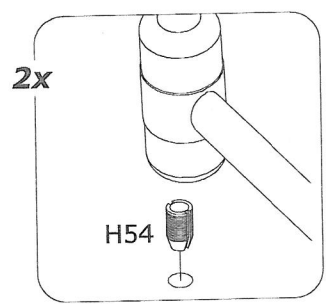
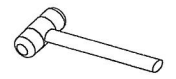




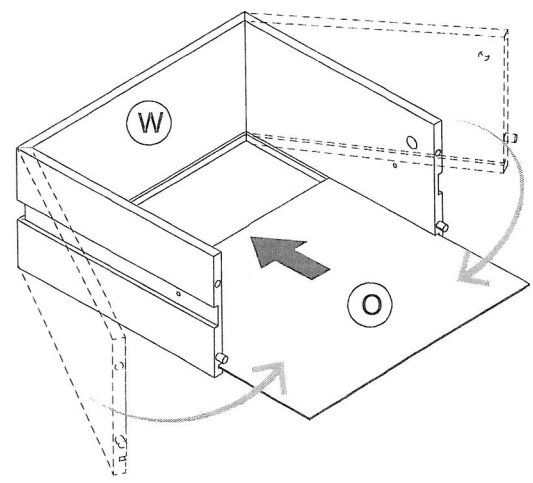
22 A + B



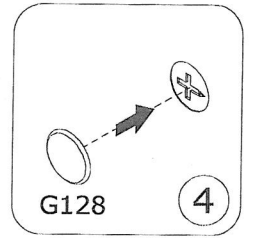
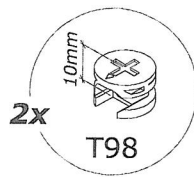
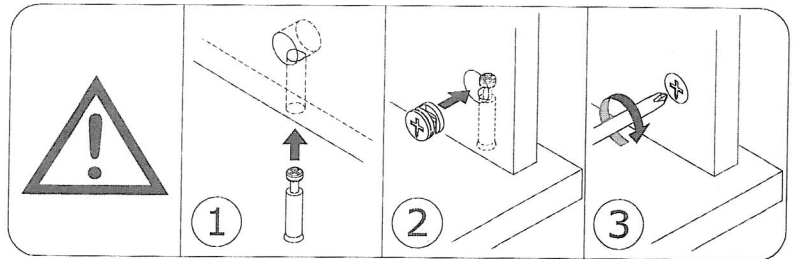
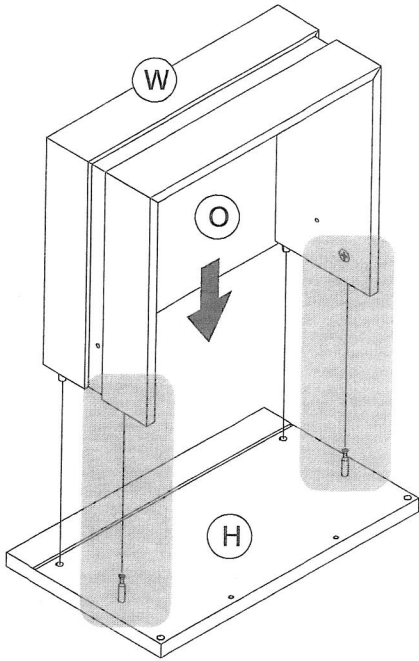
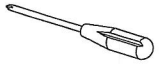
23 A + B



24 A + B



25 A + B



26 A + B

