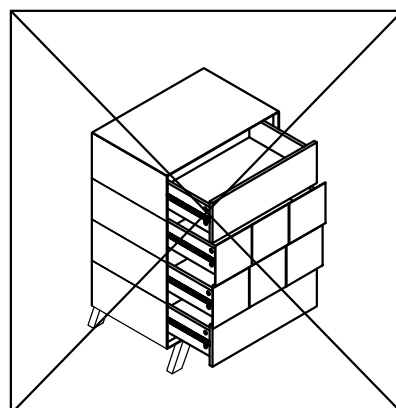
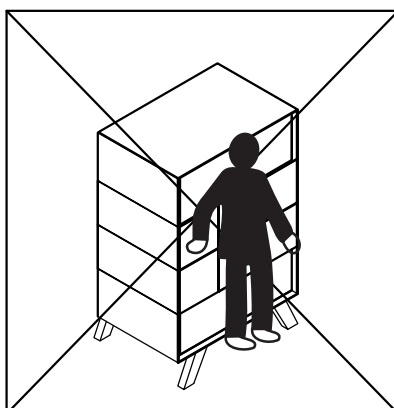
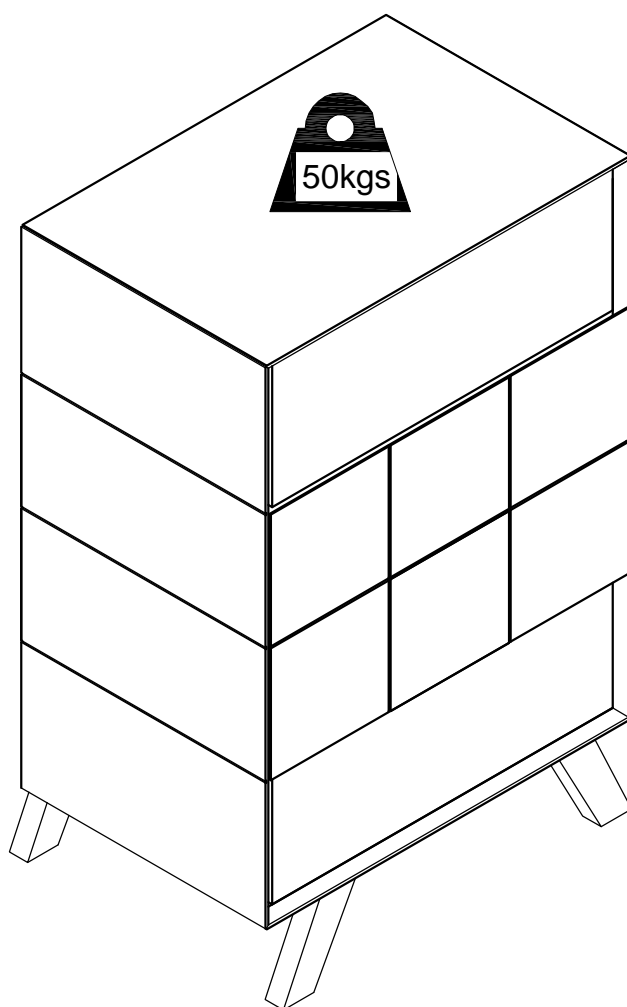
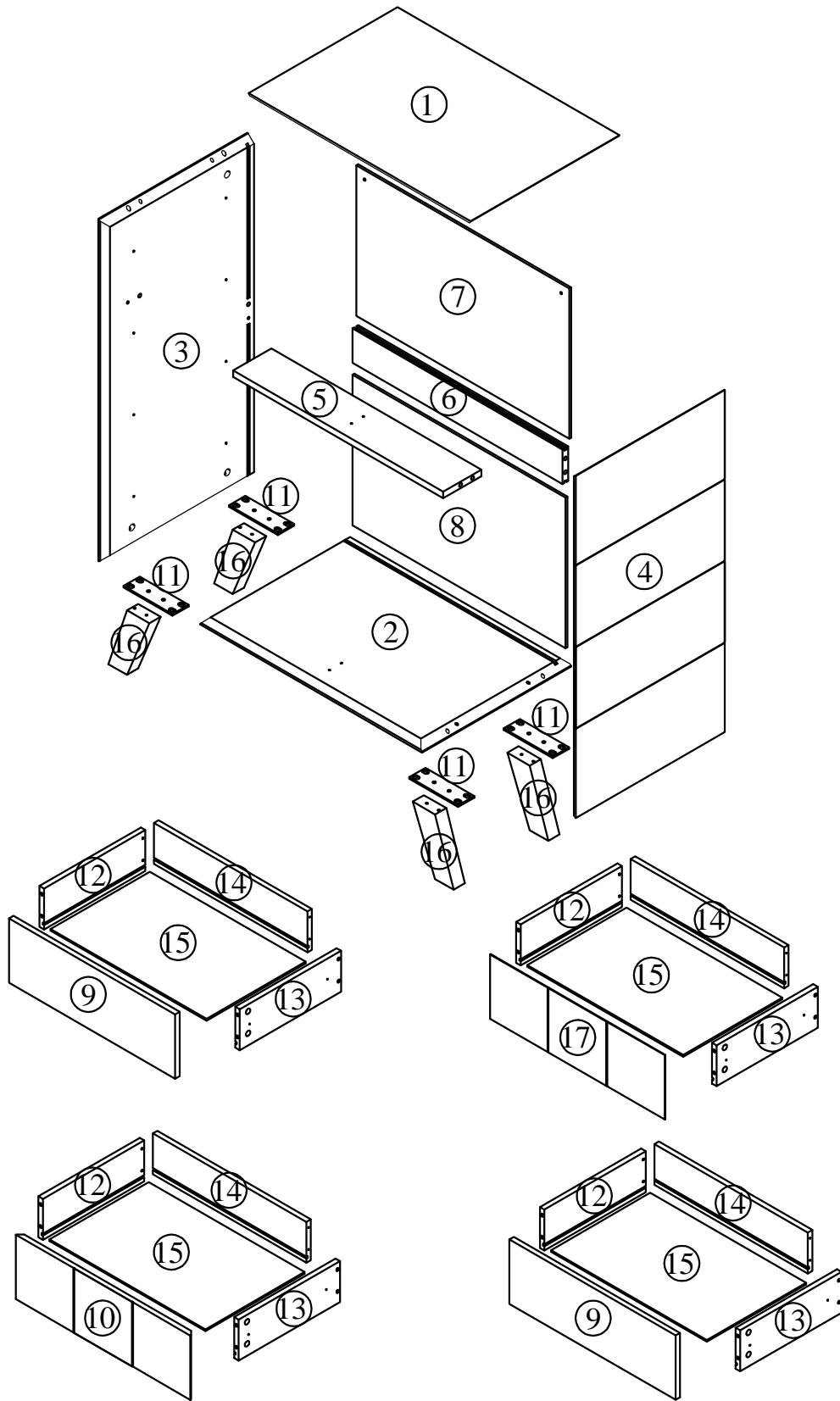


# Assemble instruction

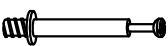
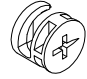






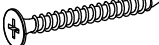



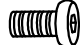
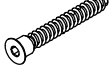
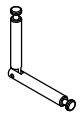
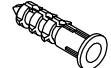




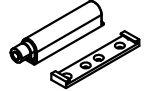
27980017/07

## CASPER

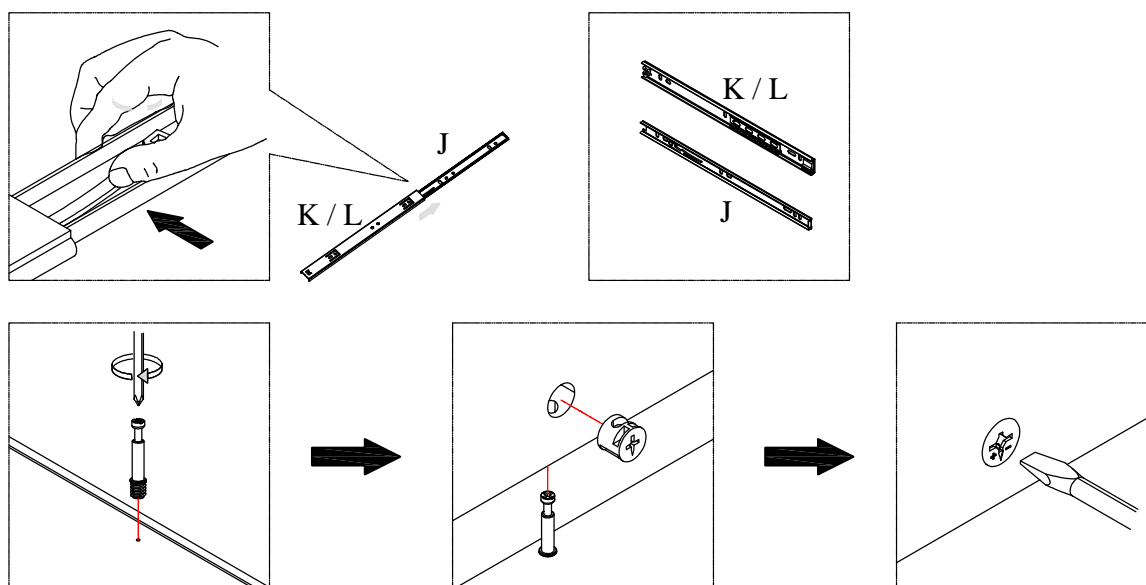




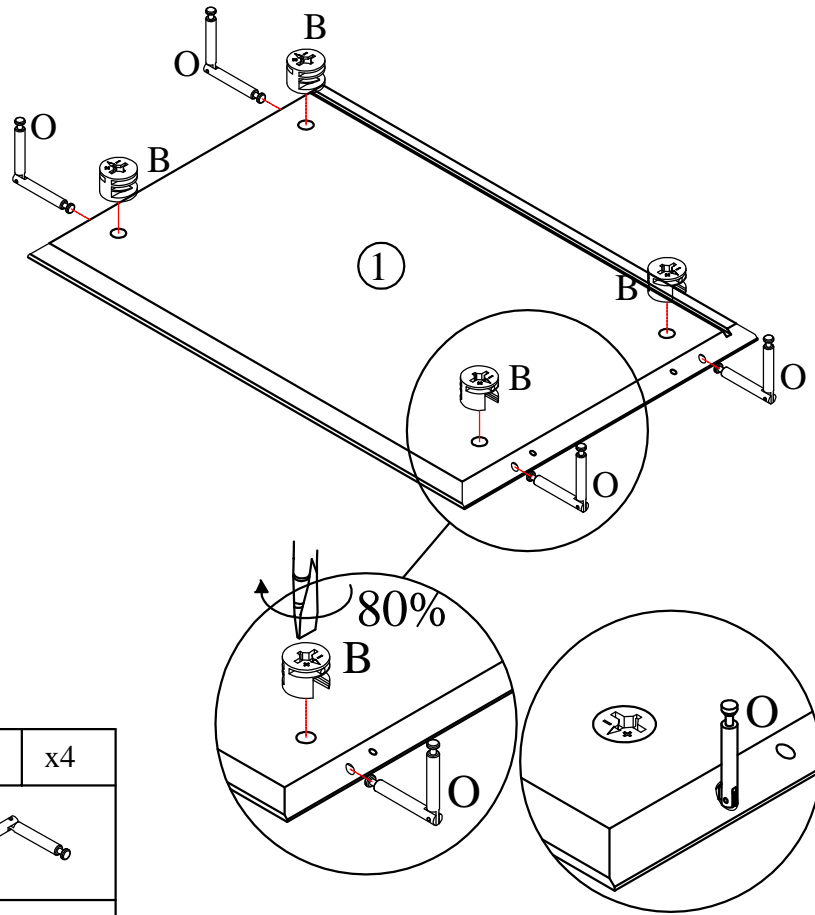
<p>2 PERSONEN</p>	<p>60MIN</p>		
-------------------	--------------	--	--

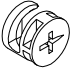
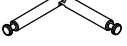
A	x20	B	x36	C	x8	D	x4	E	x8	F	x62	G	x1
													
6x35mm		Ø15x12mm		6x30mm		8x30mm				3.5x14mm		M3	
H	x1	I	x16	J	x8	K	x4	L	x4	M	x16	N	x8
													
M4		4x30mm		340mm		340mm		340mm		M6x15mm		5x30mm	
O	x8	P	x2	Q	x2	R	x2	S	x16	T	x2	U	x2
													
		6x30mm		Ø20x12mm		4x60mm							

## Assembly details

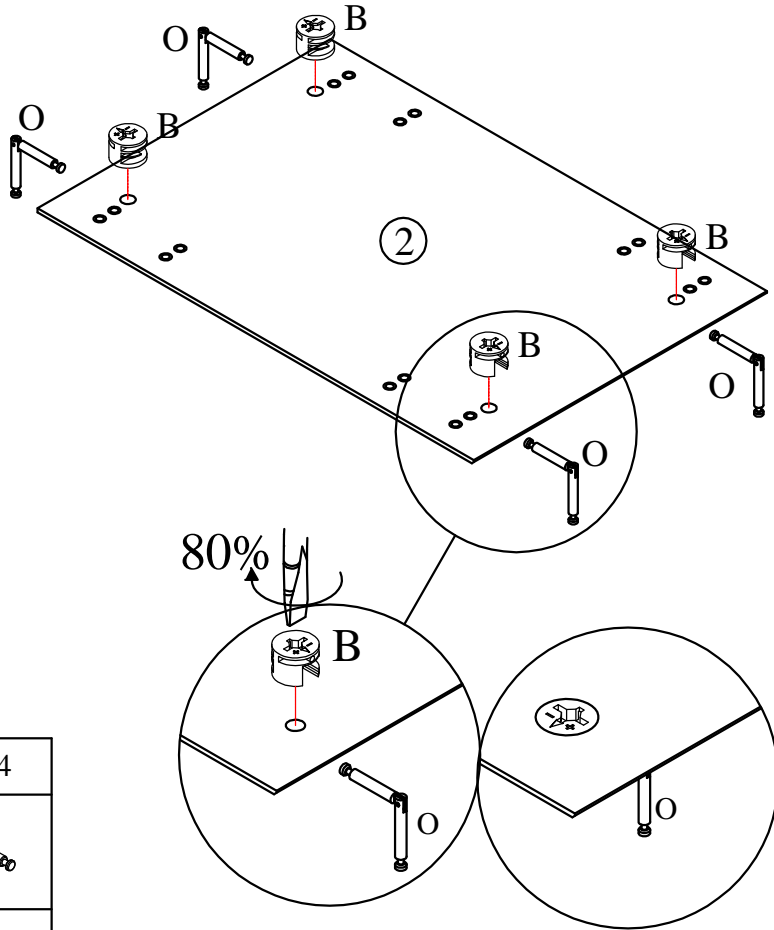


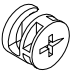
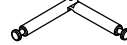
1



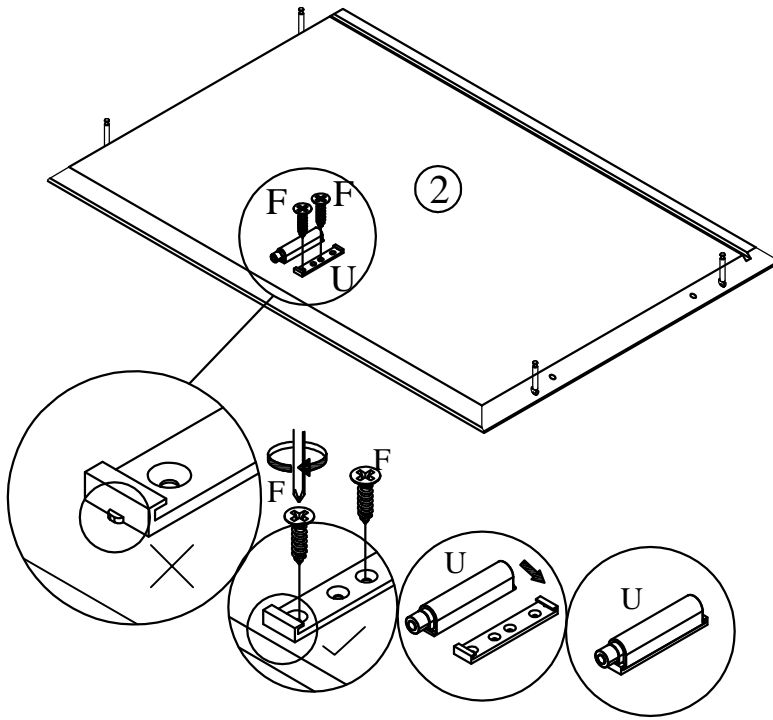
B	x4	O	x4
			
Ø15x12mm			

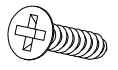
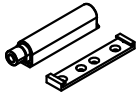
2



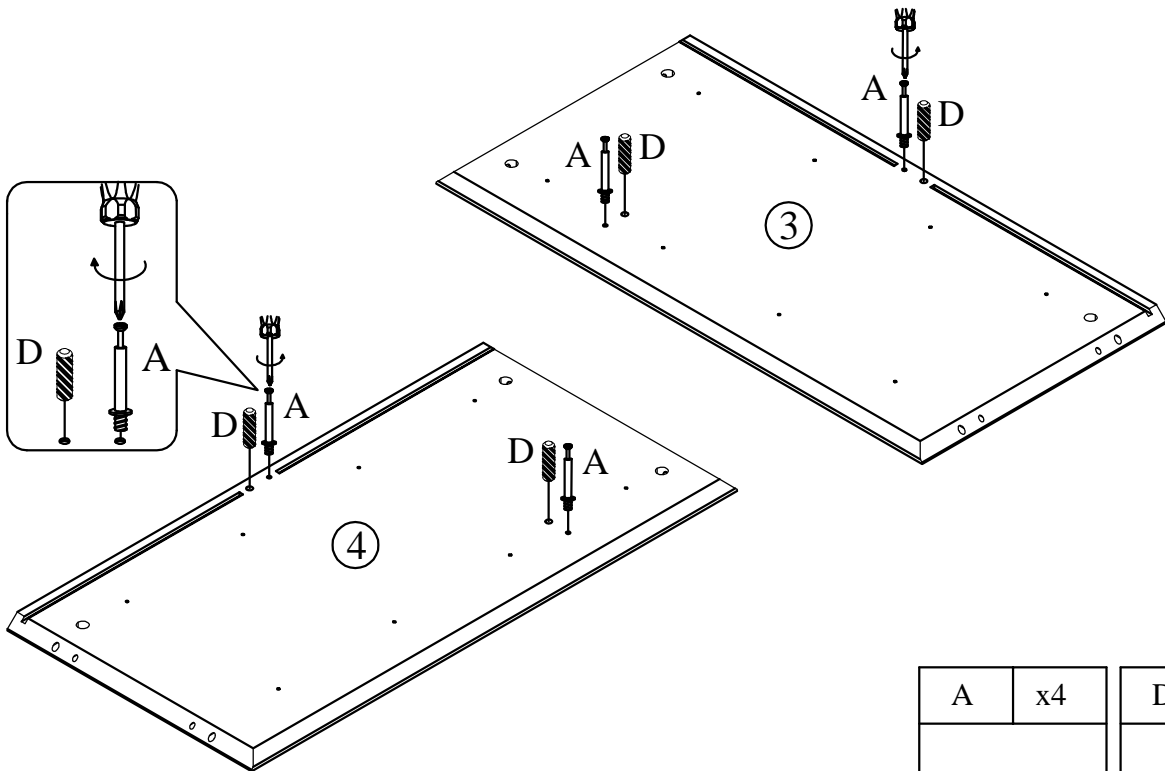
B	x4	O	x4
			
Ø15x12mm			

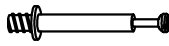

3



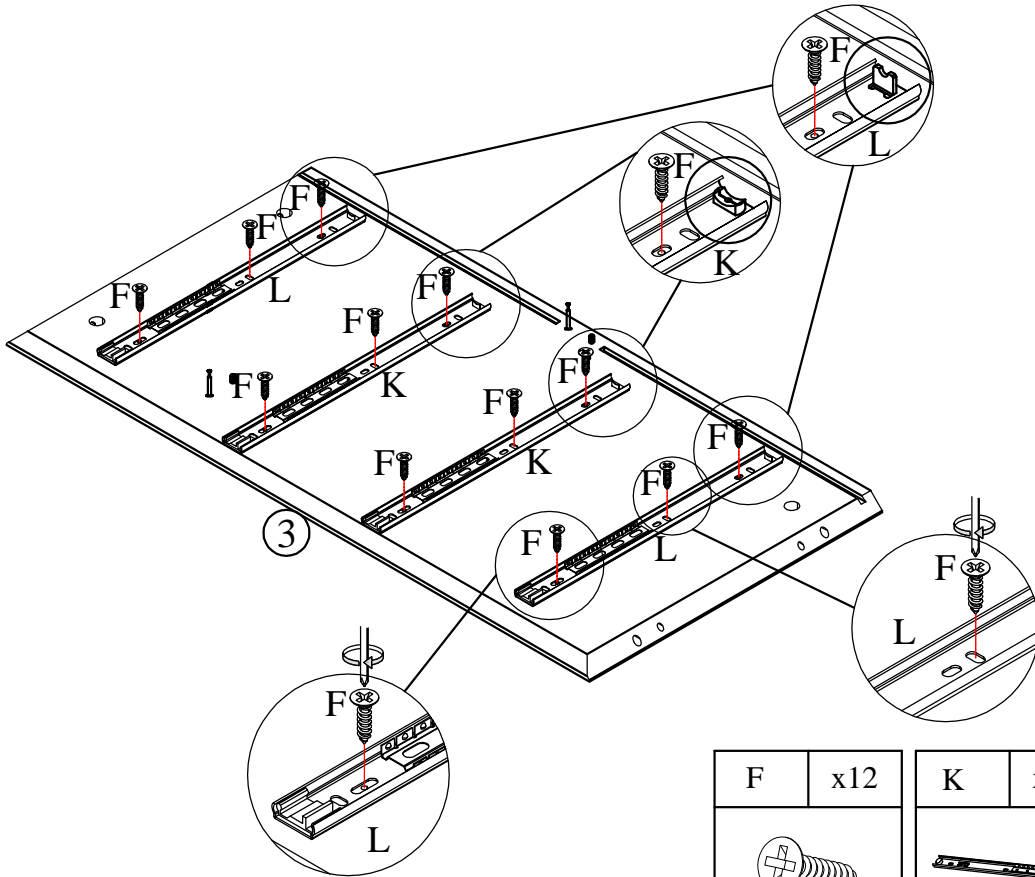
F	x2
	
3.5x14mm	
U	x1
	

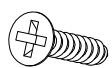


4



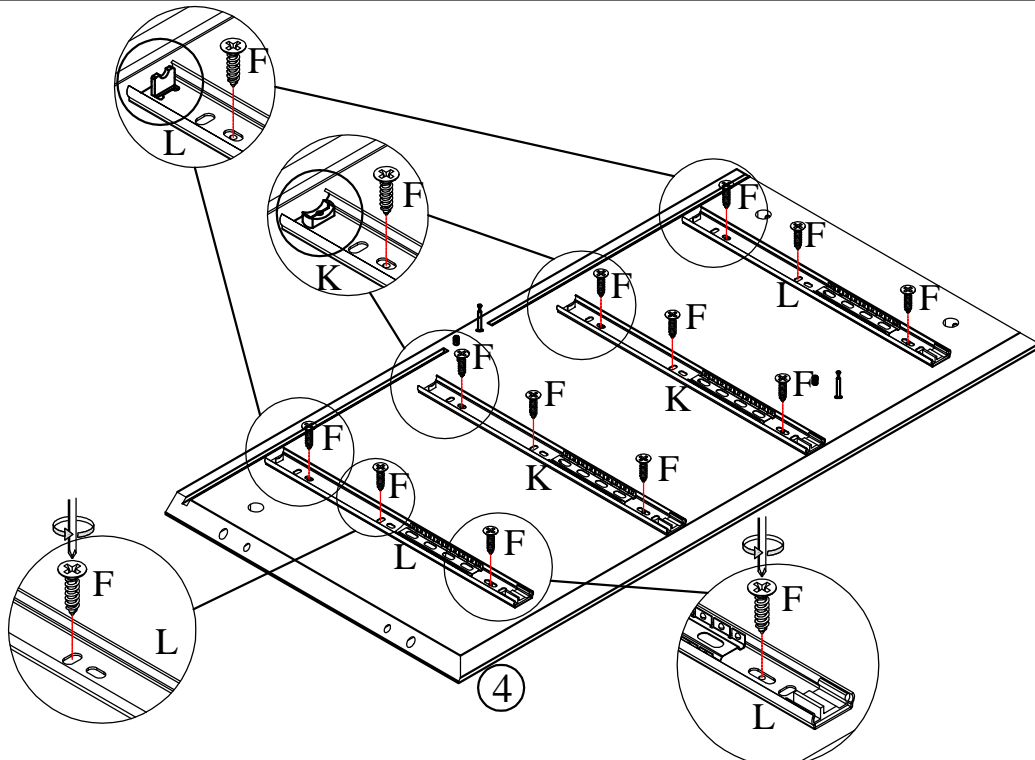
A	x4	D	x4
			
6x35mm		8x30mm	

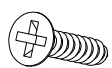


5



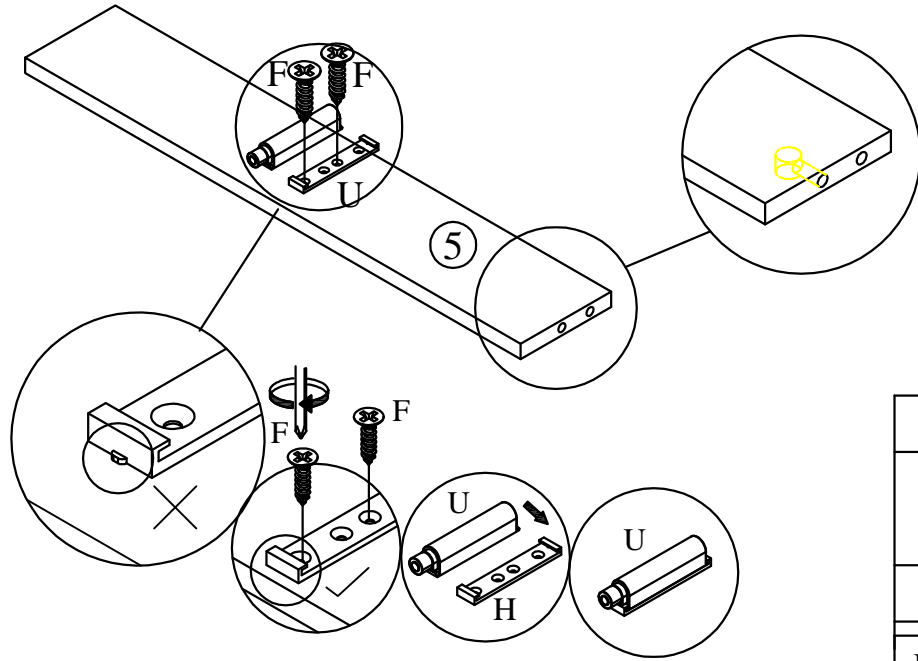
F	x12	K	x2	L	x2
					
3.5x14mm		340mm		340mm	

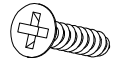
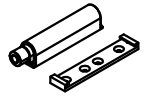
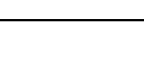
6



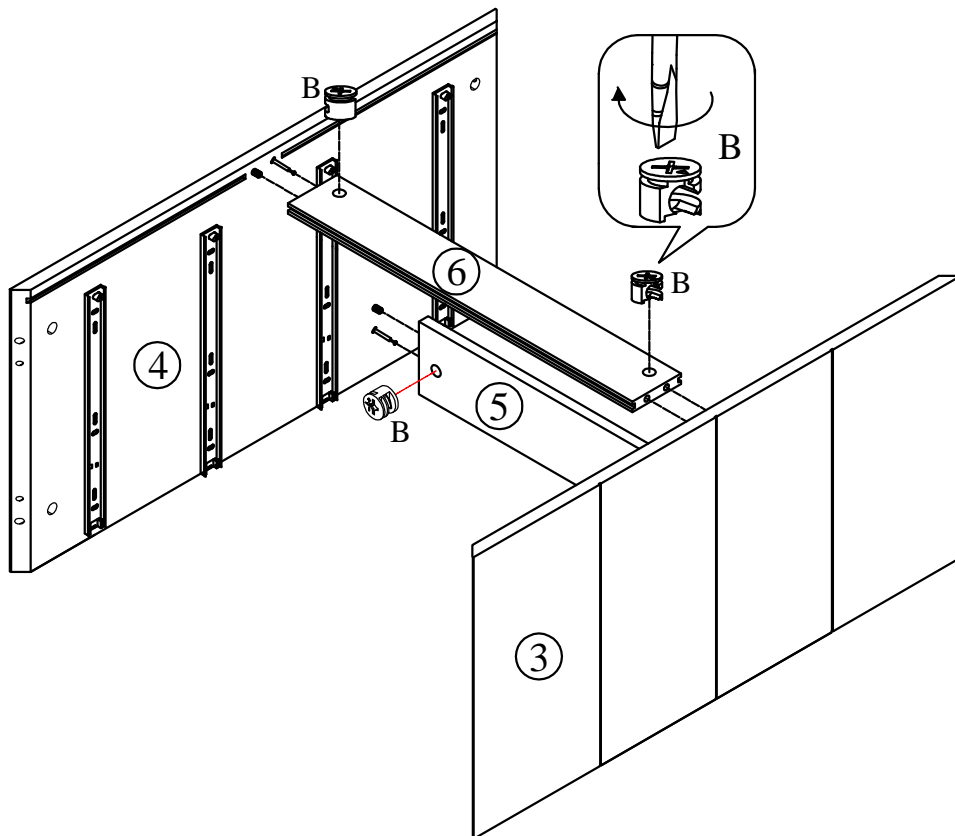
F	x12	K	x2	L	x2
					
3.5x14mm		340mm		340mm	

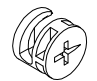
7



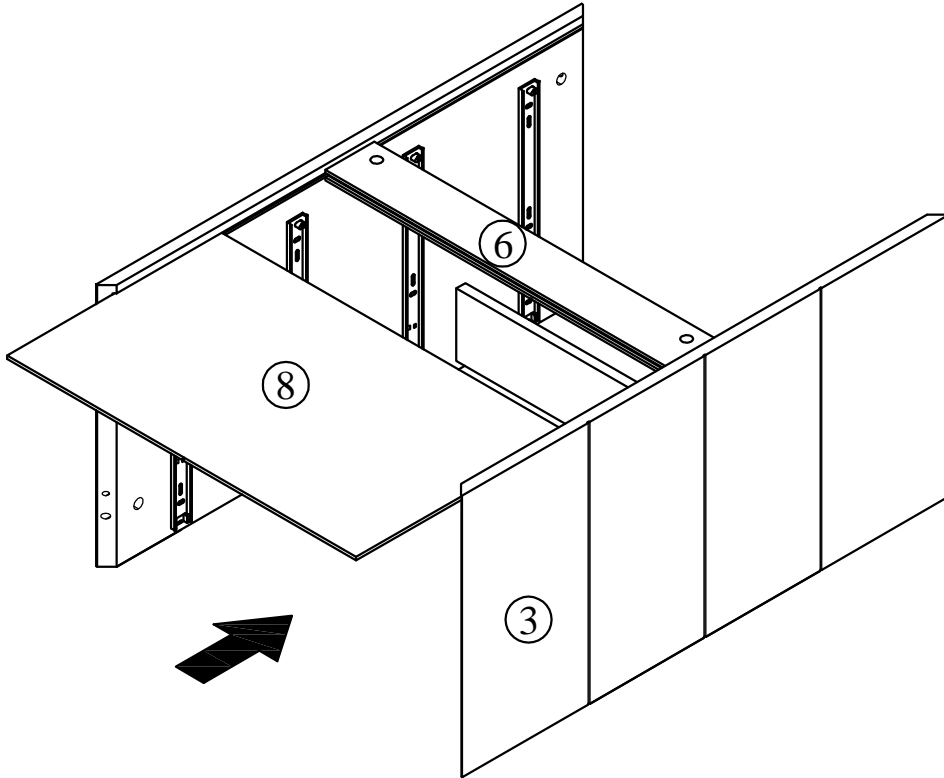
F	x2
	
3.5x14mm	
U	x1
	
	

8

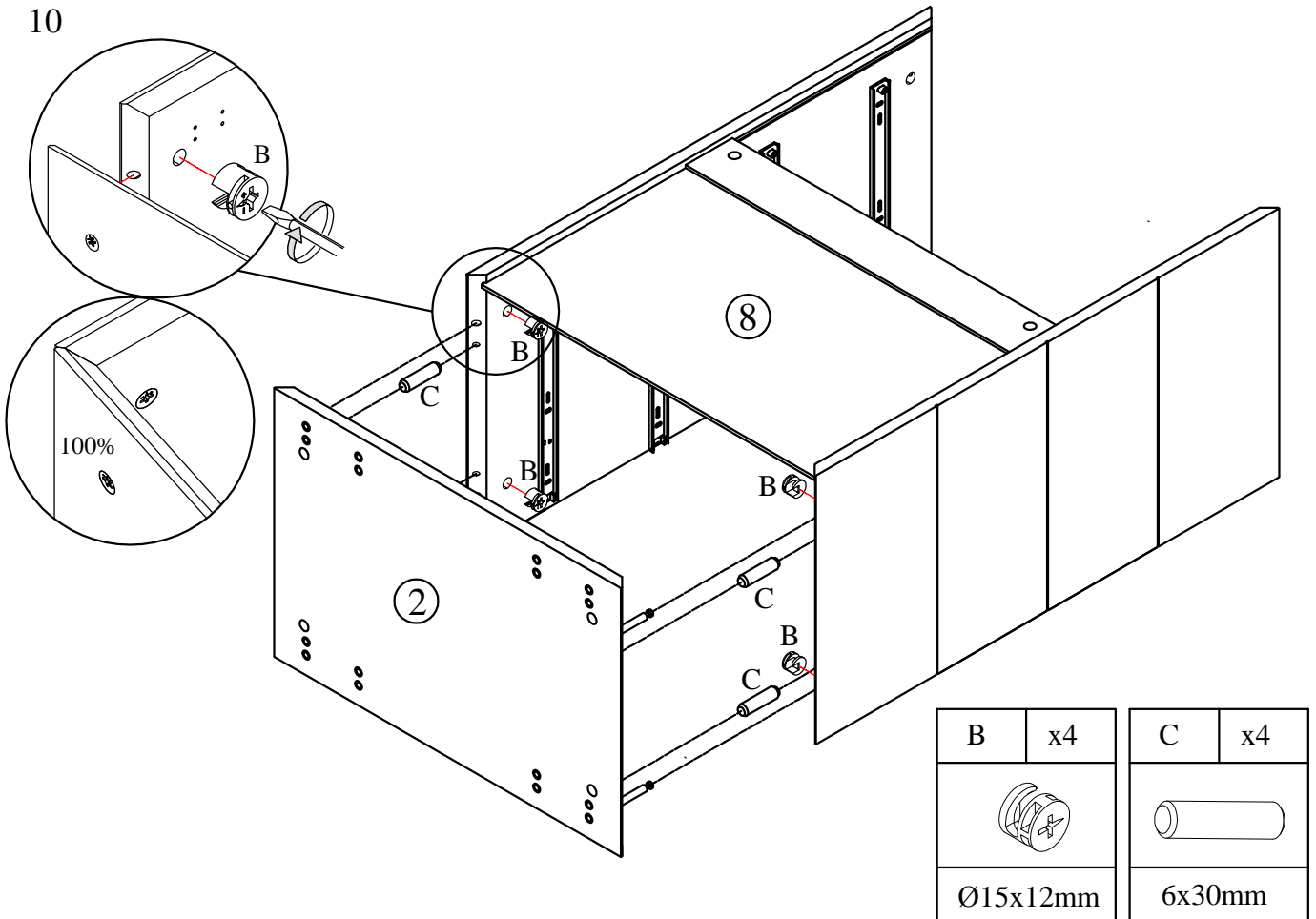


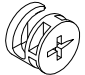

B	x4
	
Ø15x12mm	

9



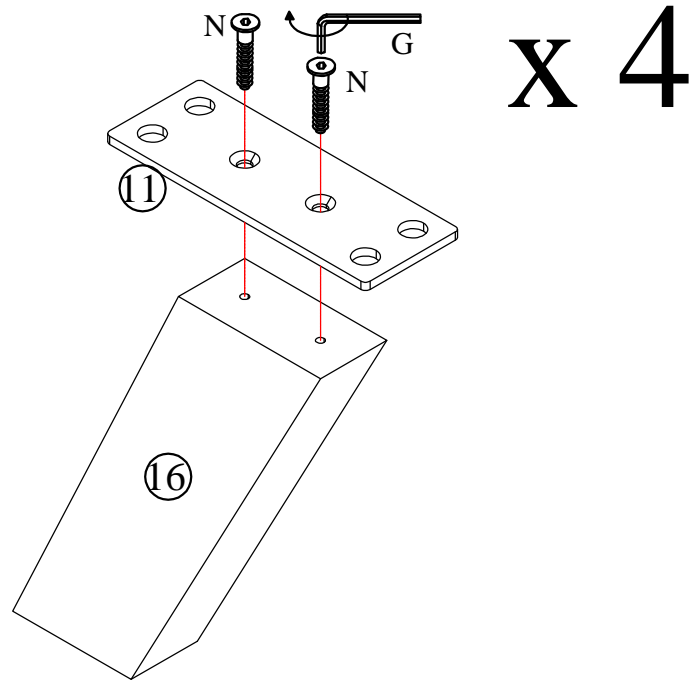
10





B	x4	C	x4
			
Ø15x12mm		6x30mm	

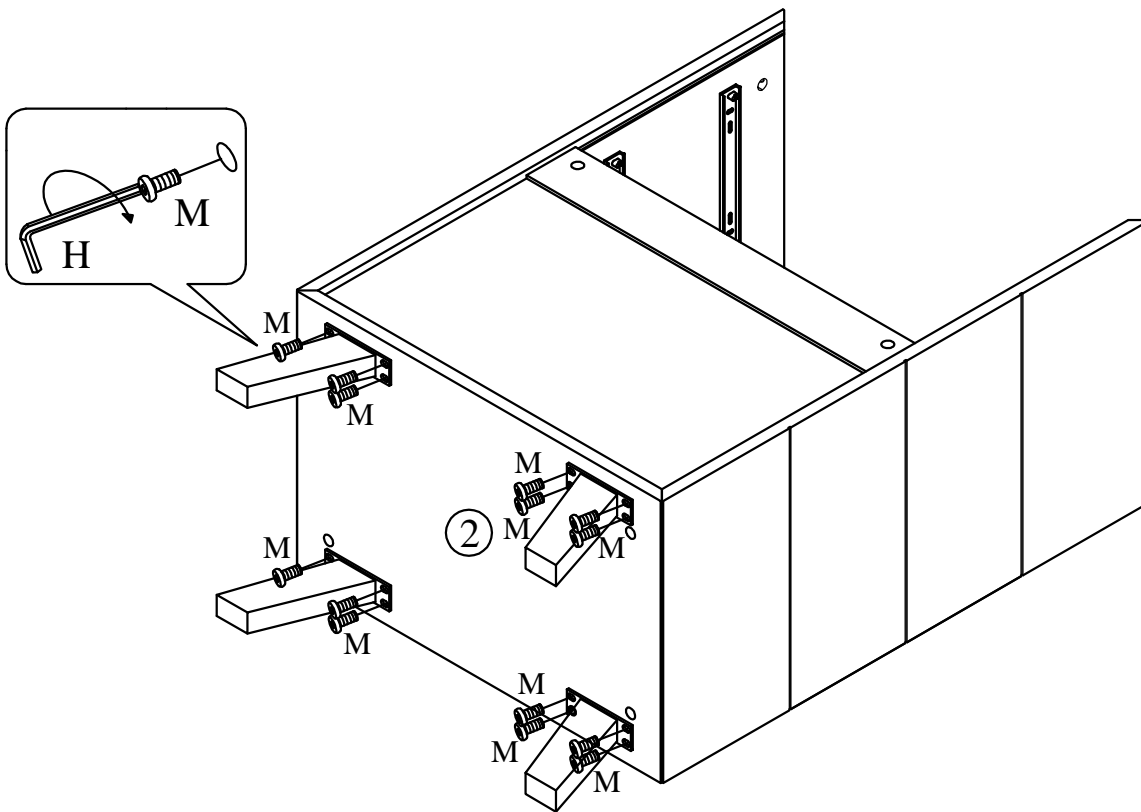




11



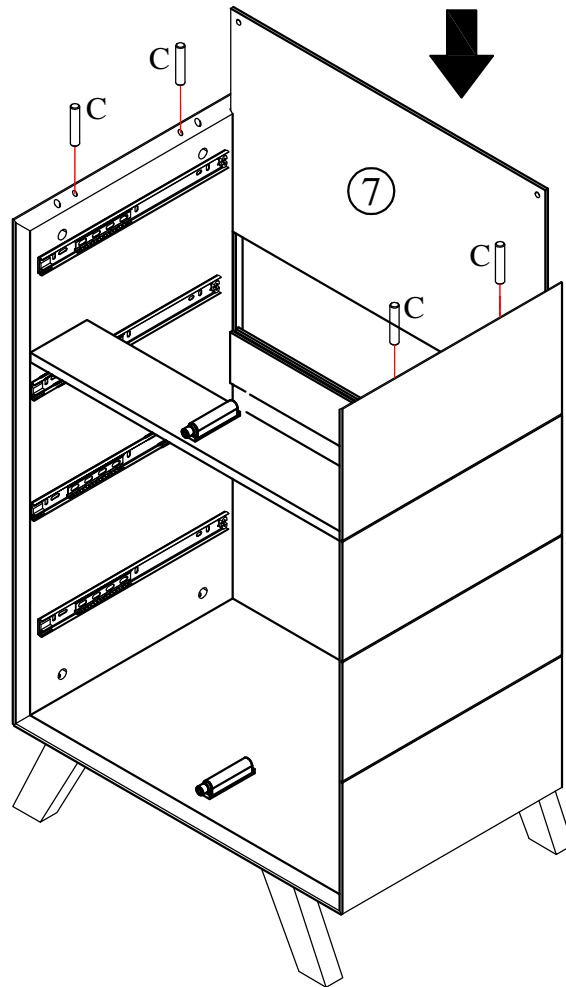
N	x8
	
5x30mm	
G	x1
	
M3	


12



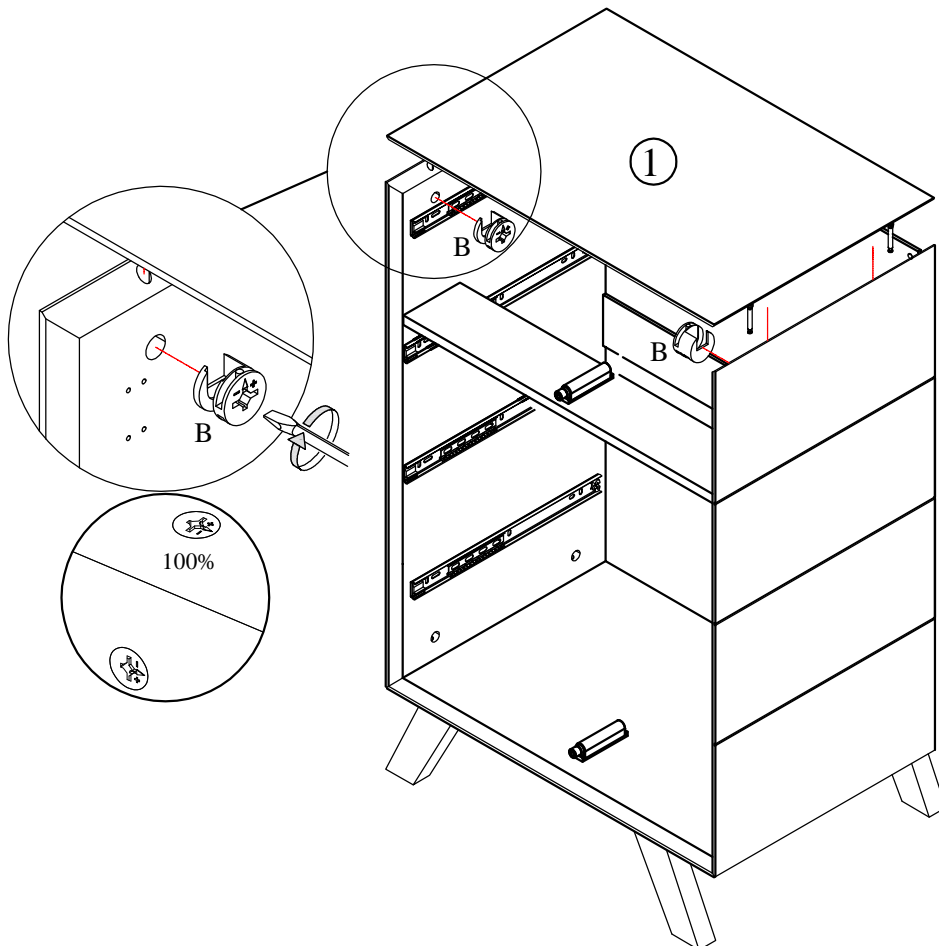
M	x16
	
M6x15mm	
H	x1
	
M4	

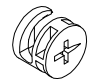
13



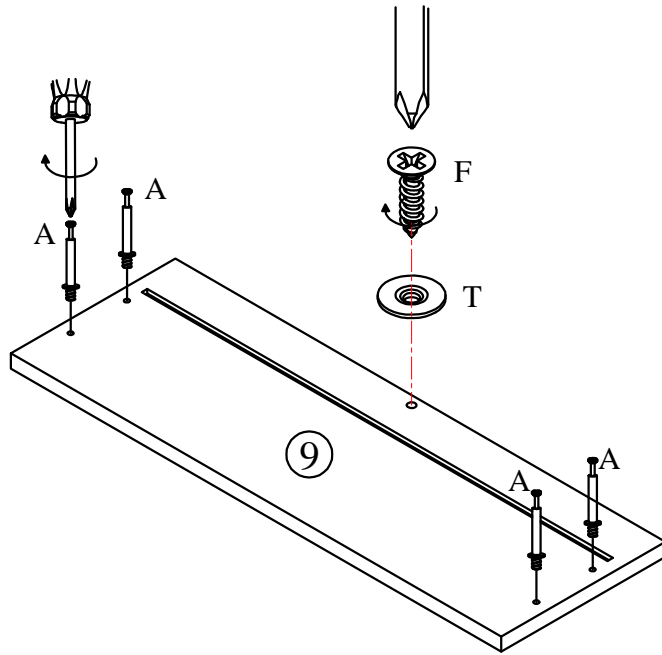
C	x4
	
6x30mm	

14

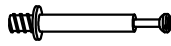


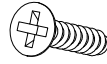
B	x4
	
Ø15x12mm	


15



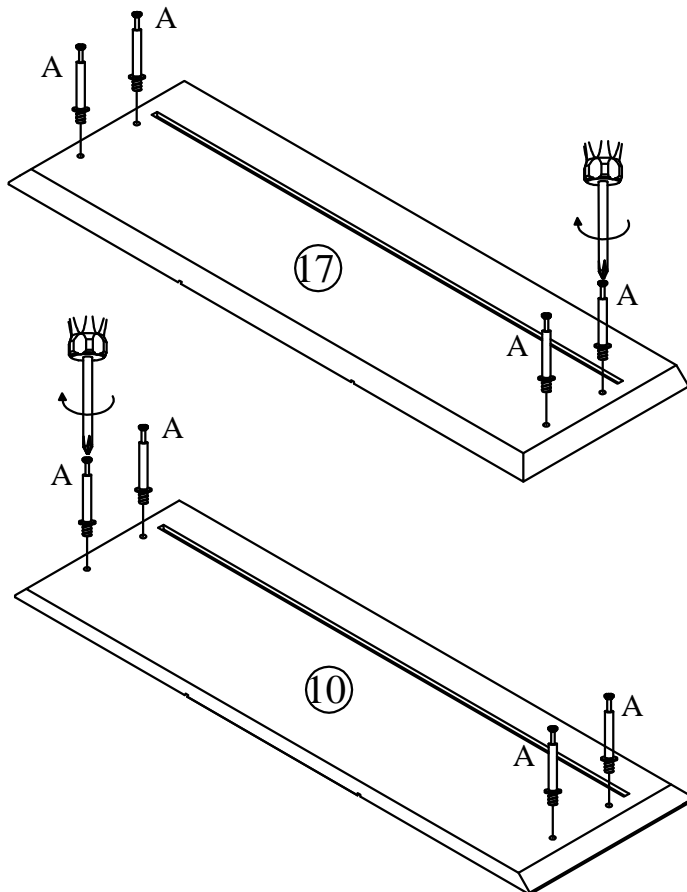
x 2

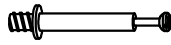
A	x8
	
6x35mm	

F	x2
	
3.5x14mm	

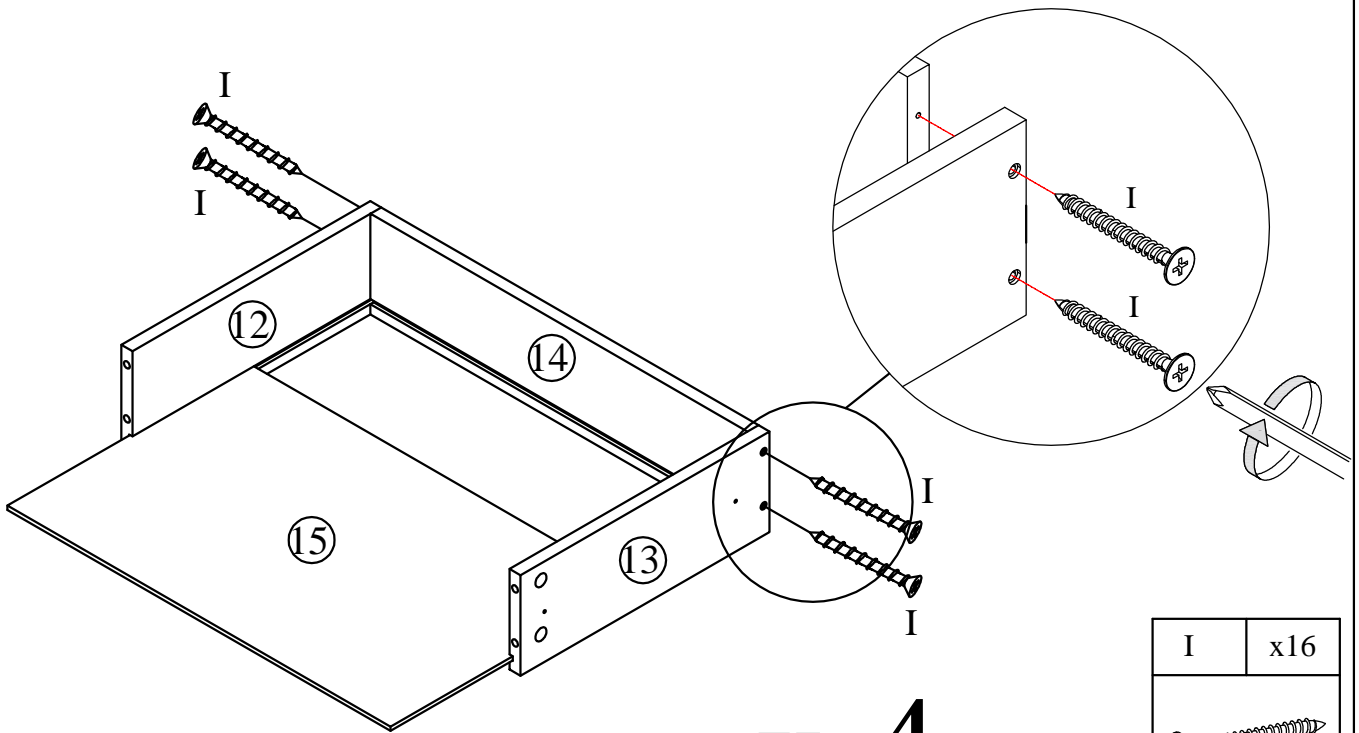
T	x2
	

16



A	x8
	
6x35mm	

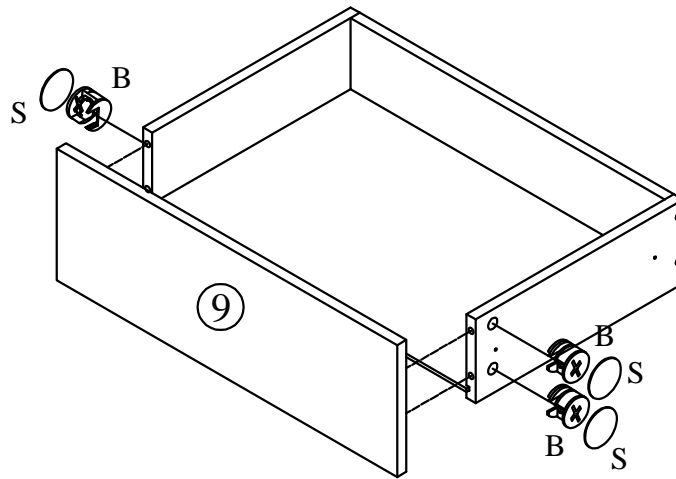
17



x 4

I	x16
4x30mm	

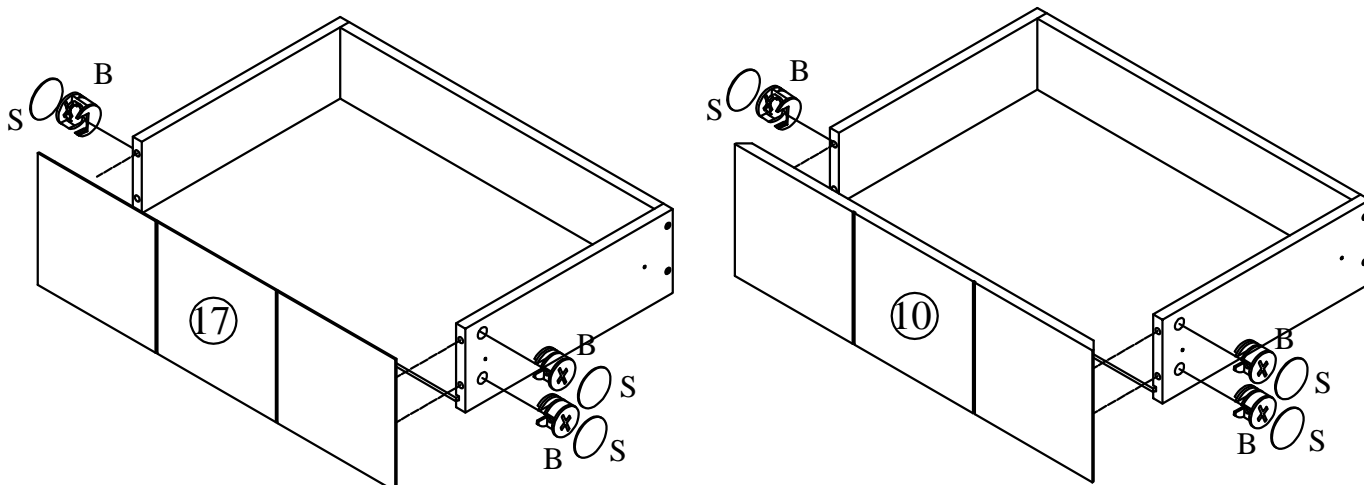
18


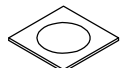


x 2

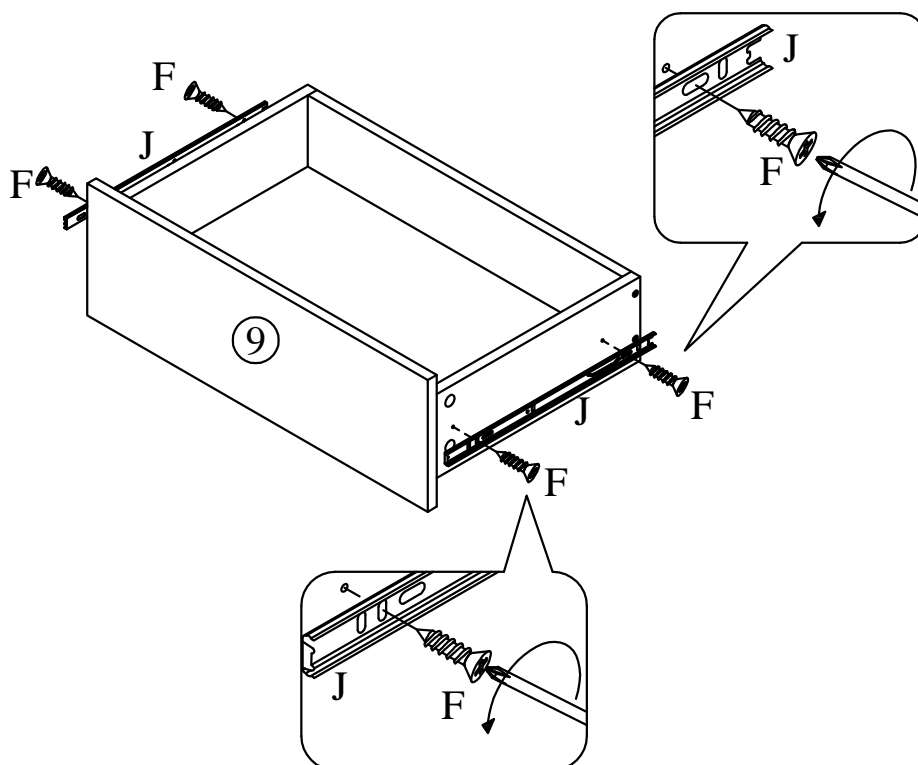
B	x8	S	x8
Ø15x12mm			

19





B	x8	S	x8
			
Ø15x12mm			

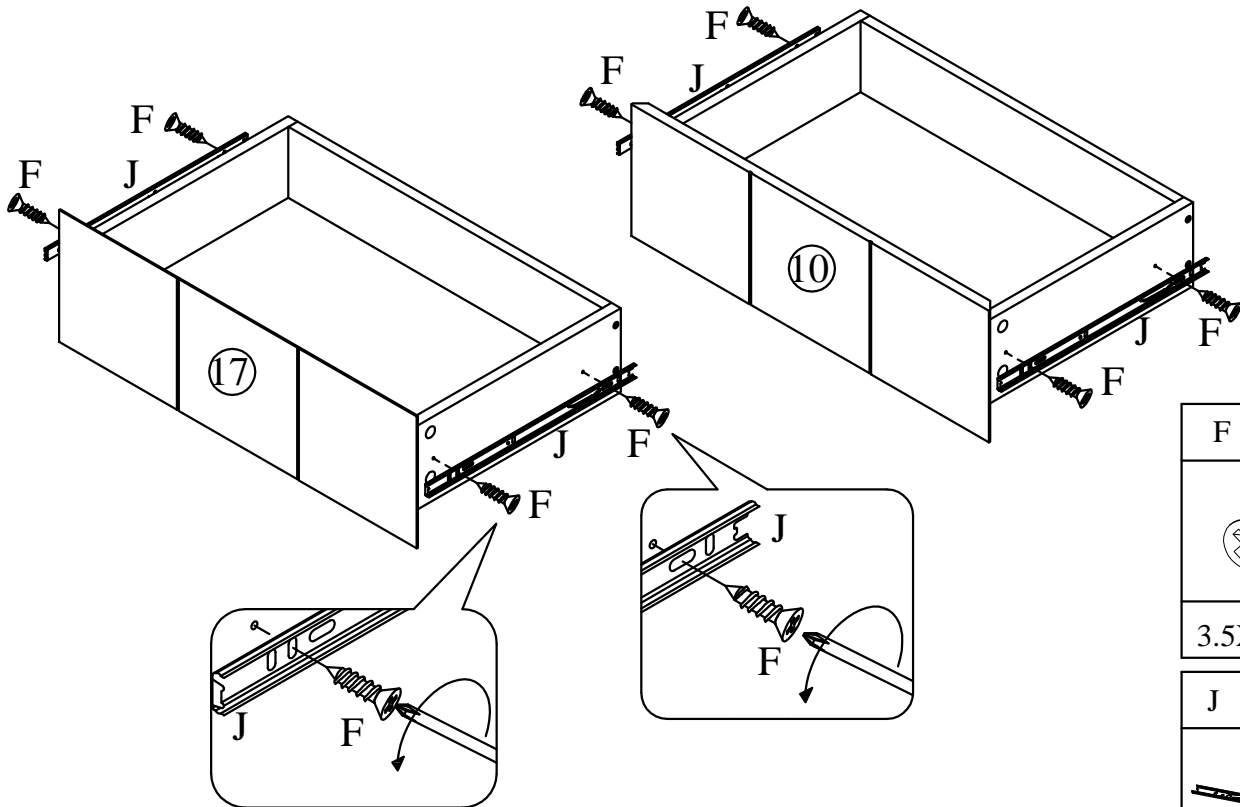
20

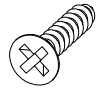



x 2

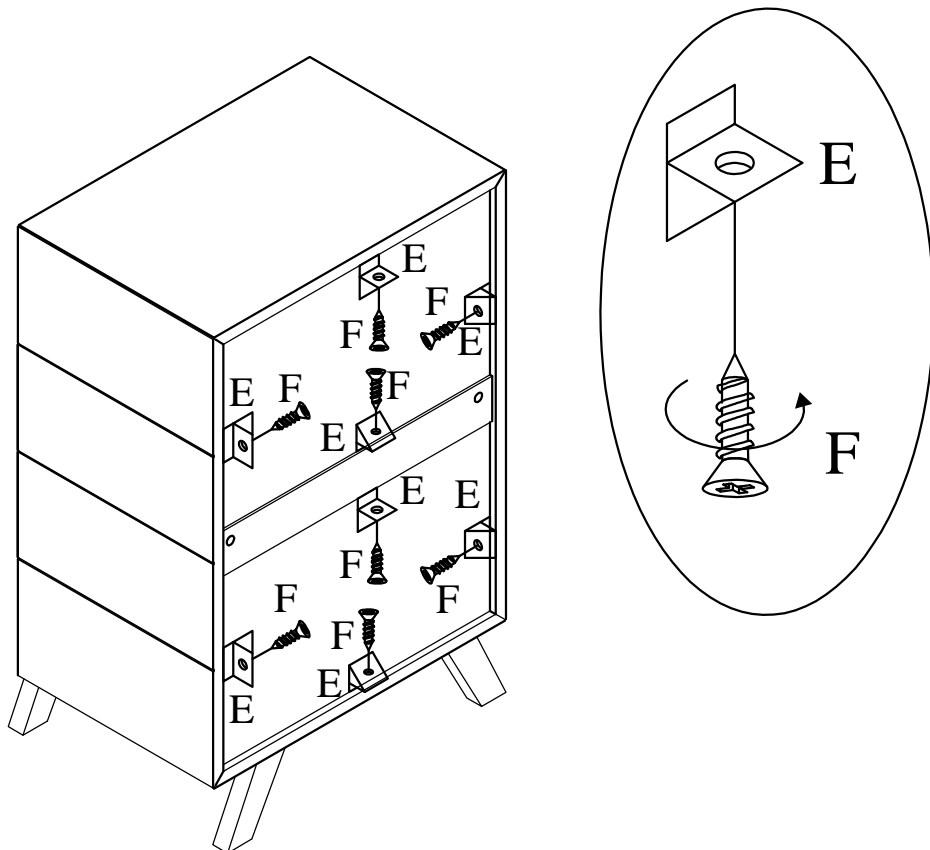
F	x8
	
3.5X14mm	
J	x4
	
340mm	

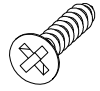
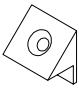
21

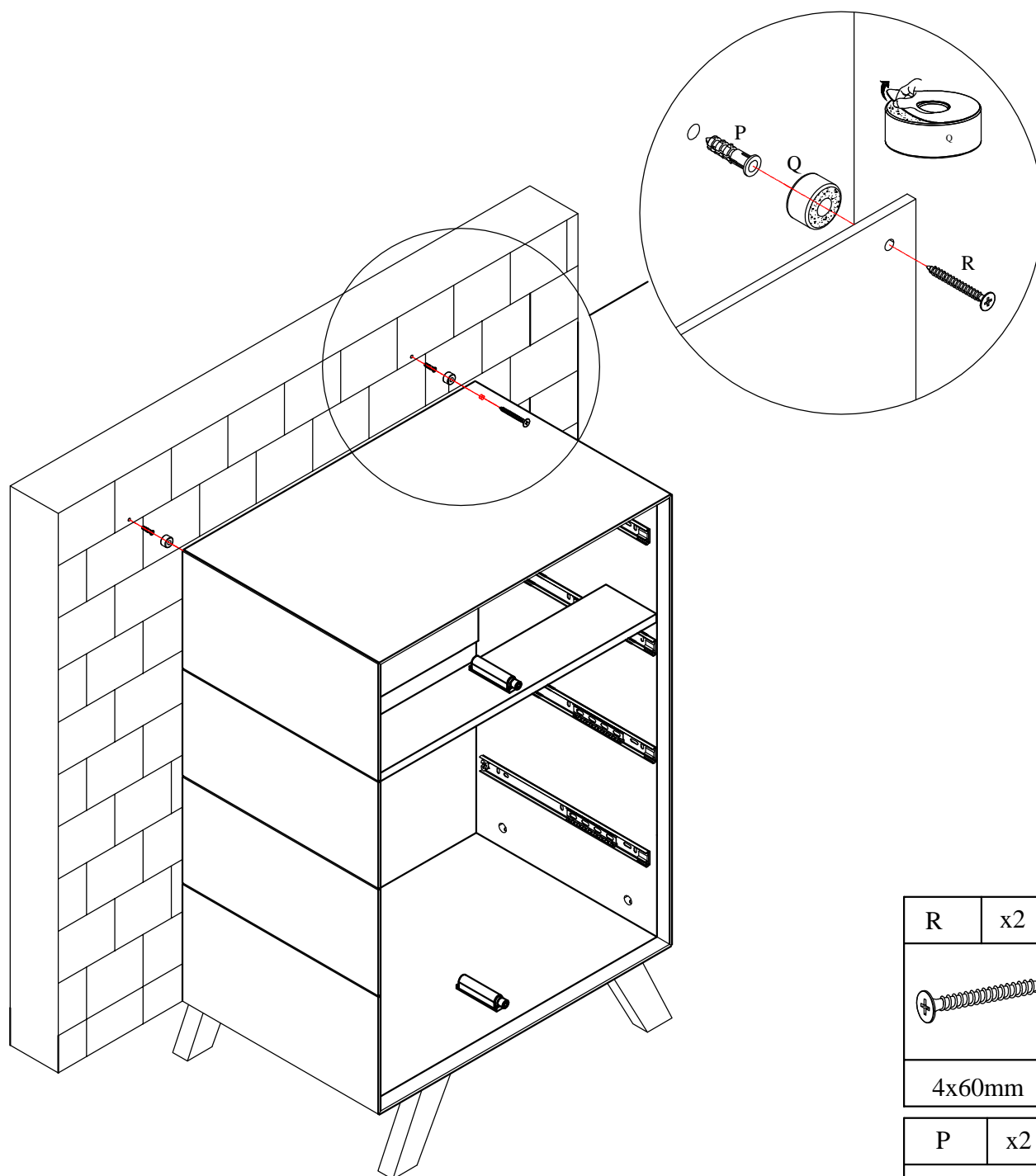



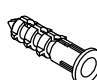

F	x8
	
3.5X14mm	
J	x4
	
340mm	

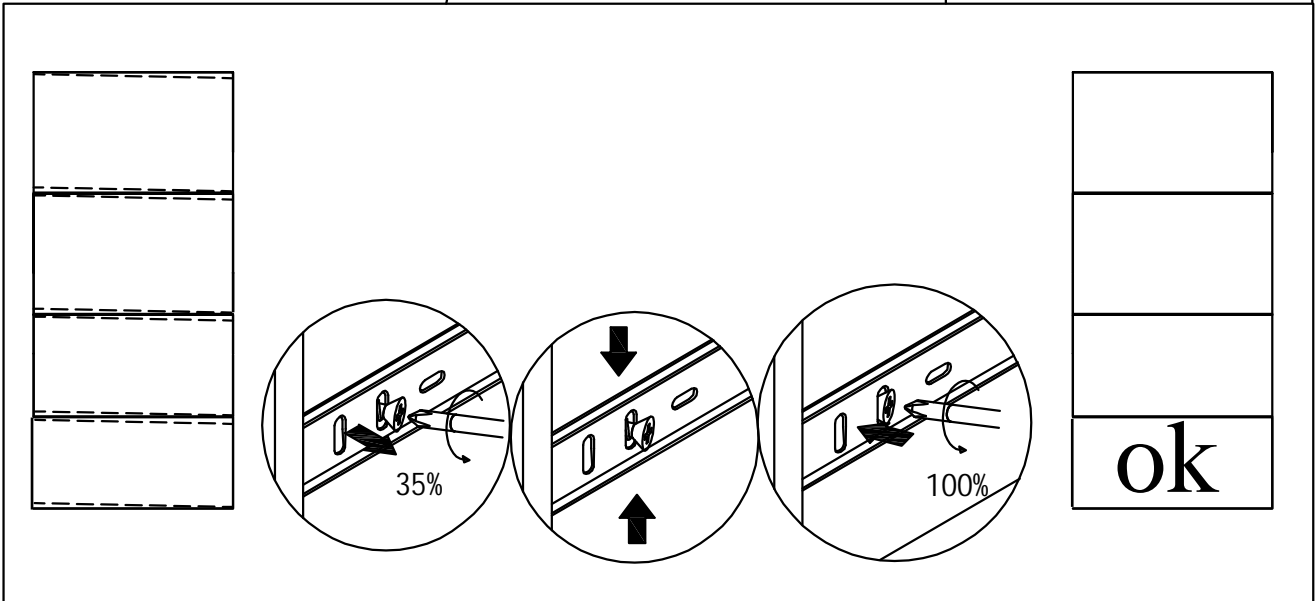
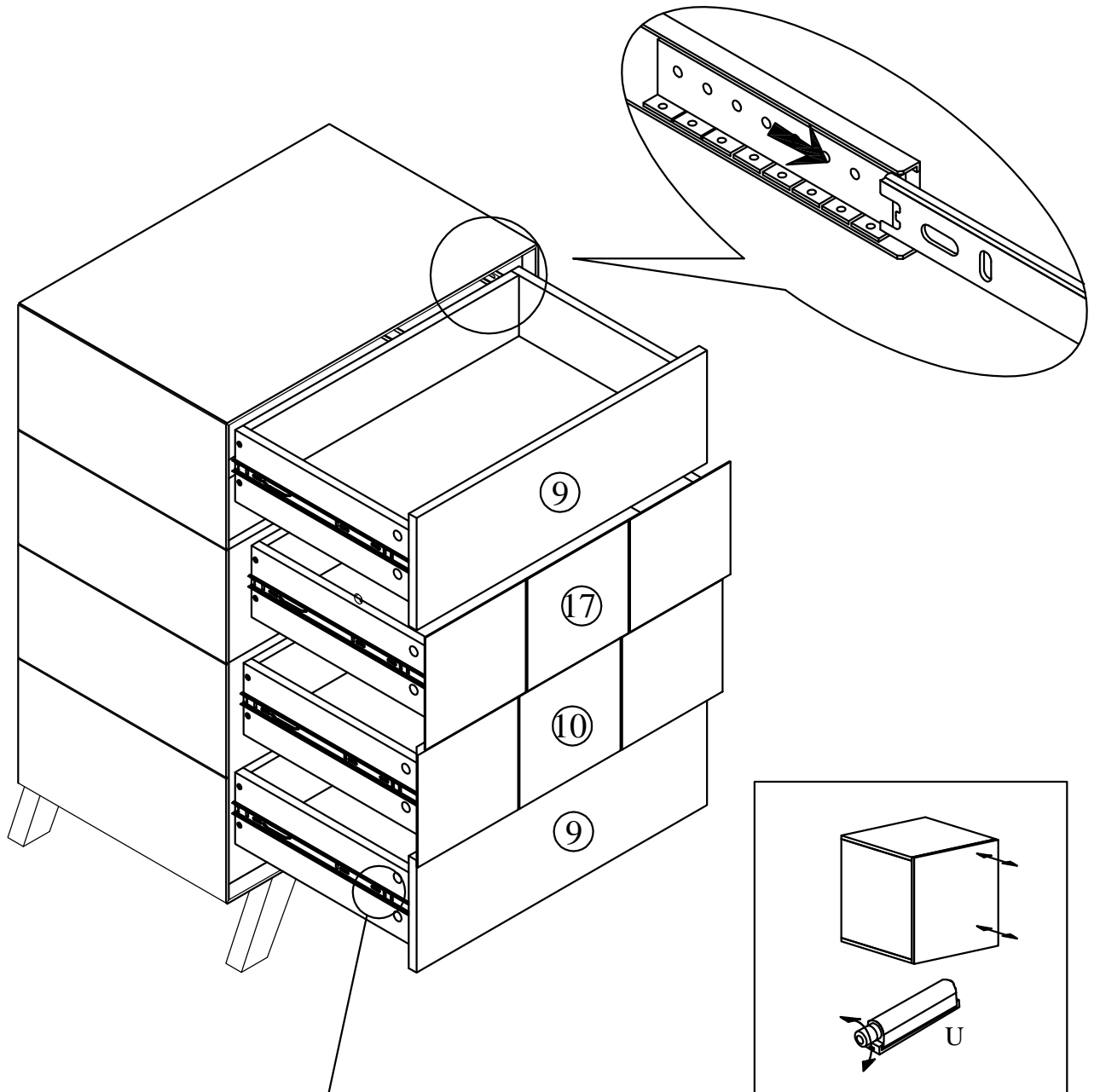
22



F	x8
	
3.5X14mm	
E	x8
	

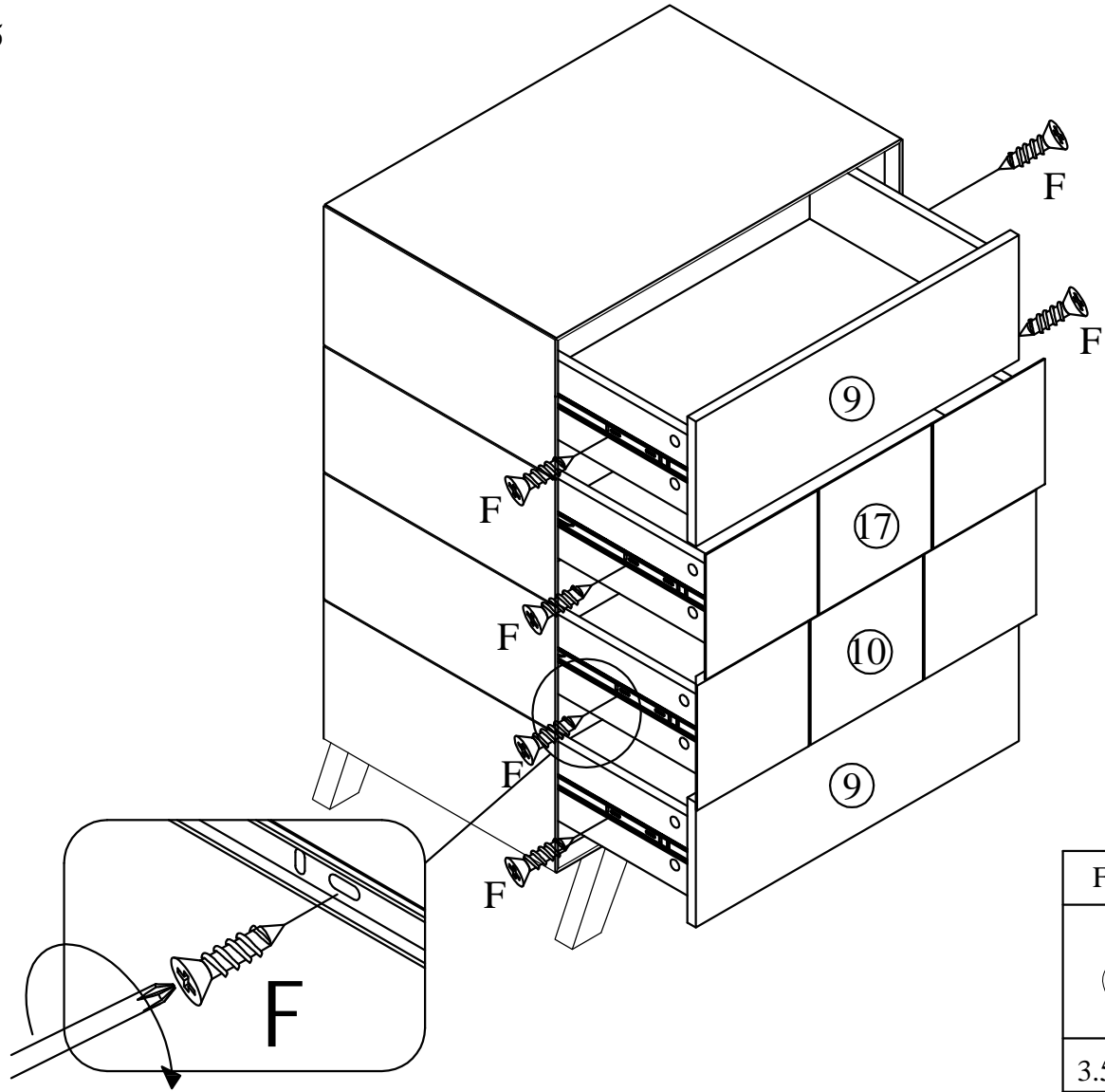


R	x2
	
4x60mm	
P	x2
	
6x30mm	
Q	x2
	
Ø20x12mm	





25



26

