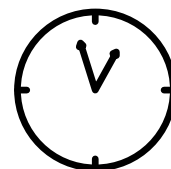
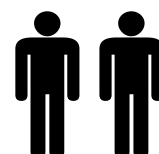
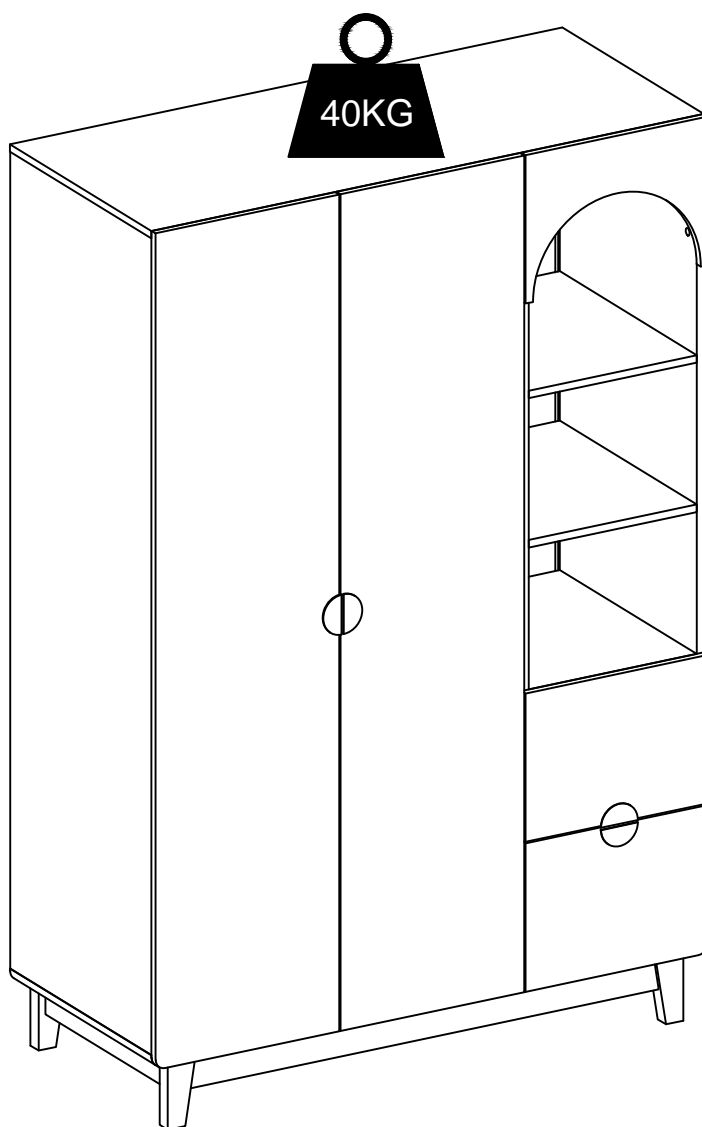


04890170-02

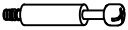



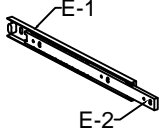
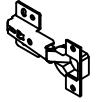
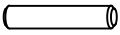
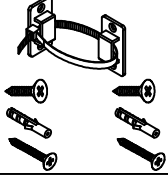
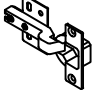
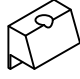



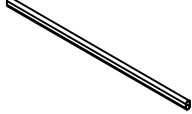












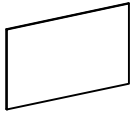







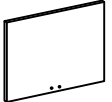
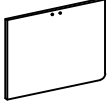



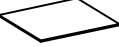

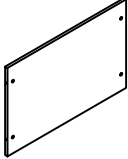

ENNY

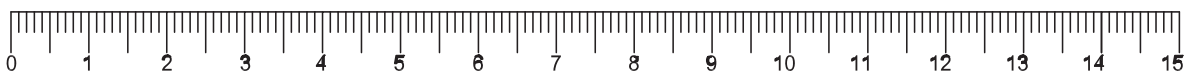
XXXLutz KG
Römerstraße 39
A-4600 Wels
Austria
E-Mail: info@moemax.at



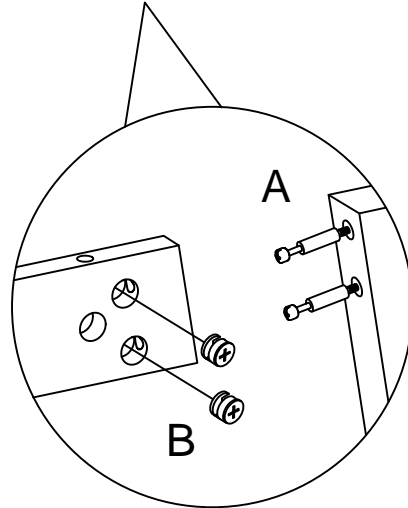
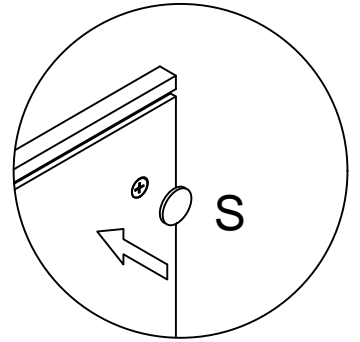
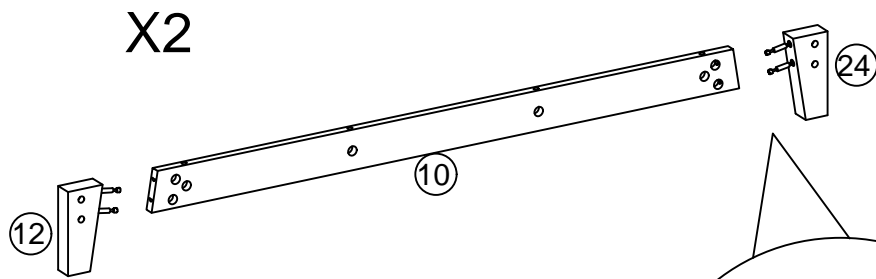
55min

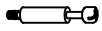




A	X84	B	X84	C	X68	D	X8	E	X4	F	X4
				 3.5*14		 3.5*35					
G	X12	H	X2	I	X4	J	X22	K	X2	L	X4
								 φ15		 φ25	
M	X2	N	X1	O	X4	P	X8	Q	X8	R	X22
						 M4*20		 M4		 3*16	
S	X84										
											
①	X1	②	X1	③	X1	④	X1	⑤	X1	⑥	X3
											
⑦	X2	⑧	X3	⑨	X1	⑩	X2	⑪	X2	⑫	X2
											
⑬	X1	⑭	X1	⑮	X1	⑯	X1	⑰	X1	⑱	X2
											
⑲	X2	⑳	X2	㉑	X2	㉒	X1	㉓	X1	㉔	X2
											

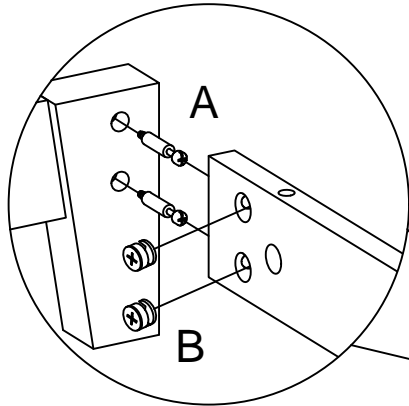
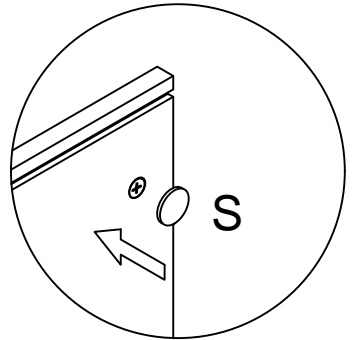
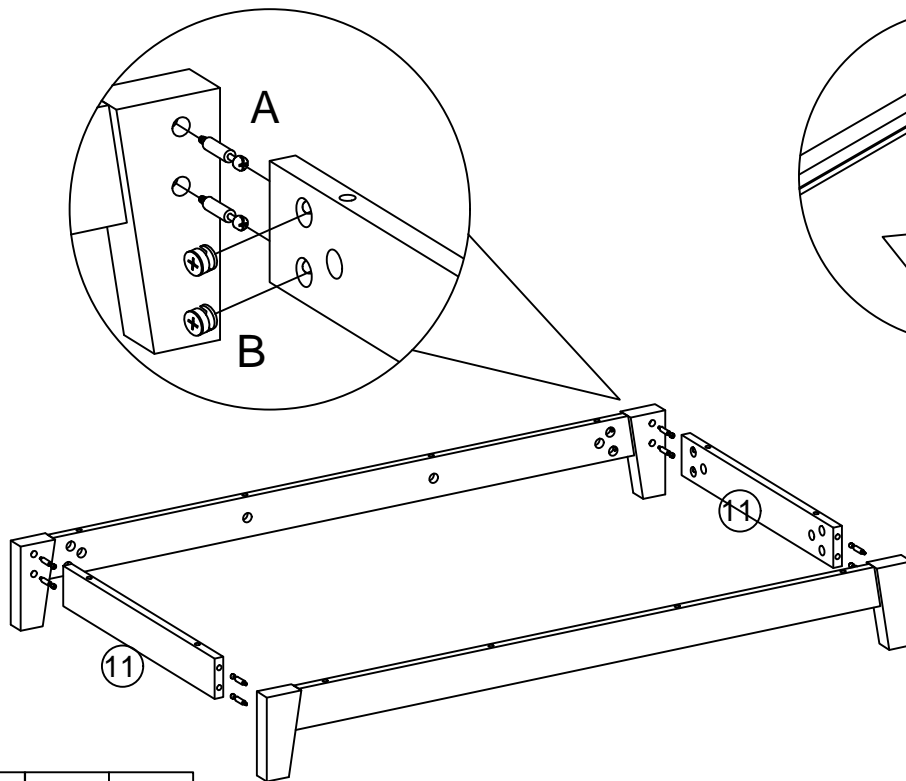


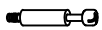


1

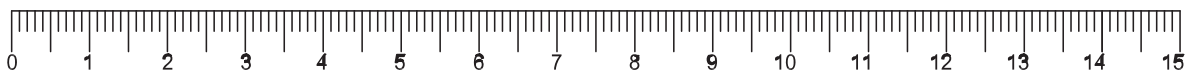


A	X8	B	X8	S	X8
					

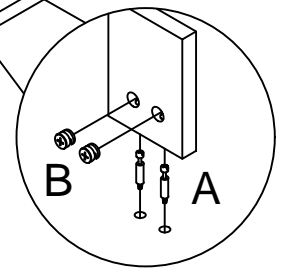
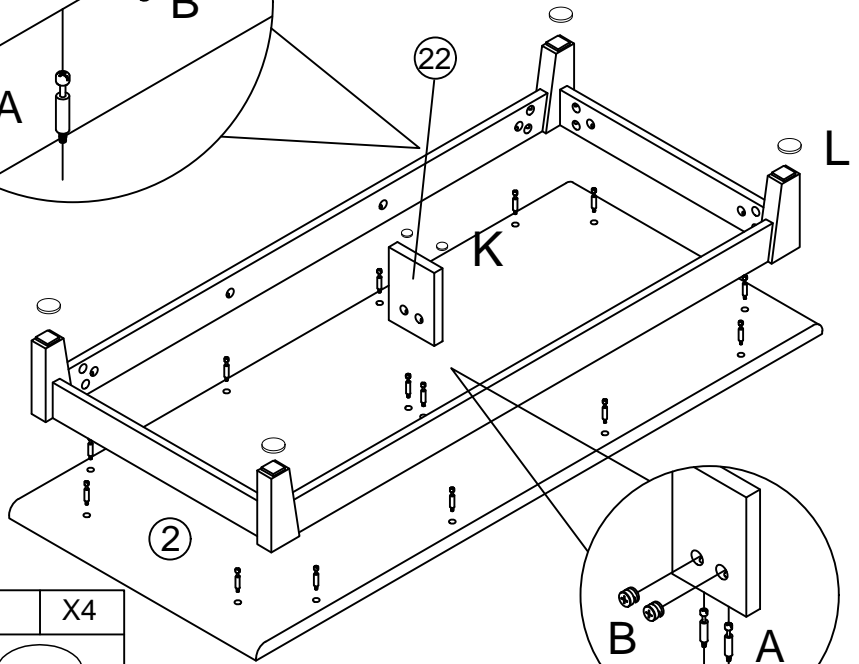
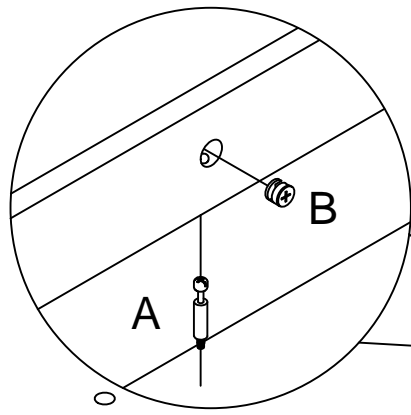
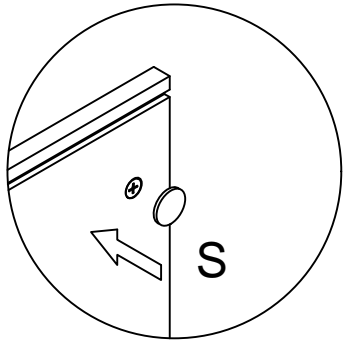
2



A	X8	B	X8	S	X8
					

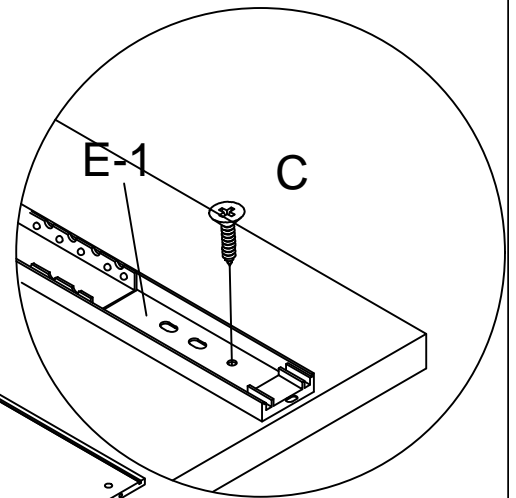
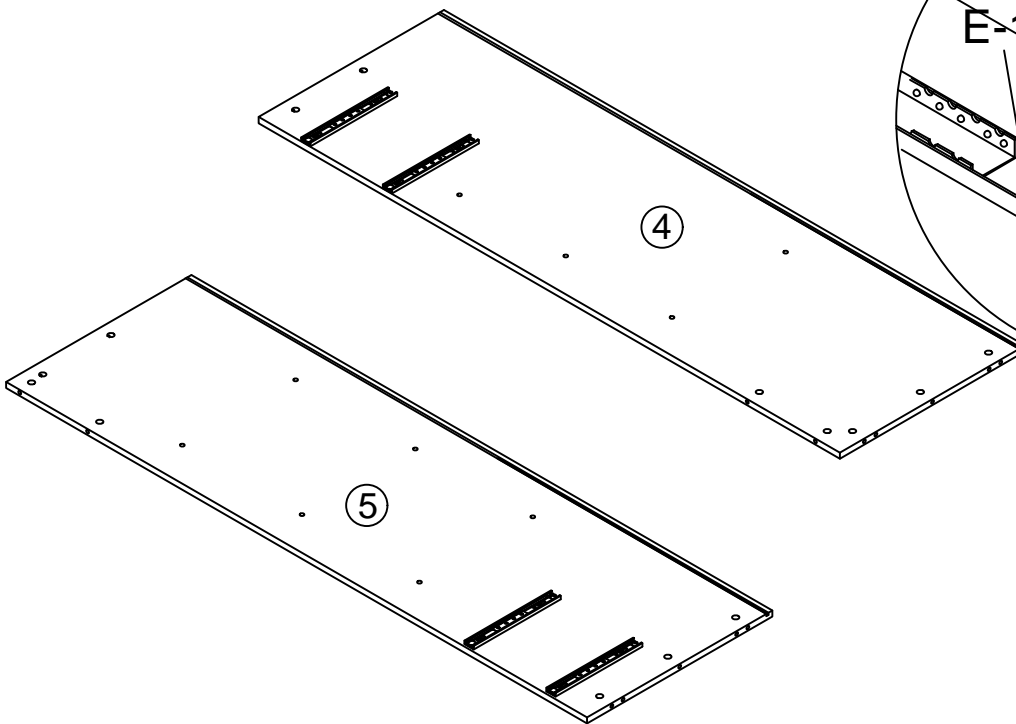


3

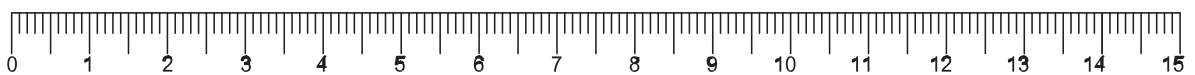


S	X14						
A	X14	B	X14	K	X2	L	X4
				φ15		φ25	

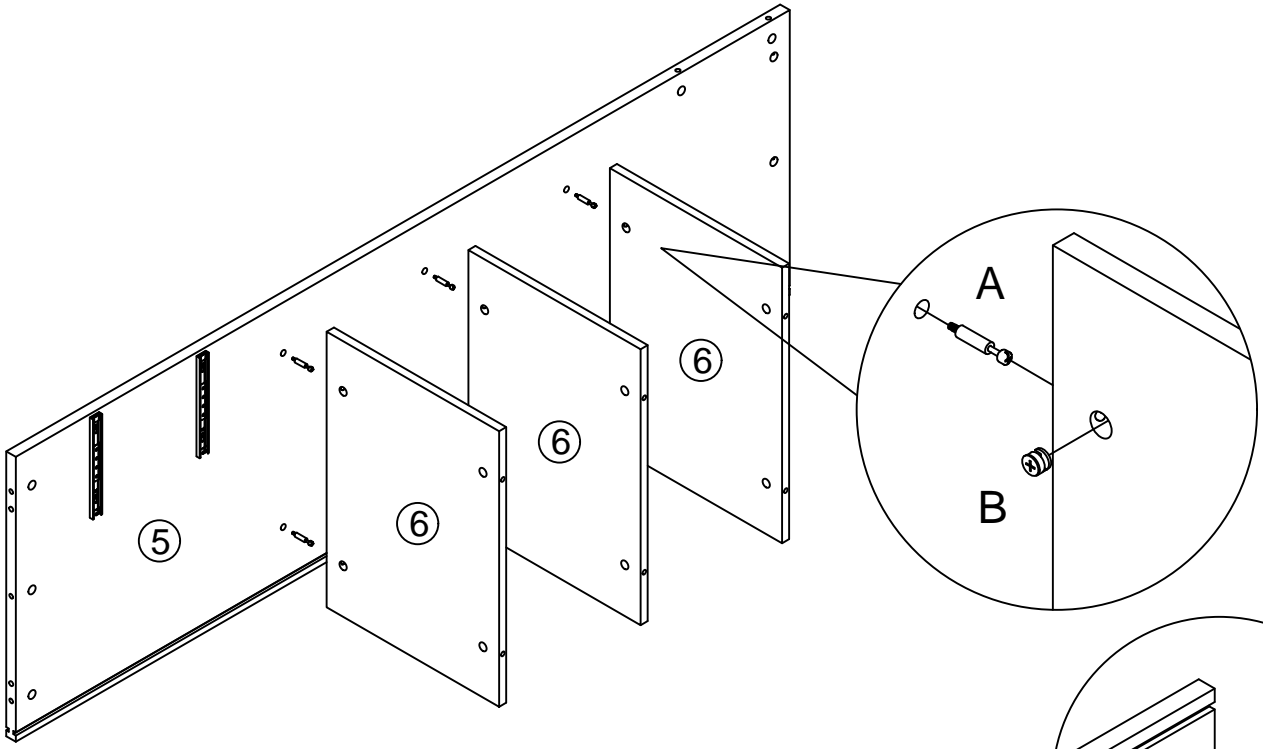
4

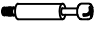




C	X8	E-1	X4
3.5*14		E-2	

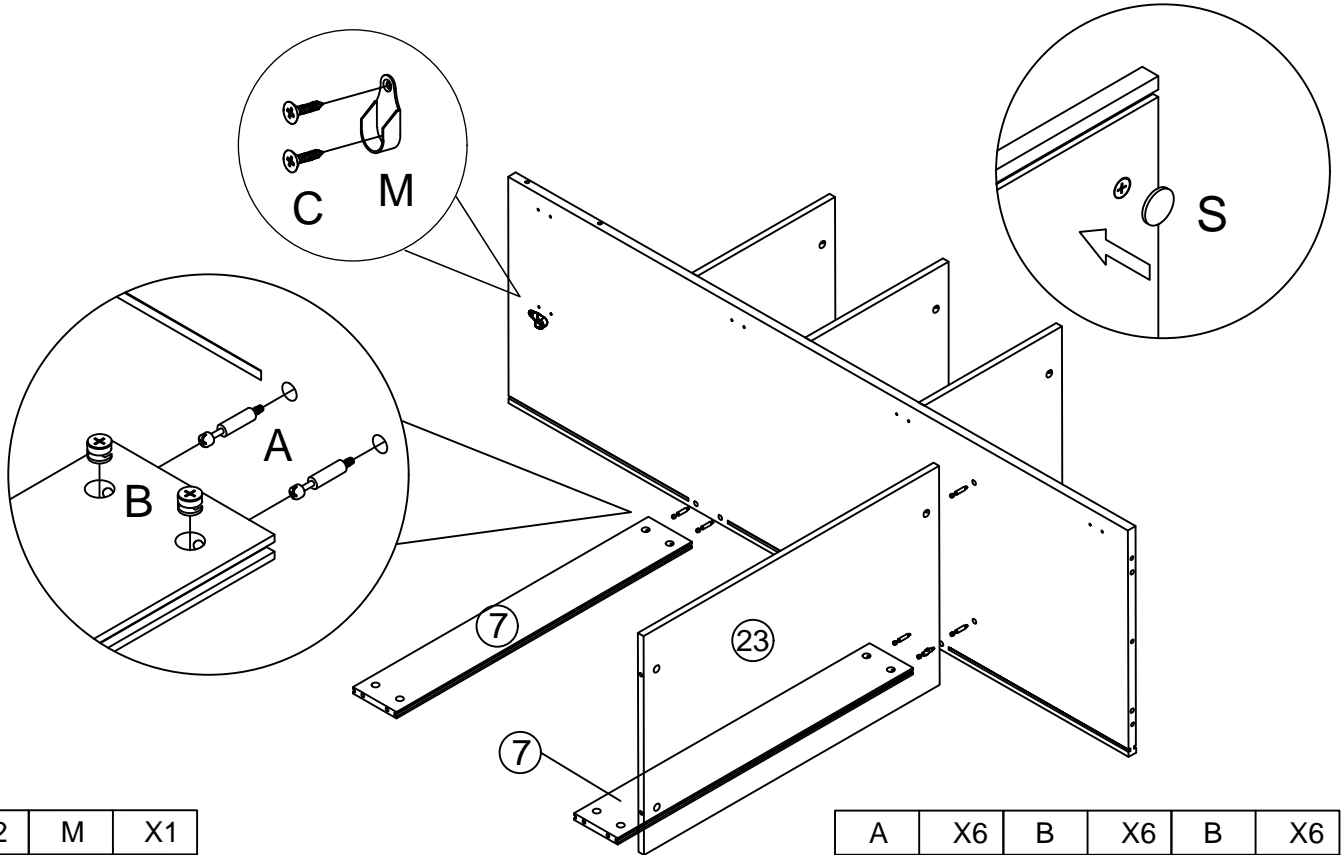




5

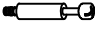




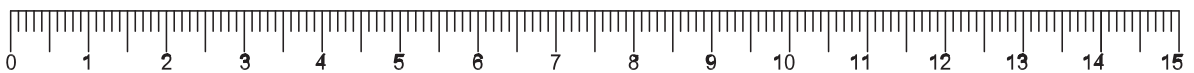
A	X6	B	X6	S	X6
					

6

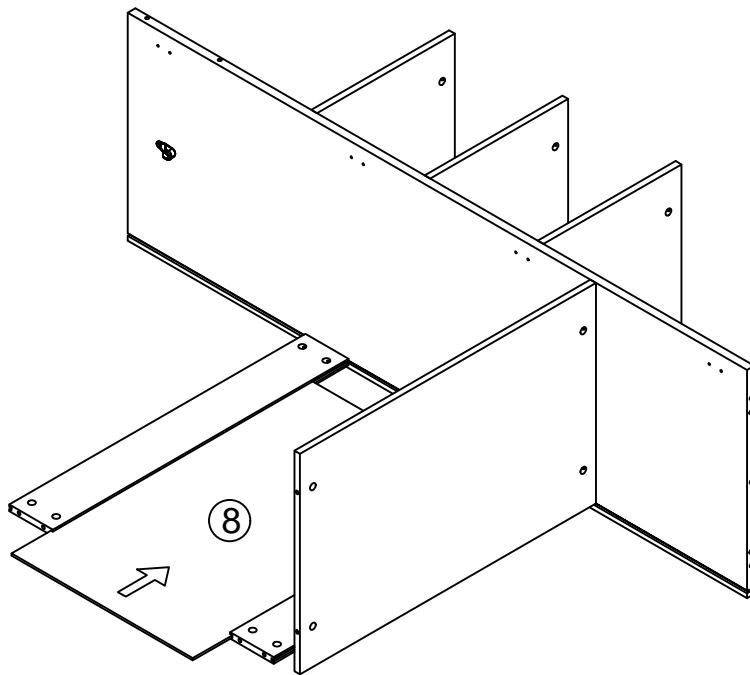


C	X2	M	X1
			

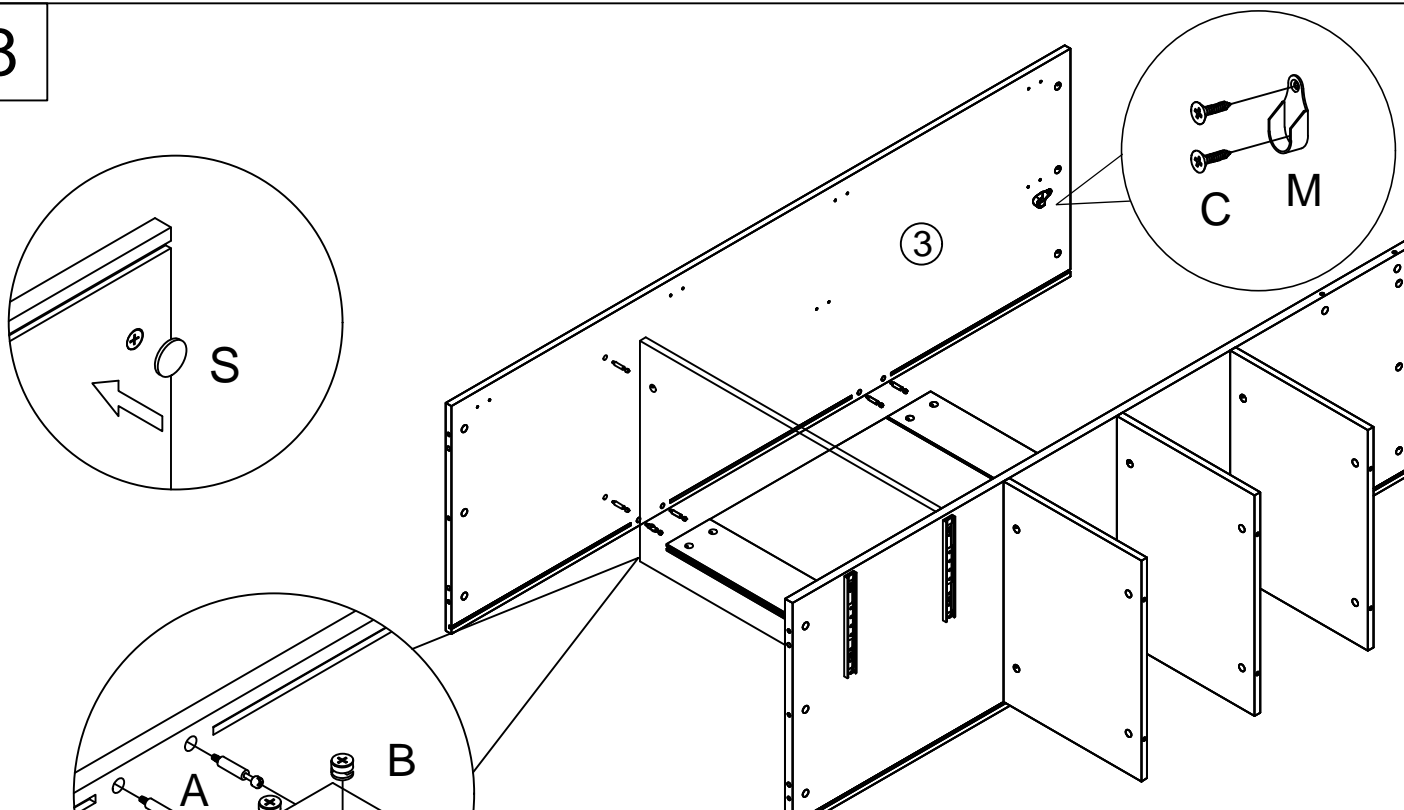
A	X6	B	X6	B	X6
					

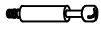






7



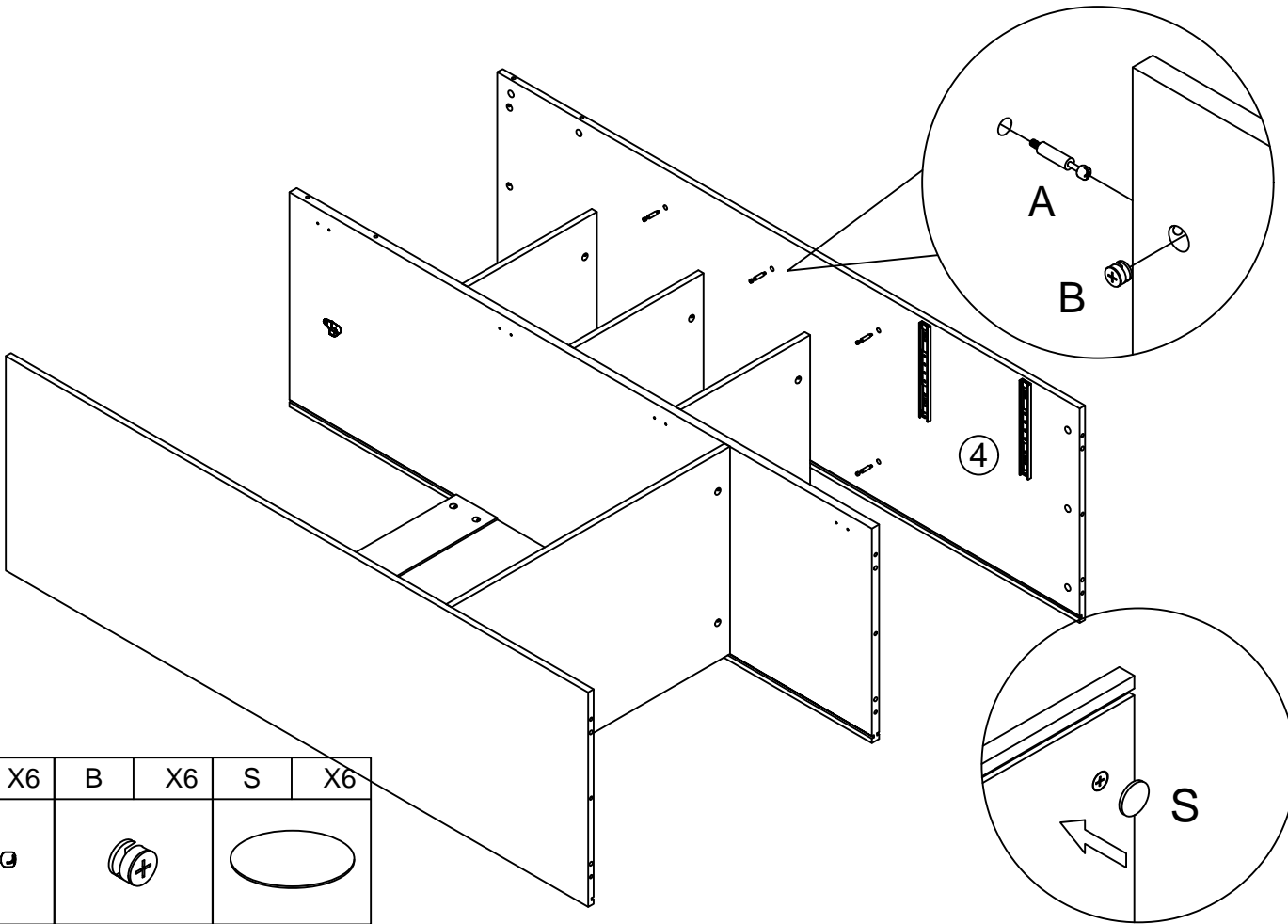
8



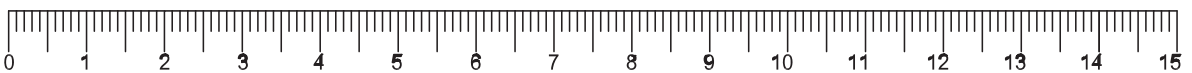
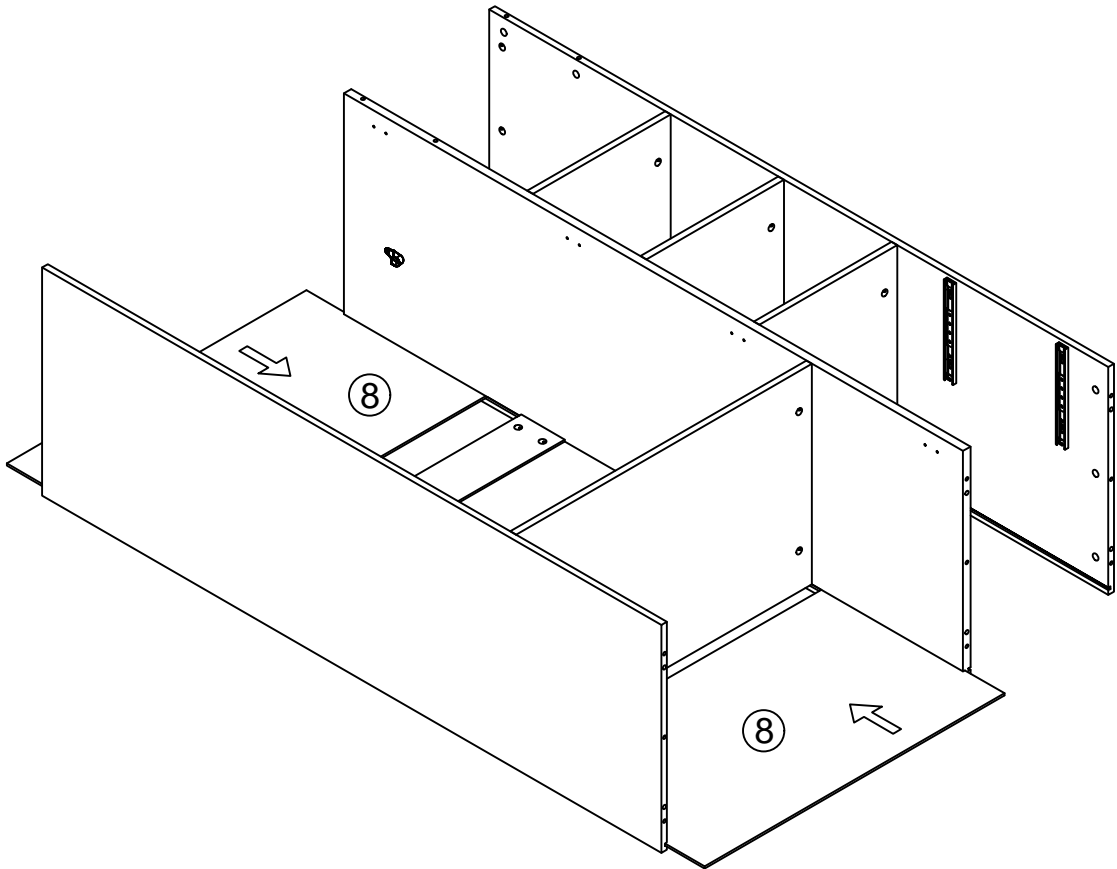
A	X6	B	X6	C	X2	M	X1	S	X6
									



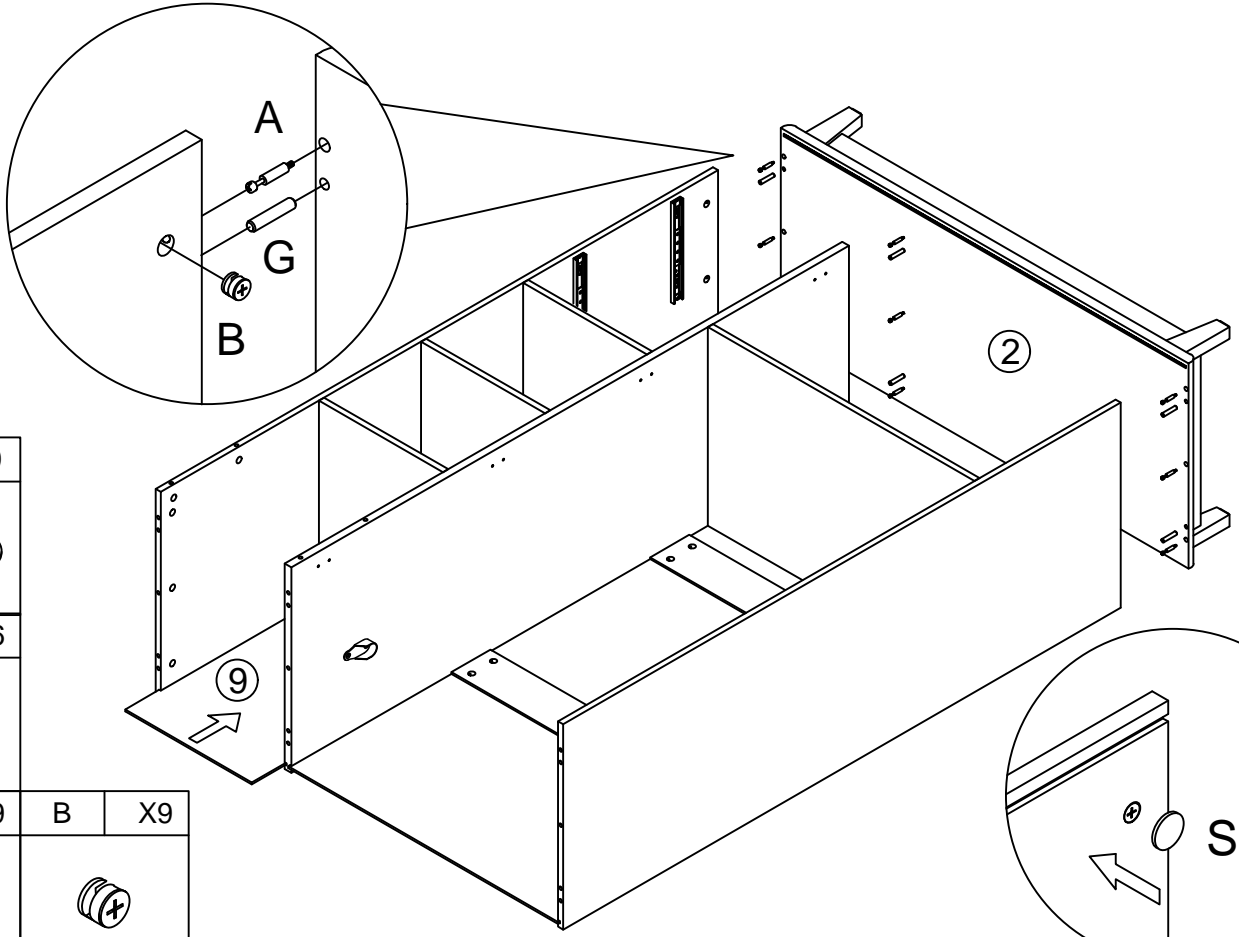
9



10



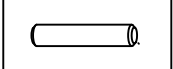
11



S X9

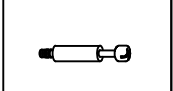


G X6

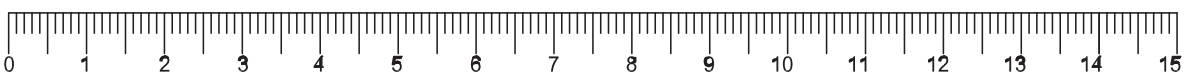
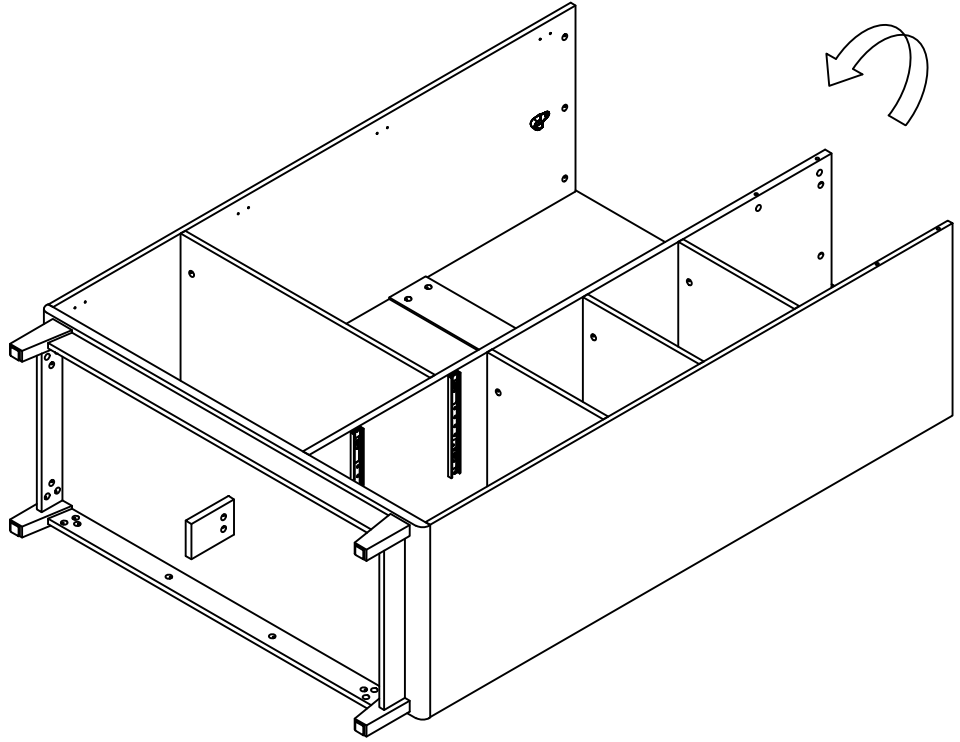


A X9

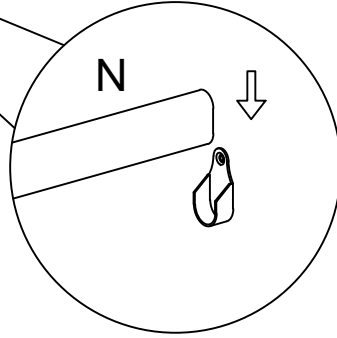
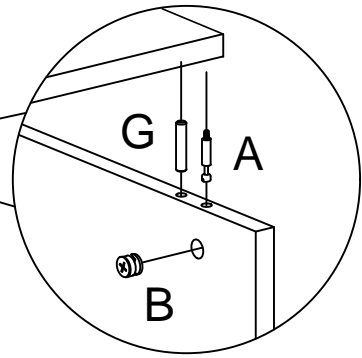
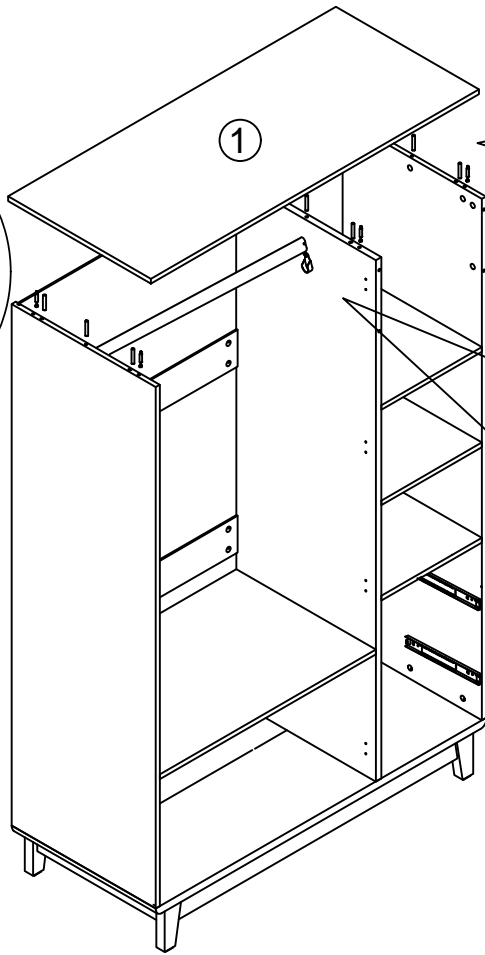
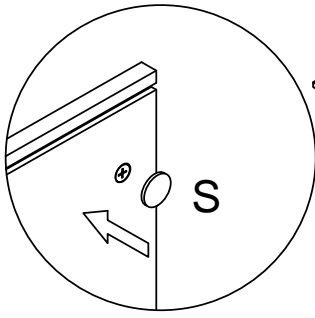
B X9



12



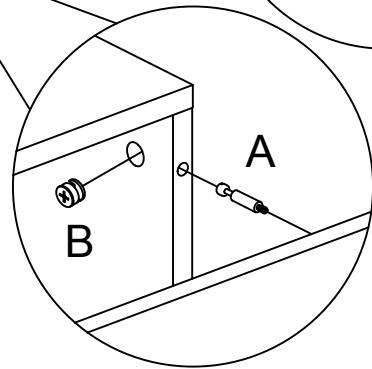
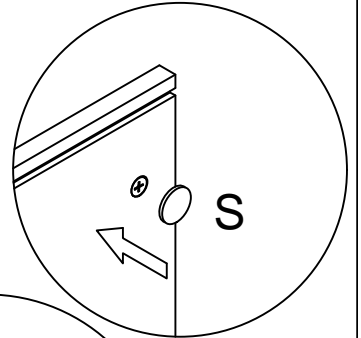
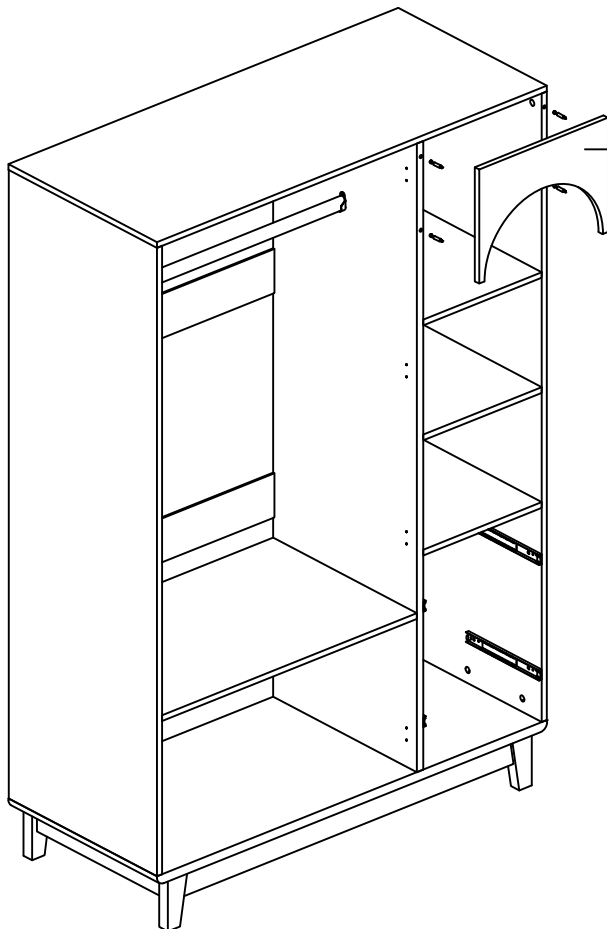
13



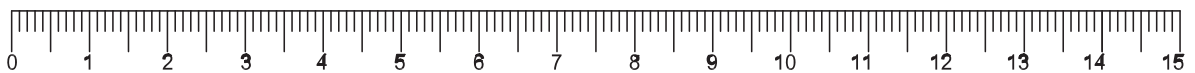
S	X9

A	X9	B	X9	G	X6	N	X1

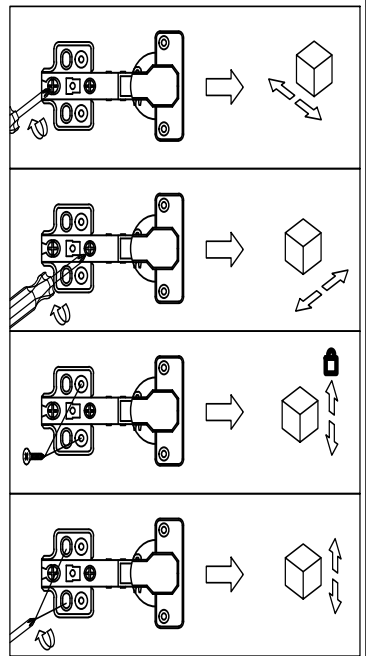
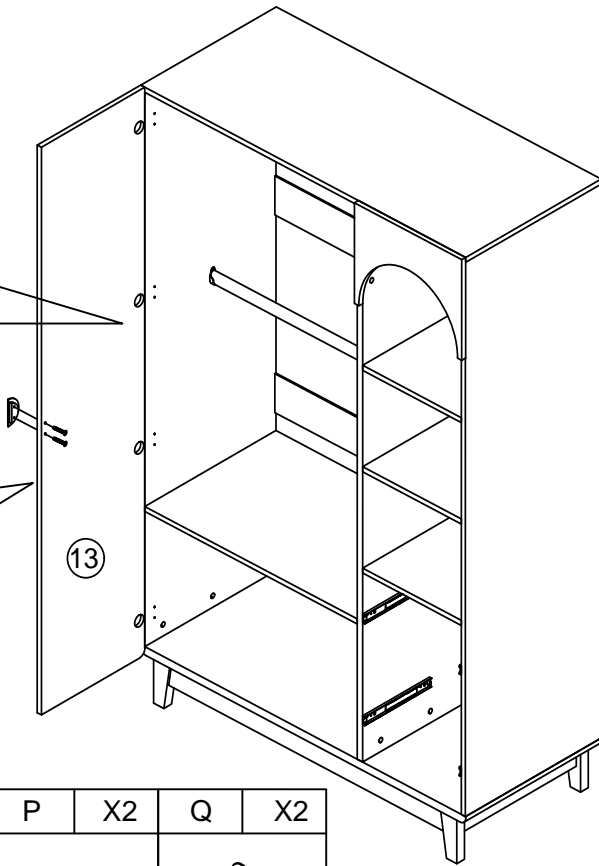
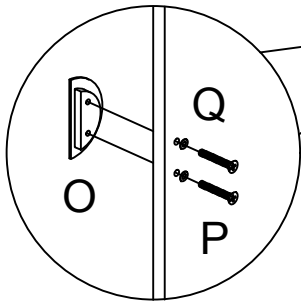
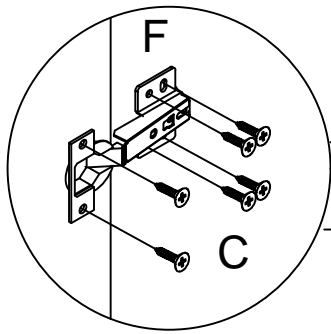
14



A	X4	B	X4	S	X4

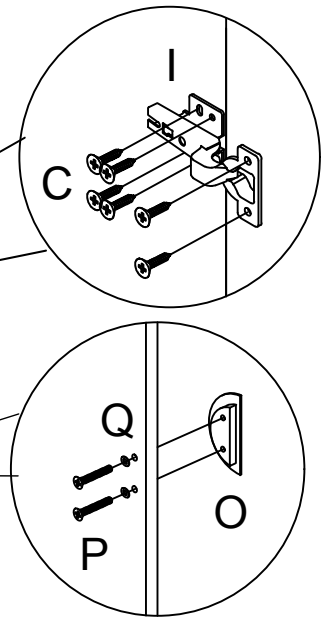
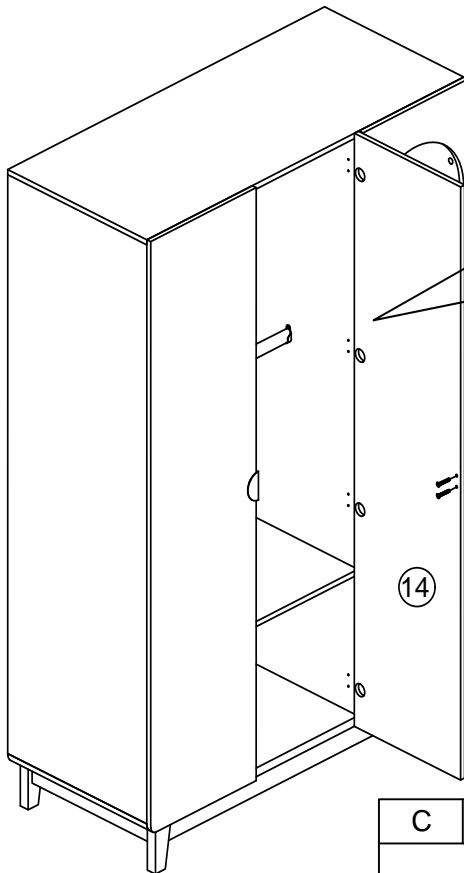
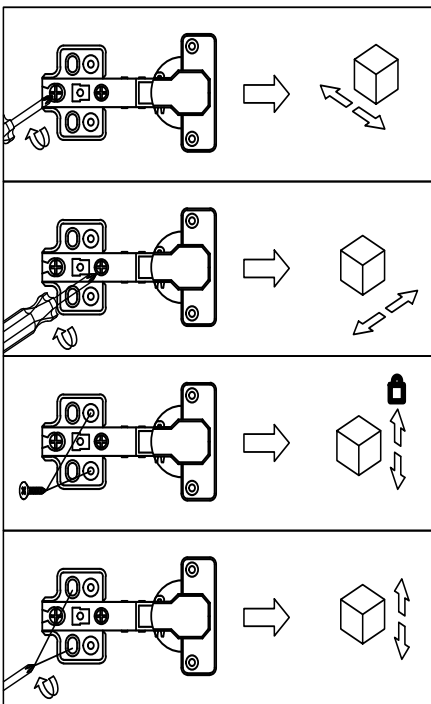


15

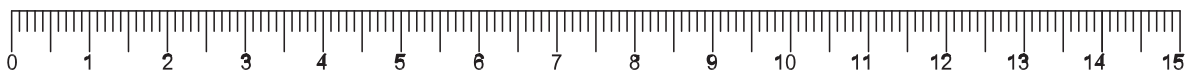


C	X24	F	X4	O	X1	P	X2	Q	X2
									M4

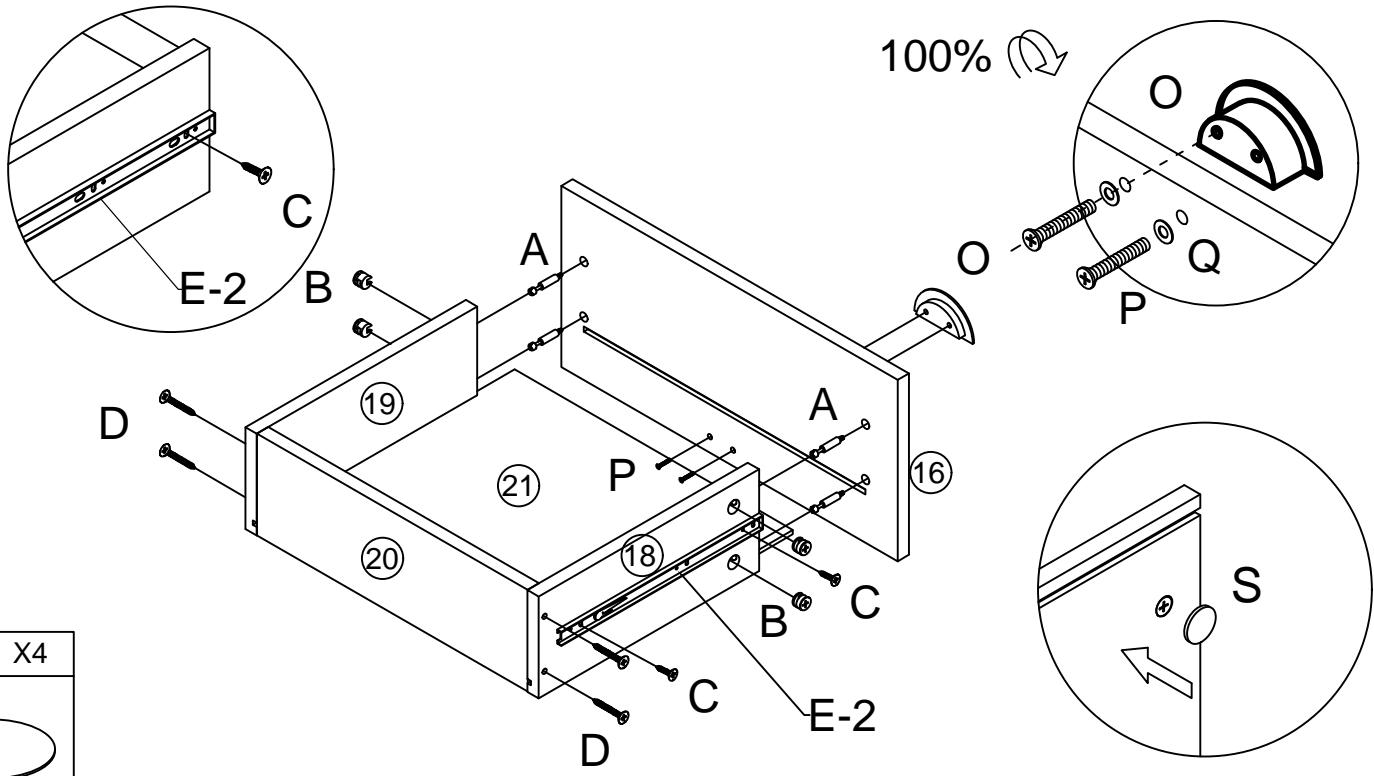
16



C	X24	I	X4	O	X1	P	X2	Q	X2
									M4



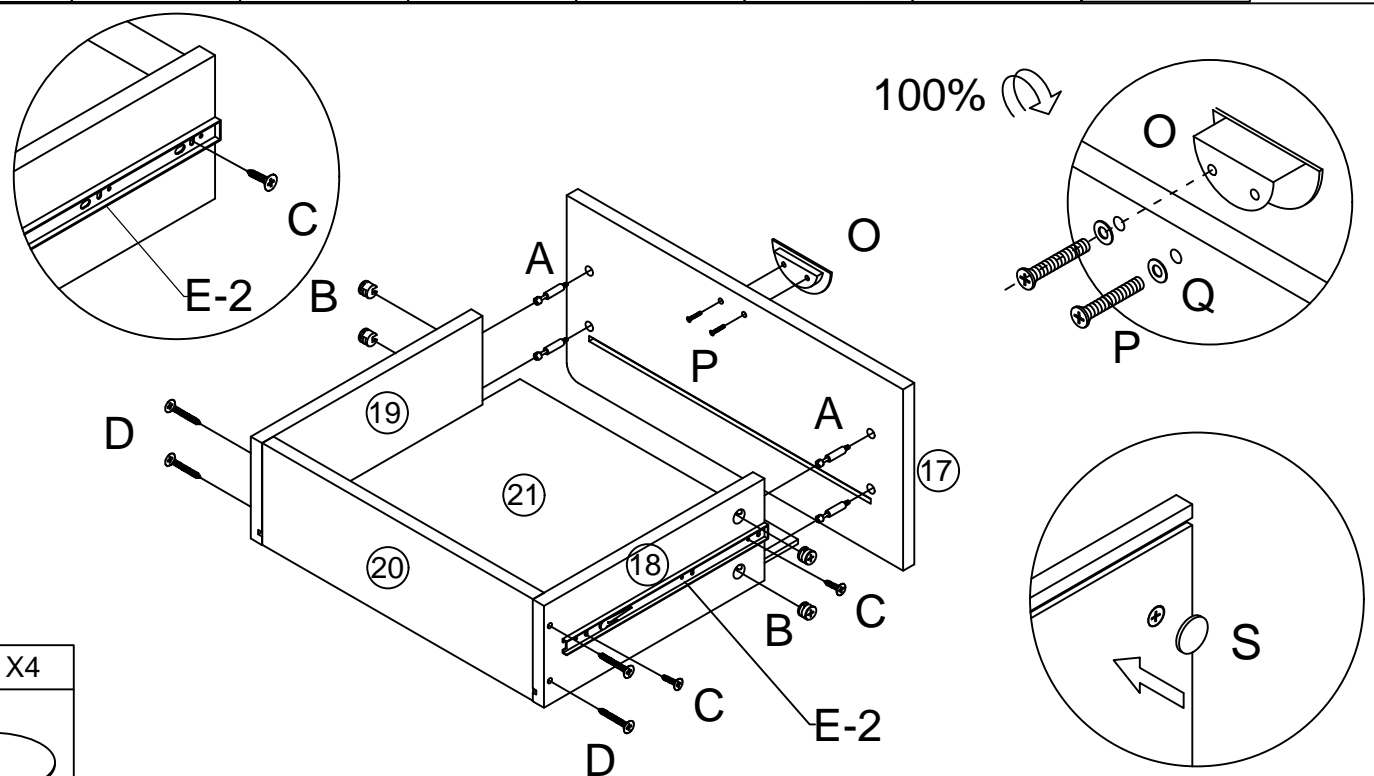
17



S	X4

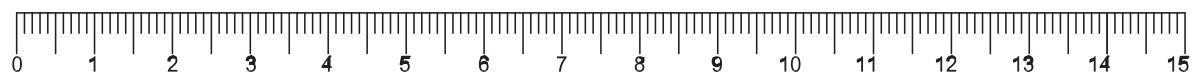
A	X4	B	X4	C	X4	D	X4	E-2	X2	O	X1	P	X2	Q	X2

18

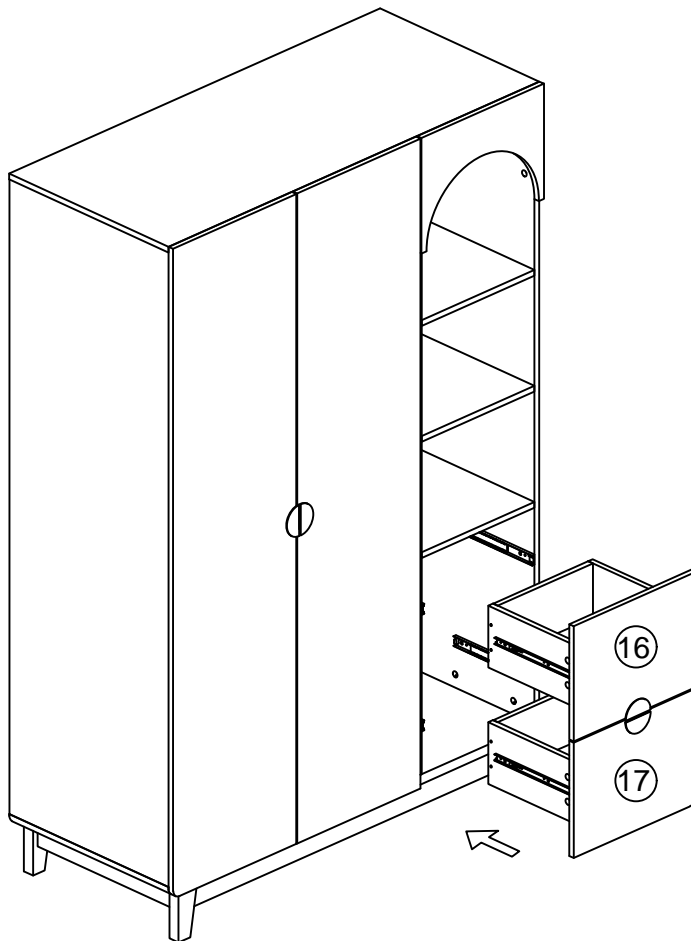


S	X4

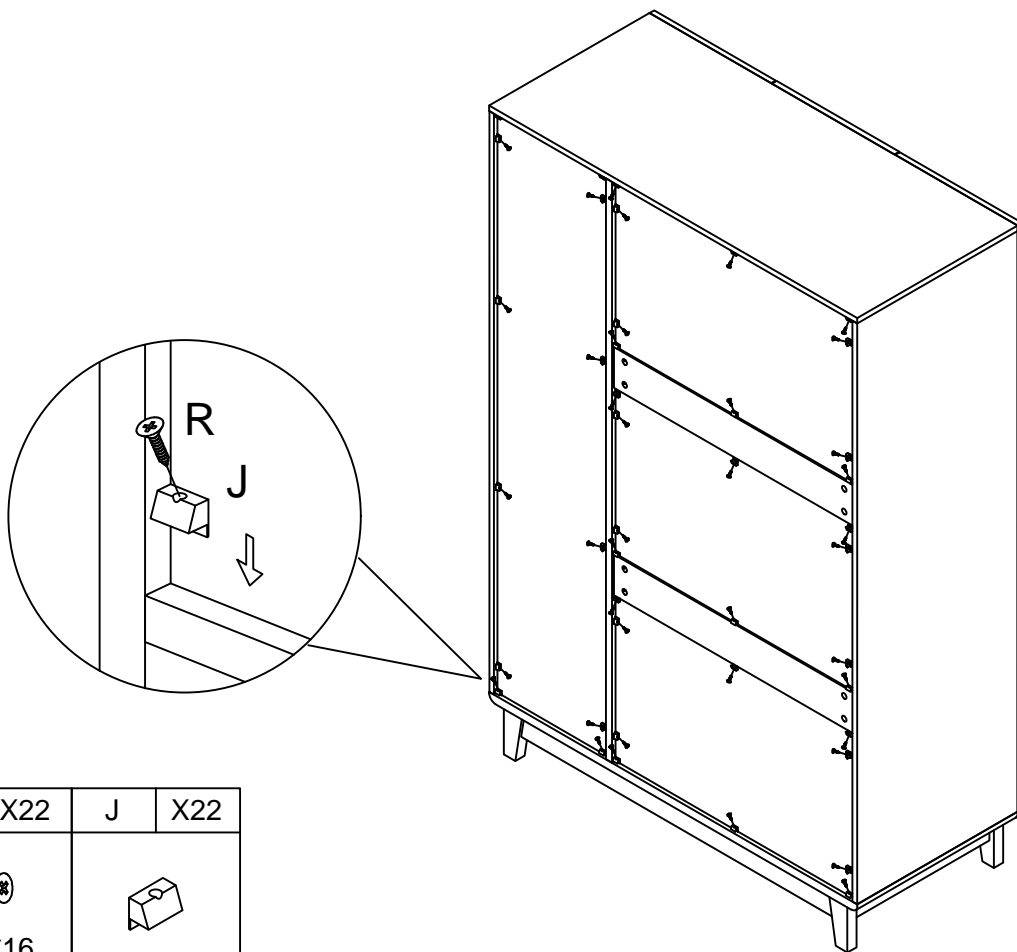
A	X4	B	X4	C	X4	D	X4	E-2	X2	O	X1	P	X2	Q	X2





19



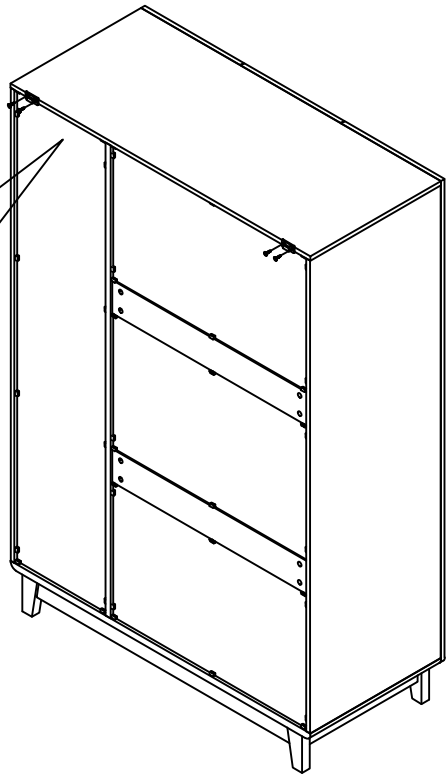
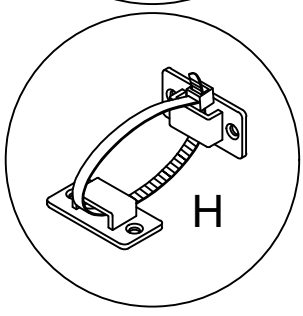
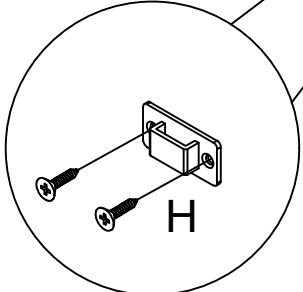
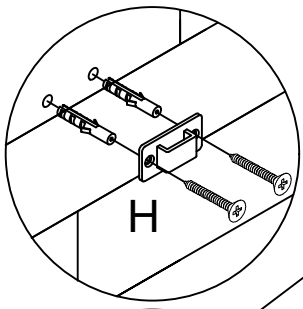
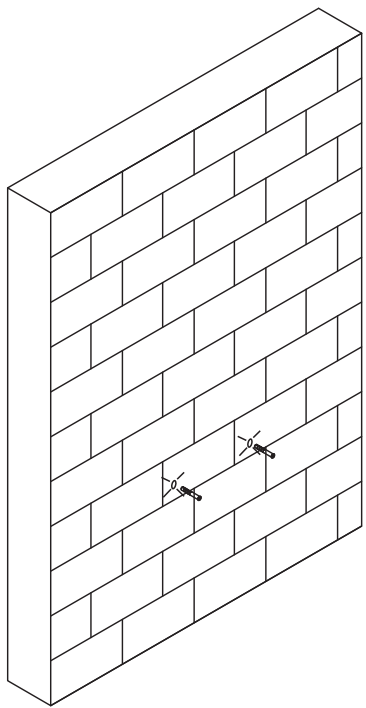
20







R	X22	J	X22
			
3*16			



21



H	X4	H	X2	H	X4	H	X4
							
							3.5*45

22

