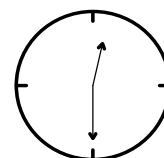
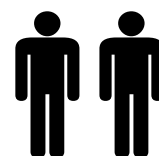
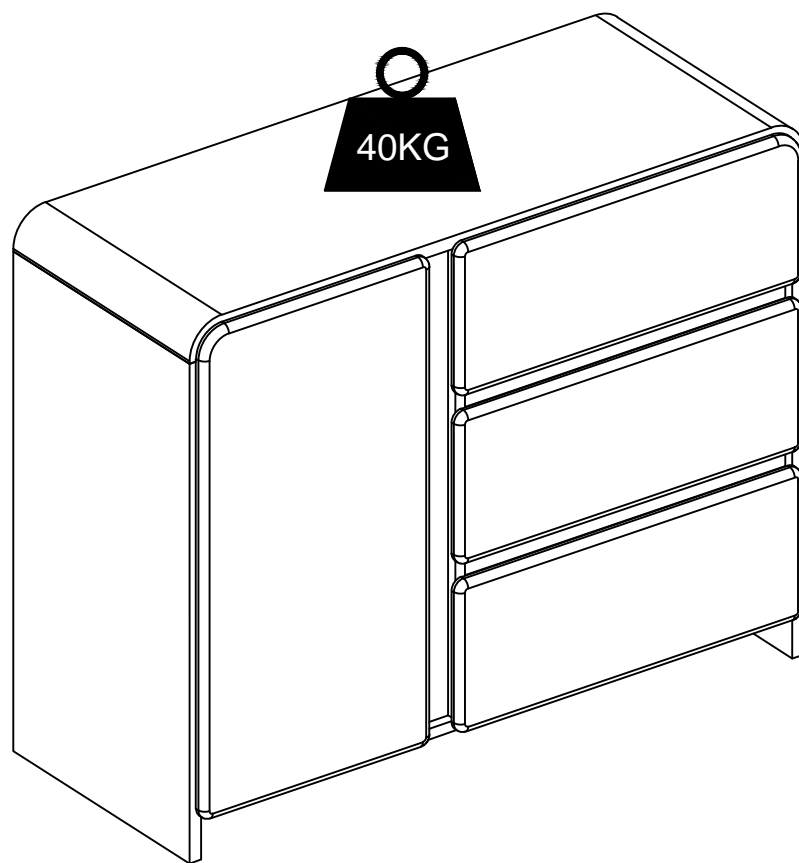


04890171-01

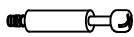



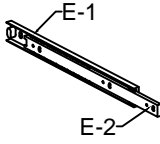
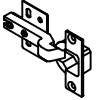
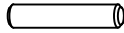
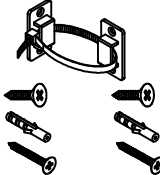

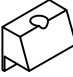


ELIO



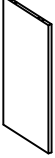






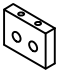



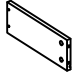
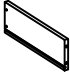

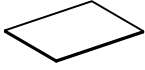
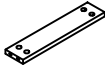
BDSK Handels GmbH & Co. KG
Mergentheimer Straße 59
DE-97084 Würzburg
Germany
E-Mail: info@moemax.at



30min

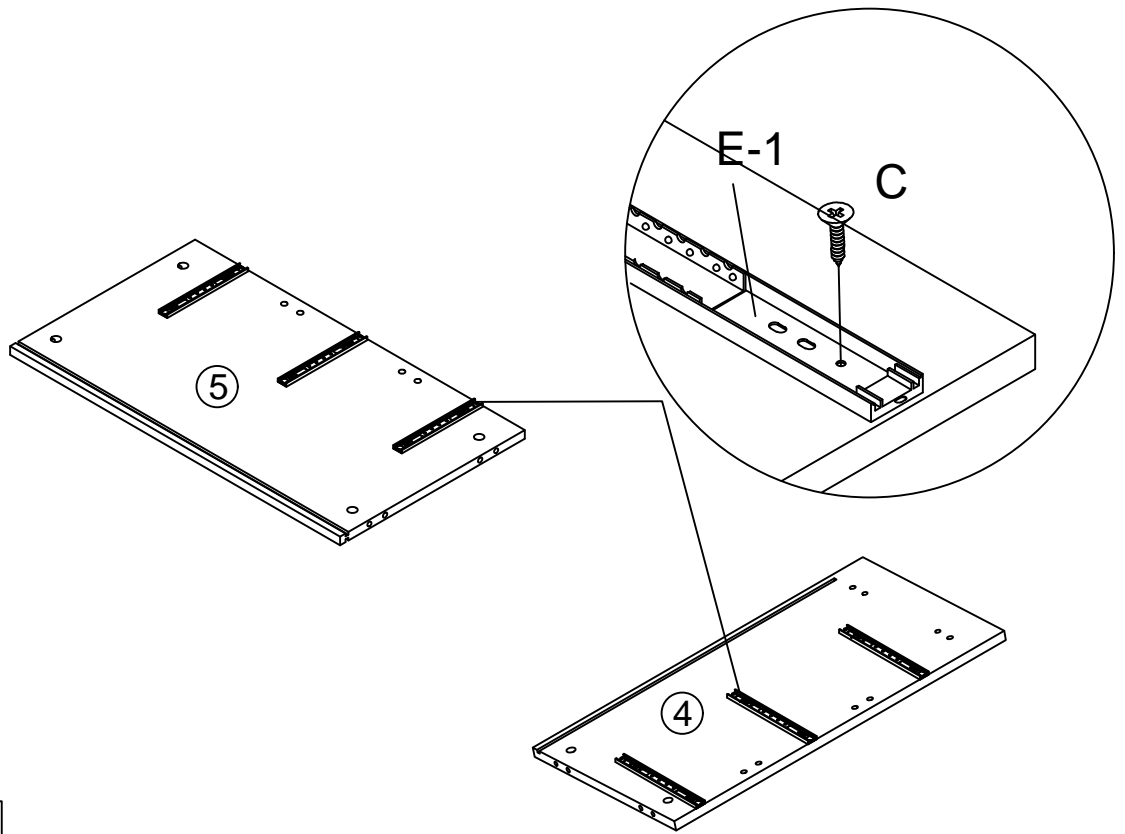



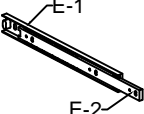
A	X49	B	X49	C	X36	D	X12	E	X6	F	X2
				 3.5*14		 3.5*35		 E-1 E-2			
G	X16	H	X2	I	X20	J	X20	K	X49	L	X8
				 3*16						 φ12*4	

①	X1	②	X1	③	X1	④	X1	⑤	X1	⑥	X2
											
⑦	X1	⑧	X1	⑨	X1	⑩	X1	⑪	X1	⑫	X1
											
⑬	X2	⑭	X3	⑮	X3	⑯	X3	⑰	X3	⑱	X3
											

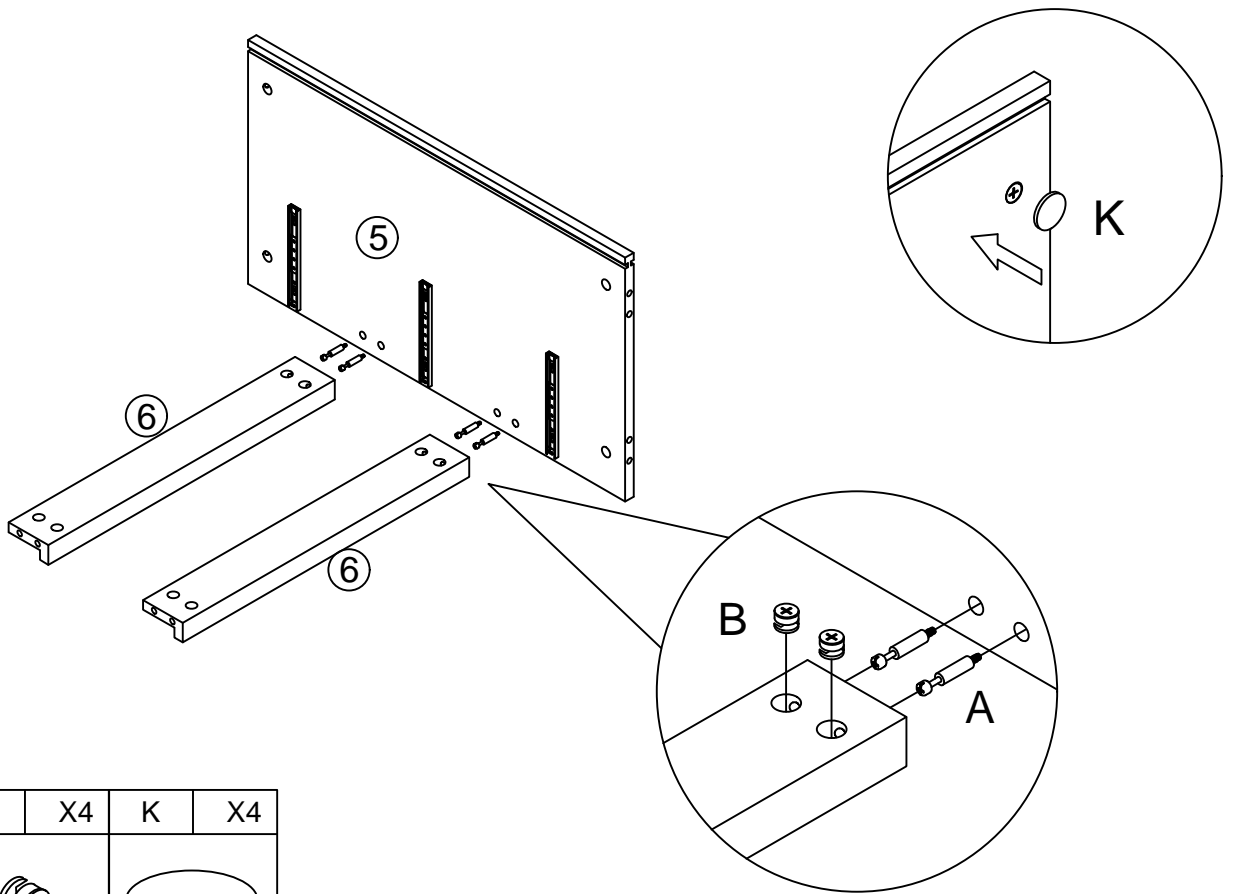


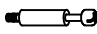


1

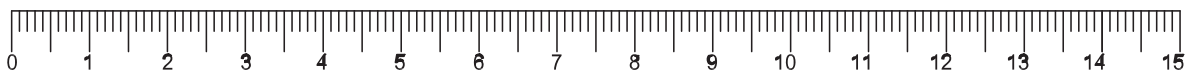


C	X12	E-1	X6
			
3.5*14		E-2	

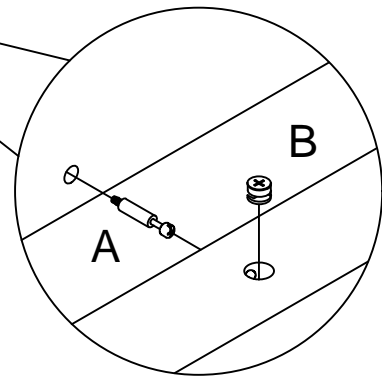
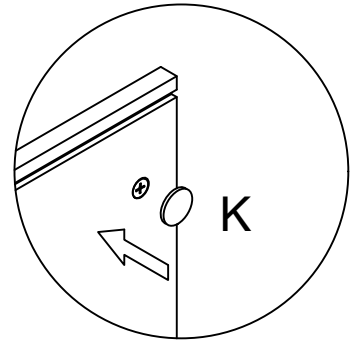
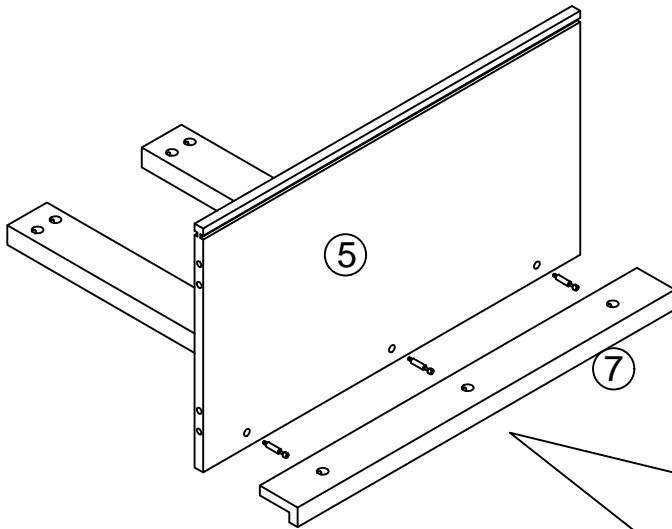
2

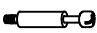




A	X4	B	X4	K	X4
					

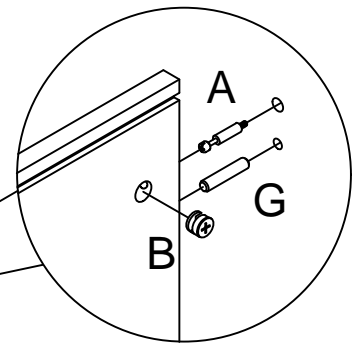
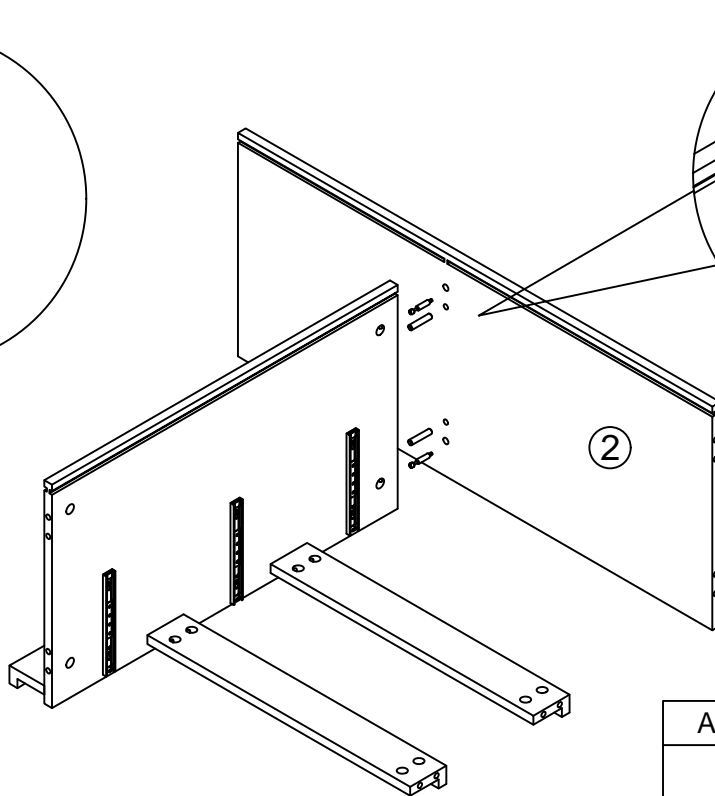
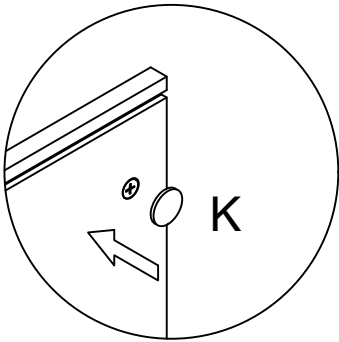



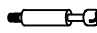

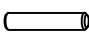
3

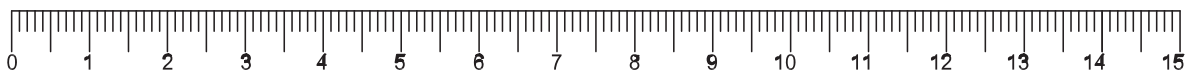


A	X3	B	X3	K	X3
					

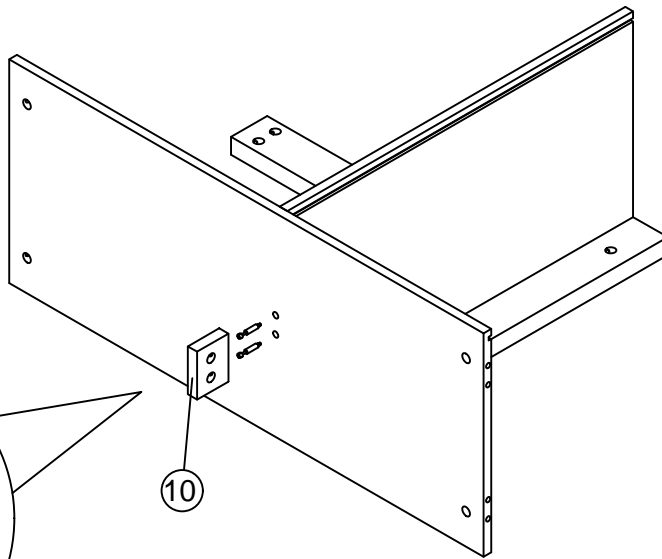
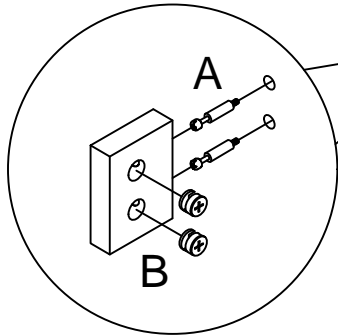
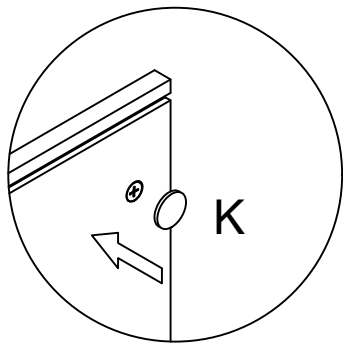
4

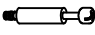




		K	X2		
					
A	X2	B	X2	G	X4
					

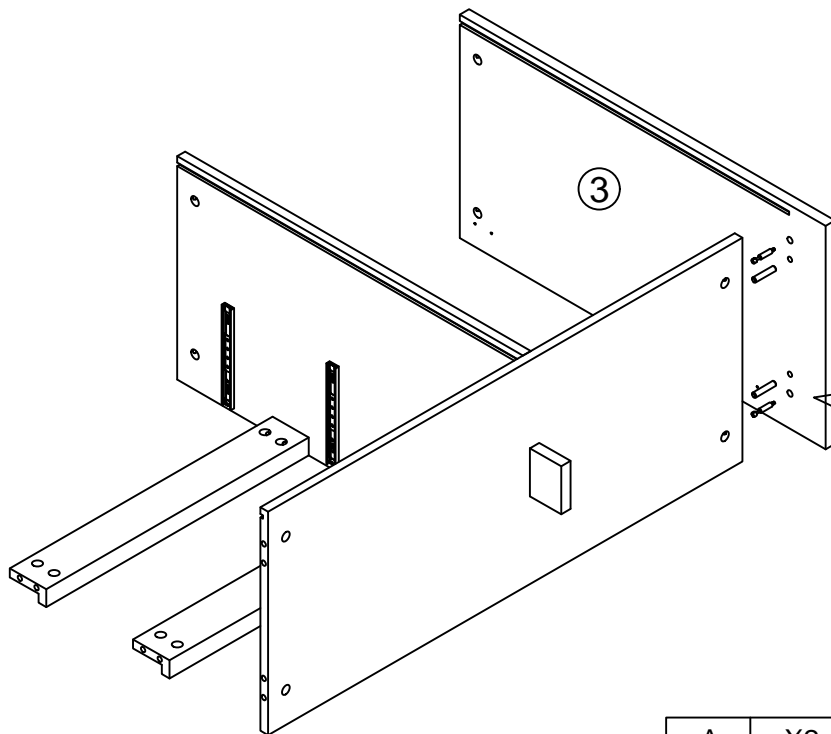
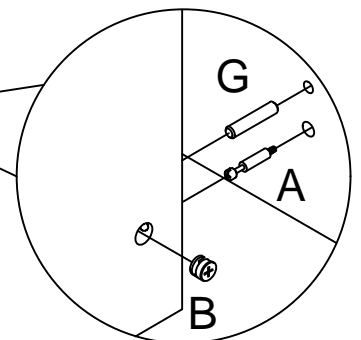
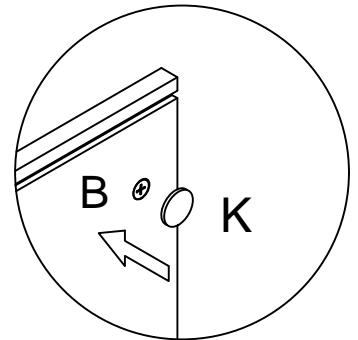


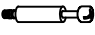

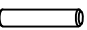

5

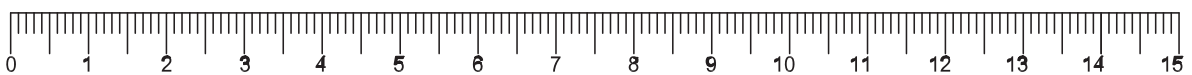


A	X2	B	X2	K	X2
					

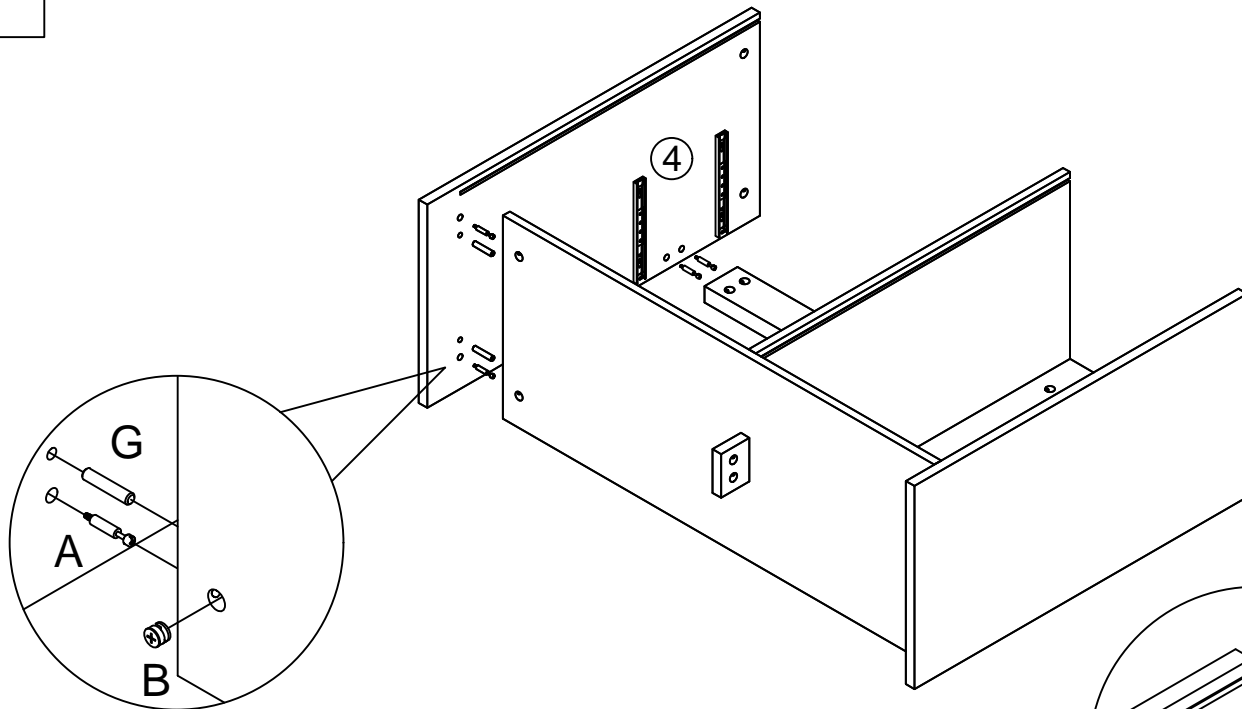
6

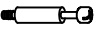

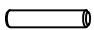



A	X2	B	X2	G	X2	K	X2
							

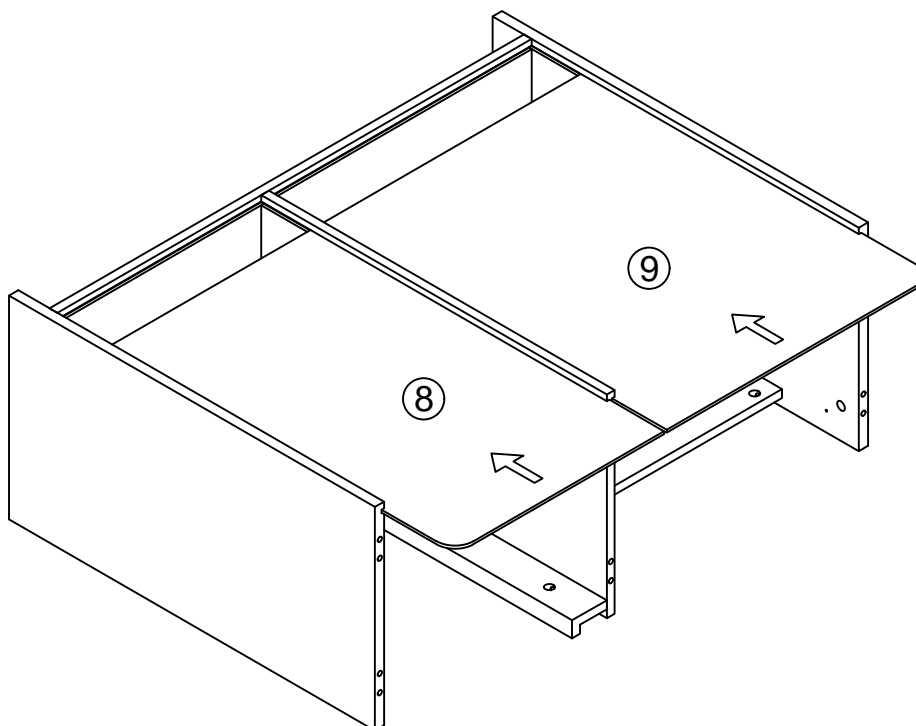


7

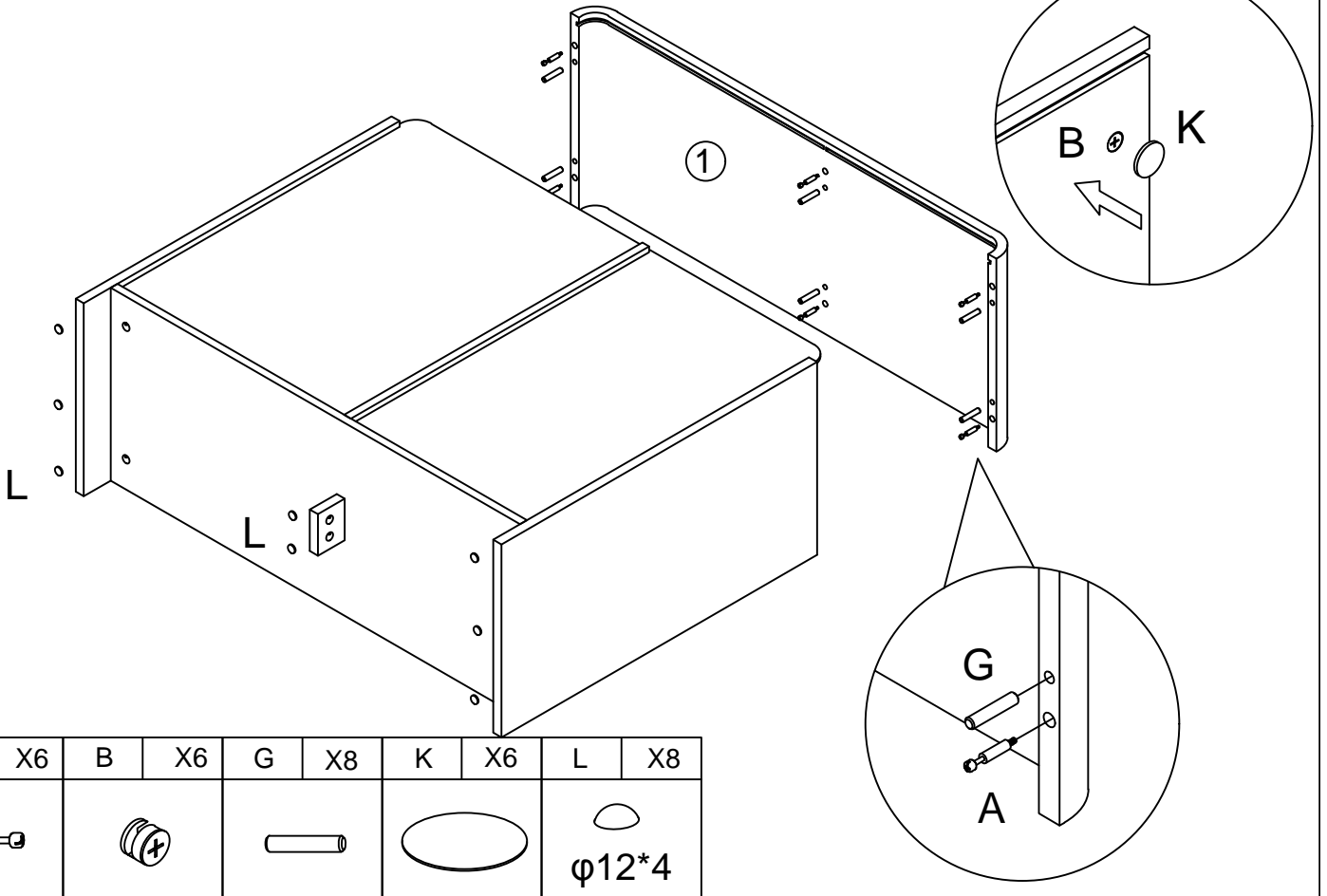


A	X6	B	X6	G	X2	K	X6
							

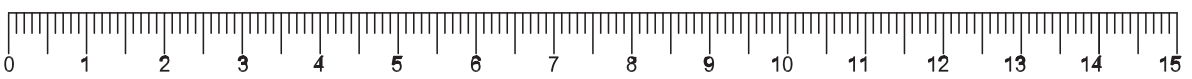
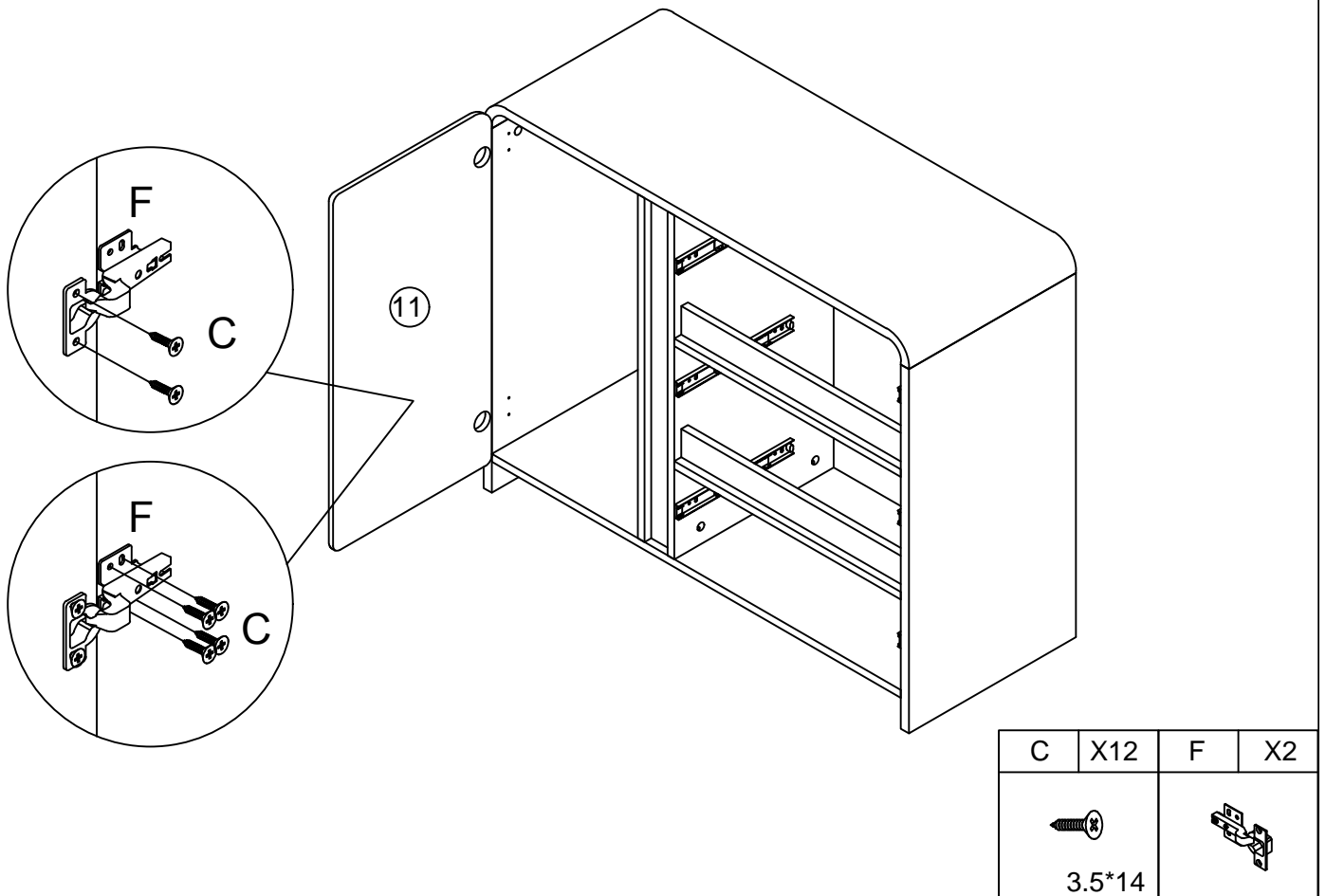
8



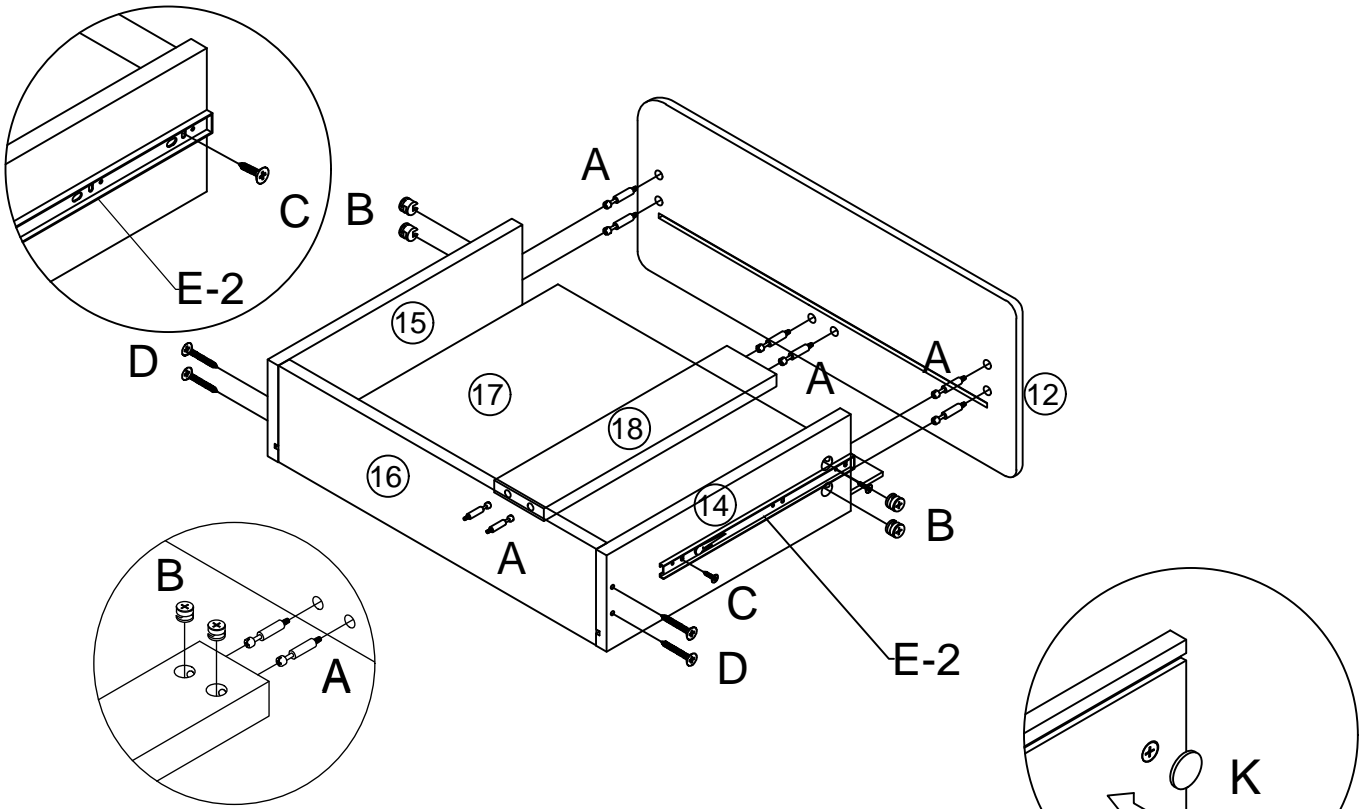
9



10

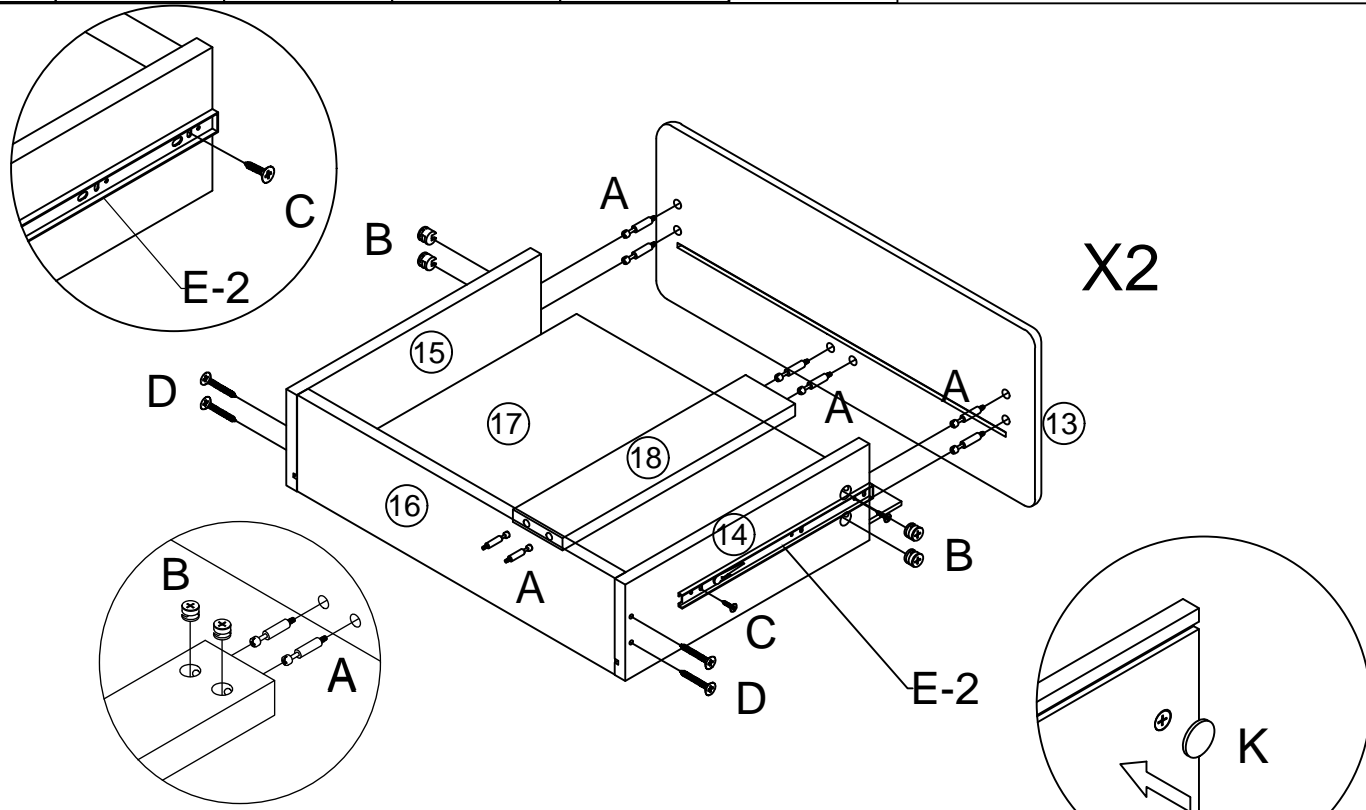


11

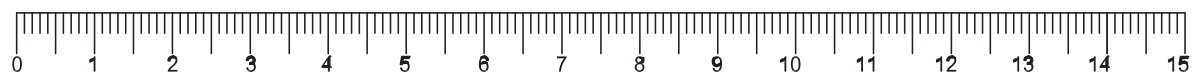


A	X8	B	X8	C	X4	D	X4	E-2	X2	K	X8
				3.5*14		3.5*35		E-1 E-2			

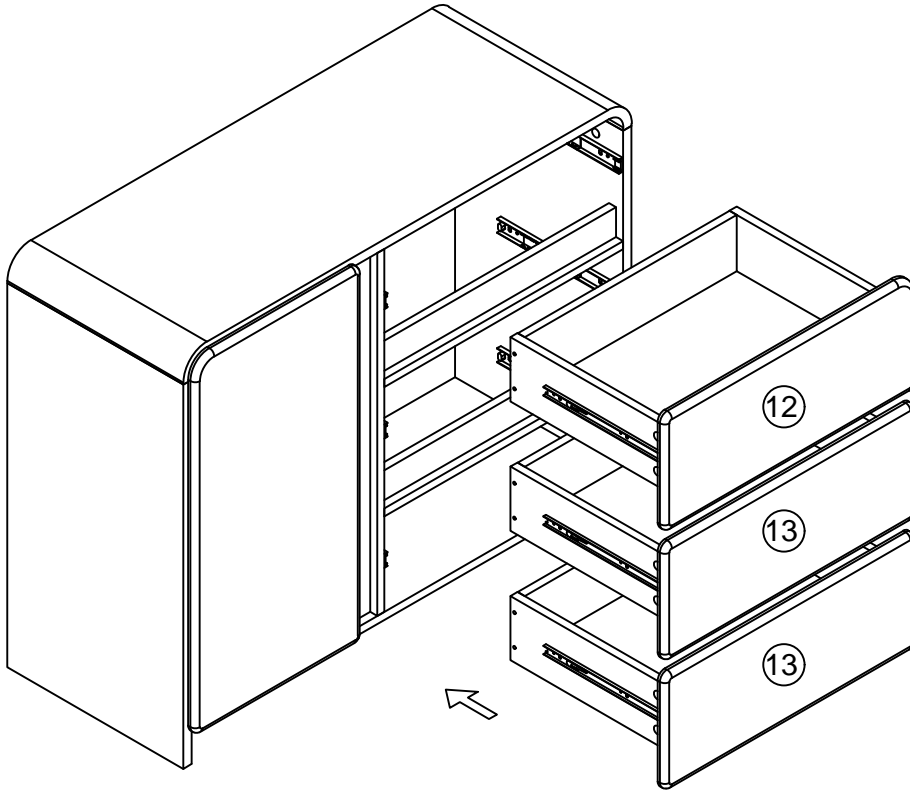
12



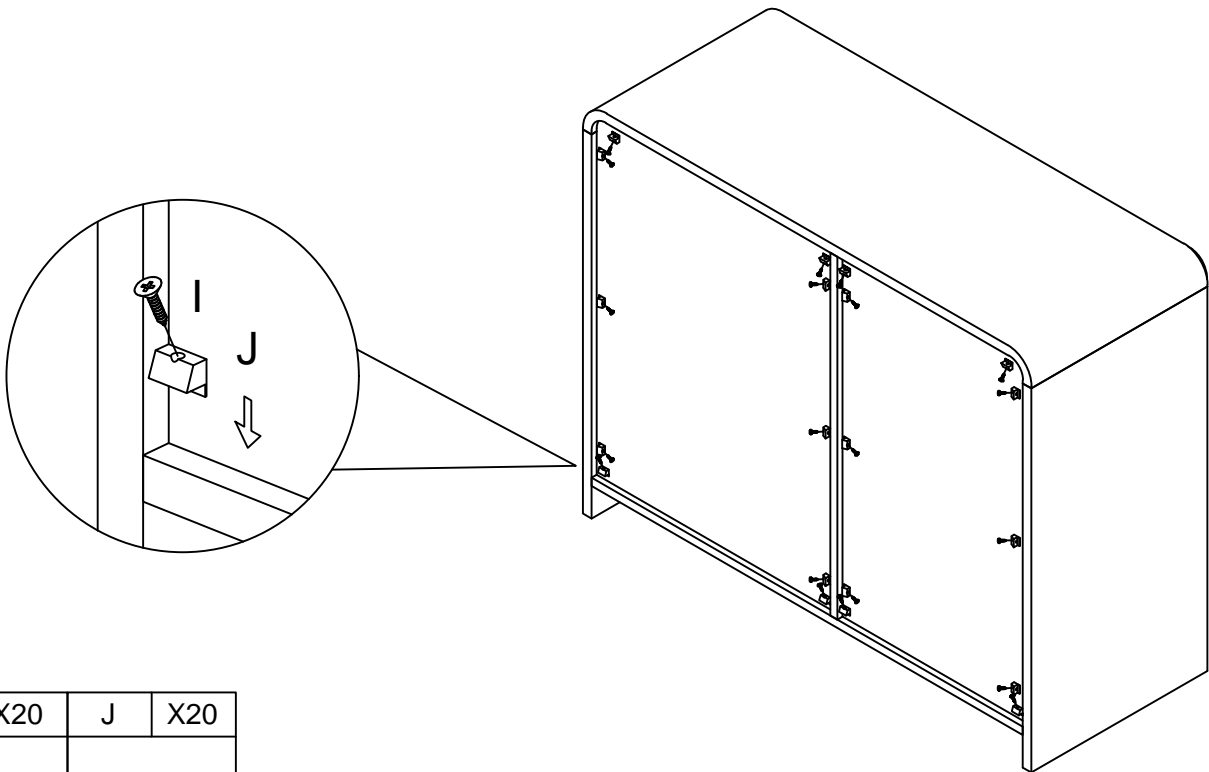
A	X16	B	X16	C	X8	D	X8	E-2	X4	K	X16
				3.5*14		3.5*35		E-1 E-2			





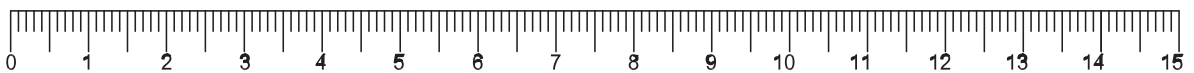
13



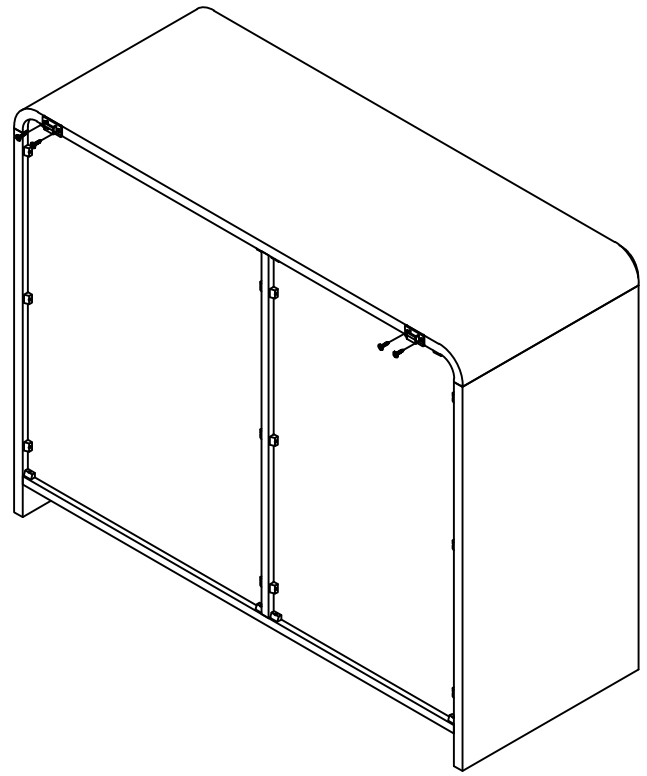
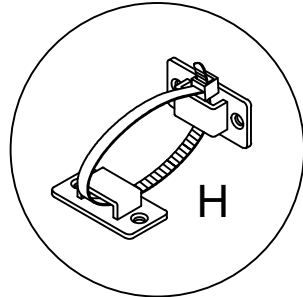
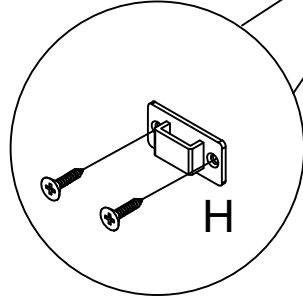
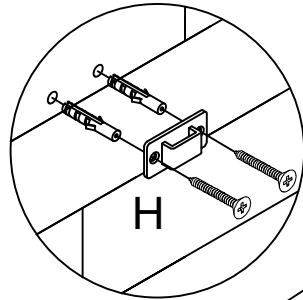
14







I	X20	J	X20
			
3*16			



15



H	X4	H	X2	H	X4	H	X4
							
							3.5*45

16

