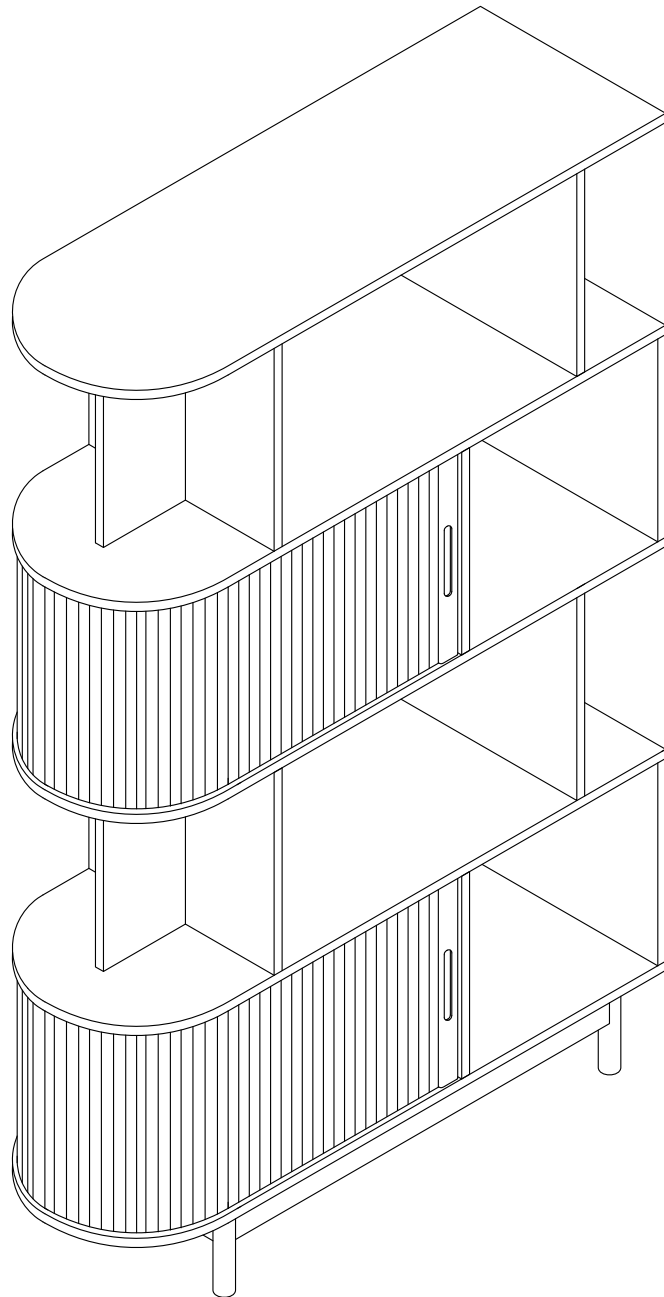
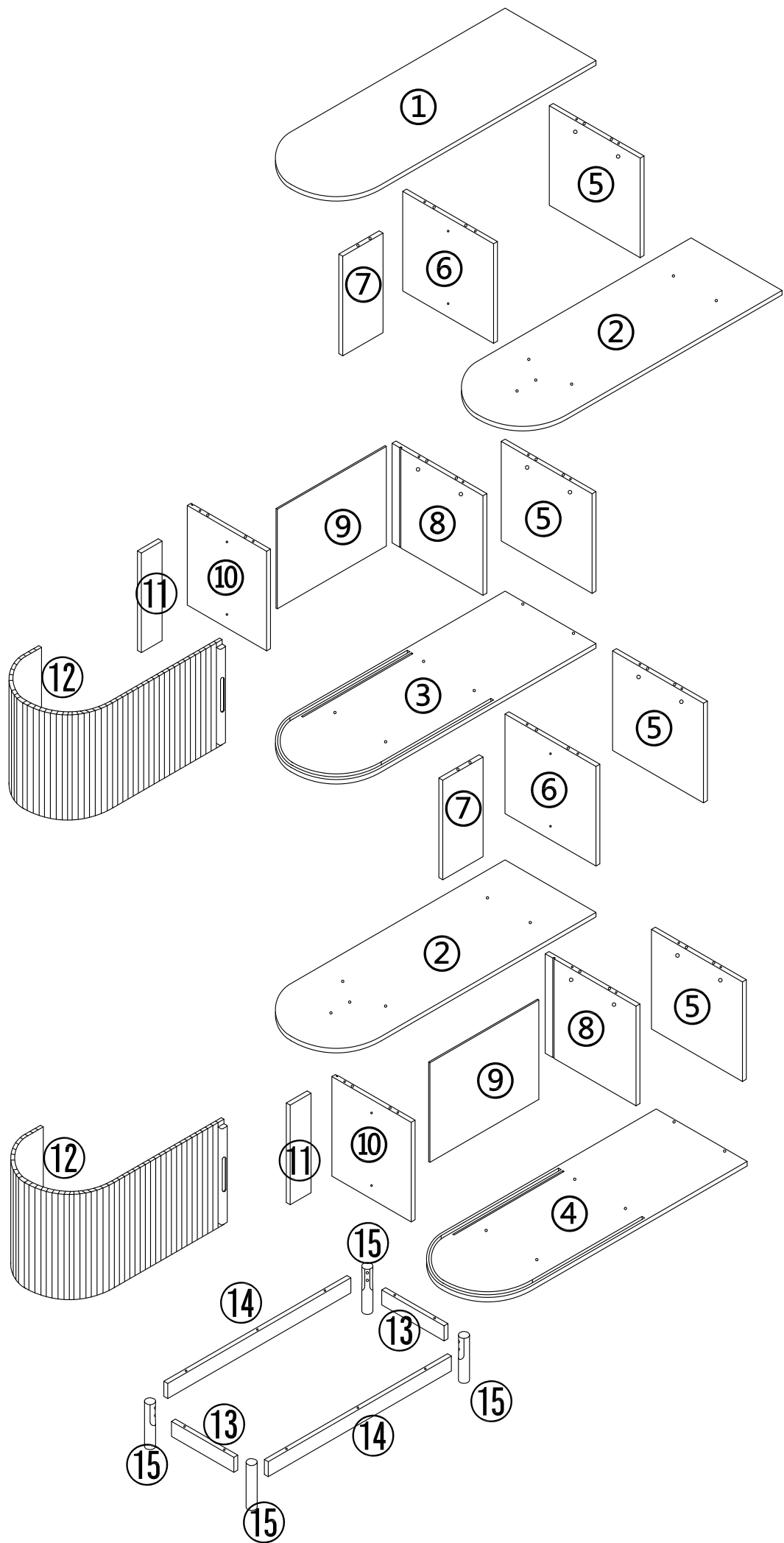
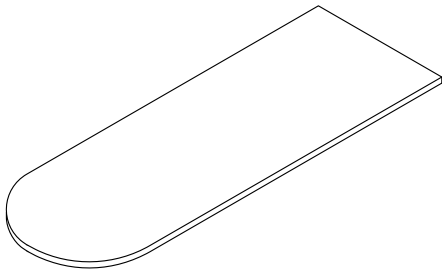


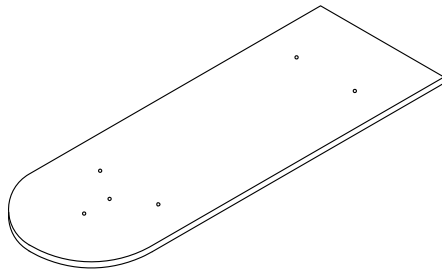
Installation Instruction



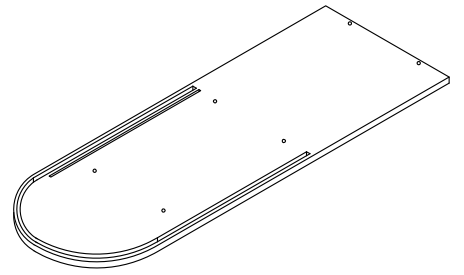




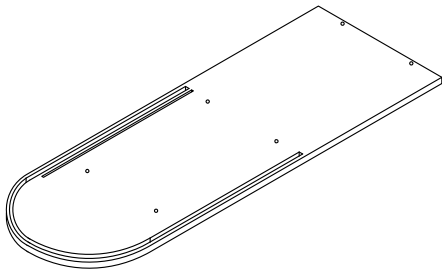
①x1



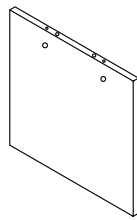
②x2



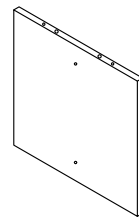
③x1



④x1



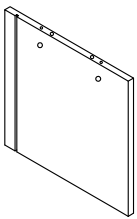
⑤x4



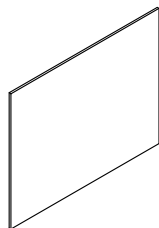
⑥x2



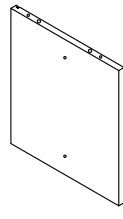
⑦x2



⑧x2



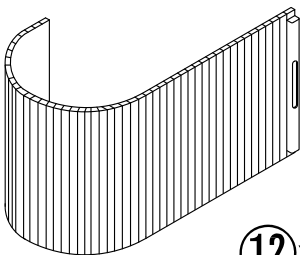
⑨x2



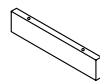
⑩x2



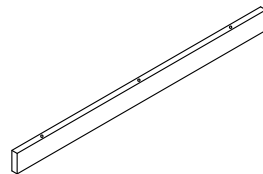
⑪x2



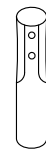
⑫x2



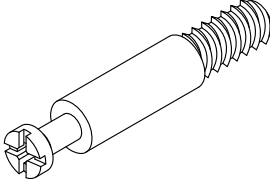
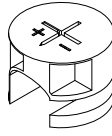
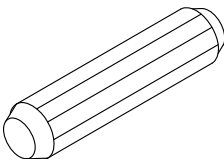
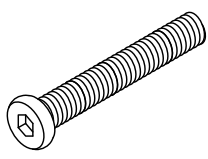
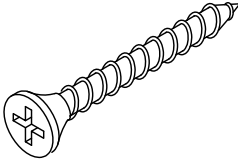
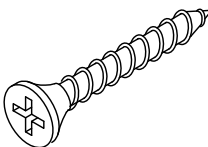
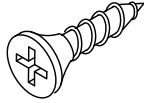
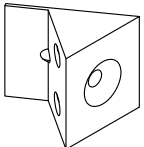
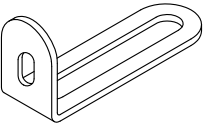
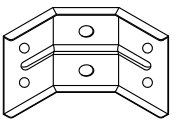
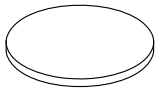
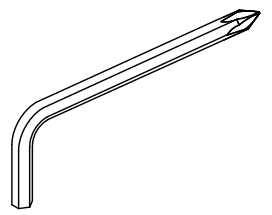
⑬x2



⑭x2



⑮x4

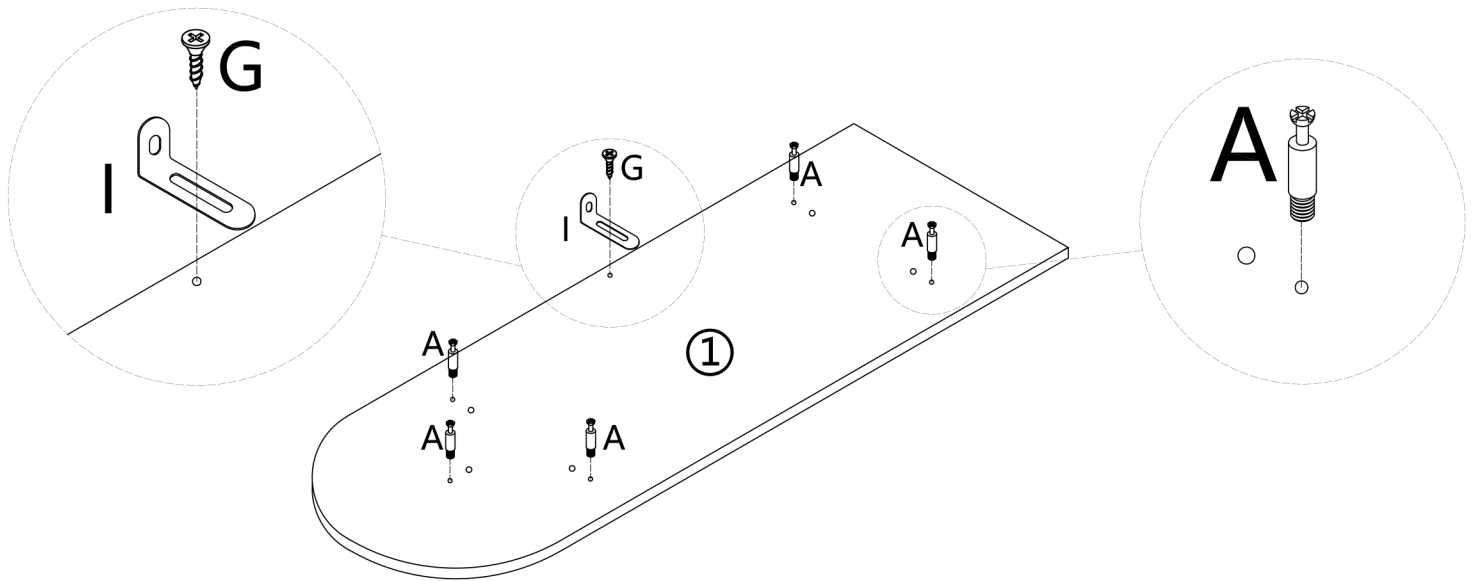
							
A	x22	B	x22	C	x22	D	x8
							
4X40mm		4X30mm		4X14mm			
E	x10	F	x32	G	x25	H	x8
							
I	x1	J	x4	K	x4	L	x1

Step1

A x5

G x1

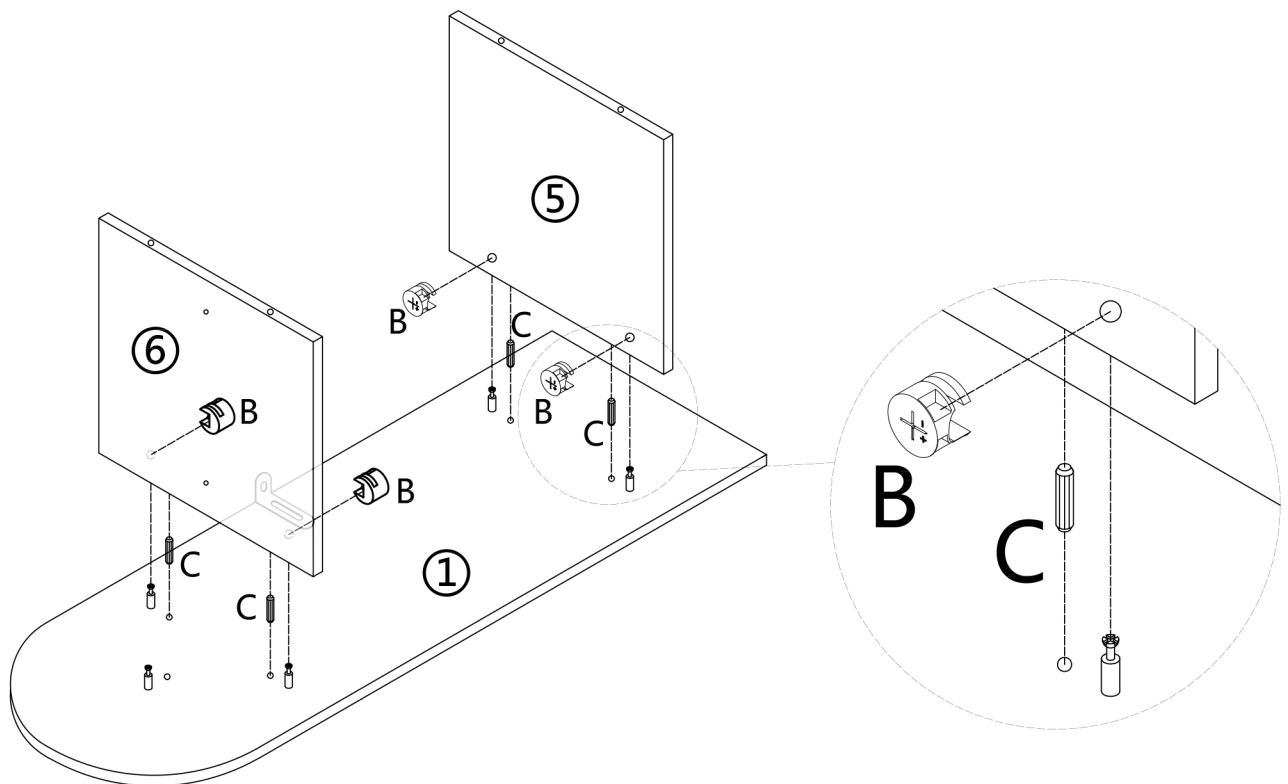
I x1



Step2

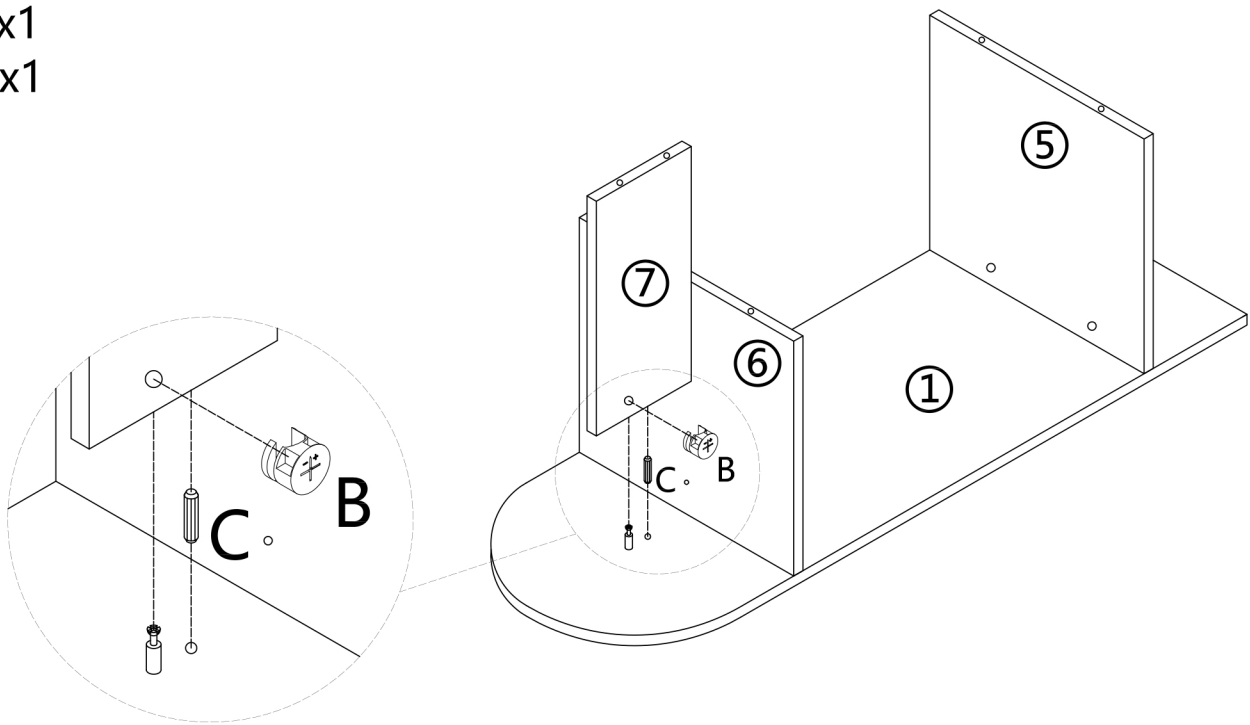
B x4

C x4



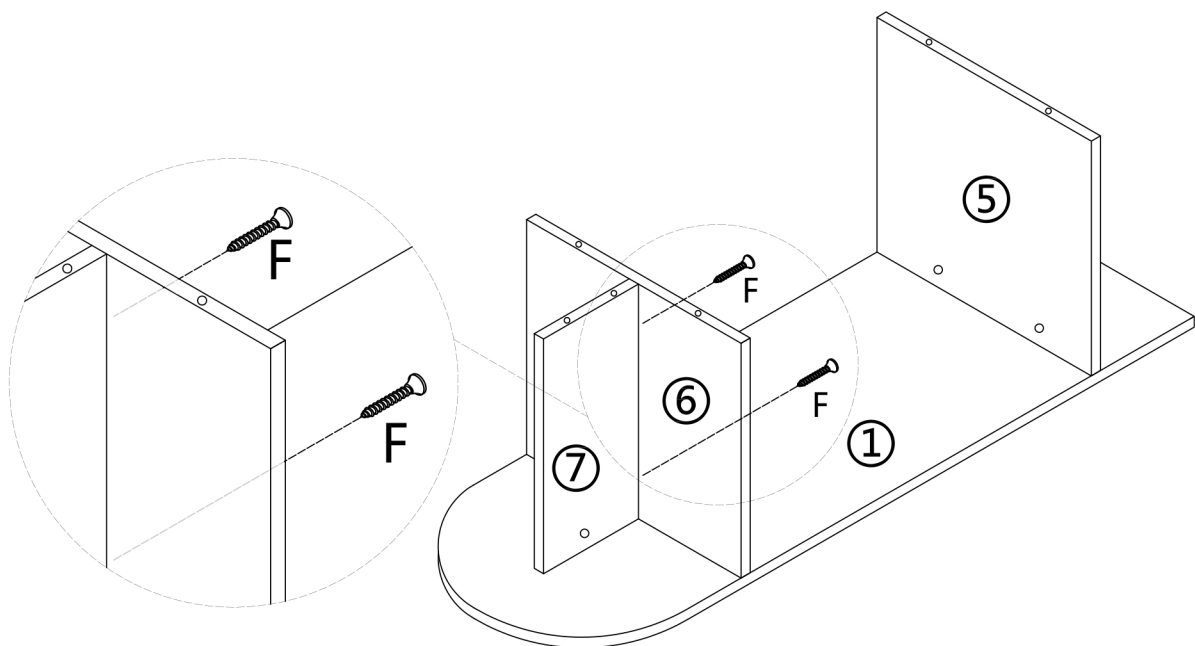
Step3

B x1
C x1



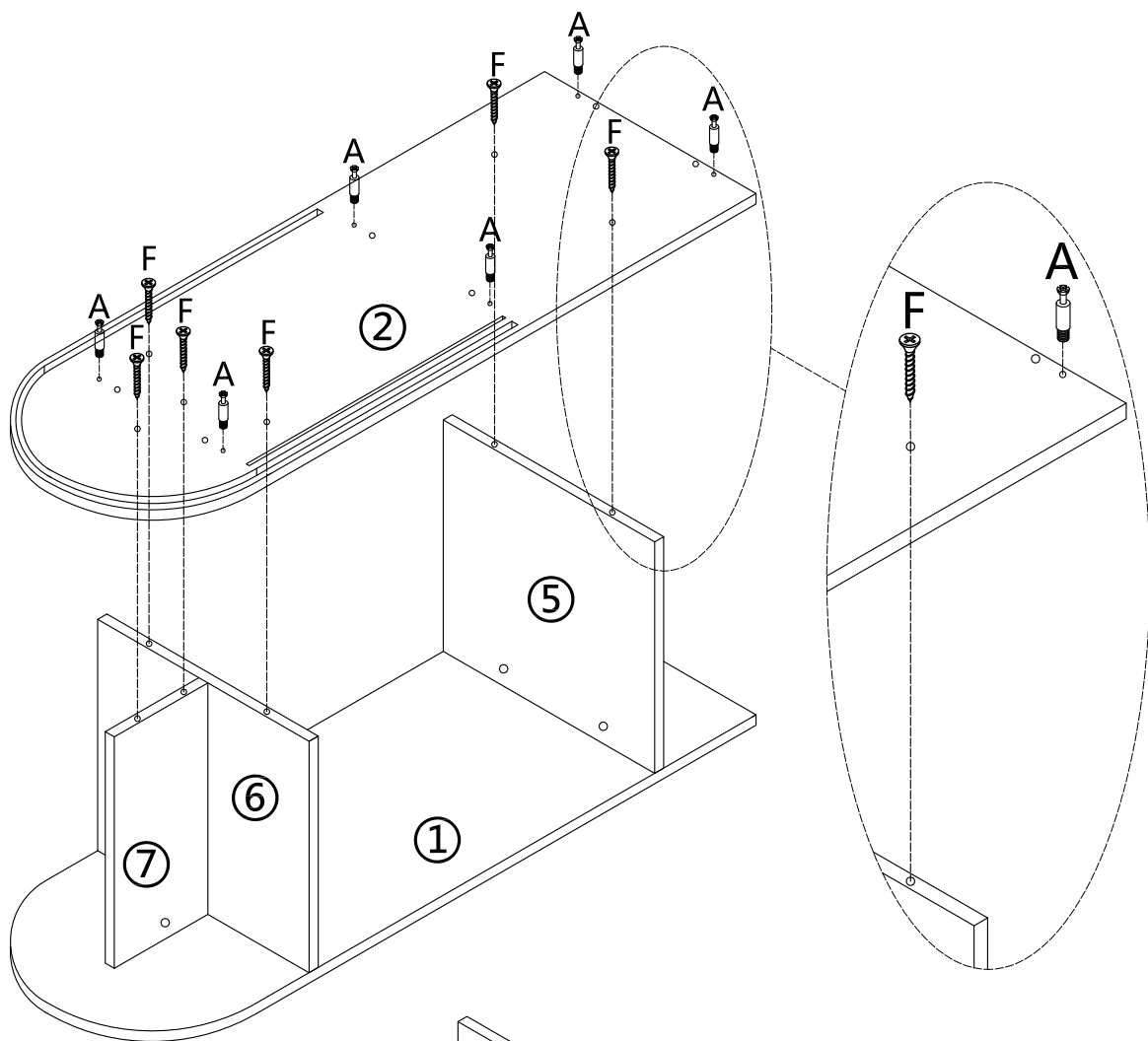
Step4

F x2



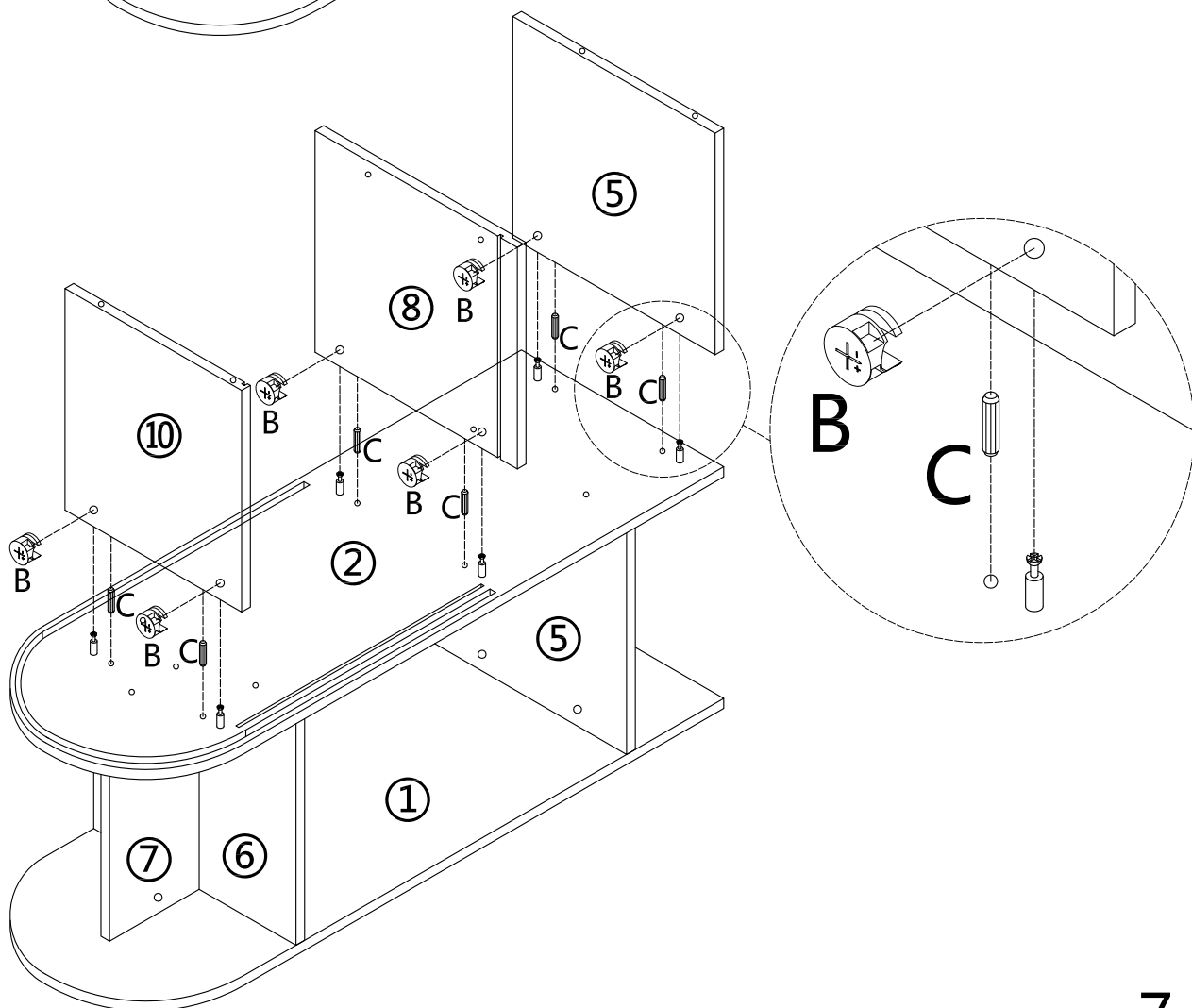
Step 5

F x6
A x6



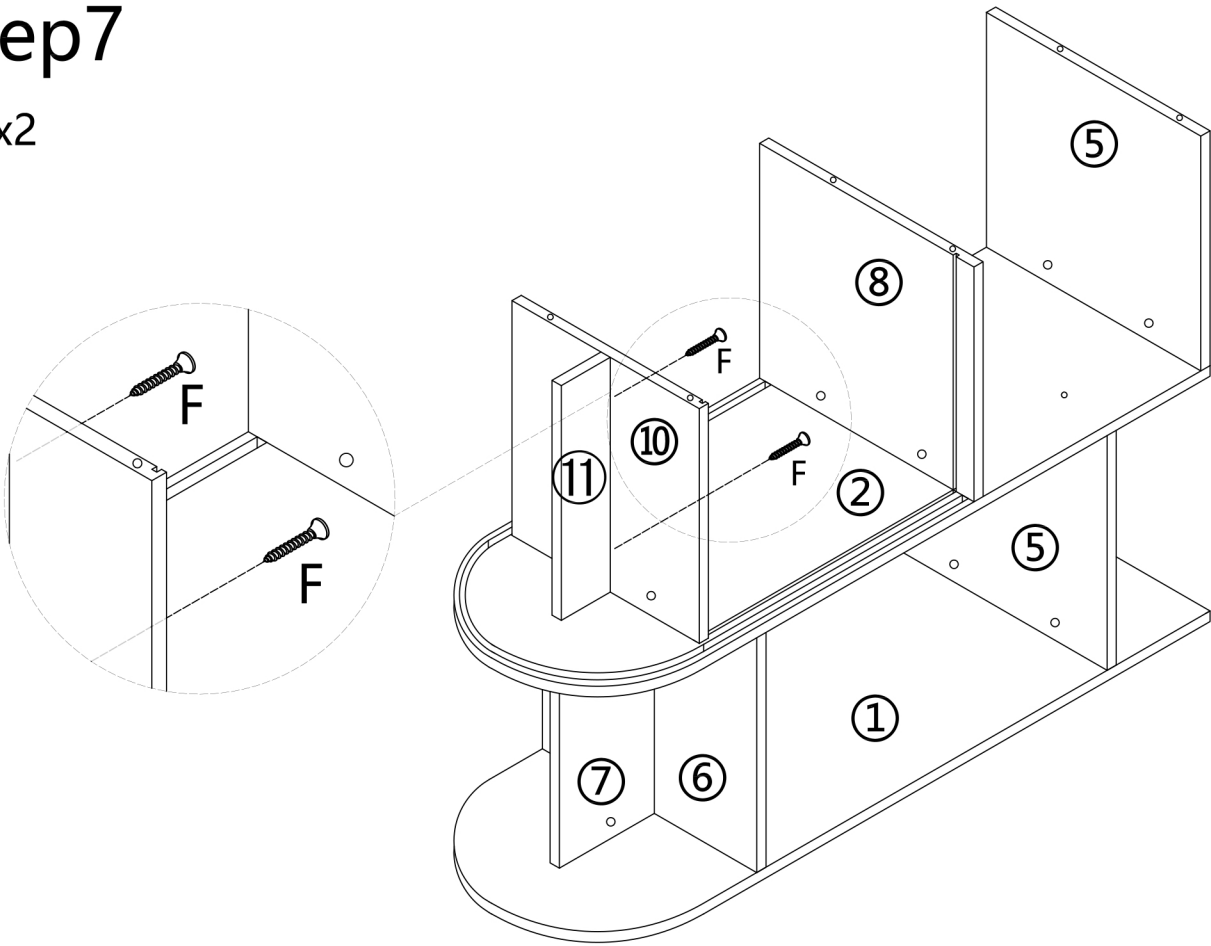
Step 6

B x6
C x6

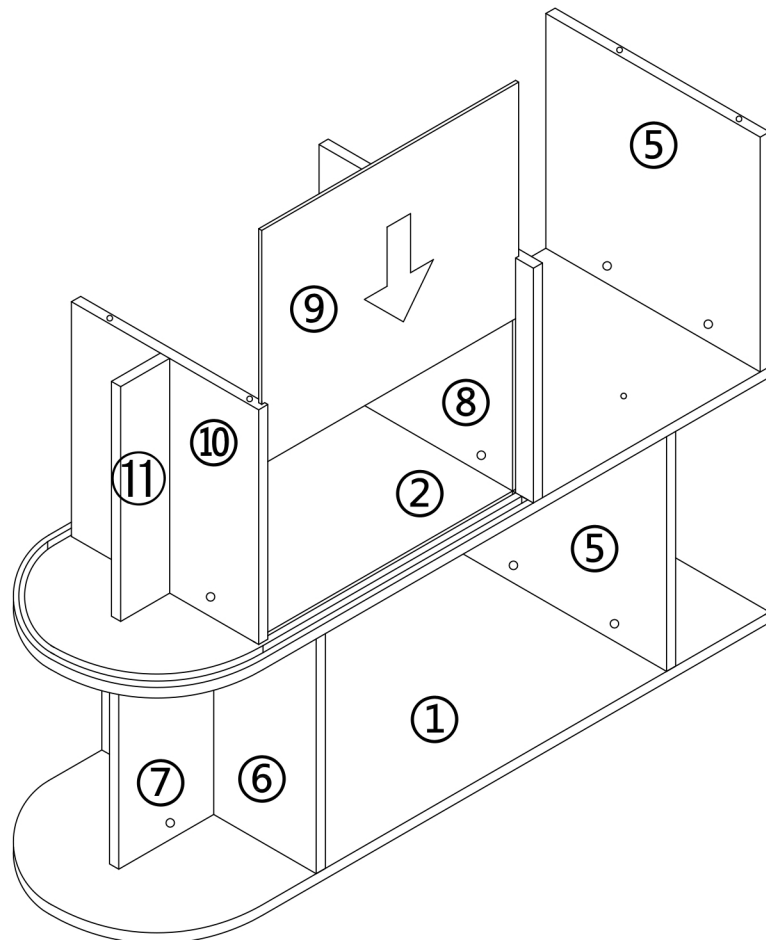


Step7

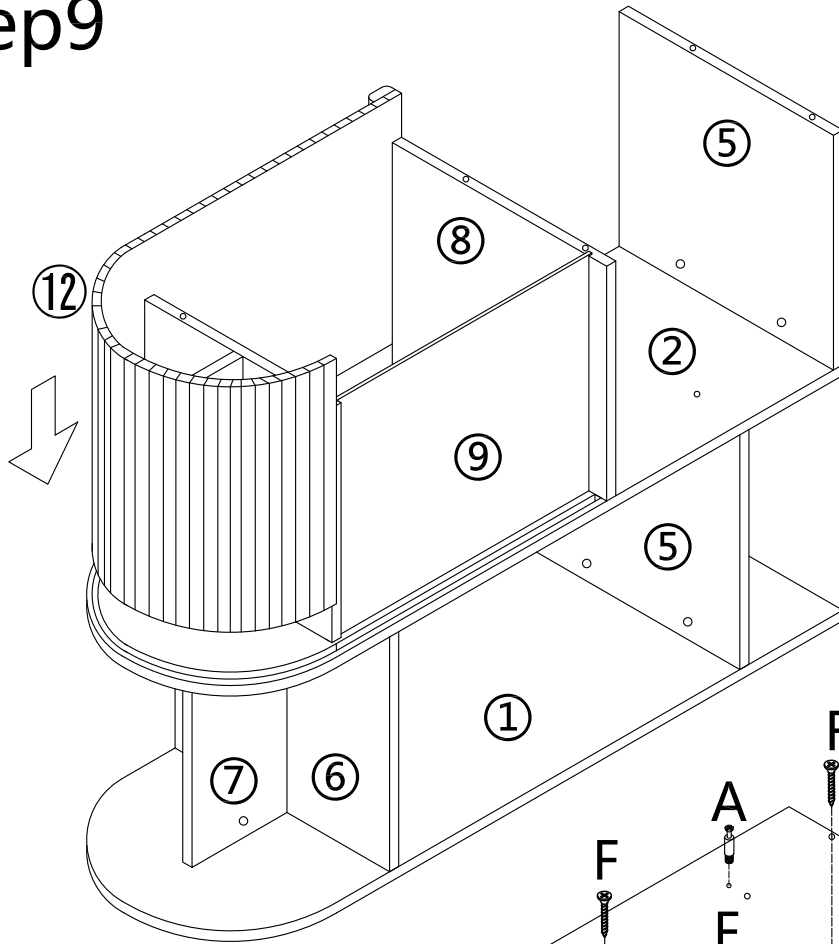
F x2



Step8

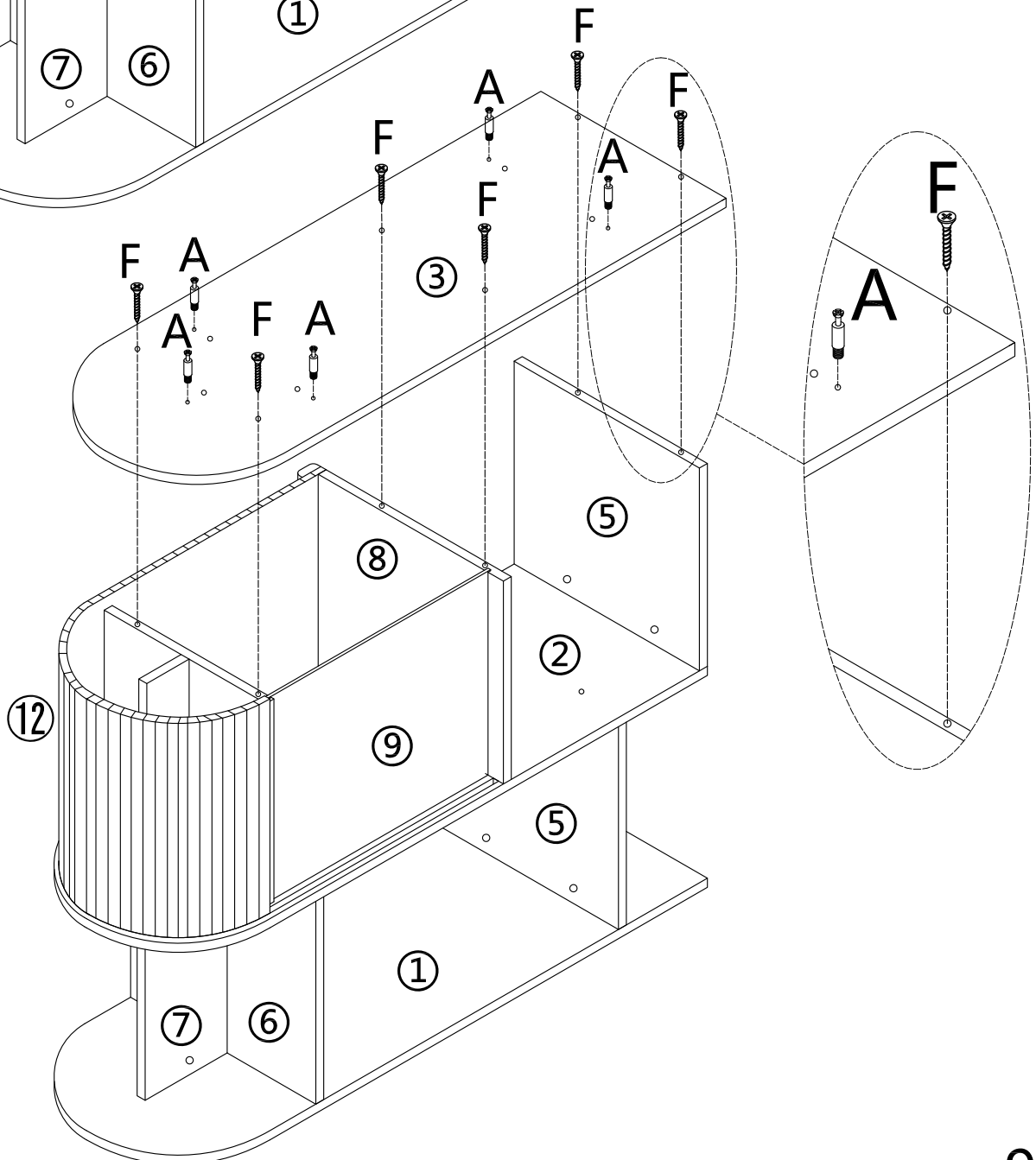


Step 9



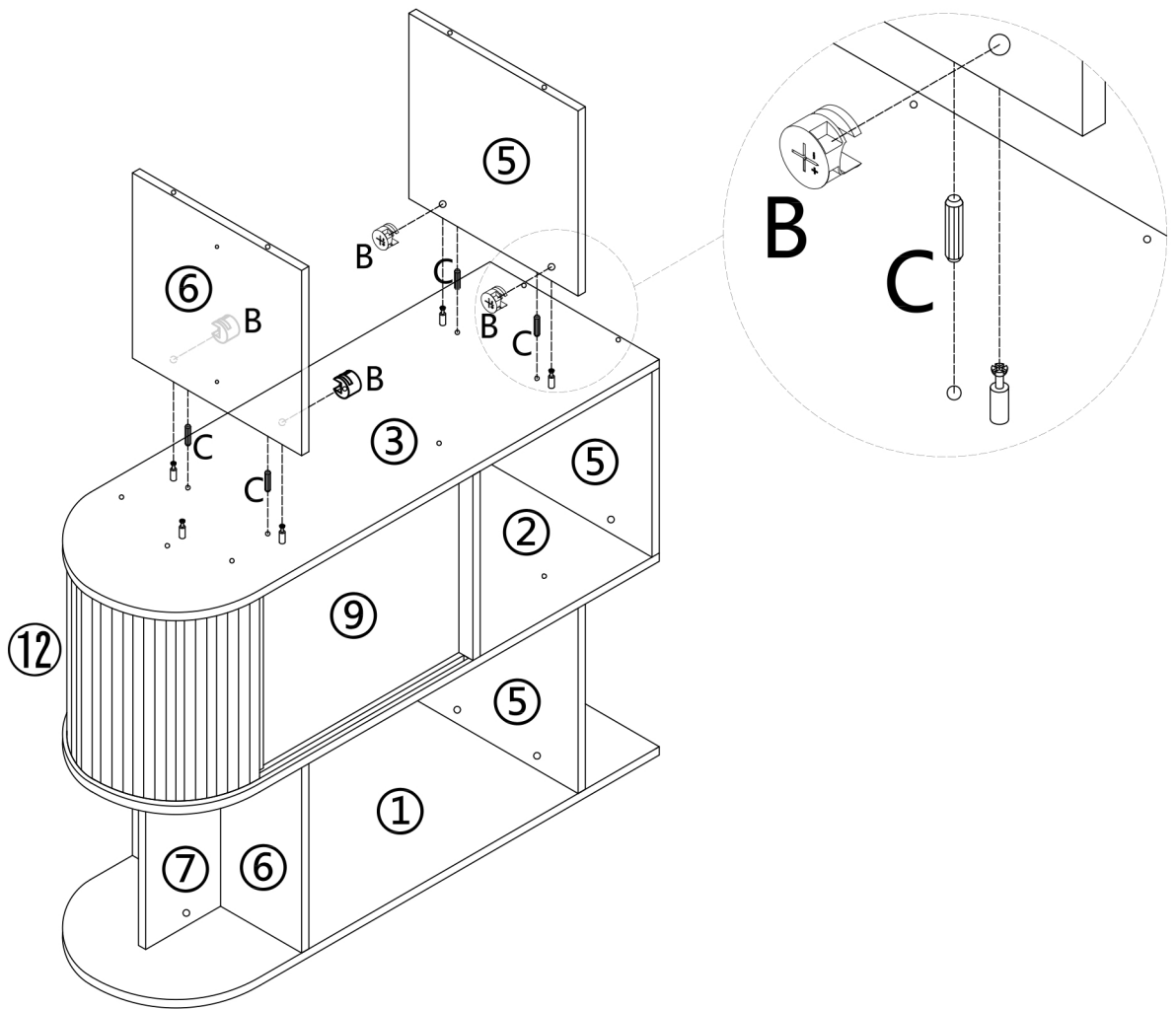
Step 10

F x6
A x5



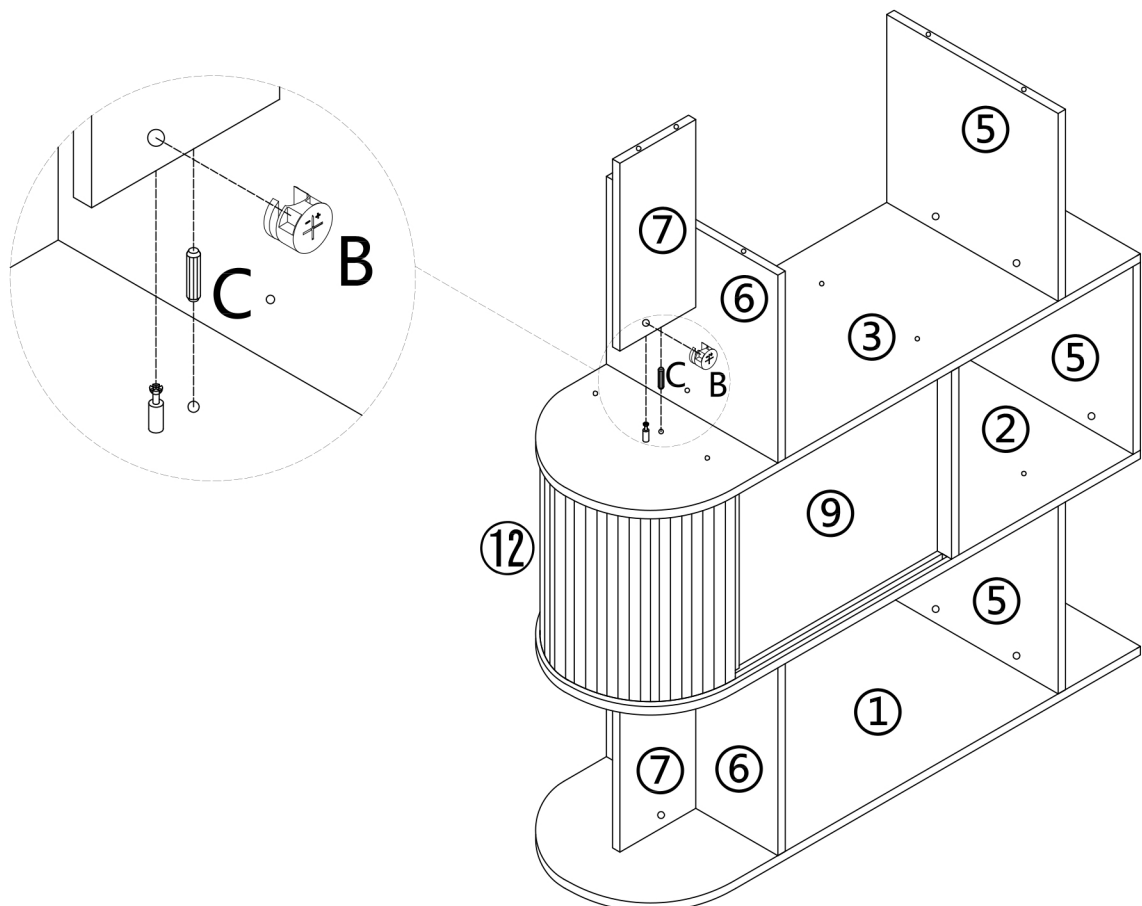
Step 11

B x4
A x4



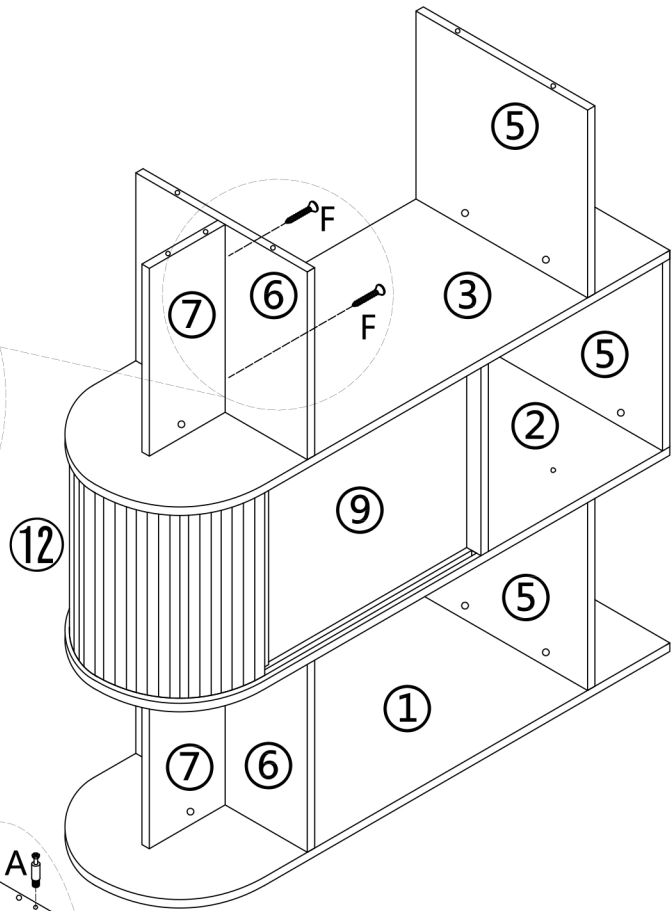
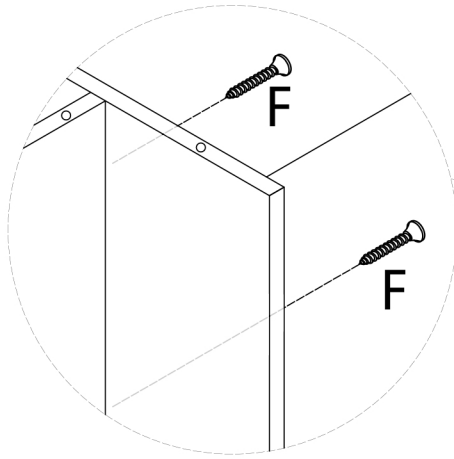
Step 12

B x1
A x1



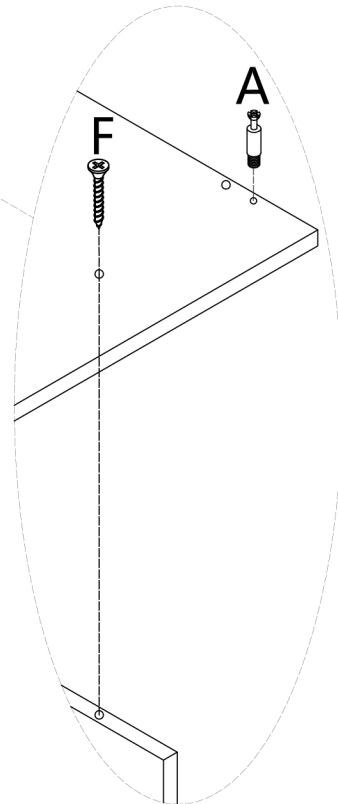
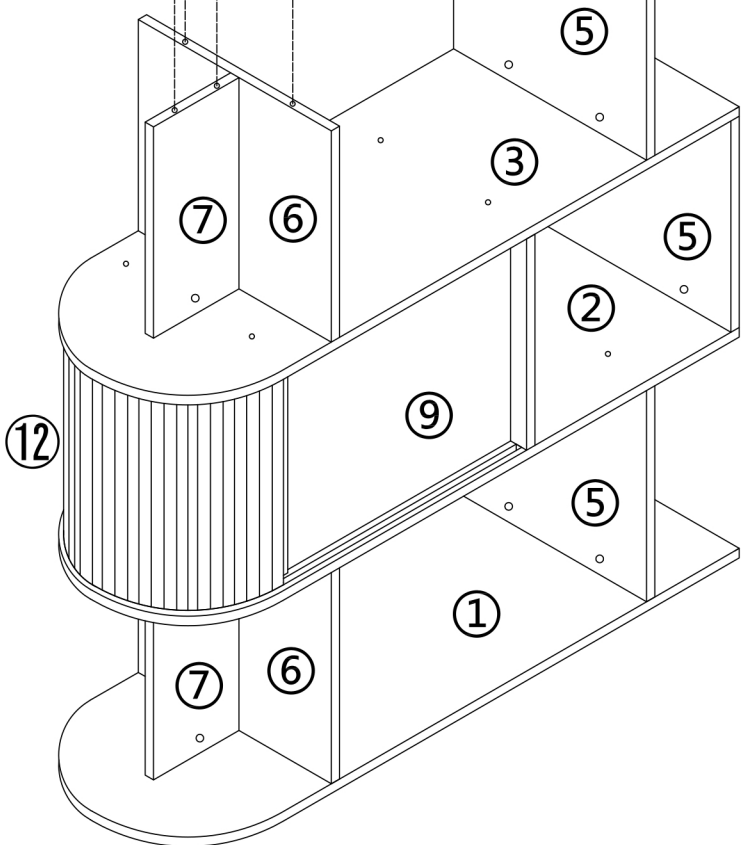
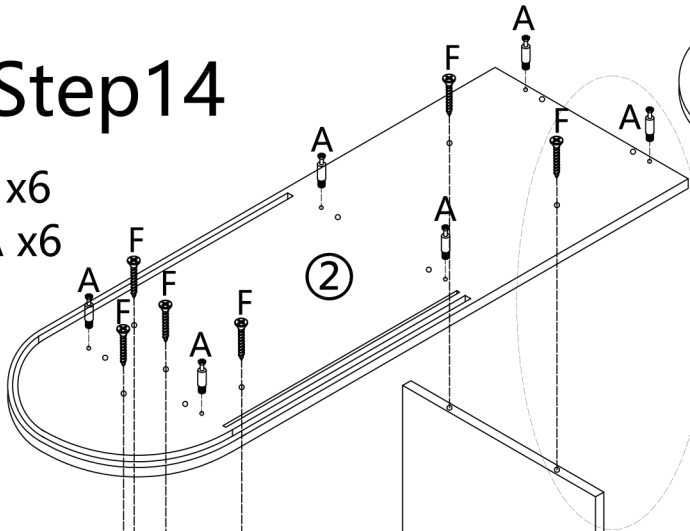
Step 13

F x2



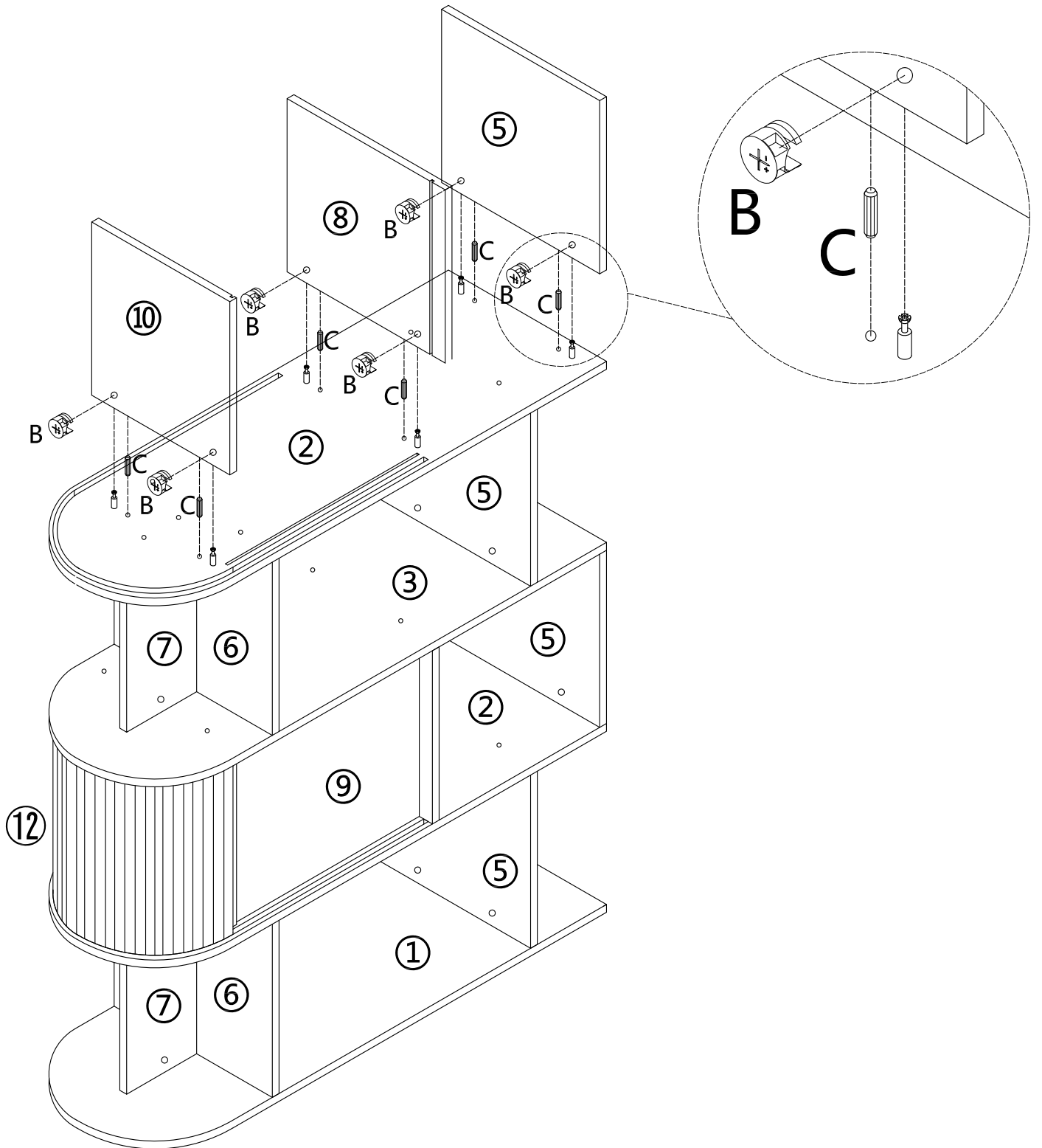
Step 14

F x6
A x6



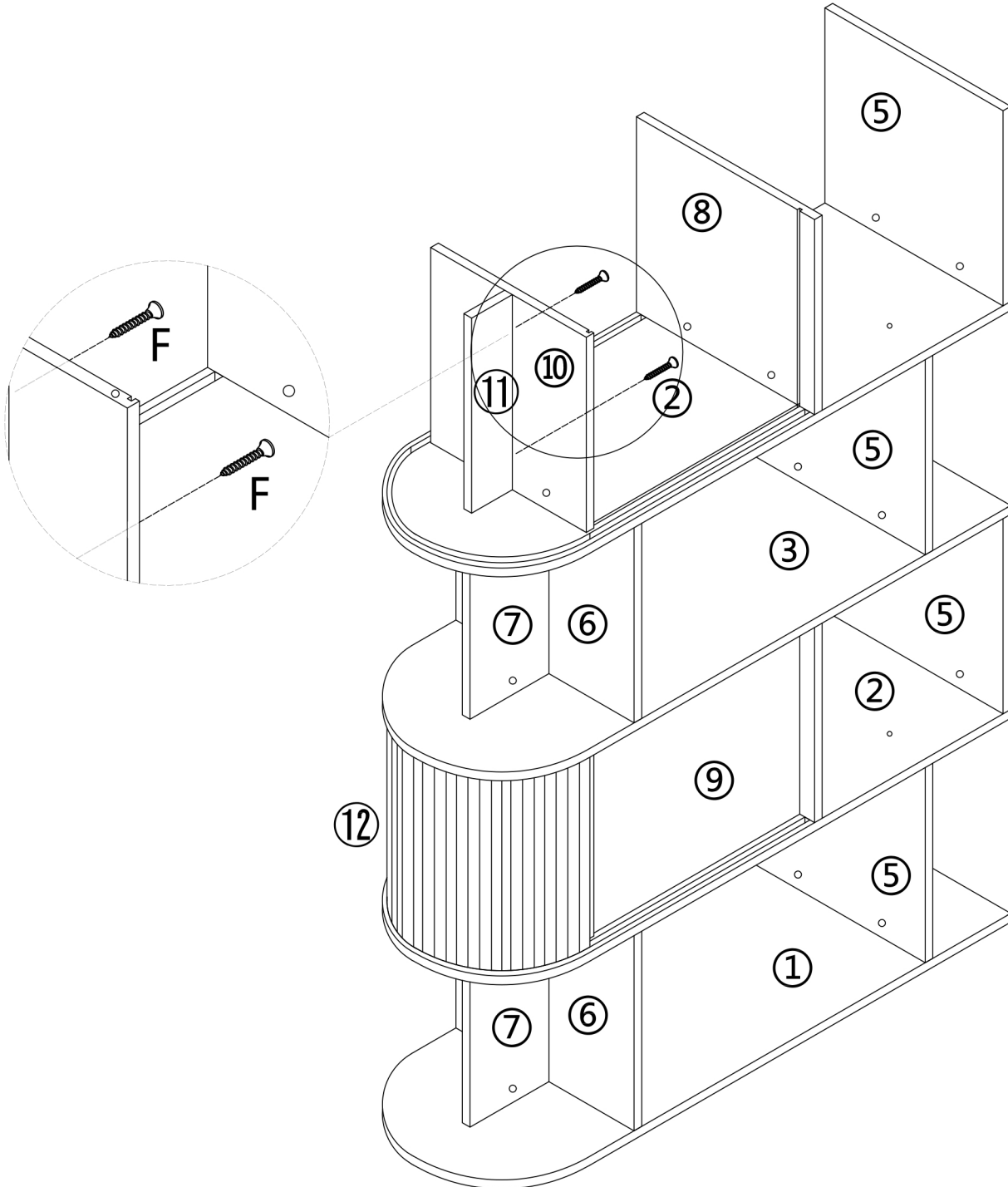
Step 15

B x6
C x6

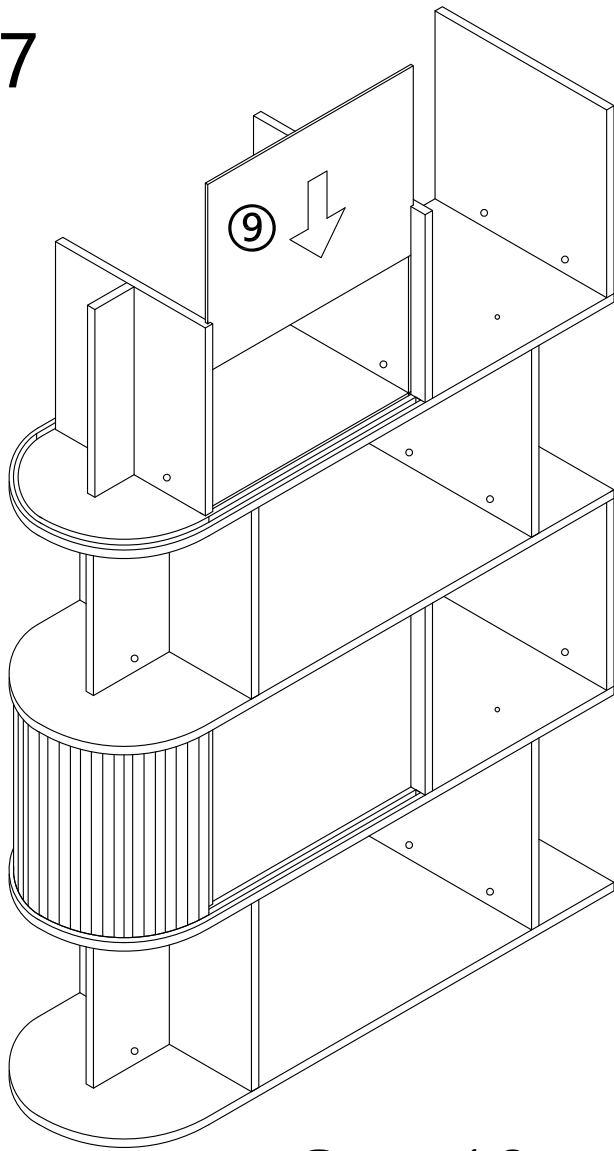


Step 16

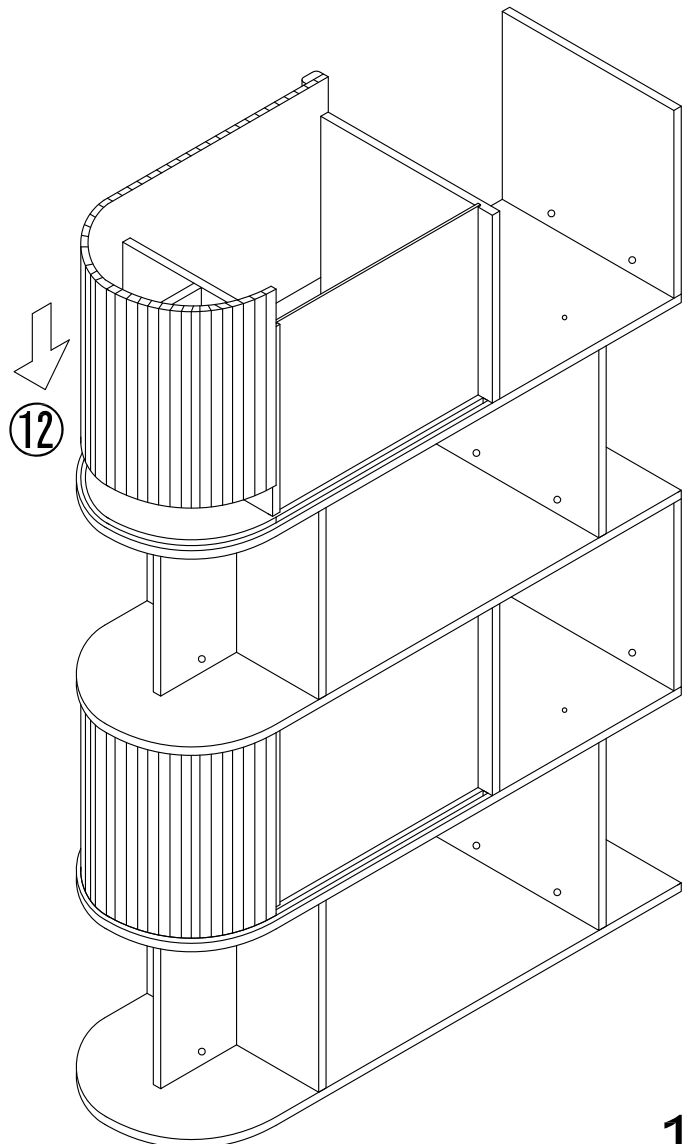
F x2



Step17

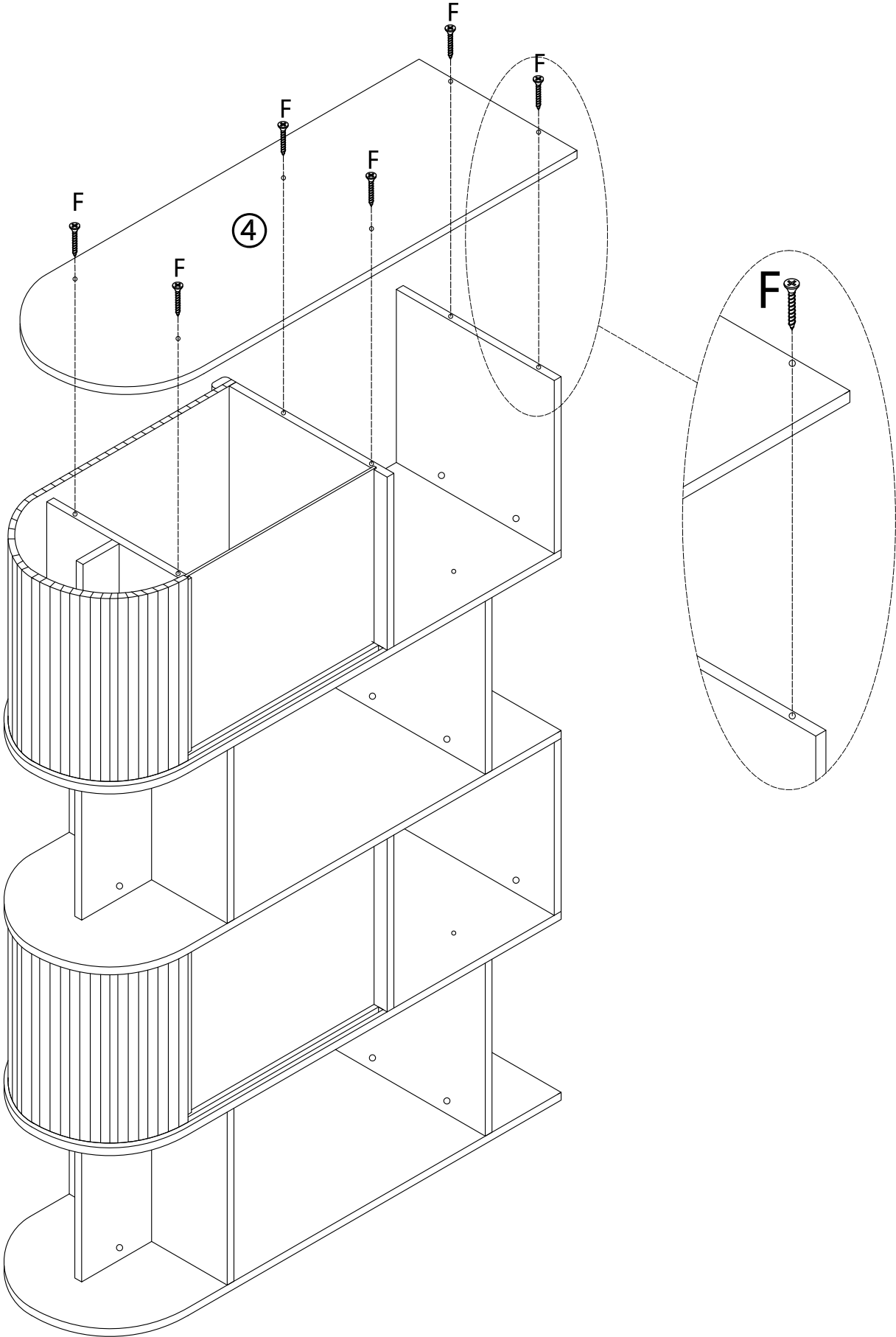


Step18



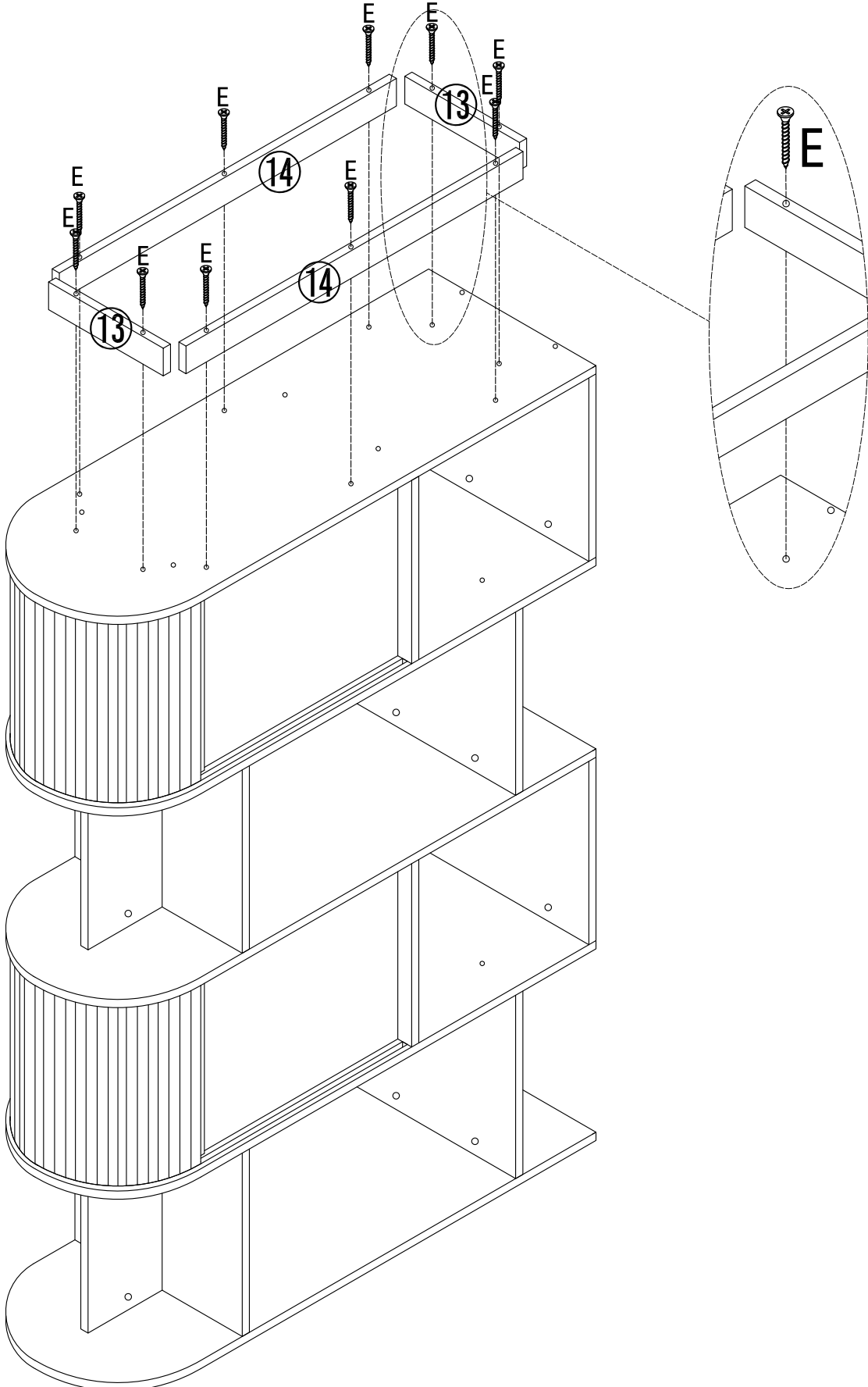
Step 19

F x6



Step20

E x10

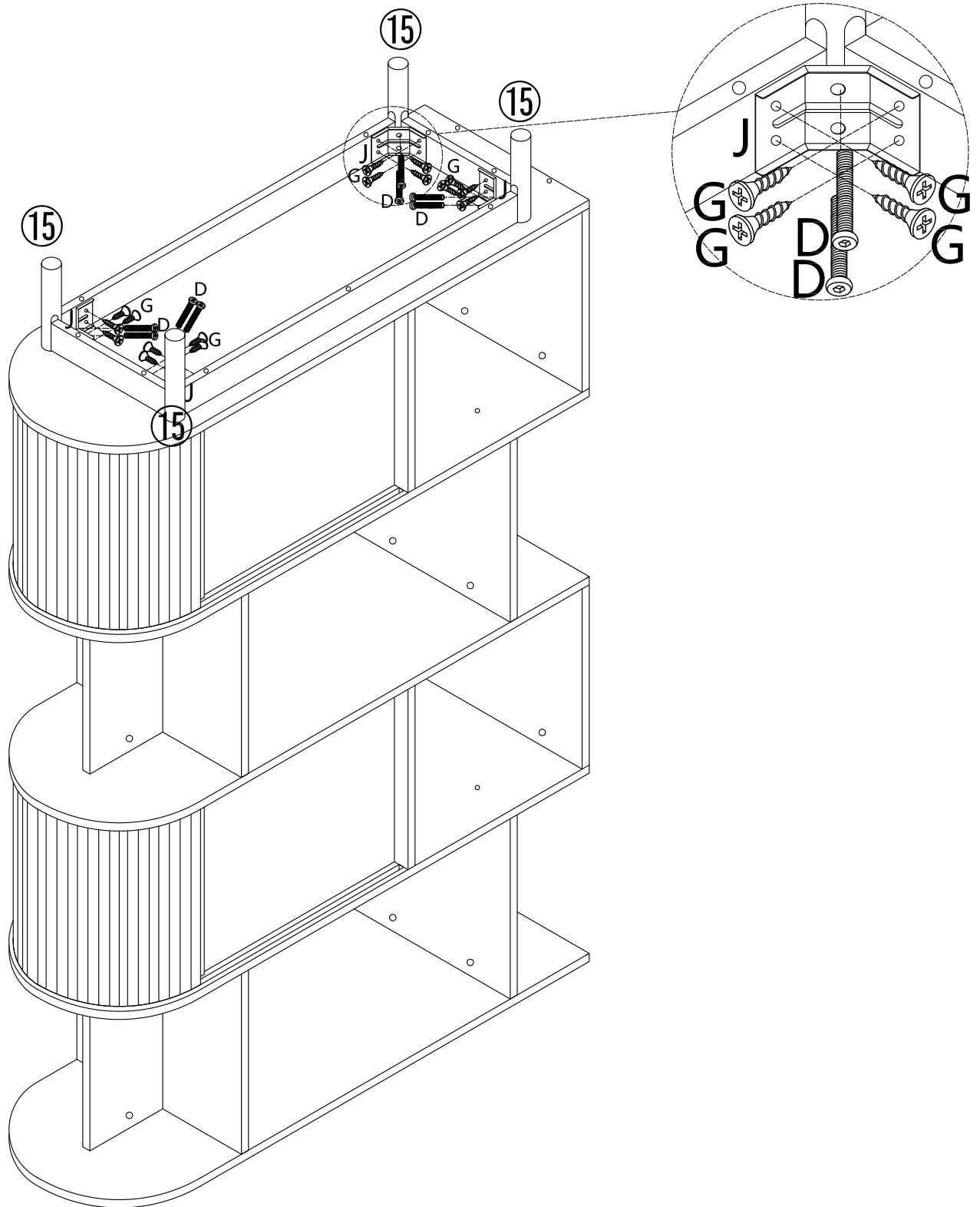


Step 21

D x8

G x16

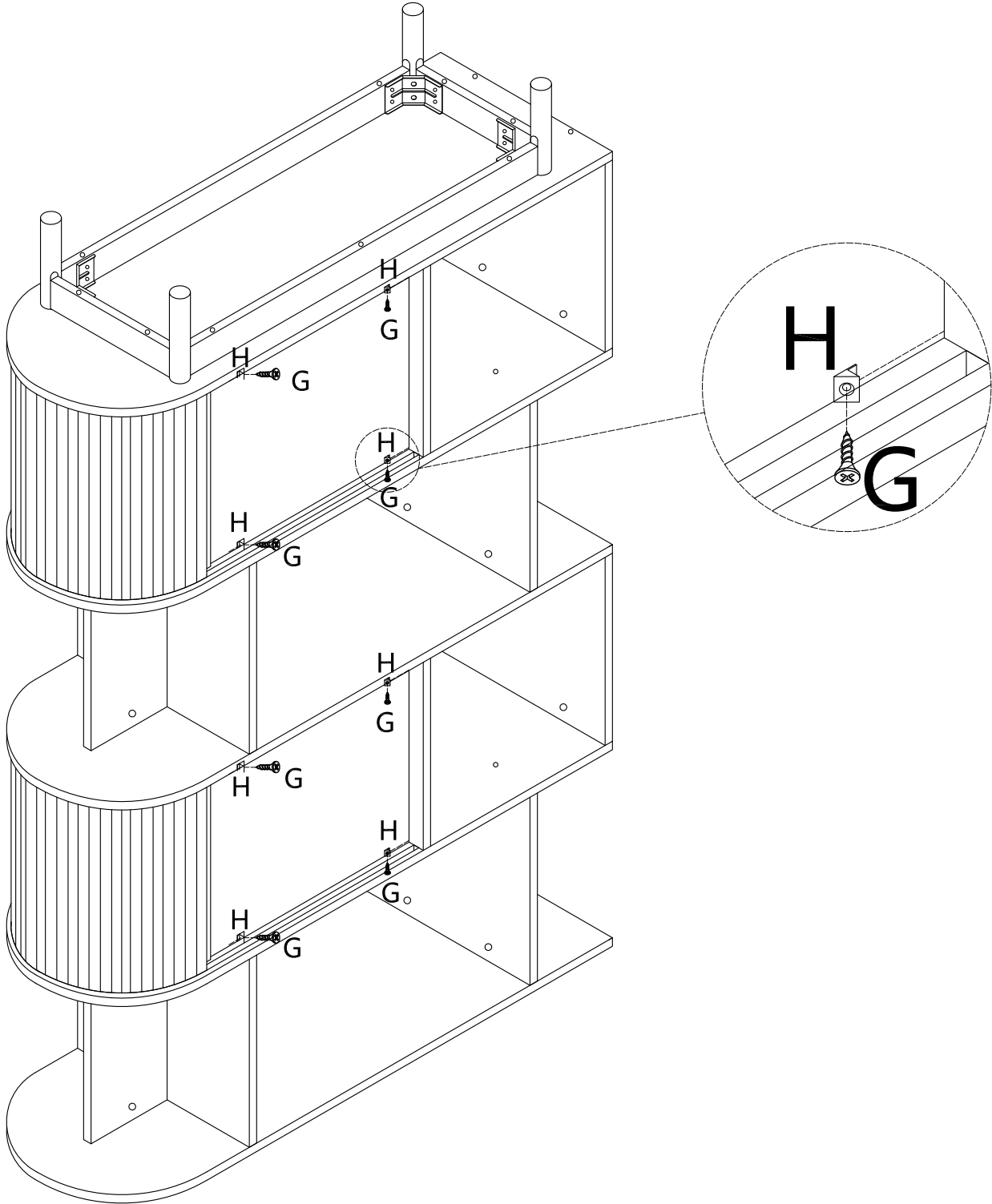
J x4



Step22

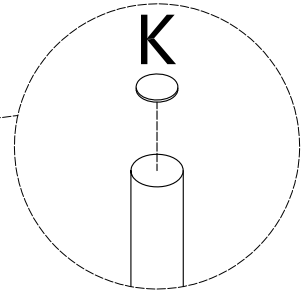
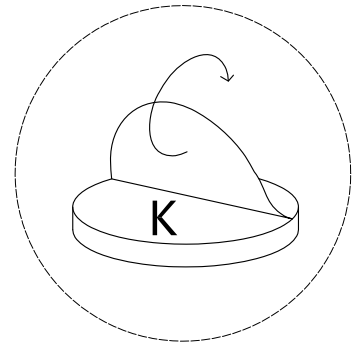
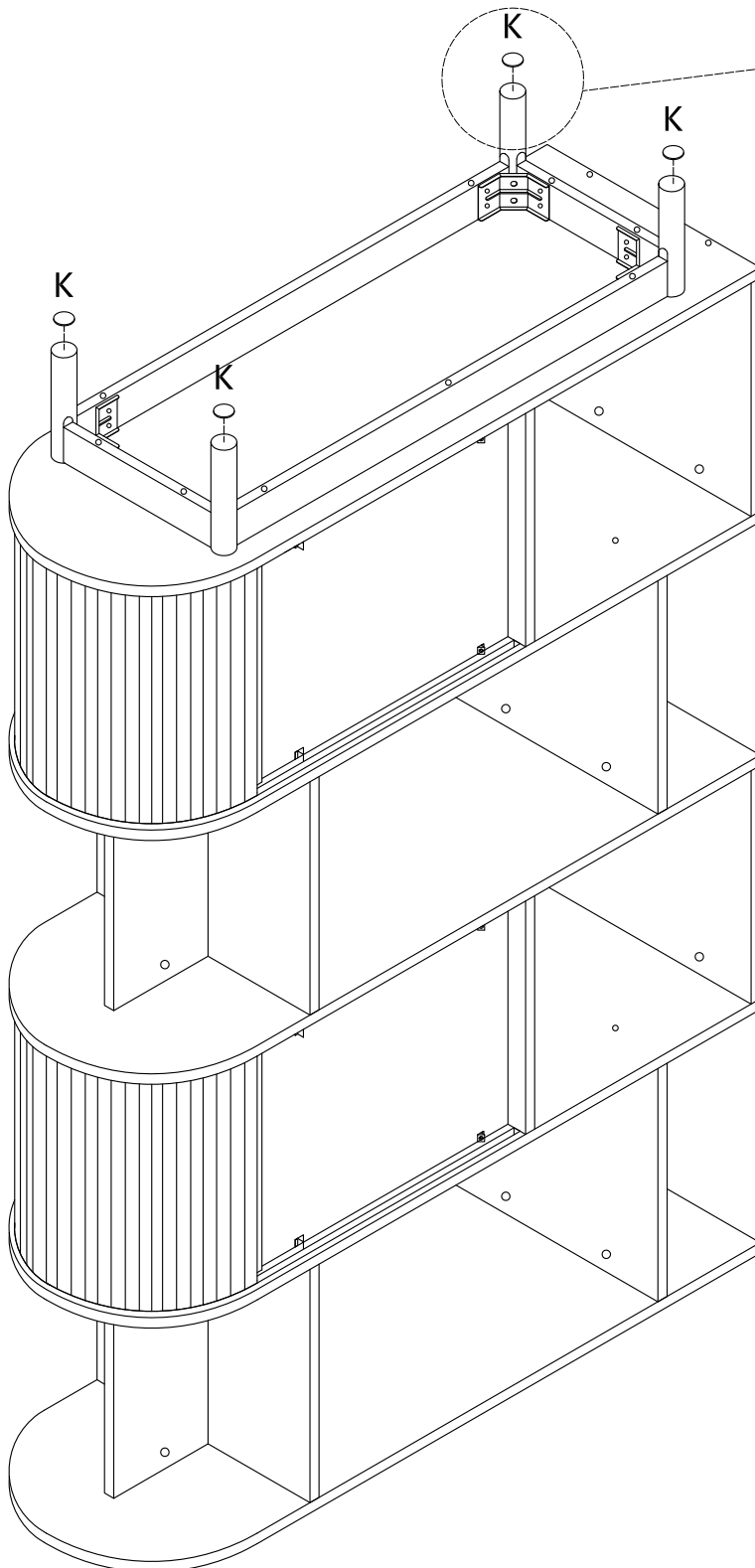
G x8

H x8



Step23

K x4



Step24

