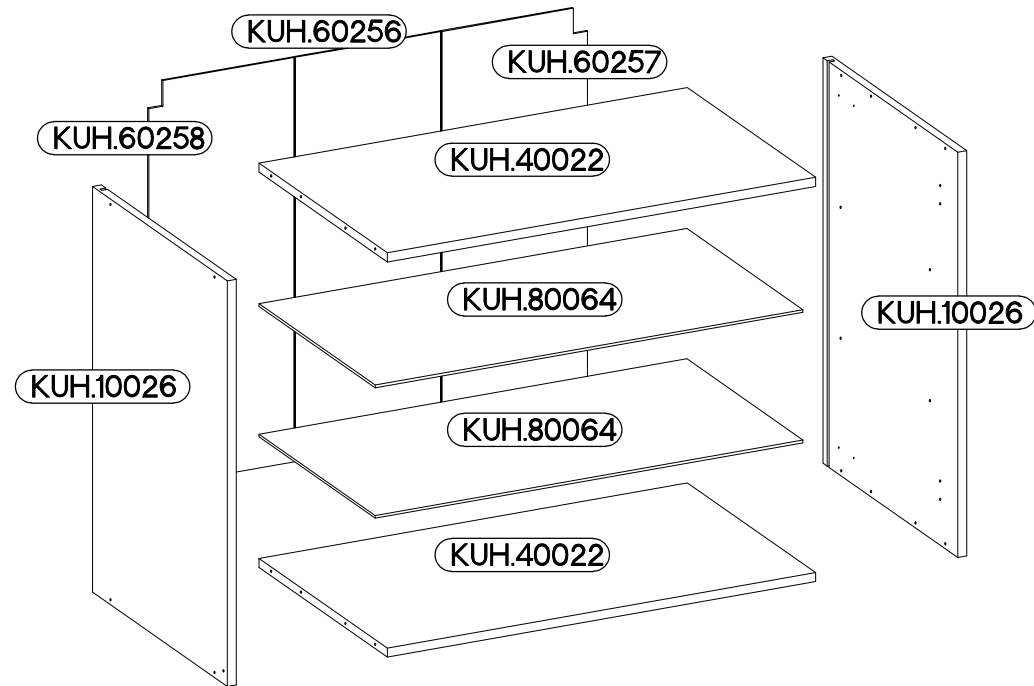
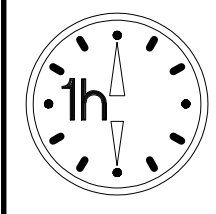
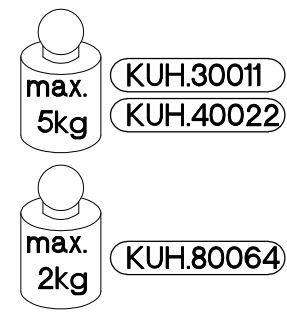
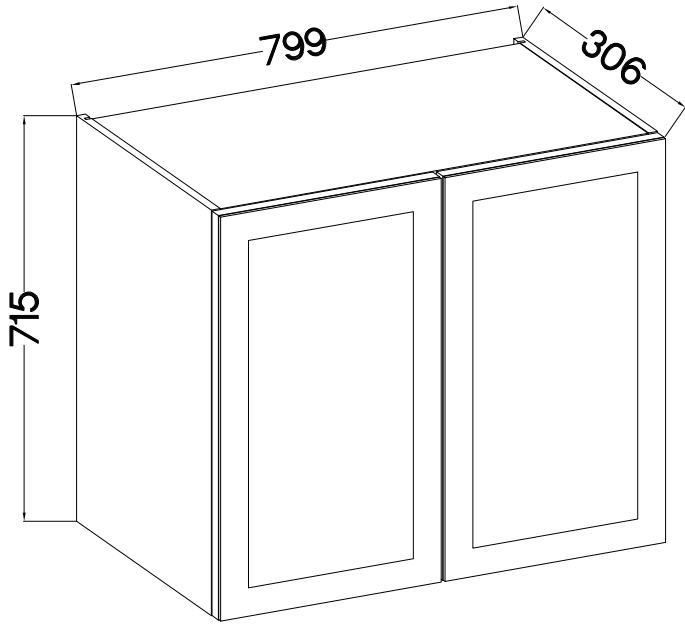
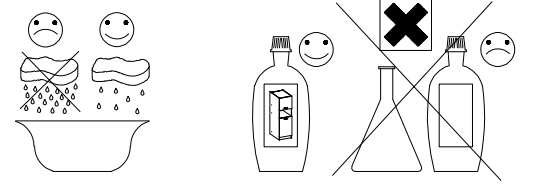
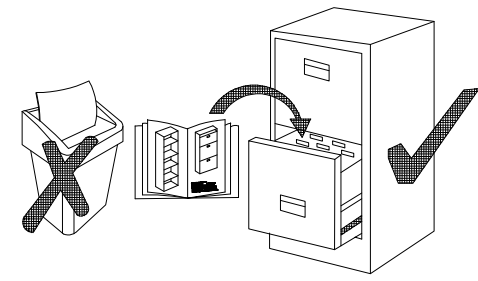


80 GS-72 2F

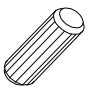

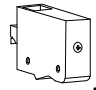


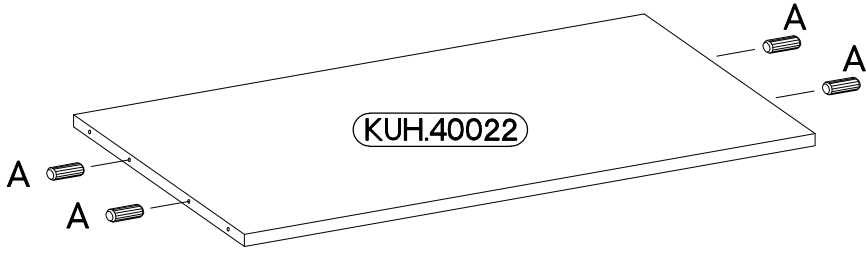
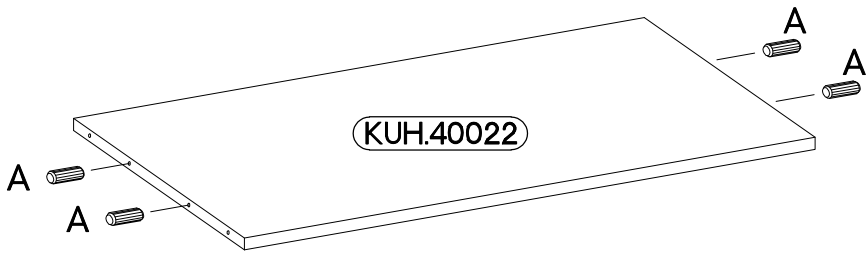
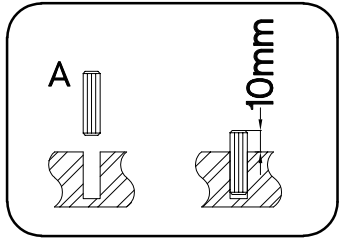
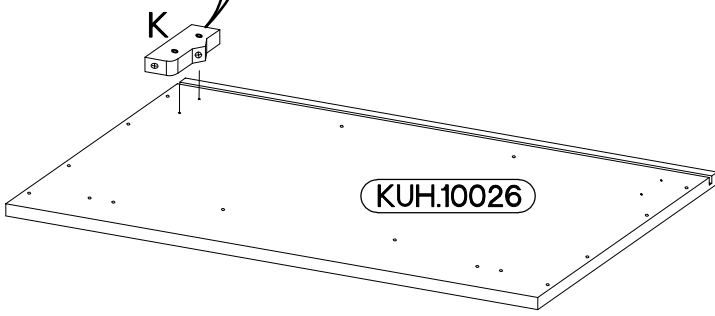
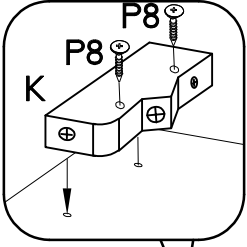
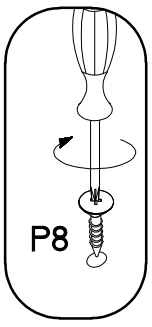
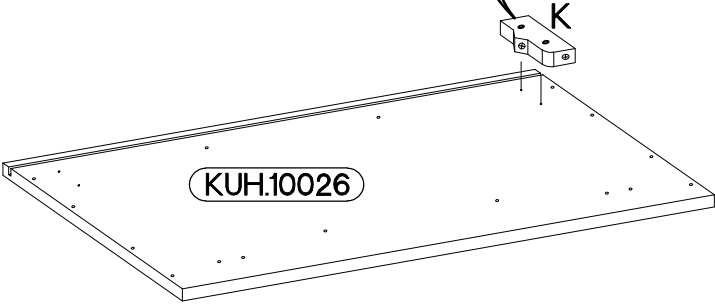
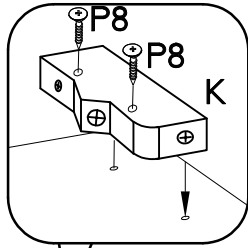
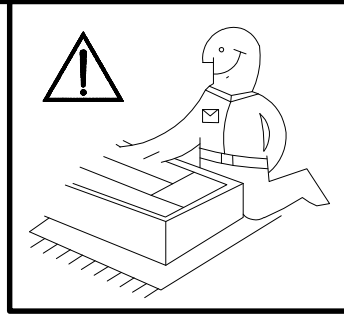
Ersatzteil Nummer	Dimension
KUH.10026 x2	715x290x16
KUH.40022 x2	767x276x16
KUH.60256	713x260x2,5
KUH.60257	713x260x2,5
KUH.60258	713x260x2,5
KUH.80064 x2	766x250x5

+8x30mm <b>A</b> 8	6,4 x 50mm <b>B</b> 8	E1 8	+35/0mm [CD] <b>HG</b> 4	+5/16mm <b>J12</b> 8	L1=680mm <b>K</b> 2	L1 <b>L1</b> 2	<b>O</b> 1	+3.5x13mm <b>P5</b> 8	+3.0x20mm <b>P7</b> 15-20	+4.0x30mm <b>P8</b> 4
--------------------------	-----------------------------	---------	--------------------------------	----------------------------	---------------------------	----------------------	---------------	-----------------------------	---------------------------------	-----------------------------



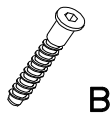
ISM-KUH-02004

 ‡8x30mm A	 ‡4.0x30mm P8	 K
8	4	2



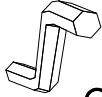
2

6,4 x 50mm



B

4



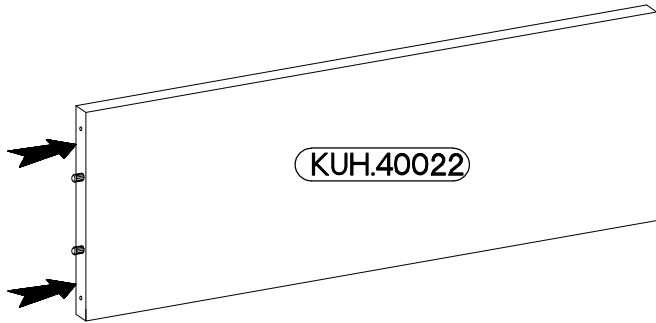
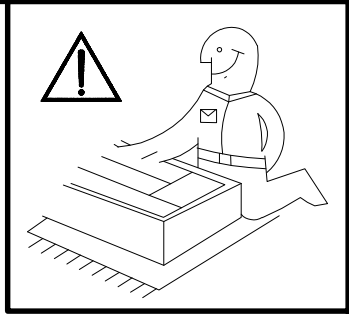
O

1

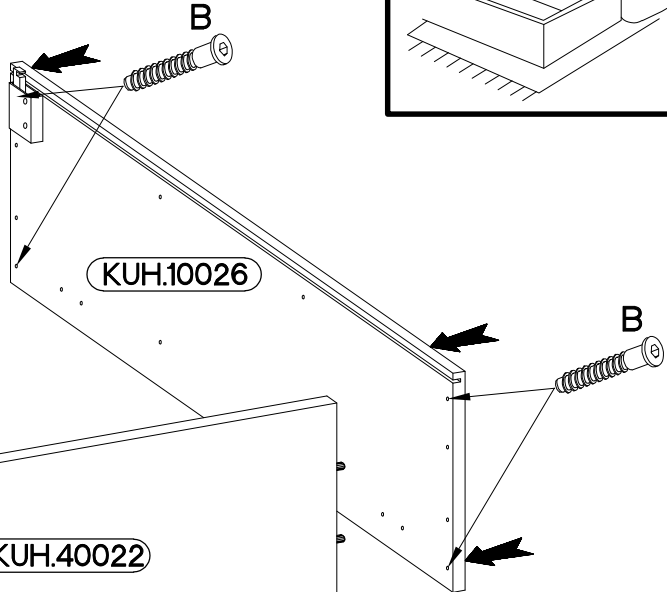


E1

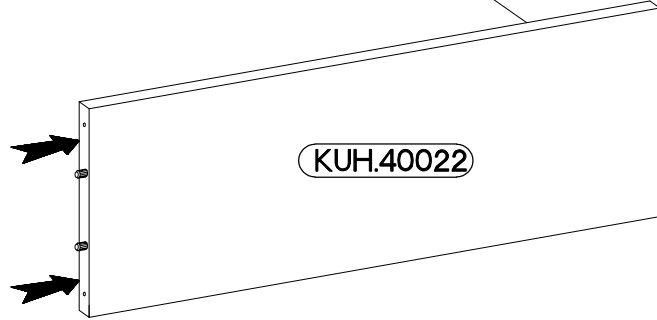
4



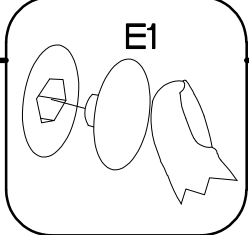
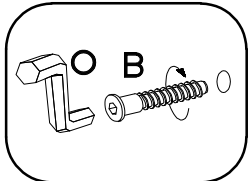
KUH.40022



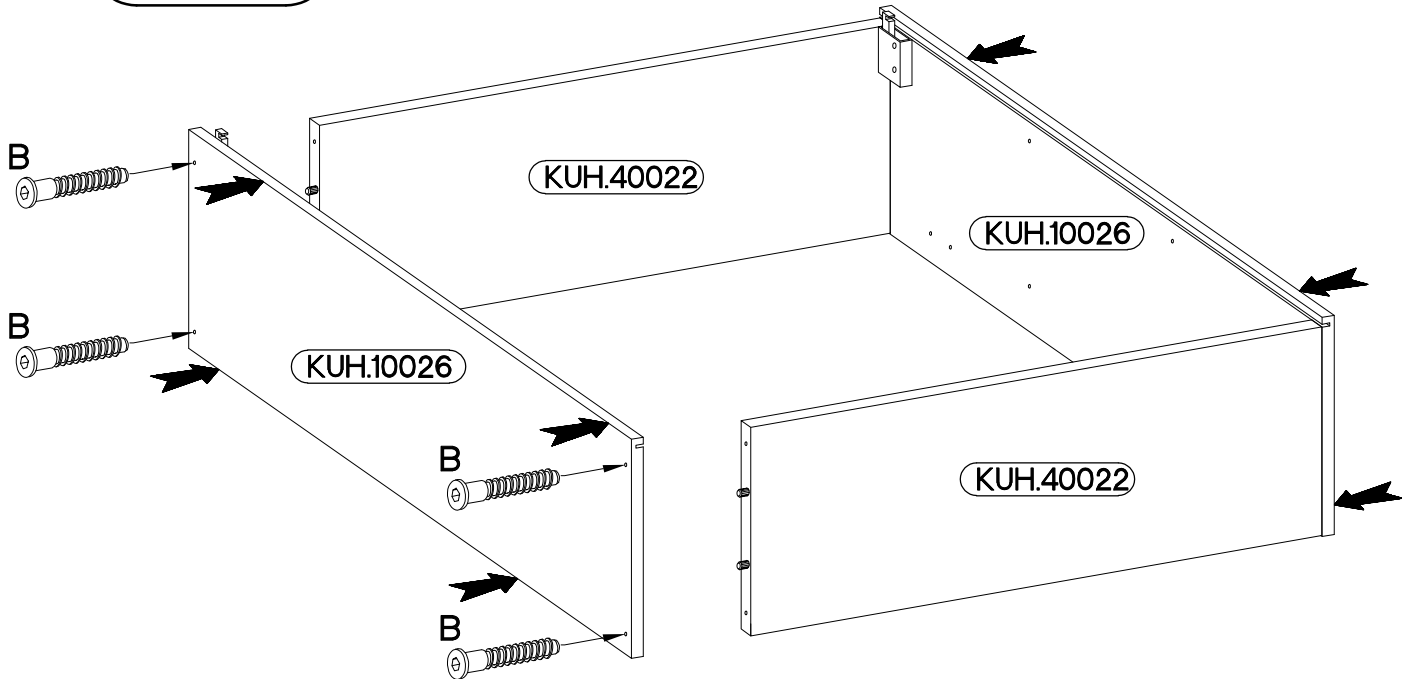
KUH.10026



KUH.40022



3



KUH.40022

KUH.10026

KUH.10026

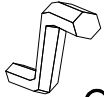
KUH.40022

6,4 x 50mm



B

4



O

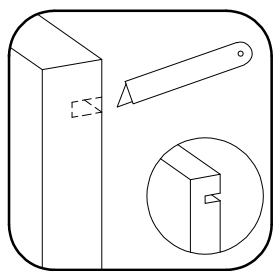
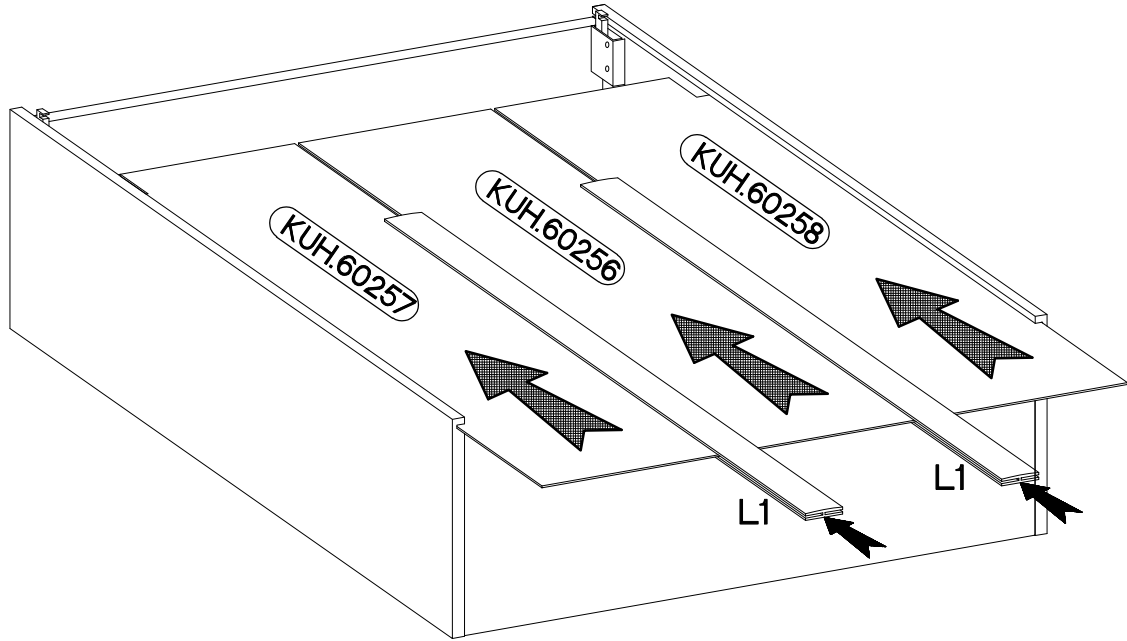
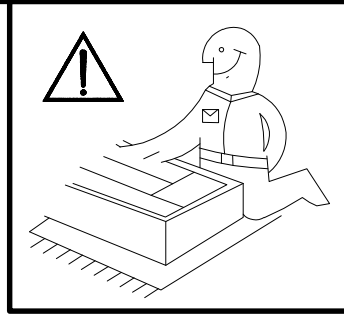
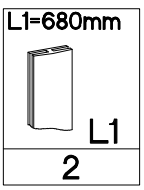
1



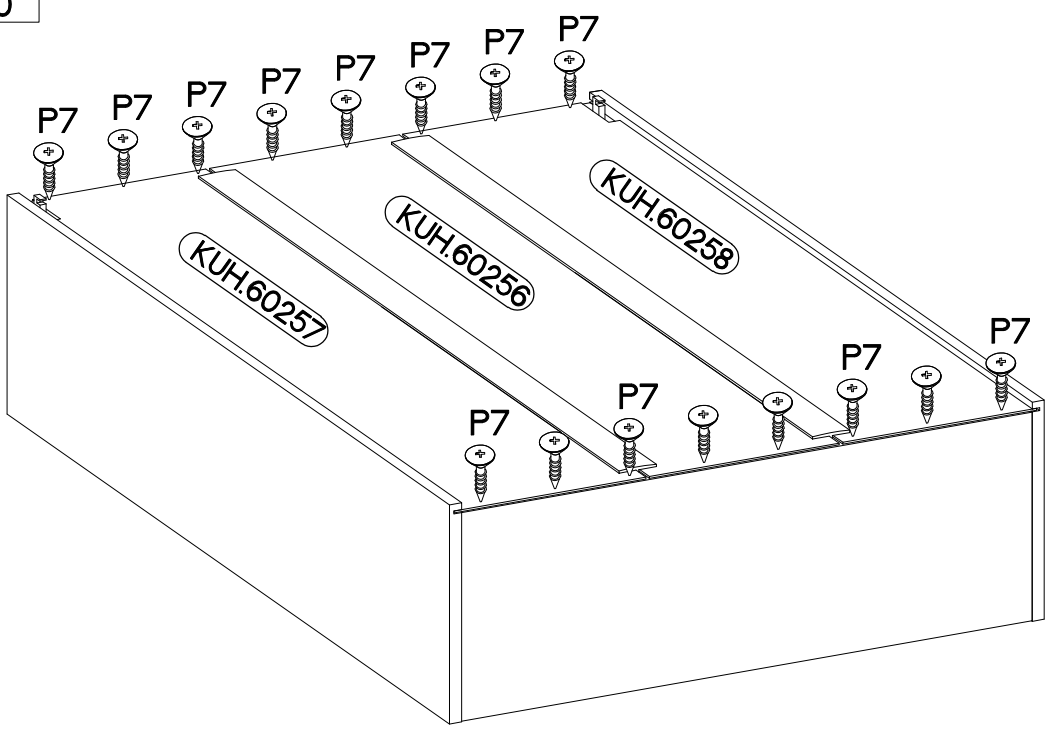
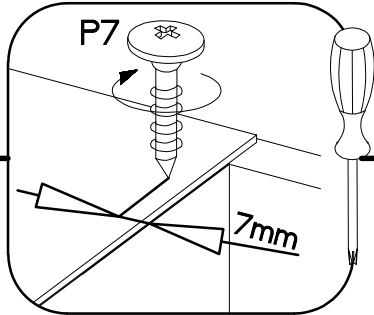
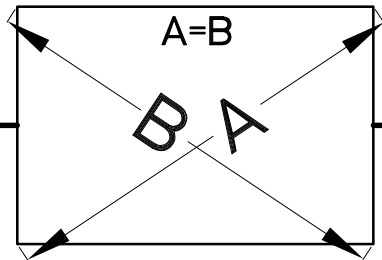
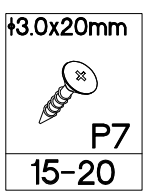
E1

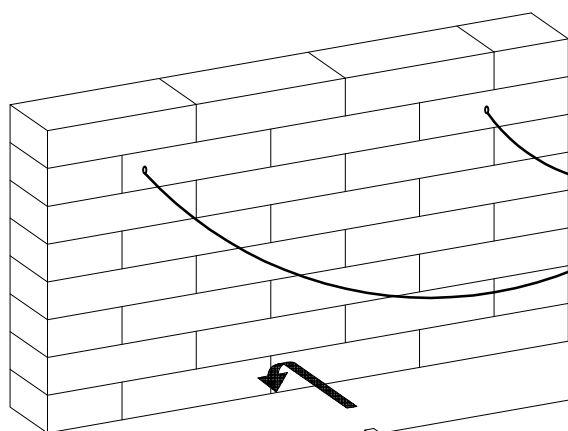
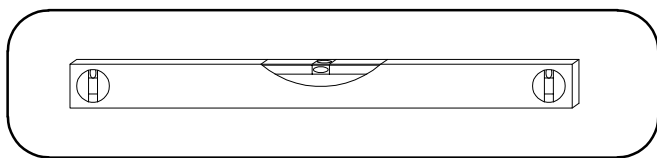
4

4

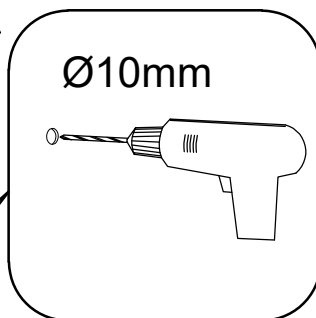


5

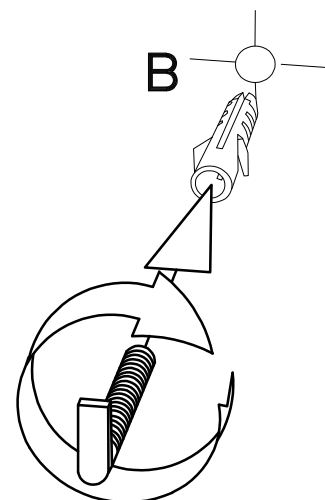
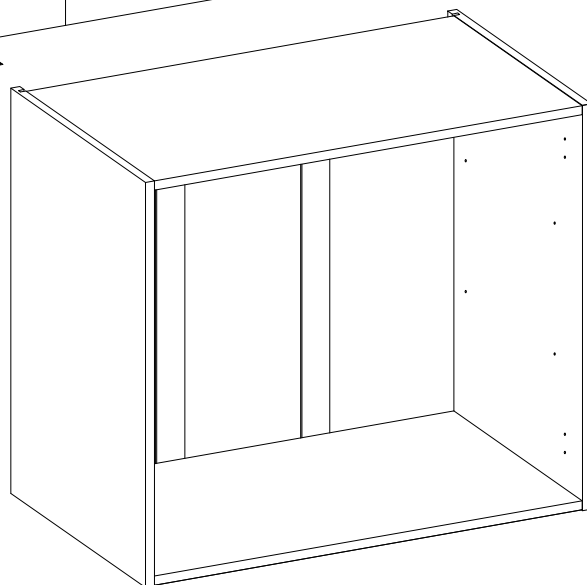




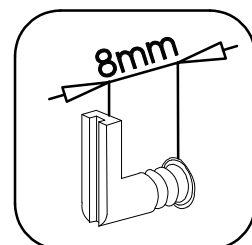
A



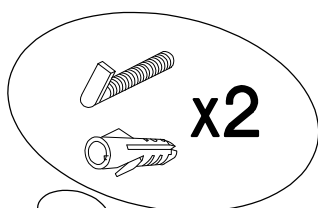
Ø10mm



B



8mm



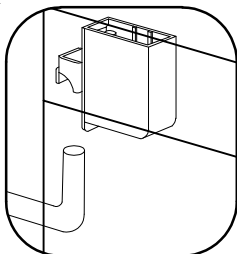
x2



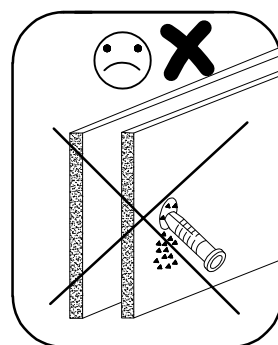
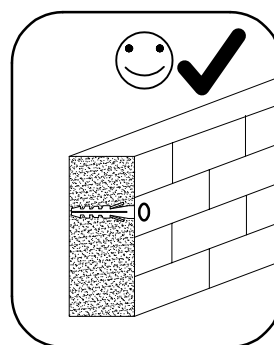
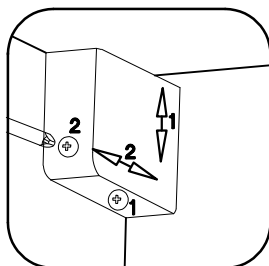
SHOP



C

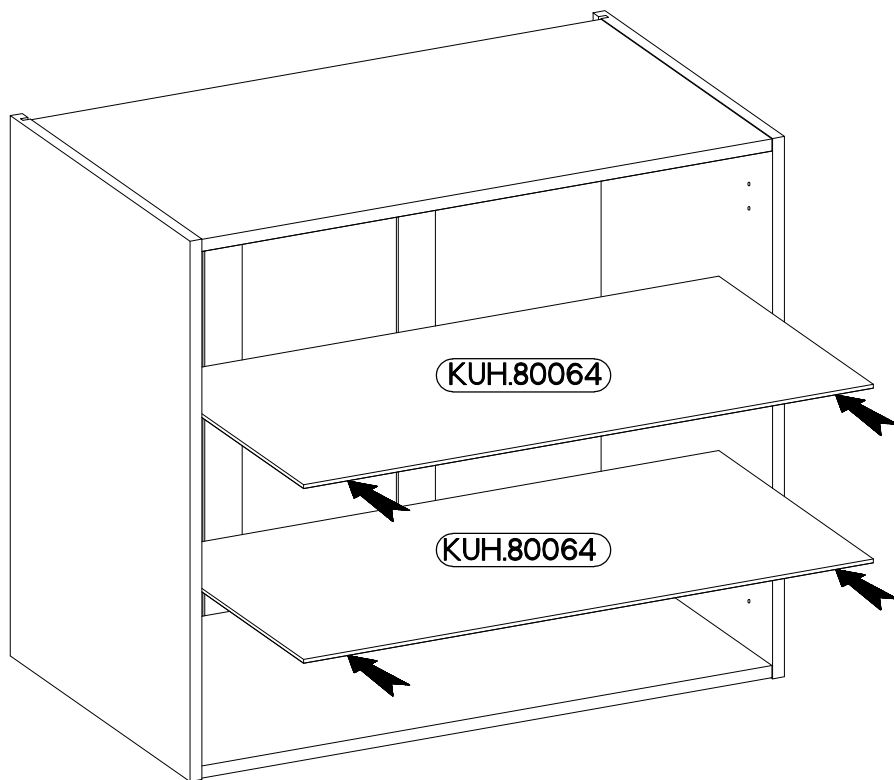
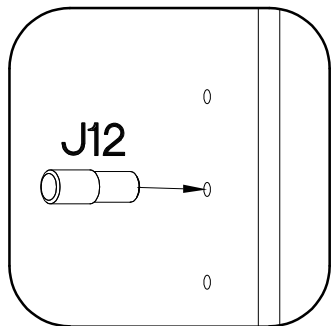
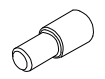


D



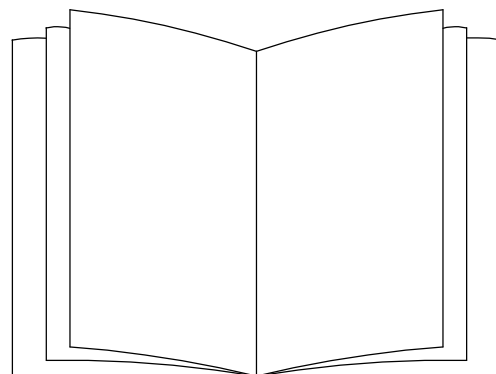
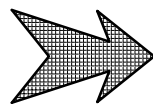
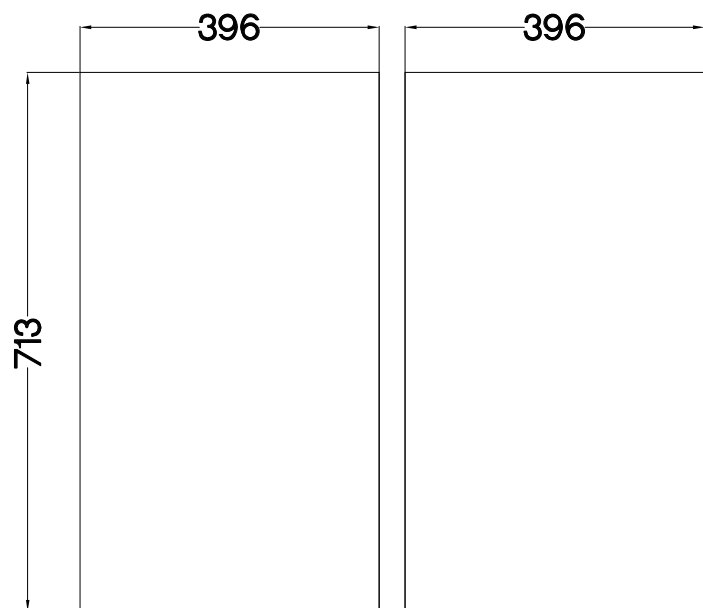
7

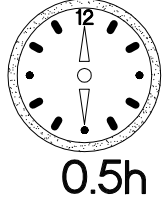
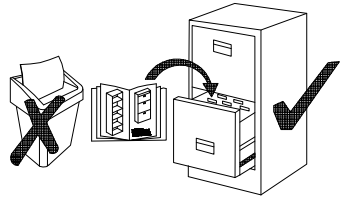
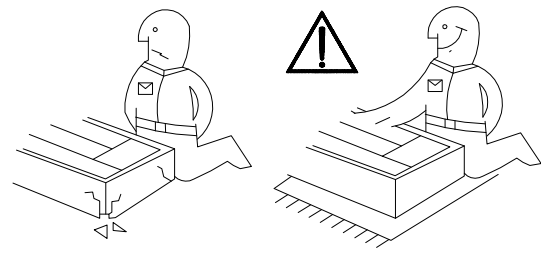
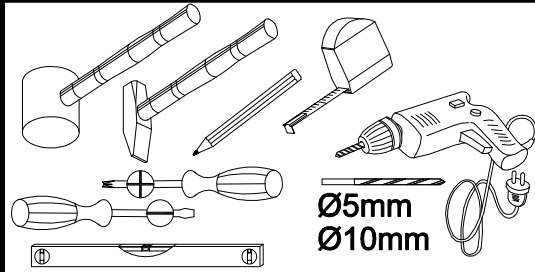
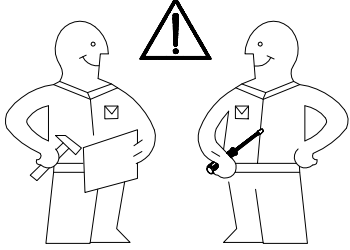
±5/16mm  
J12  
8



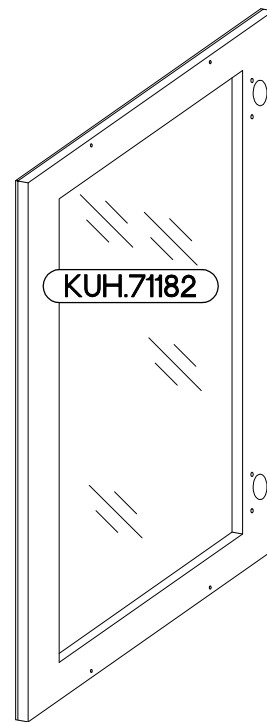
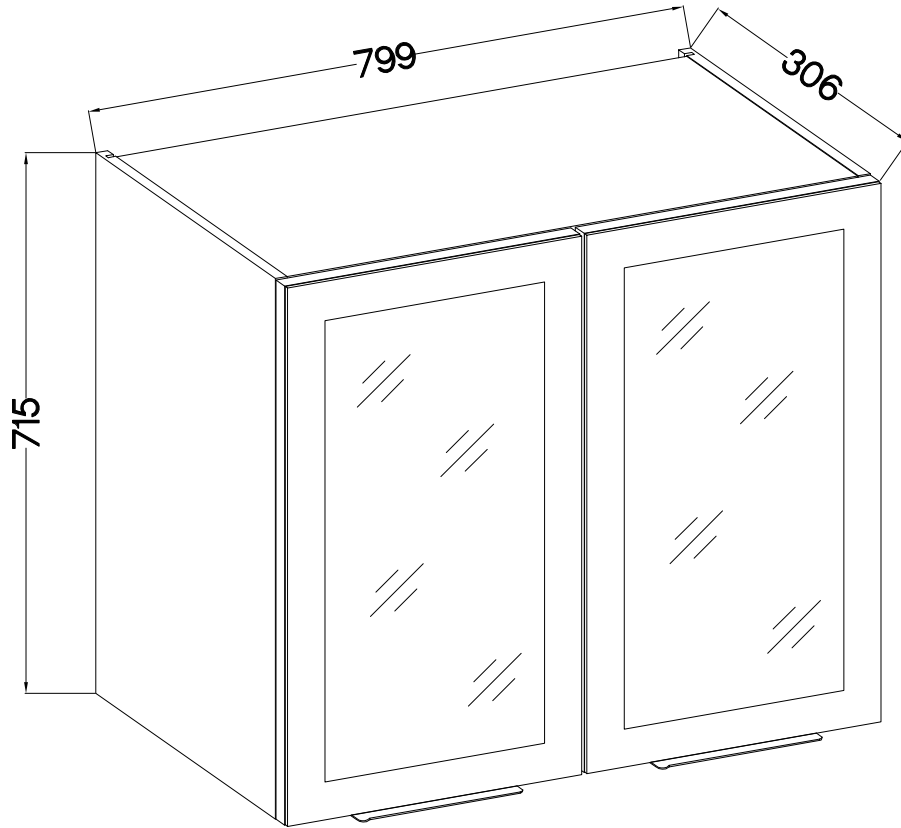
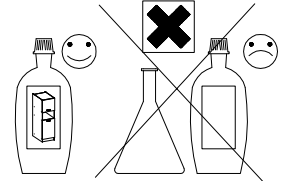
8

FRONT





80 GS-72 2F  
FRONT



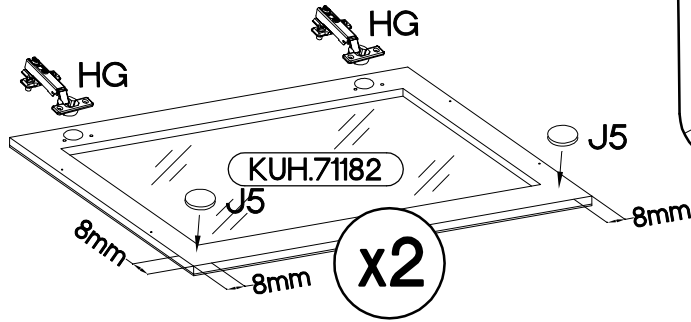
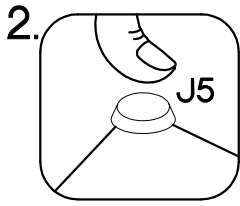
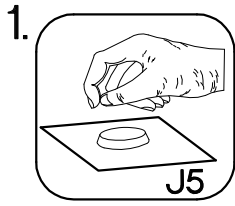
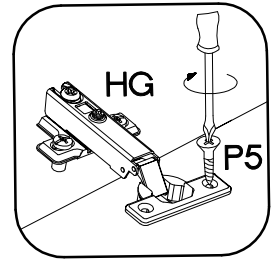
L=192mm  S 2	±7/2mm  J5 4
-----------------------	-----------------------

Ersatzteil Nummer	Dimension
KUH.71182 x2	713x396x17

ISM-KUH-02043

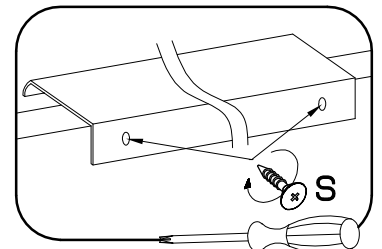
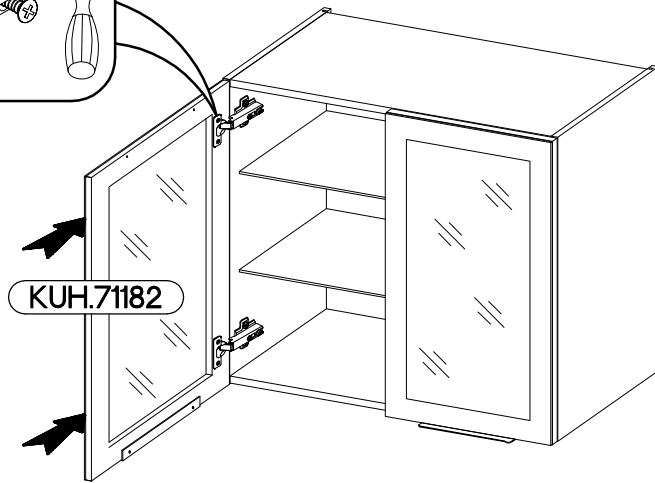
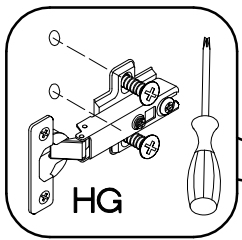
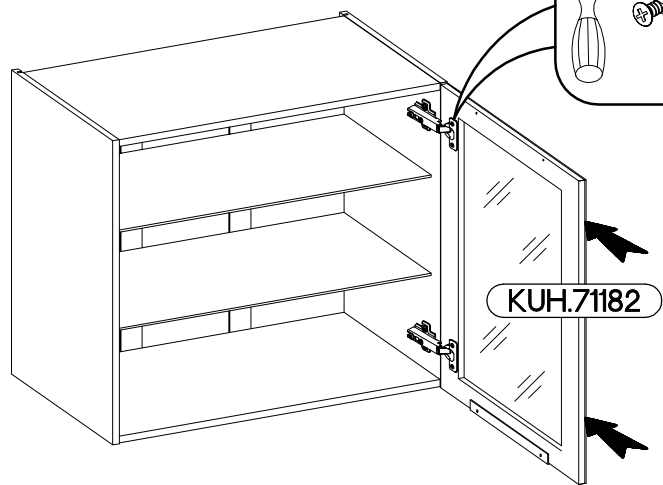
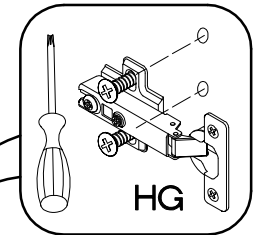
1

±35/0mm [CD] HG 4	±3.5x13mm P5 8	±7/2mm J5 4
-------------------------	----------------------	-------------------



2

L=192mm
S
1



### VARIANT HIGH GLOSS

