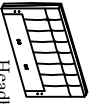




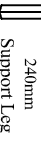






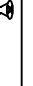


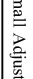
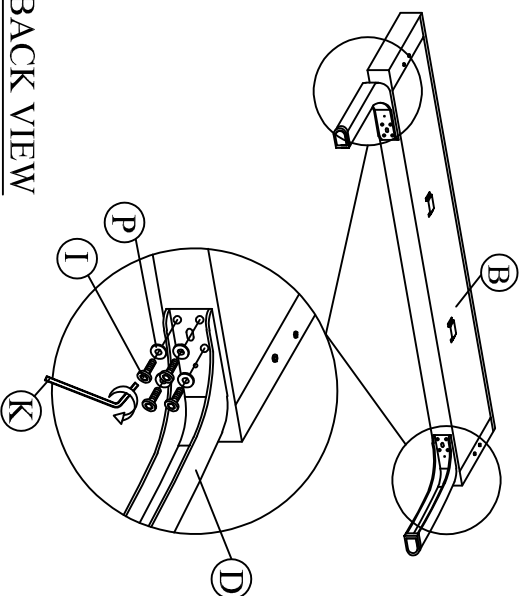


ASSEMBLY INSTRUCTION

MODEL : CF 9499-A (6)

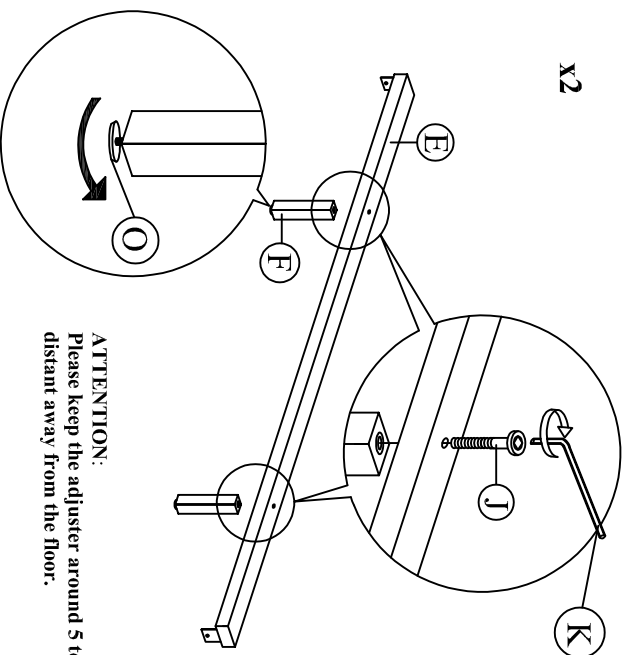
A		1 pc
B		1 pc
C		2 pcs
D		2 pcs
E		2 pcs
F		4 pcs
G		1 pc
H		8 pcs
I		8 pcs
J		4 pcs
K		1 pc
L		1 pc
M		4 pcs
N		34 pcs
O		4 pcs
P		8 pcs

Step 1 : Install the legs (D) to footboard (B).



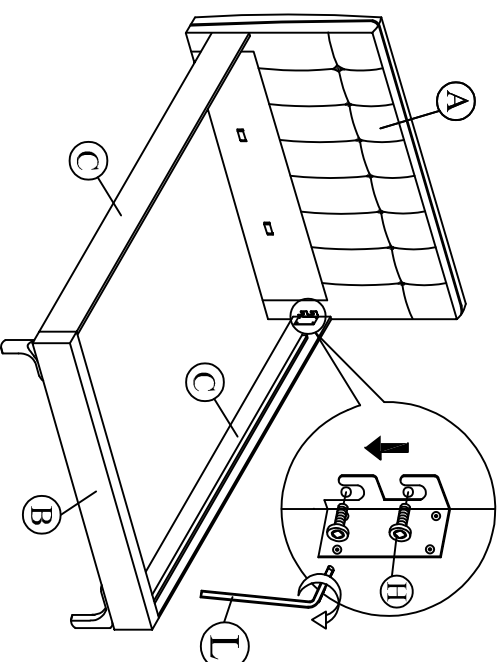
BACK VIEW

Step 3 : Attach the support legs (F) to the center rail (E) of the bed as shown.

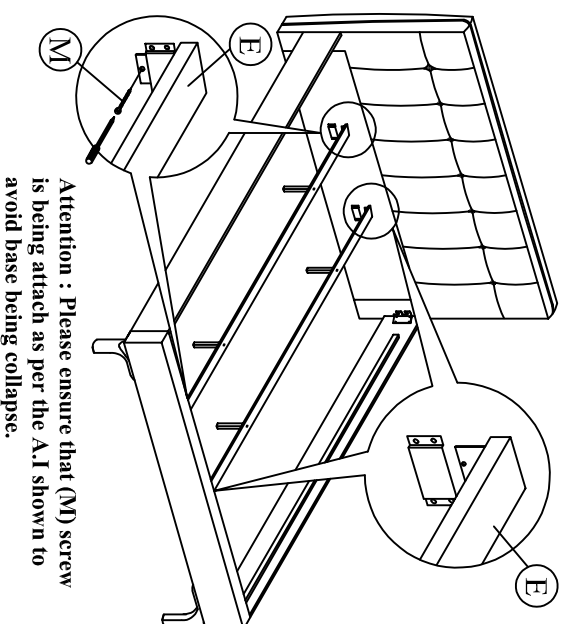


ATTENTION:
Please keep the adjuster around 5 to 8 mm distant away from the floor.

Step 2 : Attach side rail (C) to footboard (B) and headboard (A) by pushing the bracket down to fit it.



Step 4 : Slide the center rail (E) to the headboard (A) and footboard (B). Tighten screws (M) using screw driver (not included) to the headboard (A) and footboard (B).



Attention : Please ensure that (M) screw is being attach as per the A.1 shown to avoid base being collapse.

Step 5 : Affix the Slat (G) to the side rail support wood and the center rail (E). Tighten all the 4 corner.

