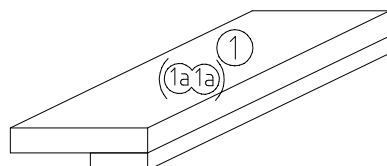
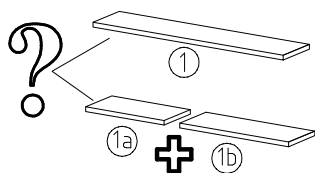
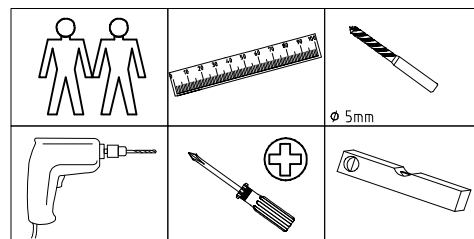
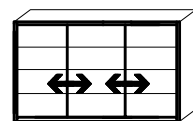
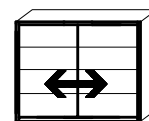
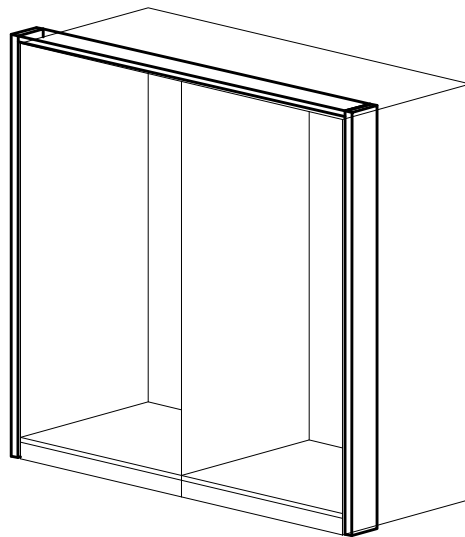
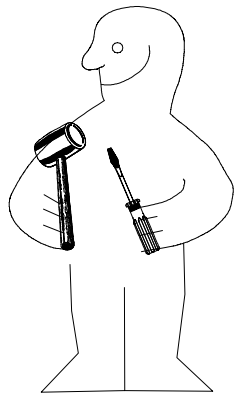
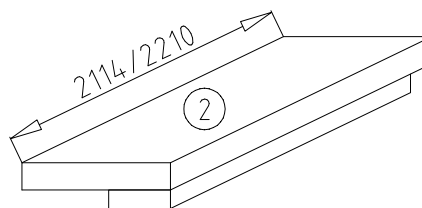
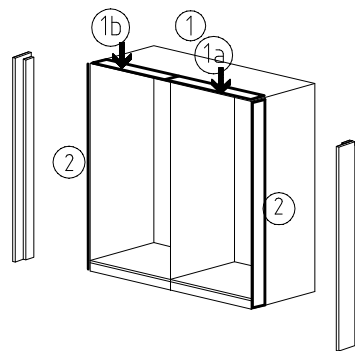


980027

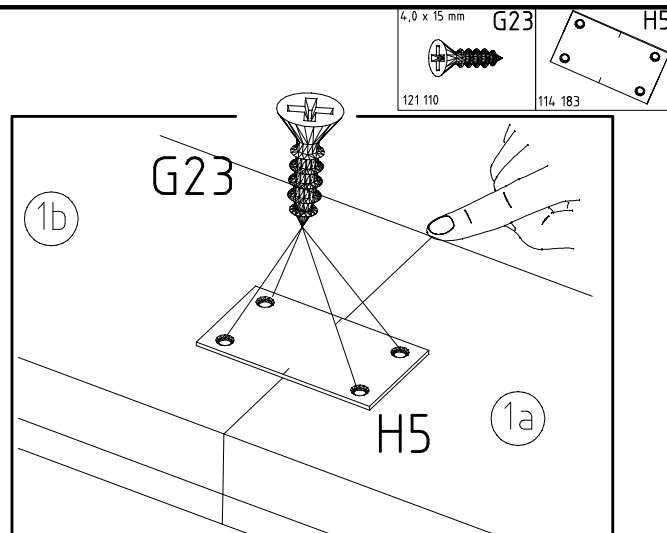
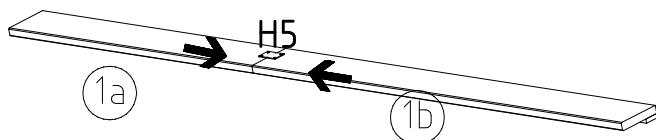
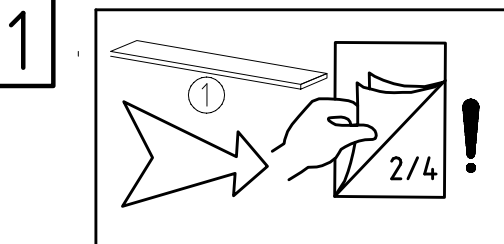


185x32+18



2x 188 x 32+15

4 X 27mm SP27 122620	10x 12x
114 183 4,0 x 15 mm G23	1x
121 110 121 xxx 4 X 50 mm SP51	4x 6x 8x



980027

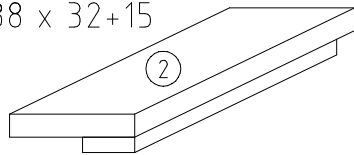
12.03.16 / 18.05.18

05 18

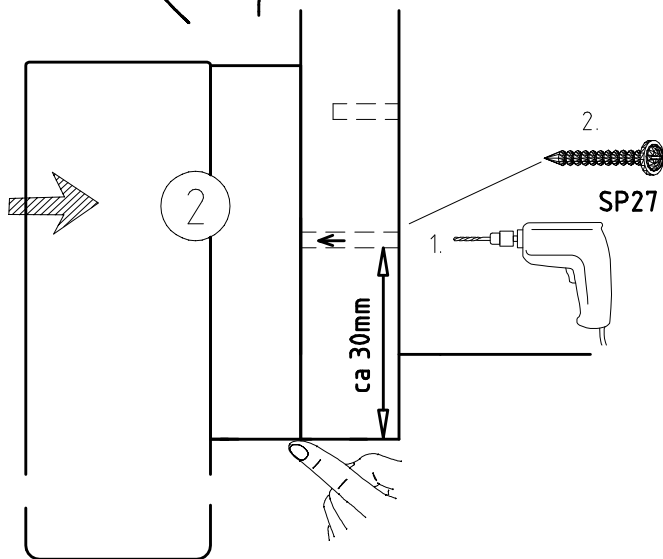
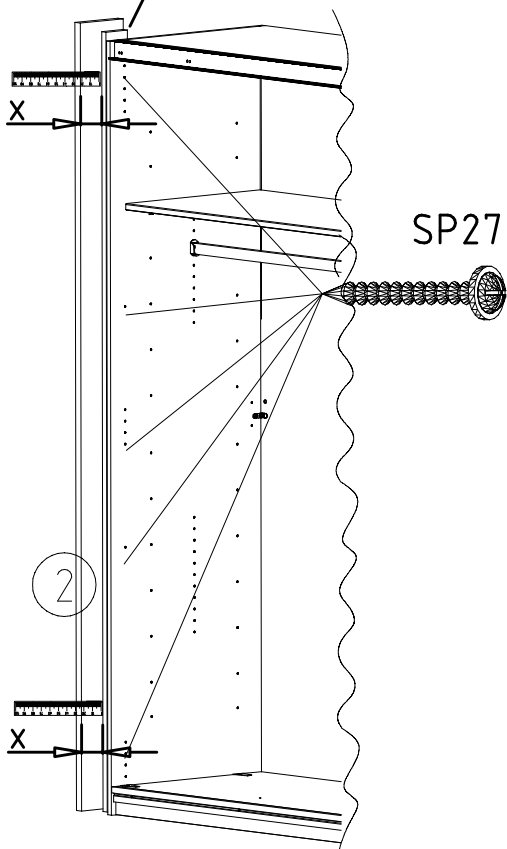
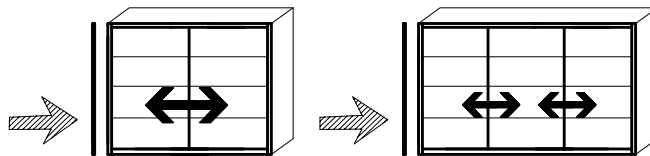
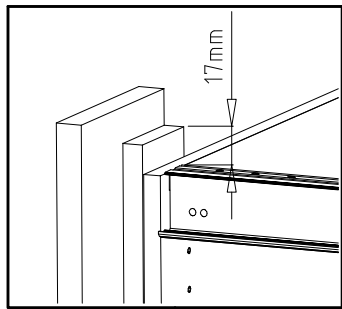
1/4

2

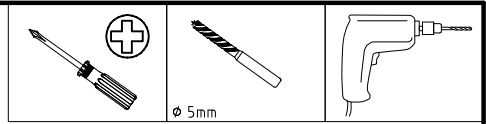
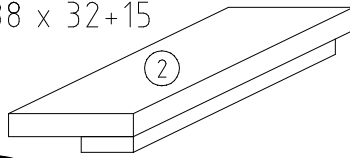
188 x 32+15



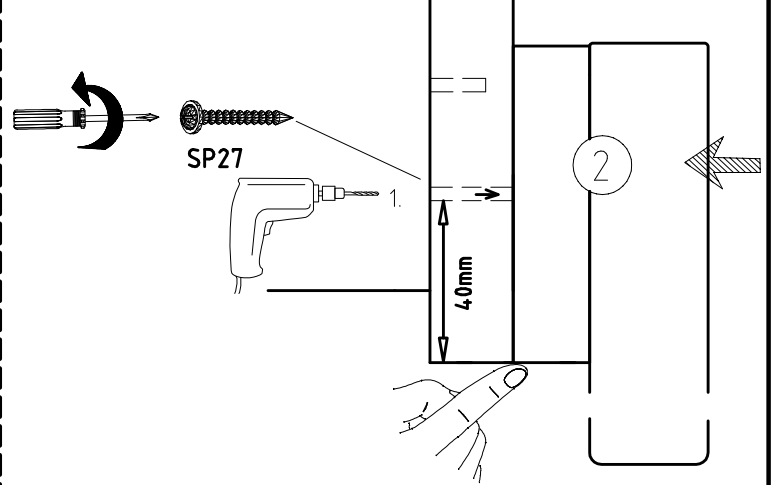
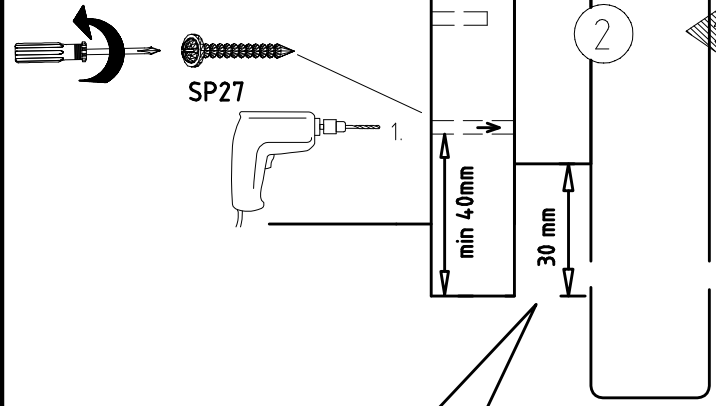
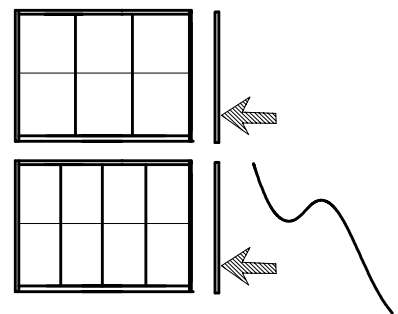
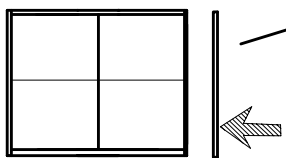
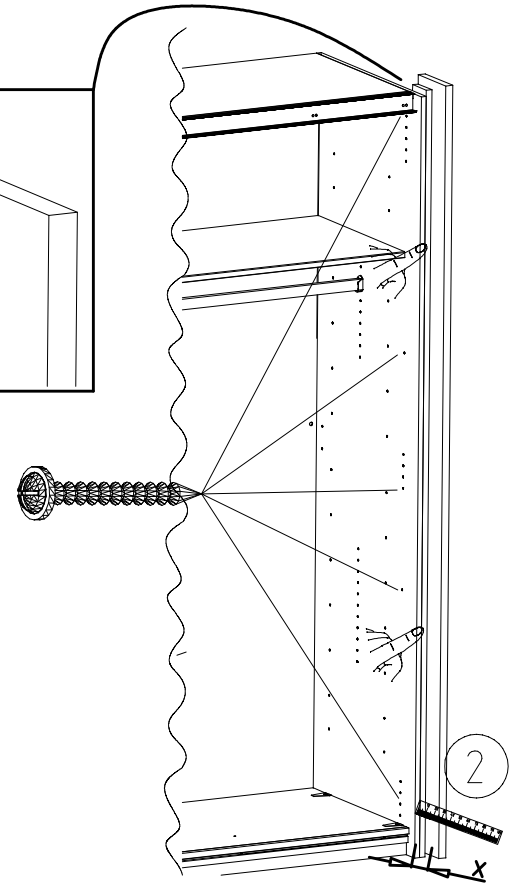
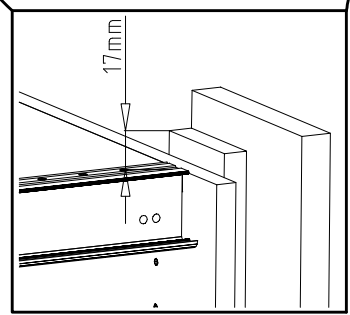
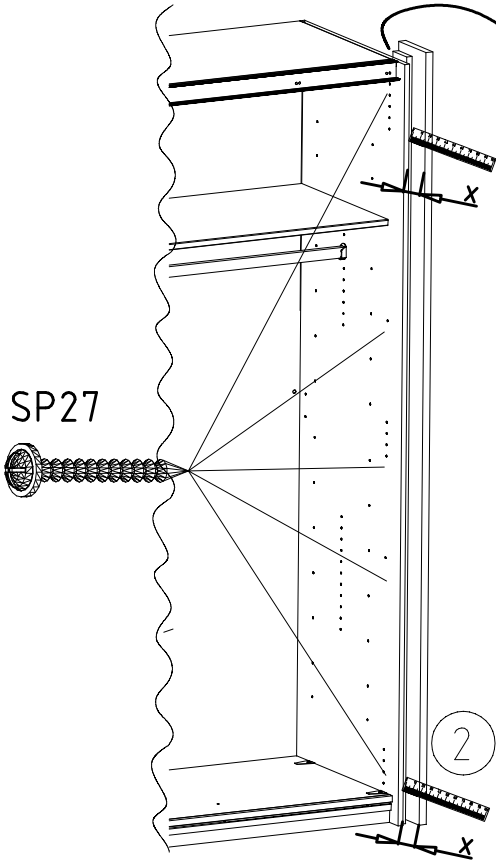
SP27
4 x 27mm
122620



188 x 32+15



SP27



4

