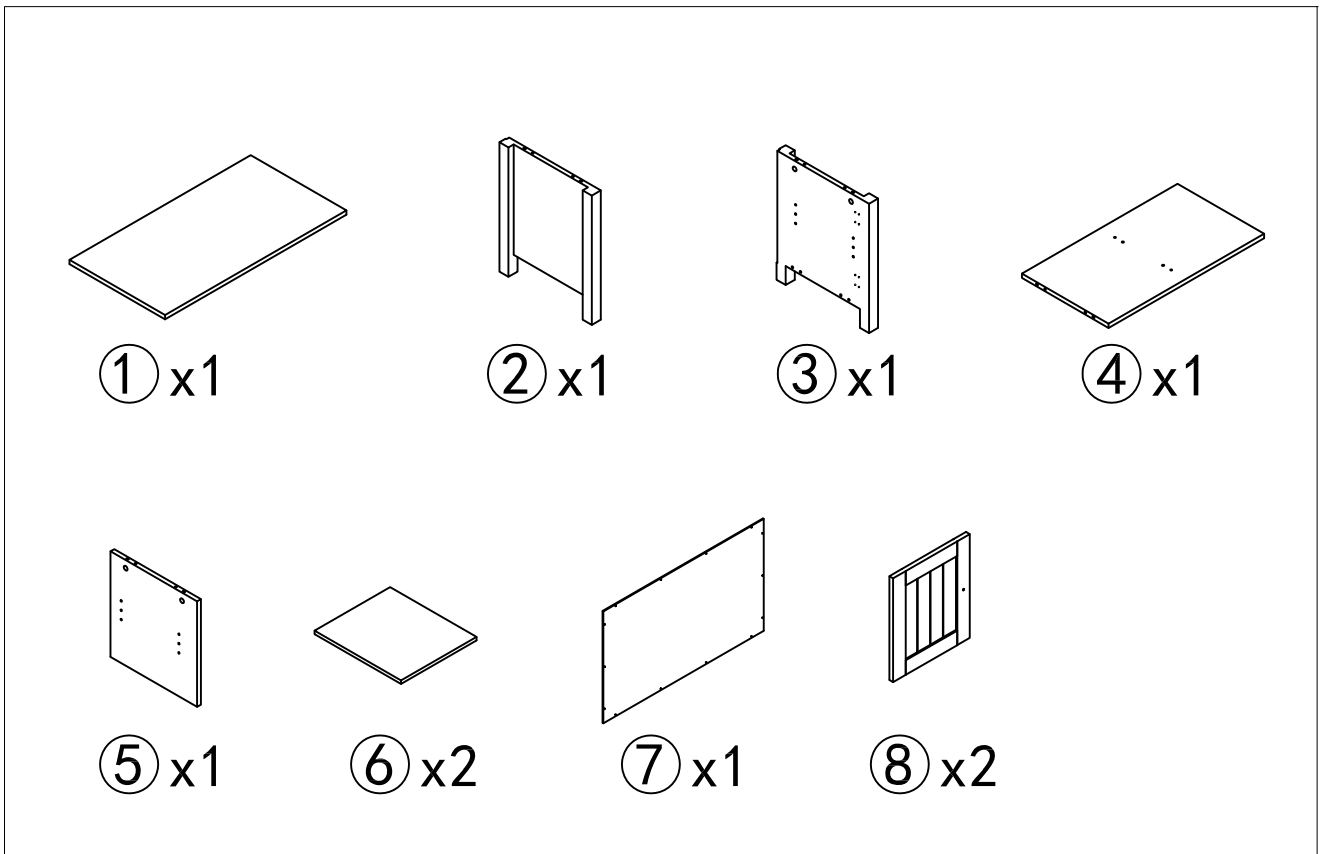
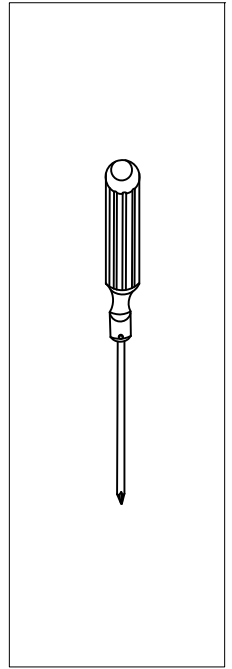
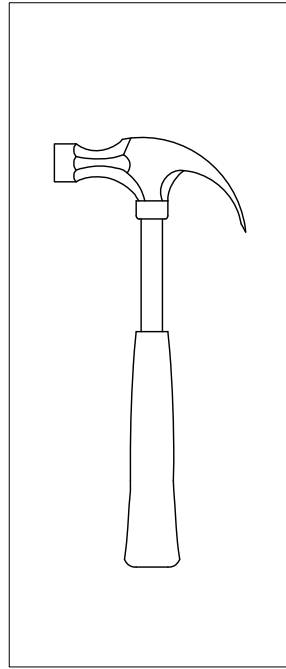
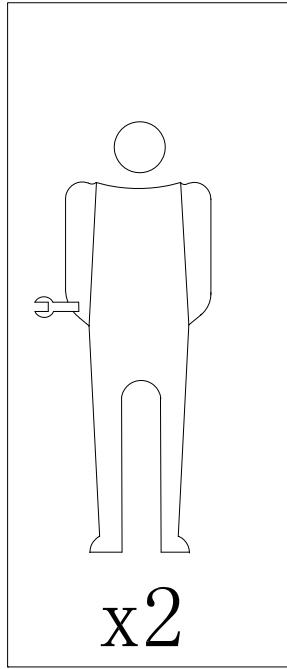
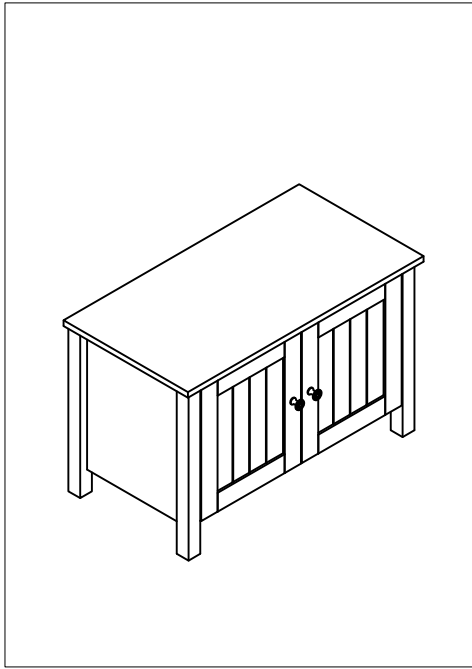



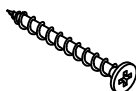


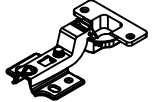






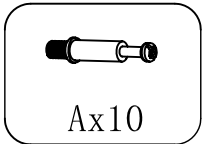
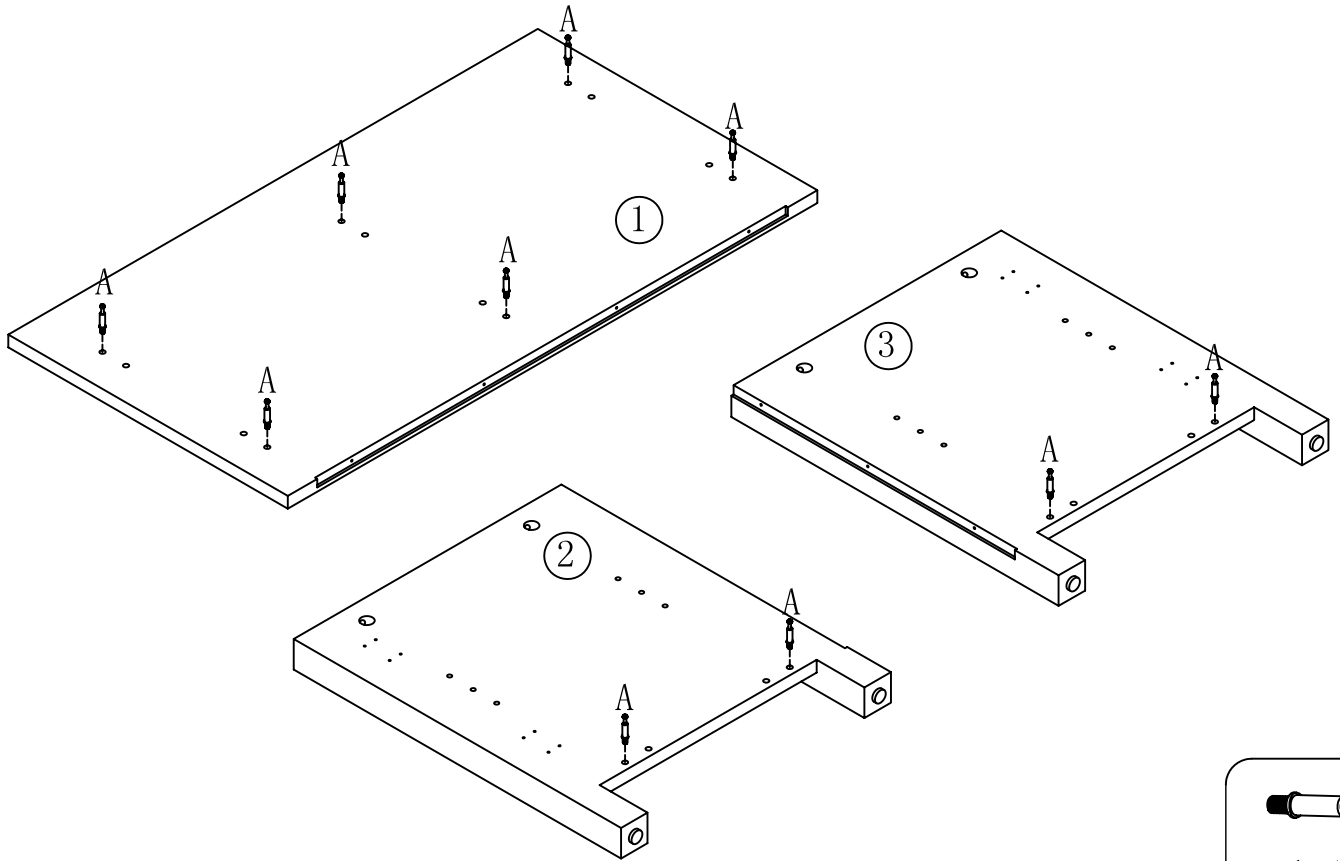
INSTRUCTION SHEET

04290023/01

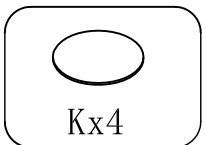
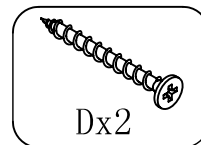
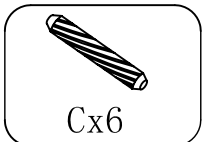
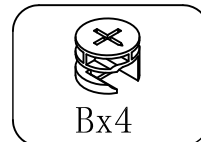
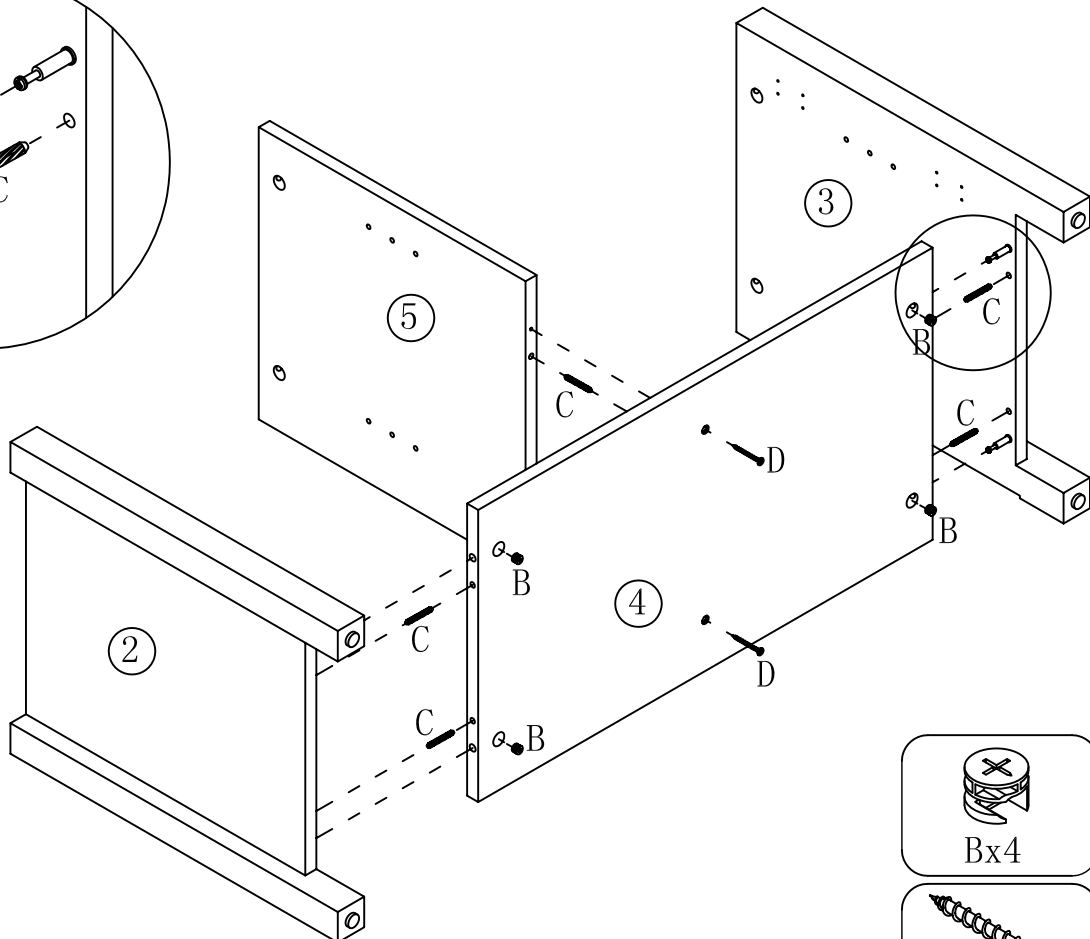
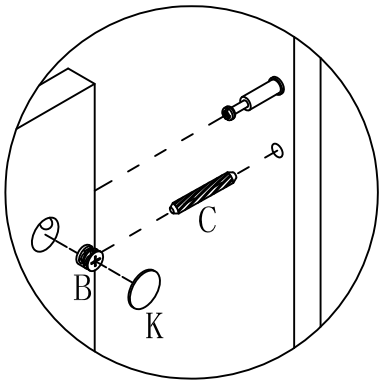


 6*35mm A × 10	 15*12mm B × 10	 6*30mm C × 12	 5*35mm D × 2	 3*12mm E × 14	 5*15mm F × 8
 G × 4	 4*14mm H × 24	 4*18mm I × 2	 J × 2	 K × 10	

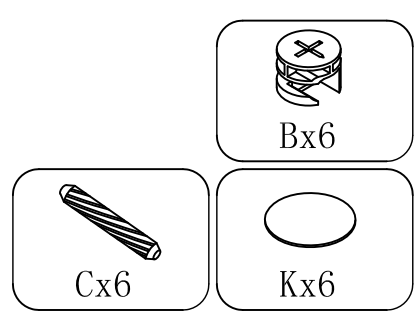
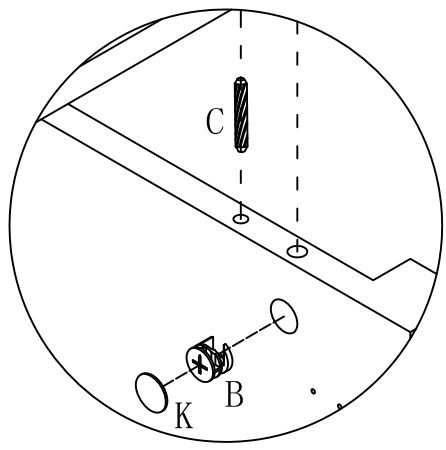
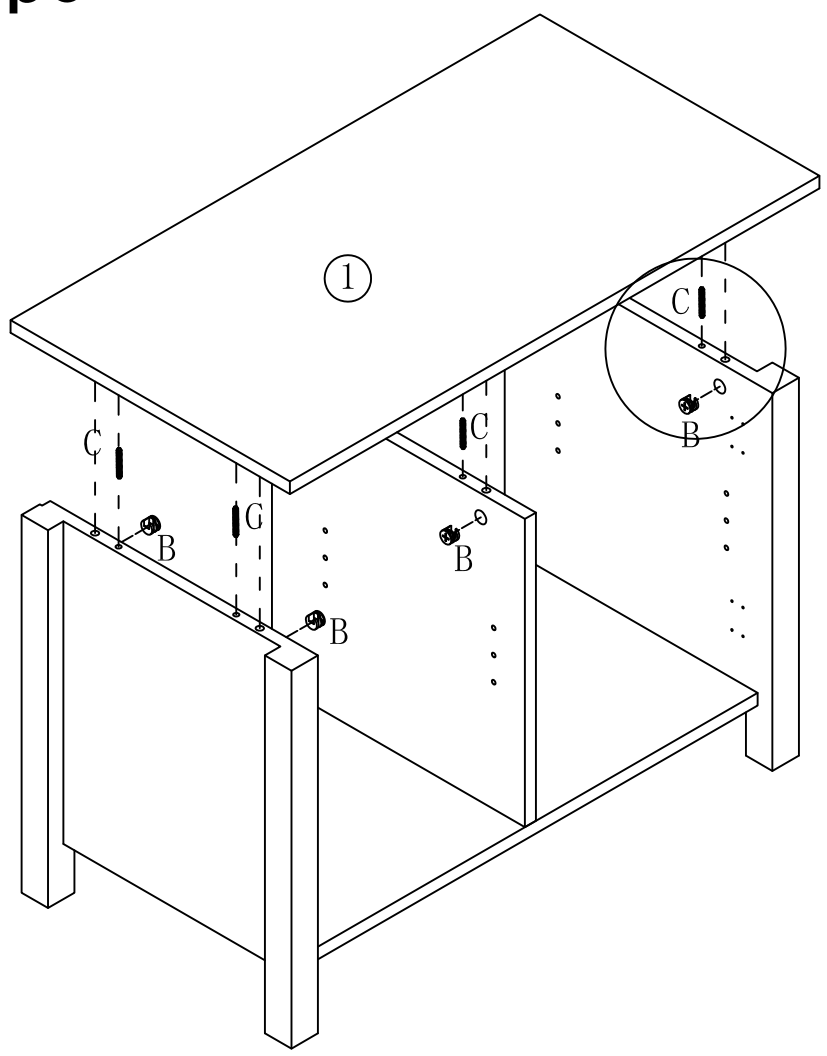
Step1



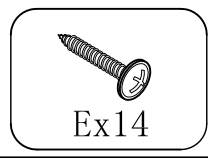
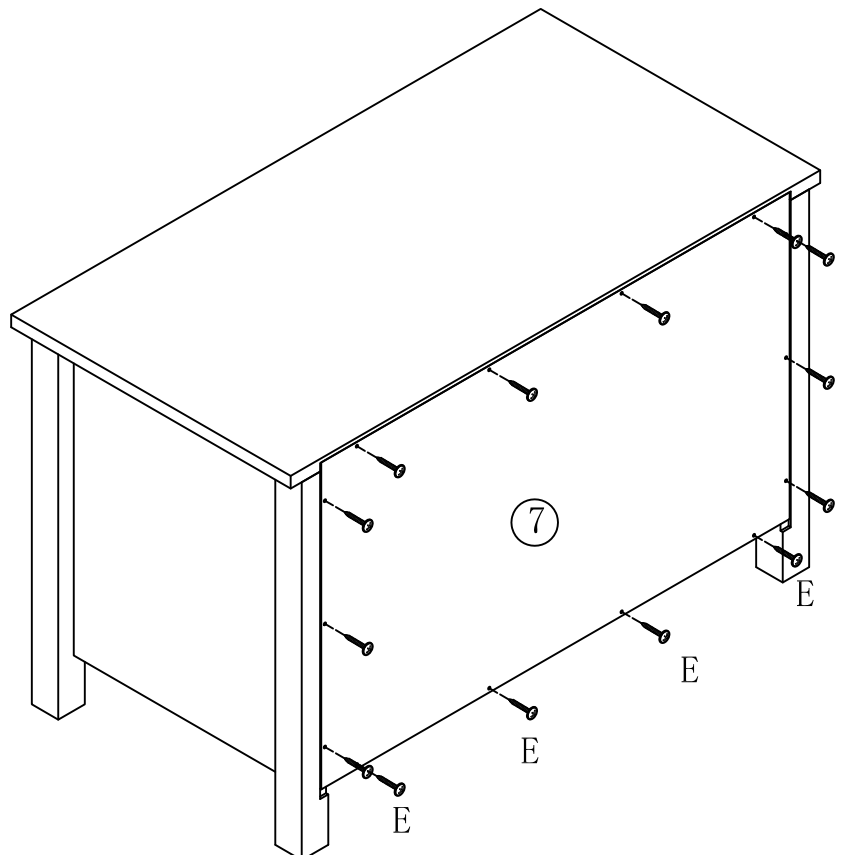
Step2



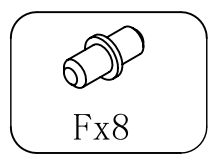
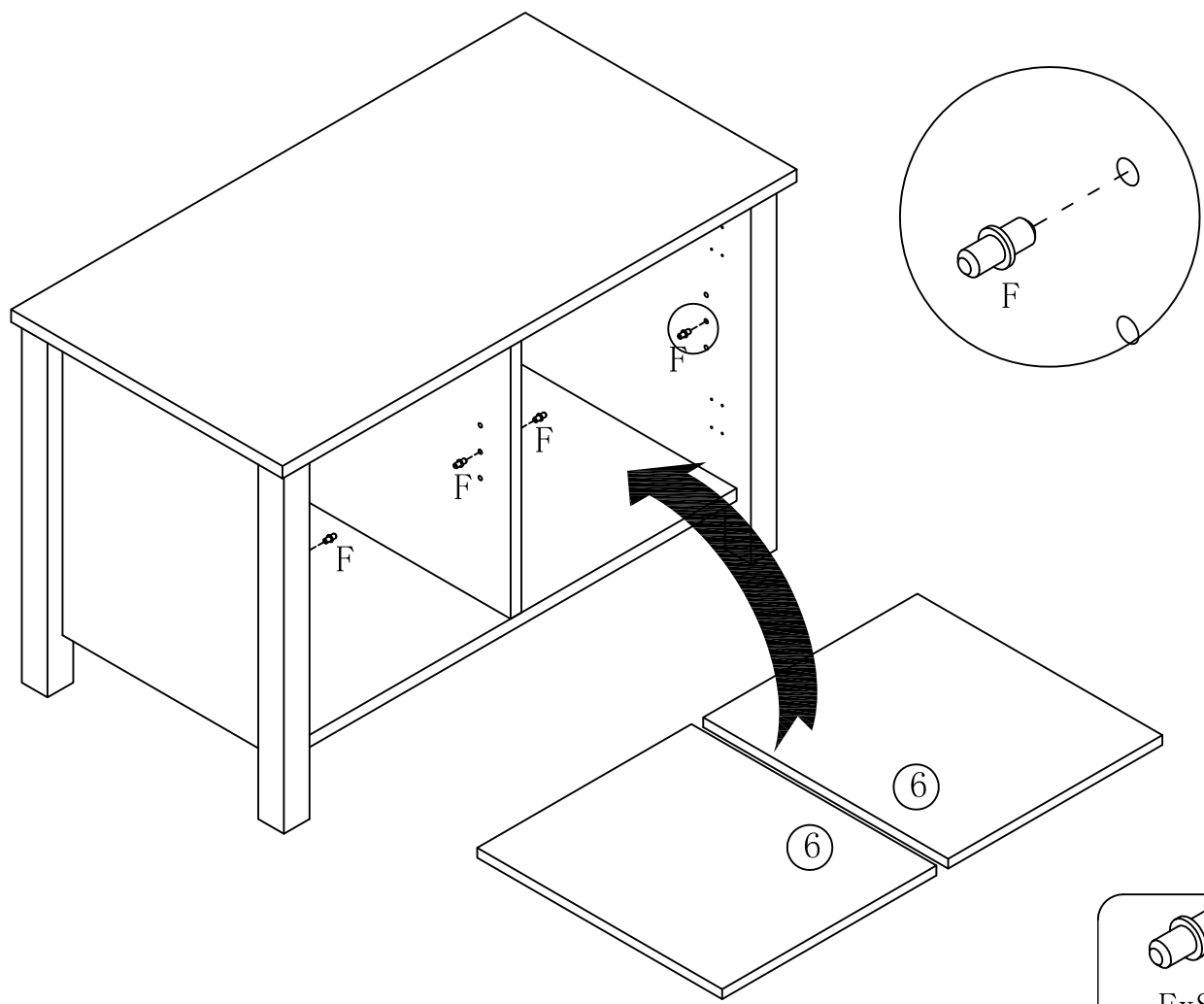
Step3



Step4

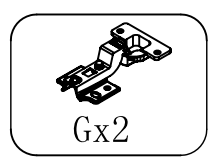
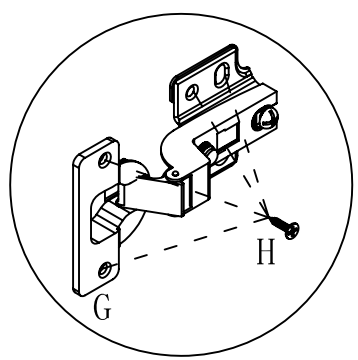
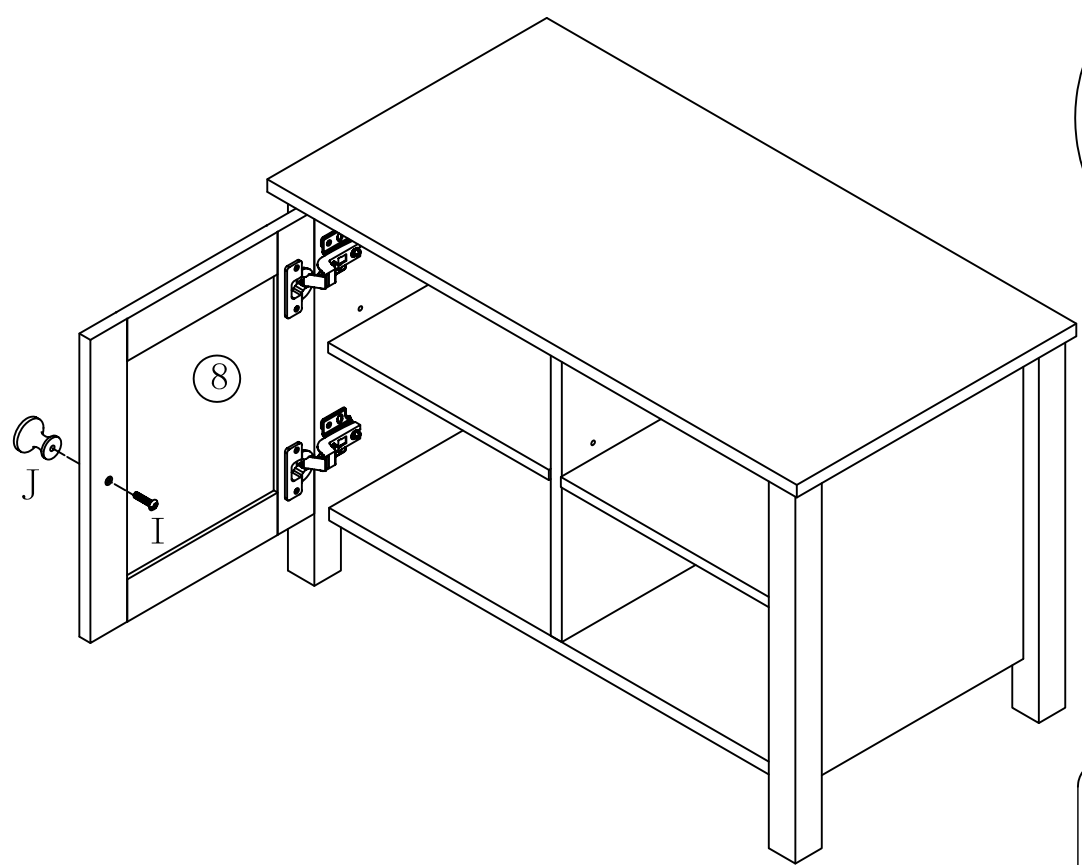


Step5

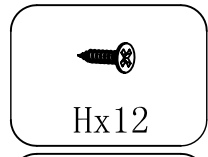


Fx8

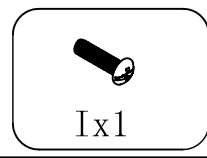
Step6



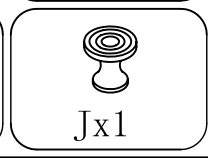
Gx2



Hx12

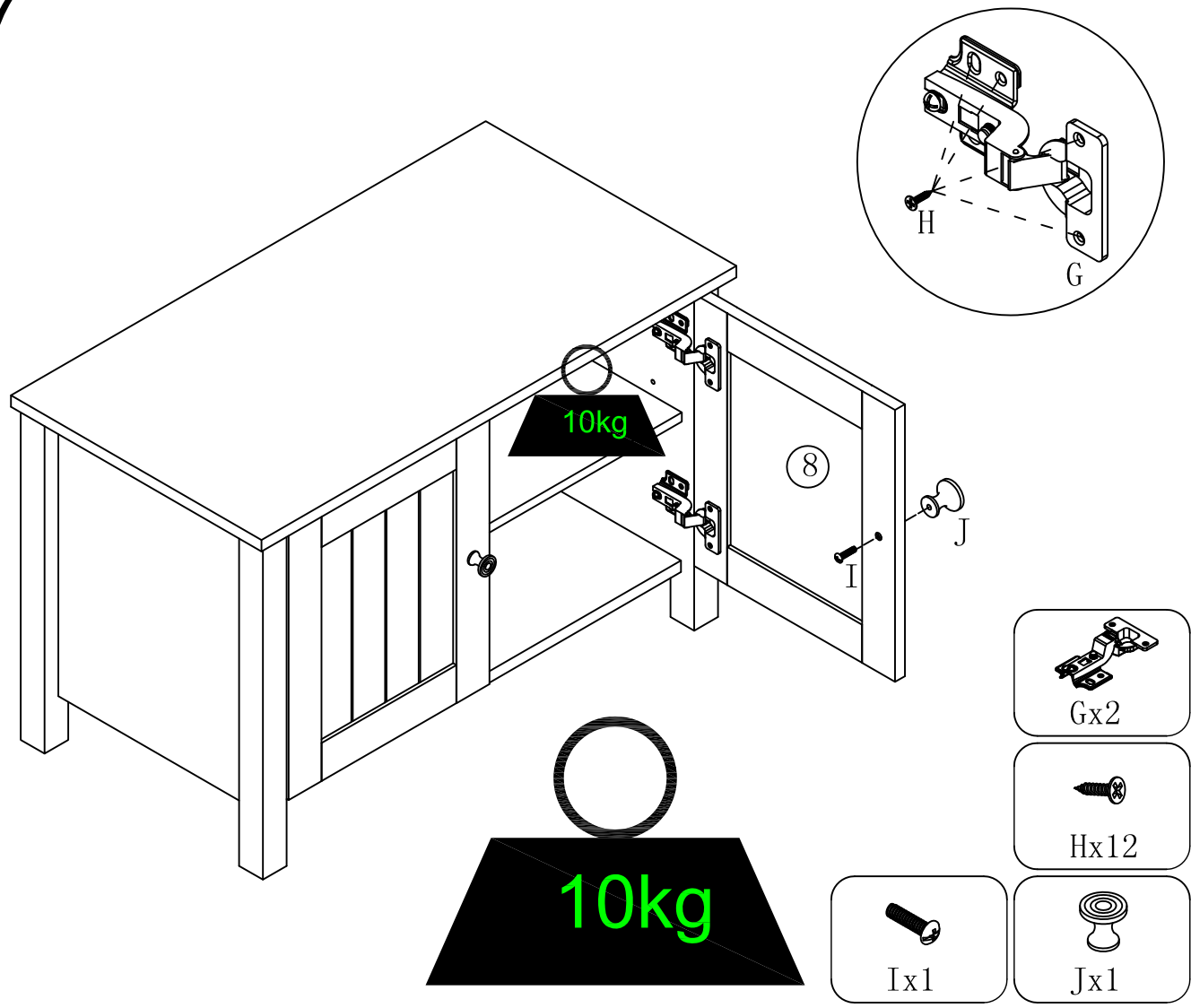


Ix1



Jx1

Step7



Step8

