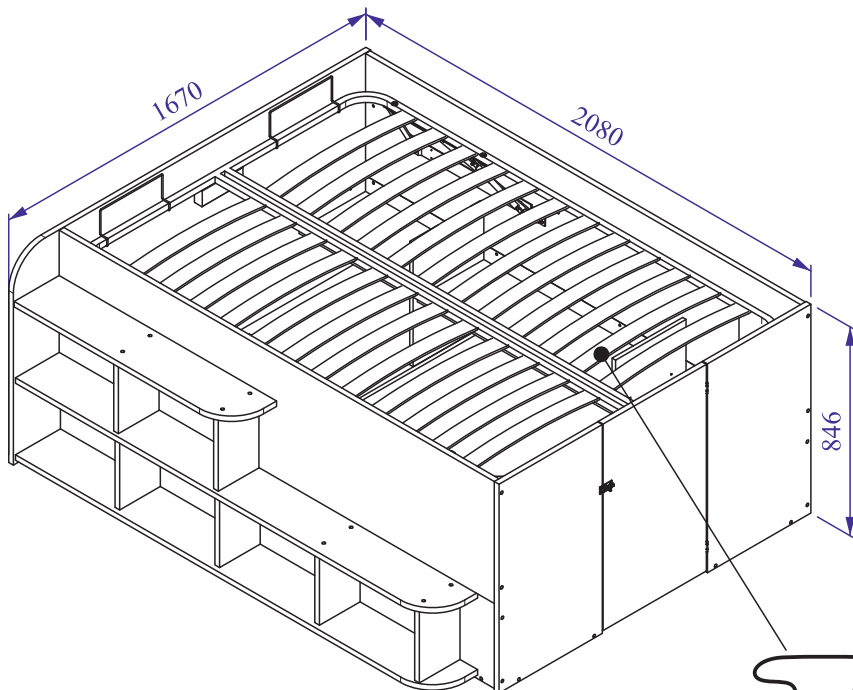
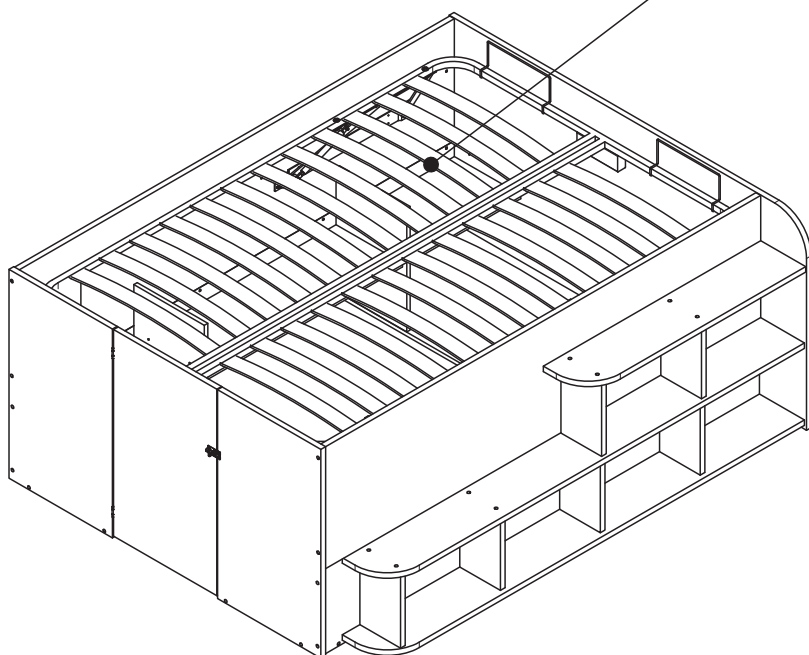


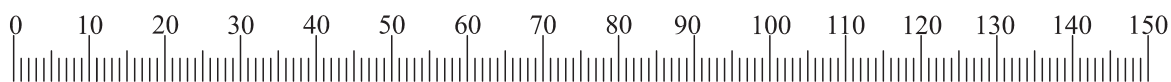
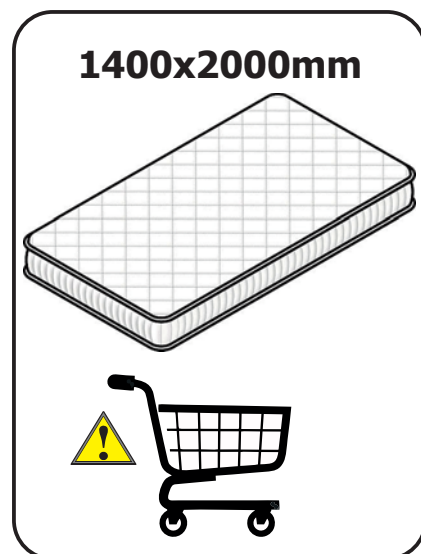
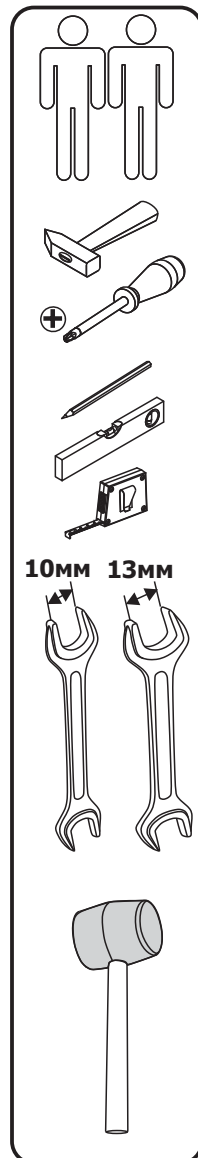
Variant 1

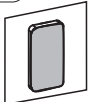

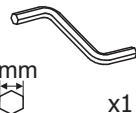

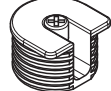
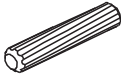







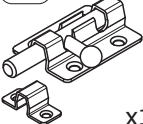


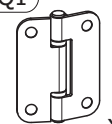
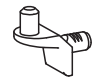
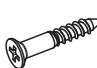
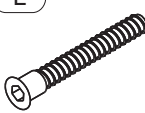
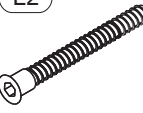

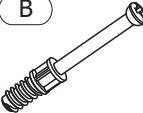
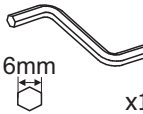
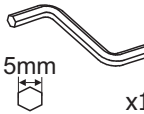
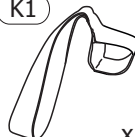
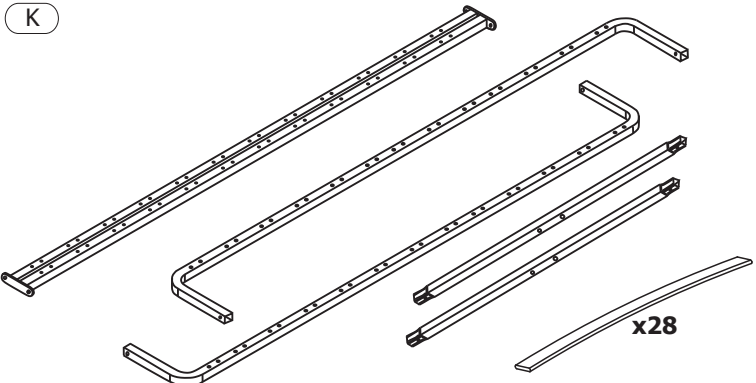
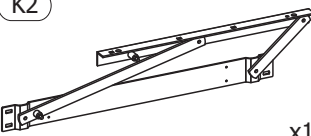
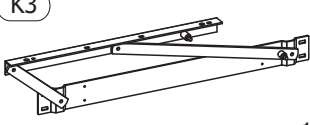
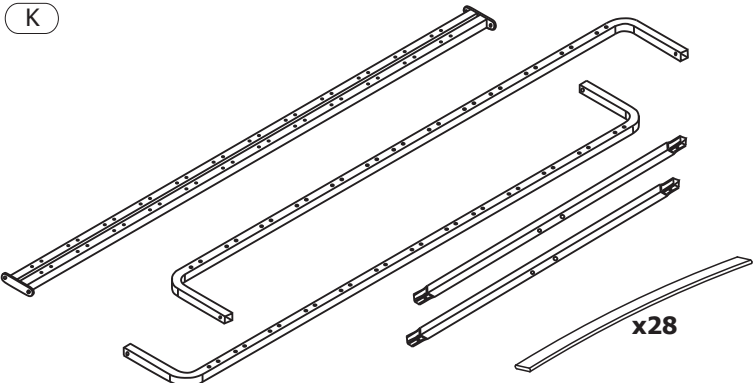
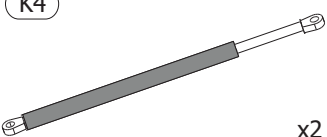



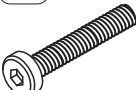









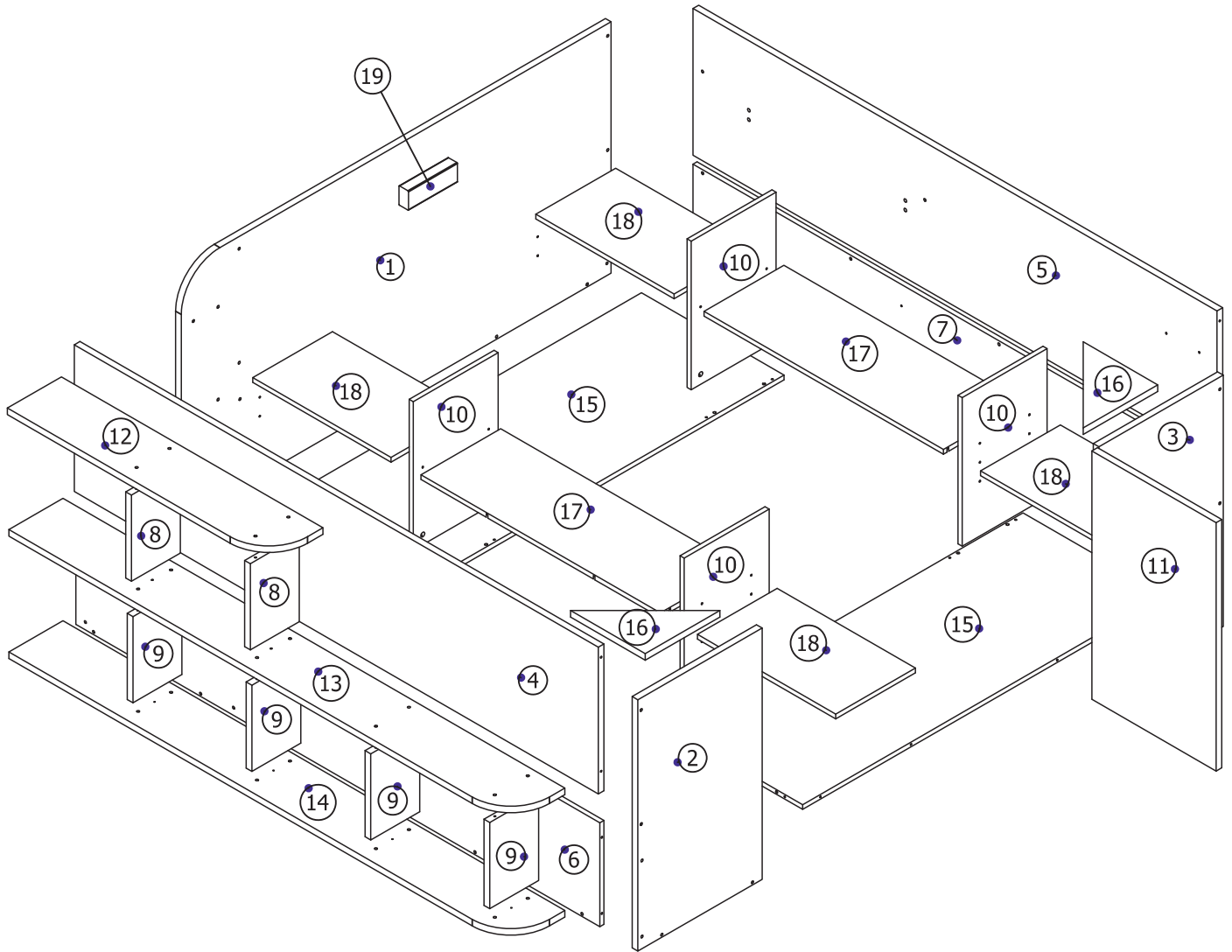
Variant 2




max
160kg



				J1	C	F	Z	C1										
																		
				x3	Ø15x12 x10	4mm x1	Ø4x45 x2	x12										
A	L1	B1	E3	H	H1	E1	W	Y										
																		
Ø8x30 x16	Ø3x16 x14	Ø7x11 x12	Ø6.3x13 x16	Ø8 x10	Ø5 x12	Ø12 x56	Ø20 x2	x1										
D	J	Q1	G2	M2	E	E2	I	B										
																		
Ø18 x10	x4	x2	x16	Ø4x25 x4	Ø7x50 x52	Ø7x70 x16	x8	Ø7x45 x10										
K16		K17	K1	K														
																		
6mm x1		5mm x1	x1															
K2	K3																	
																		
x1	x1																	
K4	K5	K6																
																		
x2	M6 x4	Ø6 x4																
K7	K8	K9												K10	K11	K12	K13	K14
																		
M8 x4	M8x50 x4	Ø8 x4						M8x20 x8						M8x20 x4	M6x13 x8	M6x16 x8	x56	x2

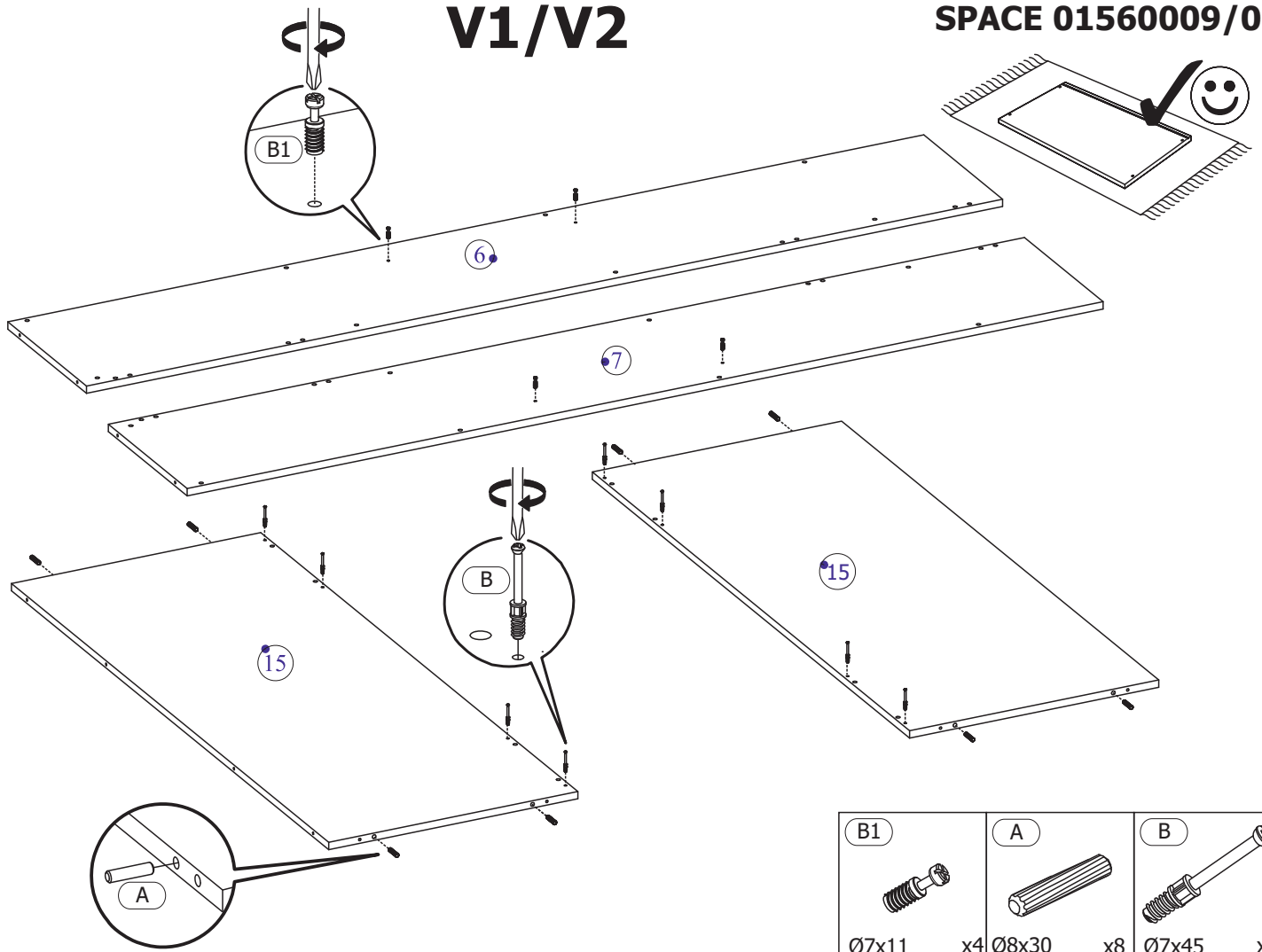


№	L	B	S	Q	
1	1670	846	22	1	3/6
2	483	846	22	1	3/6
3	483	846	22	1	3/6
4	2036	494	22	1	2/6
5	2036	494	22	1	2/6
6	2036	350	16	1	1/6
7	2036	350	16	1	1/6
8	290	190	22	2	4/6
9	290	190	22	4	4/6
10	500	330	16	4	1/6
11	483	836	22	1	5/6
12	1016	210	22	1	4/6
13	1950	210	22	1	4/6
14	1950	210	22	1	4/6
15	1410	554	16	2	5/6
16	290	290	22	2	5/6
17	930	310	16	2	1/6
18	537	310	16	4	5/6
19	146	65	37	1	1/6

1

V1/V2

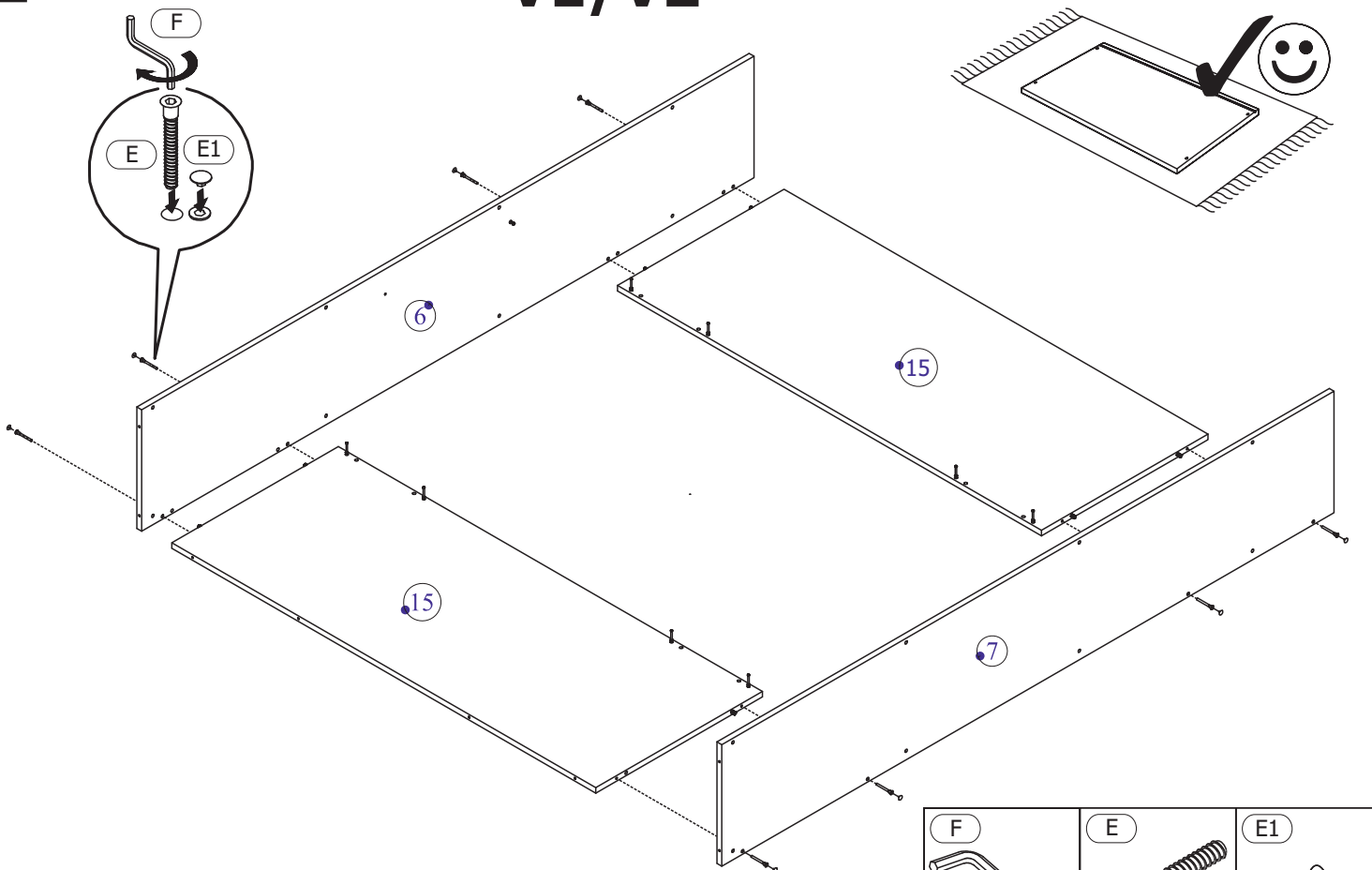
SPACE 01560009/01



B1	A	B
Ø7x11 x4	Ø8x30 x8	Ø7x45 x8

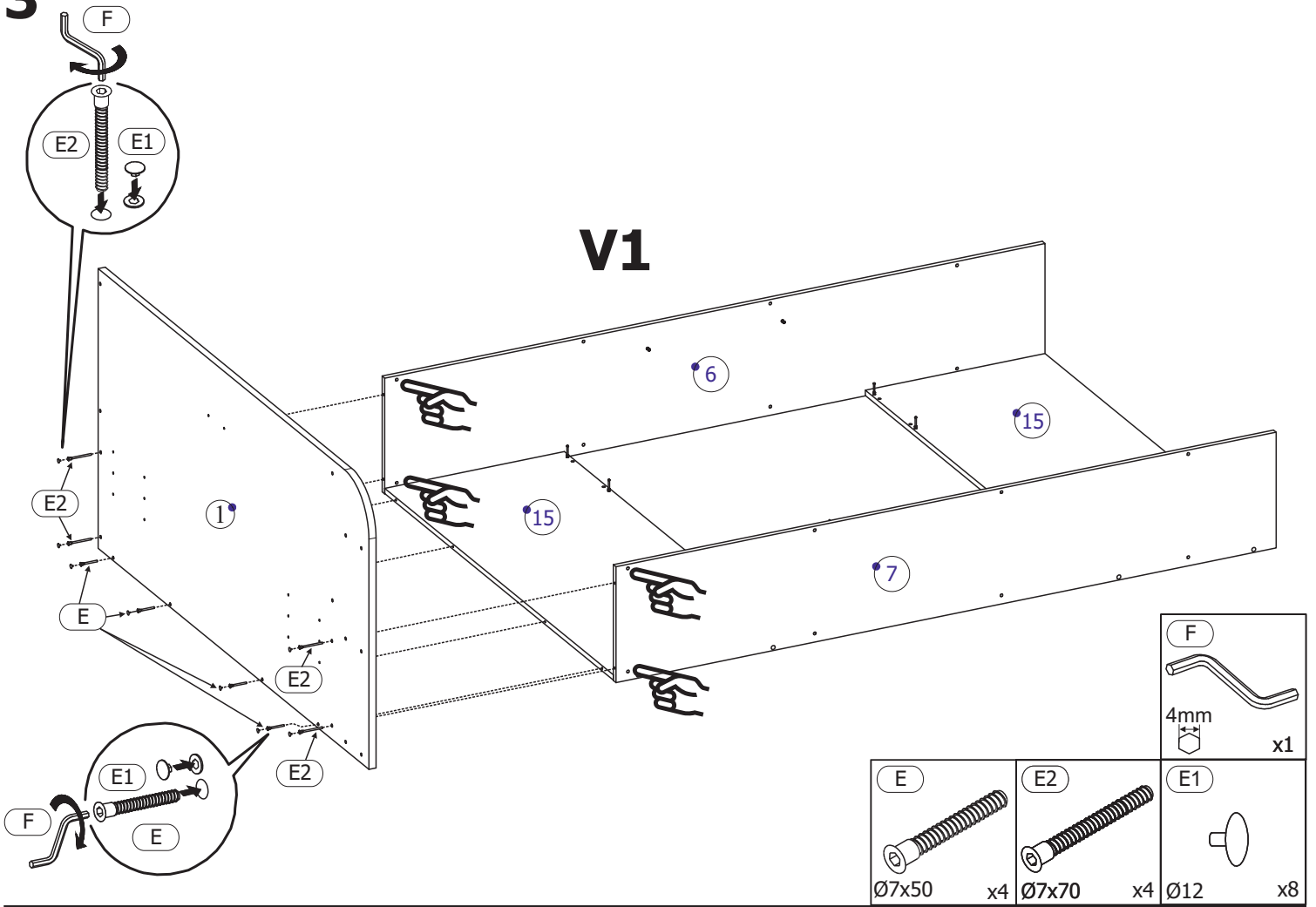
2

V1/V2

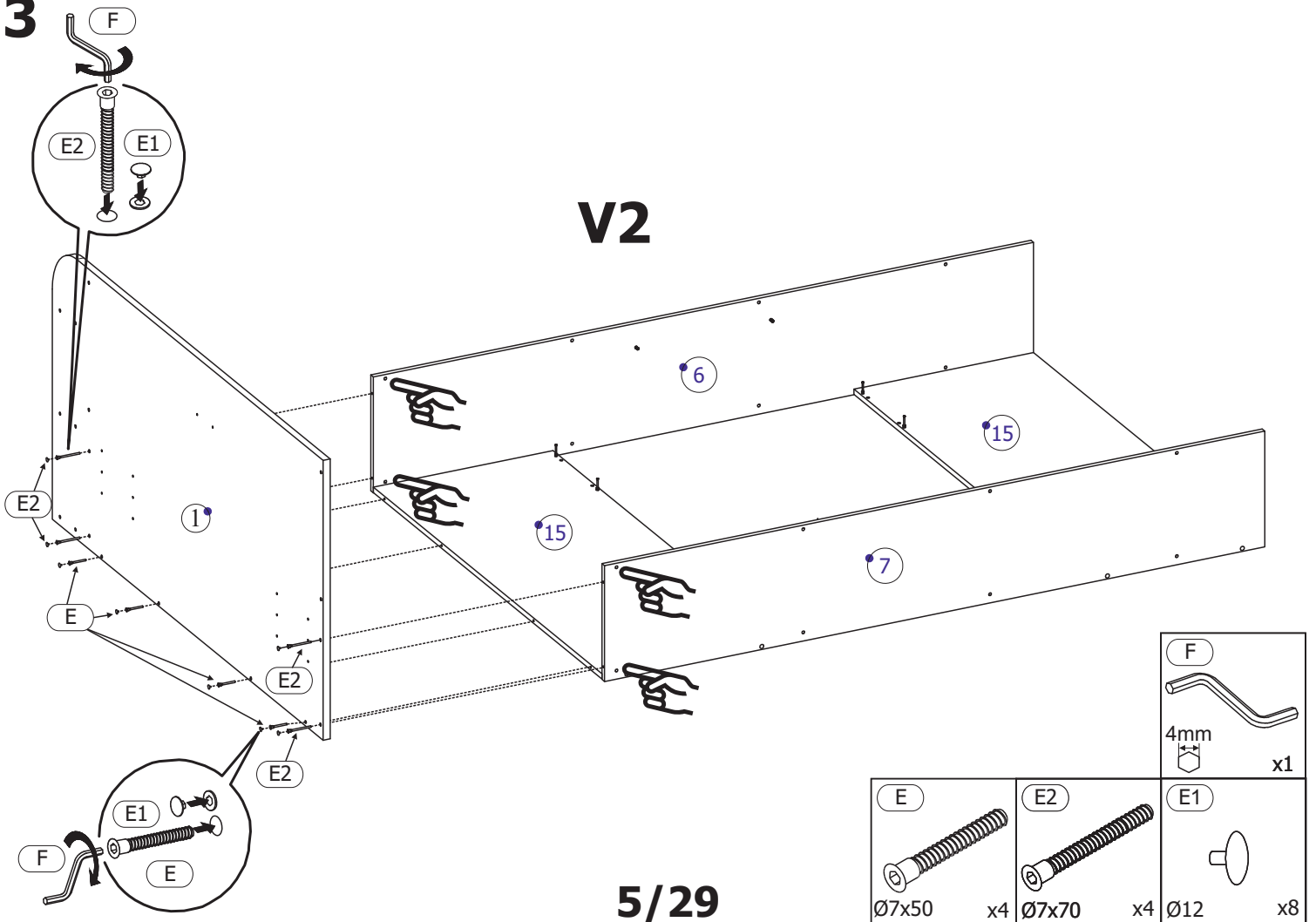


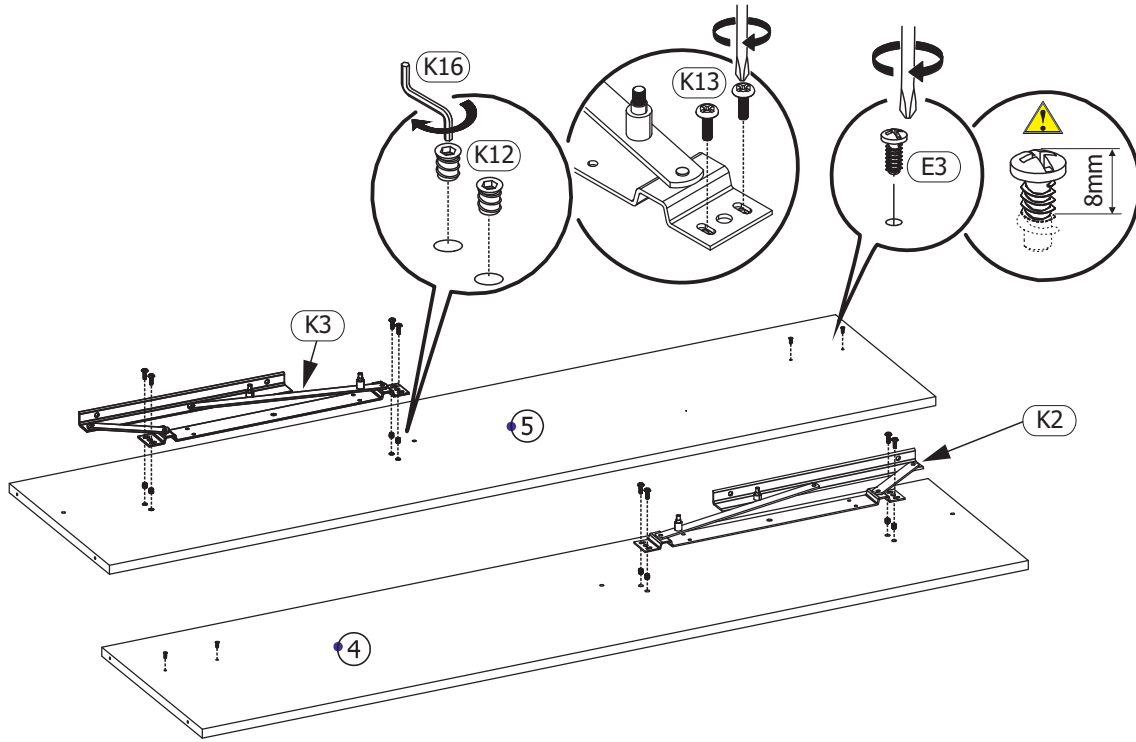
F	E	E1
4mm x1	Ø7x50 x8	Ø12 x8

3

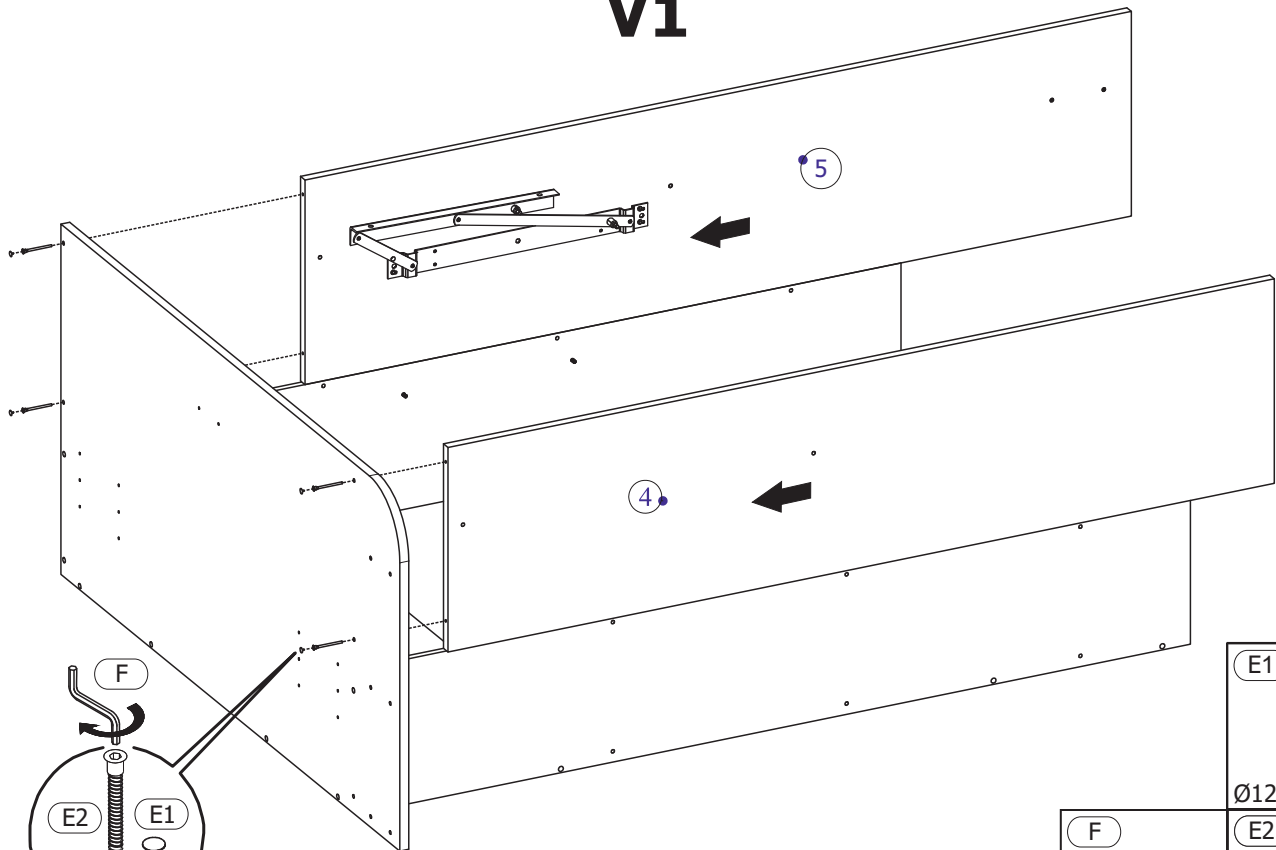


3



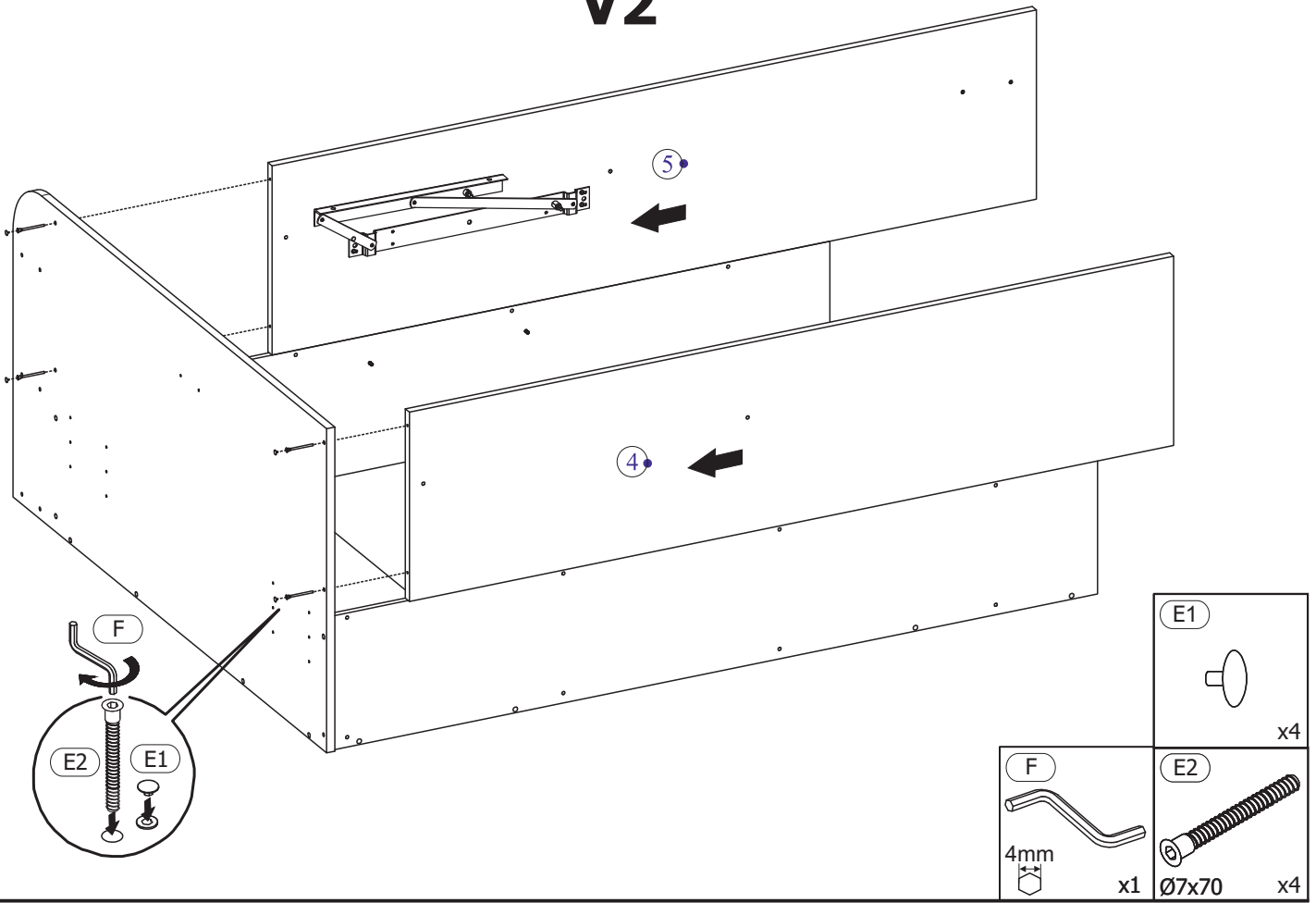


<p>K2</p> <p>x1</p>	<p>K3</p> <p>x1</p>	<p>E3</p> <p>Ø6.3x13 x4</p>	<p>K13</p> <p>M6x16 x8</p> <p>K16</p> <p>6mm x1</p> <p>K12</p> <p>M6x13 x8</p>
---------------------	---------------------	-----------------------------	--

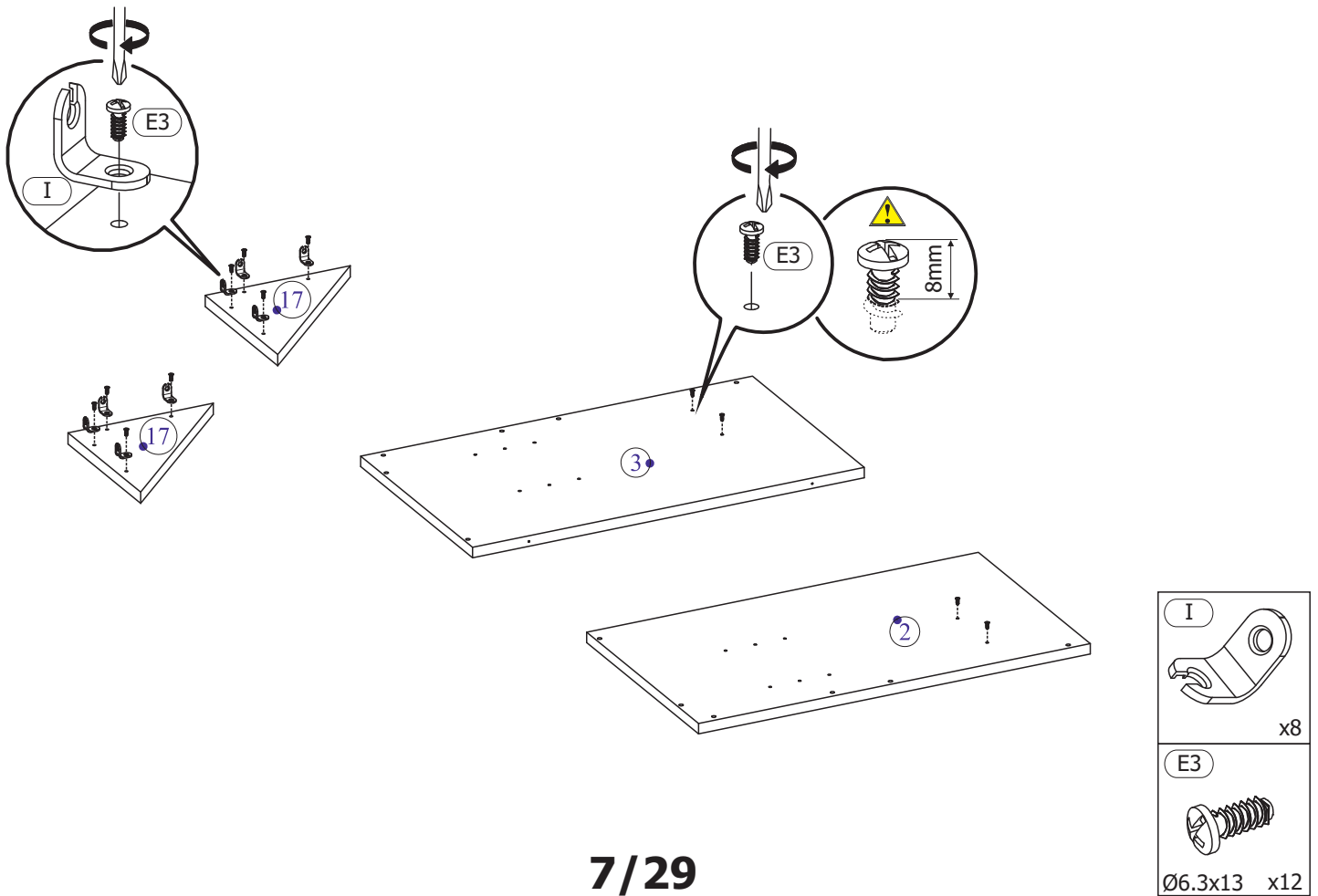


<p>F</p> <p>4mm x1</p>	<p>E1</p> <p>Ø12 x4</p> <p>E2</p> <p>Ø7x70 x4</p>
------------------------	---

V2



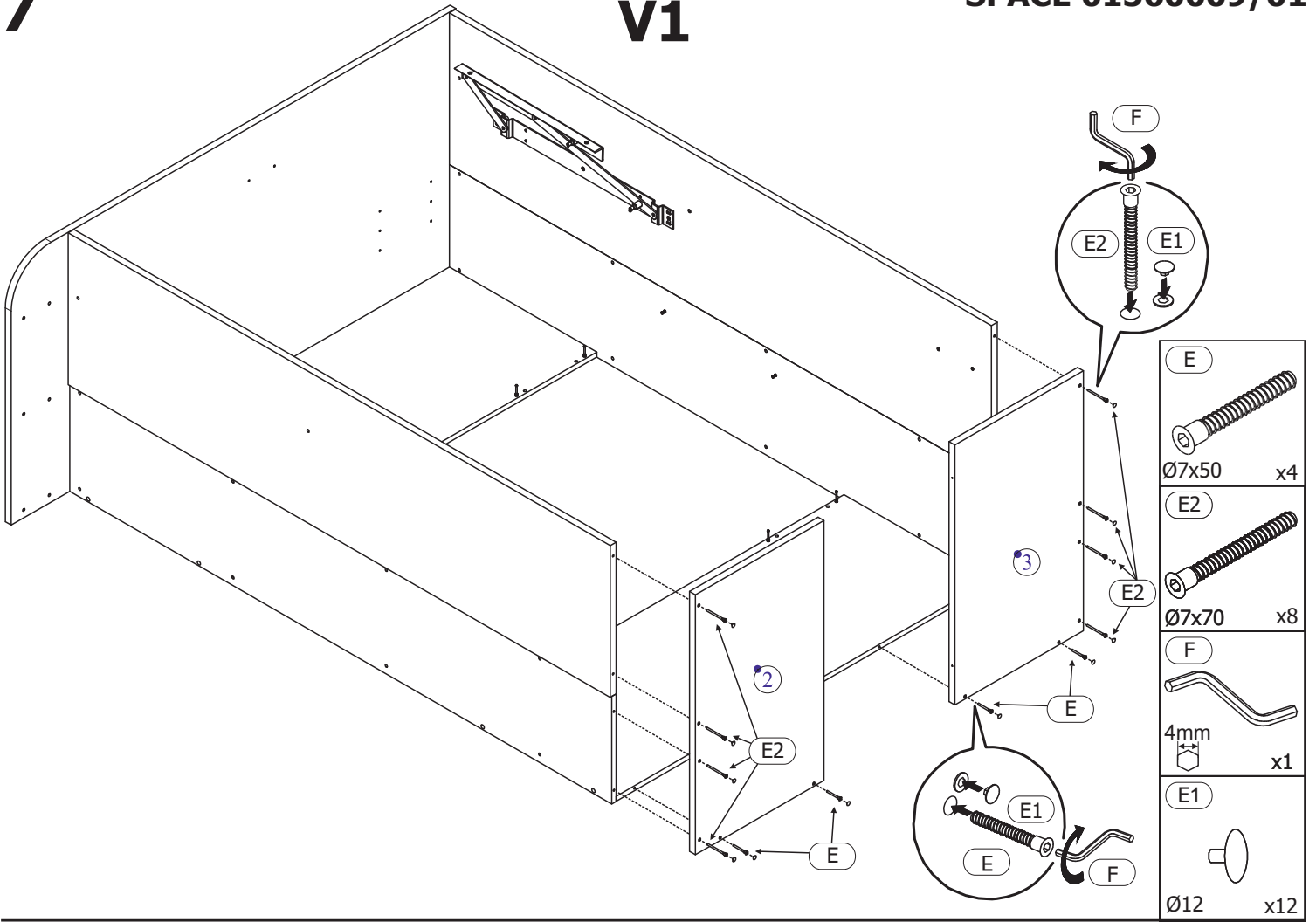
V1/V2



7

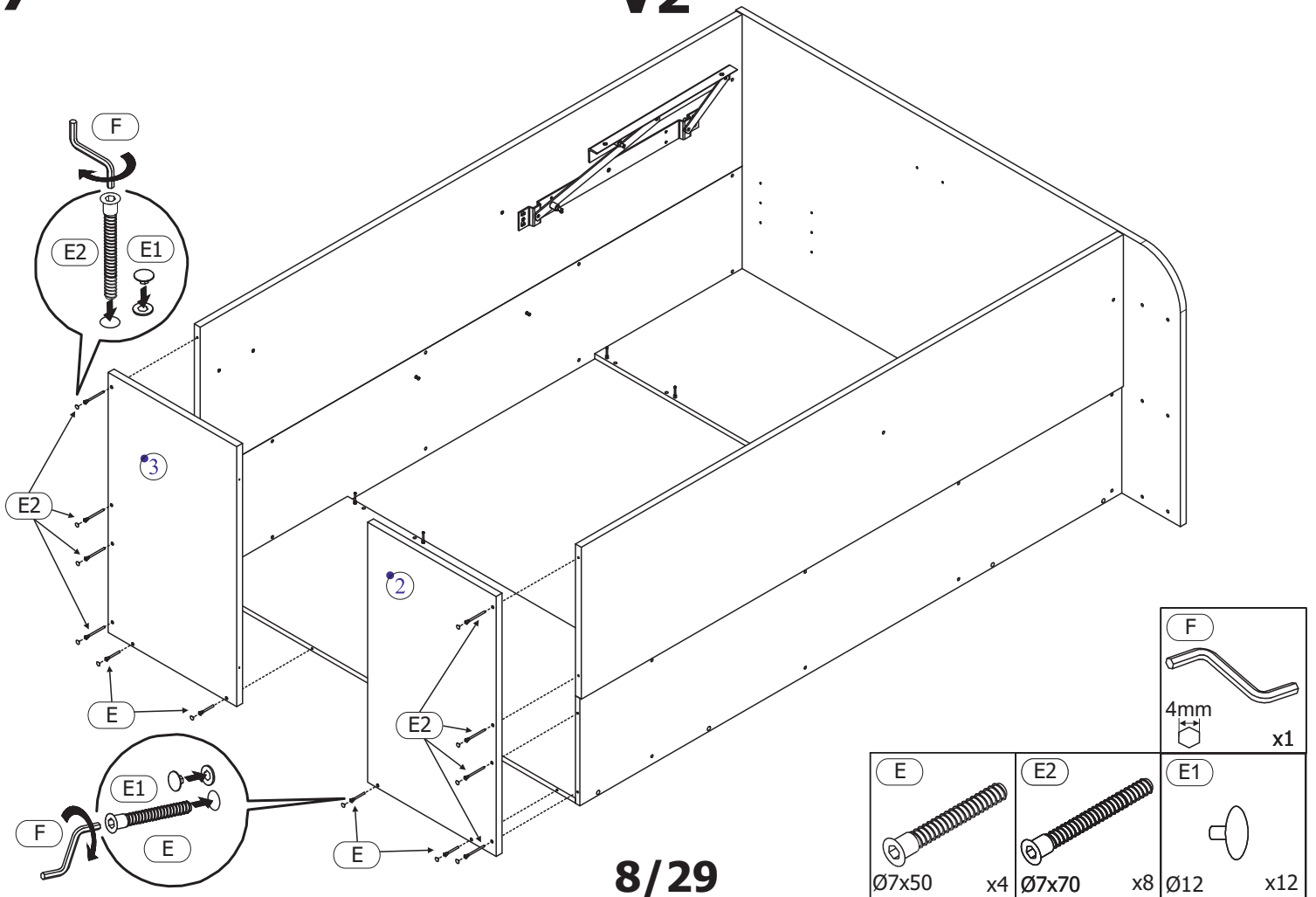
V1

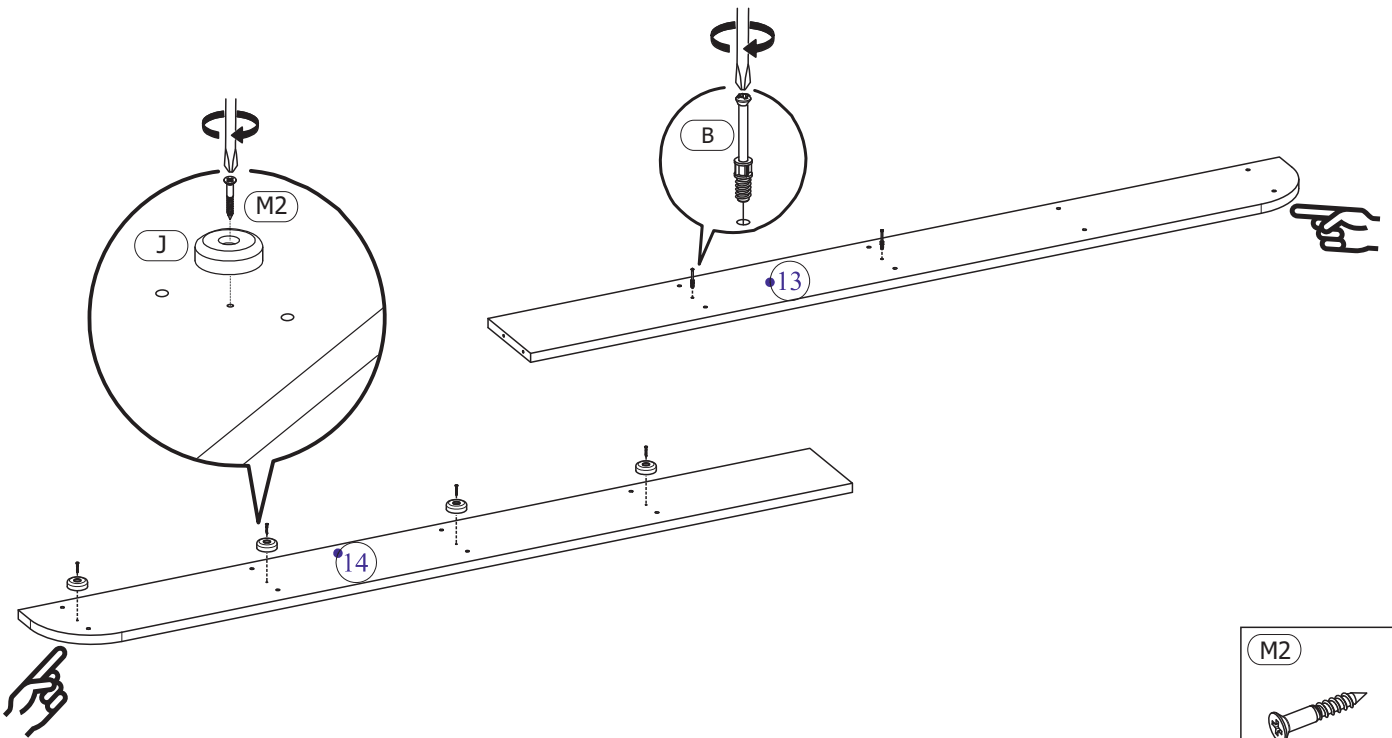
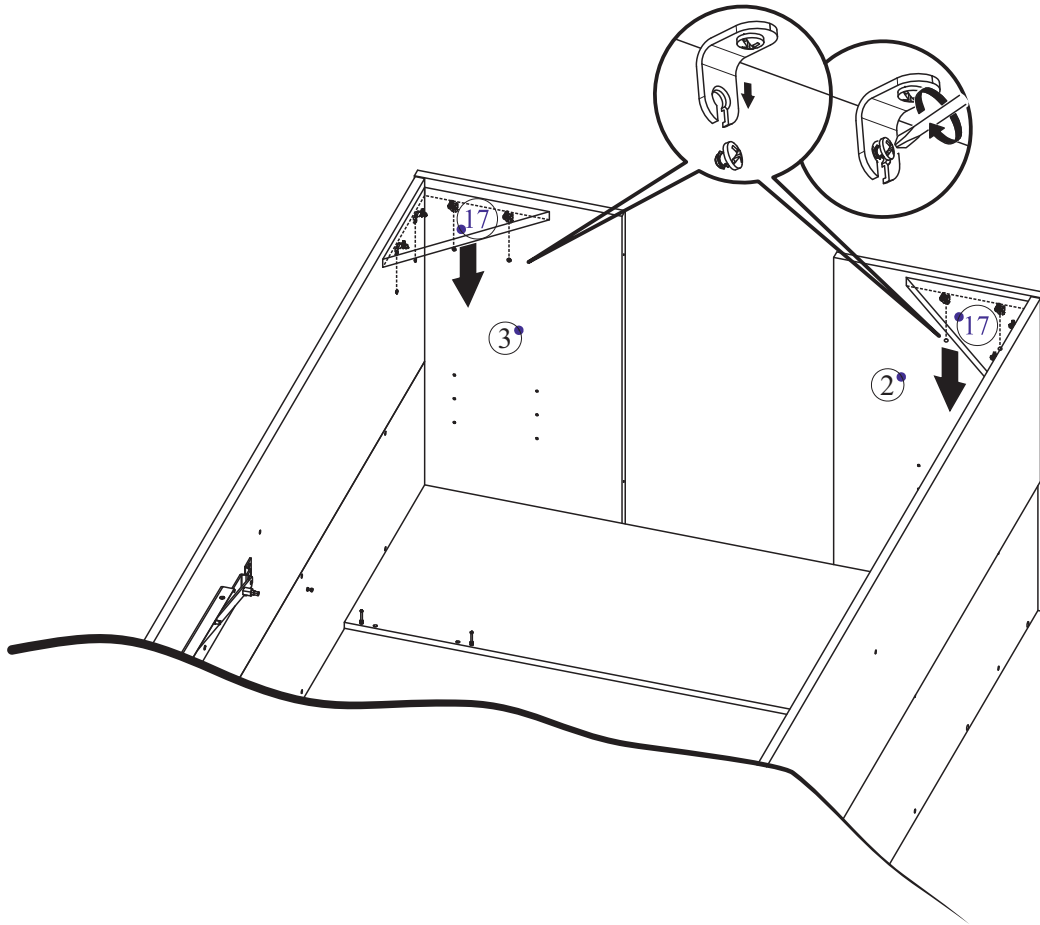
SPACE 01560009/01



7

V2



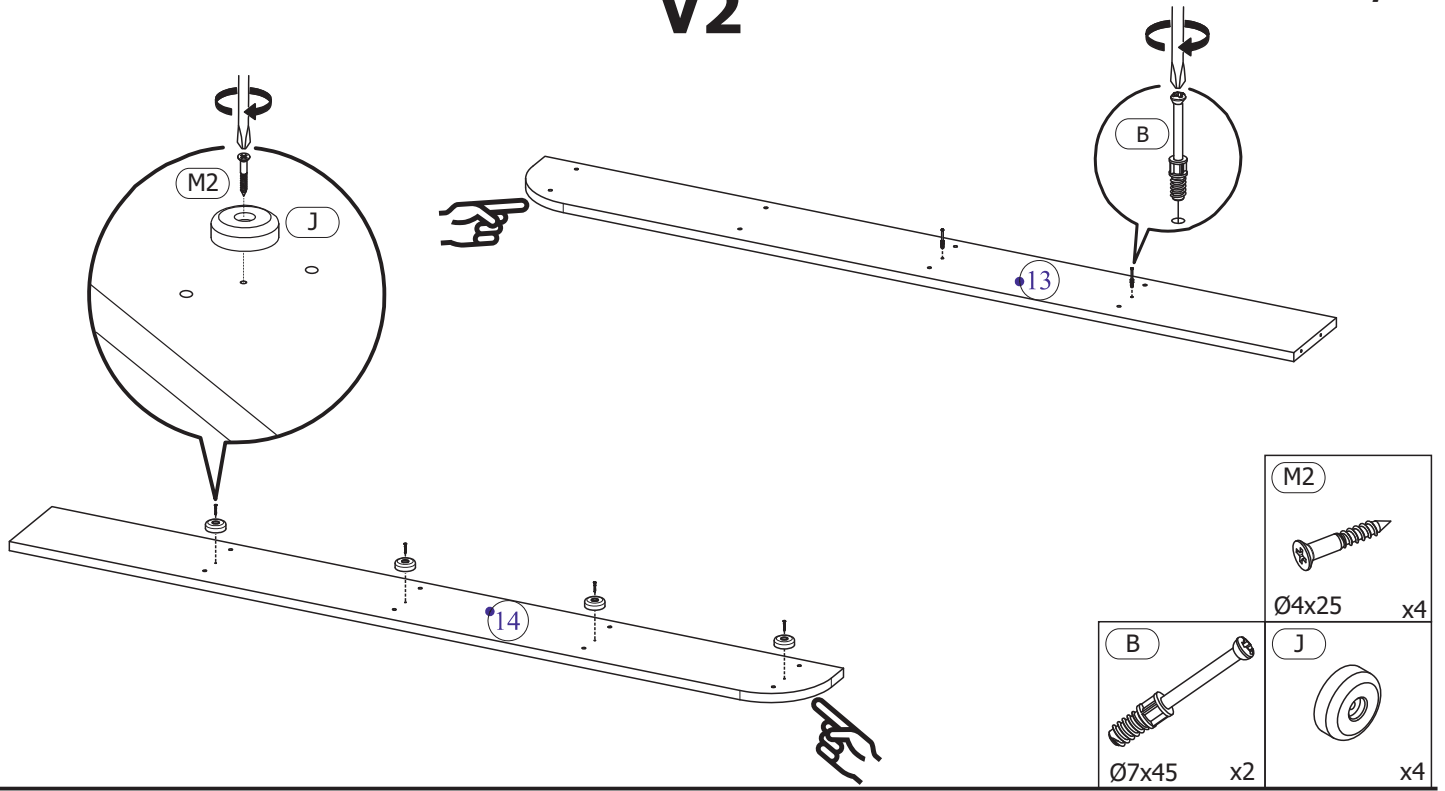


		M2	
			x4
B		J	
	x2		x4

9

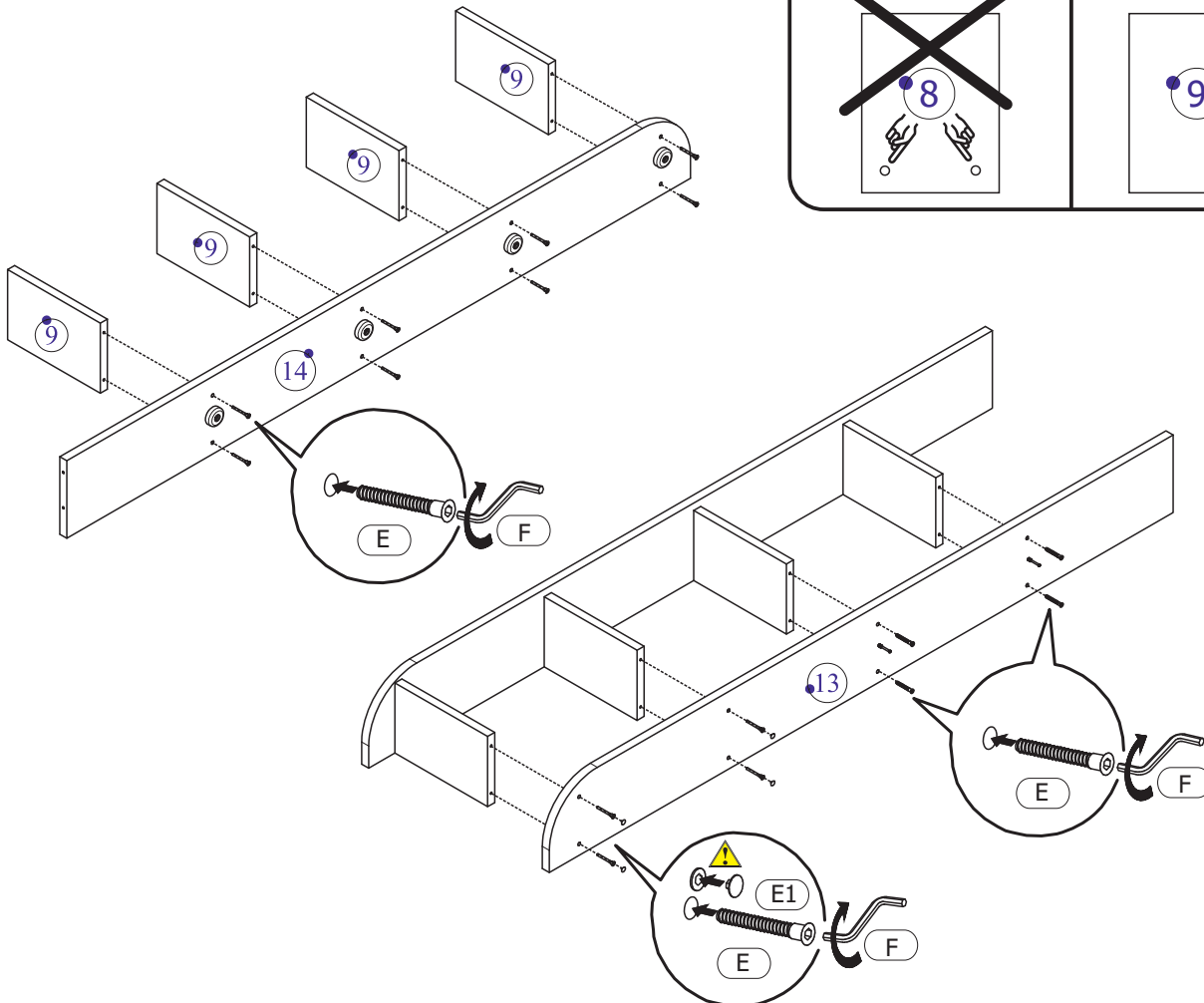
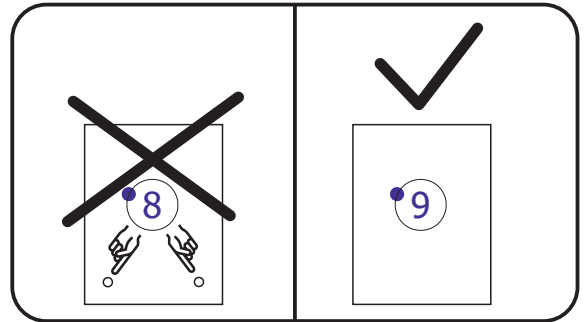
V2

SPACE 01560009/01



10

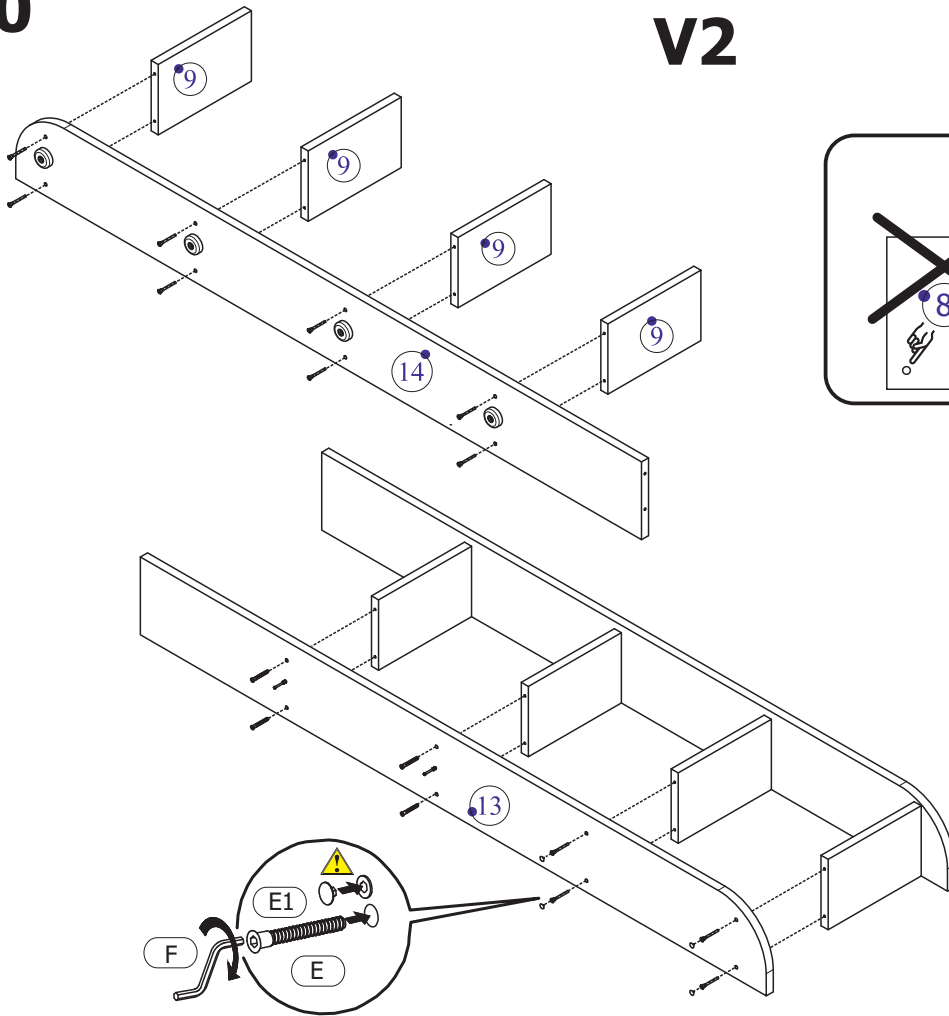
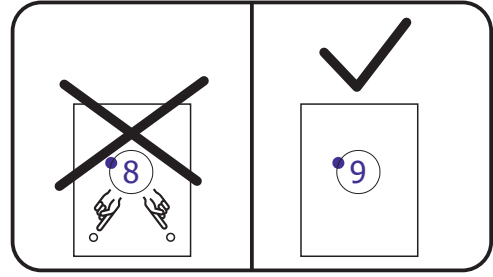
V1



10

V2

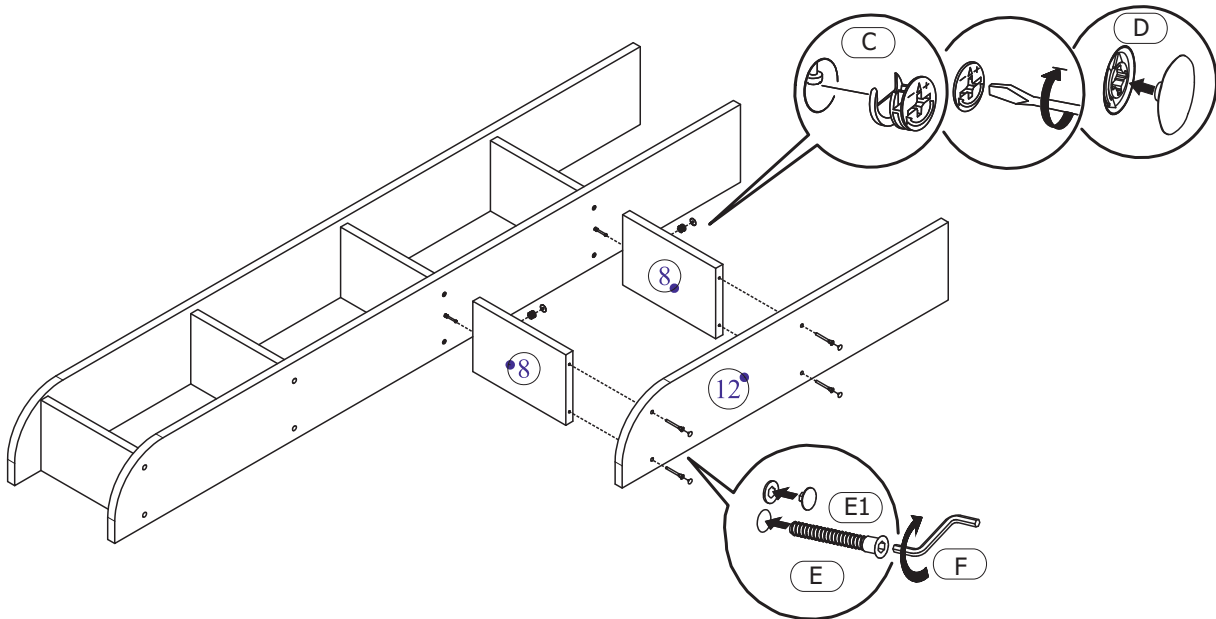
SPACE 01560009/01



F		x1
E		x16
E1		x4

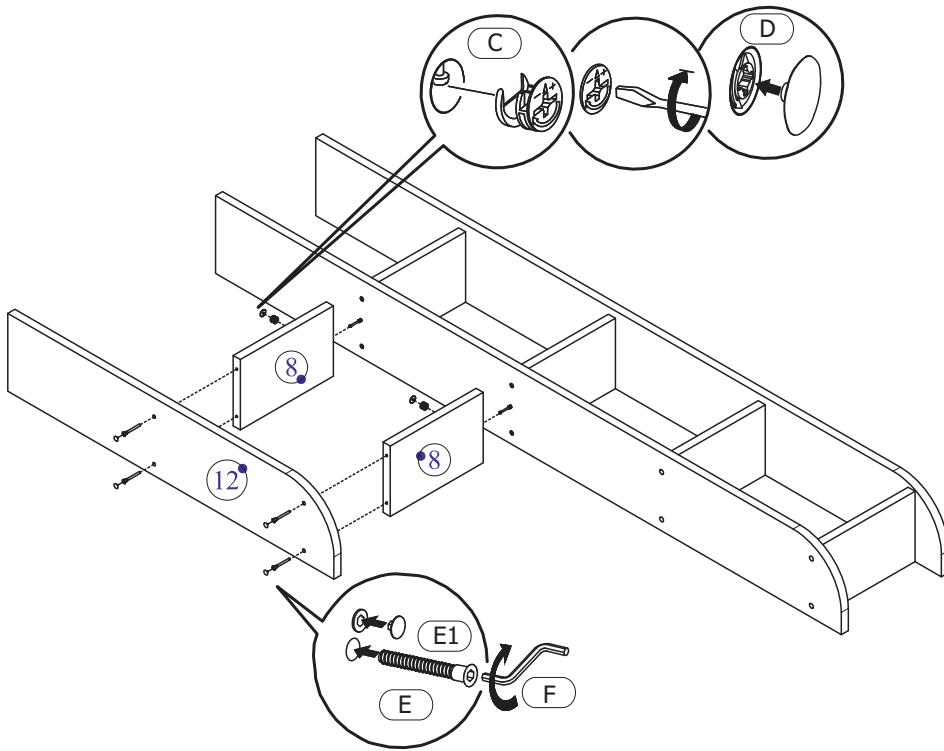
11




V1





F		x1
E		x4
D		x2
E1		x4
C		x2

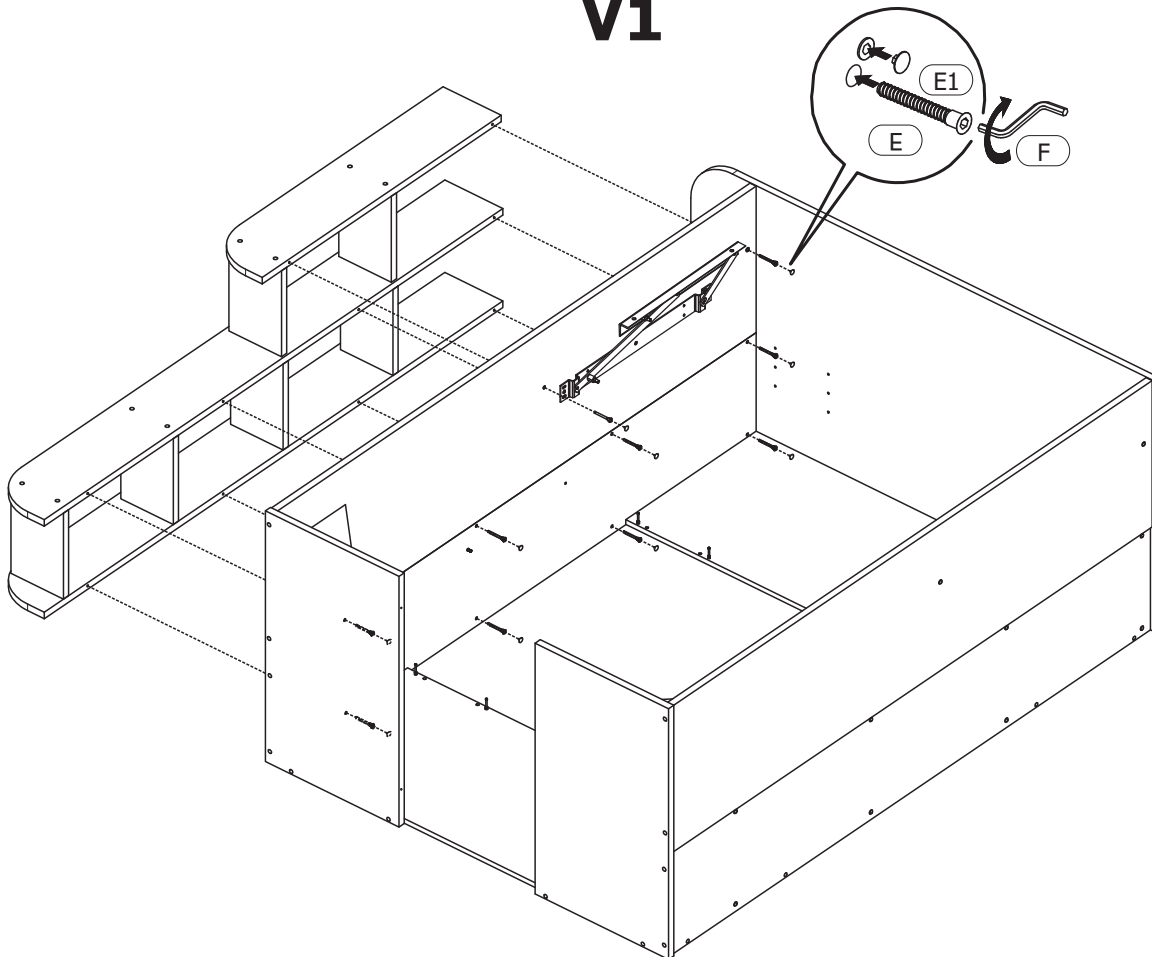
V2






- F**
4mm

x1
- E**
Ø7x50

x4
- D**
Ø18

x2

- E1**
Ø12

x4
- C**
Ø15x12

x2

V1

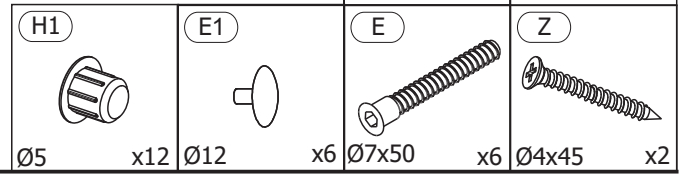
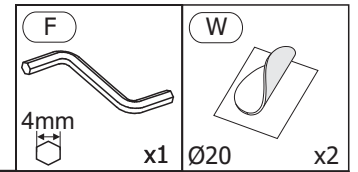
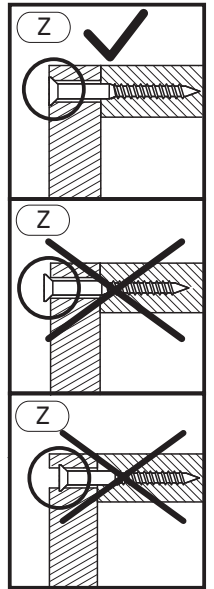
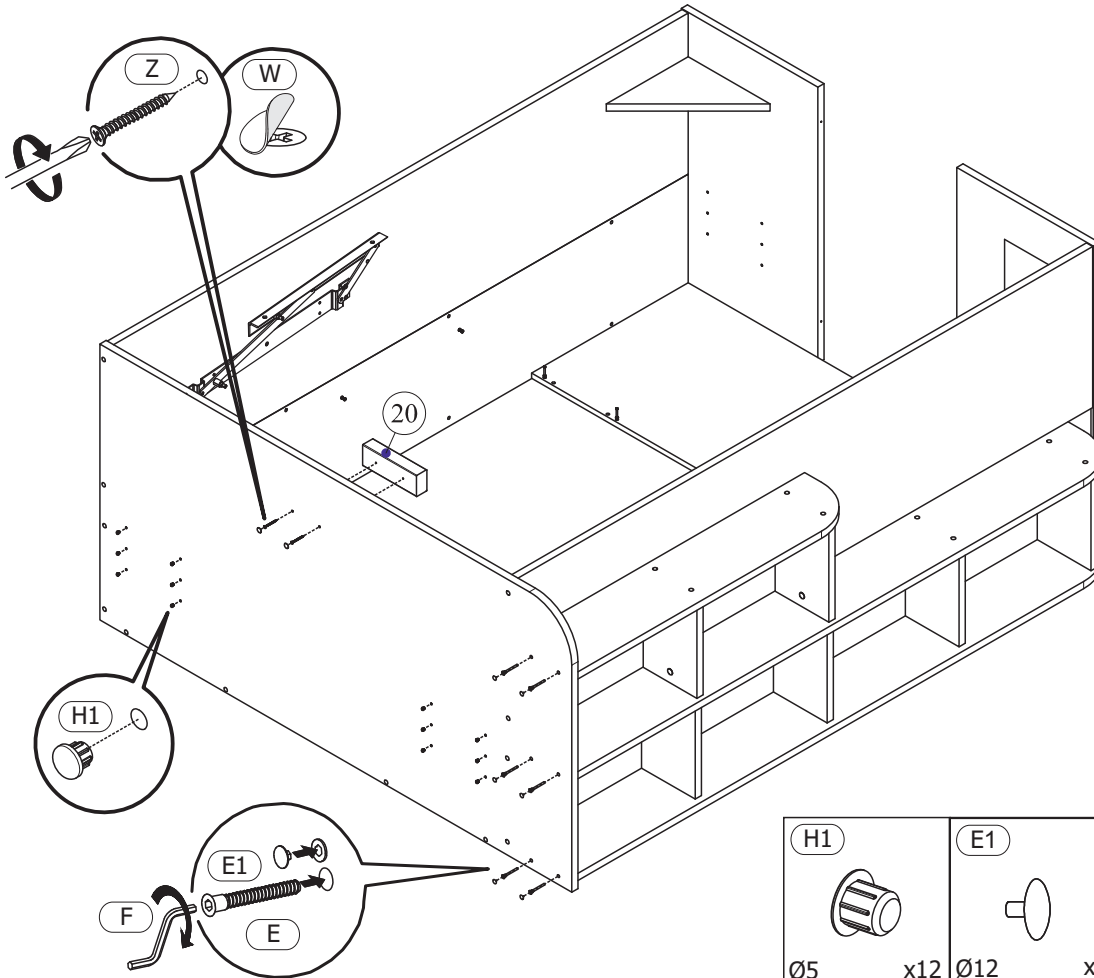


- E**
Ø7x50

x10
- F**
4mm

x1
- E1**
Ø12

x10

13

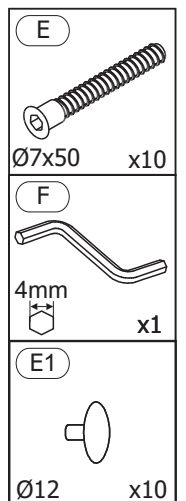
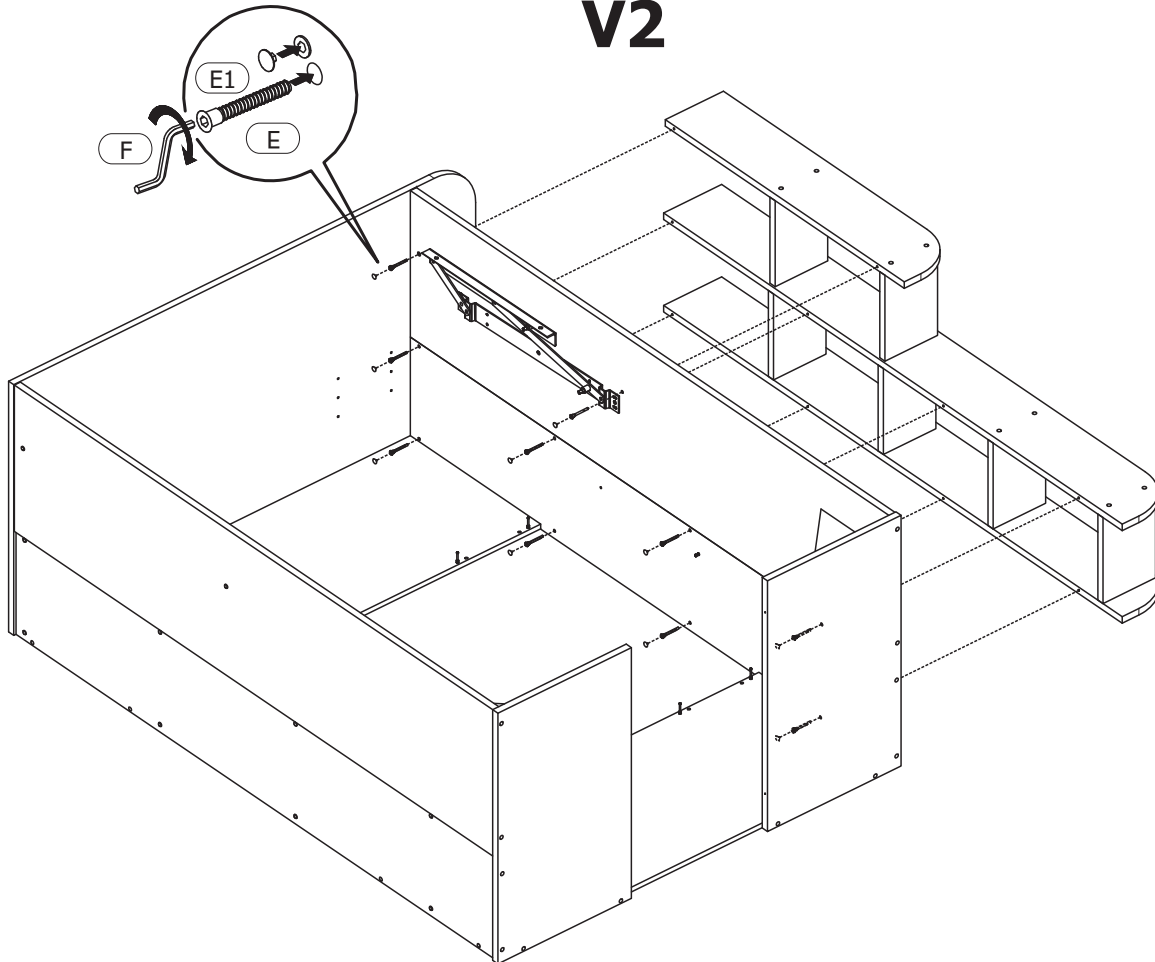
V1

SPACE 01560009/01



12

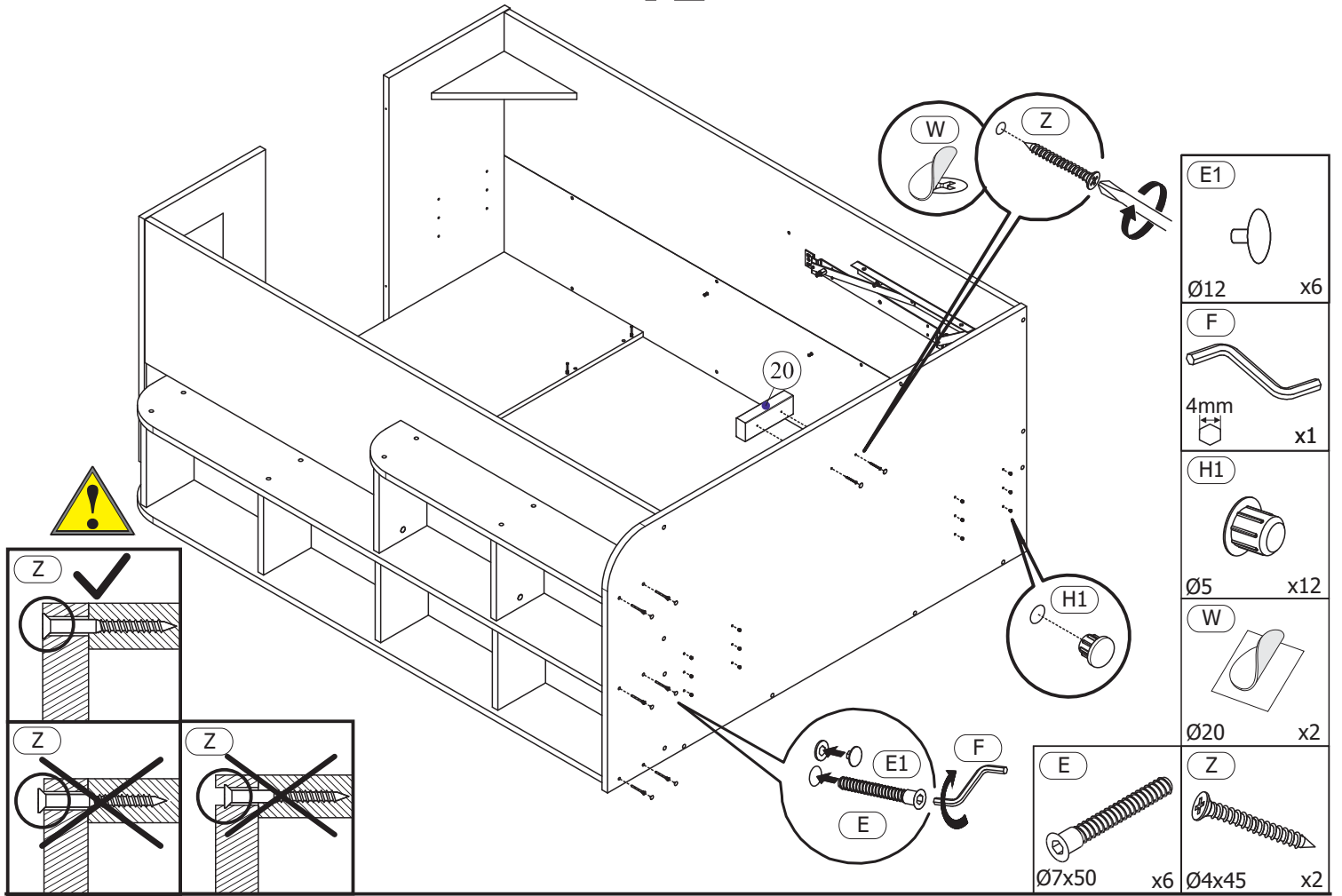
V2



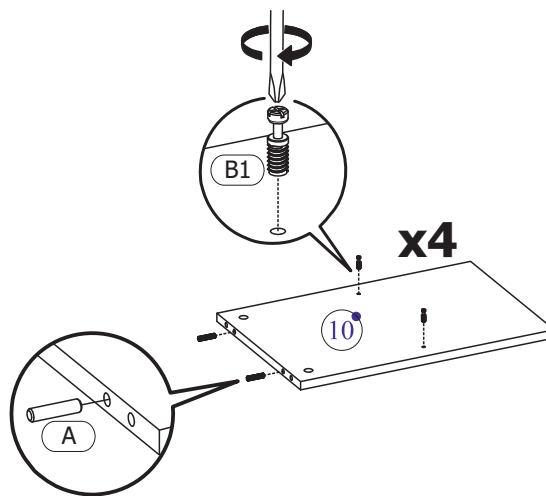
13

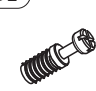
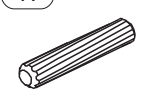
V2

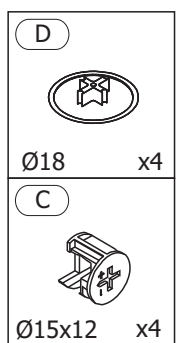
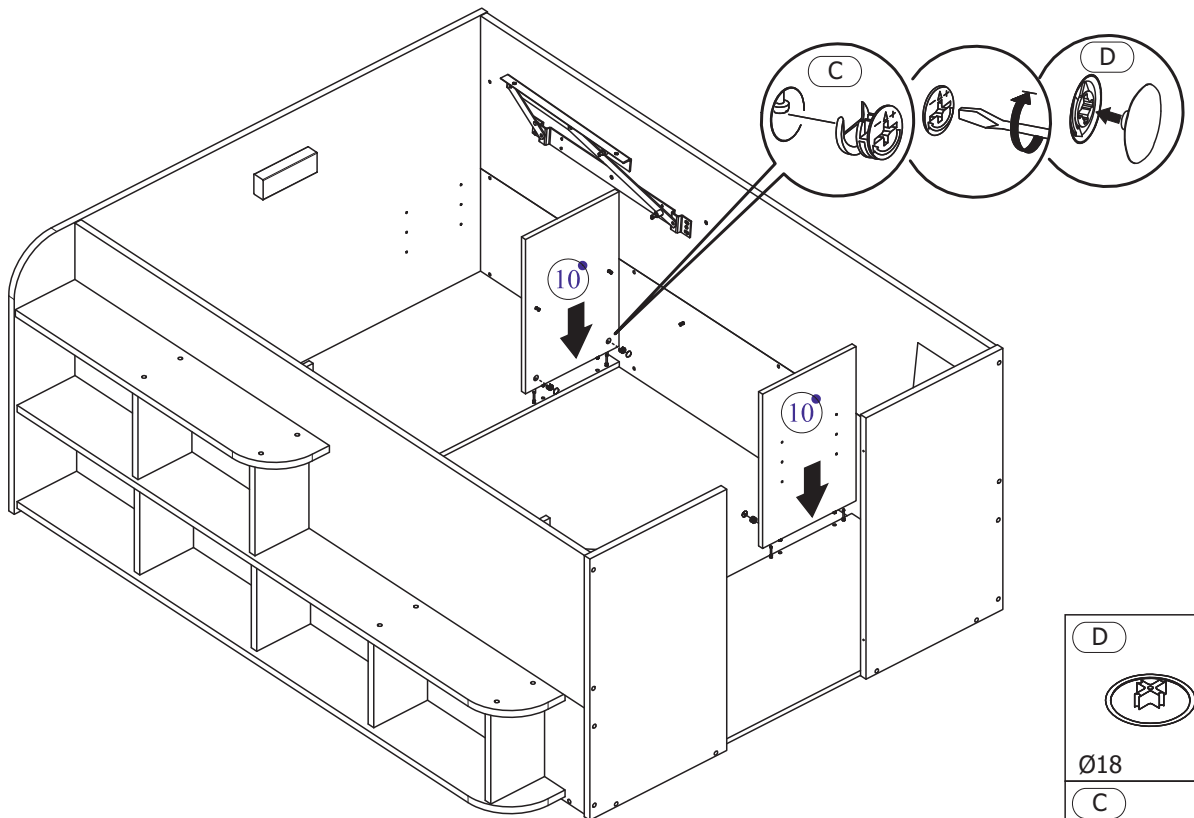
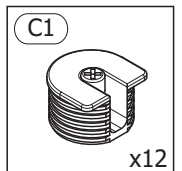
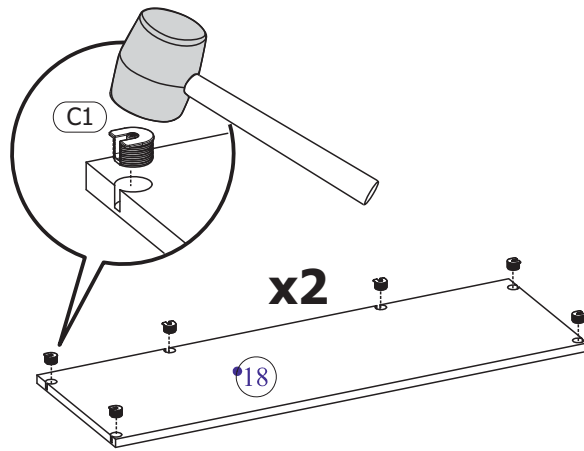
SPACE 01560009/01

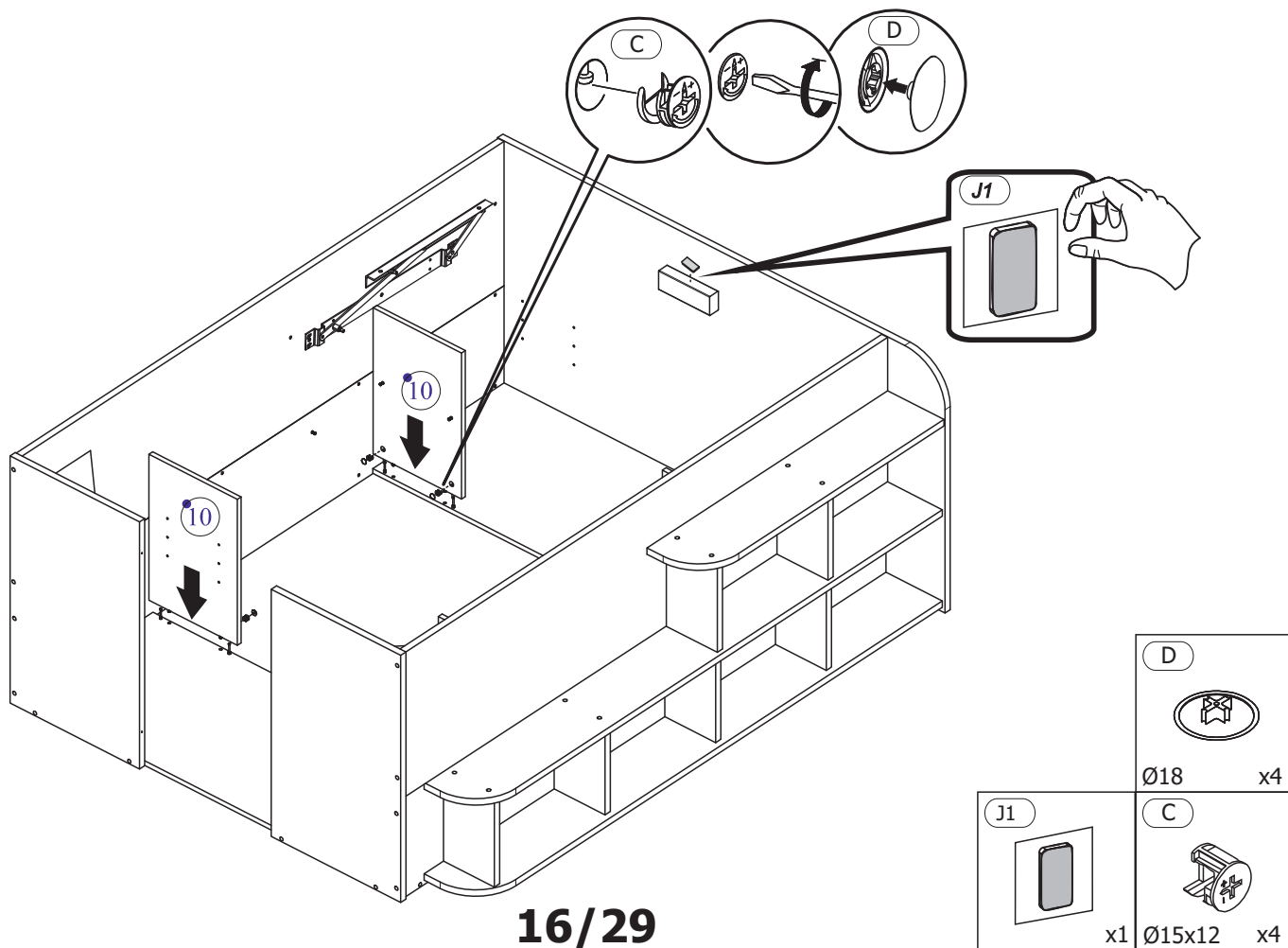
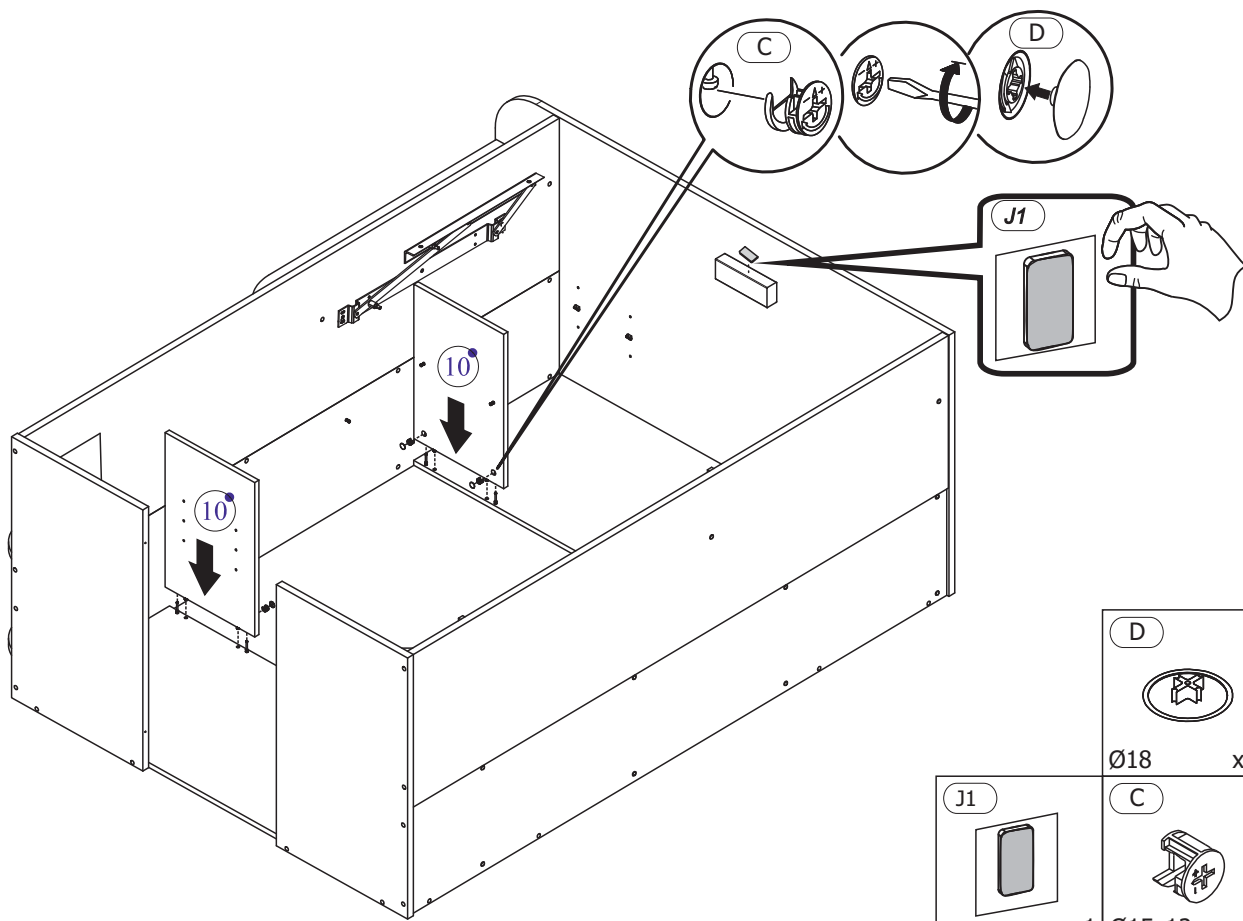


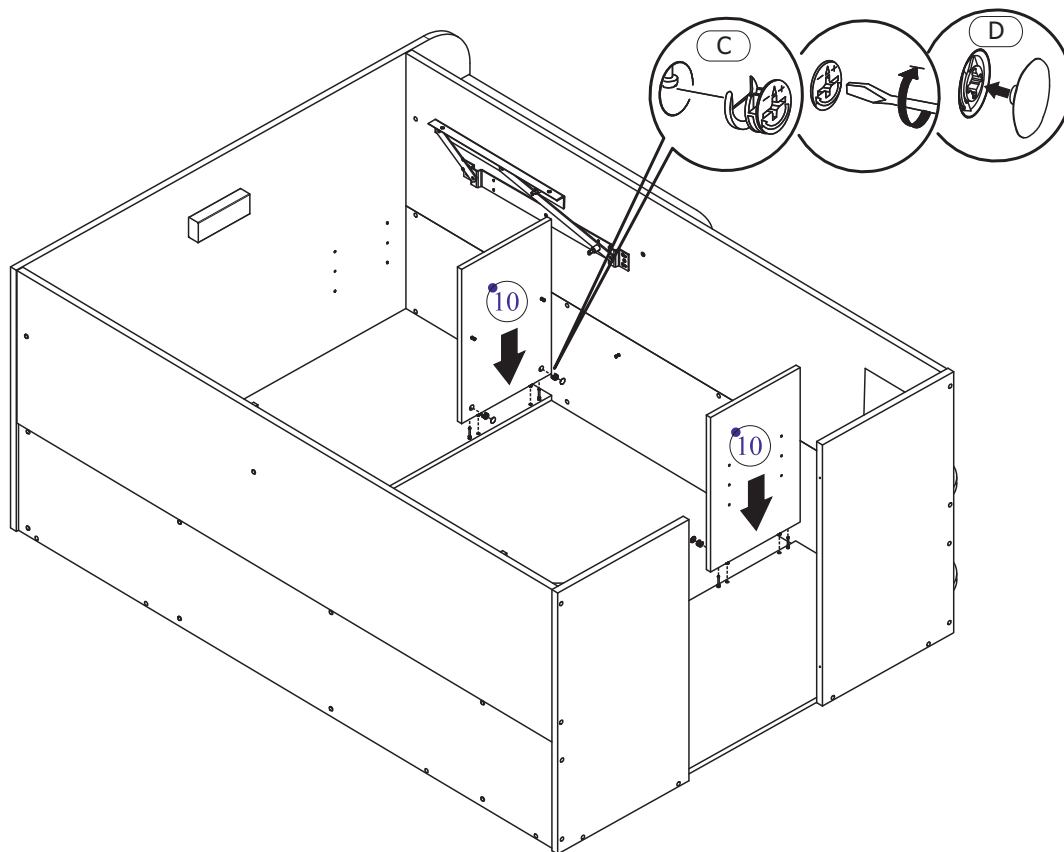
14





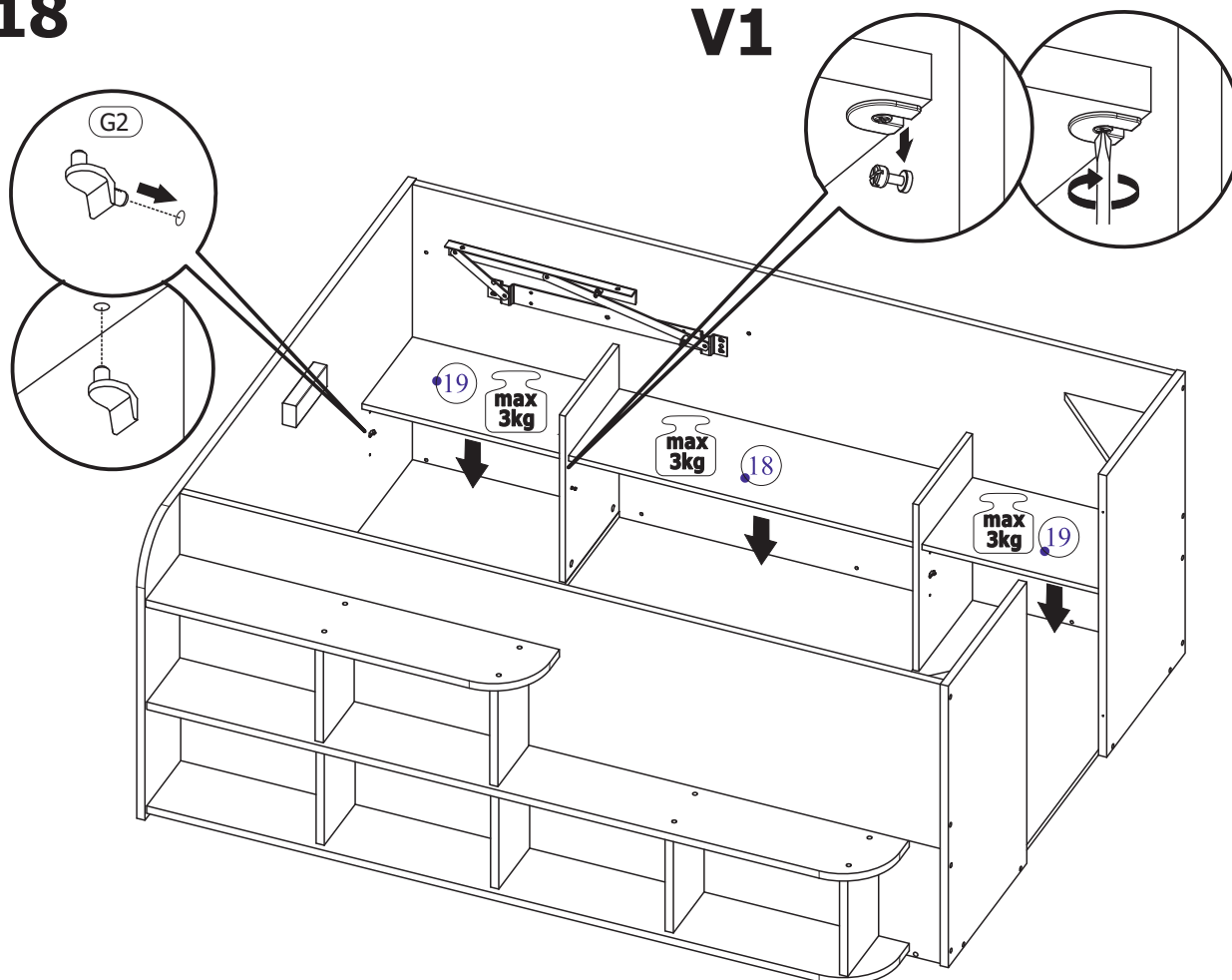
<p>B1</p>  <p>Ø7x11 x8</p>	<p>A</p>  <p>Ø8x30 x8</p>
---	--








D	
Ø18	x4
C	
Ø15x12	x4

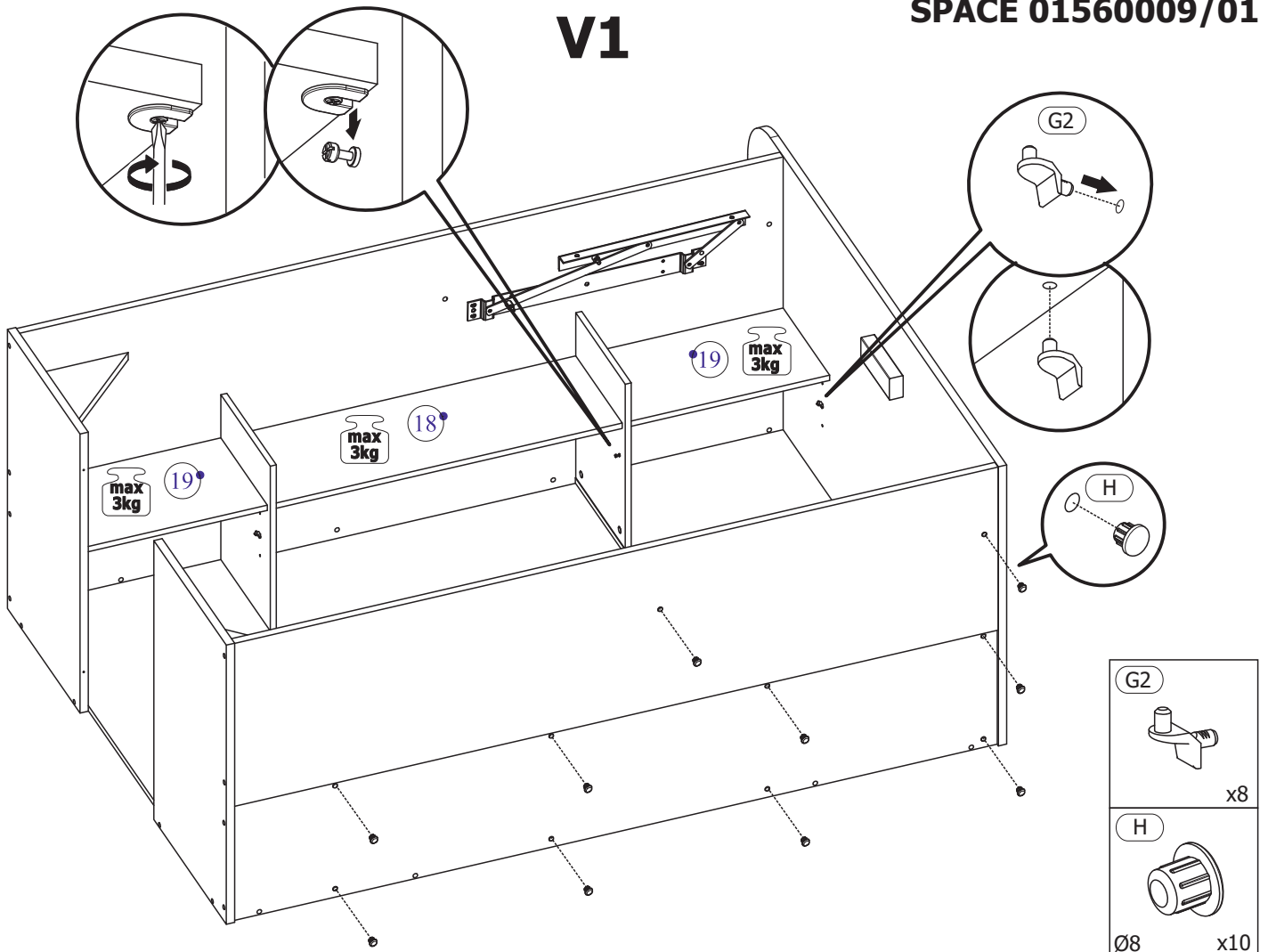


G2	
	x8

19

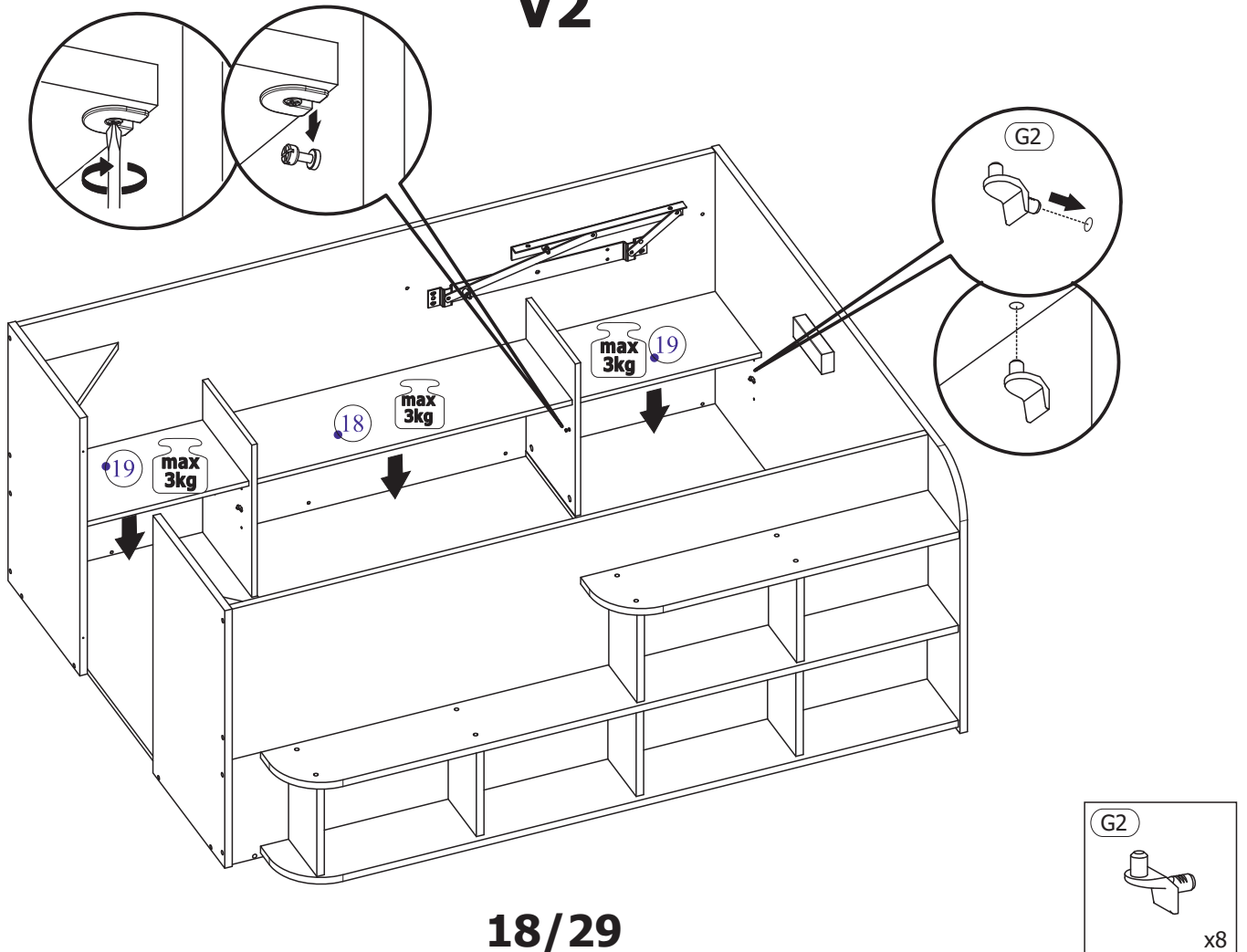
SPACE 01560009/01

V1



18

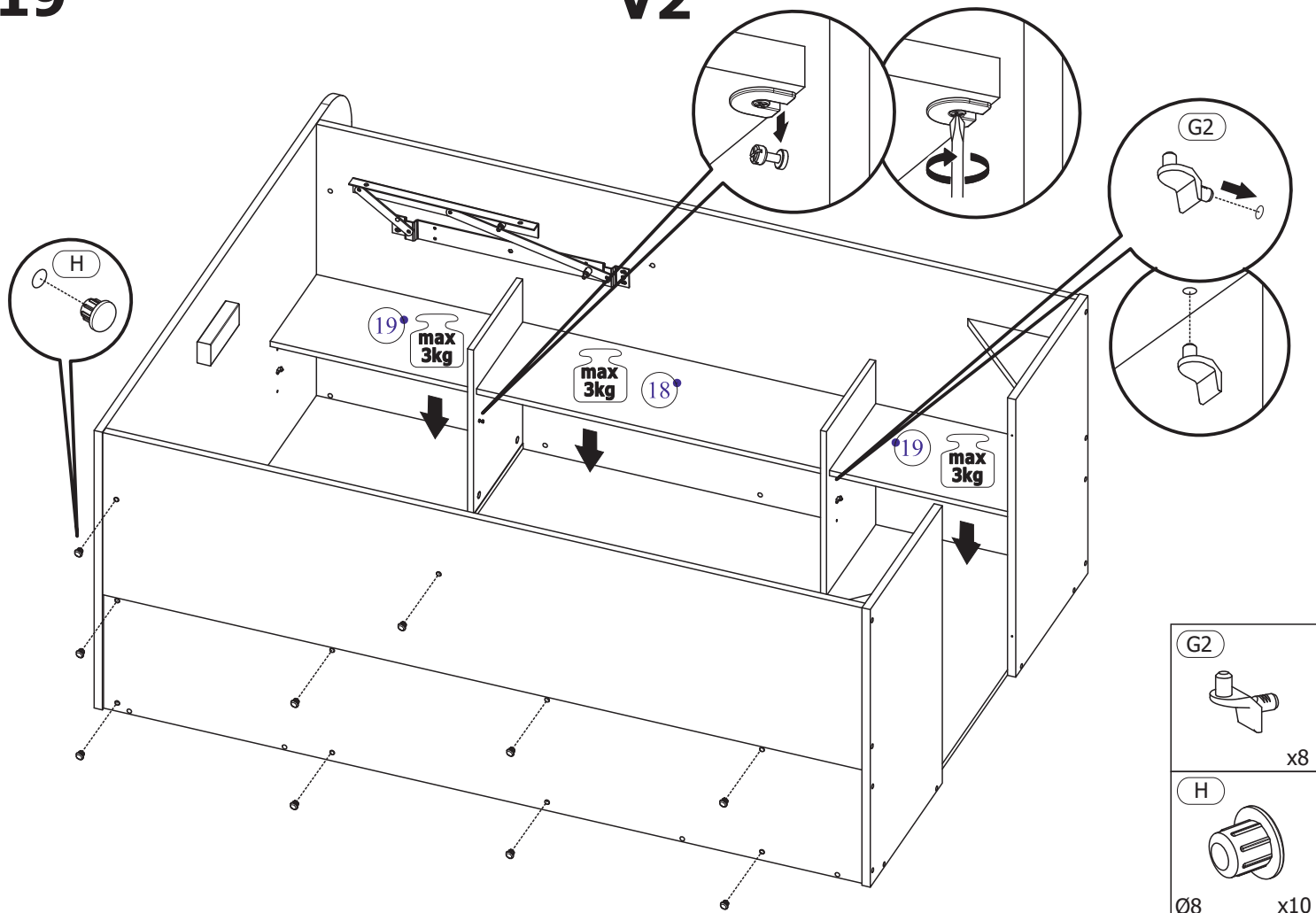
V2



19

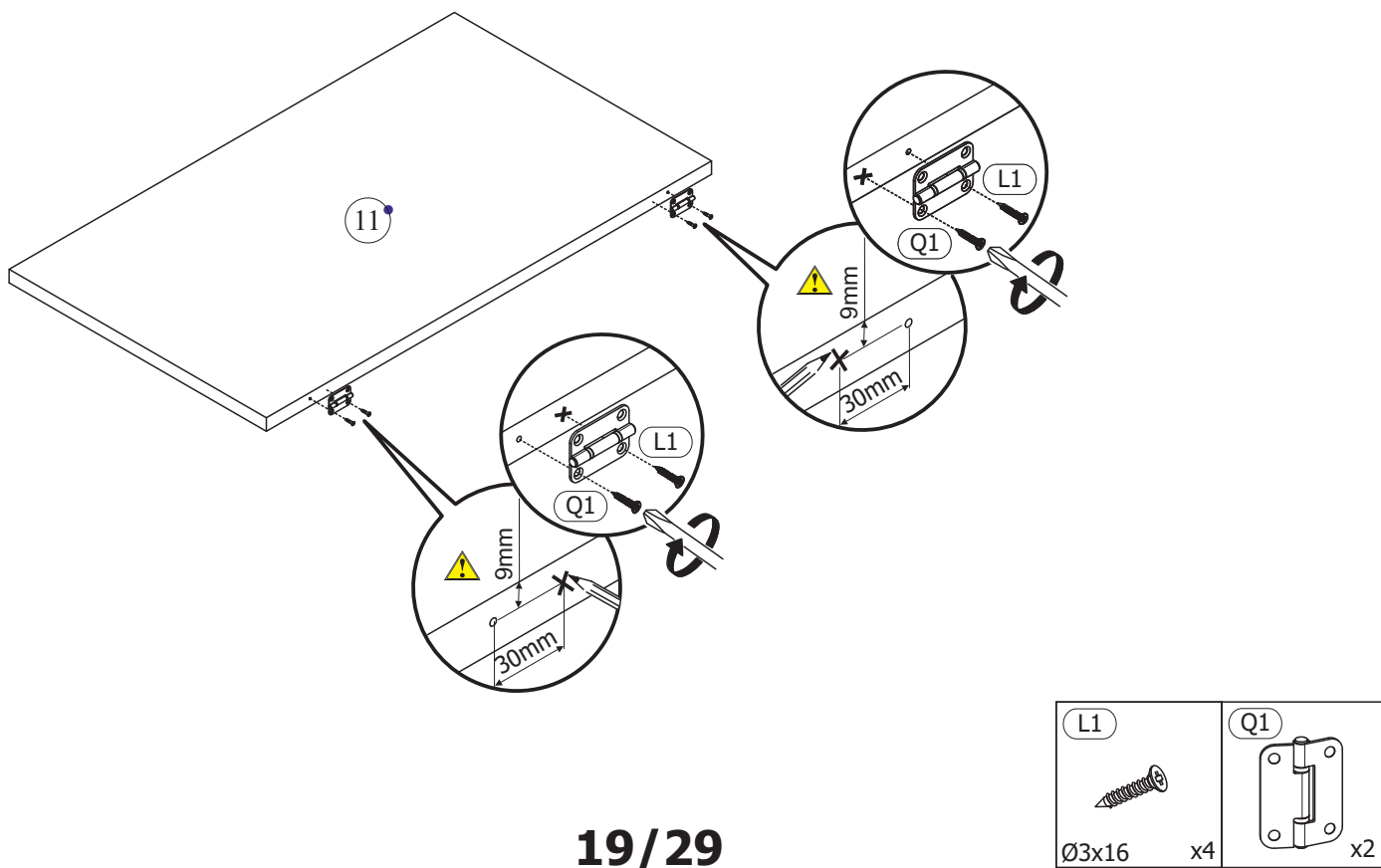
V2

SPACE 01560009/01



20

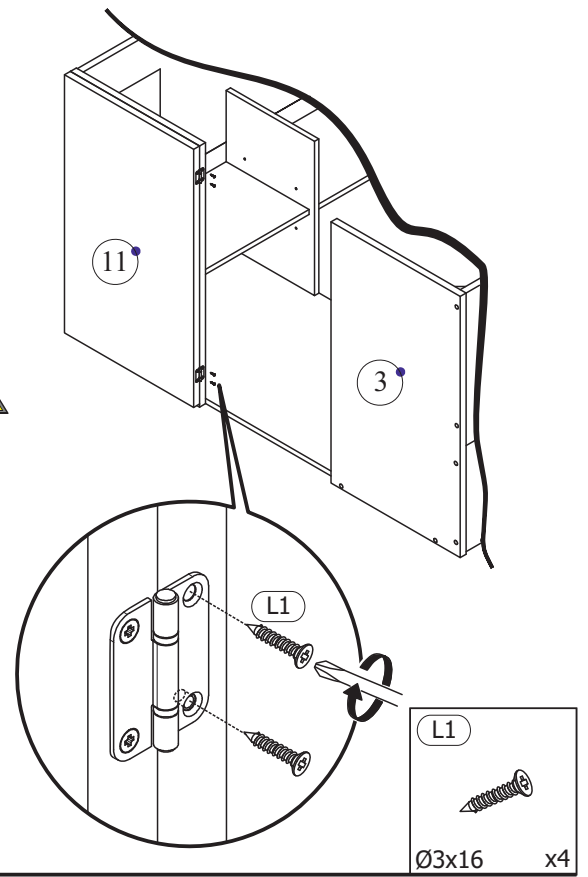
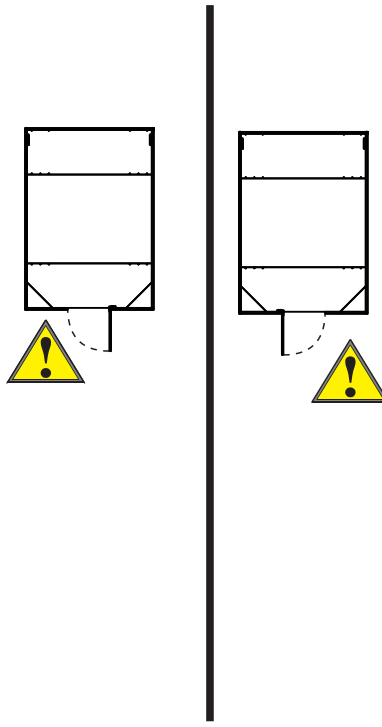
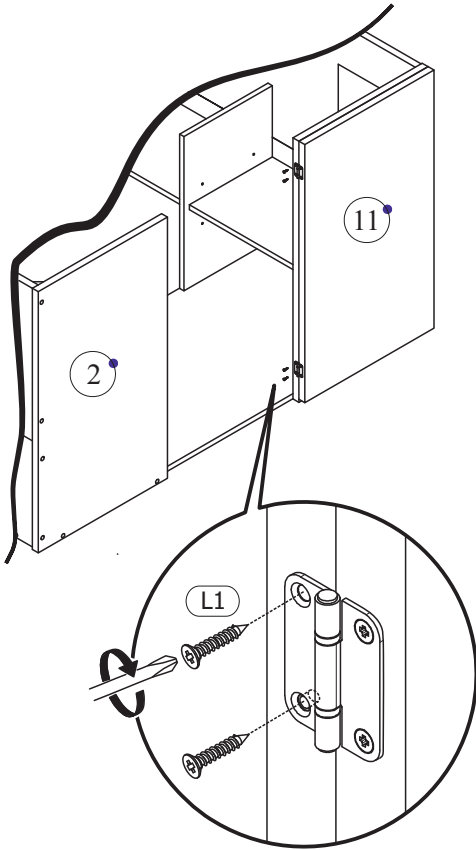
V1/V2



19/29

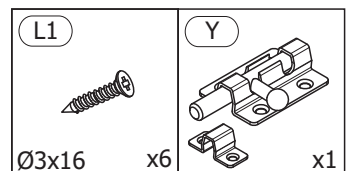
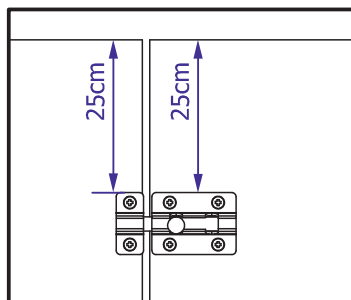
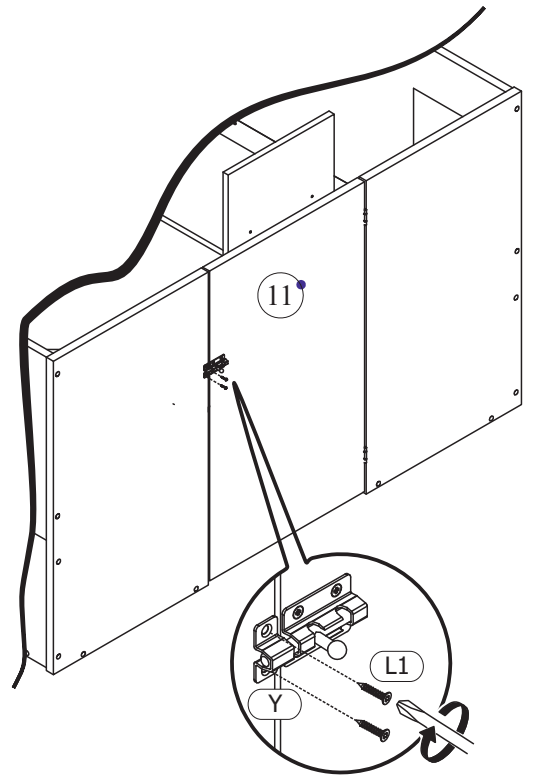
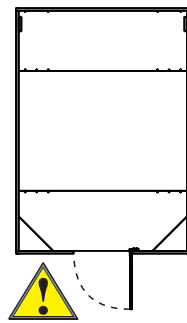
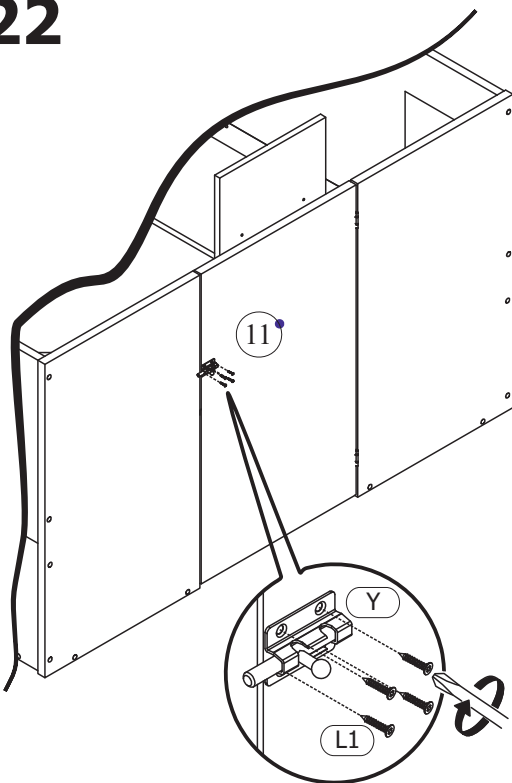
V1

V2



22

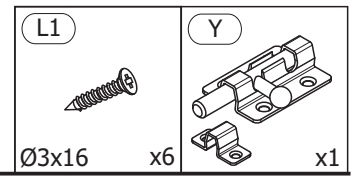
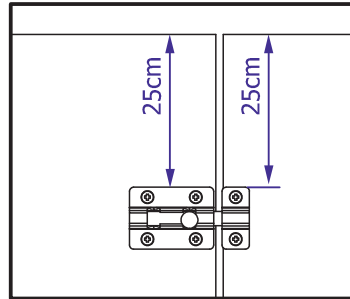
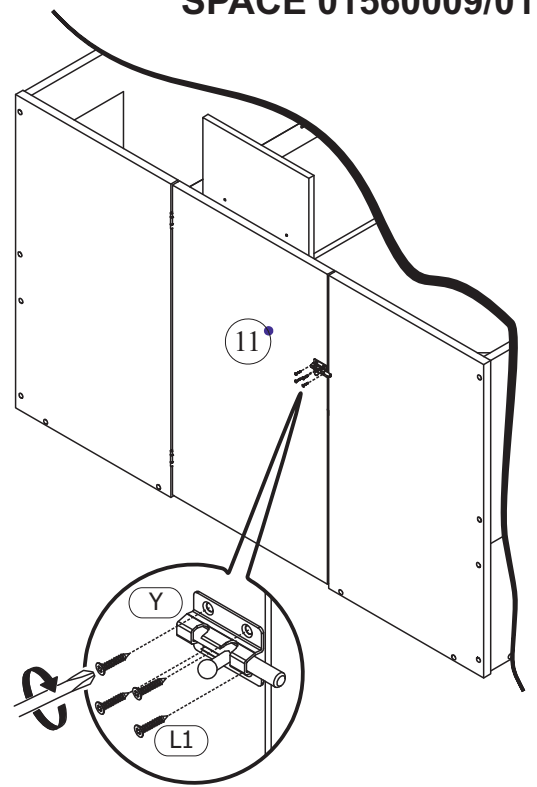
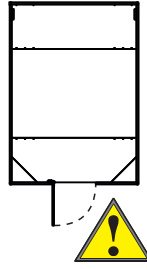
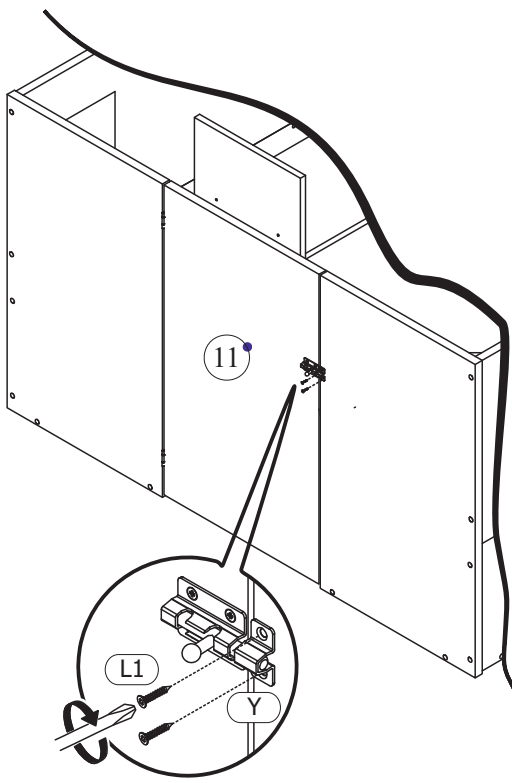
V1



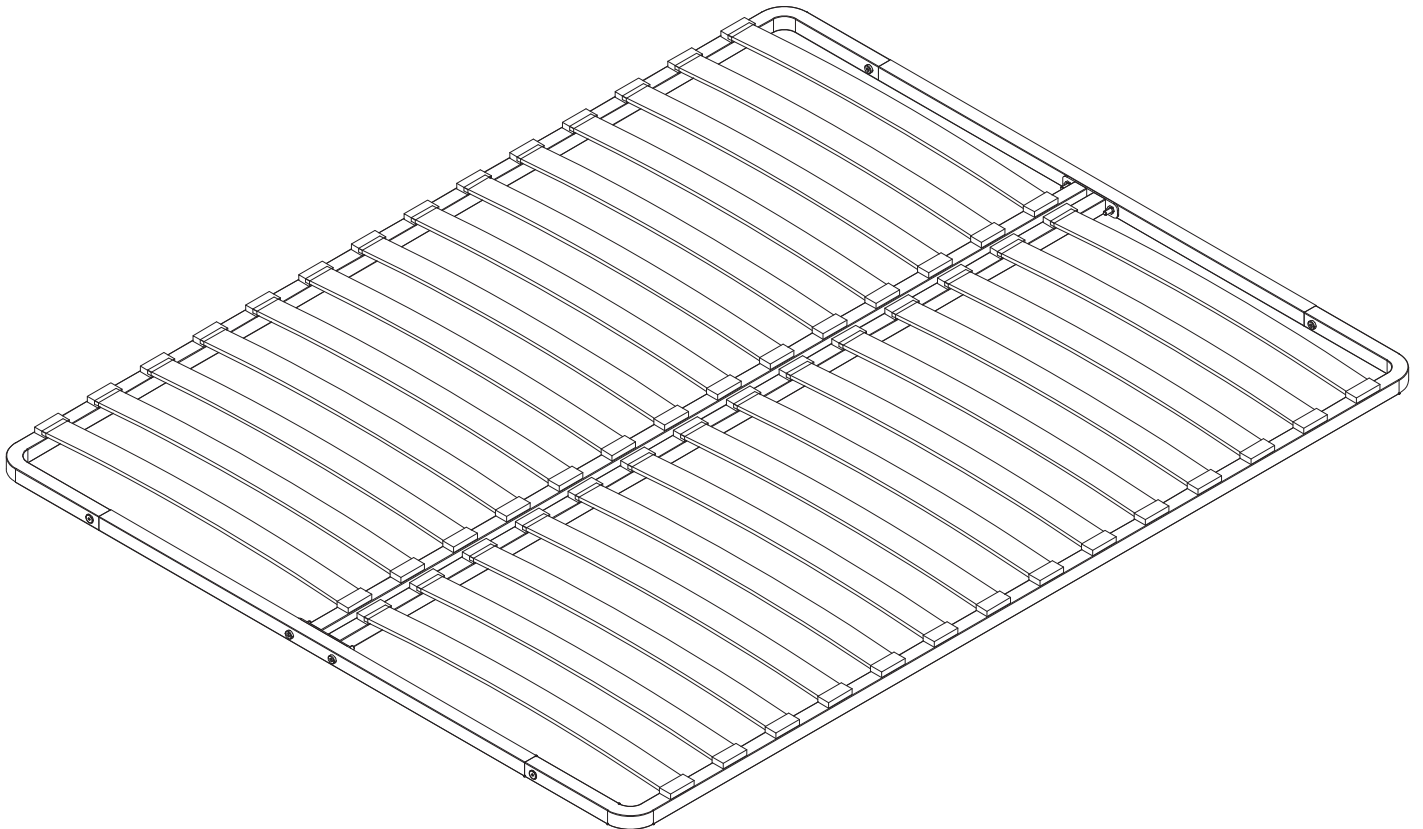
23

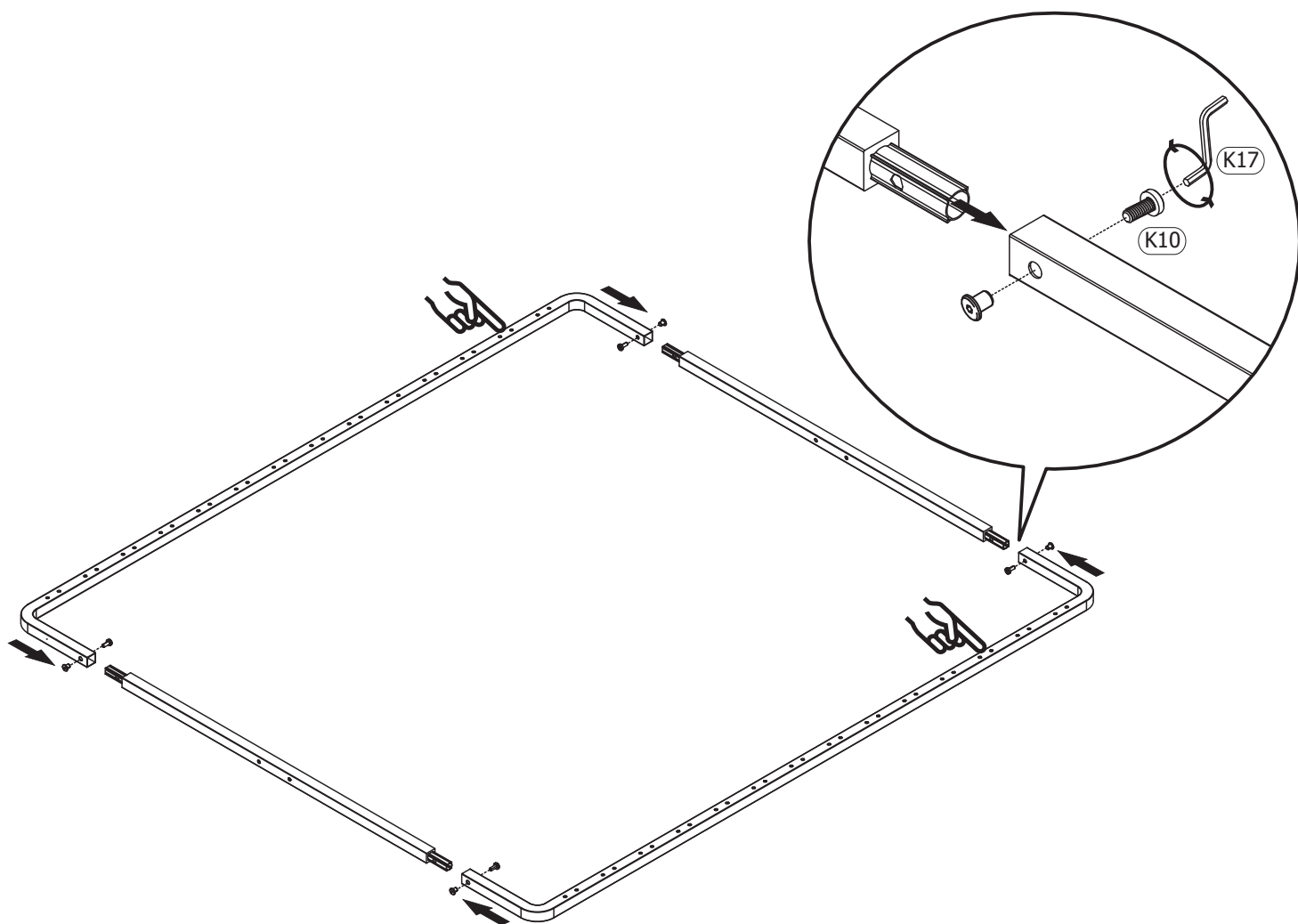
SPACE 01560009/01




V2

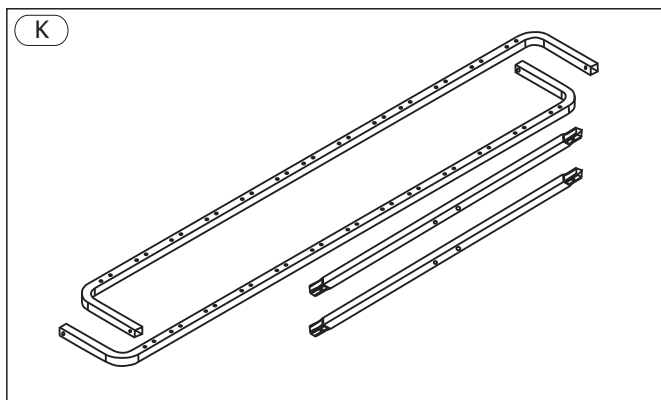


V1/V2





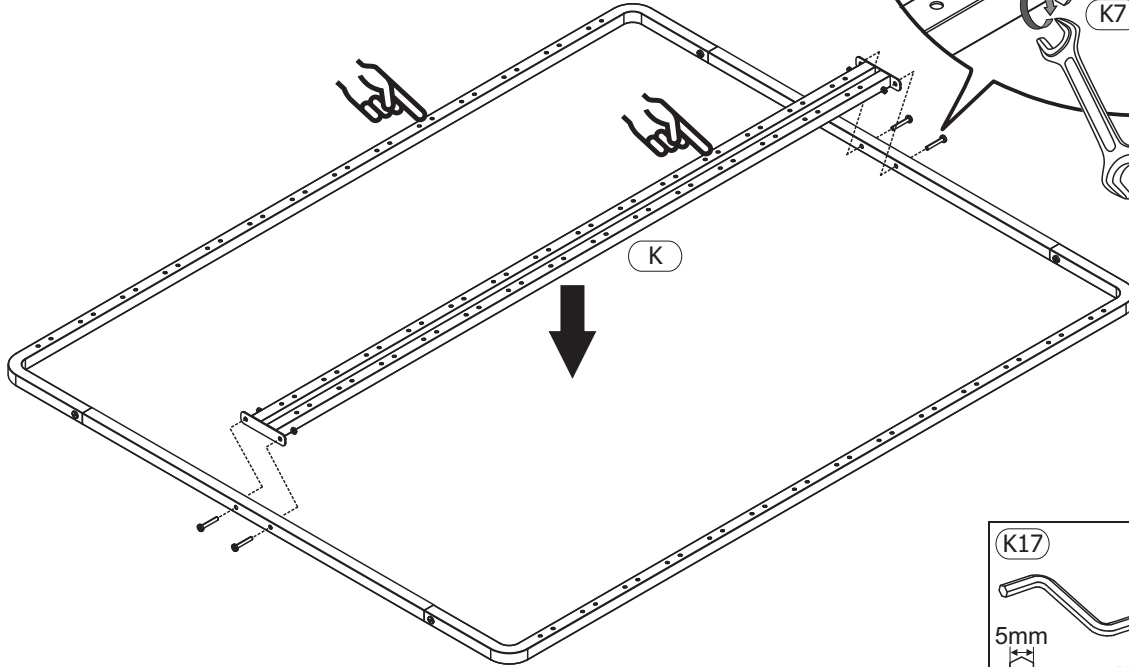
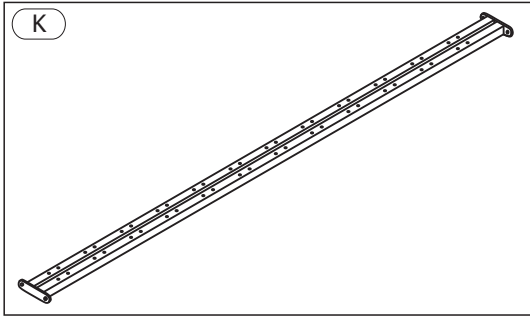
 K10 M8x20 x4	 K11 M8x20 x4	 K17 5mm x1
---	--	--



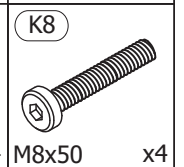
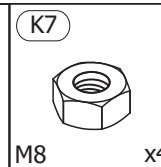
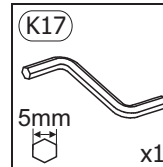
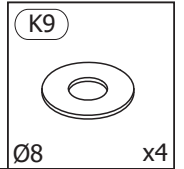
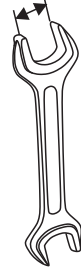
25

V1/V2

SPACE 01560009/01

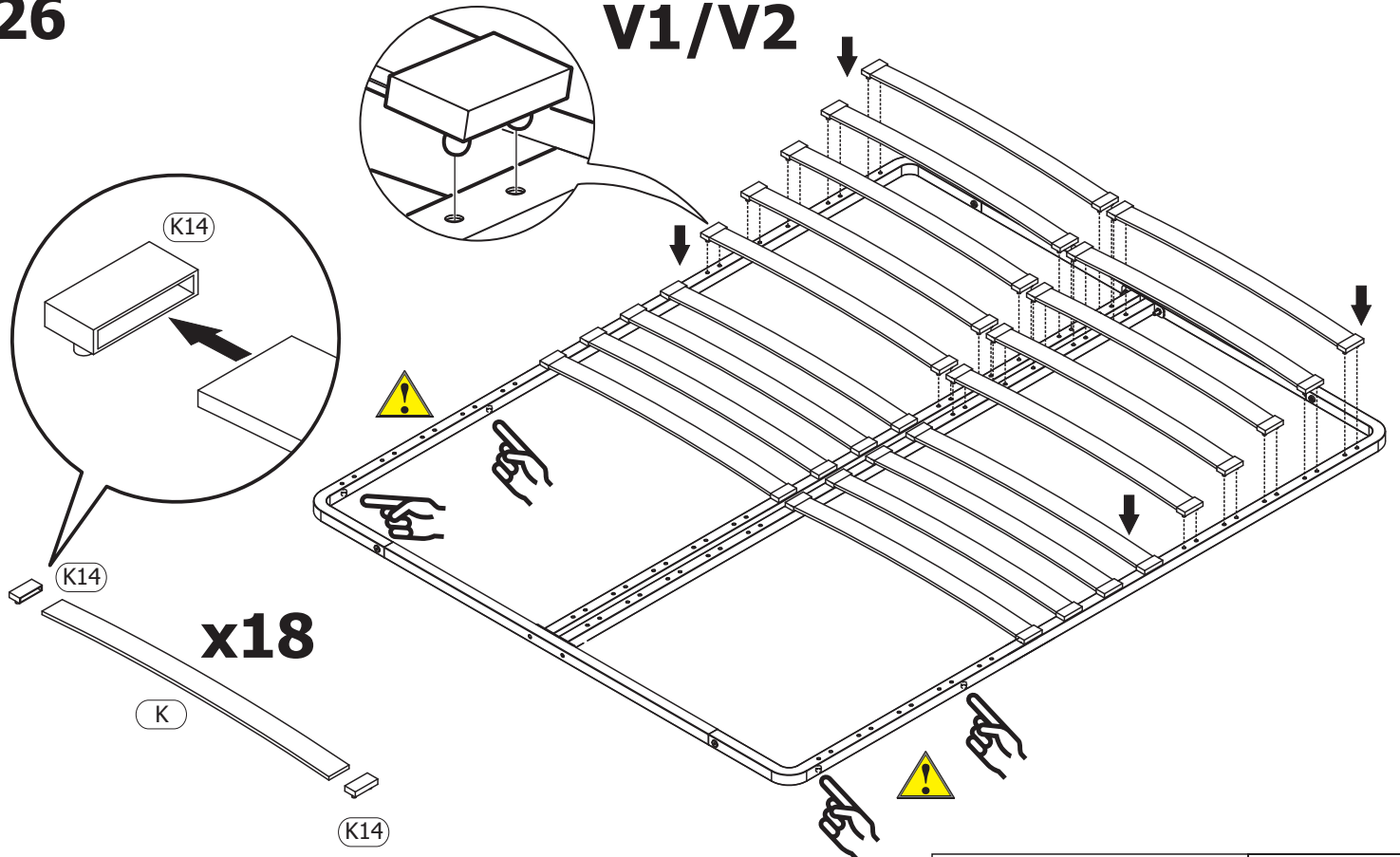


13mm

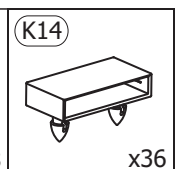
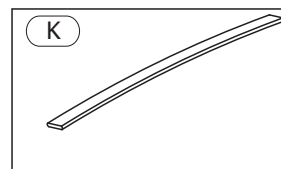


26

V1/V2



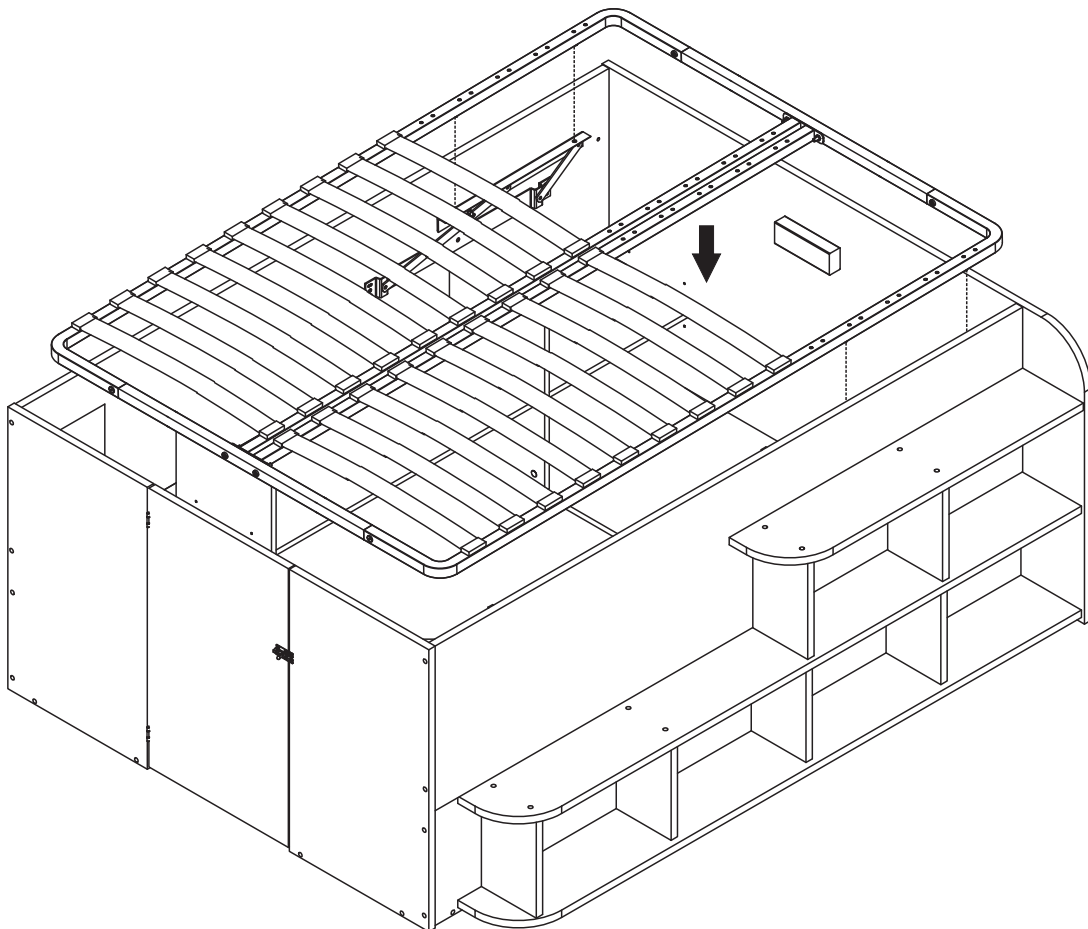
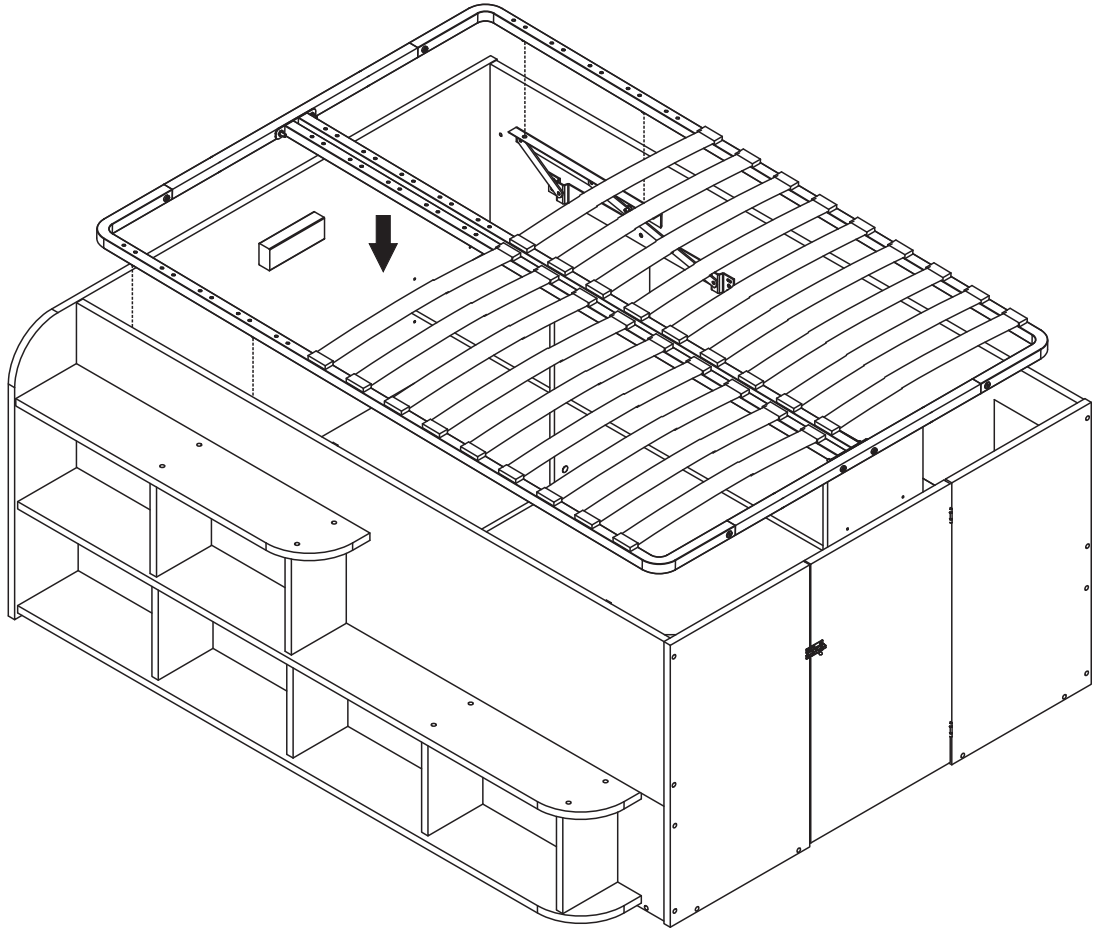
x18



23/29

x18

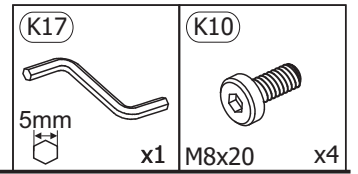
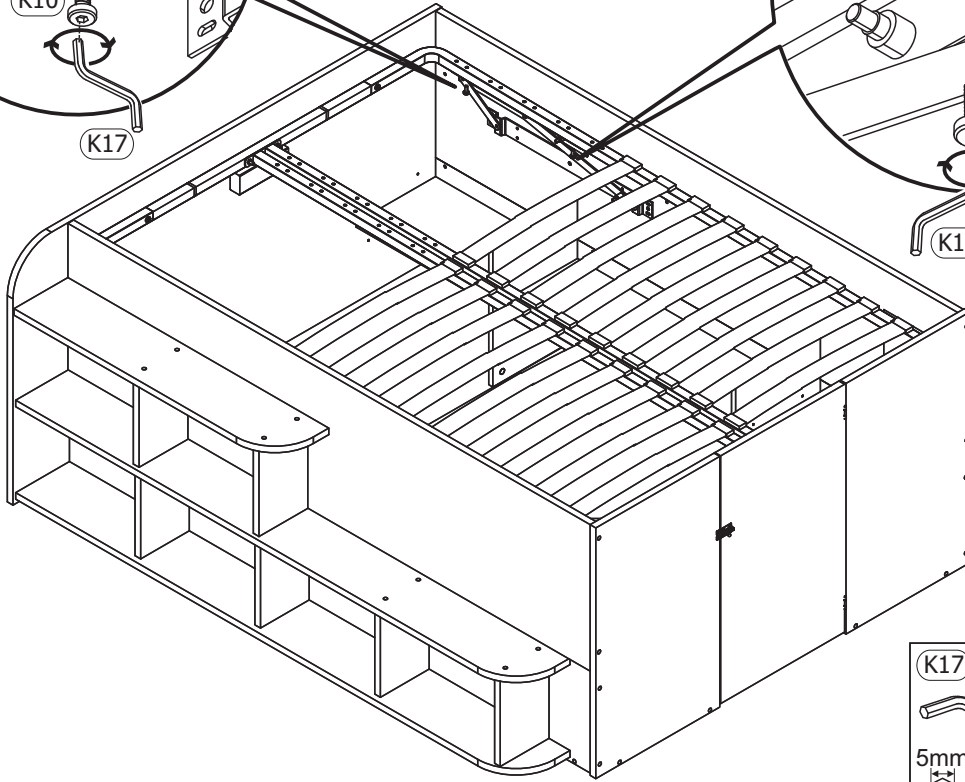
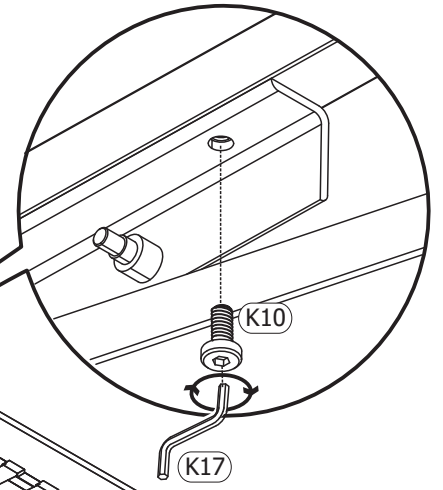
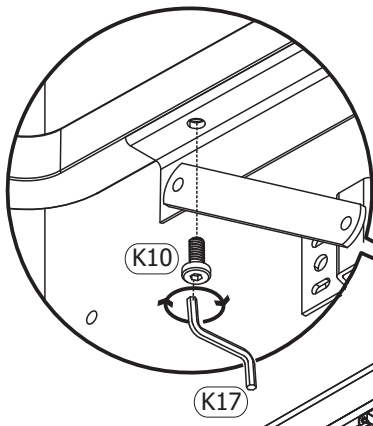
x36



28

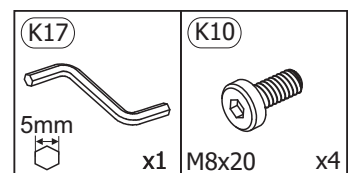
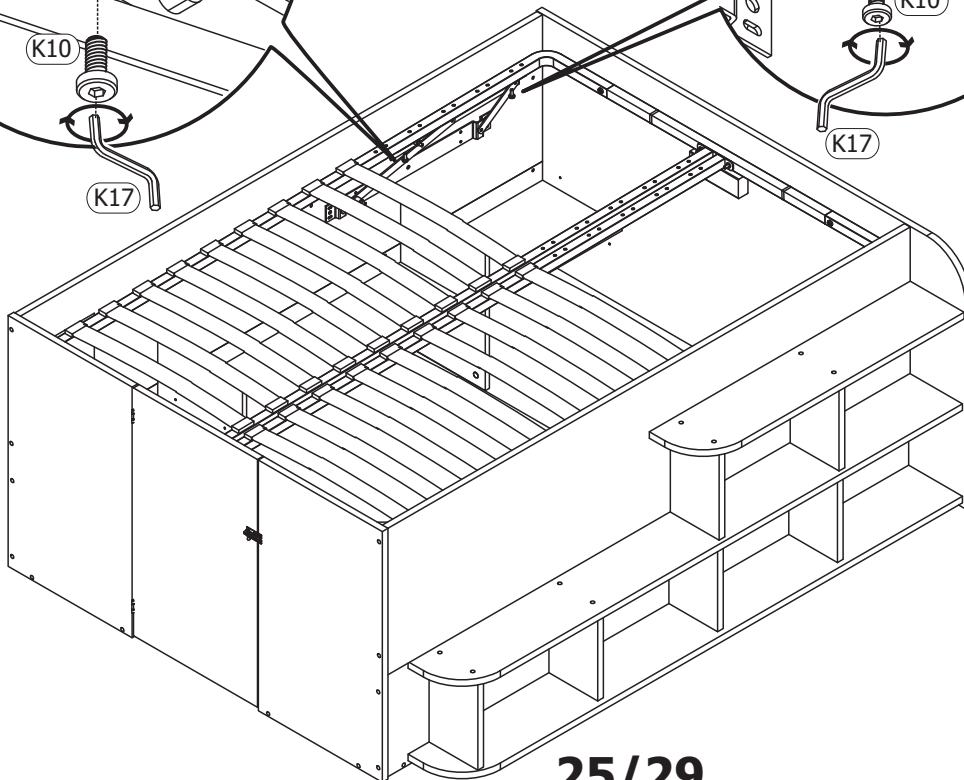
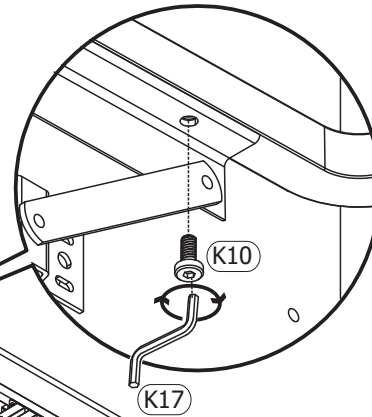
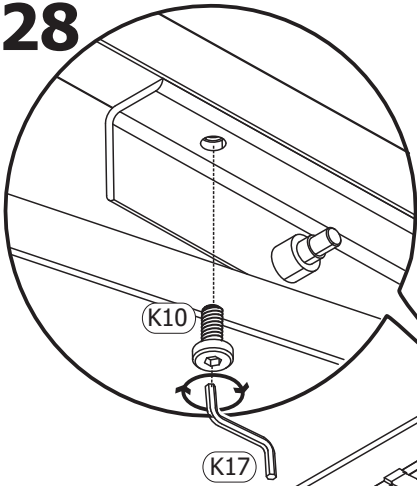
V1

SPACE 01560009/01



28

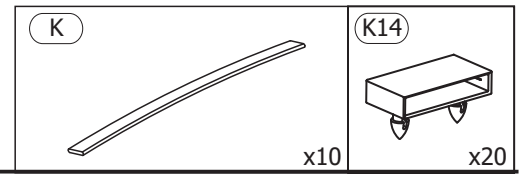
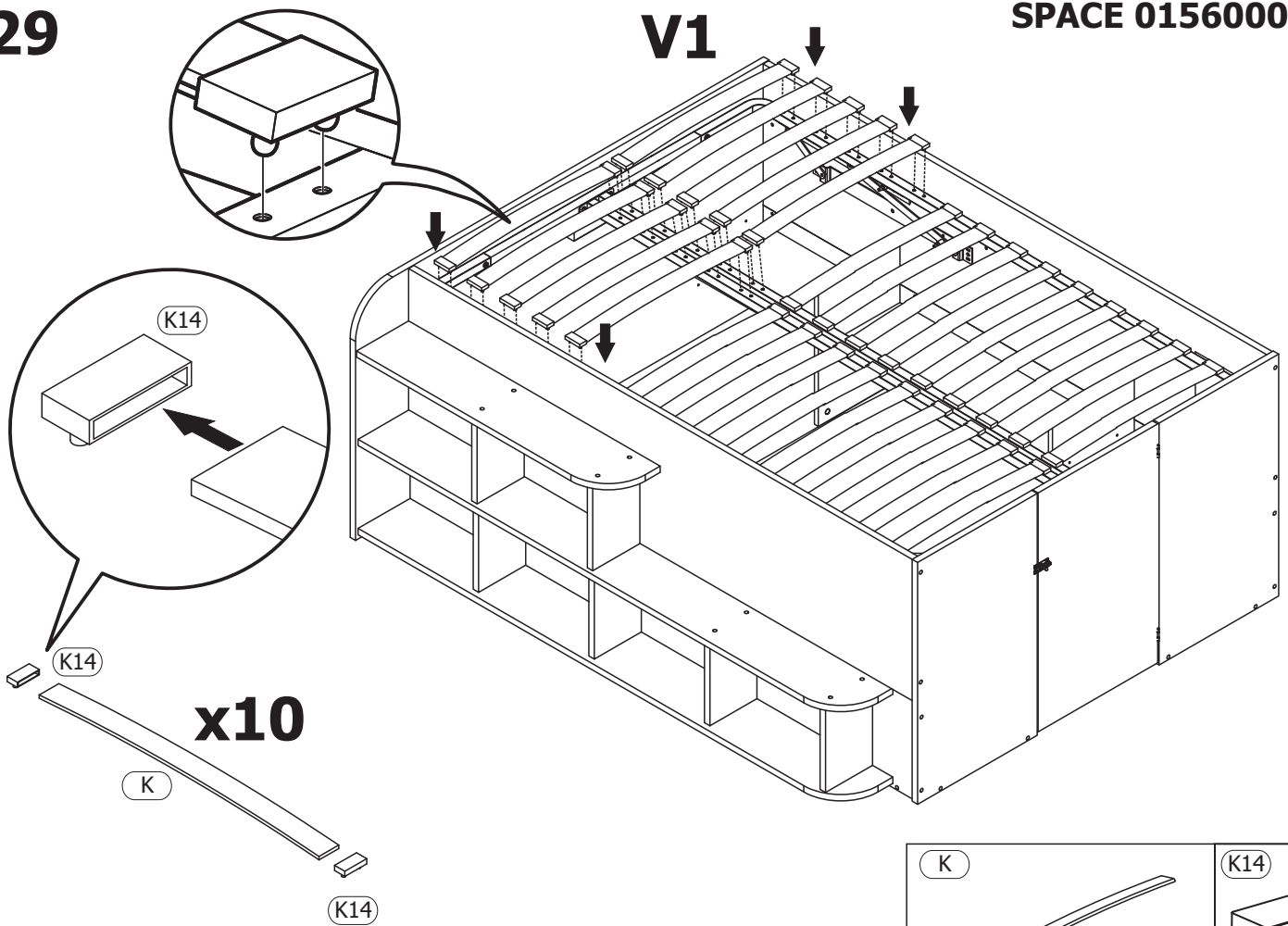
V2



25/29

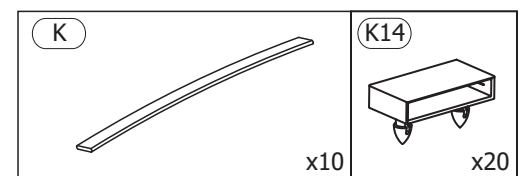
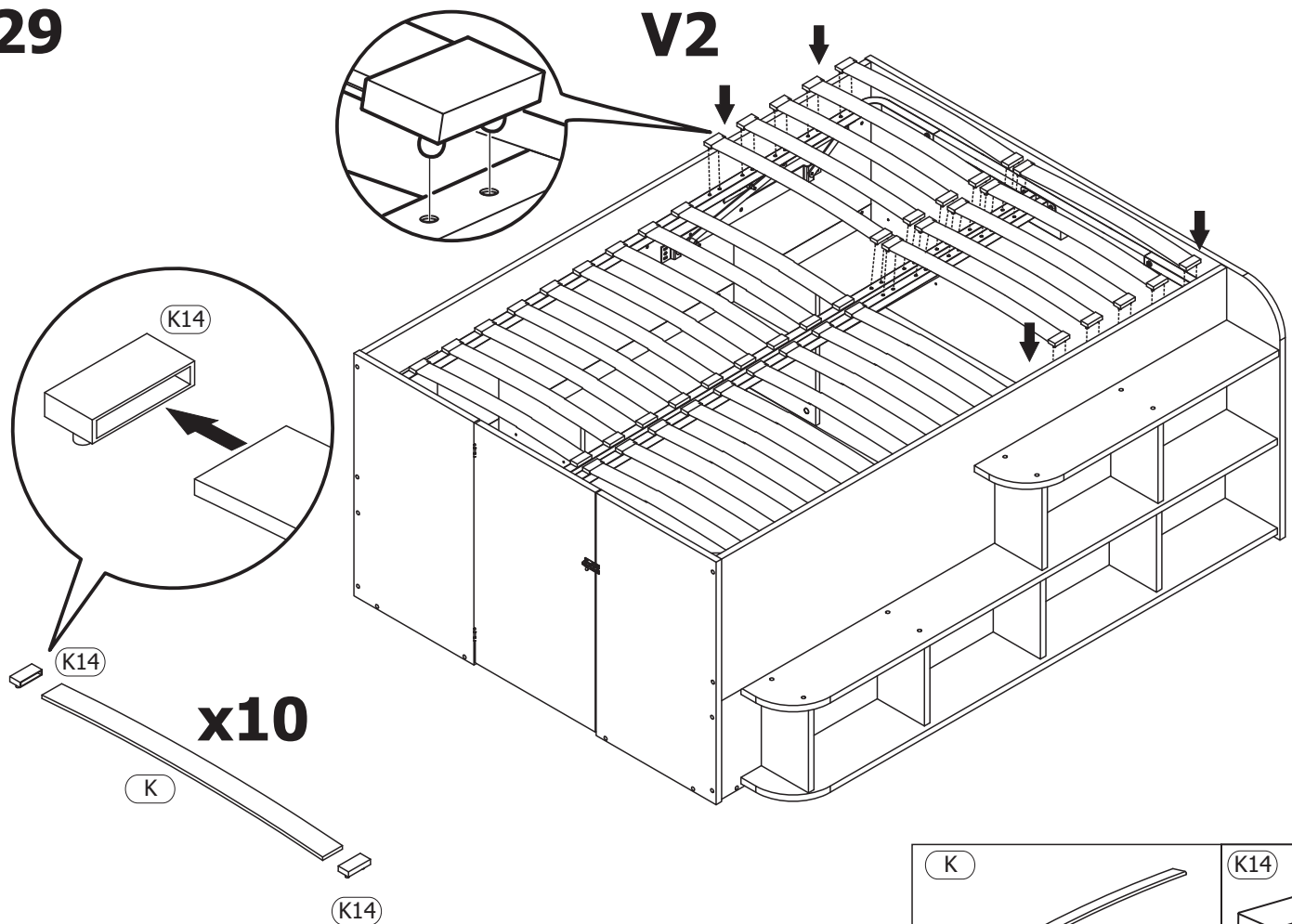
29

V1

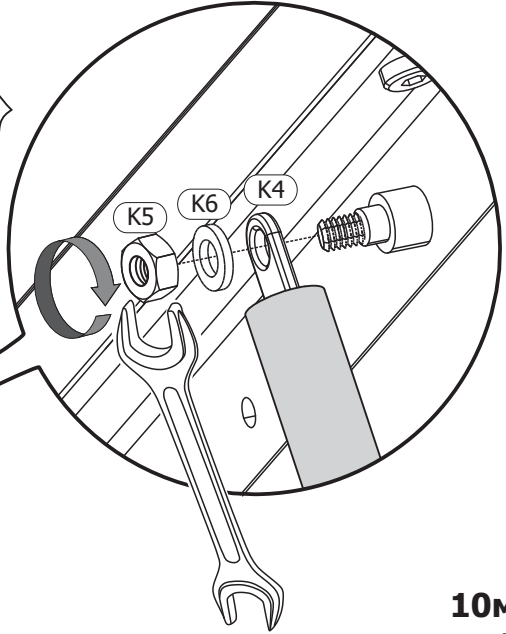
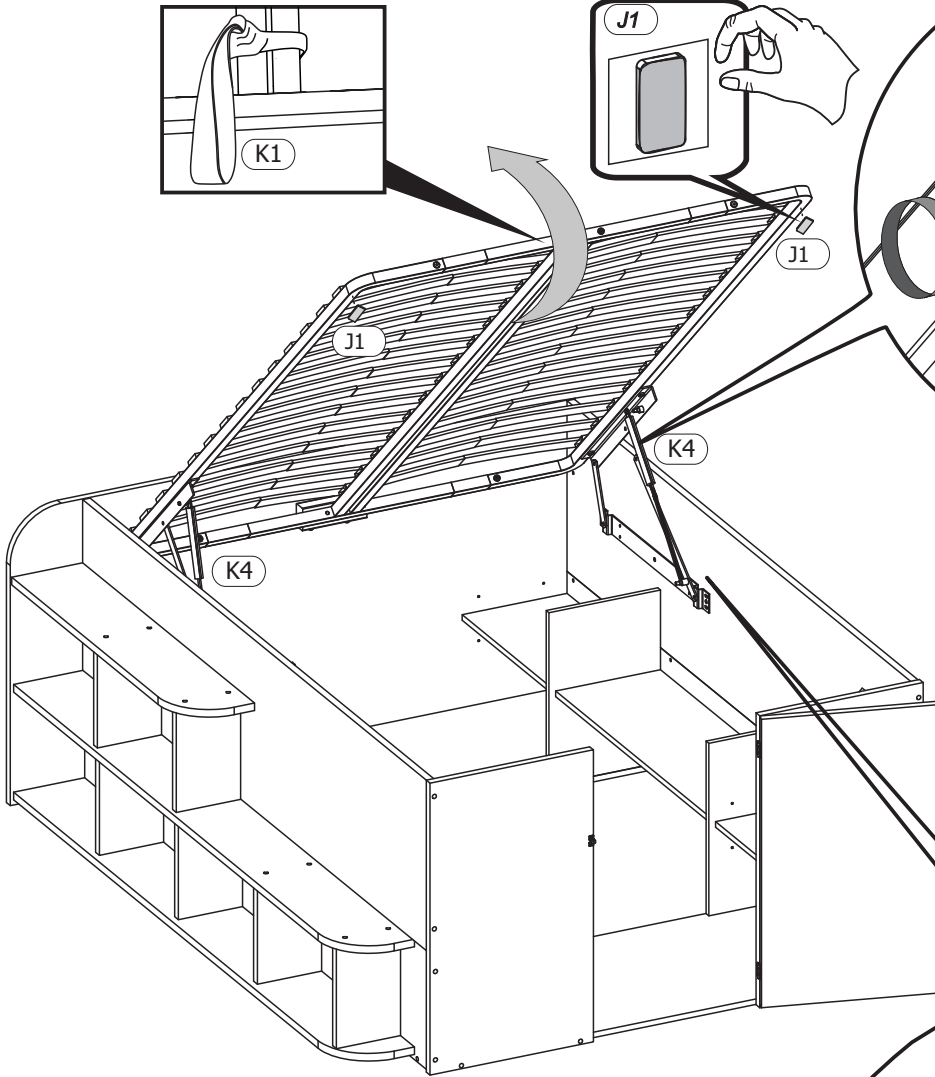


29

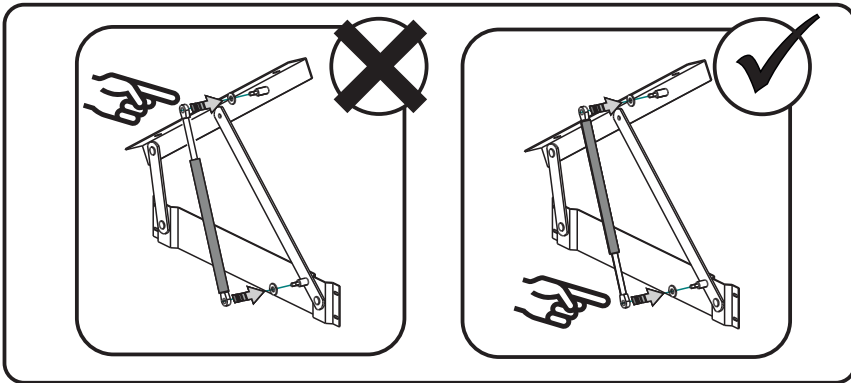
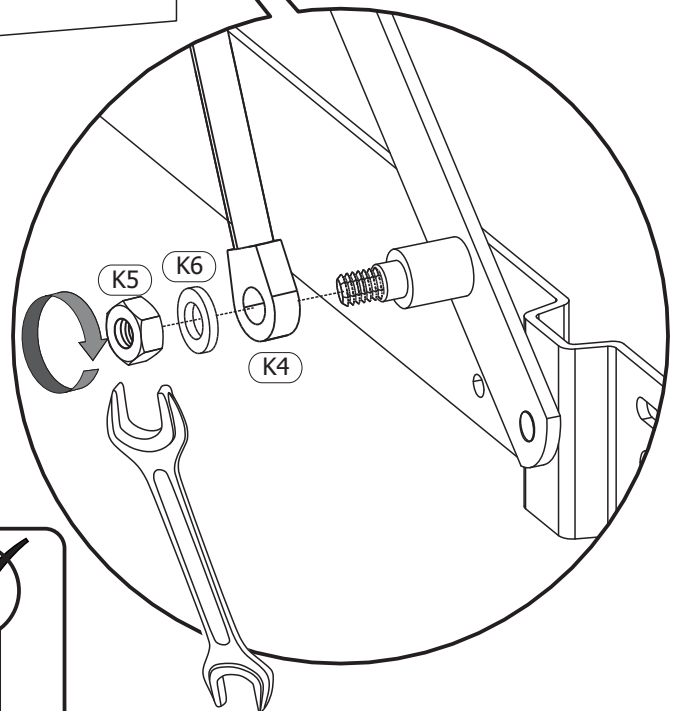
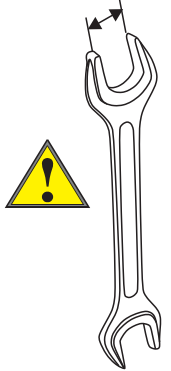
V2



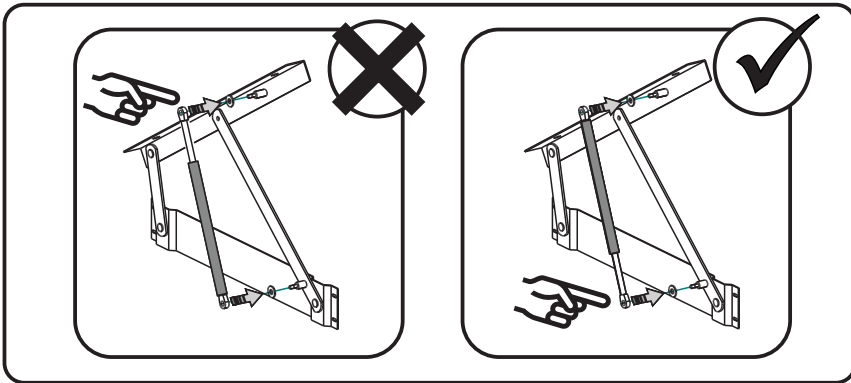
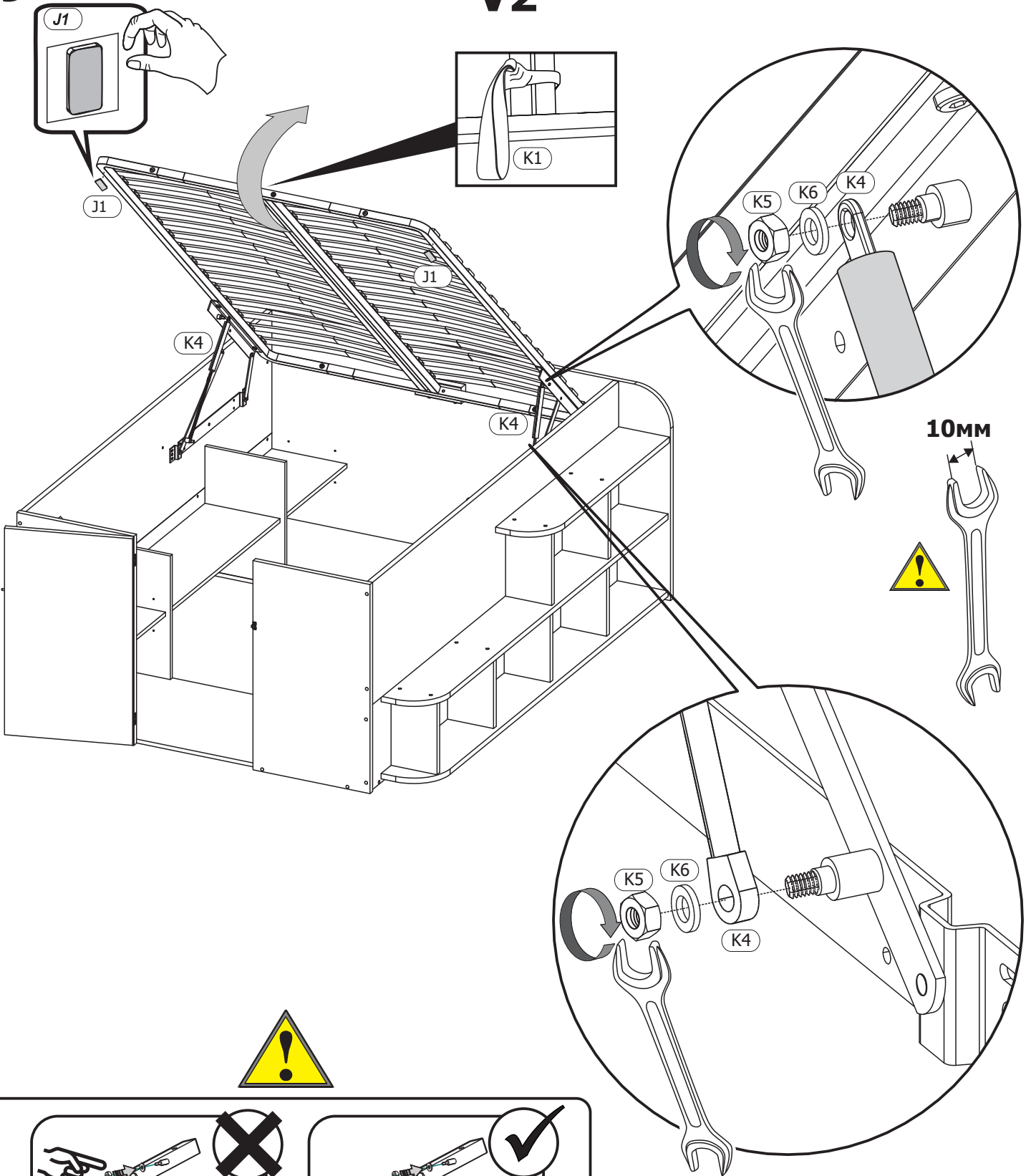
V1



10MM



<p>K4</p> <p>x2</p>	<p>J1</p> <p>x2</p>	<p>K1</p> <p>x1</p>
<p>K5</p> <p>M6 x4</p>	<p>K6</p> <p>Ø6 x4</p>	

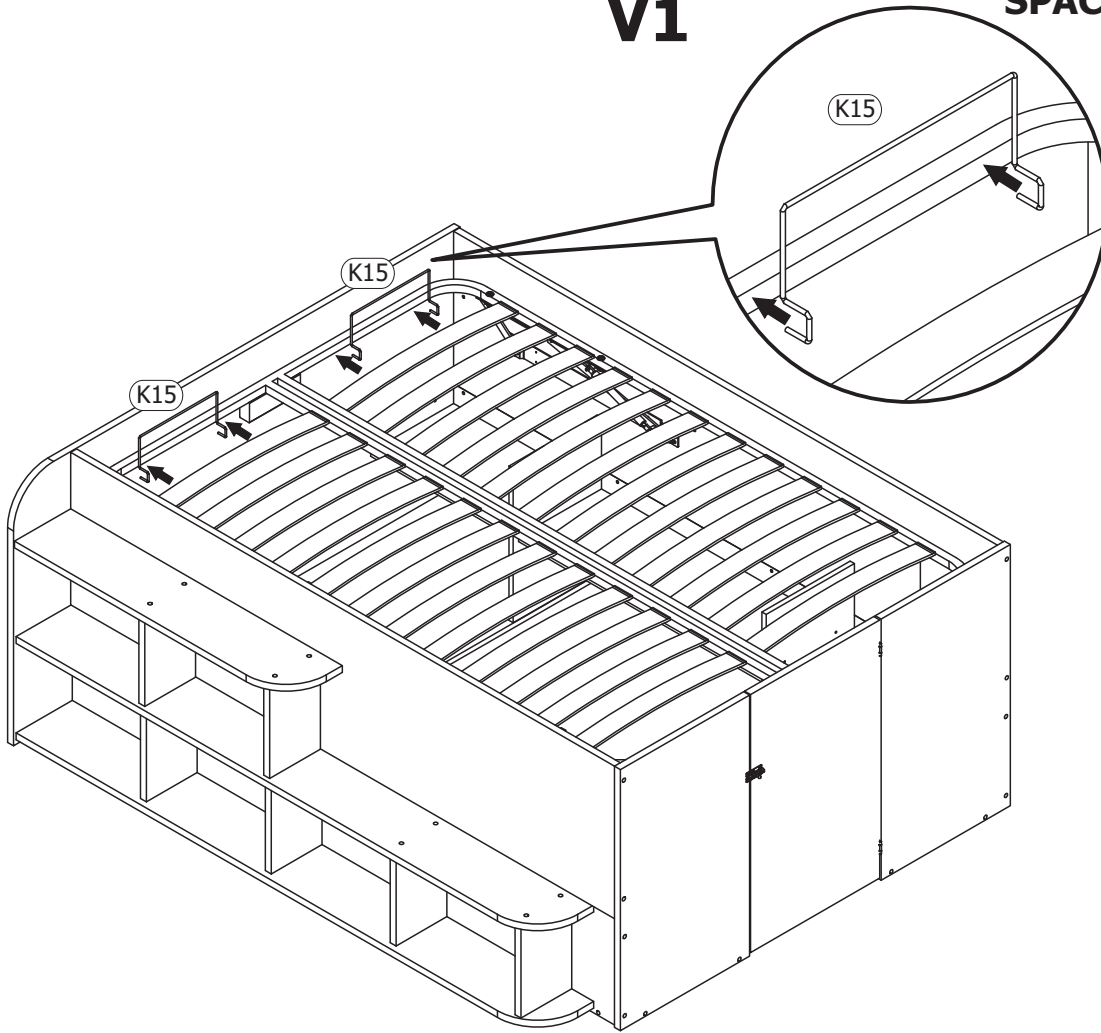


<p>J1</p> <p>x2</p>	<p>K1</p> <p>x1</p>
<p>K4</p> <p>x2</p>	<p>K5</p> <p>M6 x4</p> <p>K6</p> <p>Ø6 x4</p>

30

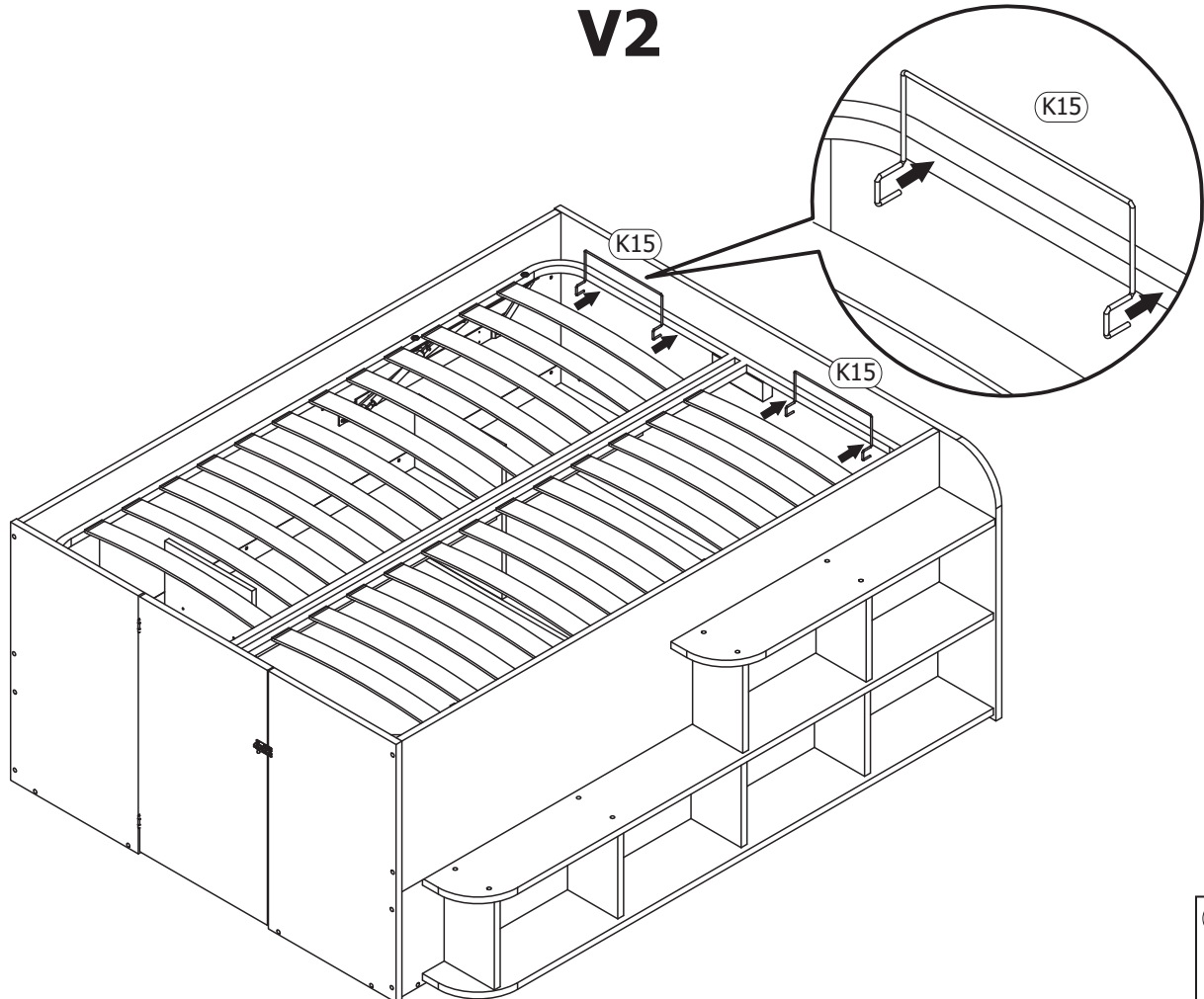
V1

SPACE 01560009/01



30

V2



29/29

