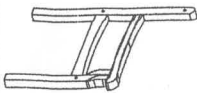


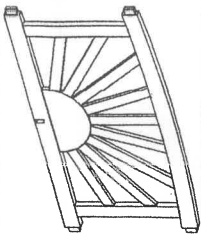
# ASSEMBLY INSTRUCTION

## Part List

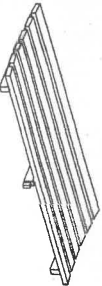
A. Side frame = 2x



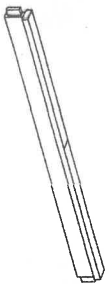
B. Back support = 1x



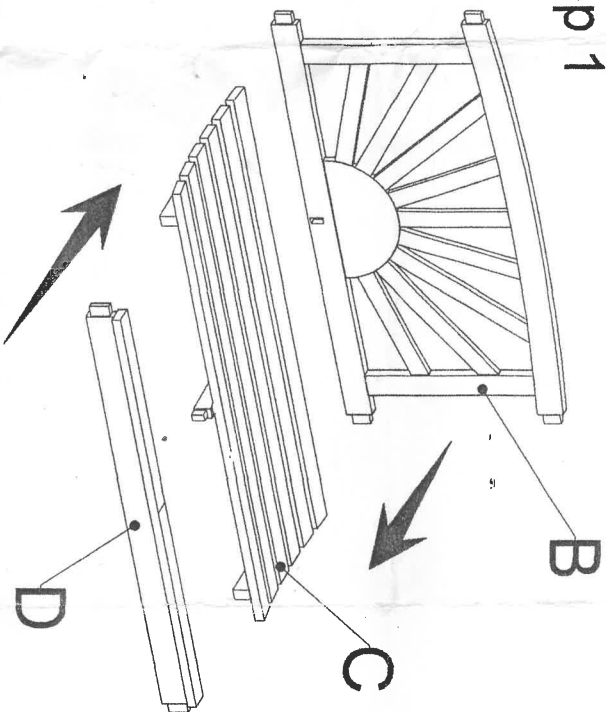
C. Seat = 1x



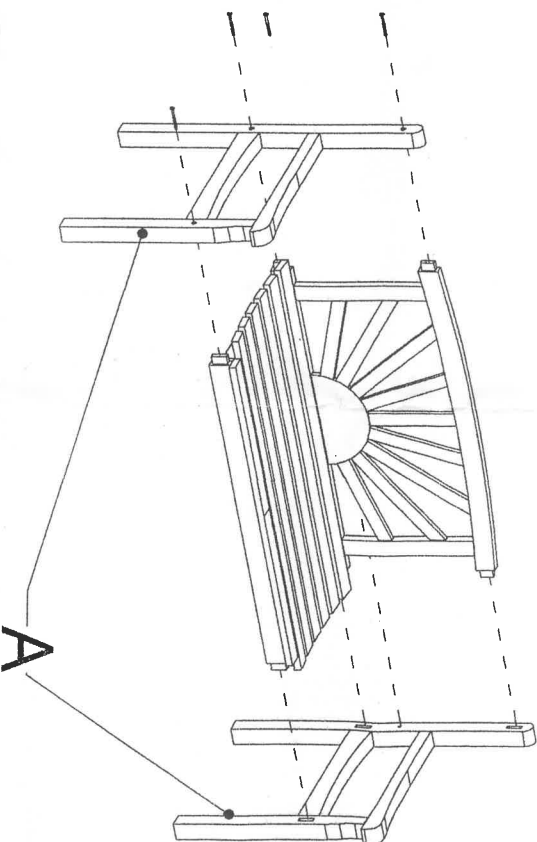
D. Front Apron = 1x



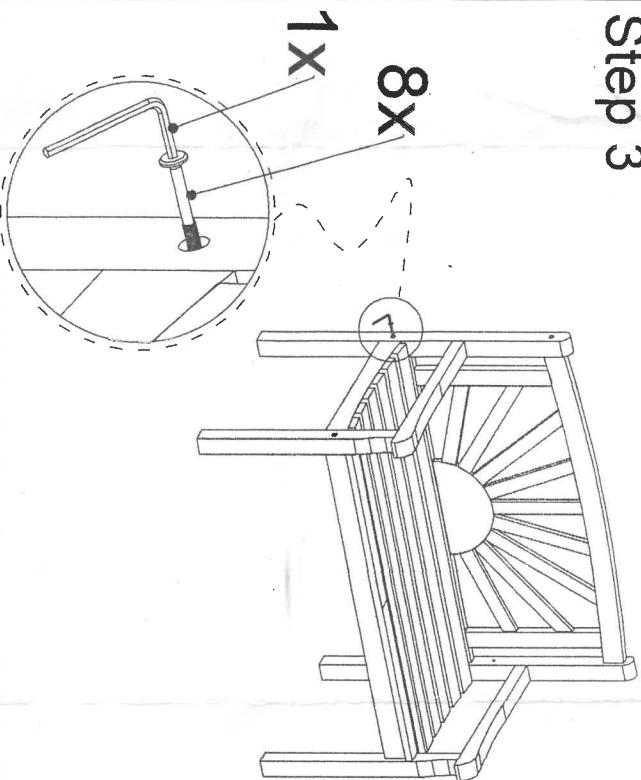
### Step 1



### Step 2



### Step 3



### Step 4

