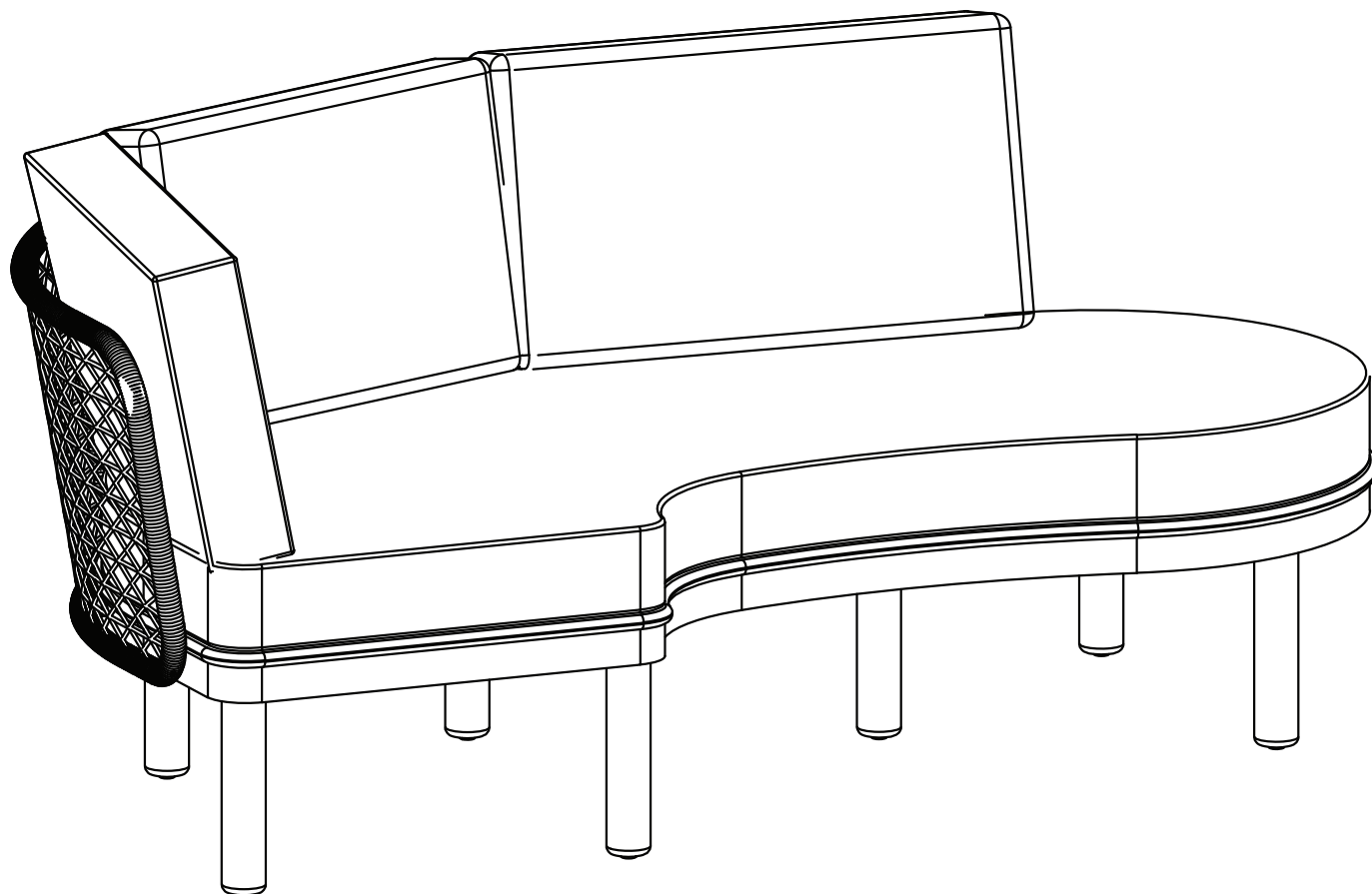


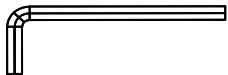



# ASSEMBLY INSTRUCTIONS

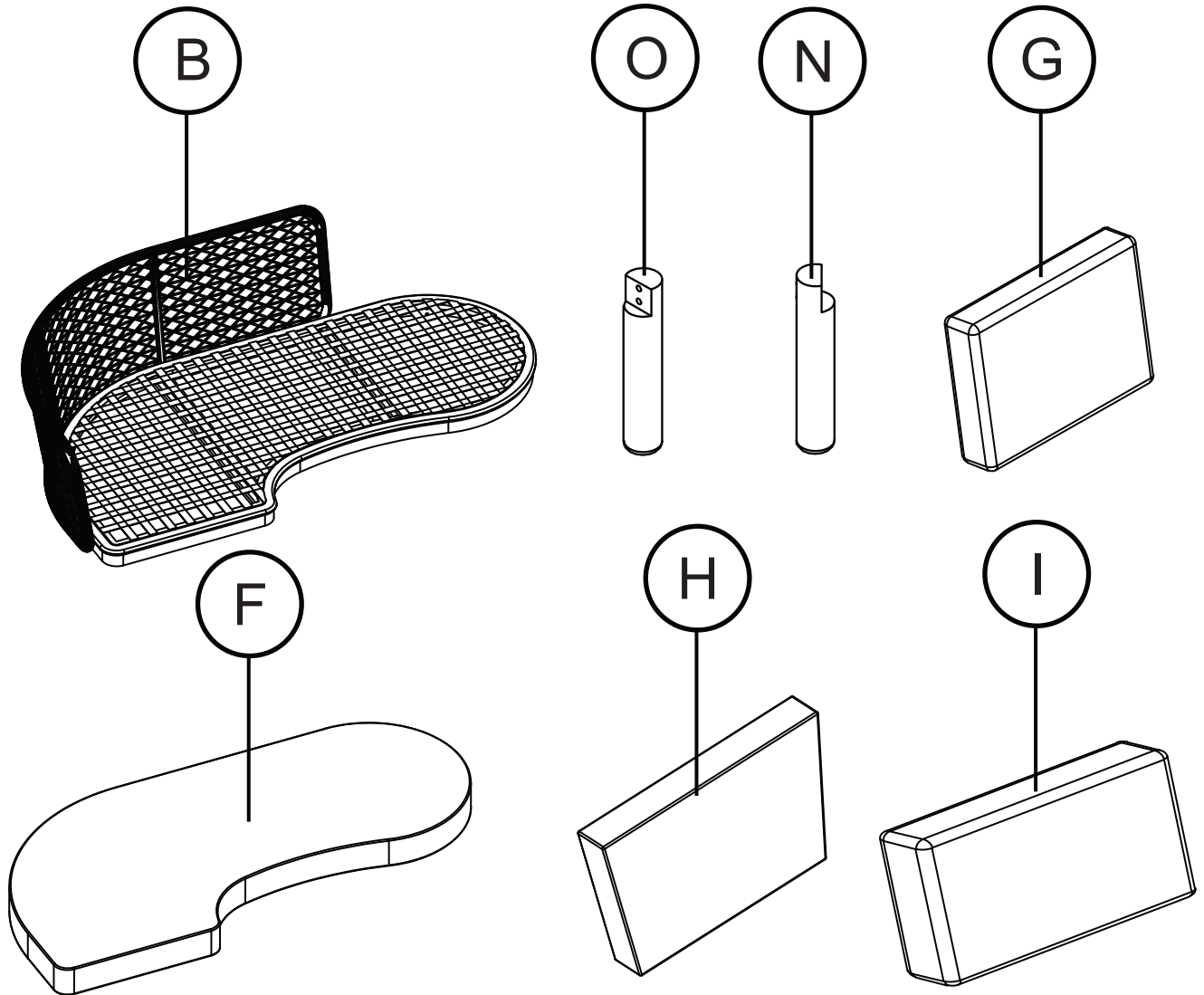
## COLOMBIA RIGHT BENCH



### HARDWARE LIST

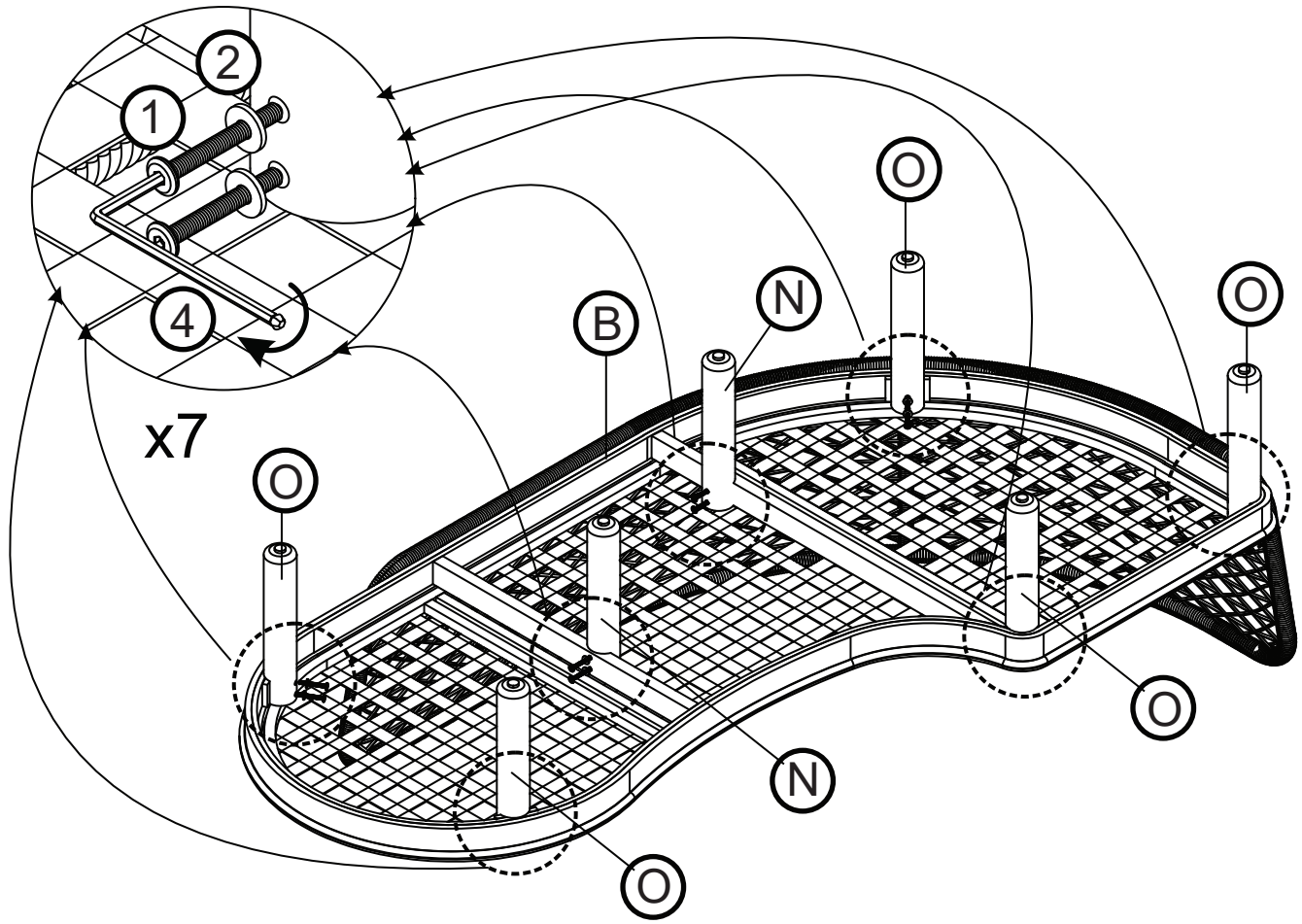
NO.		NAME	QTY'
①		BOLT M6 X 55 MM	14
②		WASHER M14 X 6.5 X 1 MM	14
④		ALLEN KEY M4 X 75 MM	1
⑤		VELCRO	2

# PART LIST

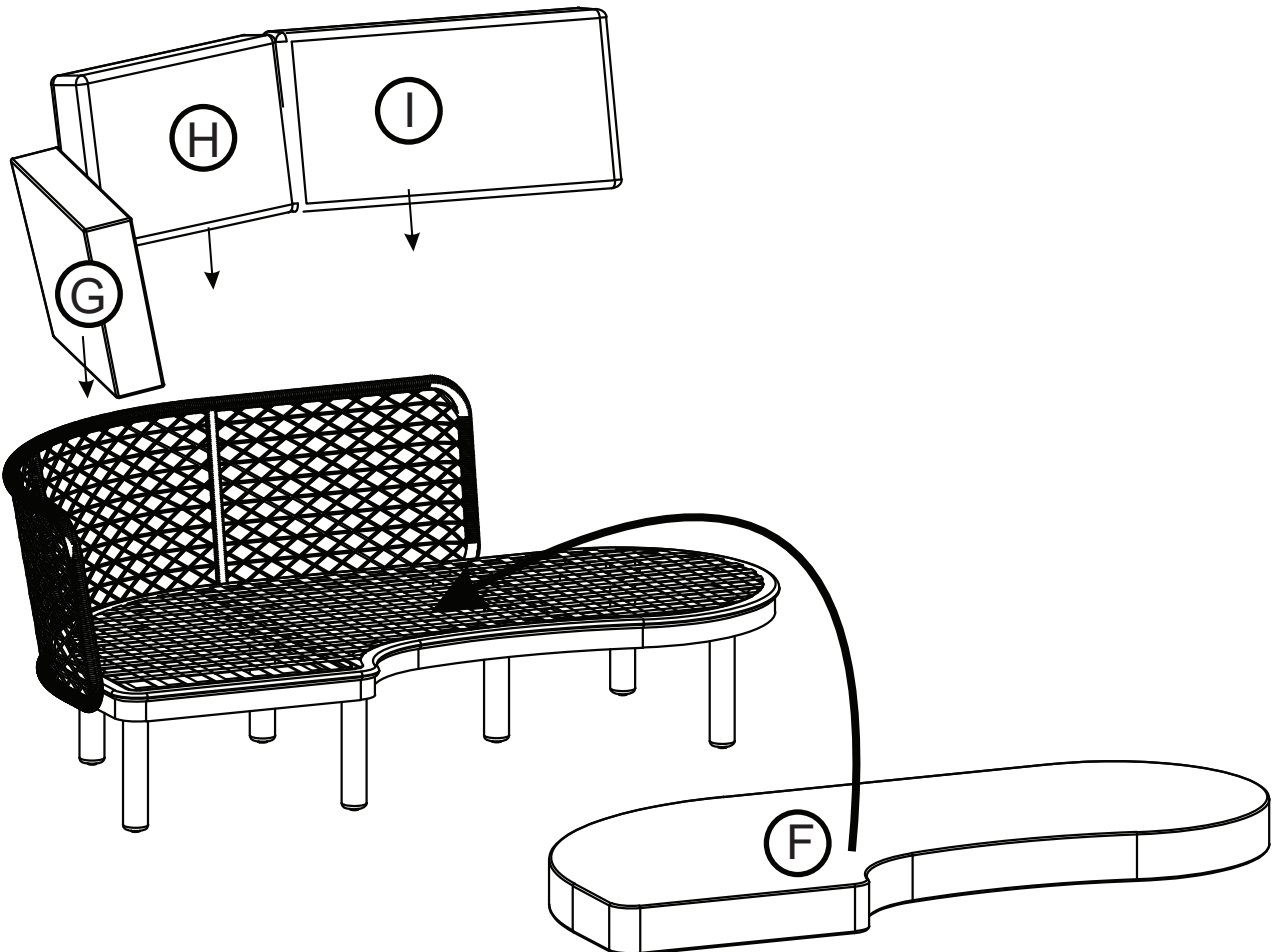


NO.	PART NAME	QTY'
(B)	FRAME RIGHT BENCH	1
(O)	BENCH LEG	5
(N)	MIDDLE LEG	2
(F)	RIGHT BENCH SEAT CUSHION	1
(G)	SMALL BACK CUSHION	1
(I)	BIG BACK CUSHION	1
(H)	SIDE CUSHION	1

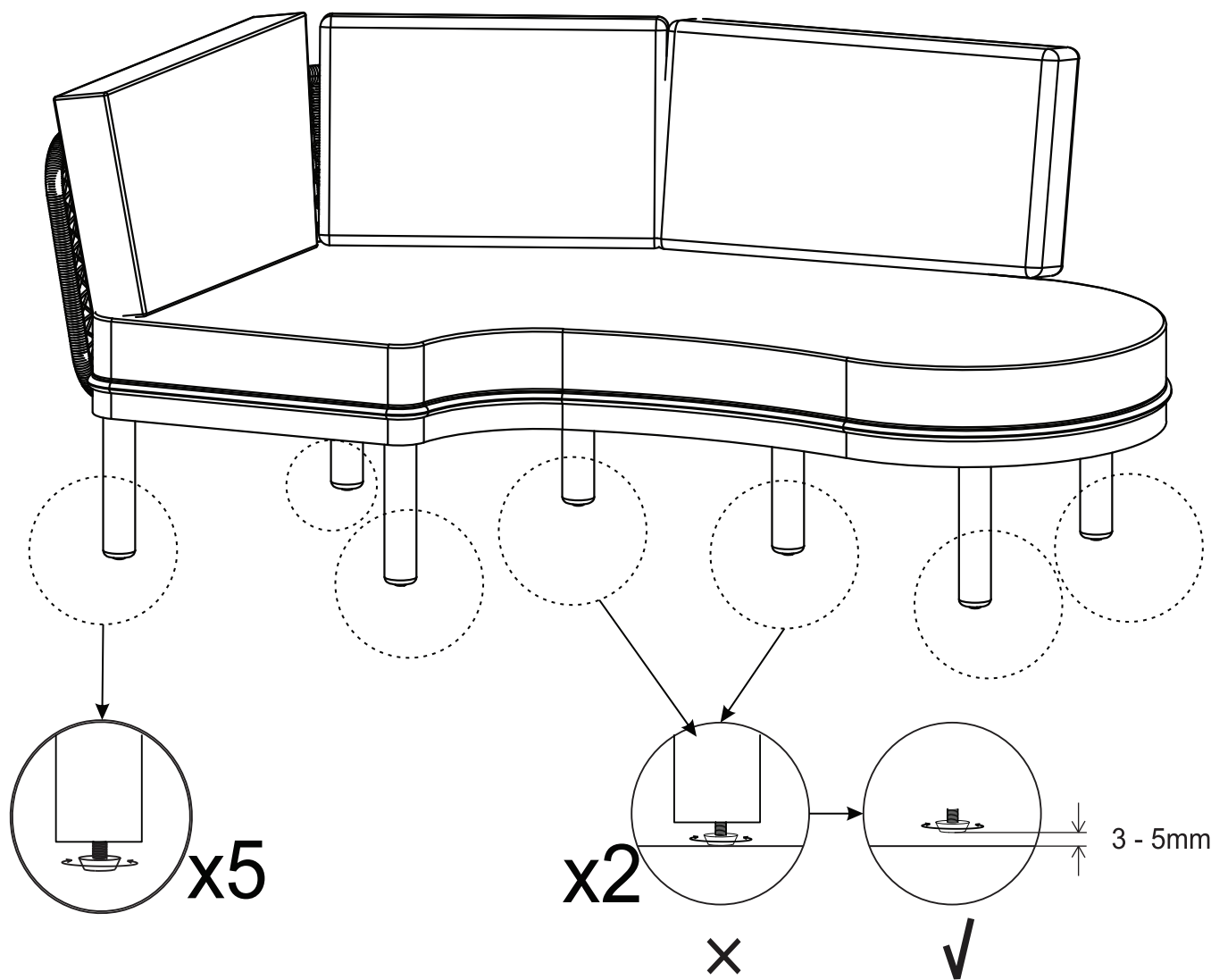
STEP 1



STEP 2



FINISHED



# CONNECTING LEFT & RIGHT BENCHES

