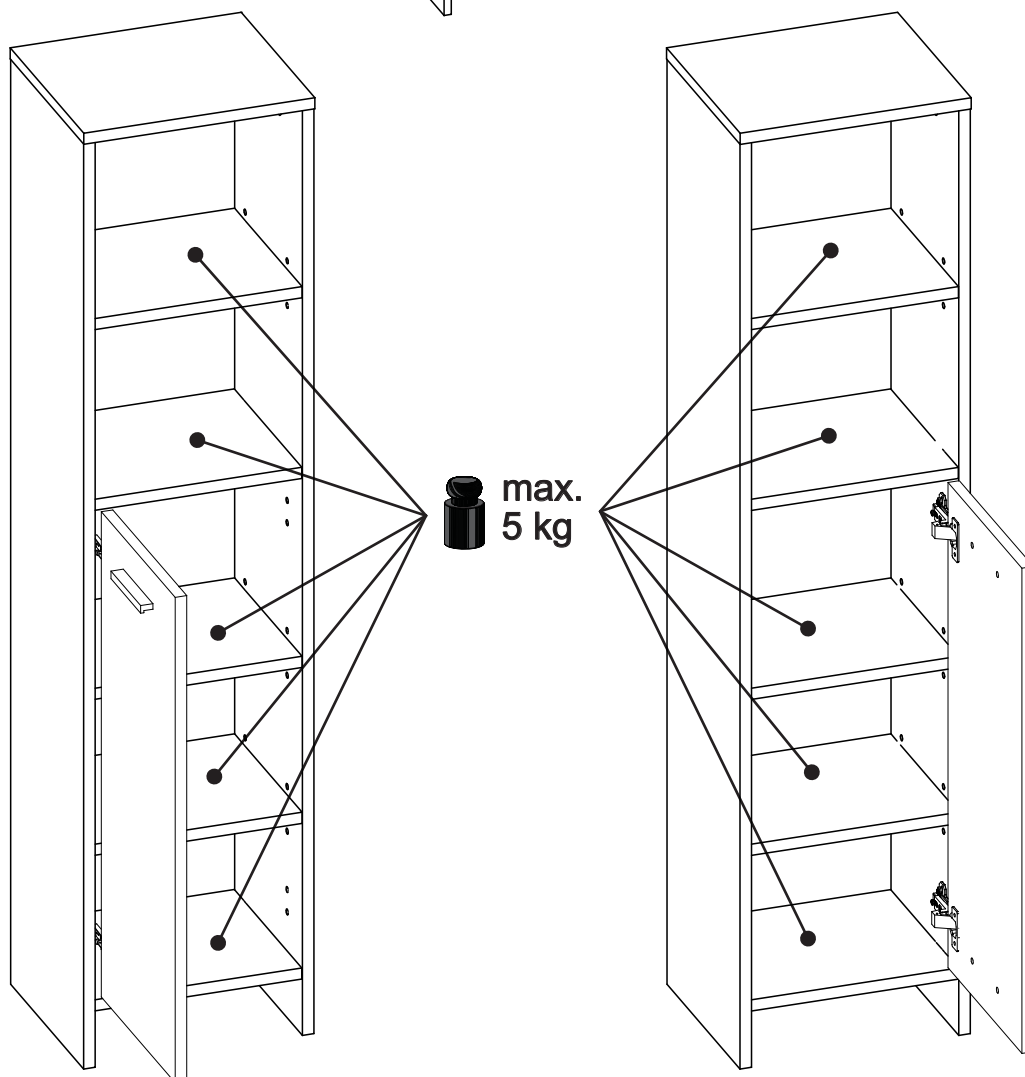
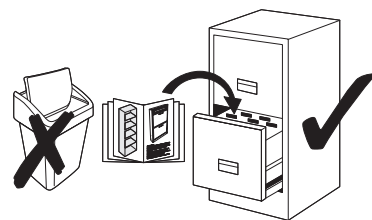
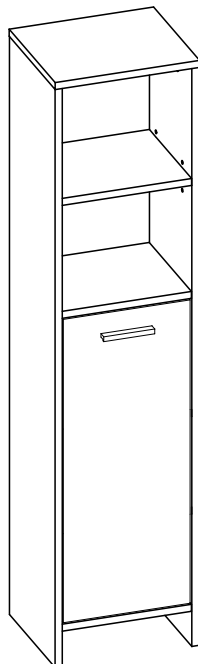
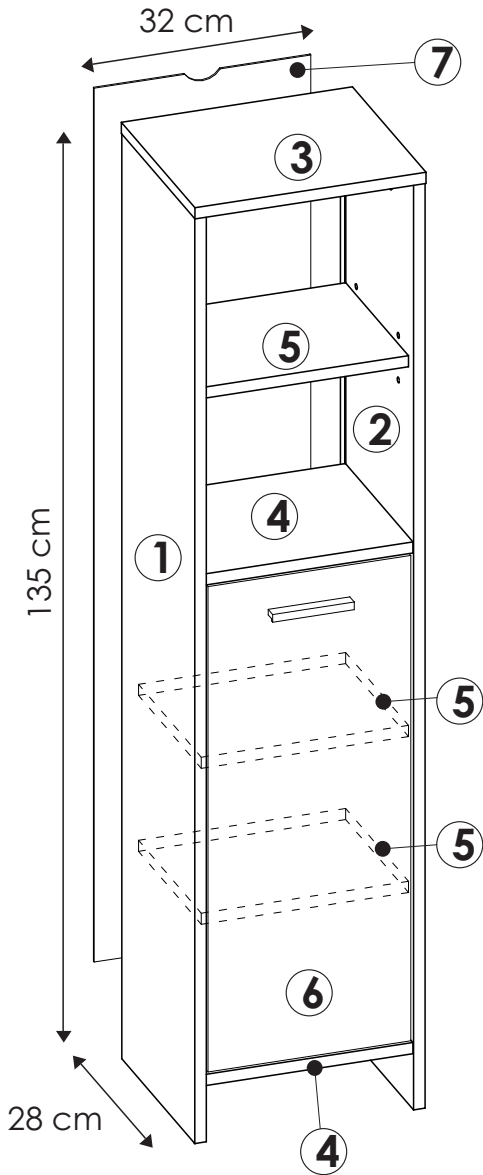



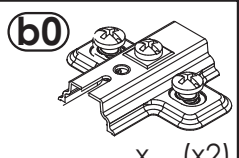
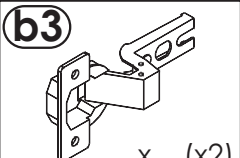





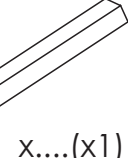






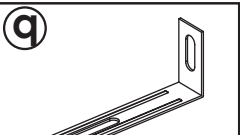


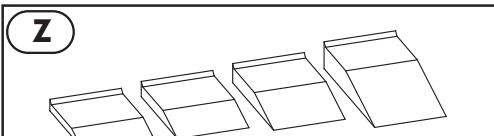
1803

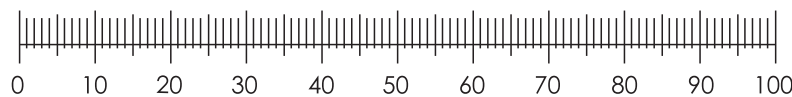
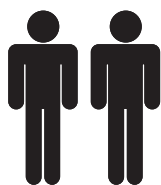
# ATTACK ATE01



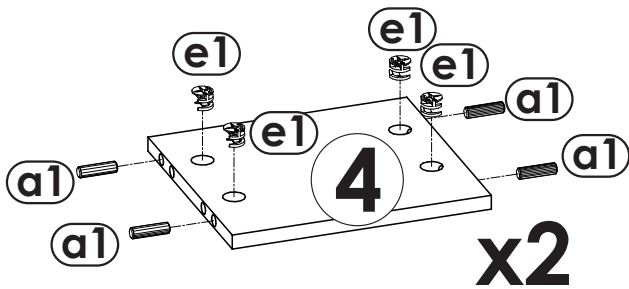
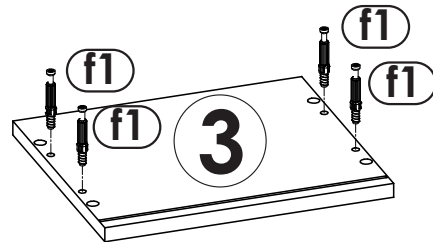
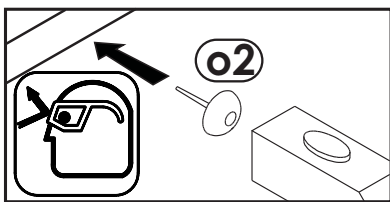
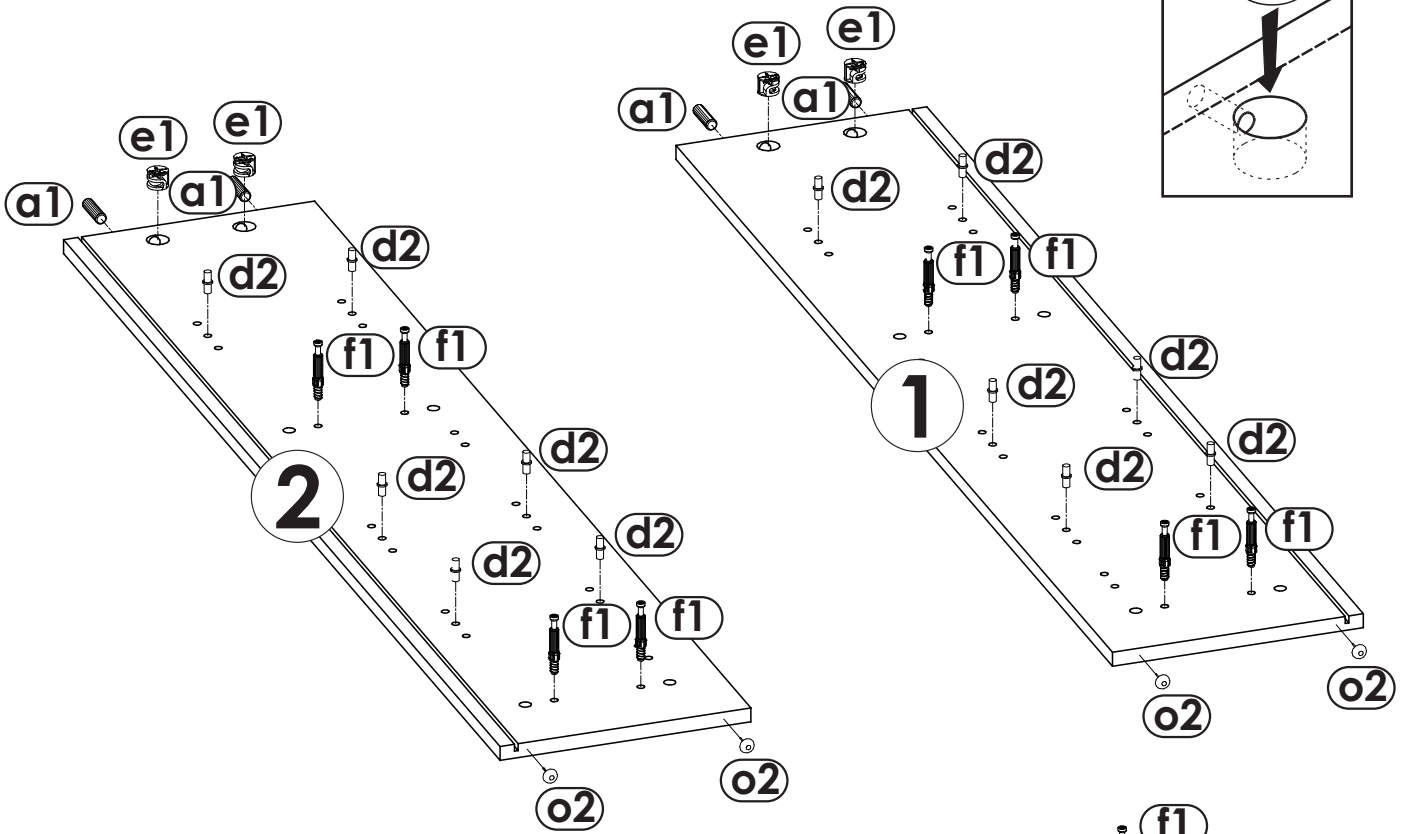
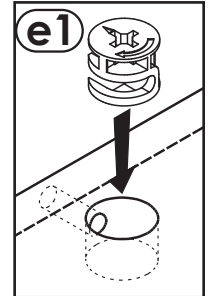
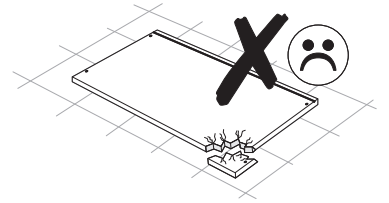
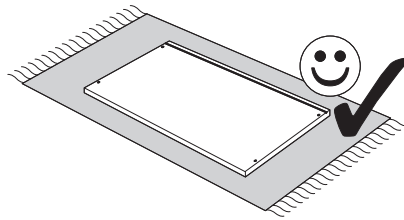
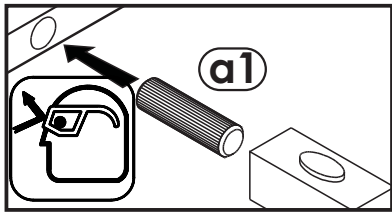
# ATTACK ATE01



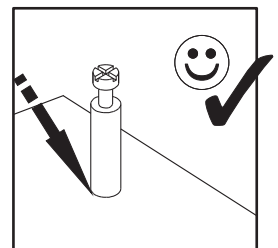
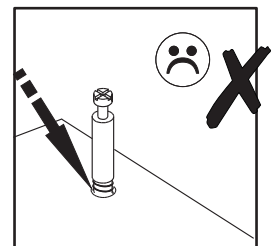
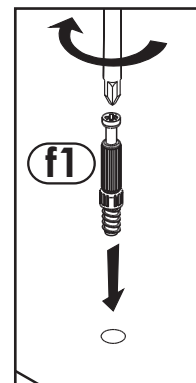
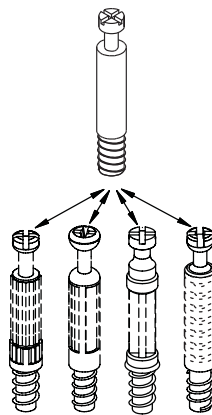
<b>a1</b>  8x35 x...(x12)	<b>b0</b>  x...(x2)	<b>b3</b>  x...(x2)			
<b>c1</b>  Euro 4x13 x...(x4)	<b>d2</b>  x...(x12)	<b>e0</b>  x...(x12)	<b>e1</b>  x...(x12)	<b>f1</b>  x...(x12)	
<b>h1</b>  x...(x1)	<b>i2</b>  4x16 x...(x1)	<b>i8</b>  3,5x27 x...(x2)	<b>m</b>  x...(x1)	<b>n1</b>  3x16 x...(x10)	
<b>o2</b>  x...(x4)	<b>p0</b>  φ5 x...(x6)	<b>q</b>  x...(x1)	<b>r4</b>  x...(x7)	<b>r8</b>  x...(x2)	<b>z</b>  x...(x1)



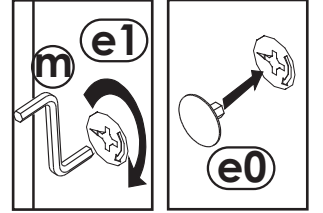
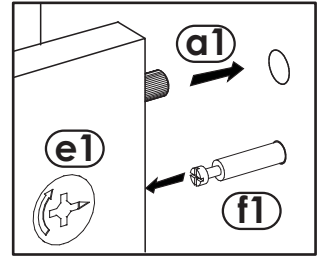
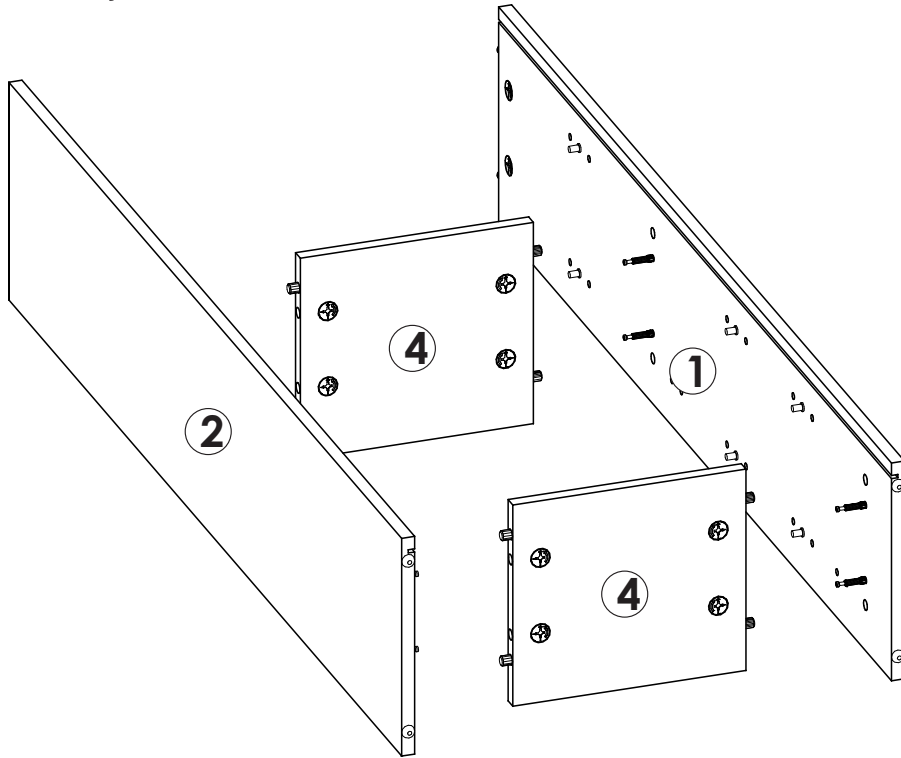
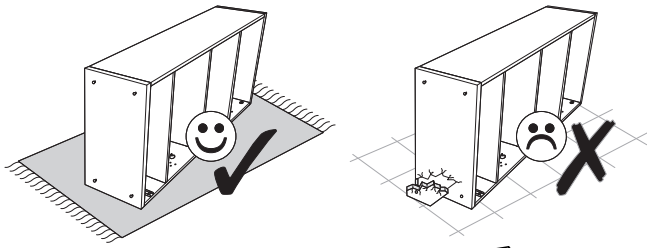
1



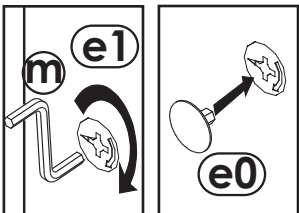
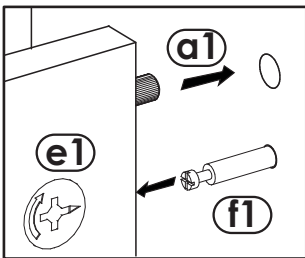
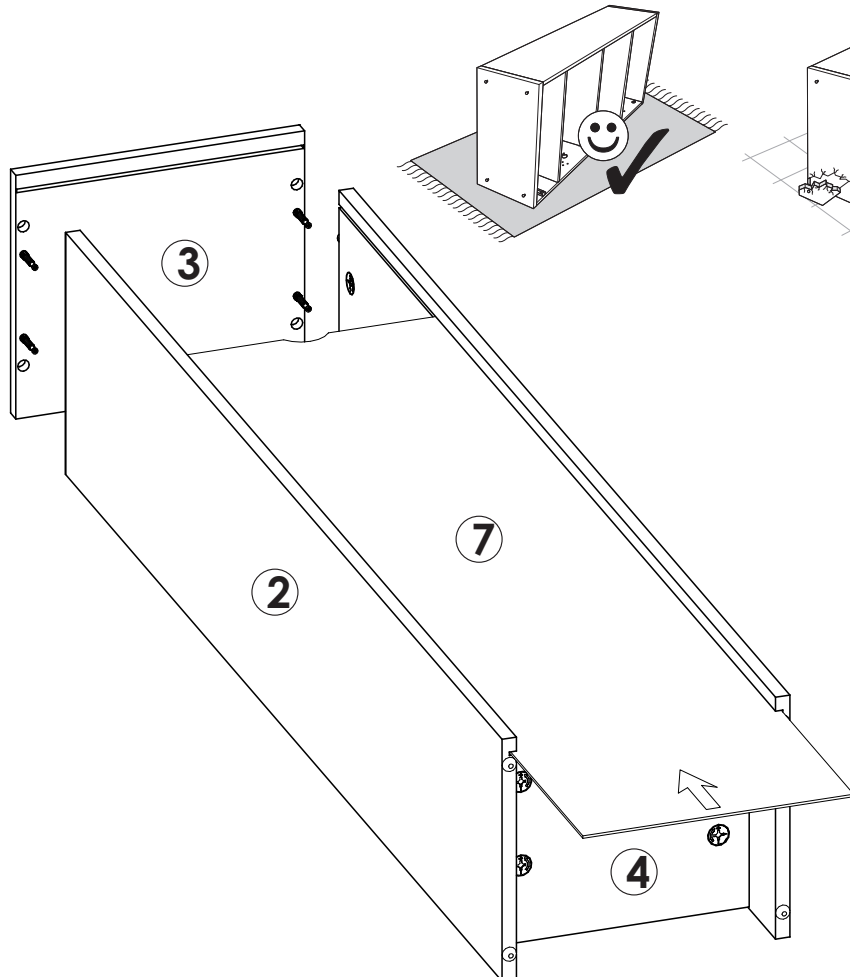
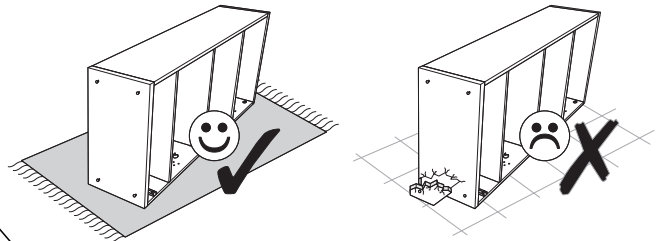
x2



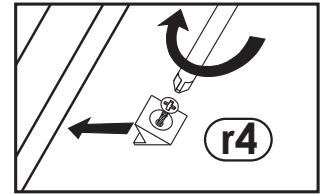
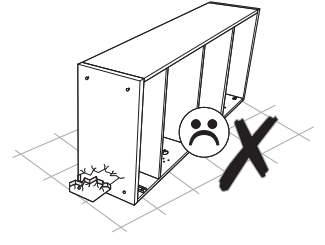
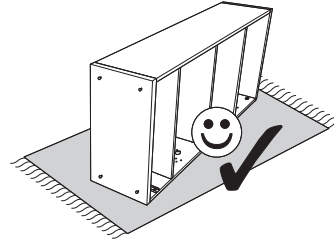
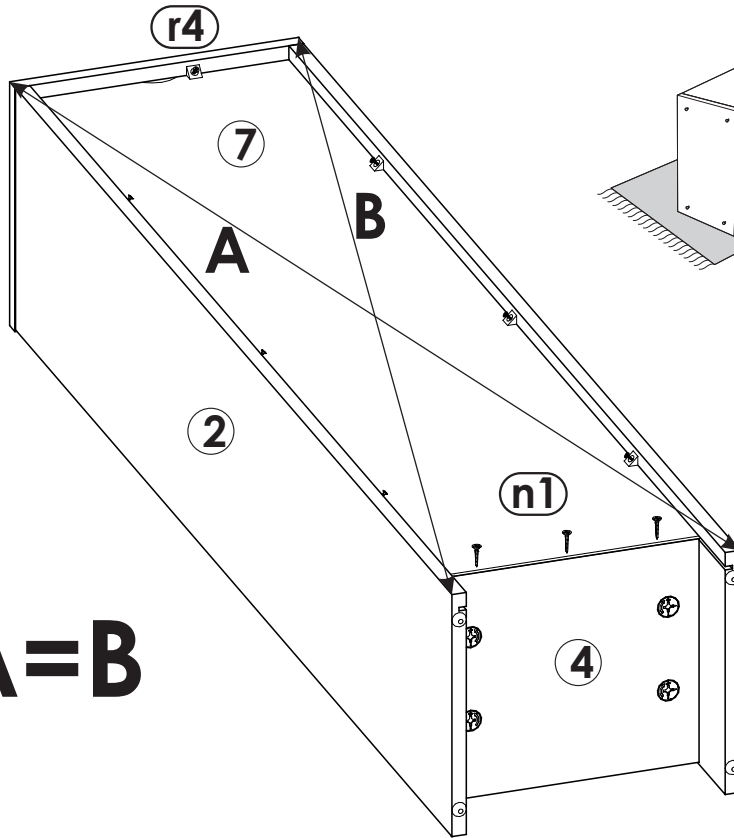
# 2



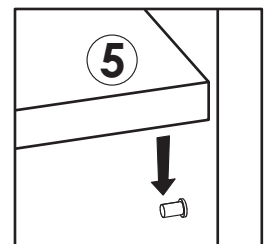
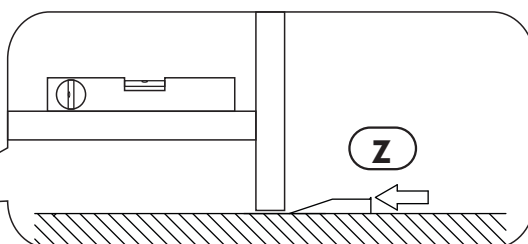
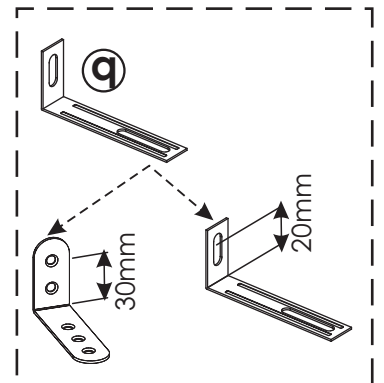
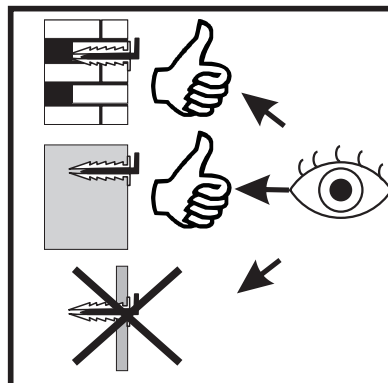
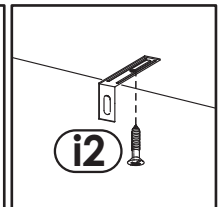
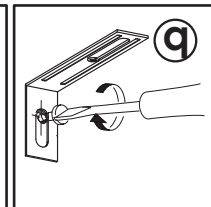
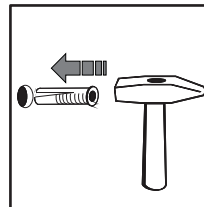
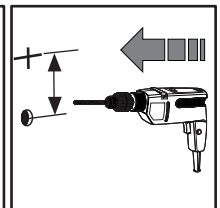
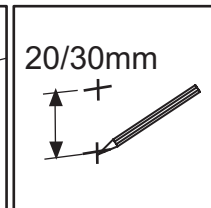
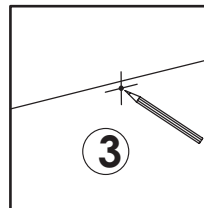
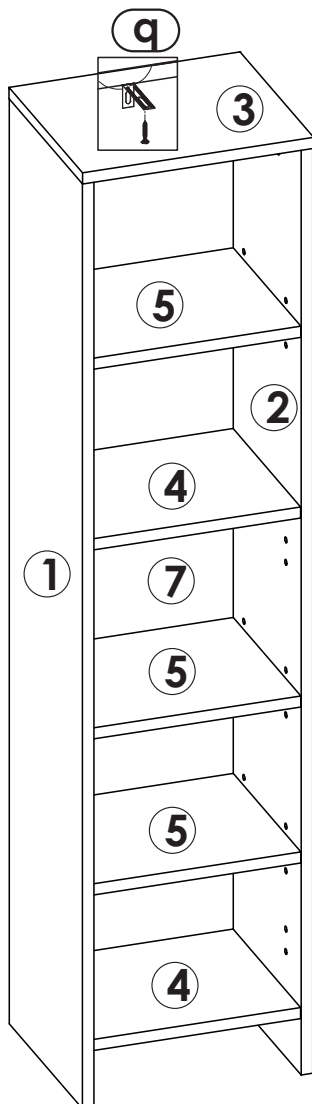
# 3



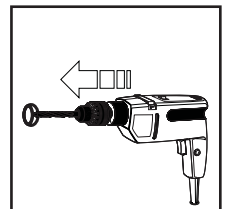
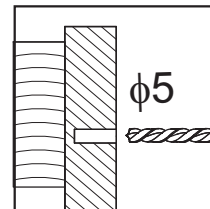
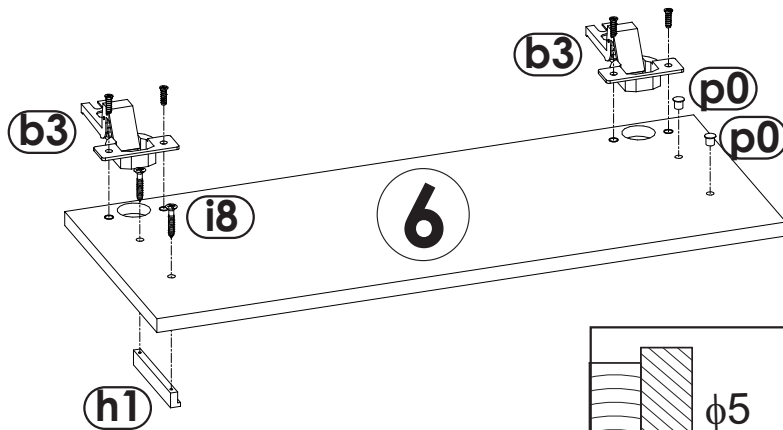
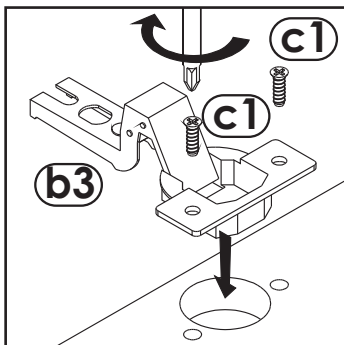
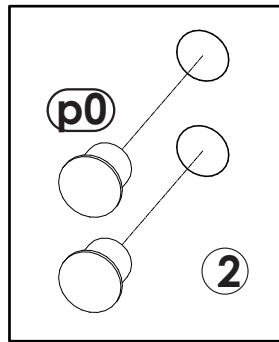
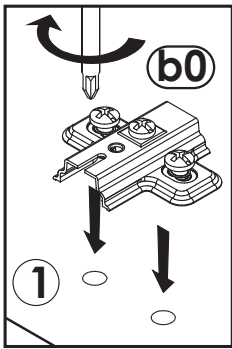
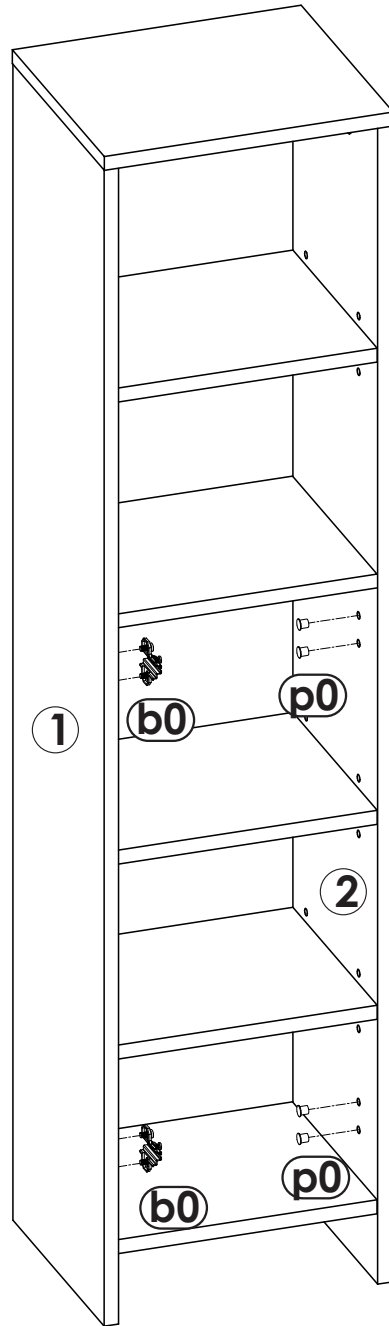
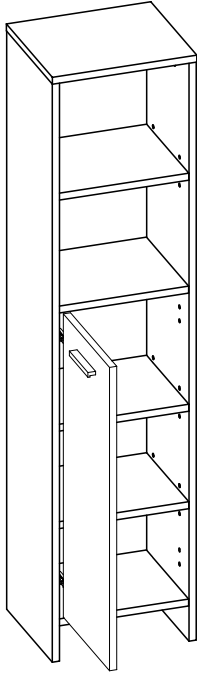
4



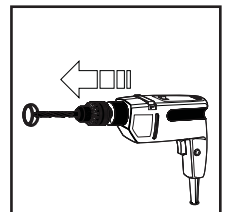
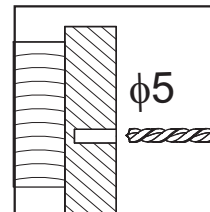
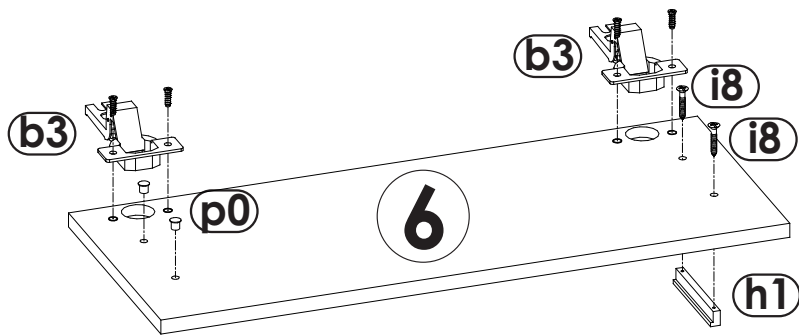
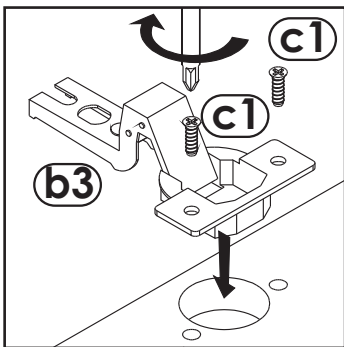
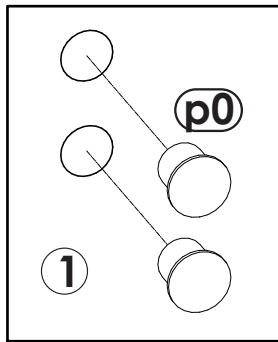
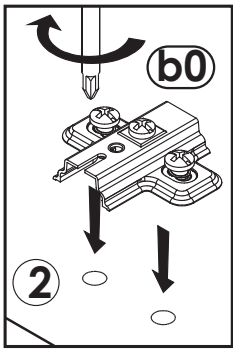
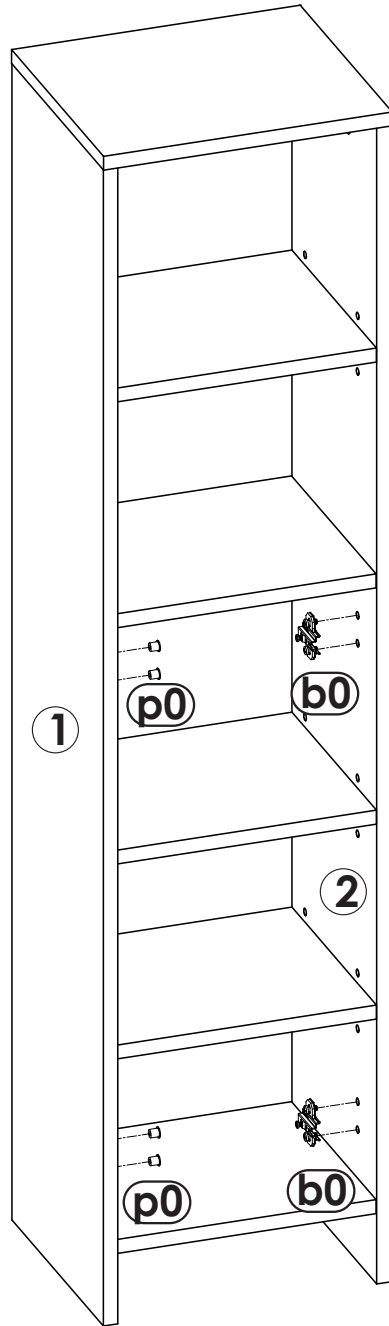
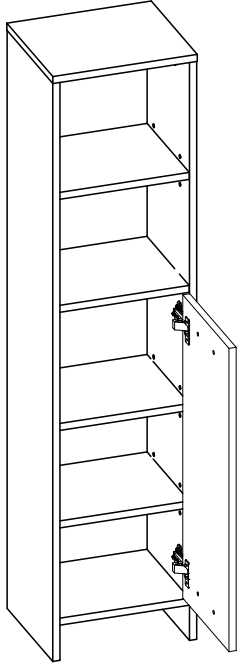
5



6L  
▼



**6R**  
▼



7  
▼

