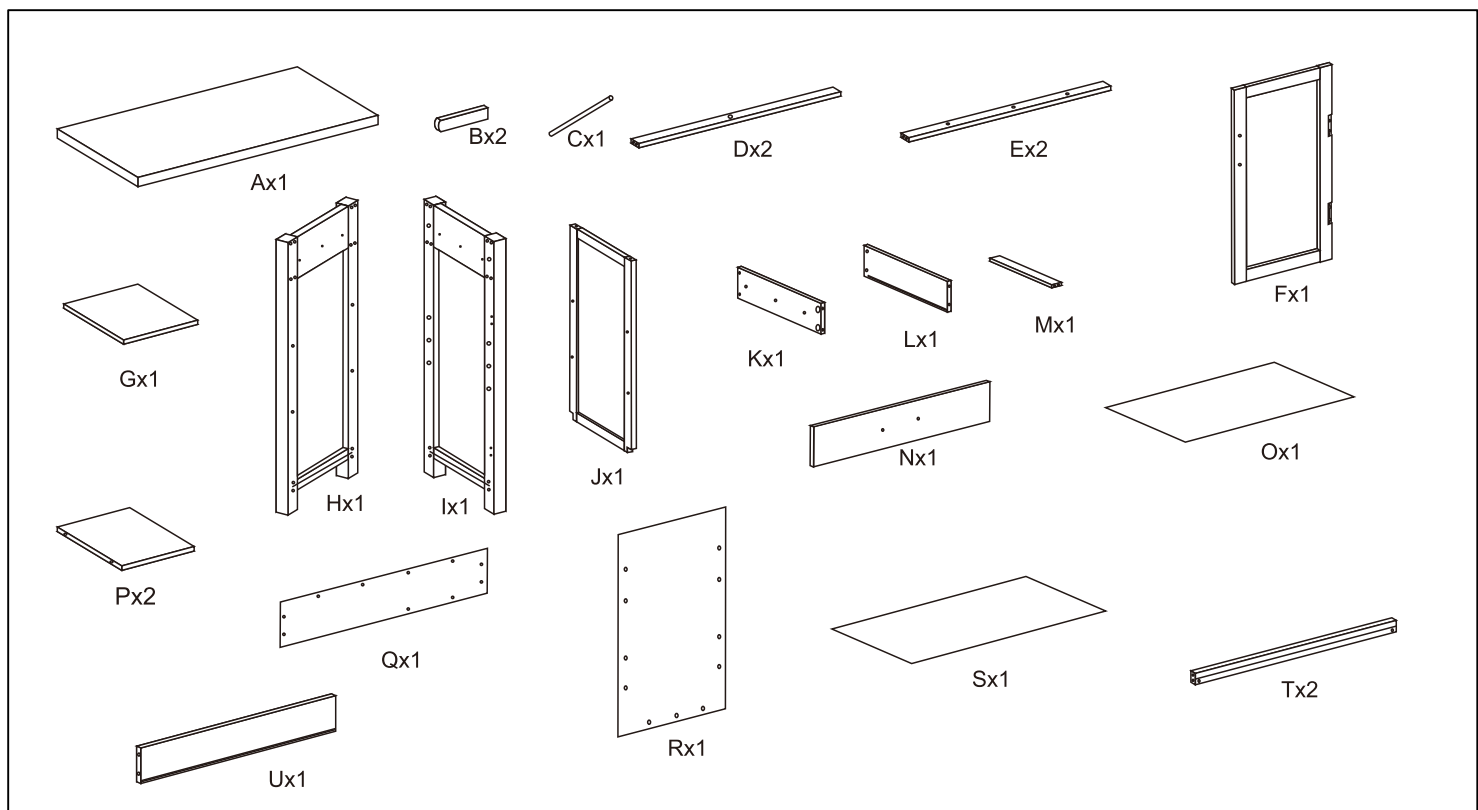
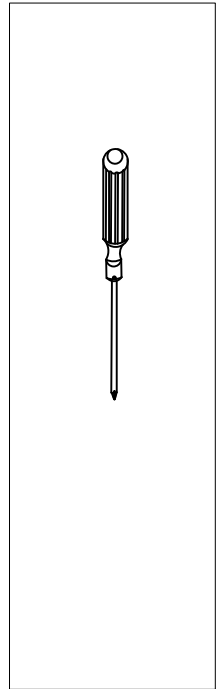
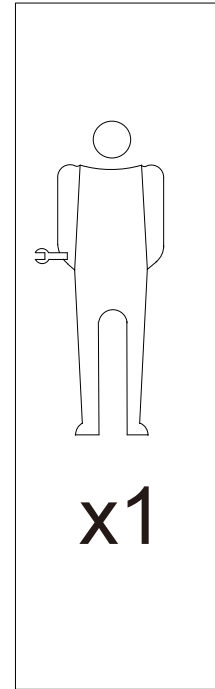


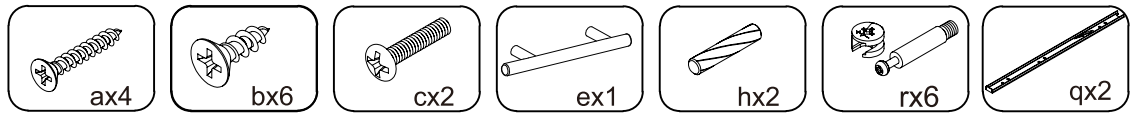
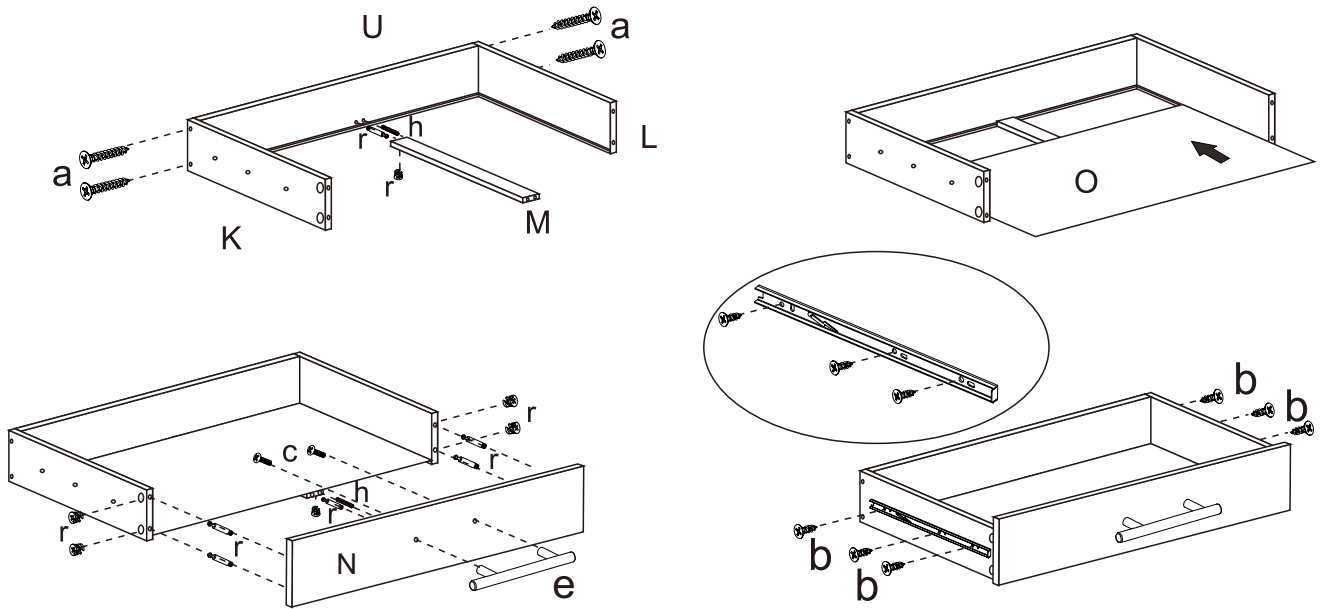
INSTRUCTION SHEET

22240025-01

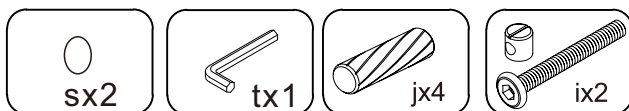
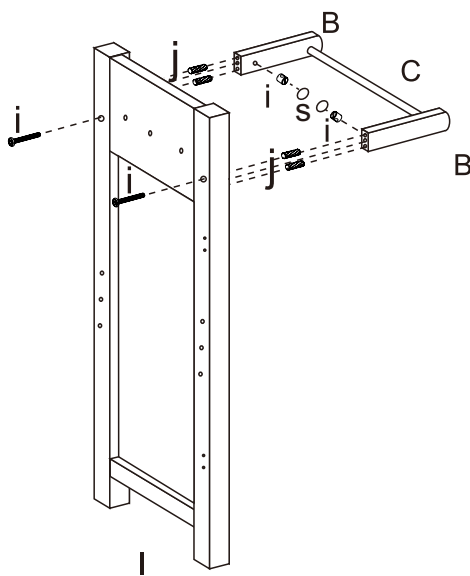


ax10	bx21	cx4	dx2	ex2	fx2	gx2	hx14
ix16	jx4	kx1	lx4	mx2	nx1	ox24	px2
qx2	rx14	sx14	tx1				

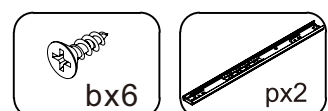
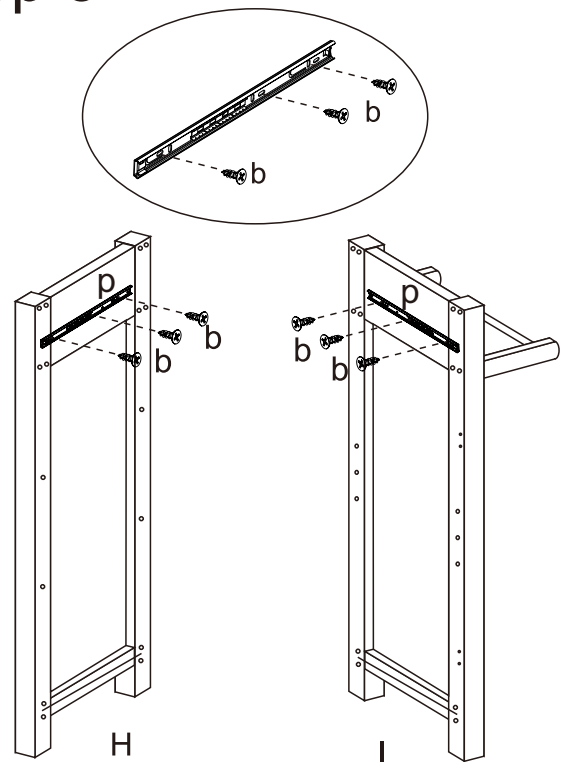
Step 1



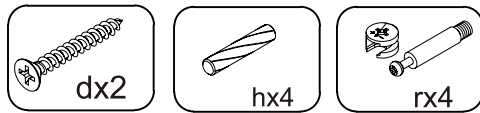
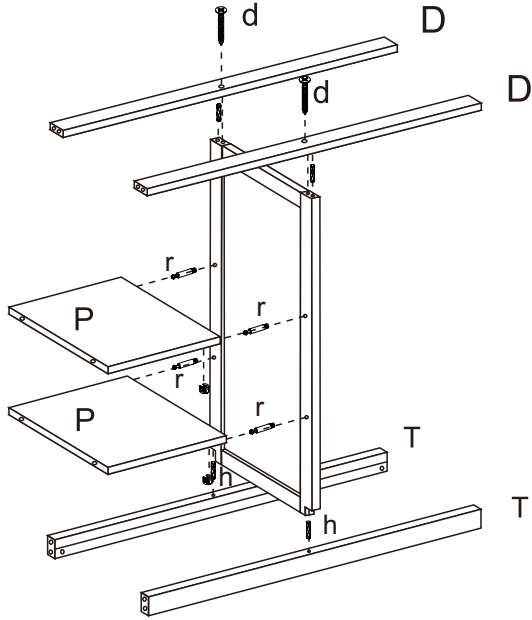
Step 2



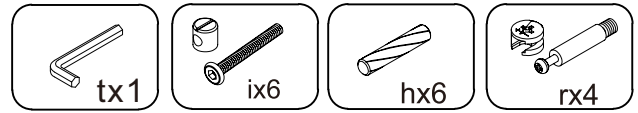
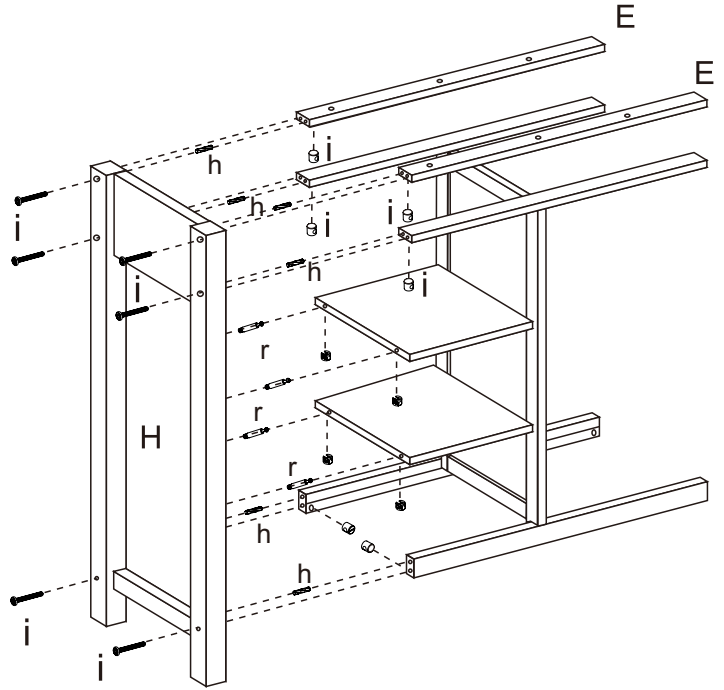
Step 3



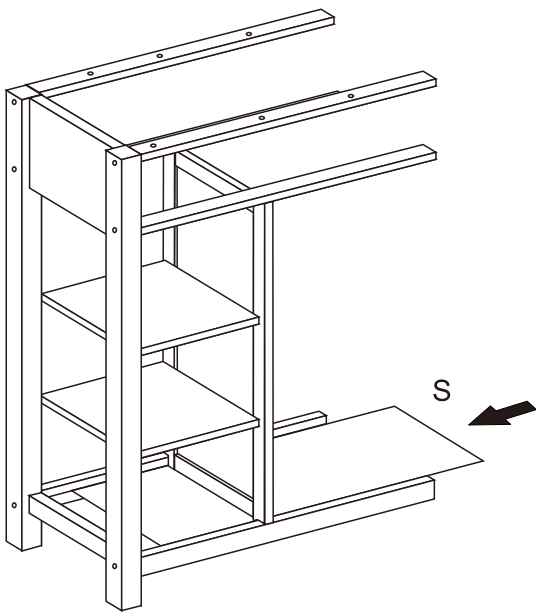
Step 4



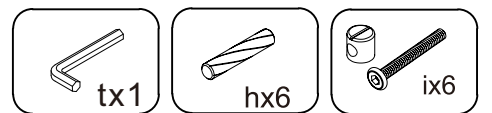
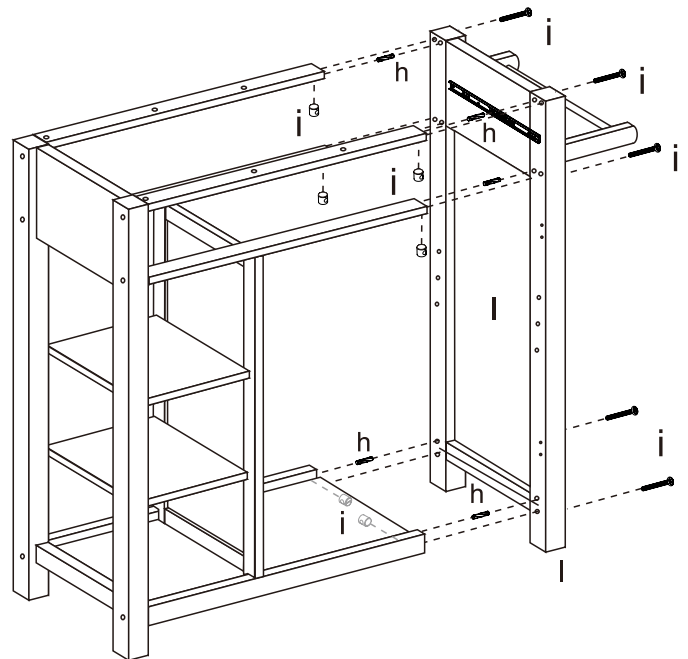
Step 5



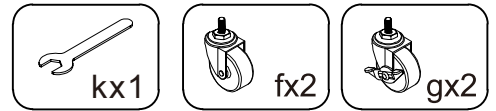
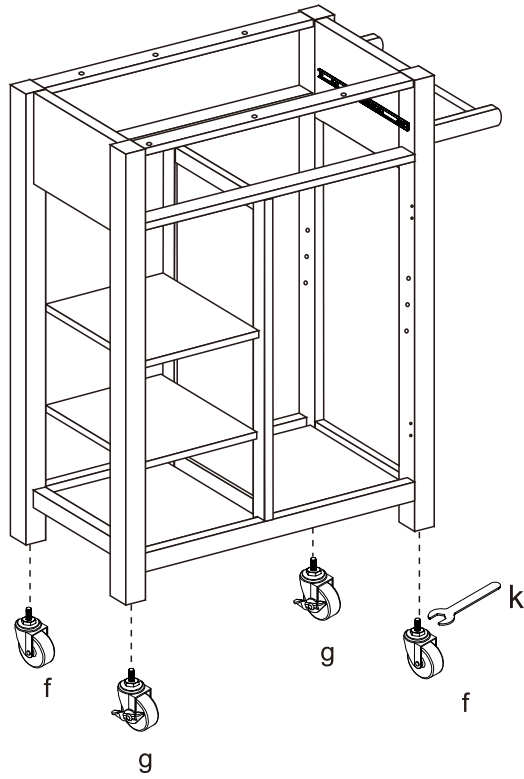
Step 6



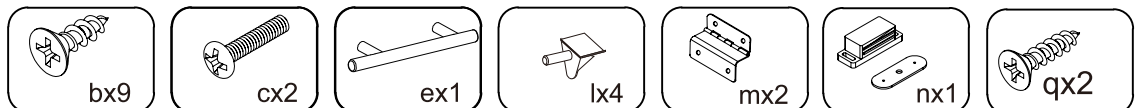
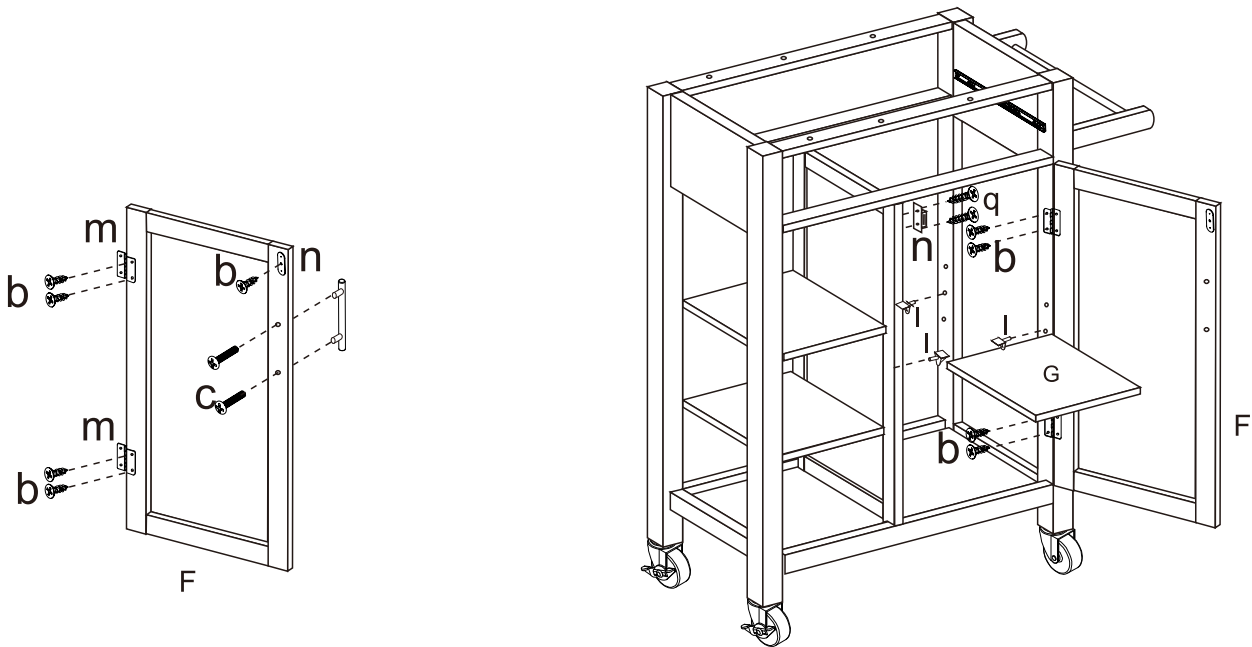
Step 7



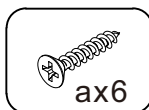
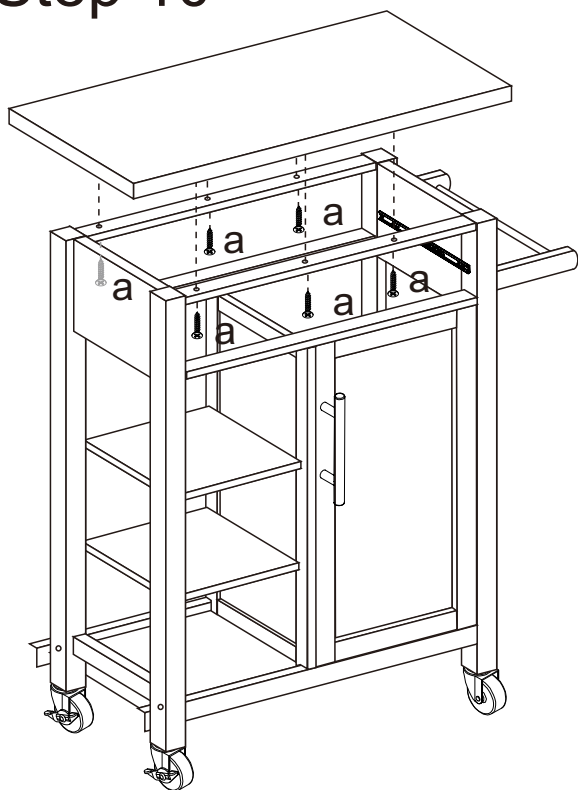
Step 8



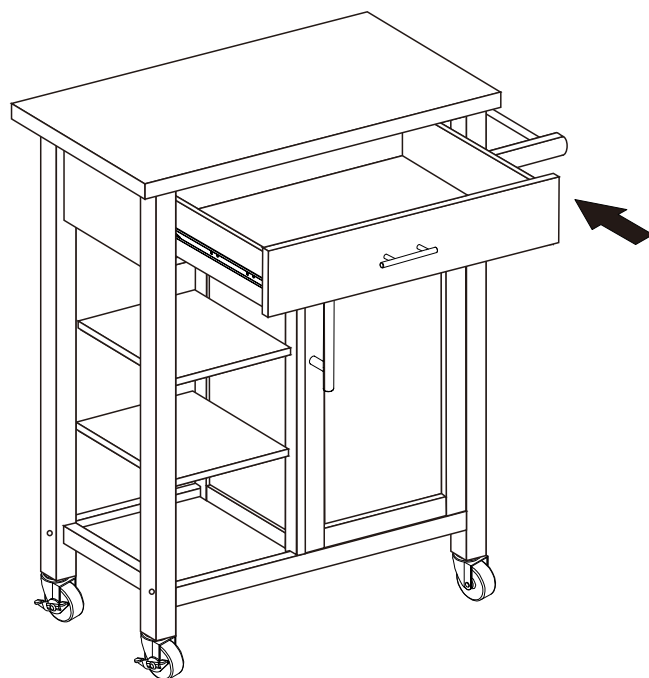
Step 9



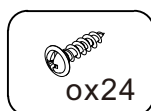
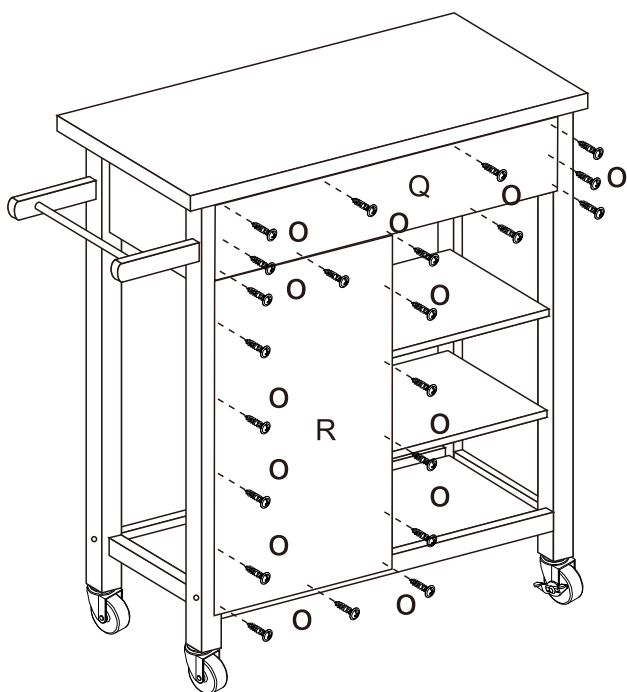
Step 10



Step 11



Step 12



Step 13

