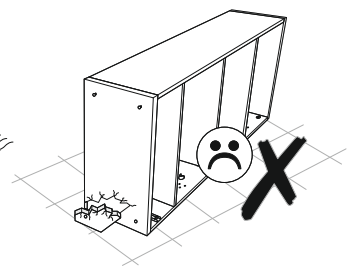
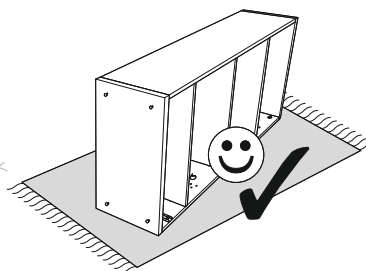
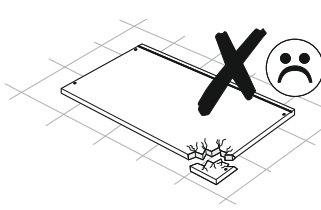
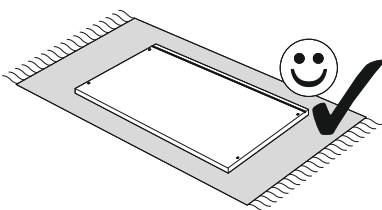
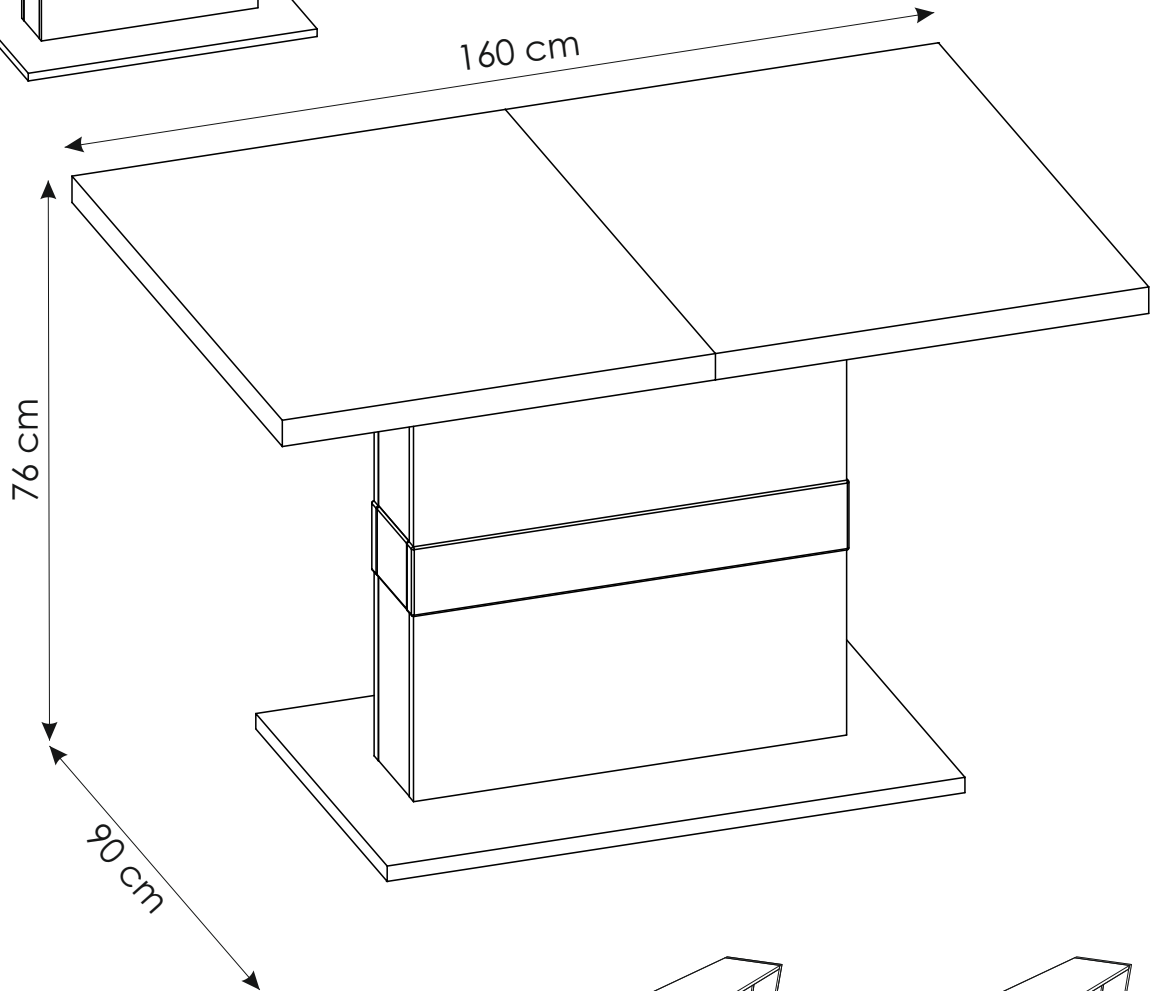
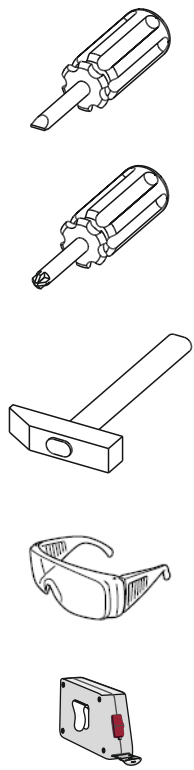
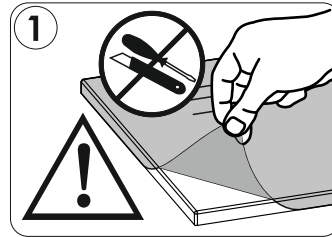
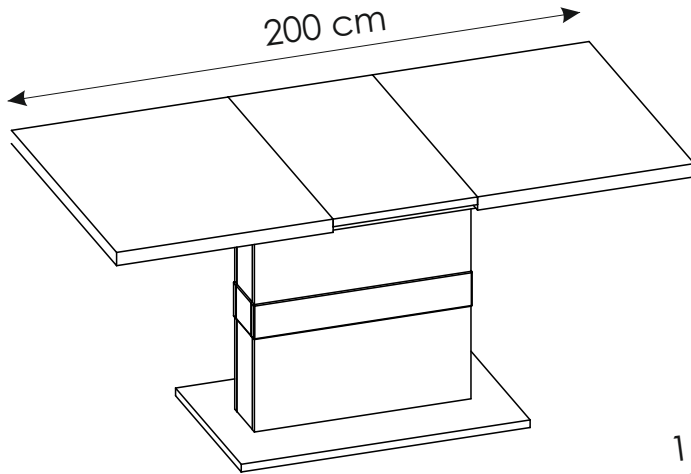
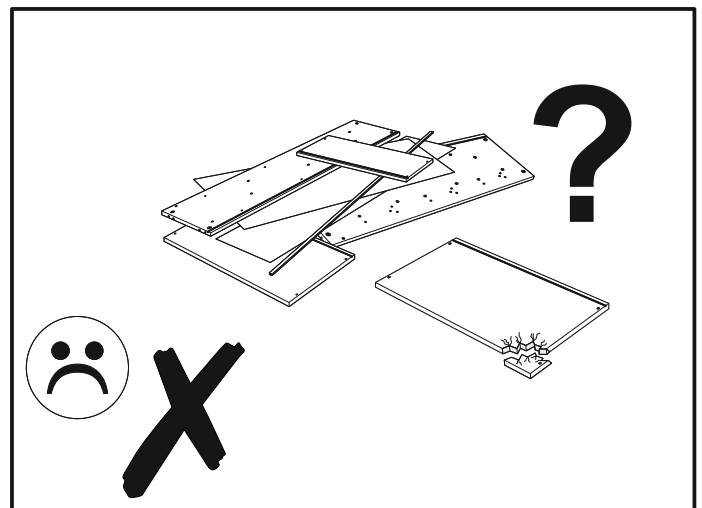
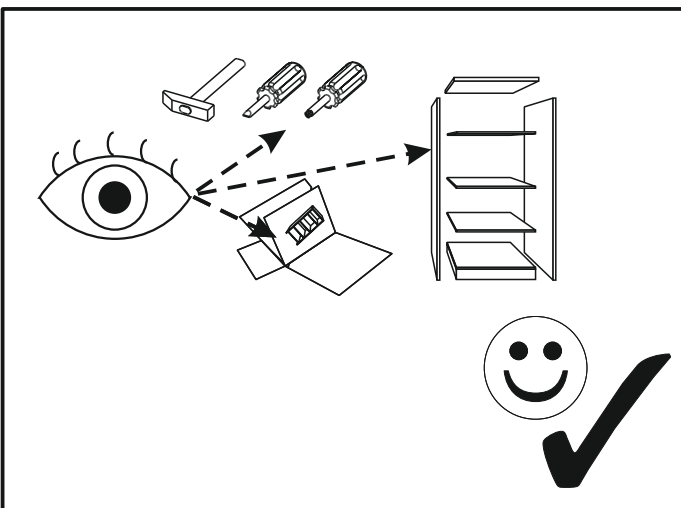
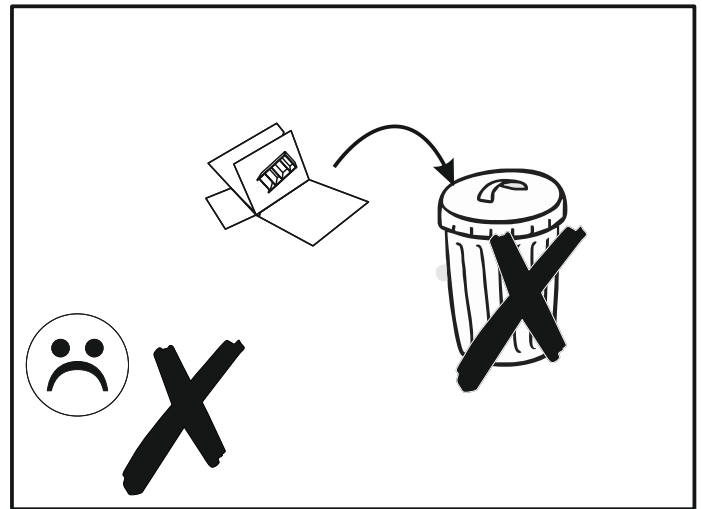
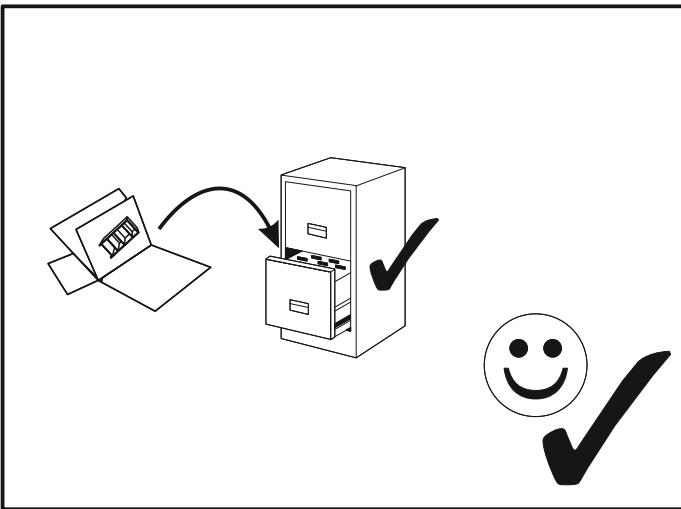
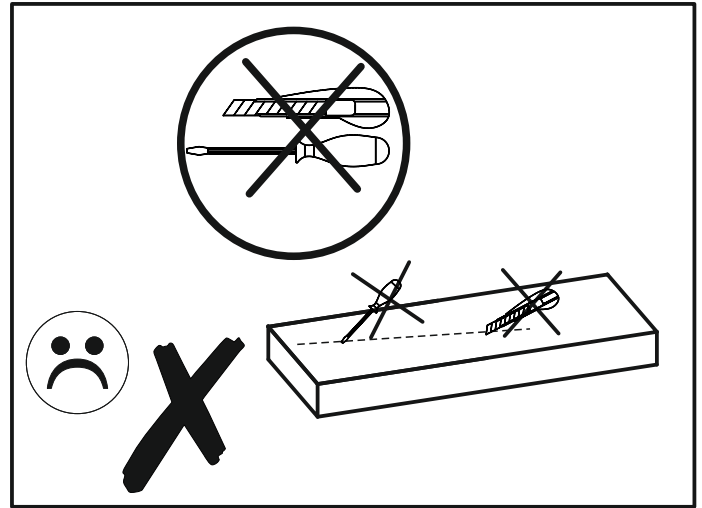
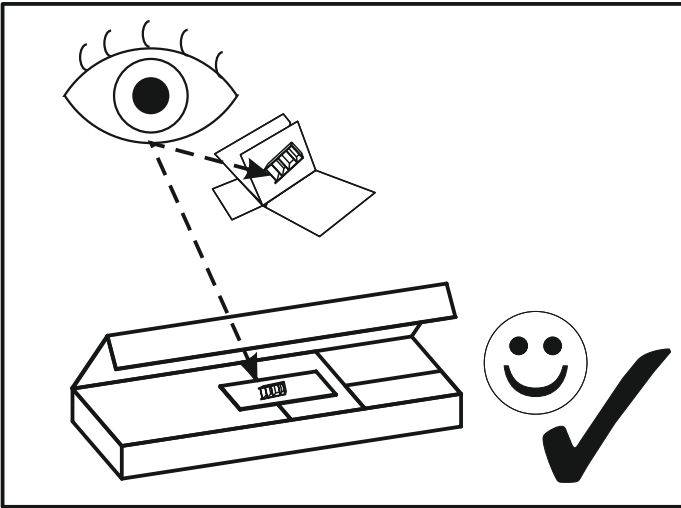


Luca
BESSONI


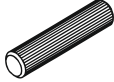

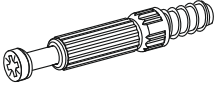
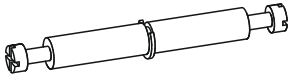
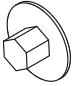





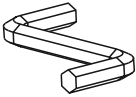

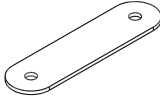
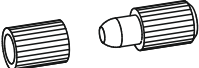
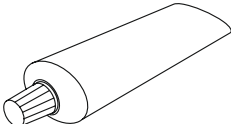
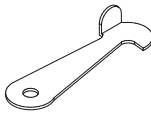
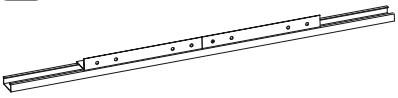
JAMES WOOD
INTERIOR

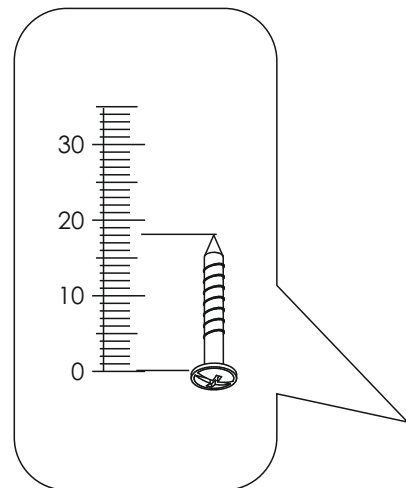
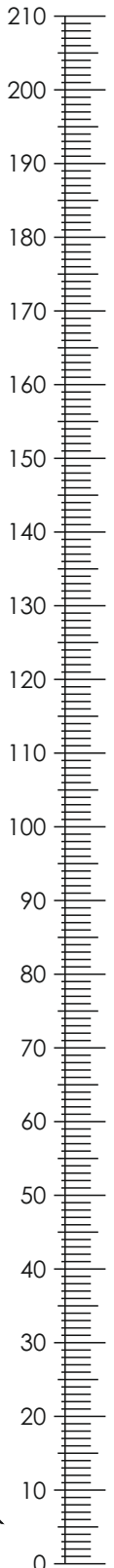
AVENSIS MDT 10 KASHMIR MDT 10 OAKLAND MDT 10



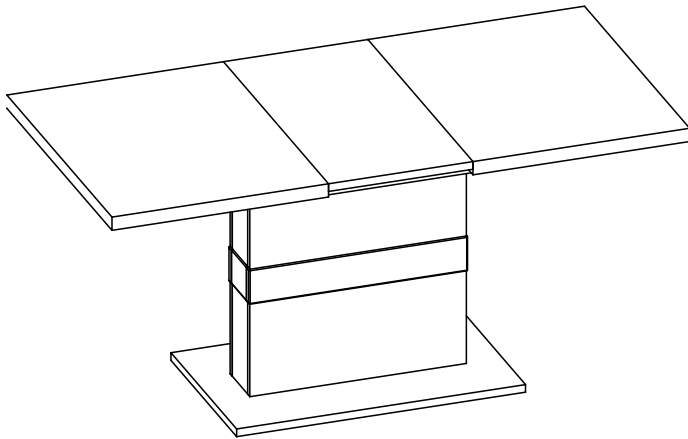


AVENSIS MDT 10 KASHMIR MDT 10 OAKLAND MDT 10

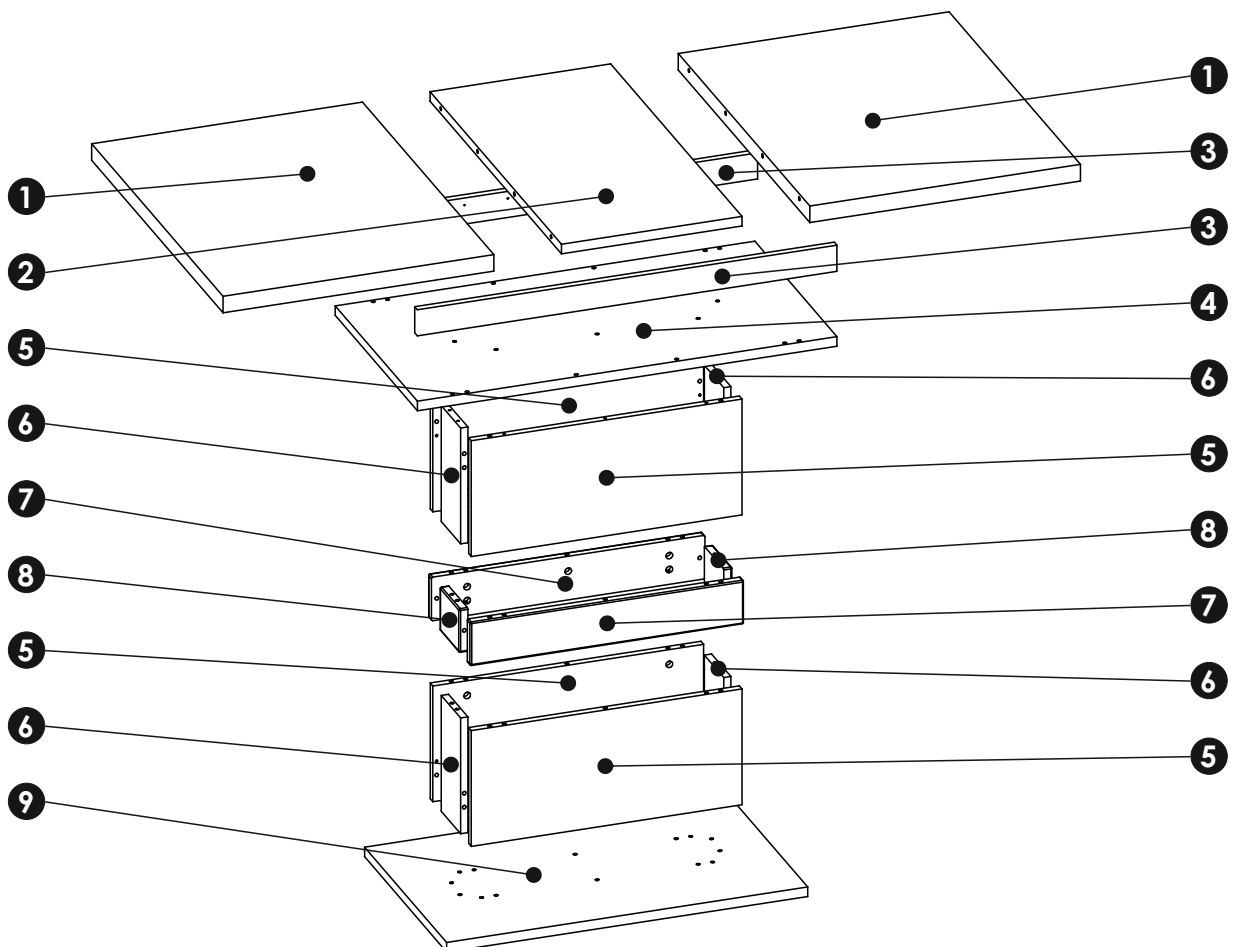
A1 8 x 35 mm x28 	A2 8 x 45 mm x16 	E1 15 x 12 mm x32 
ET Luca BESSONI / JAMES WOOD INTERIOR x1	F1 6 x 34 mm x8 	F3 7 x 58 mm x12 
G0 x18 	G1 7 x 50 mm x18 	G2 7 x 60 mm x10 
I1 3,5 x 16 mm x16 	I2 4 x 16 mm x20 	I3 4 x 20 mm x16 
M x1 	O2A ø20 x10 	Q2 x8 
R8 x8 	S x1 	S19 x4 
T10 x2 		

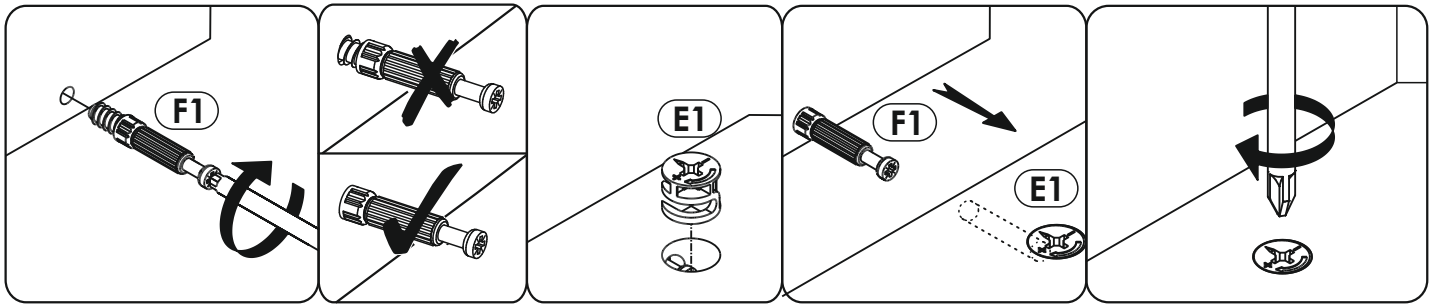


AVENSIS MDT 10 KASHMIR MDT 10 OAKLAND MDT 10

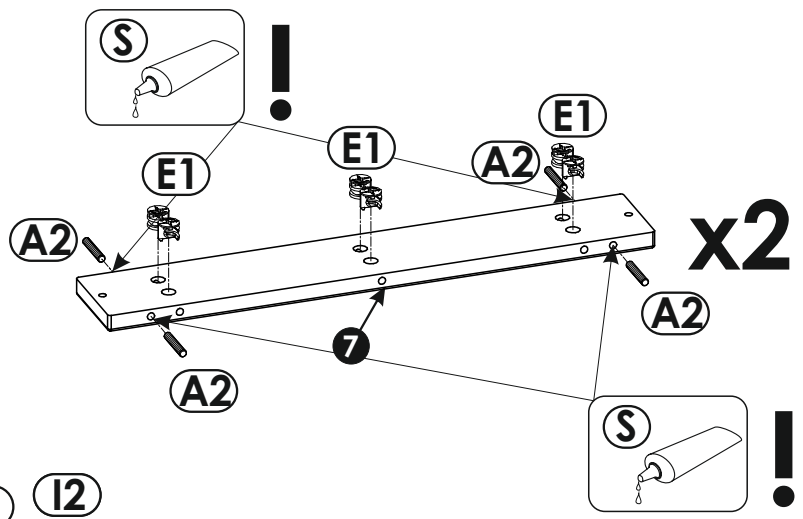
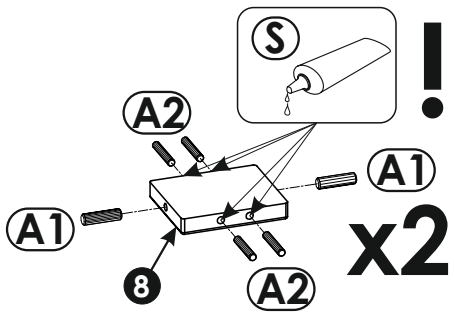
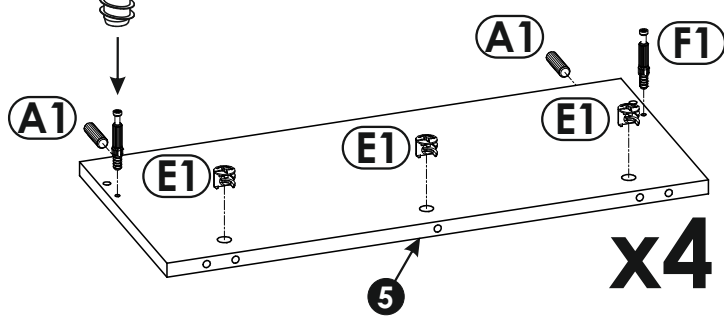
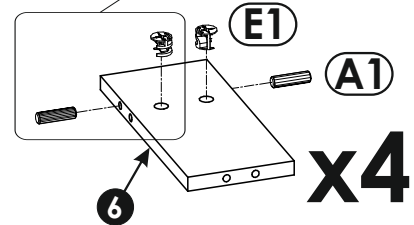
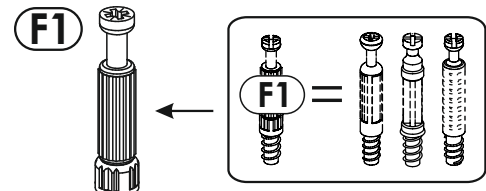
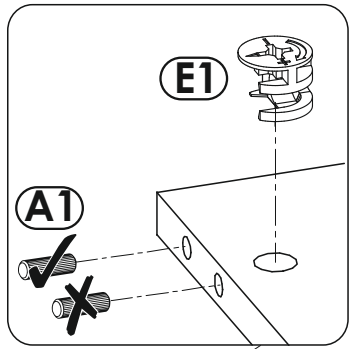


1	900	800	38	x2	1/2
2	900	400	22	x1	1/2
3	1280	60	16	x2	2/2
4	1280	500	22	x1	2/2
5	700	266	16	x2	2/2
6	148	266	16	x2	2/2
7	700	100	19	x2	1/2
8	148	100	19	x2	1/2
9	900	500	22	x1	2/2

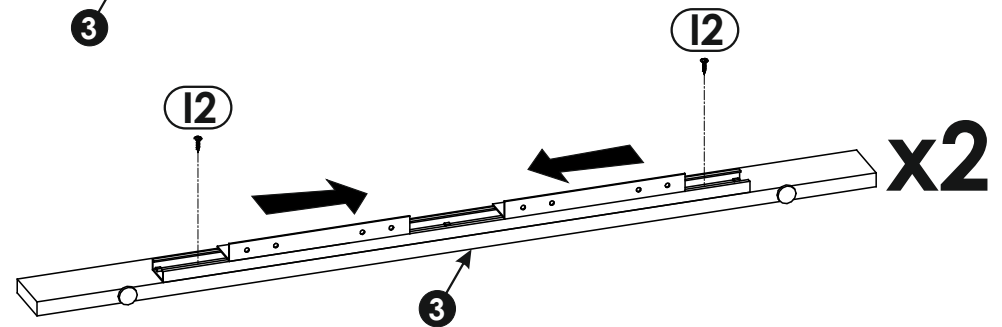
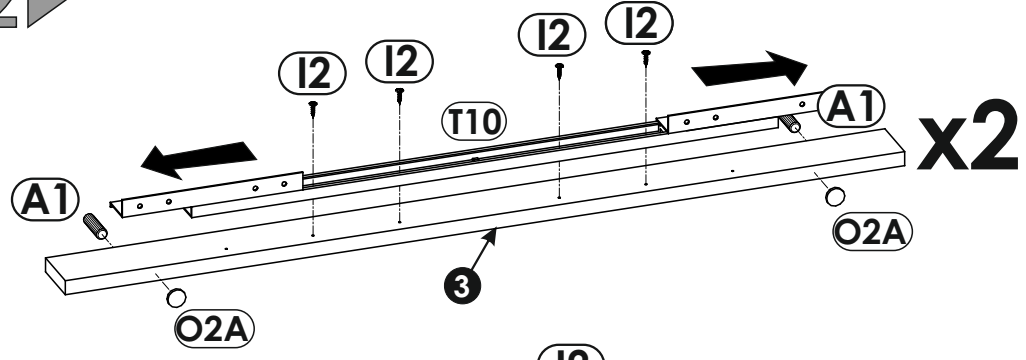




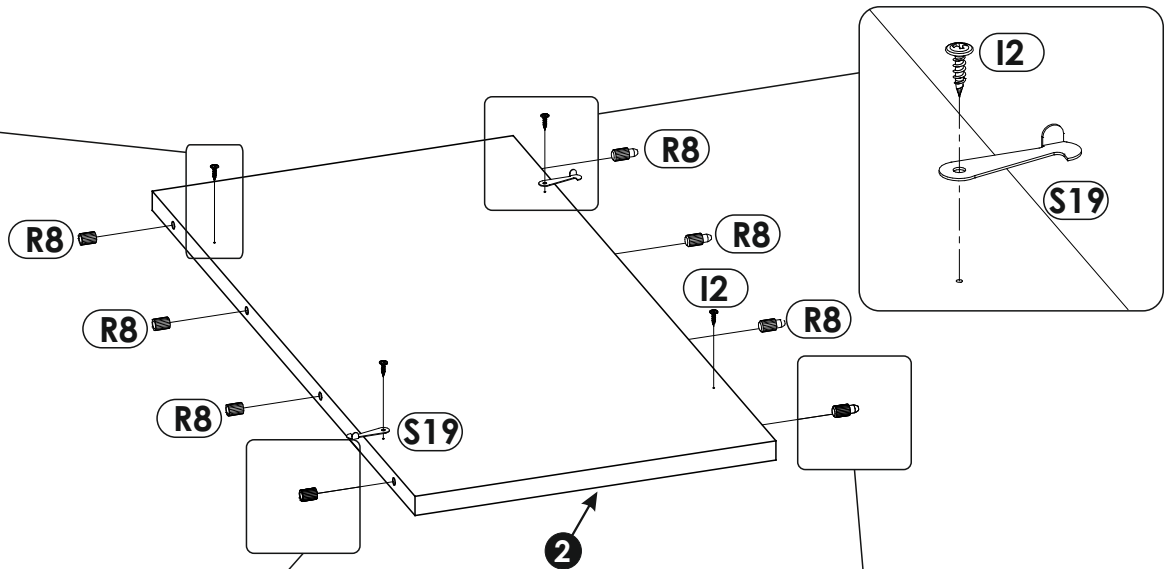
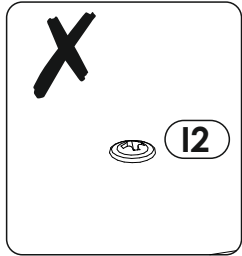
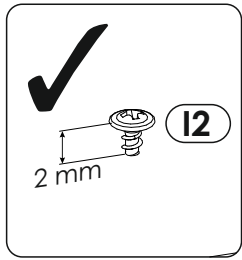
1 ▶



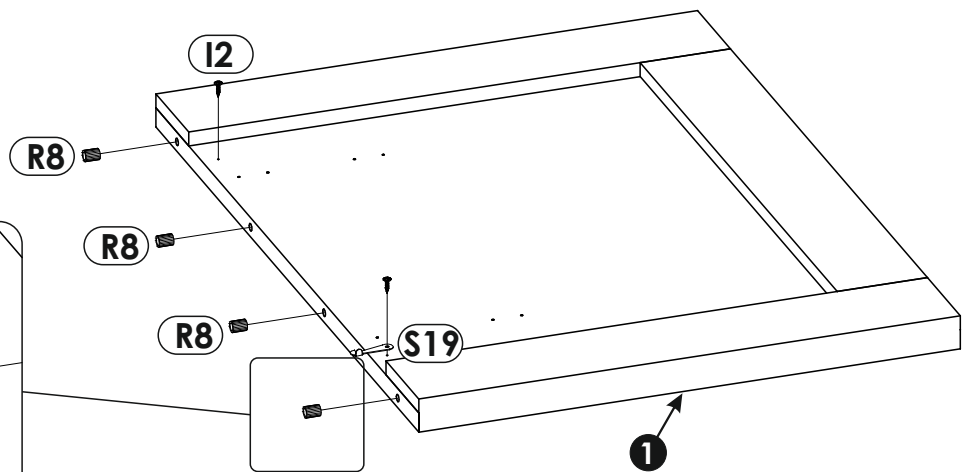
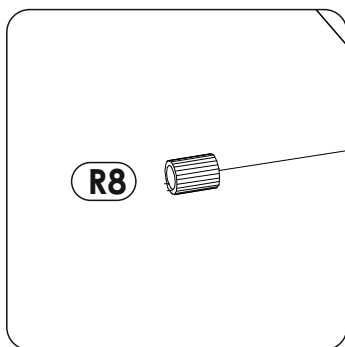
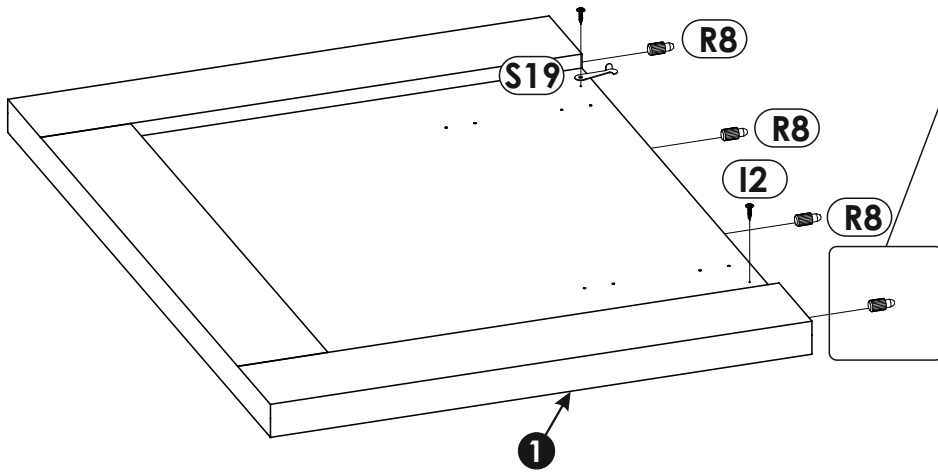
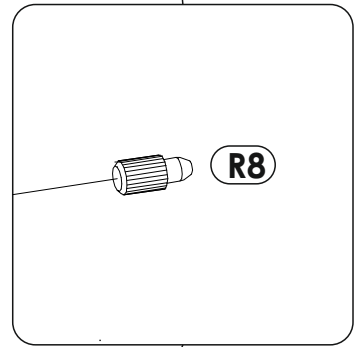
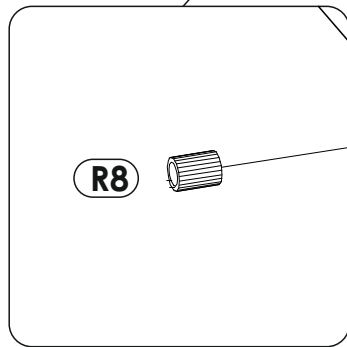
2 ▶



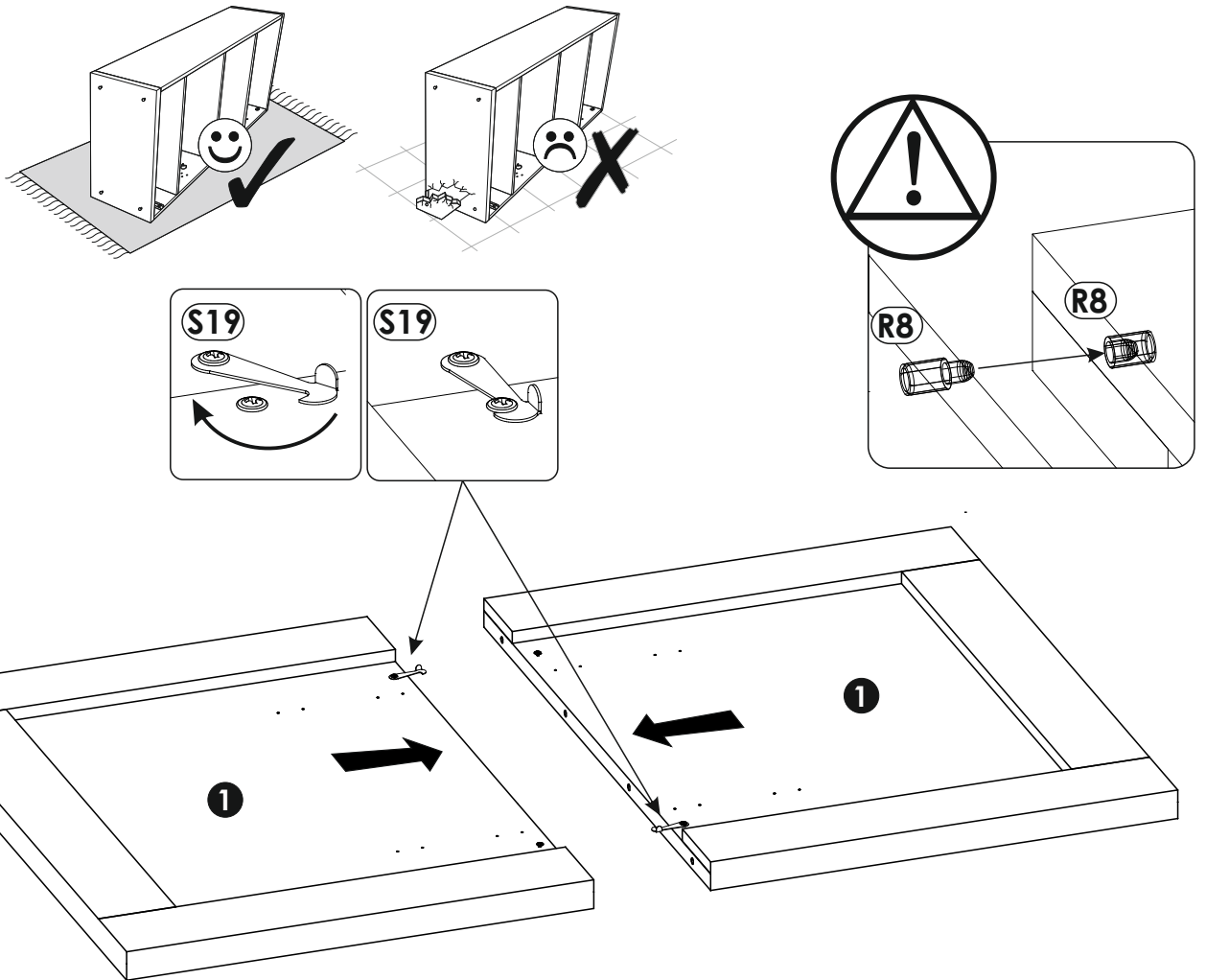
3 ▶



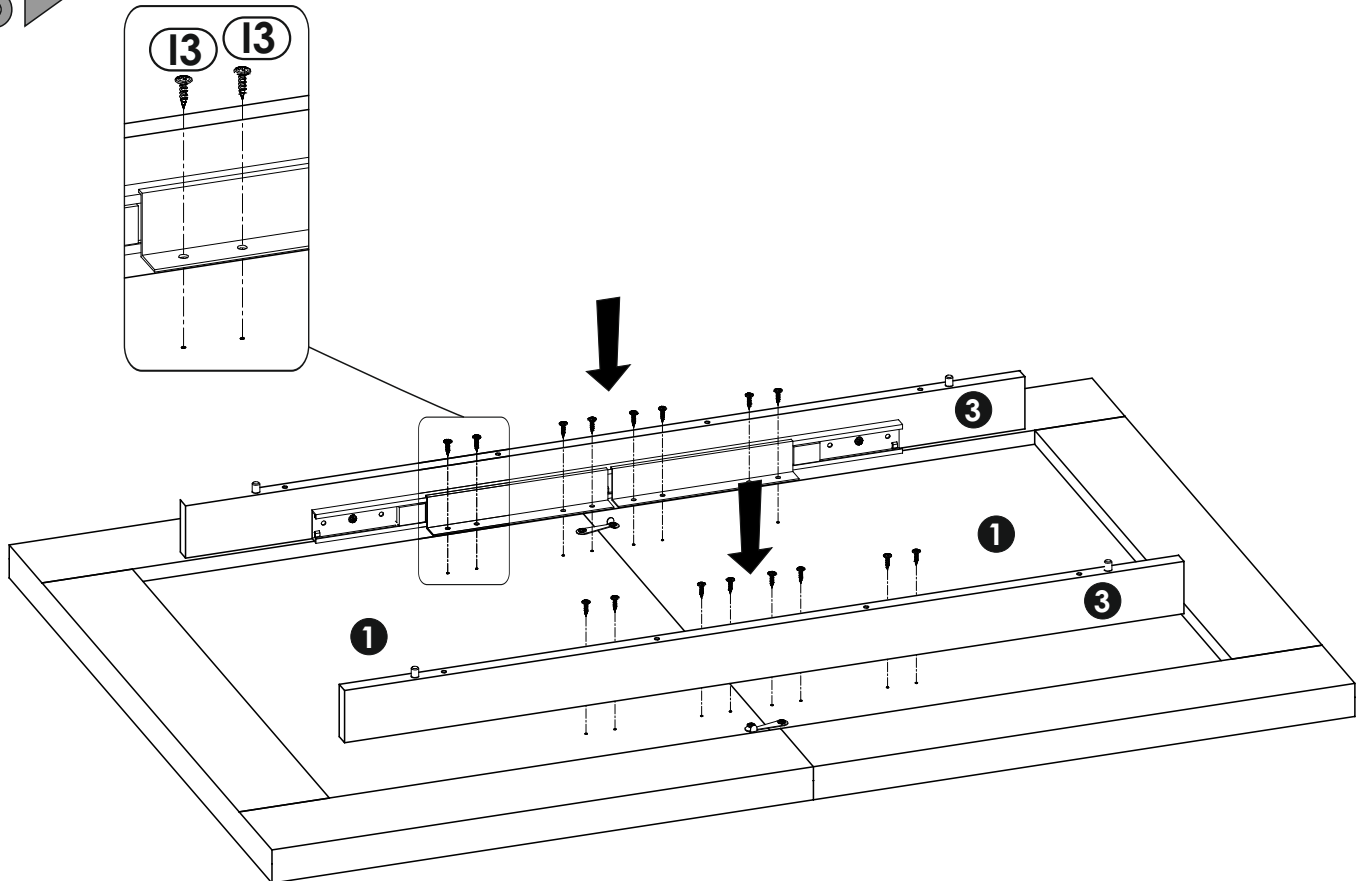
4 ▶



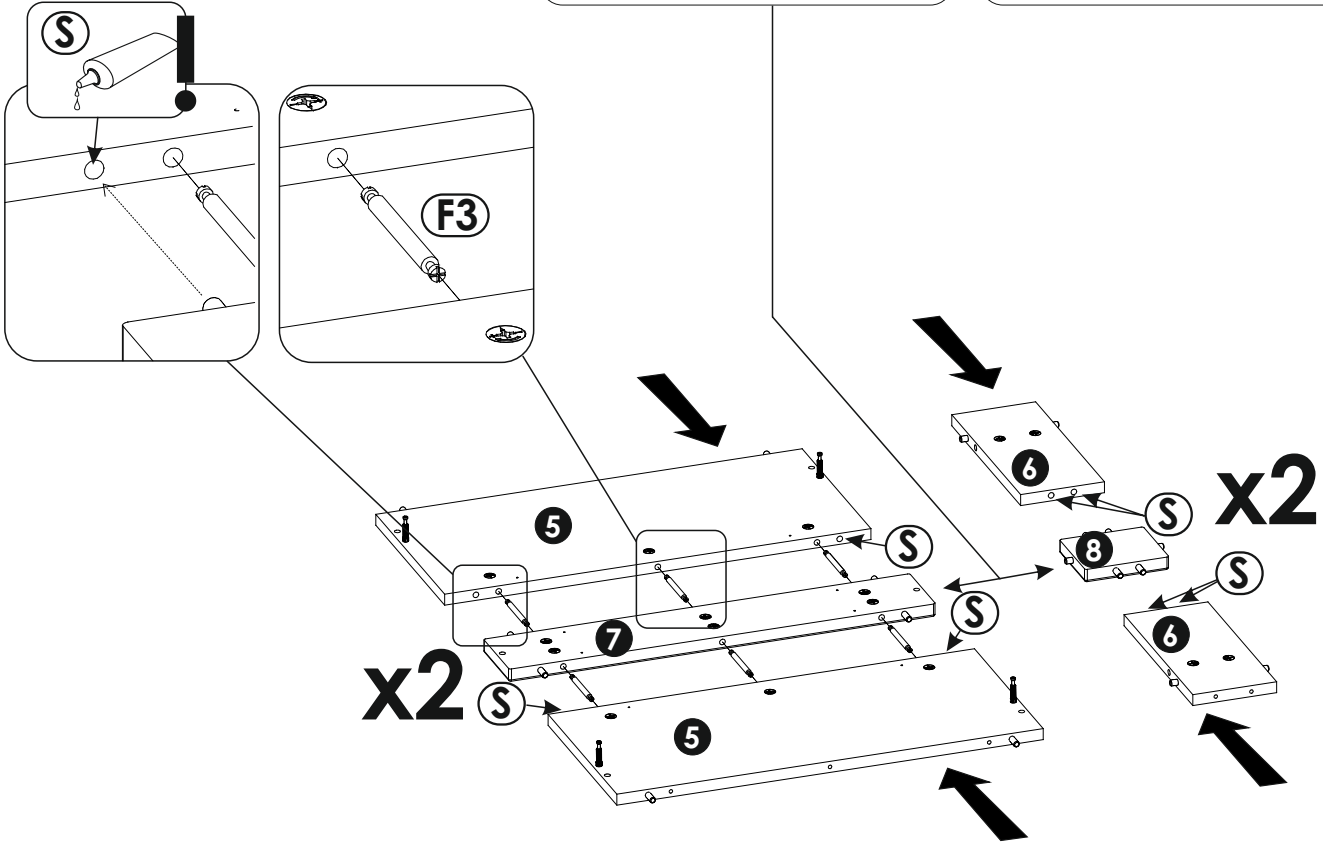
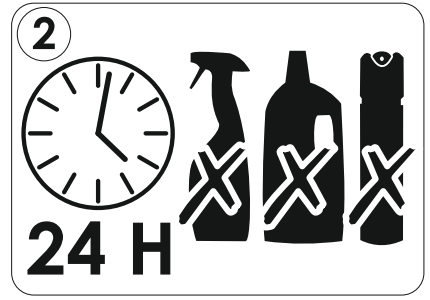
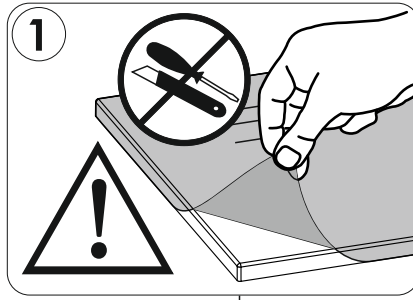
5 ▶



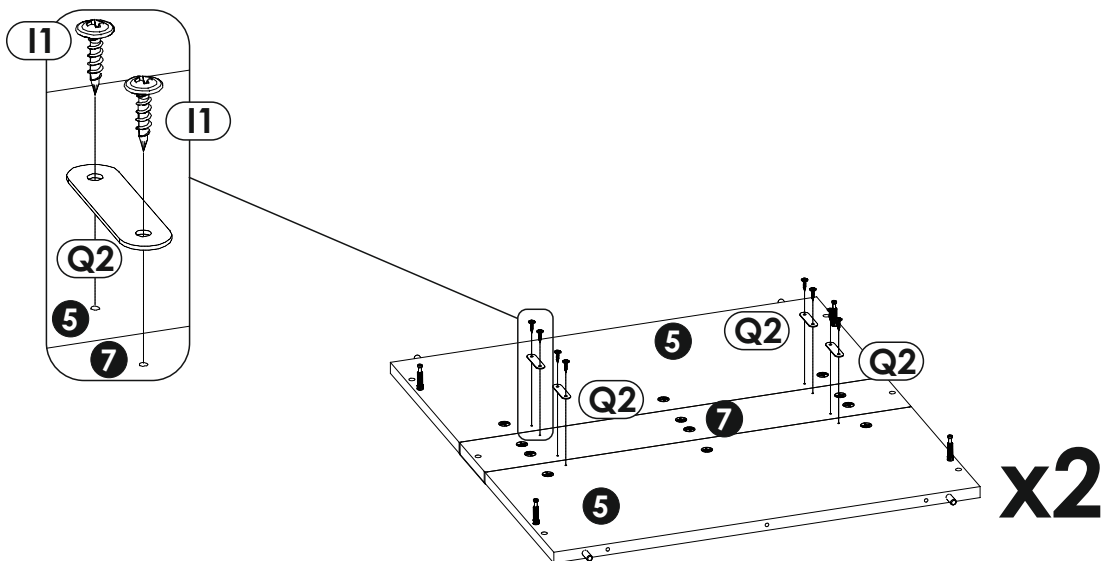
6 ▶



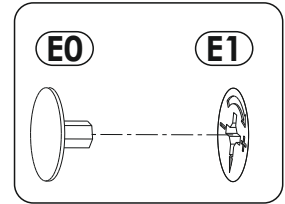
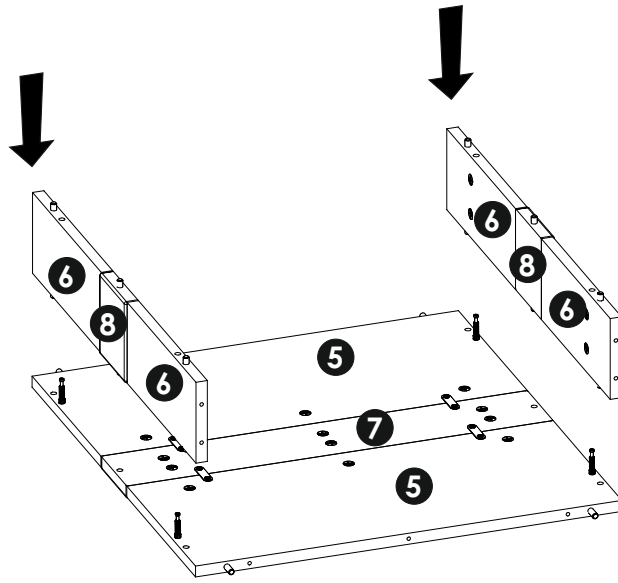
7 ▶



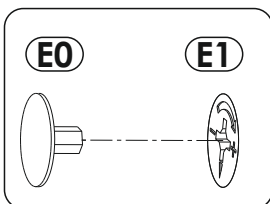
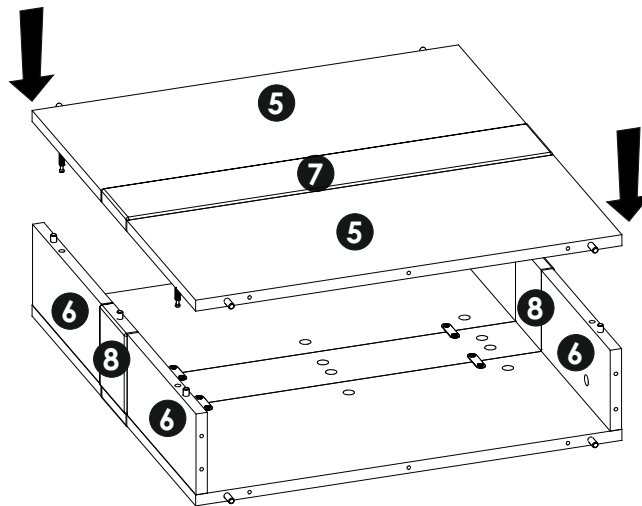
8 ▶

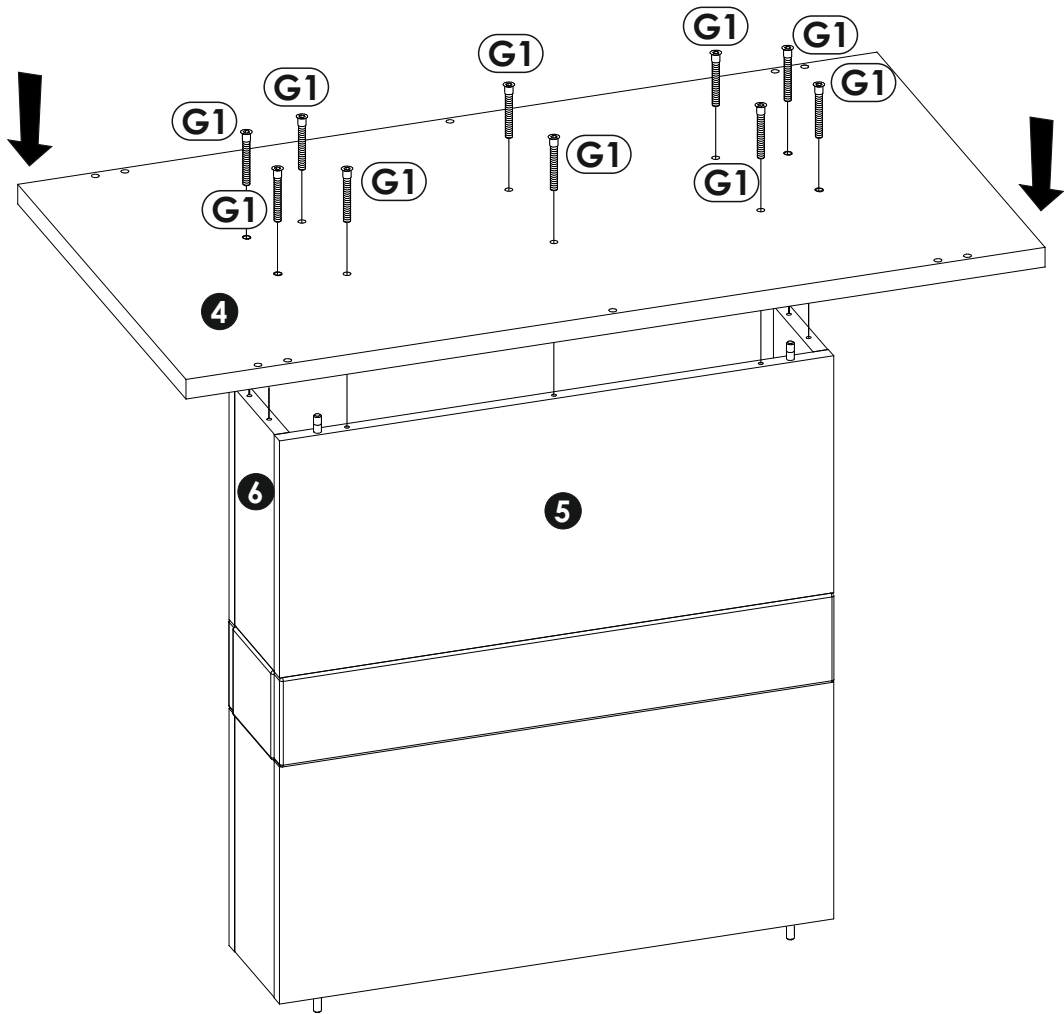
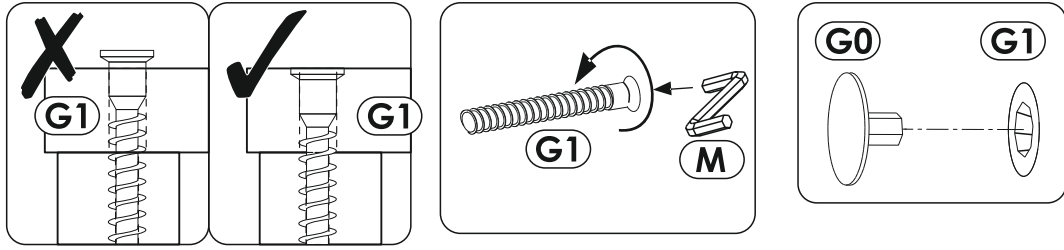


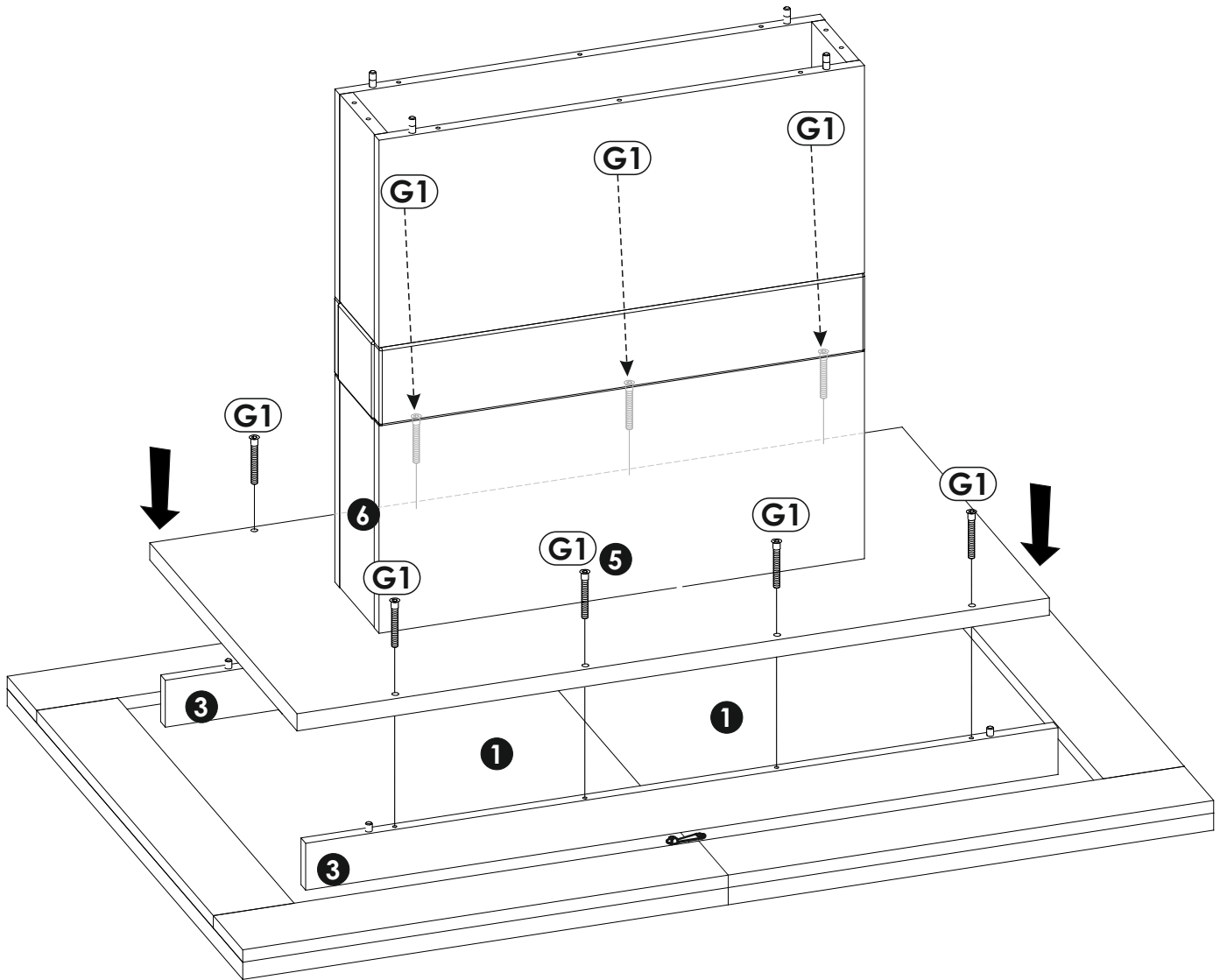
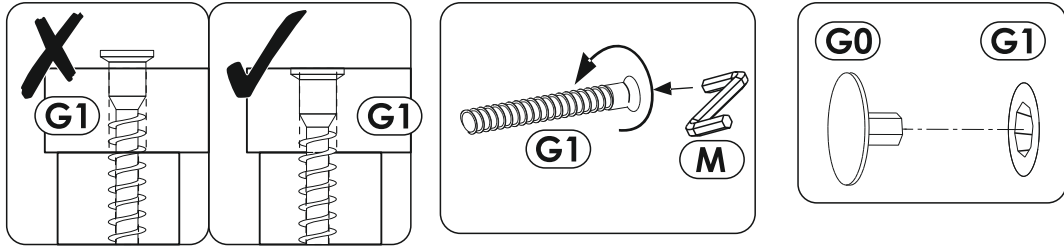
9 ▶



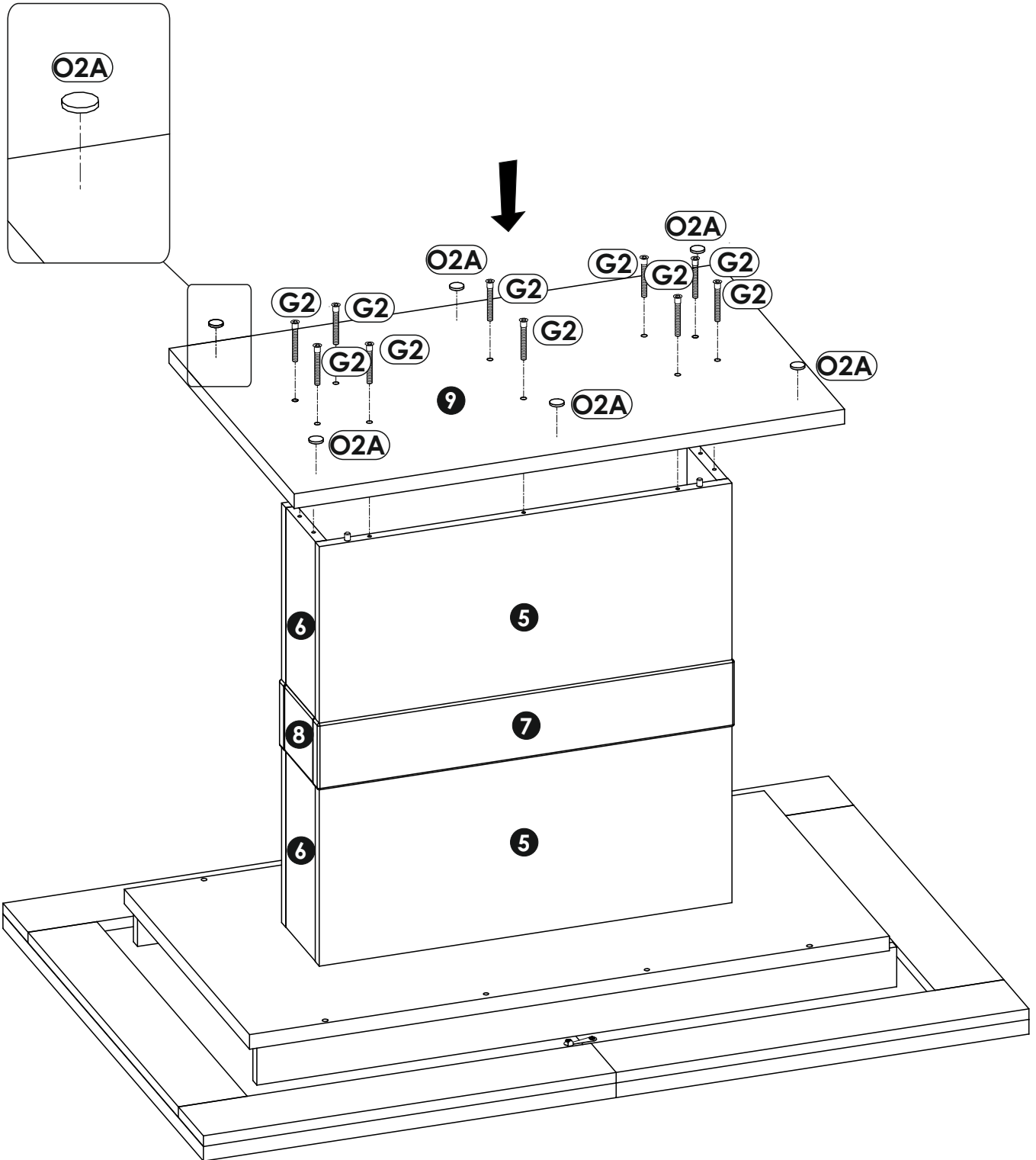
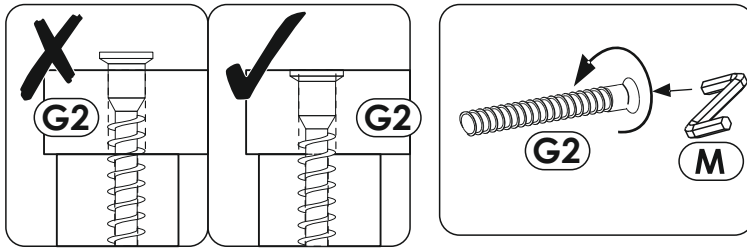
10 ▶

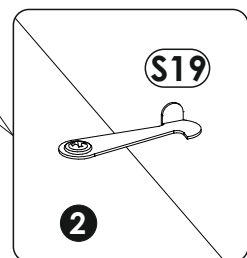
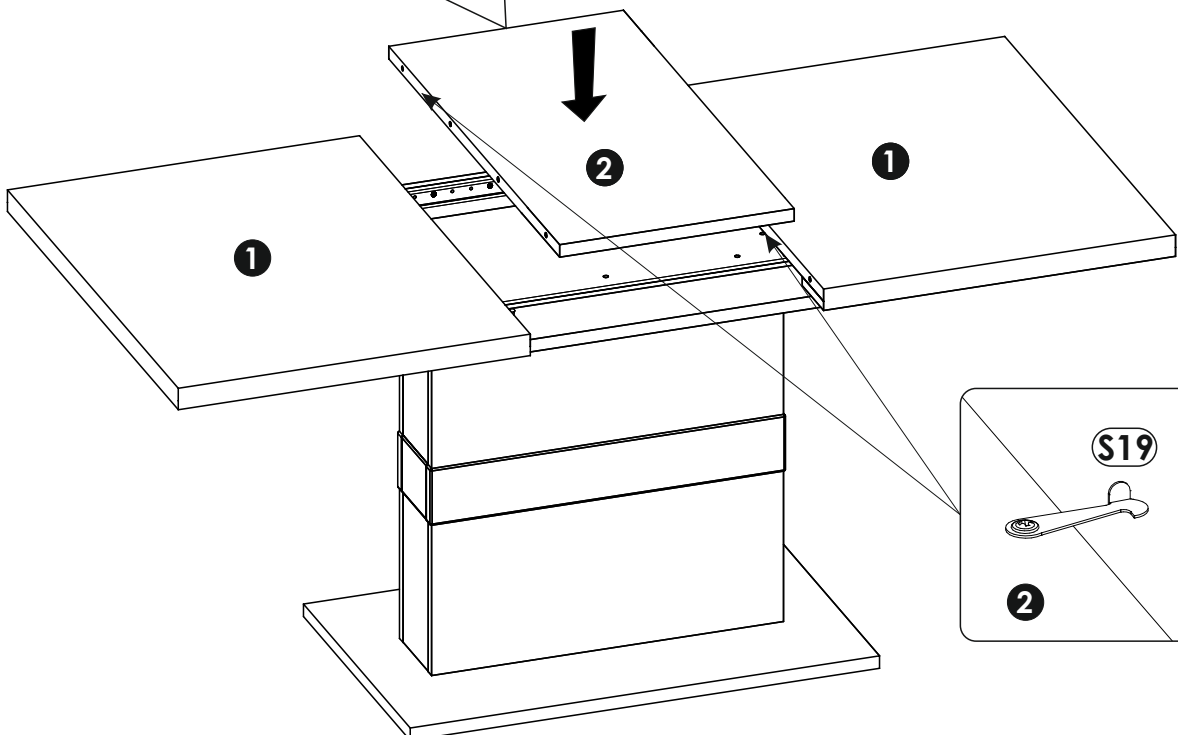
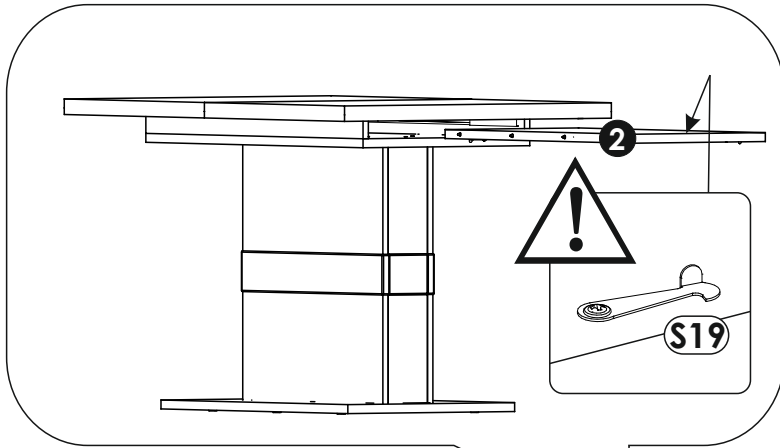
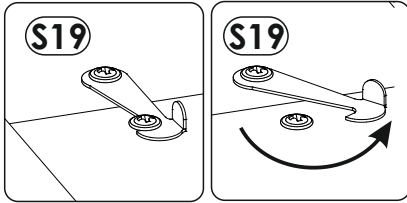
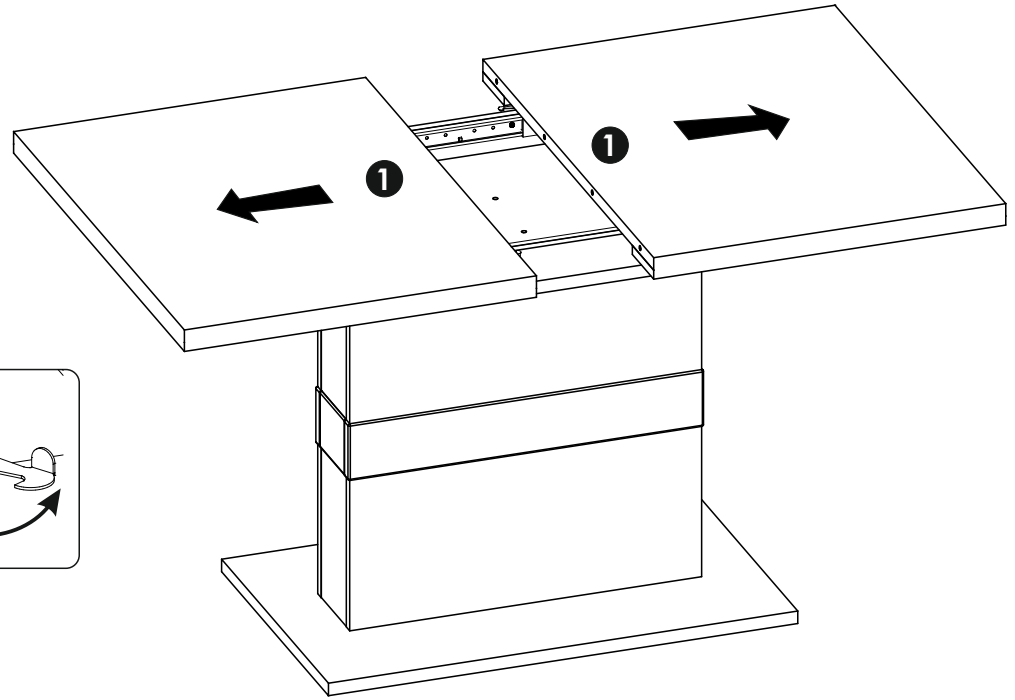




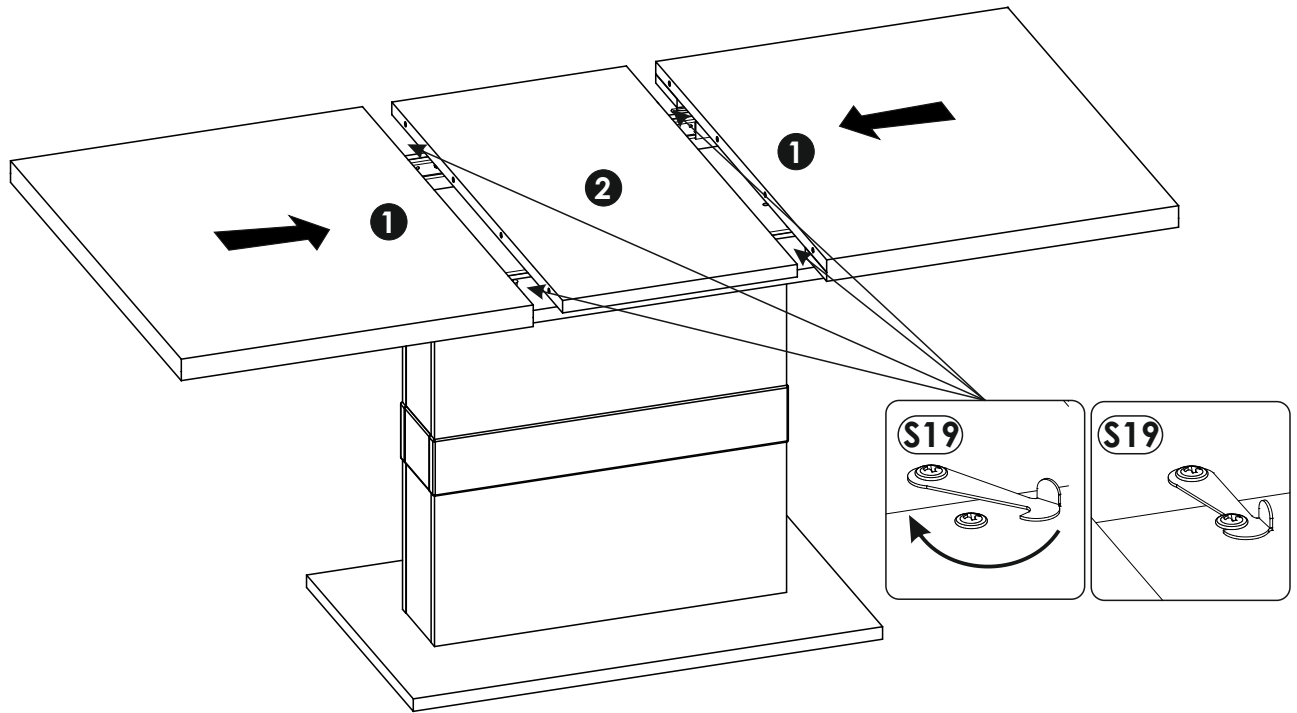


15▶





17▶



18▶

