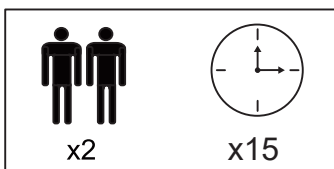
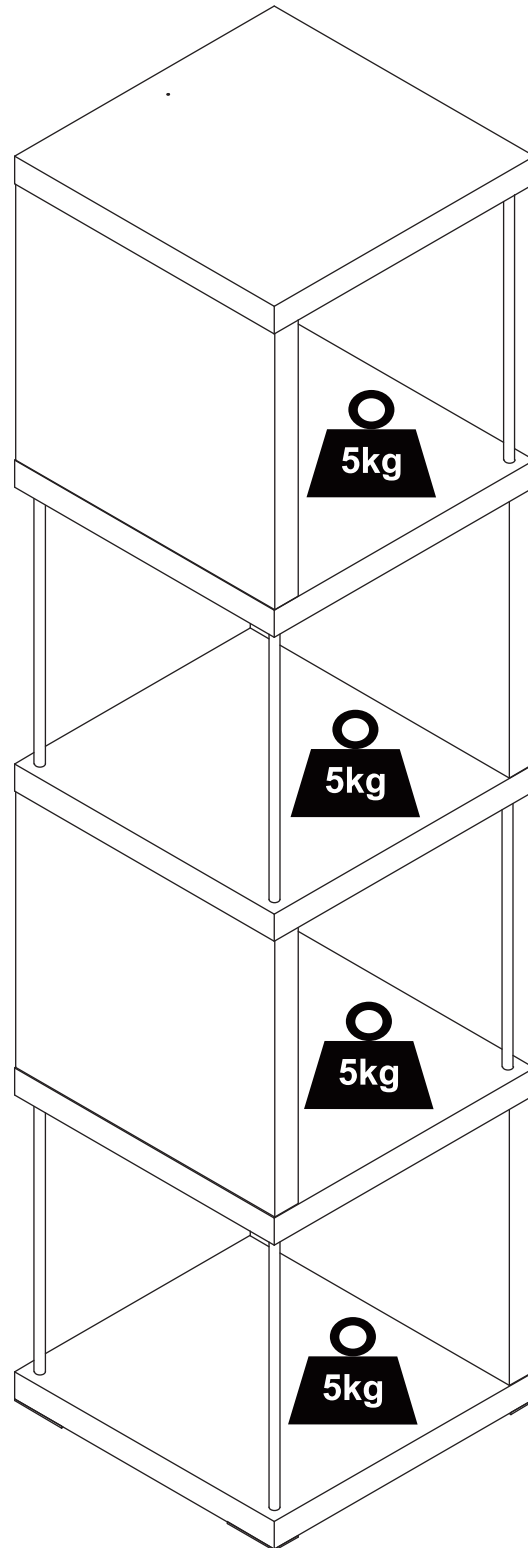
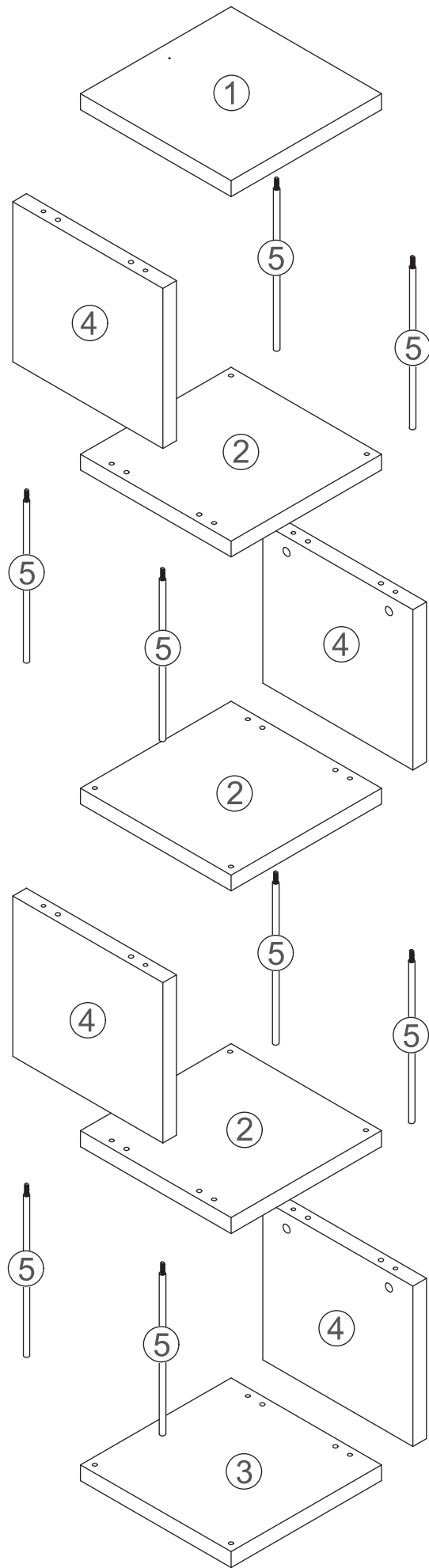
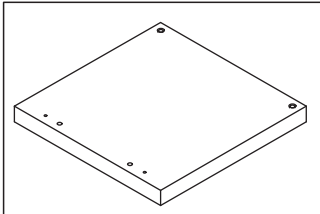


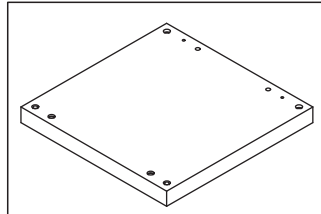
# 79680370/04/05/06 PINNAR



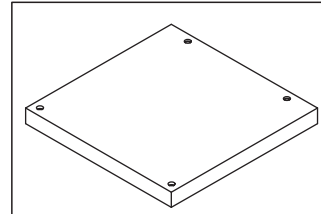




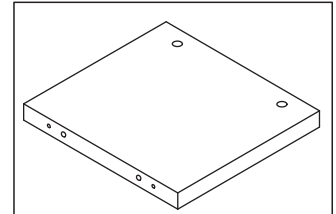
1 x1



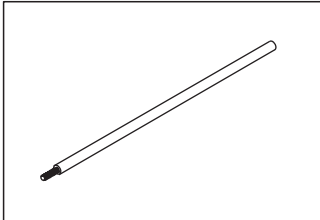
2 x3



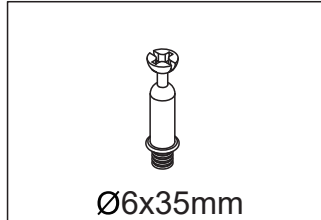
3 x1



4 x4



5 x8



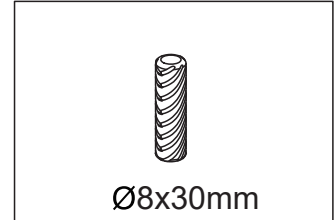
Ø6x35mm

A x8



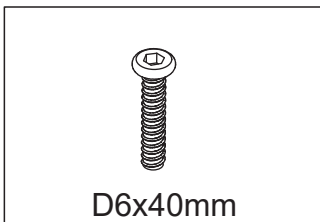
Ø15xD9mm

B x8



Ø8x30mm

C x16



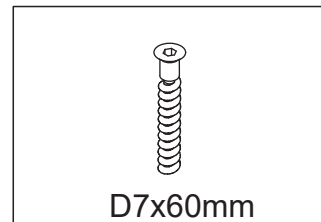
D6x40mm

D x8



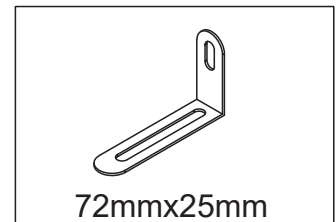
D4x14mm

E x1



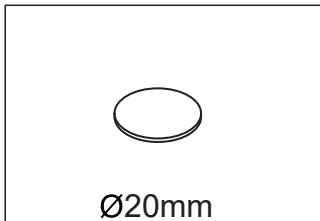
D7x60mm

F x8



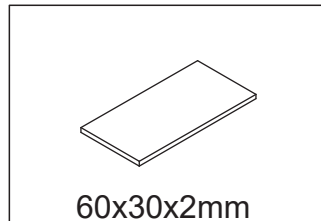
72mmx25mm

G x1



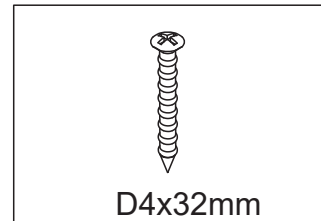
Ø20mm

H x8



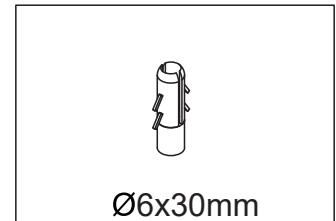
60x30x2mm

I x4



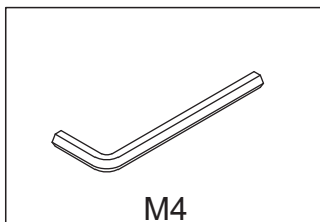
D4x32mm

J x1



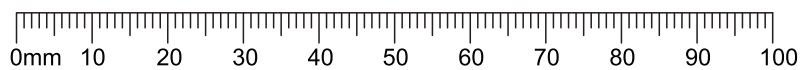
Ø6x30mm

K x1

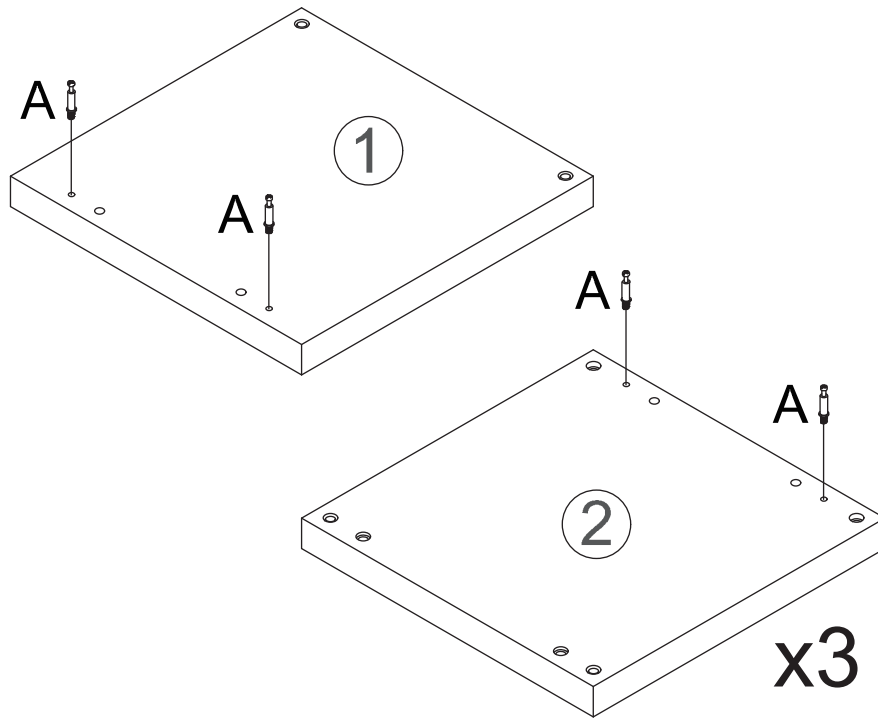


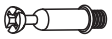
M4

U x1

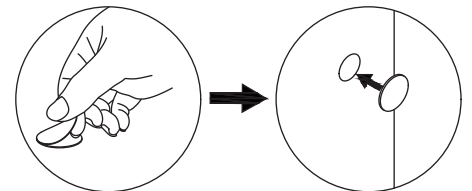
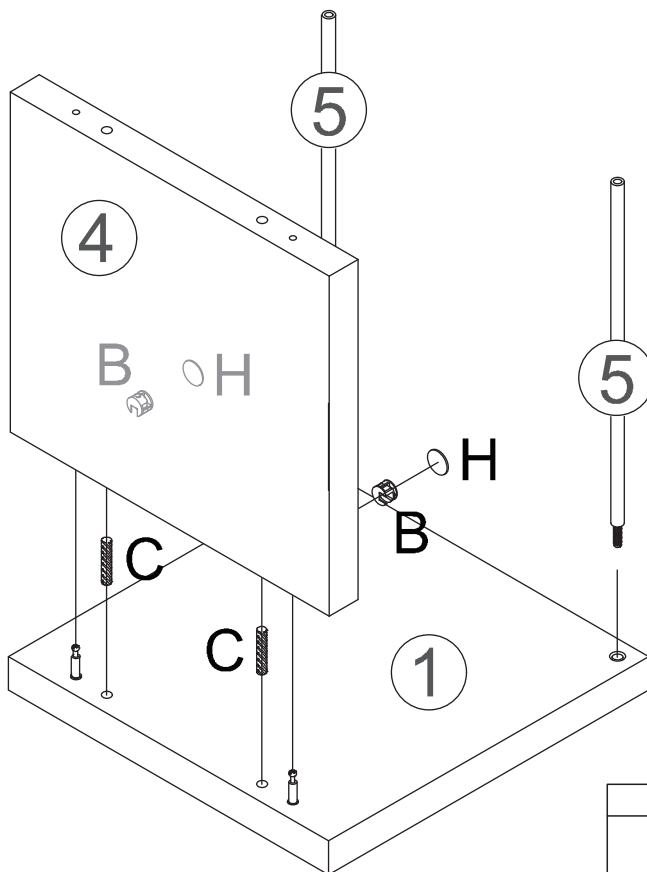



01





A	x8
	
$\text{Ø}6 \times 35 \text{mm}$	

02

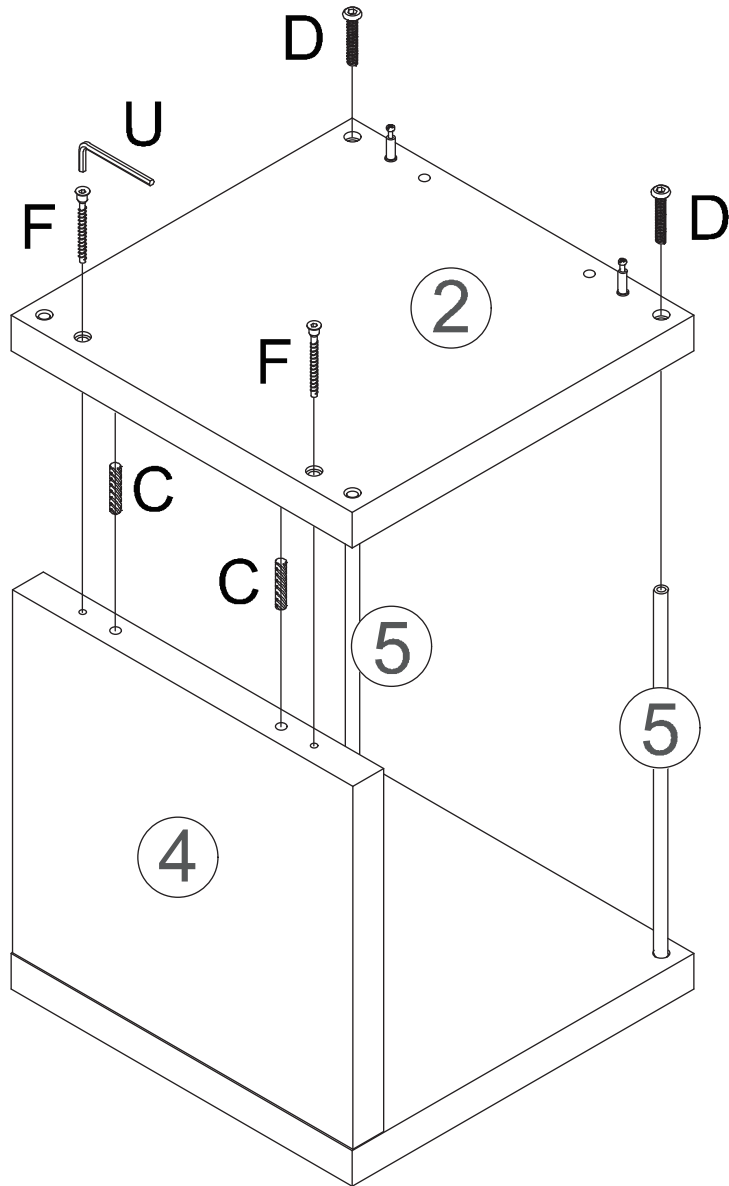



B	x2
	
$\text{Ø}15 \times \text{D}9 \text{mm}$	


C	x2
	
$\text{Ø}8 \times 30 \text{mm}$	


H	x2
	
$\text{Ø}20 \text{mm}$	


03



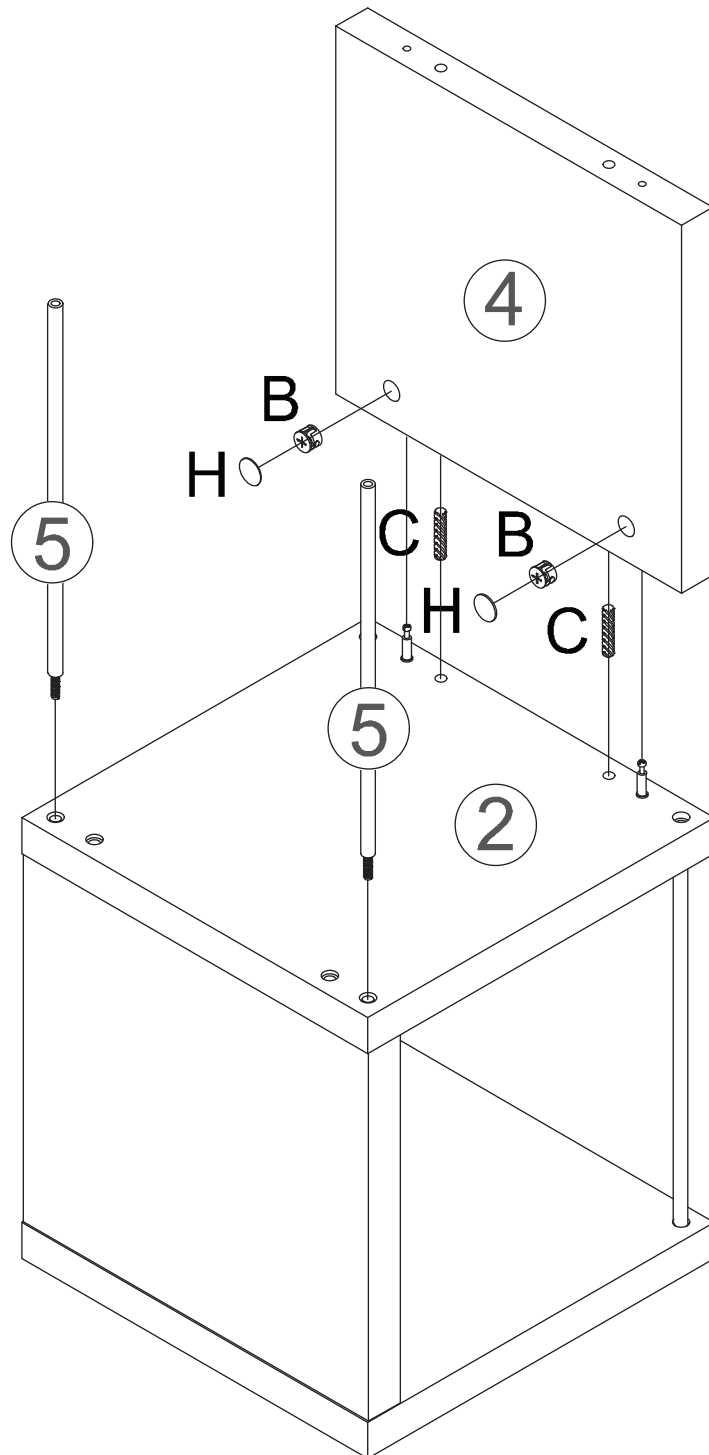
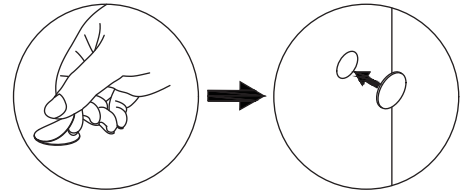
C	x2
	
Ø6x30mm	


D	x2
	
D6x40mm	


F	x2
	
D7x60mm	


U	x1
	
M4	

04

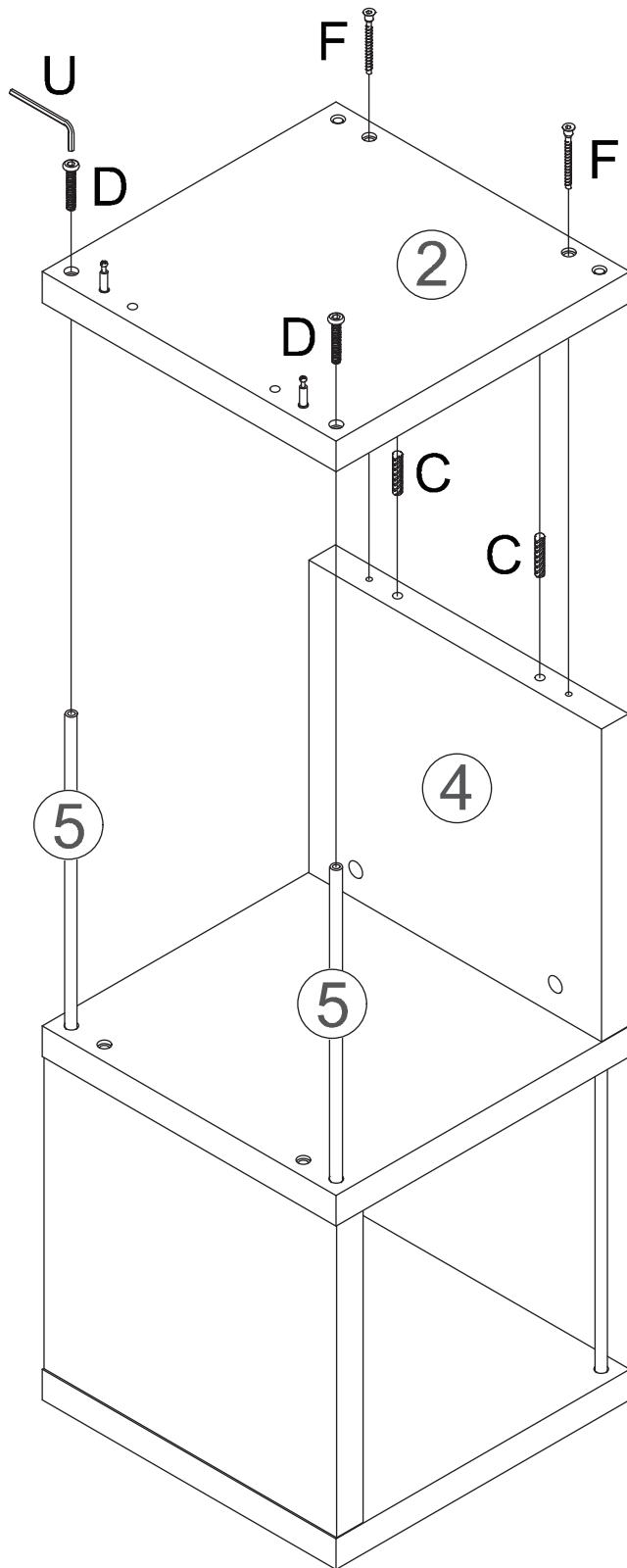



B	x2
	
Ø15xD9mm	


C	x2
	
Ø8x30mm	


H	x2
	
Ø20mm	


05



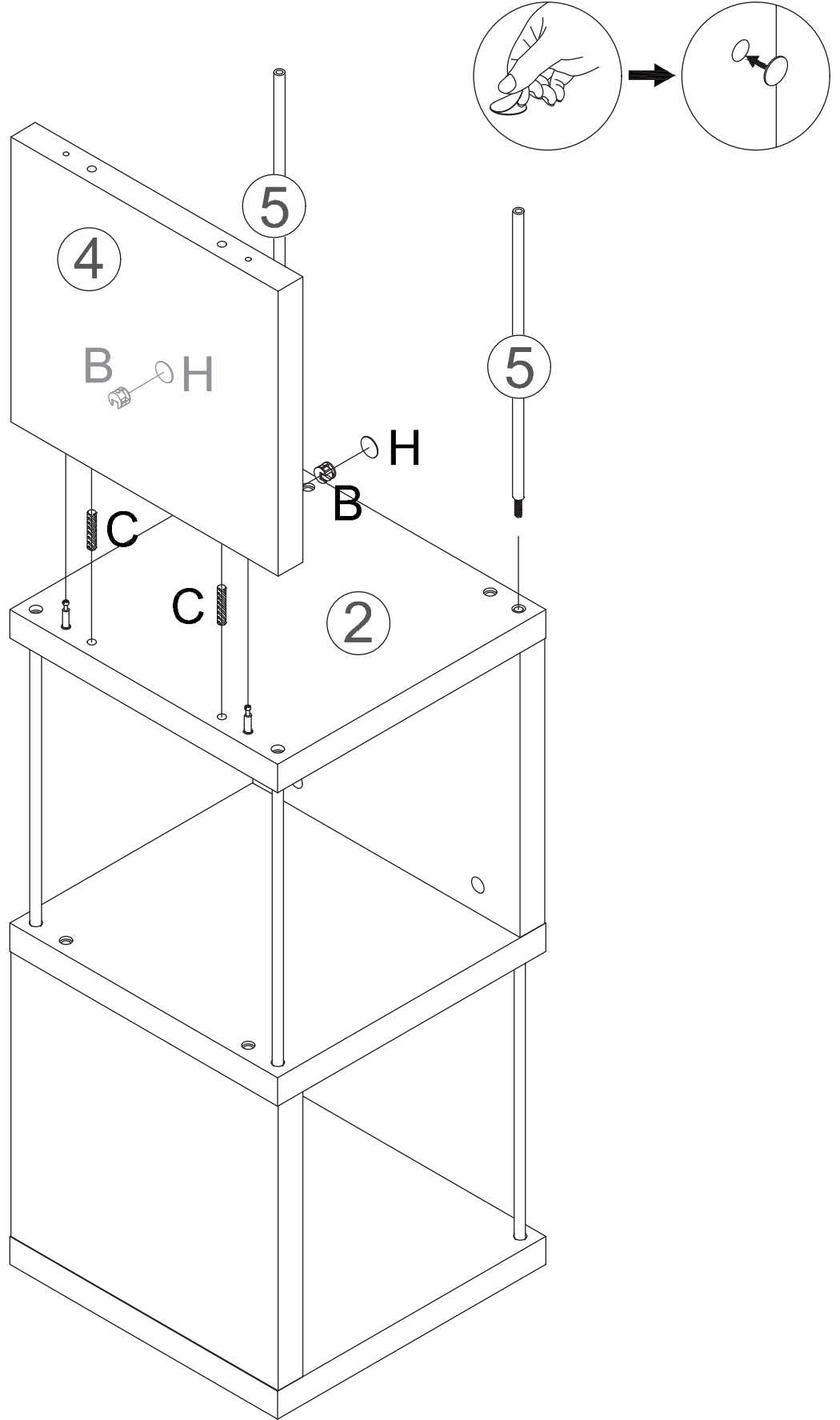
C	x2
	
Ø6x30mm	


D	x2
	
D6x40mm	


F	x2
	
D7x60mm	


U	x1
	
M4	

06

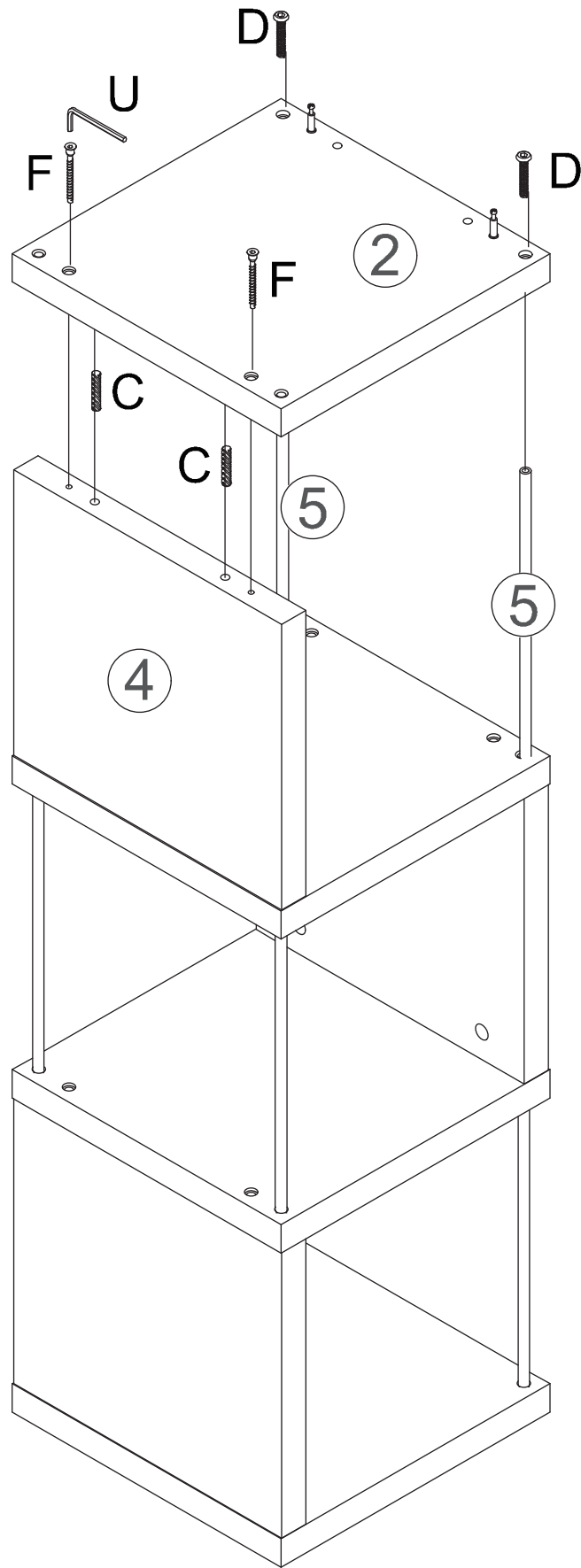



B	x2
	
Ø15xD9mm	


C	x2
	
Ø8x30mm	


H	x2
	
Ø20mm	


07



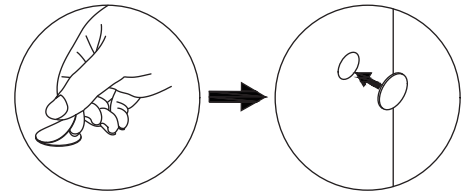
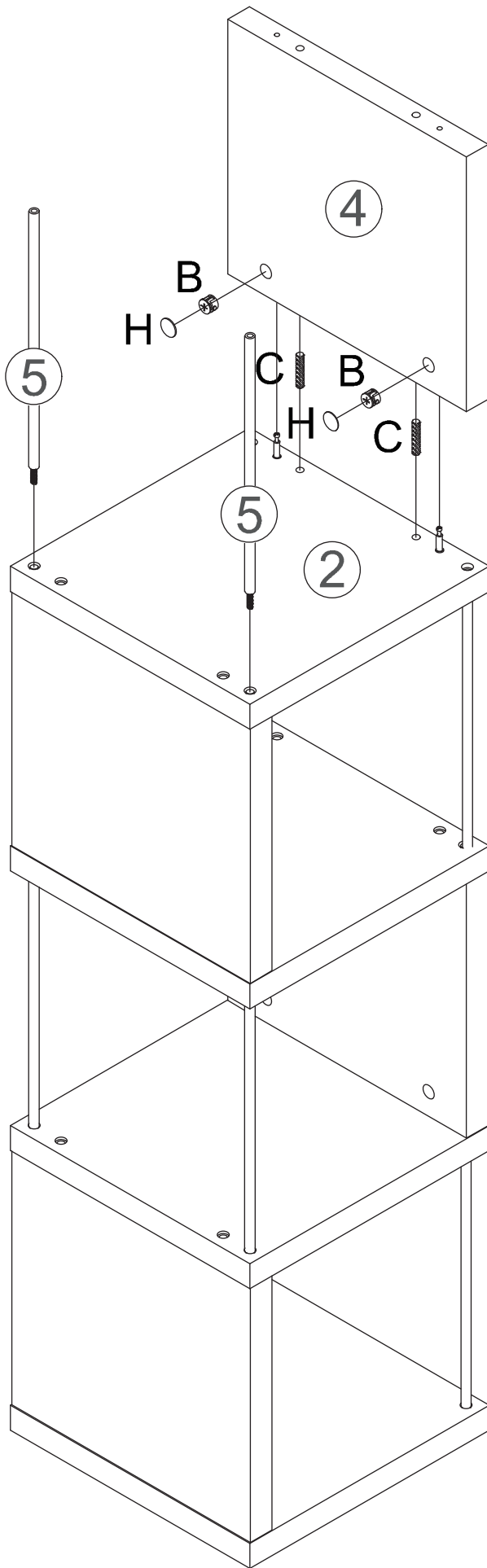
C	x2
	
Ø6x30mm	




D	x2
	
D6x40mm	

F	x2
	
D7x60mm	

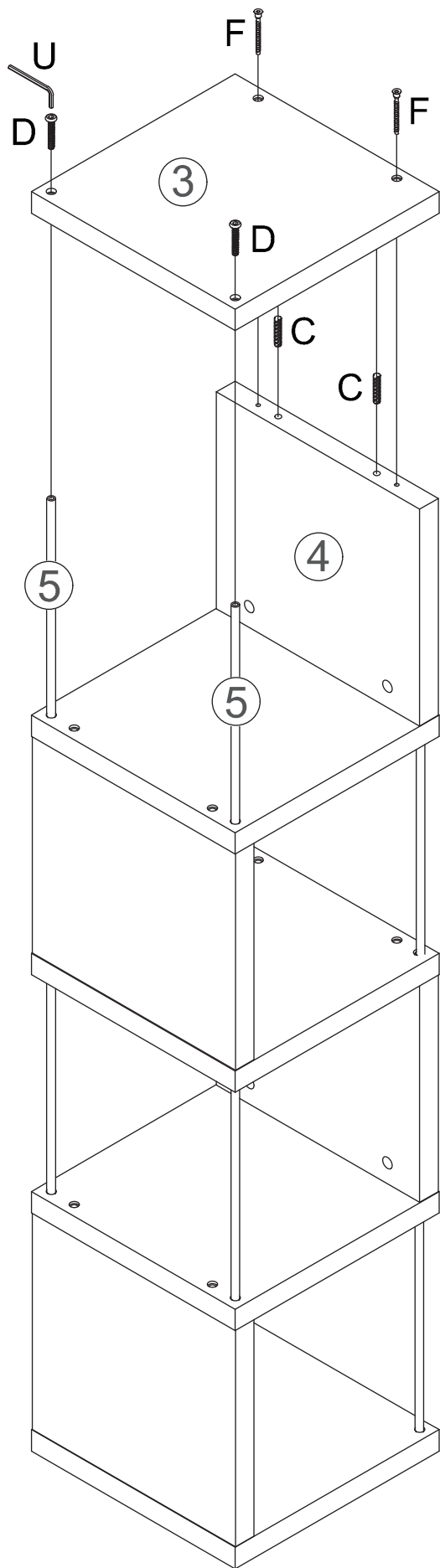
U	x1
	
M4	


08





B	x2	C	x2	H	x2
					
Ø15xD9mm		Ø8x30mm		Ø20mm	


09



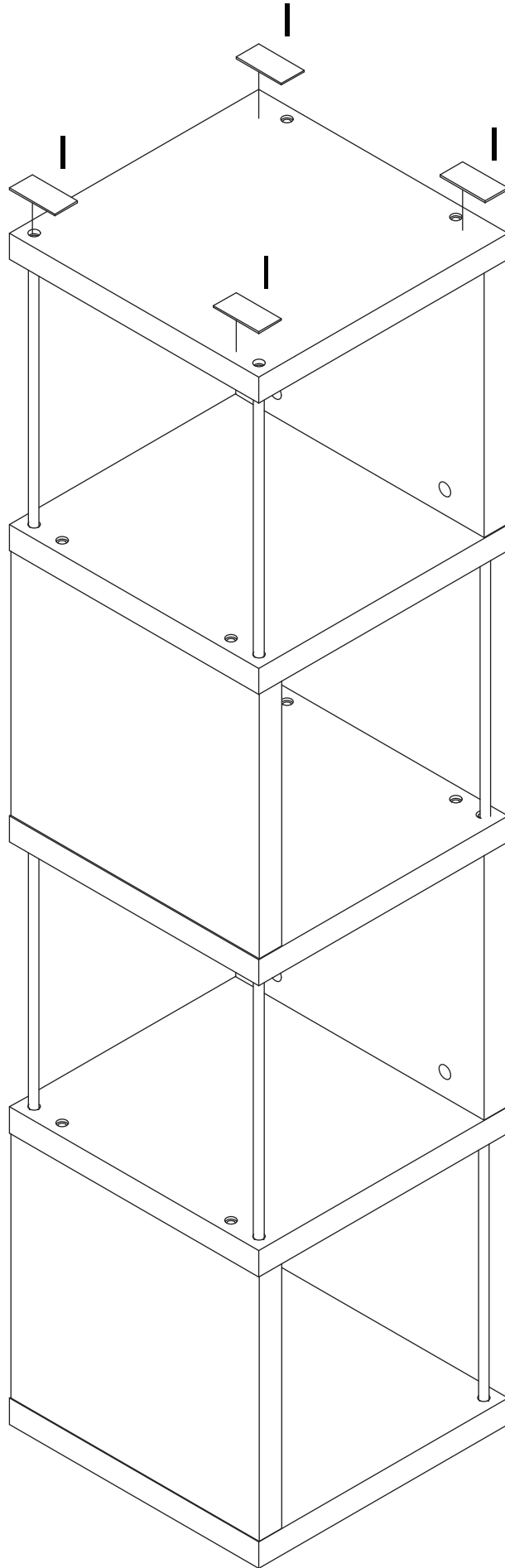
C	x2
	
Ø6x30mm	

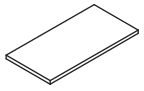
D	x2
	
D6x40mm	

F	x2
	
D7x60mm	

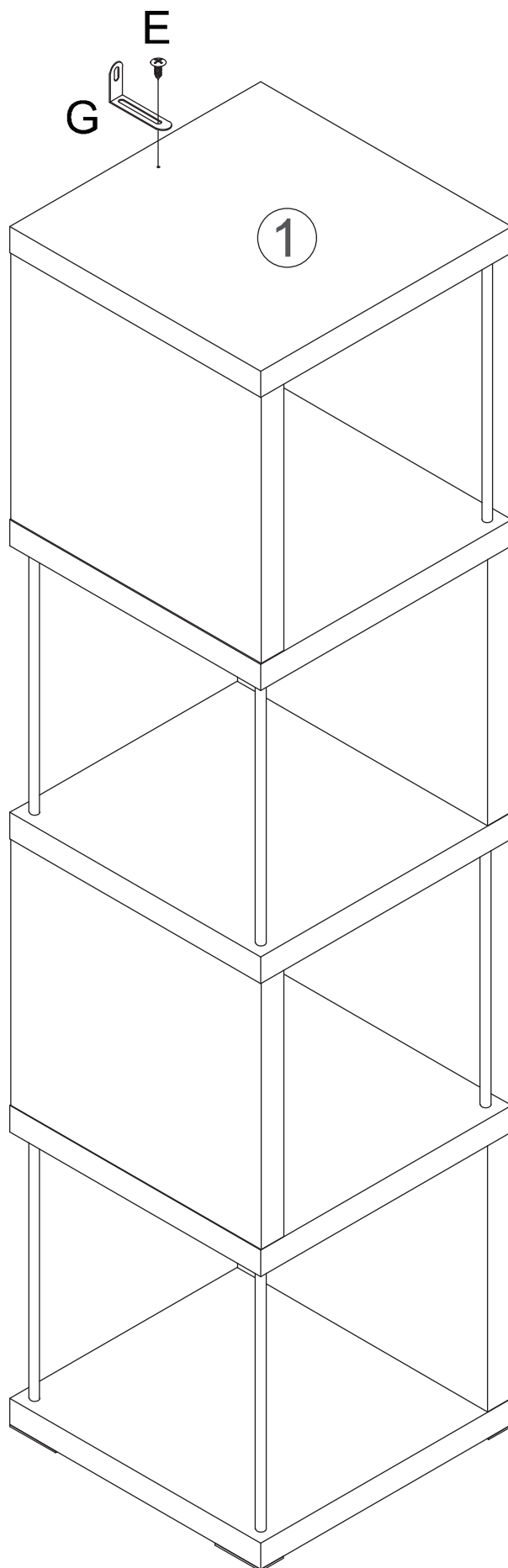
U	x1
	
M4	


10




I	x4
	
60x30x2mm	

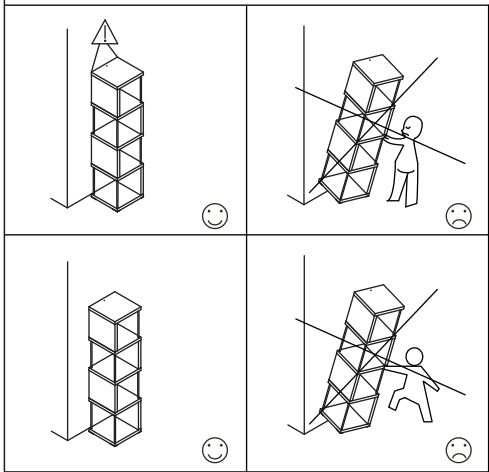
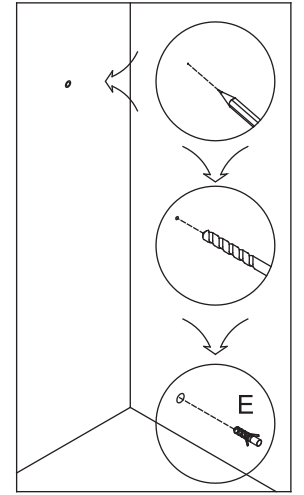
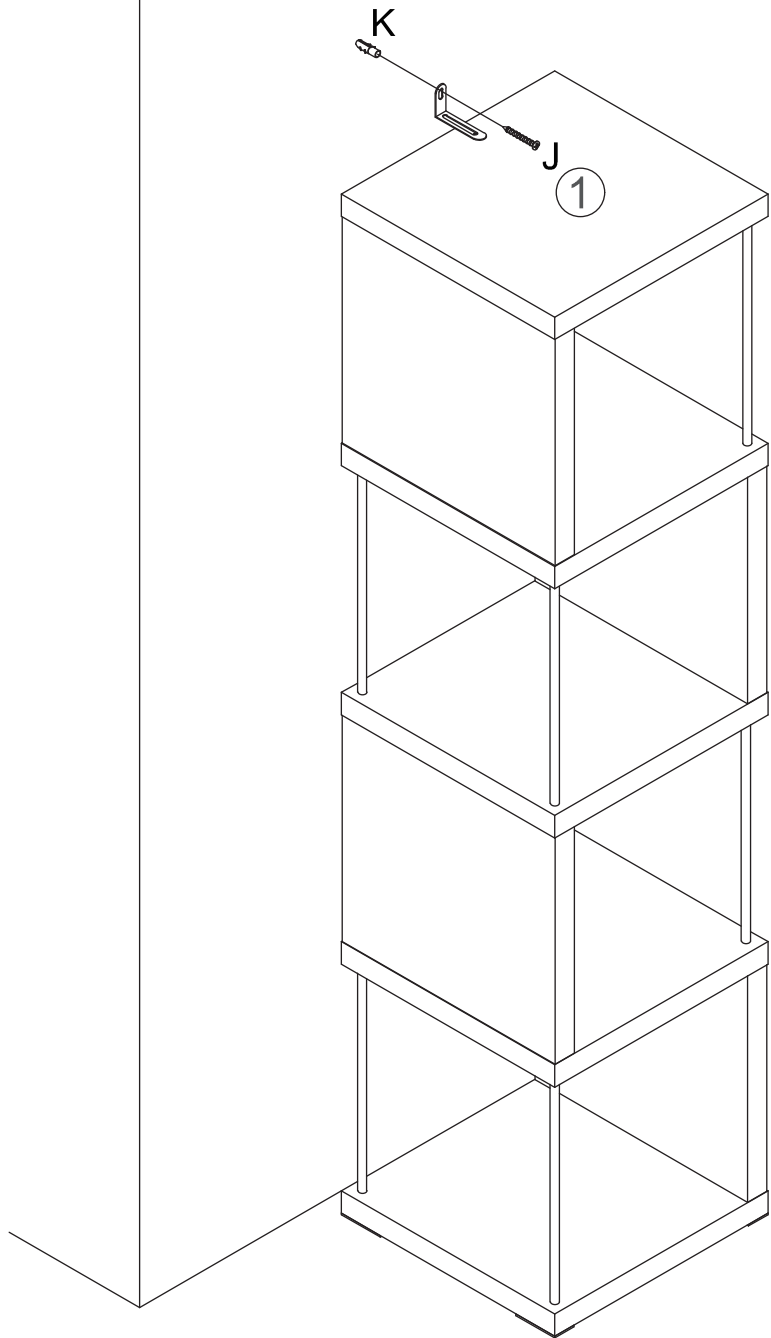
11





E	x1
	
D4x14mm	

G	x1
	
72mmx25mm	

12



J	x1
	
D4x32mm	

K	x1
	
Ø6x30mm	