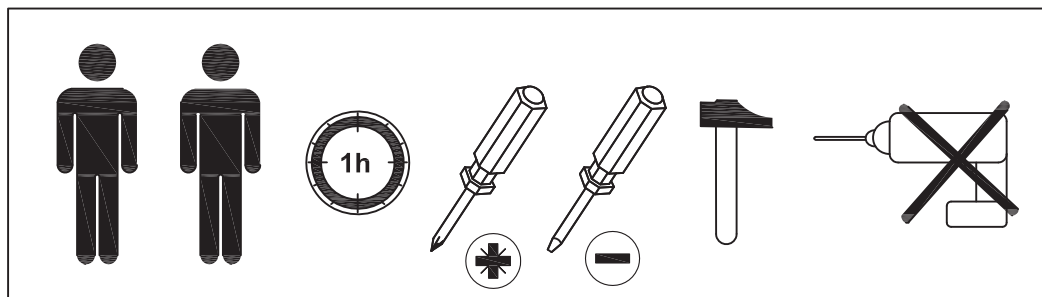
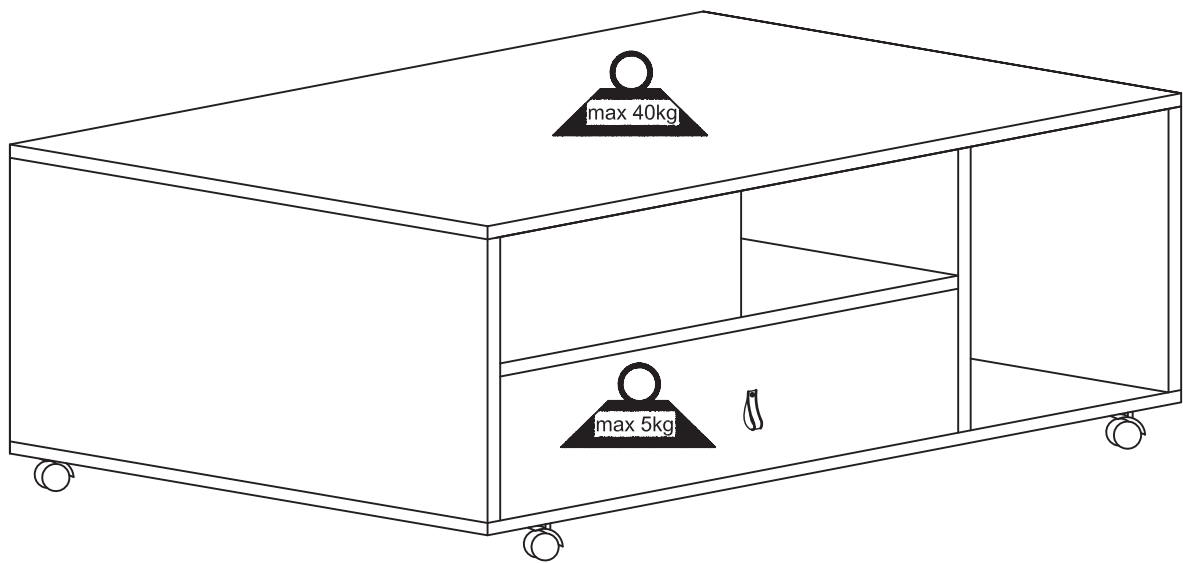
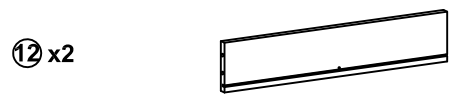
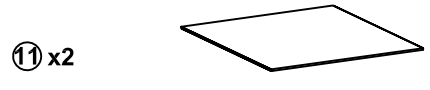
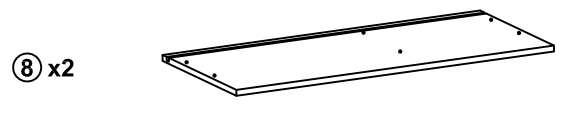
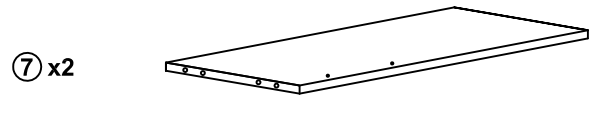
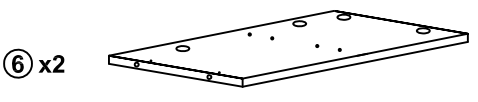
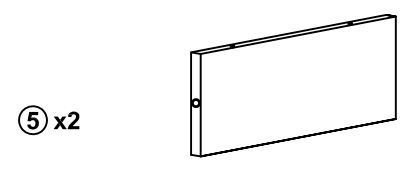
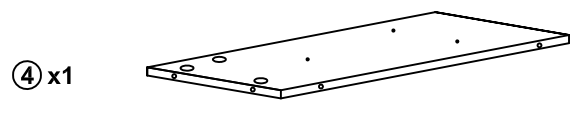
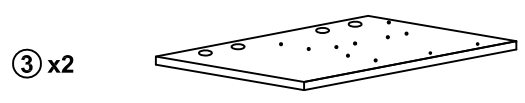
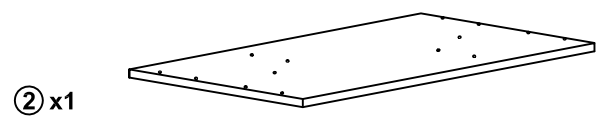
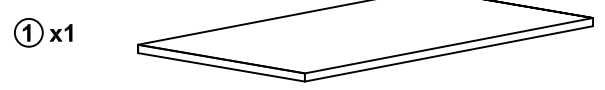
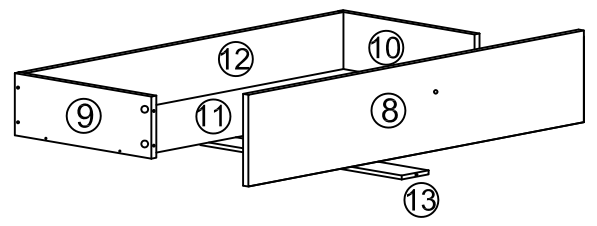
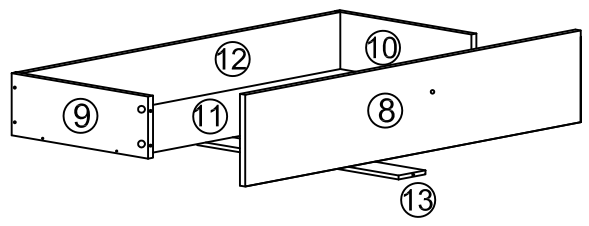
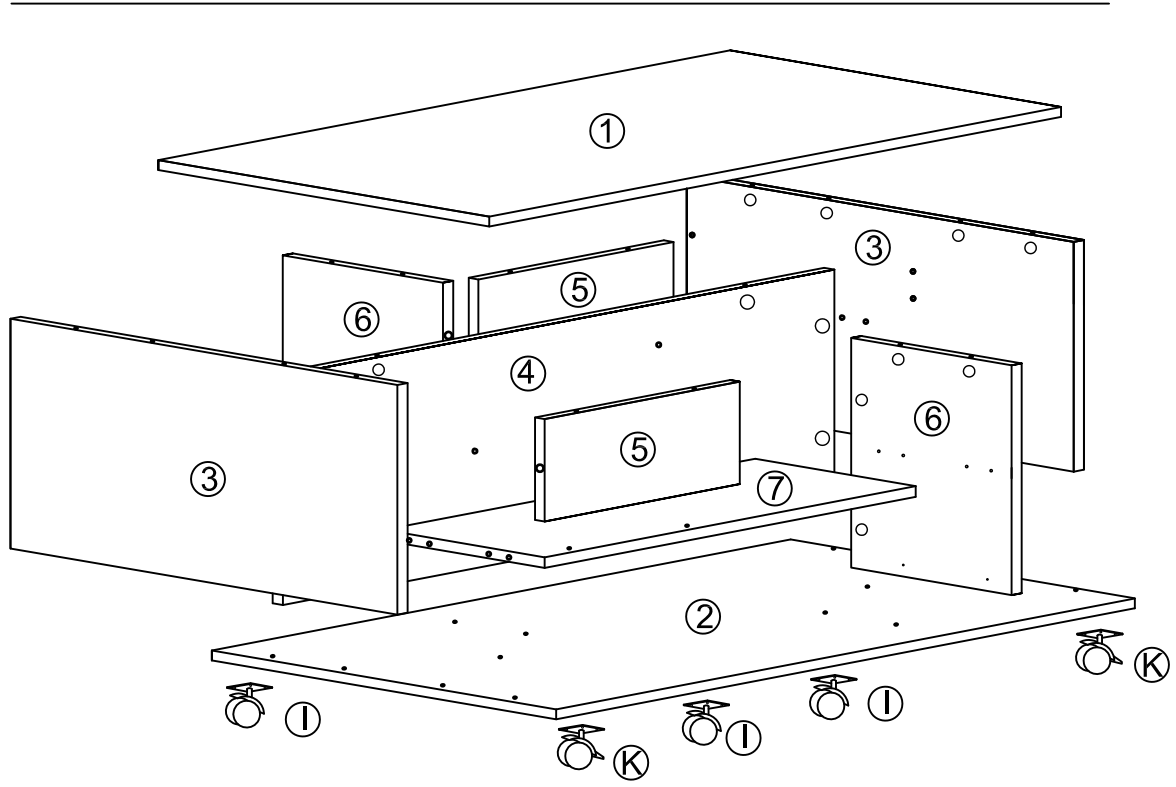



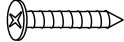
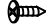
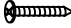



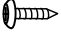





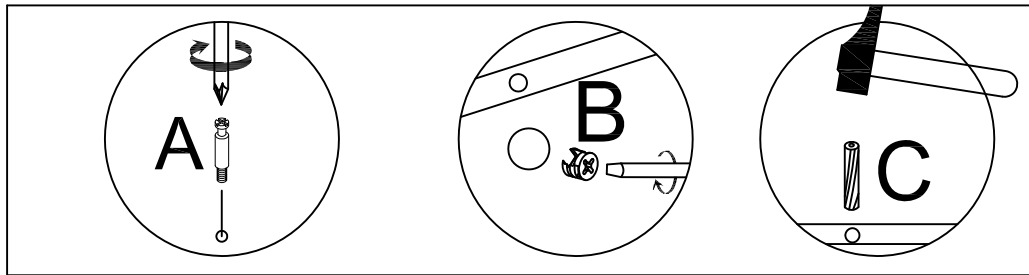
Mick

06770001/02

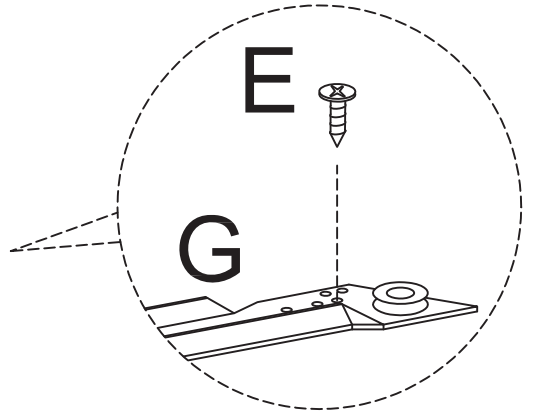
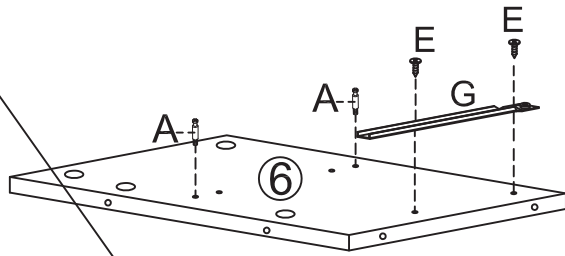
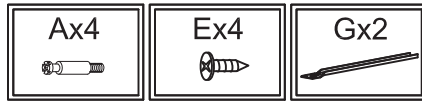




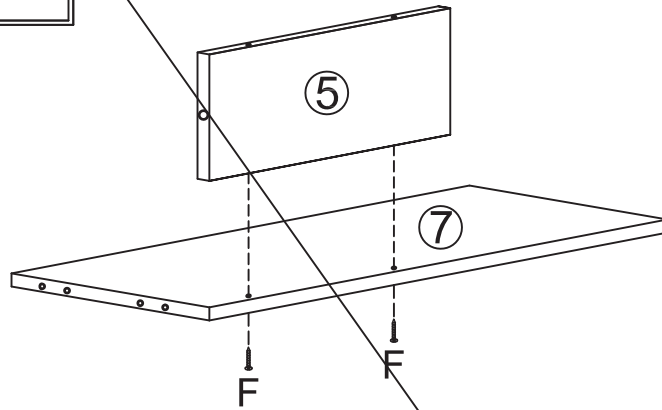
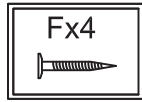
| Ax42 | Bx42 | Cx18 | Dx14 | Ex16 | Fx14 | Gx4 | Hx4 |
|--|---|--|--|--|--|---|---|
|  35mm |  Ø15x10mm |  Ø6x30mm |  Ø4x40mm |  Ø3x10mm |  Ø3.5x30mm |  |  |
| Ix3 | Jx20 | Kx2 | Px2 | Mx20 | | | |
|  |  Ø3x12mm |  |  |  | | | |



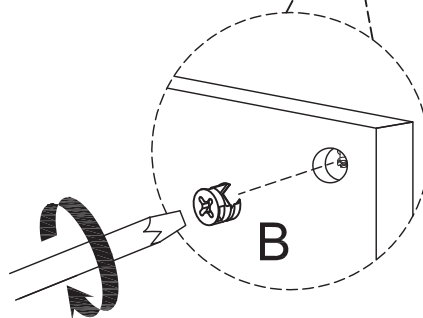
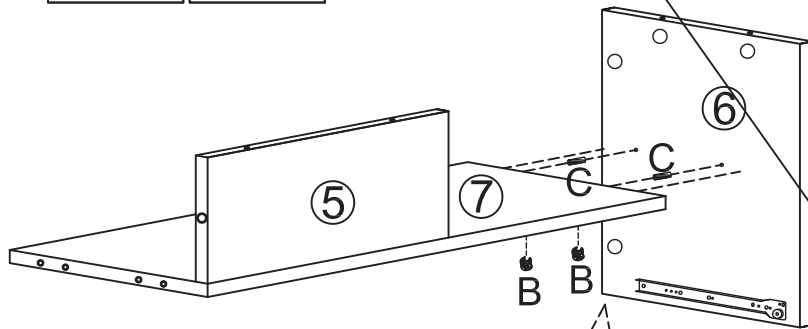
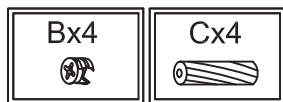
1 x2



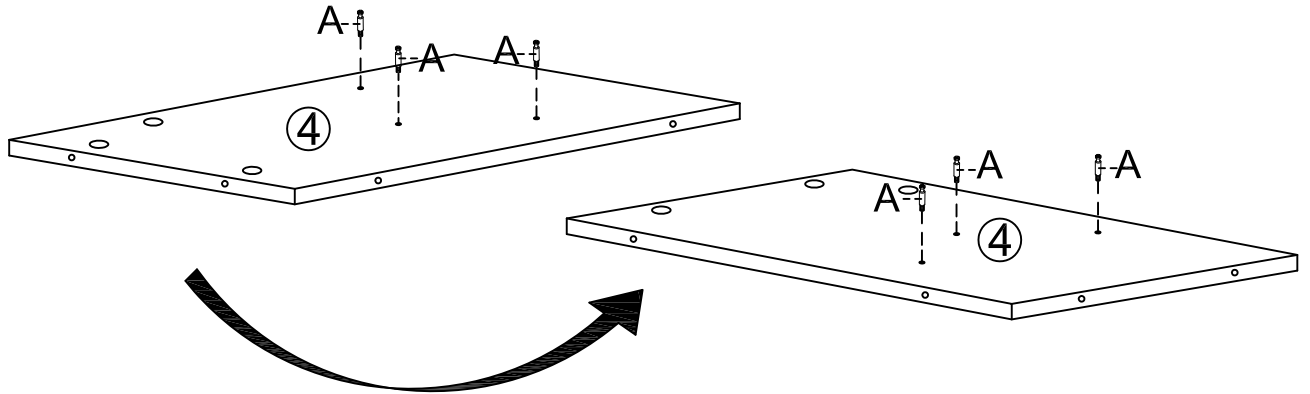
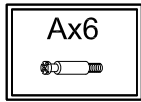
2 x2



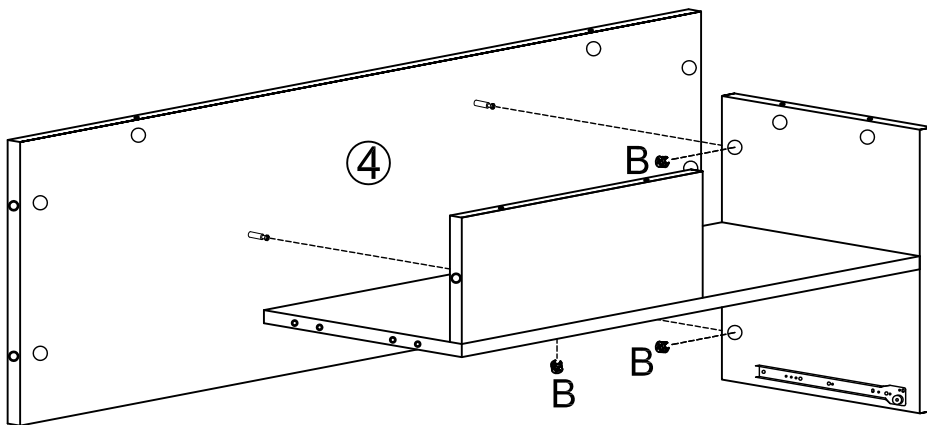
3 x2



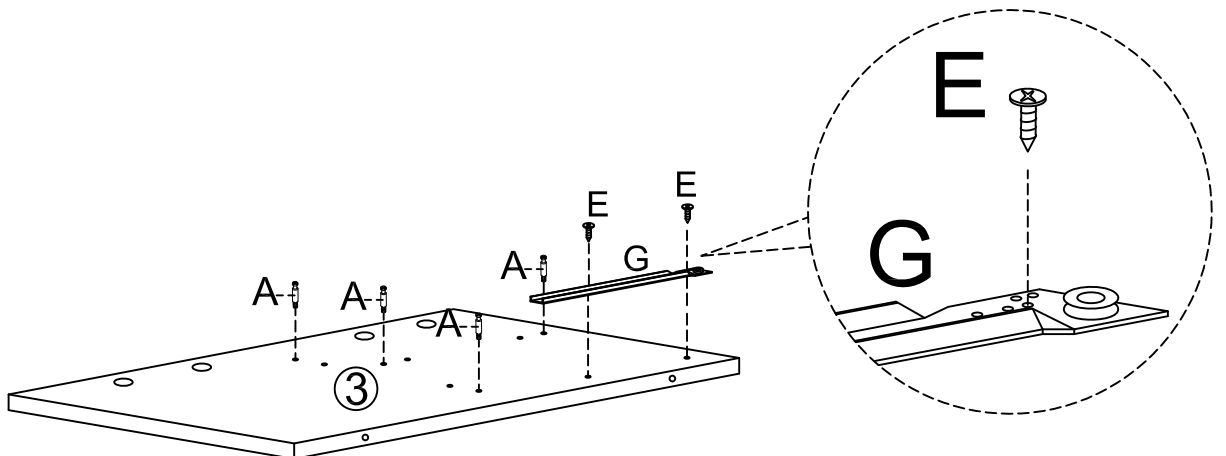
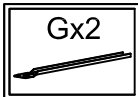
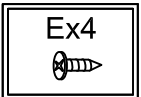
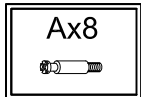
4



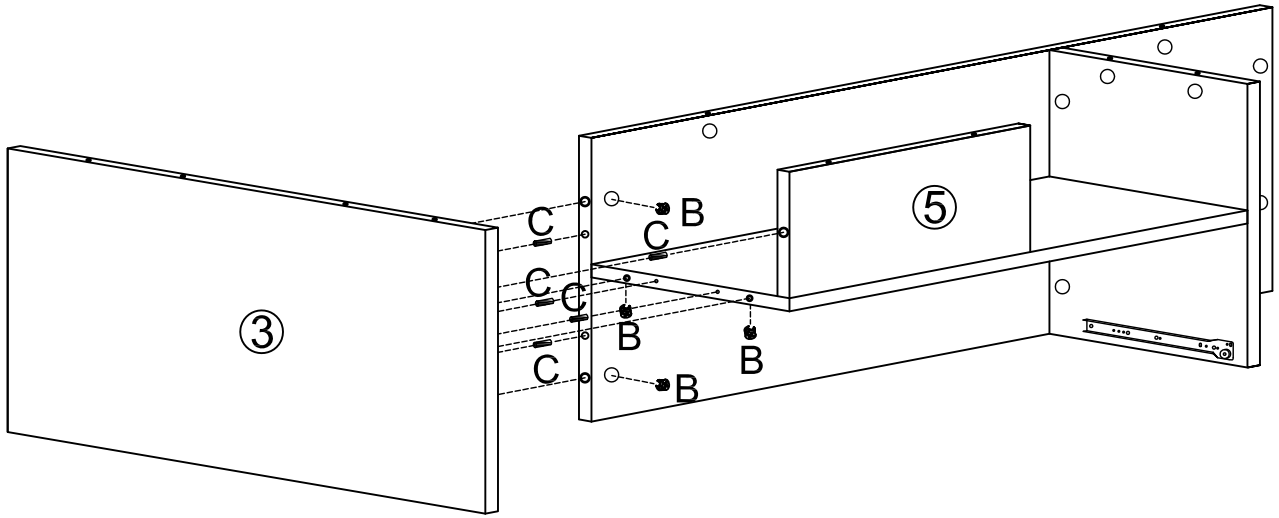
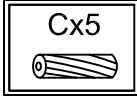
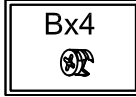
5



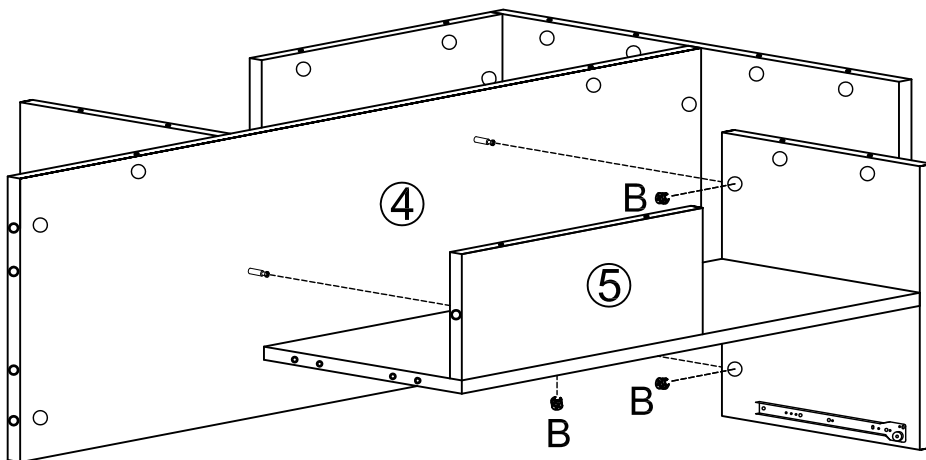
6 x2



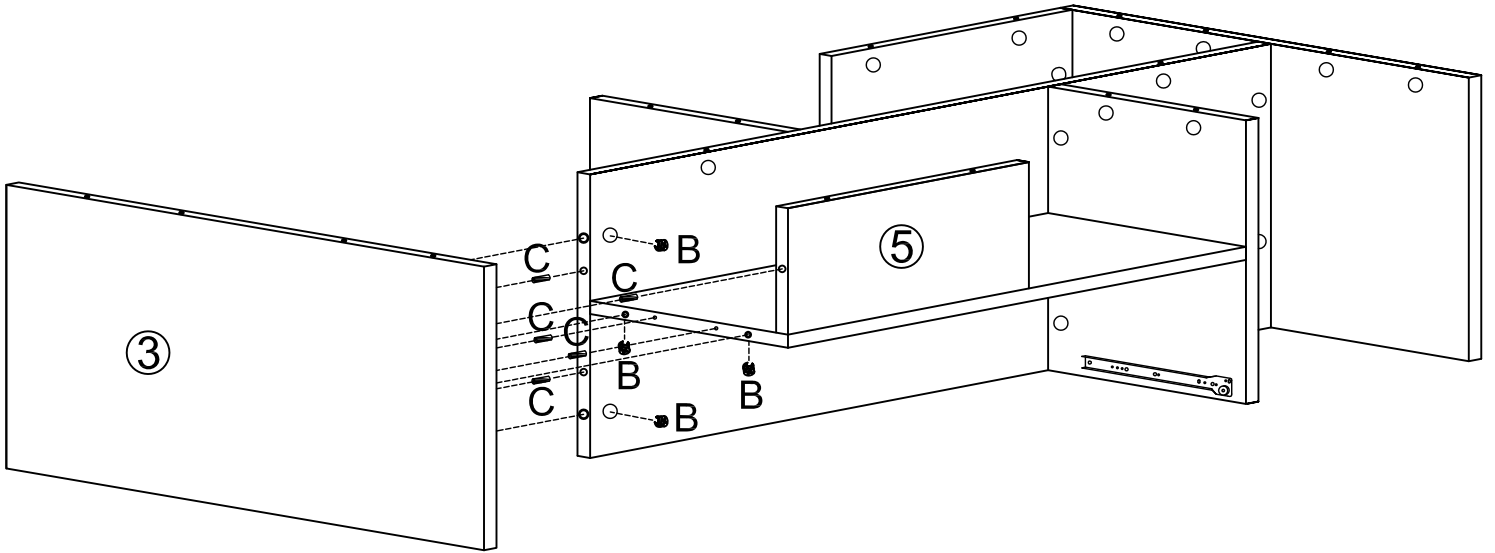
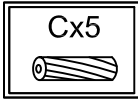
7



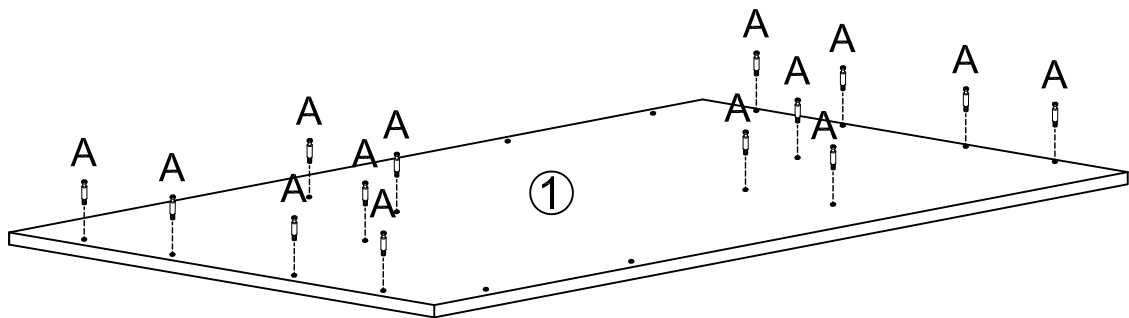
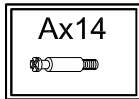
8



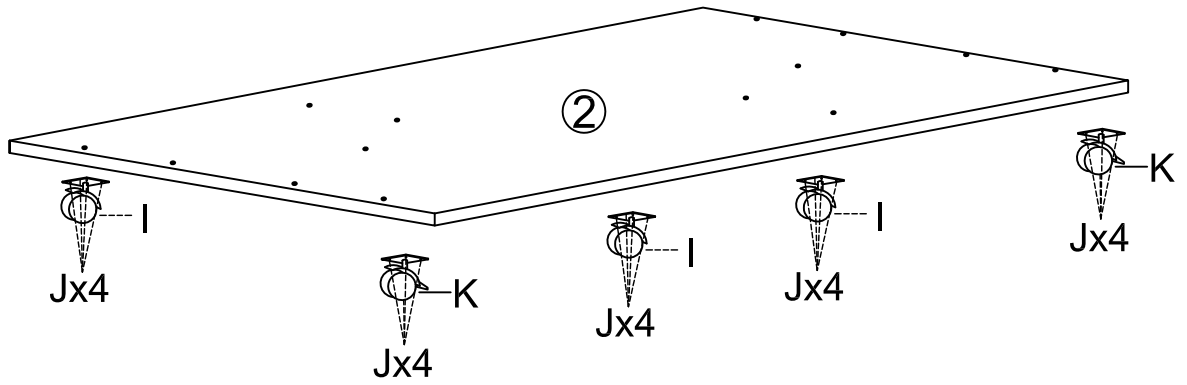
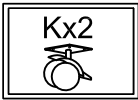
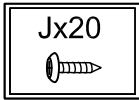
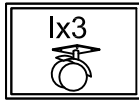
9



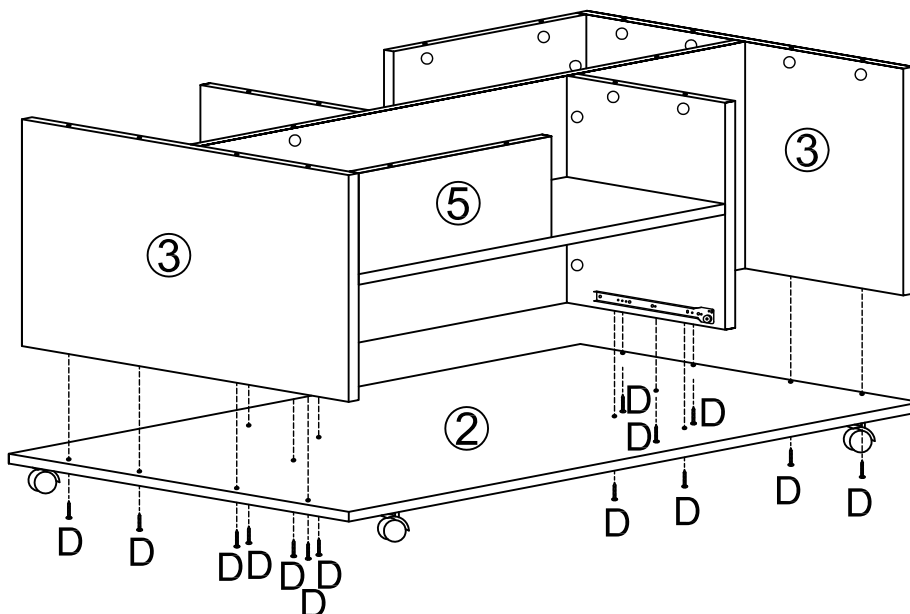
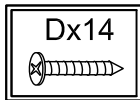
10



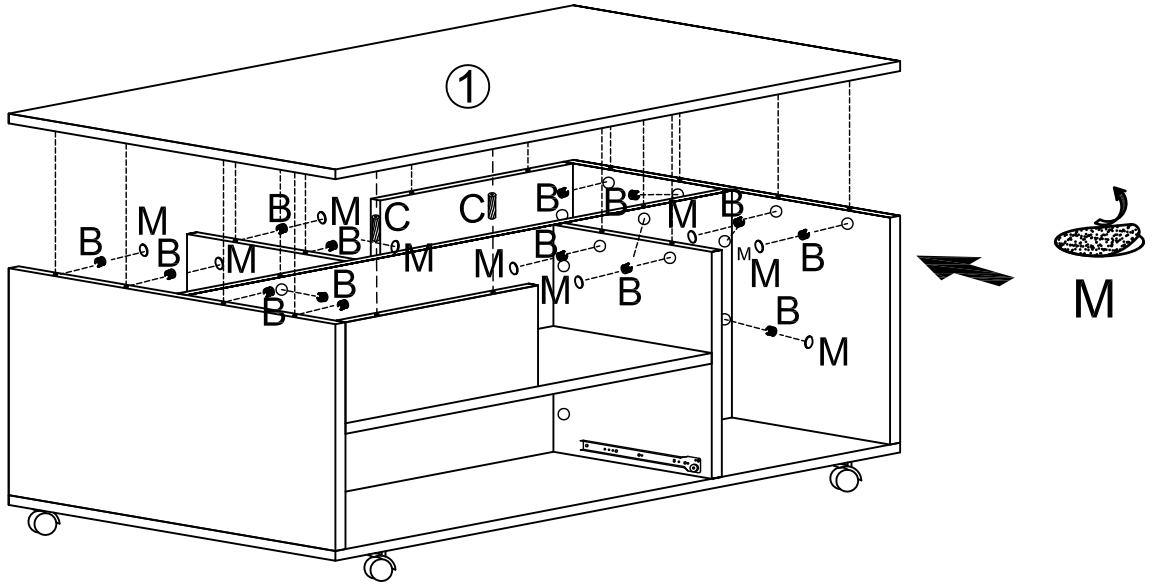
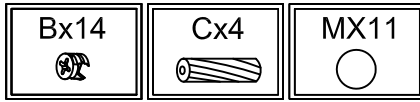
11



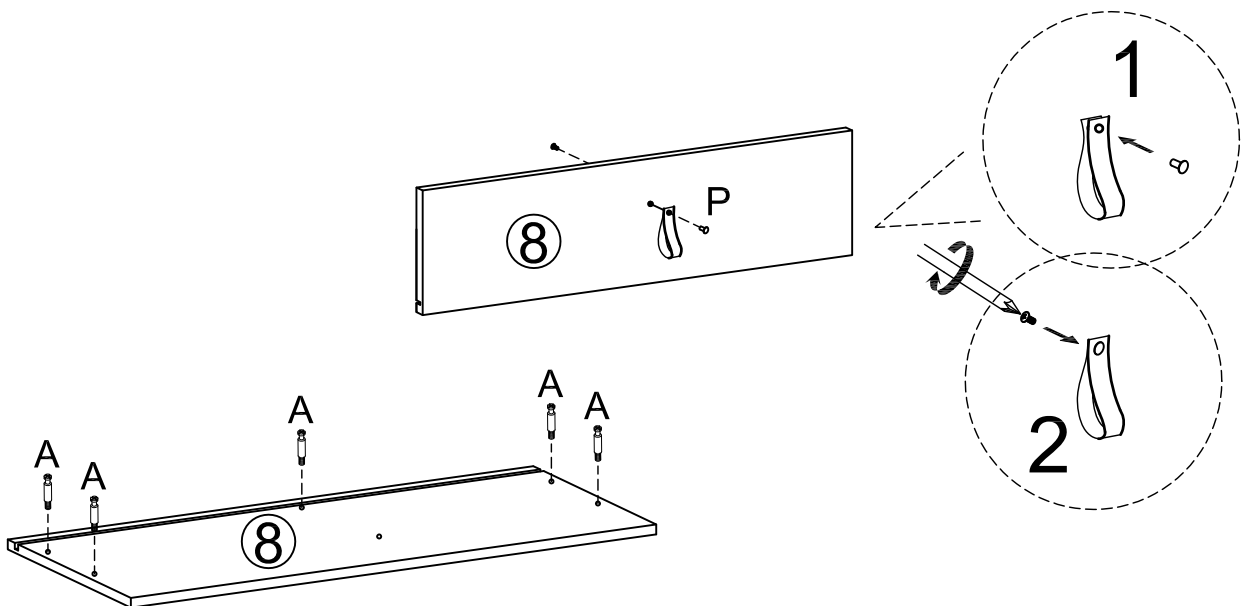
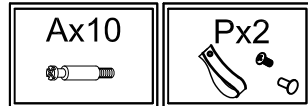
12



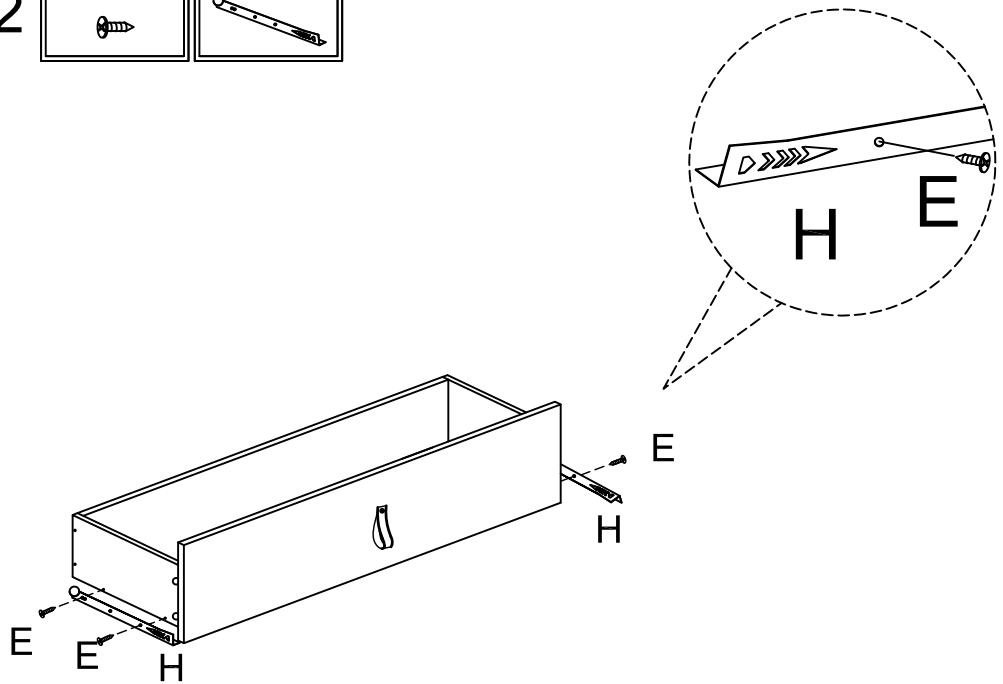
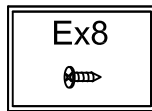
13



14 x2



17 x2



18

