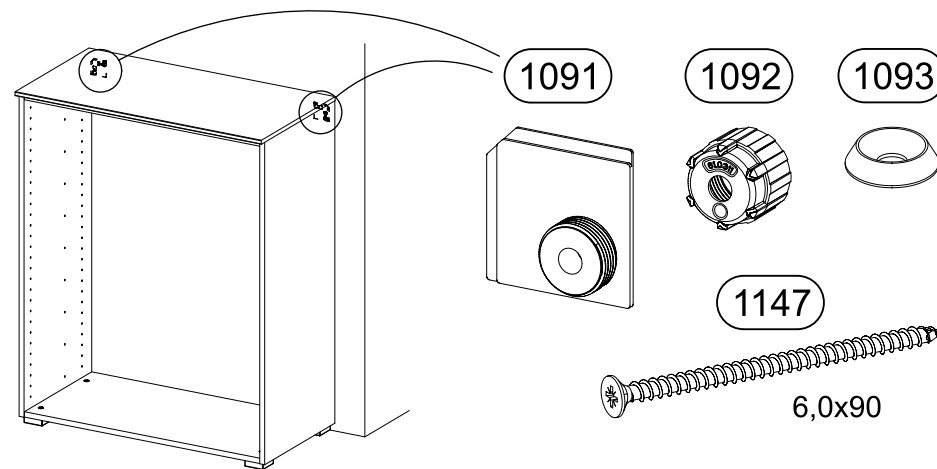
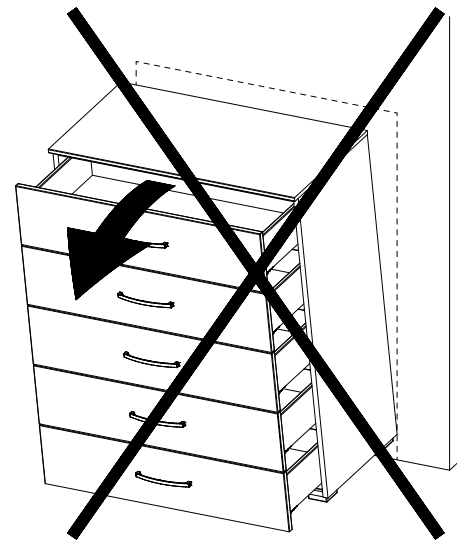
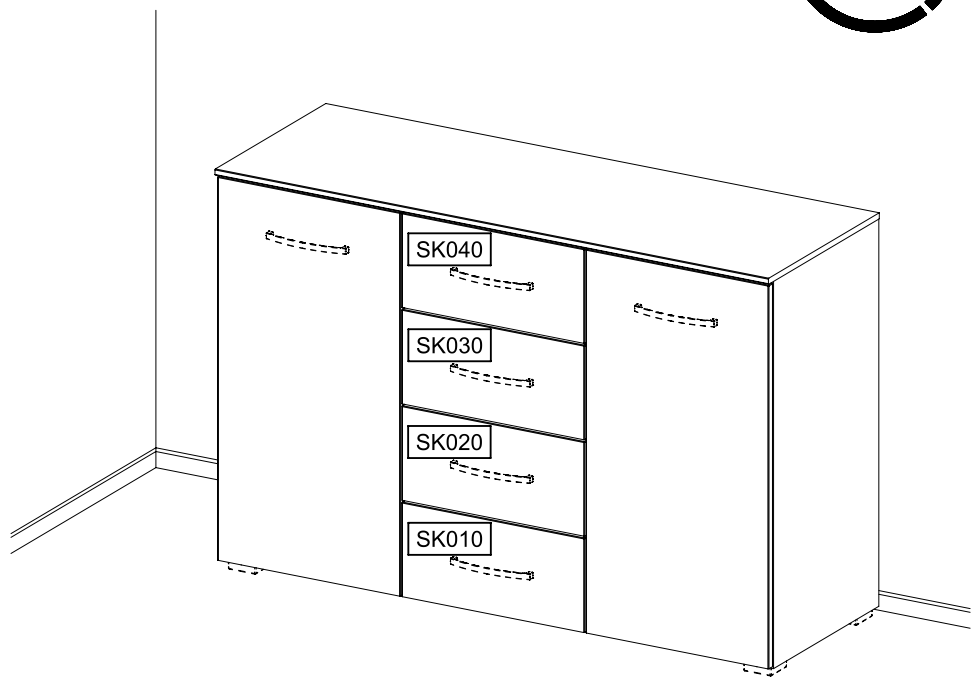
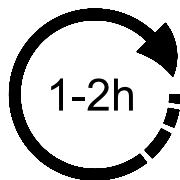
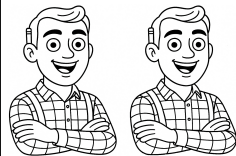
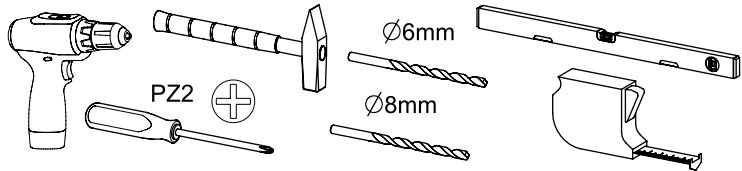


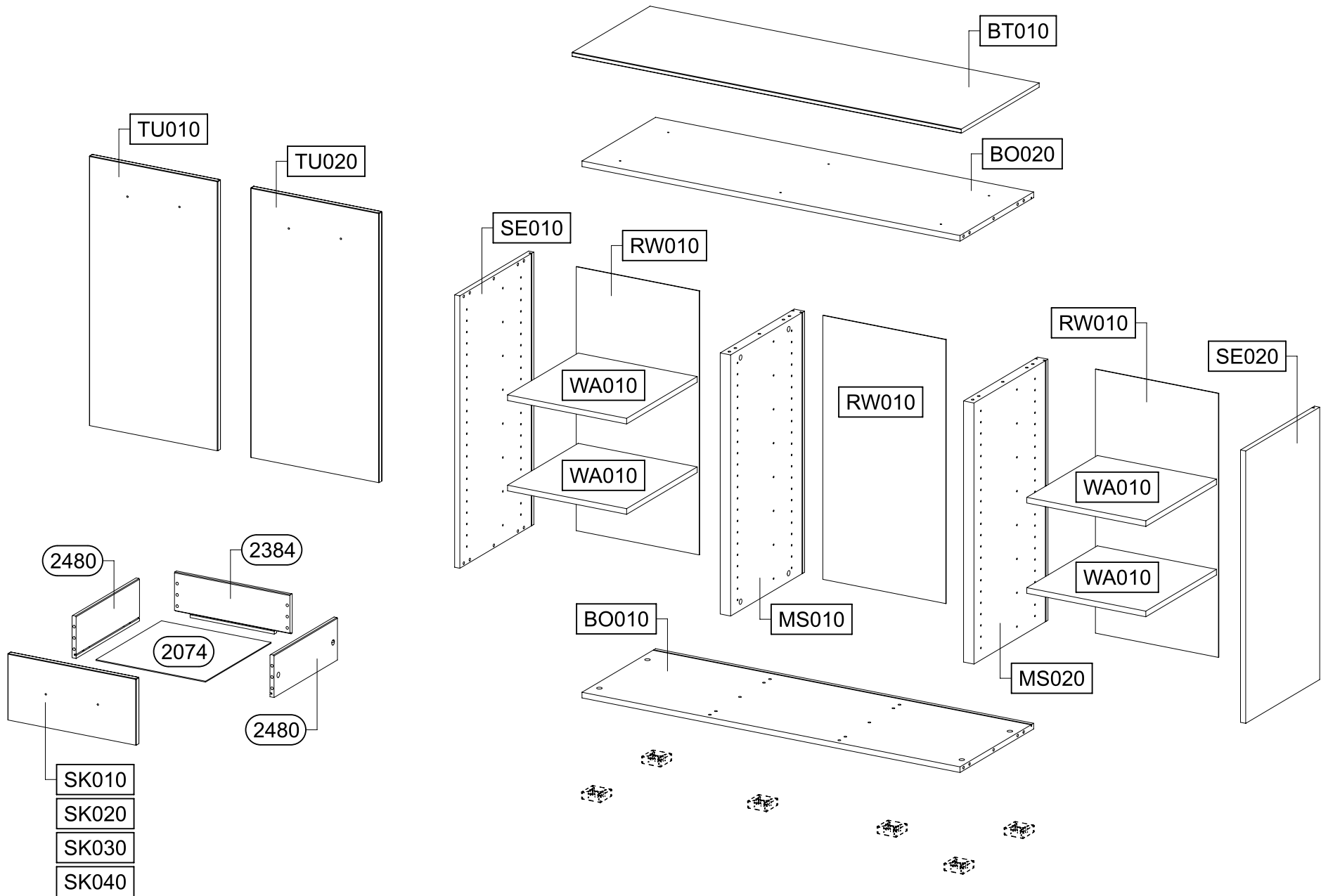
# M3100\_02

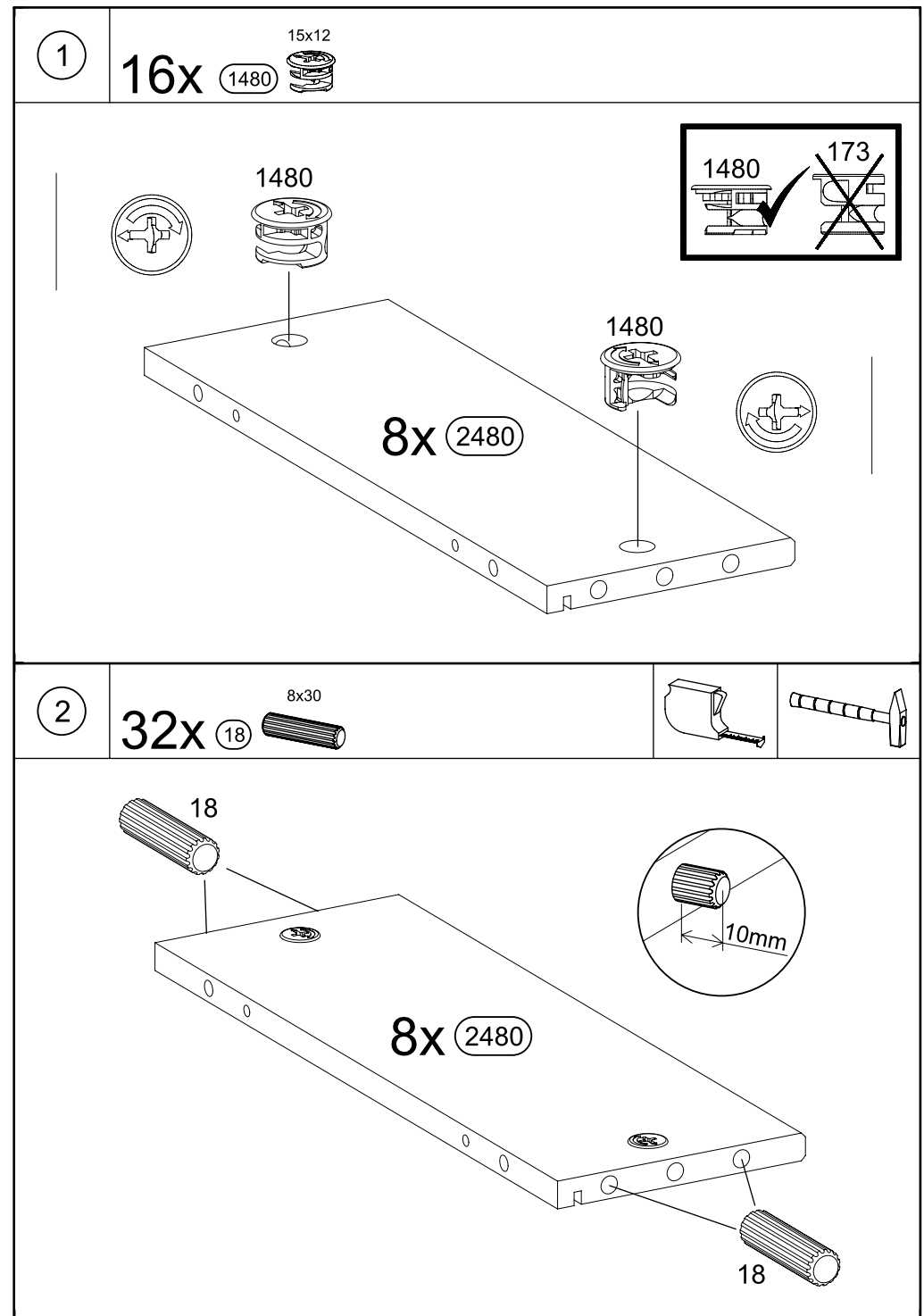
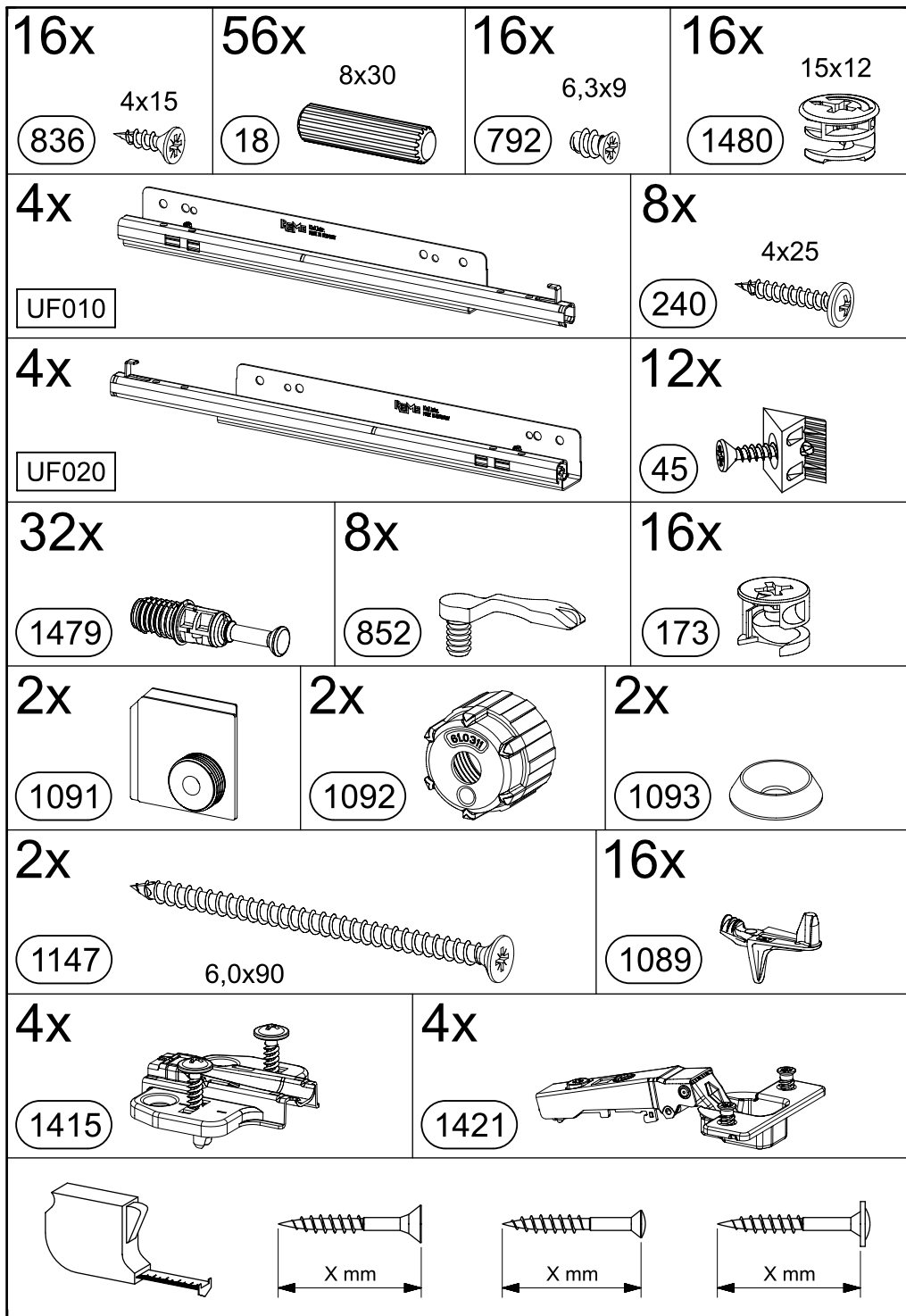


VIDEO



SCAN ME





3

1479



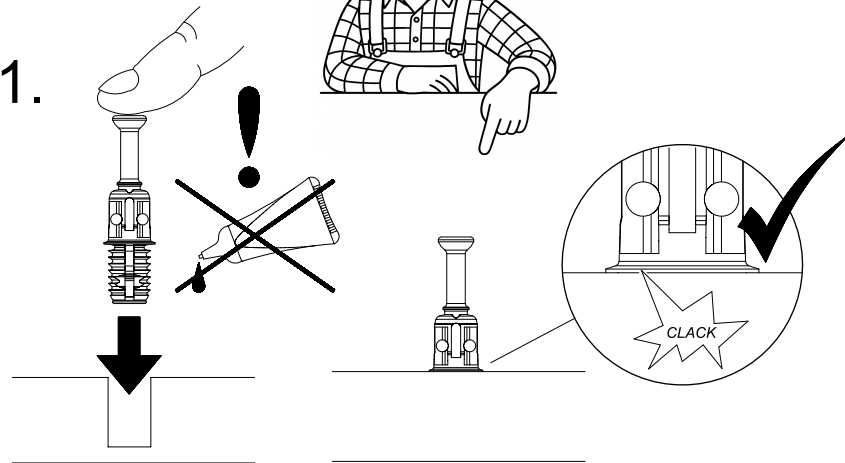
# Function!



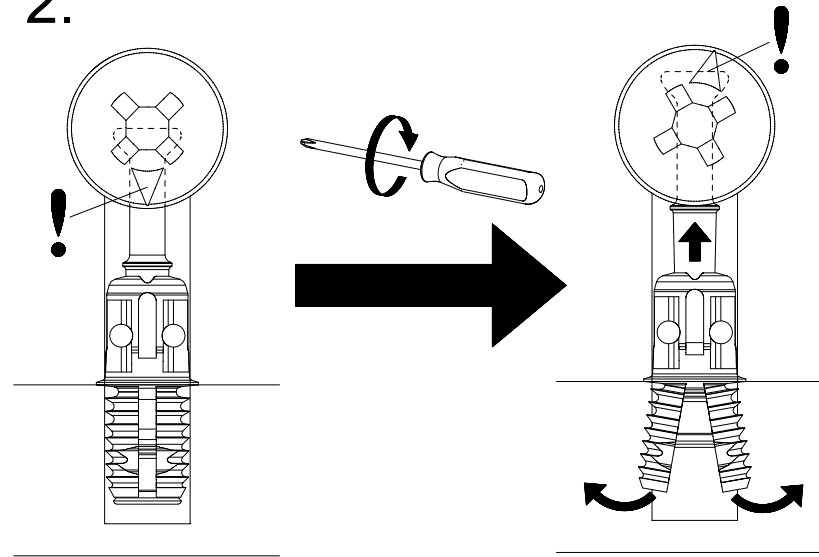
Scan Me



1.



2.



4

8x

1479

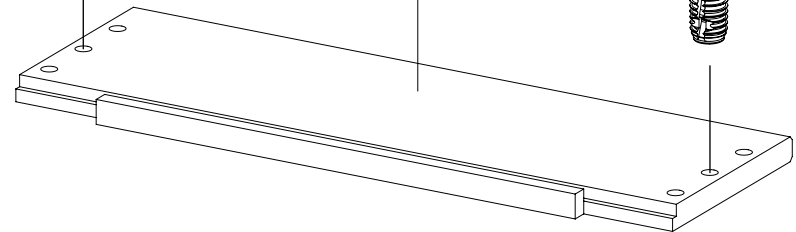


1479



4x

2384



1479



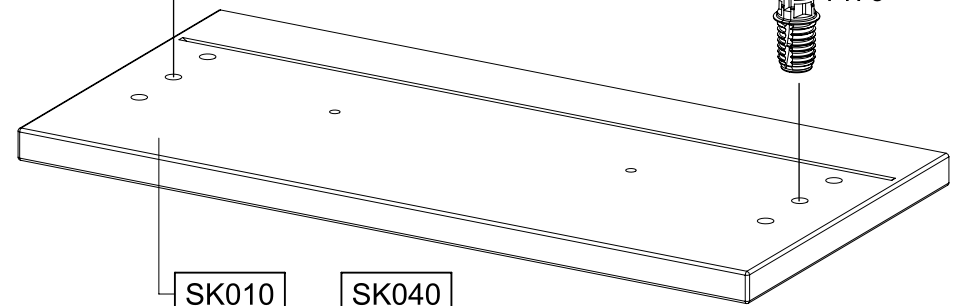
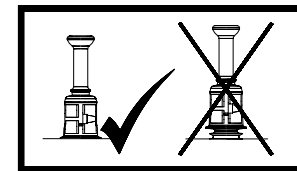
5

8x

1479



1479

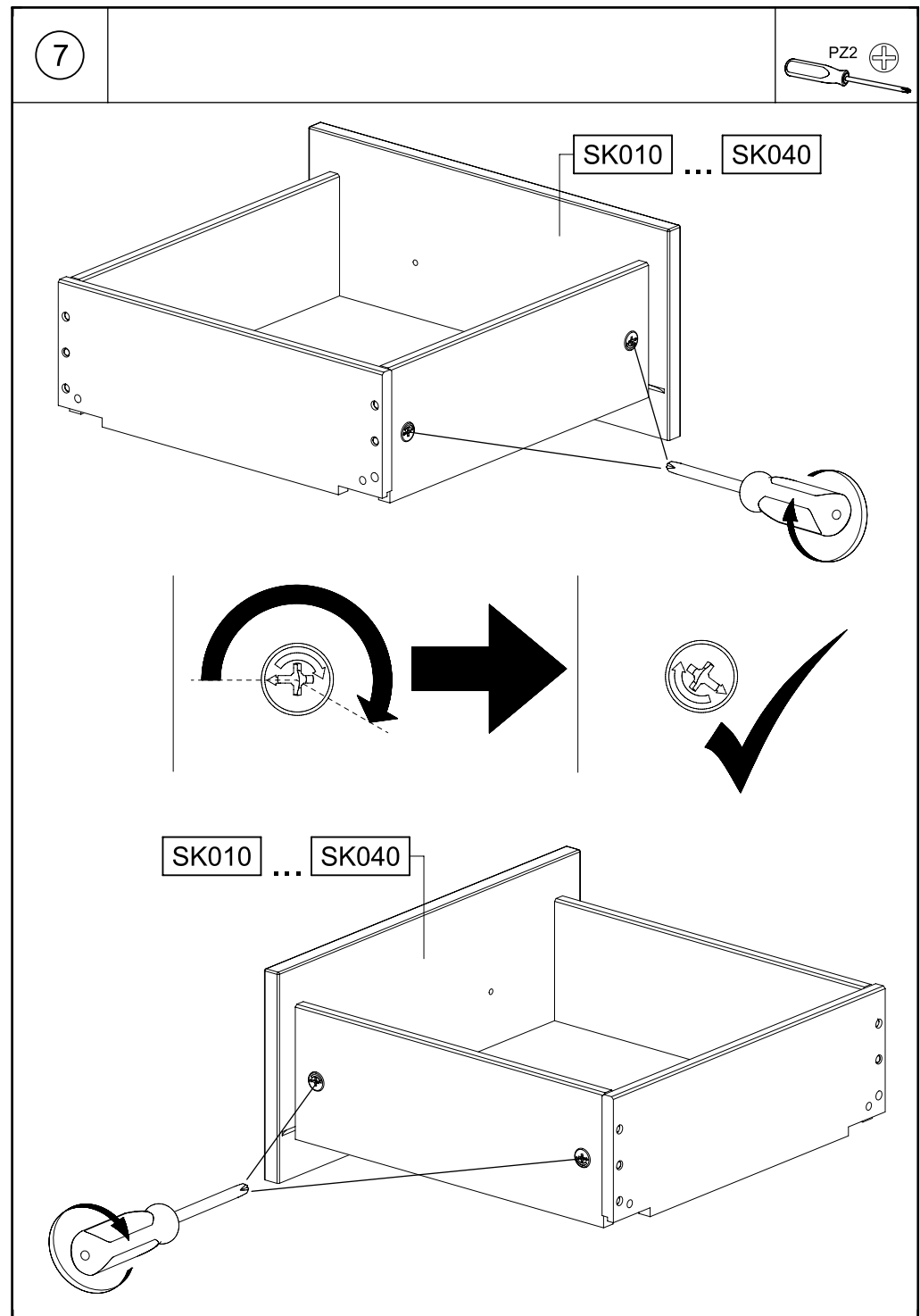
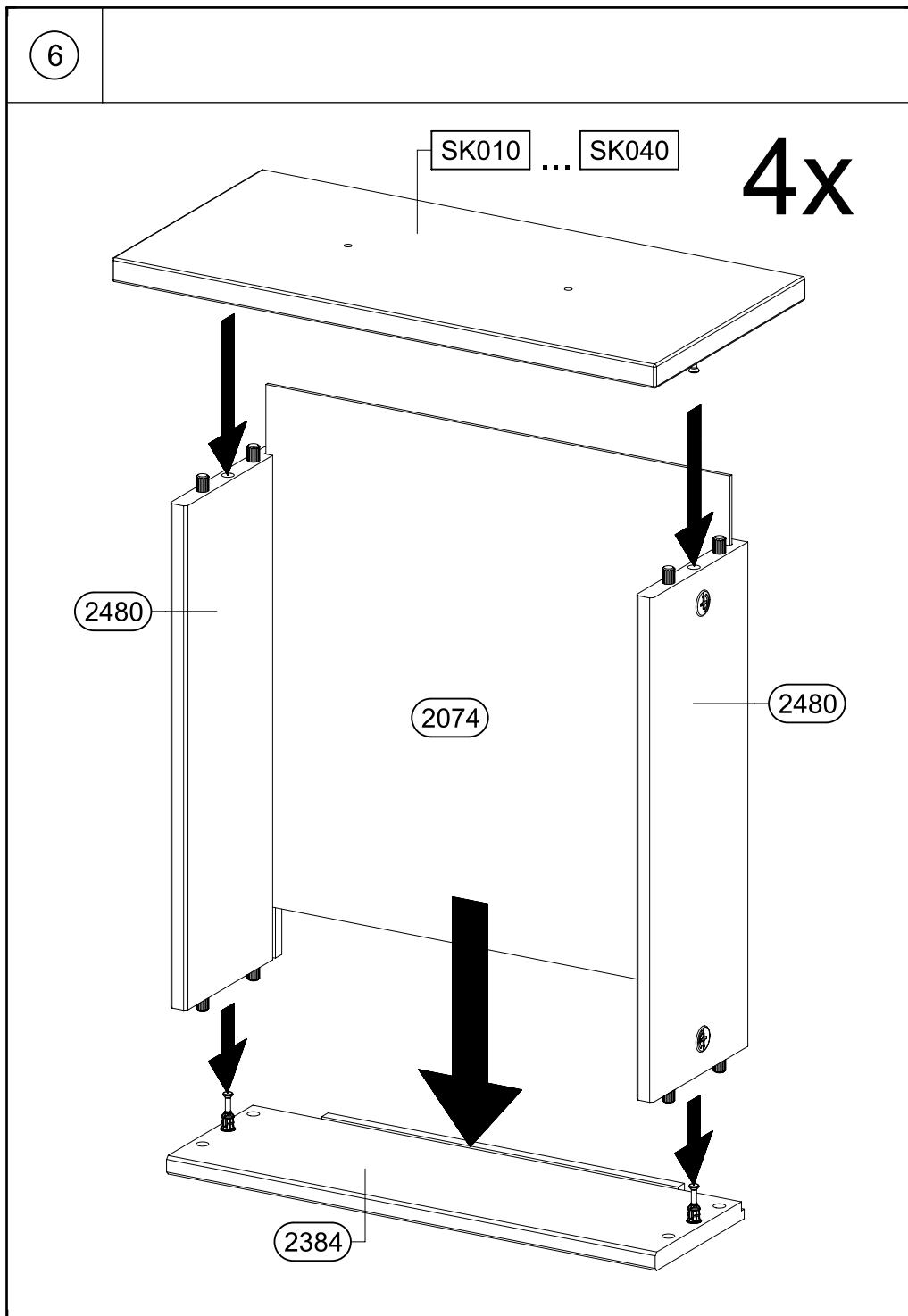


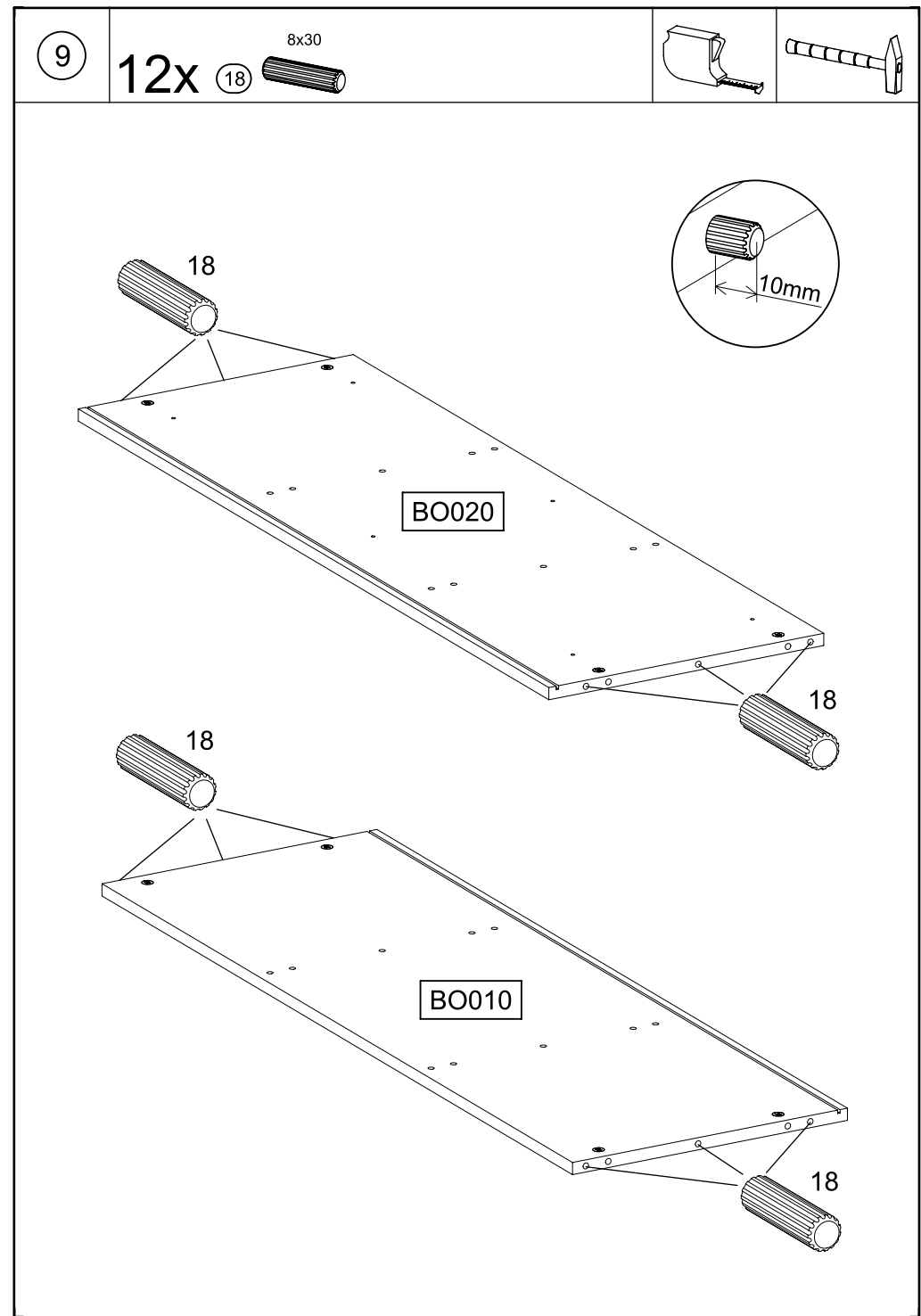
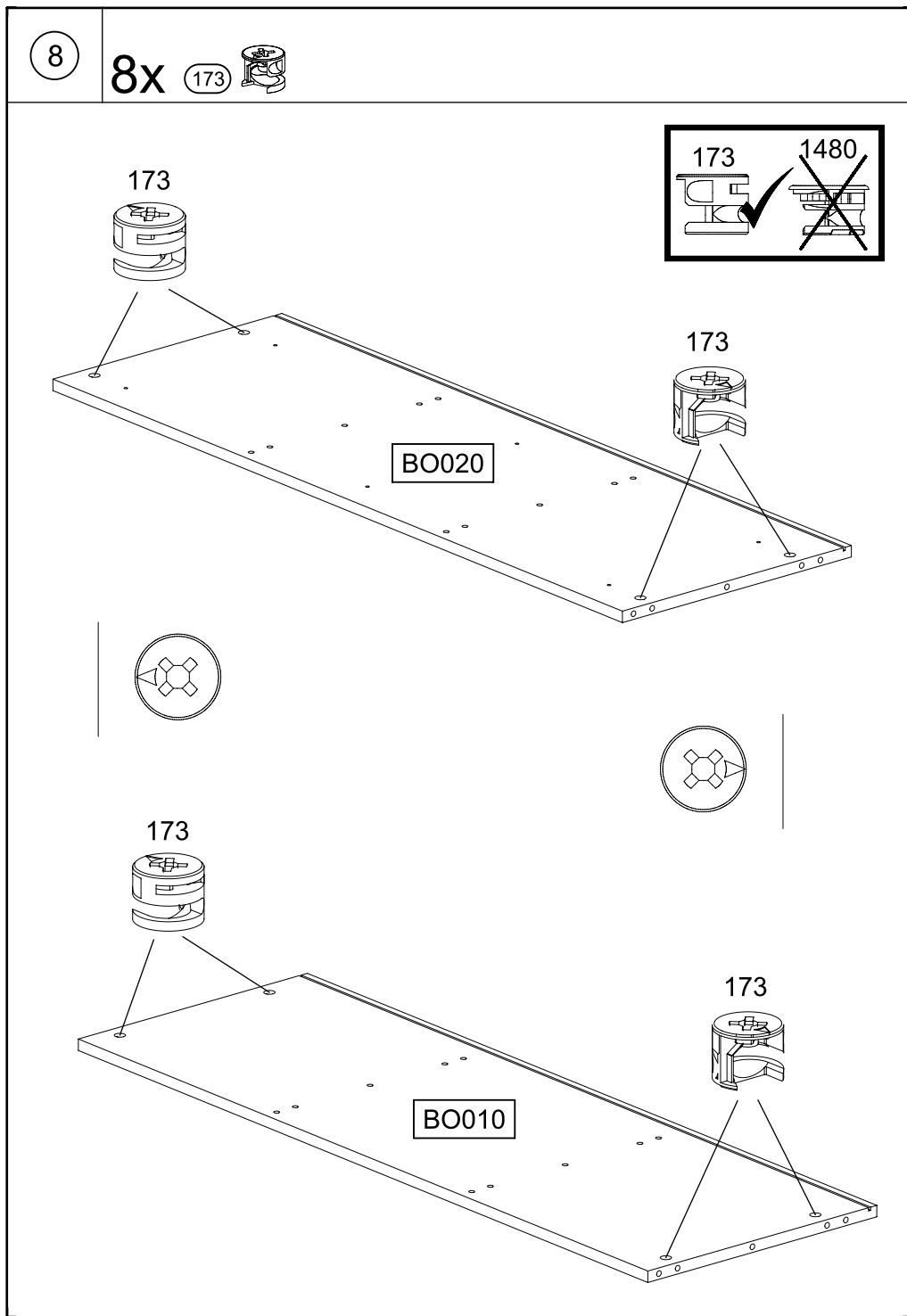
1479

SK010


...

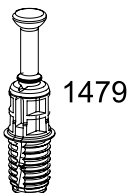
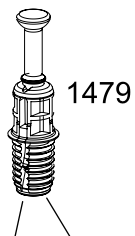
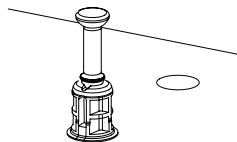
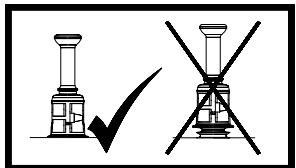
SK040



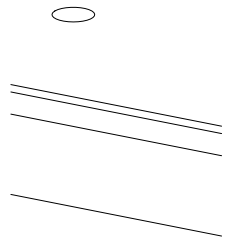
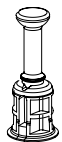


10


4x 1479 

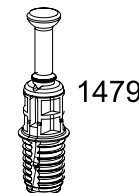
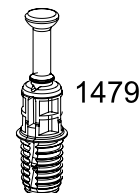
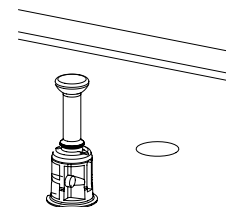
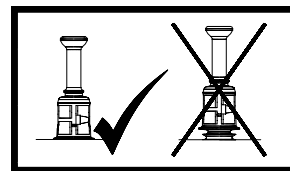


BO020

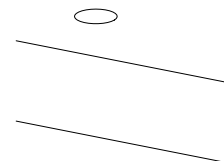
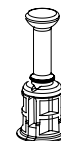


11

4x 1479 



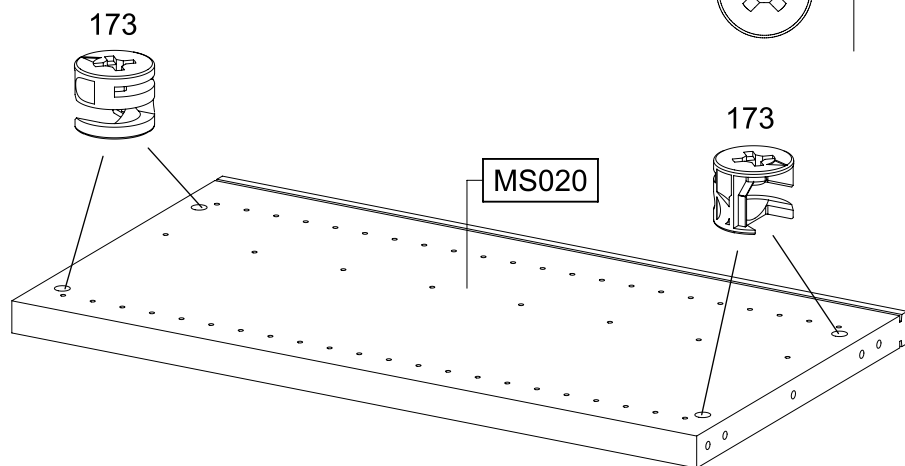
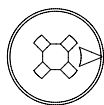
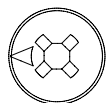
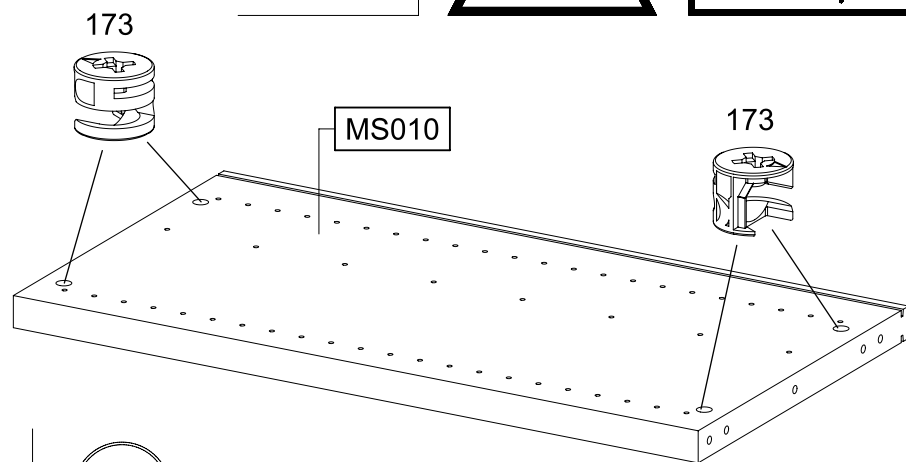
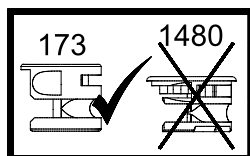
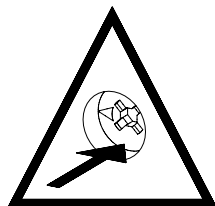
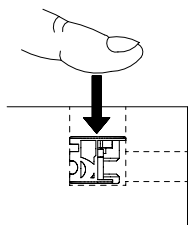
BO010



12

8x

173

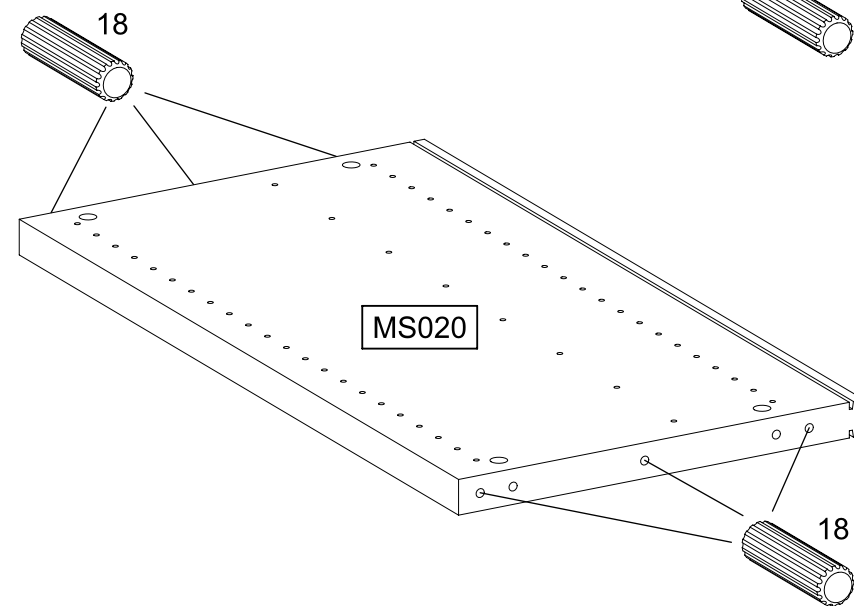
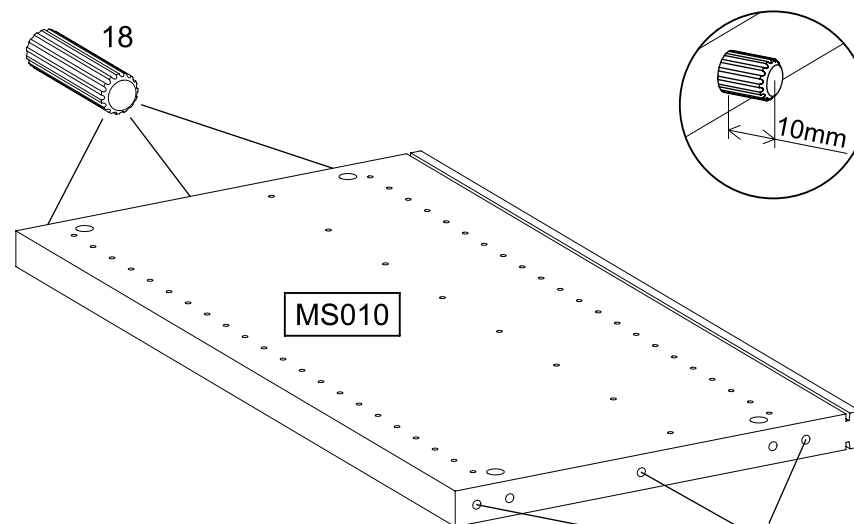
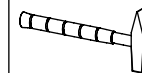
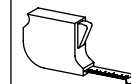


13

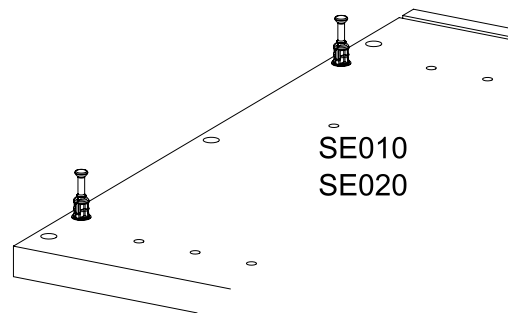
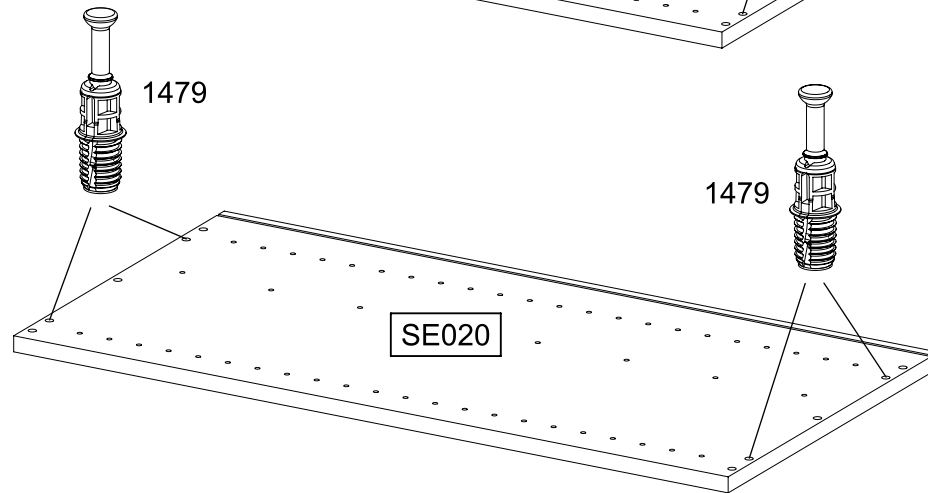
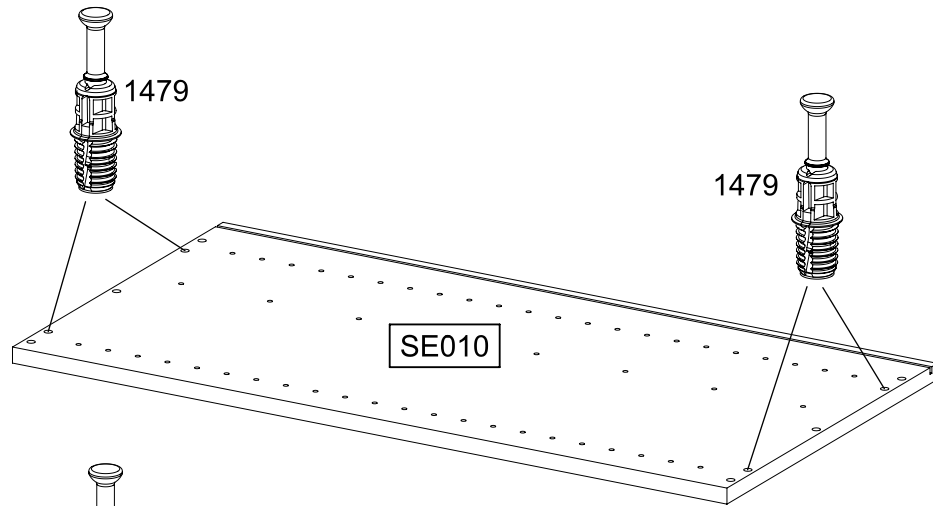
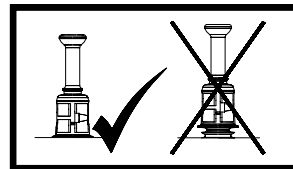
12x

18

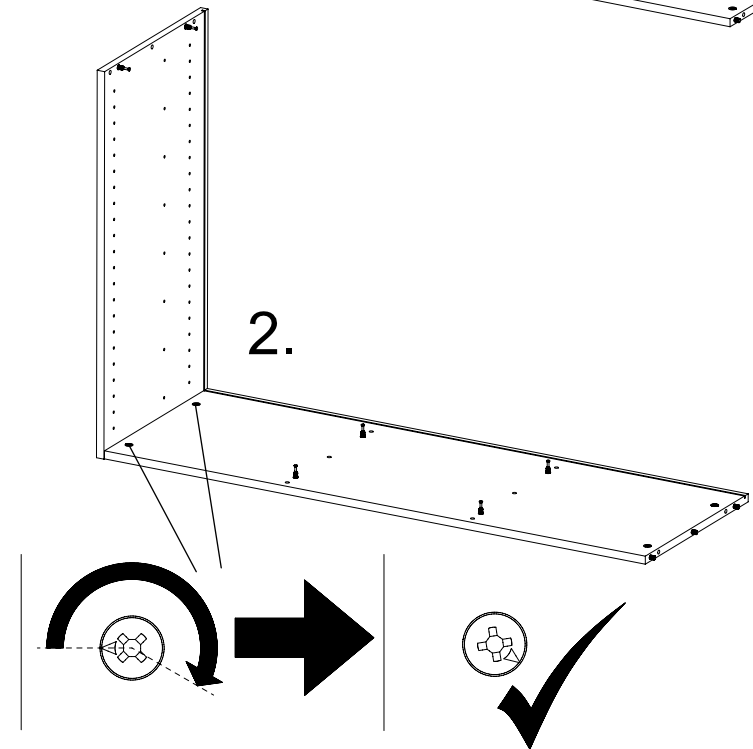
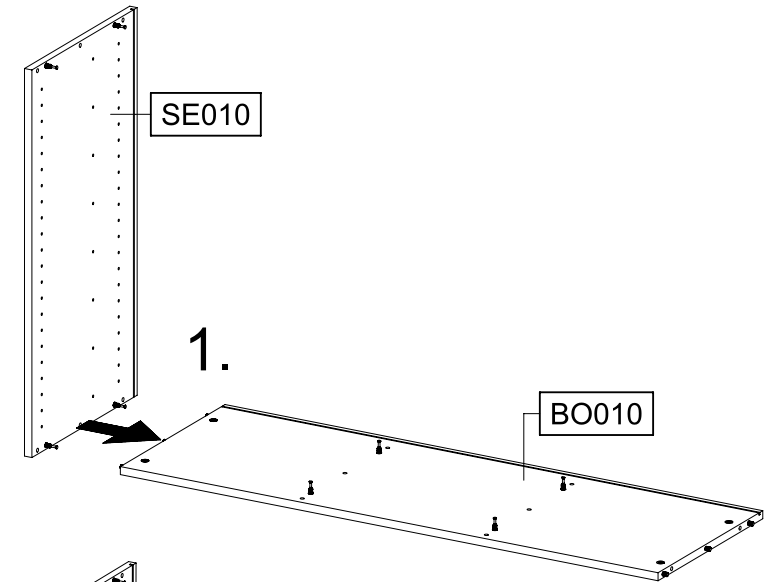
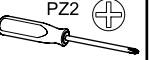
8x30



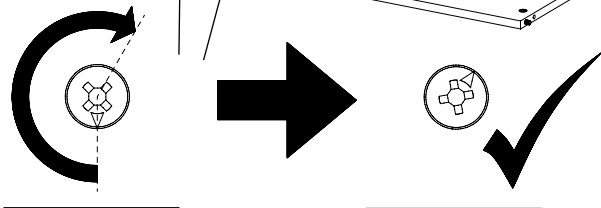
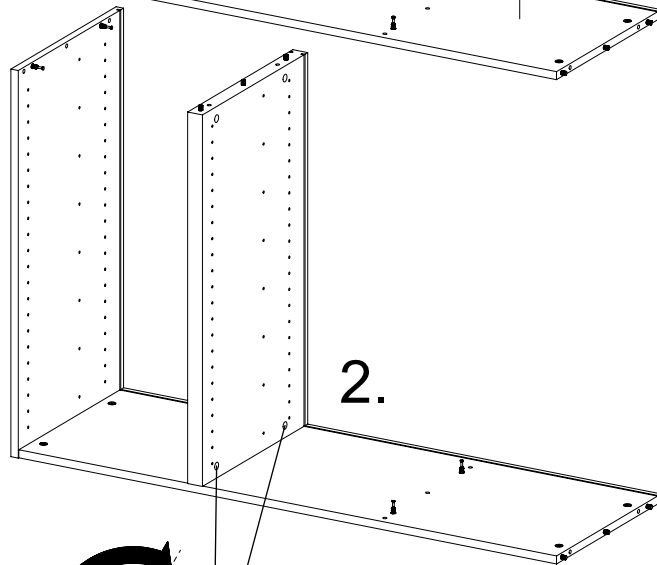
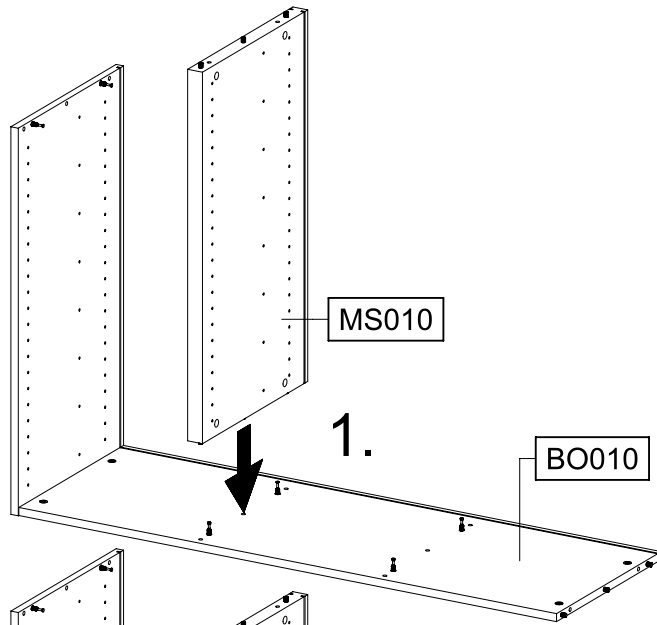
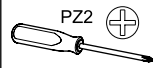
14

8x 1479 SE010  
SE020

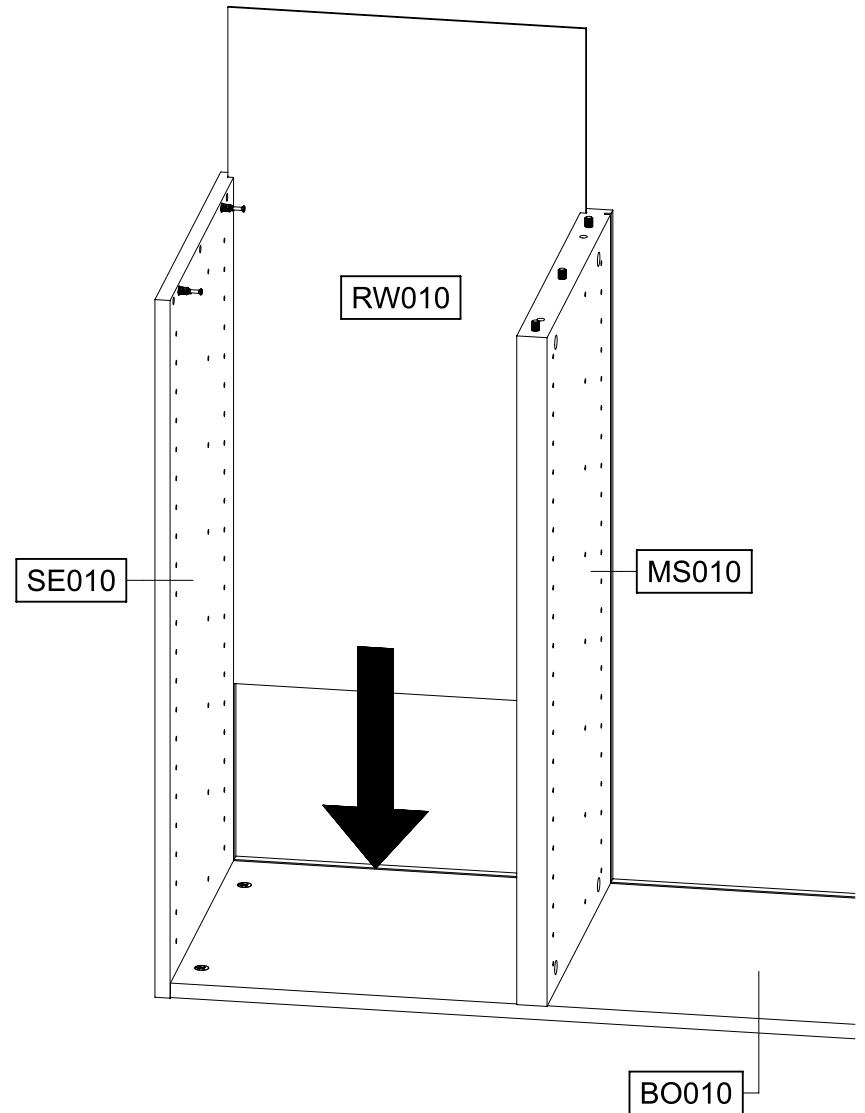
15

PZ2 

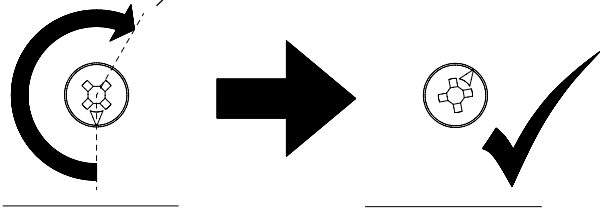
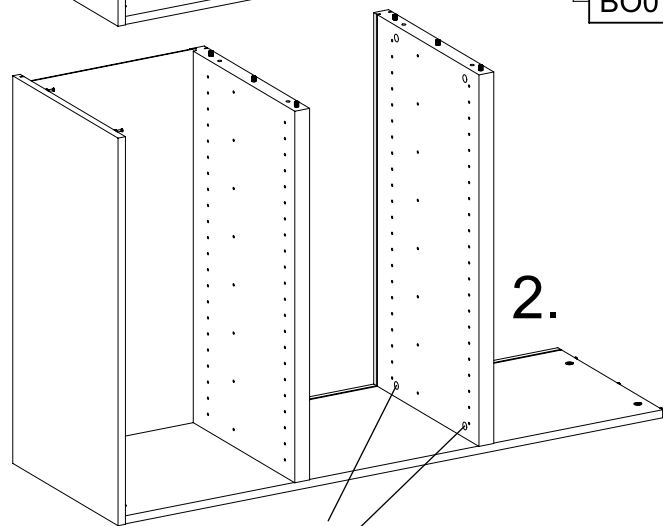
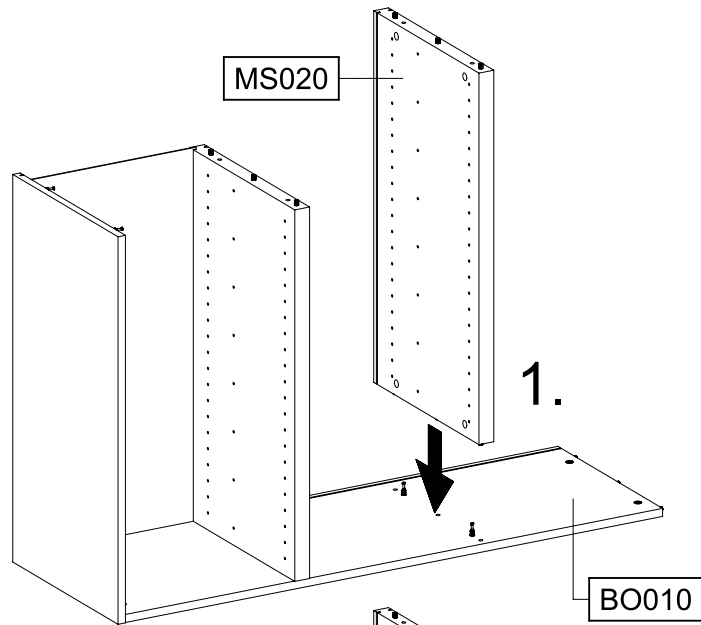
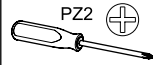
16



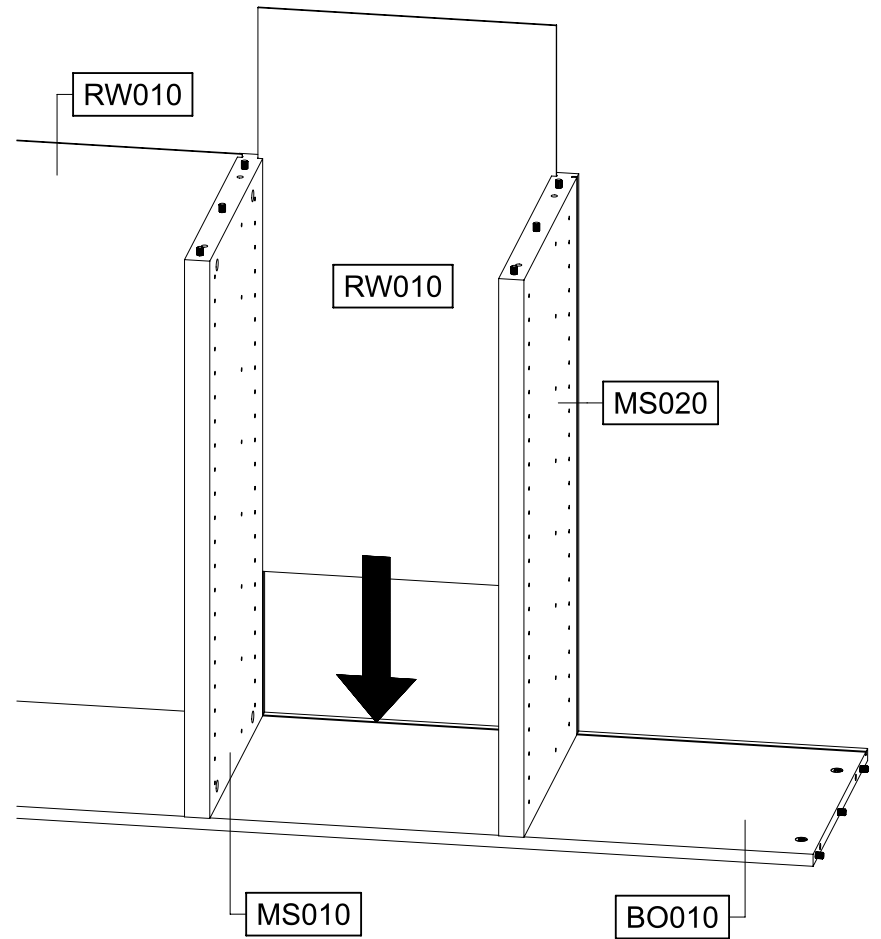
17



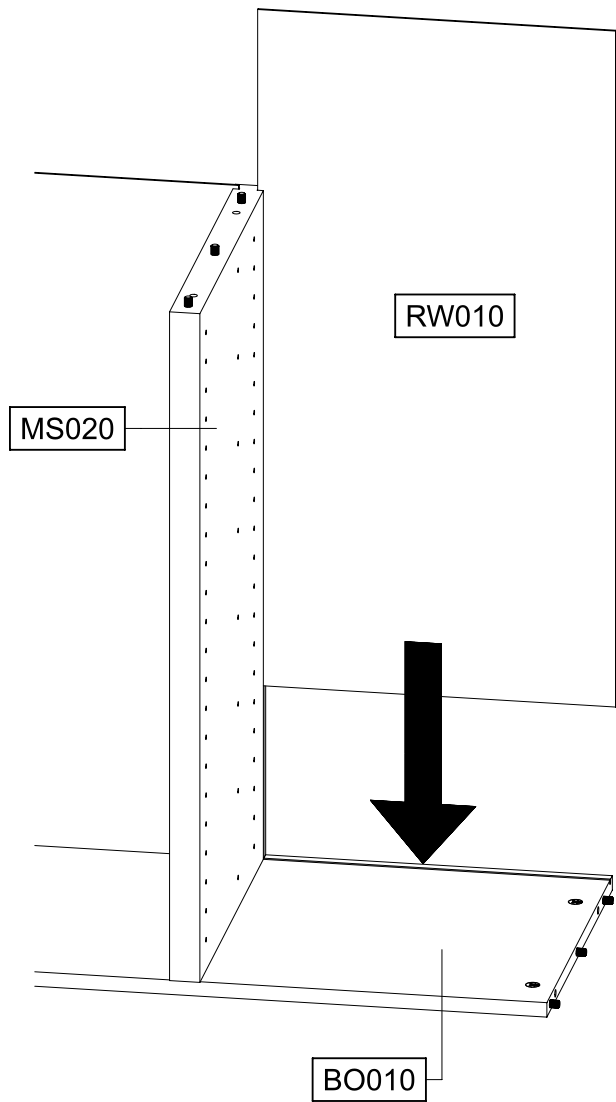
18



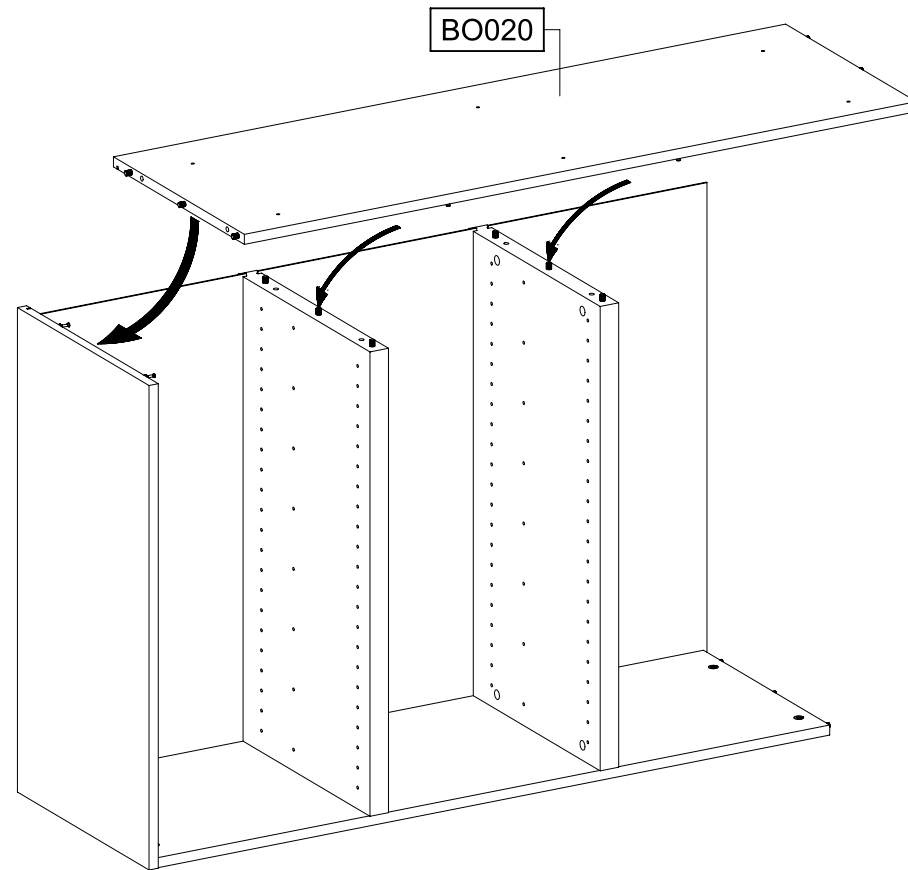
19



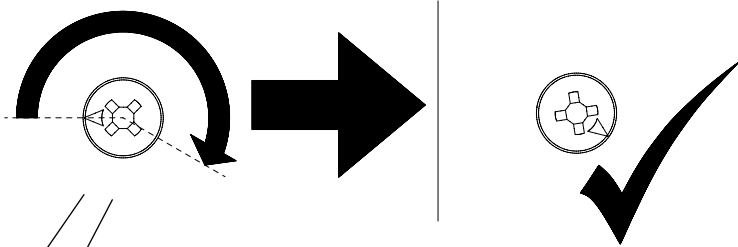
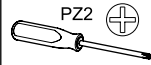
20



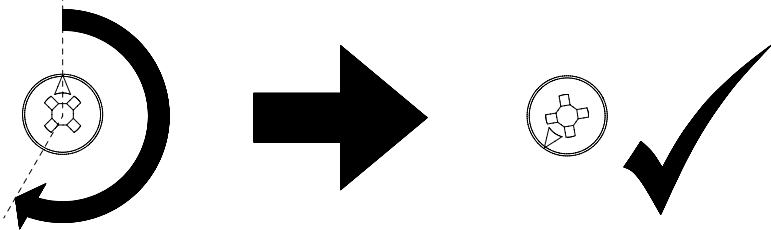
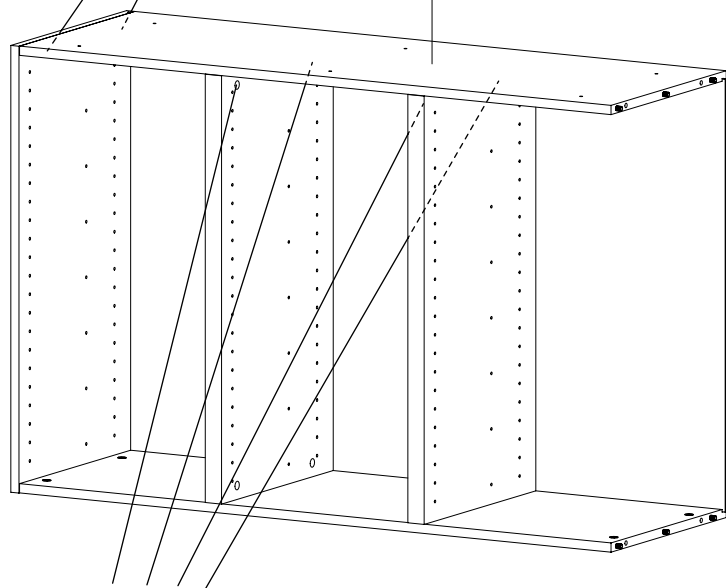
21



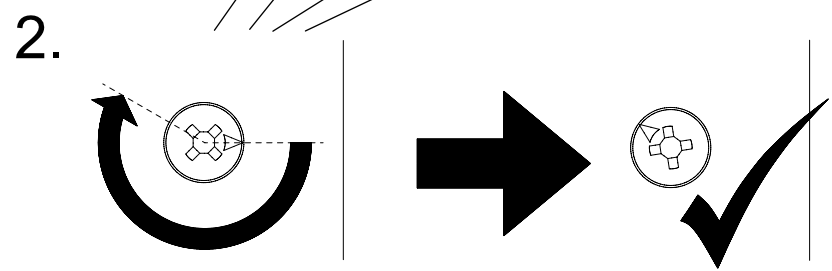
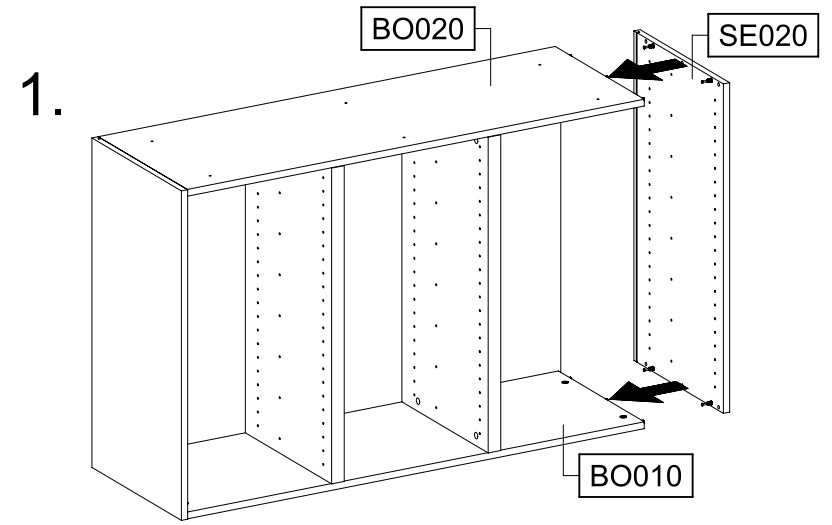
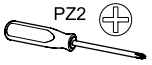
22



BO020



23

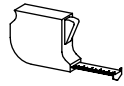


24

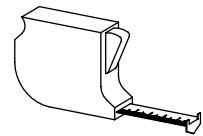
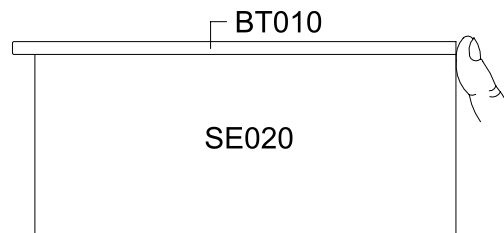
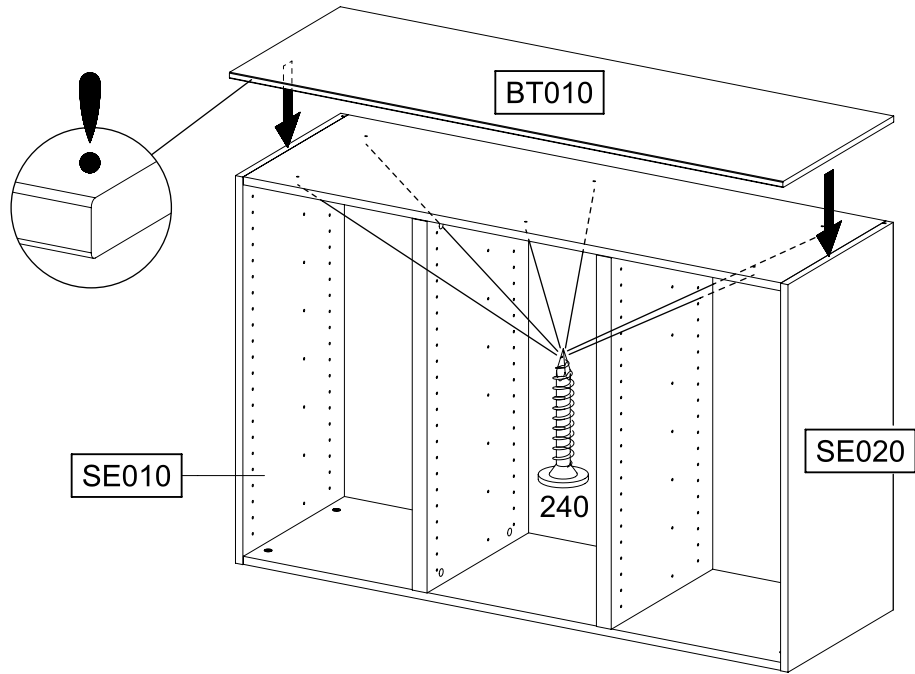
8x

240

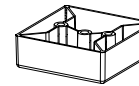
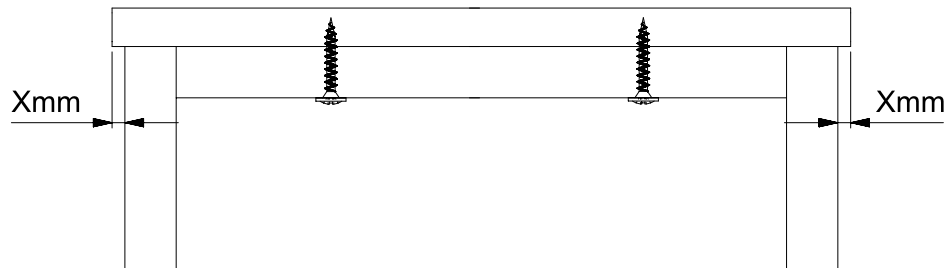
4x25



PZ2



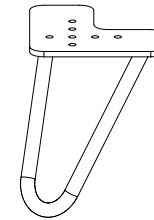
Xmm=Xmm



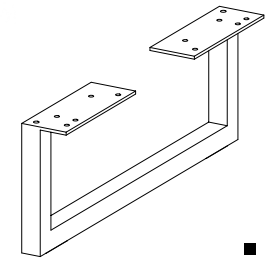
1207



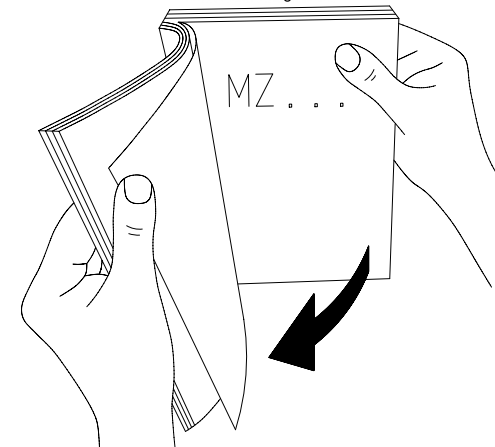
1481



1345

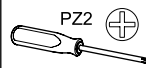
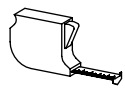


1348

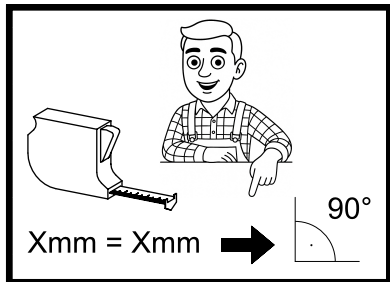


25

12x 45

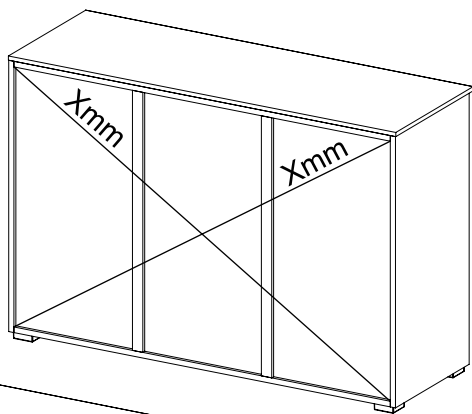


PZ2

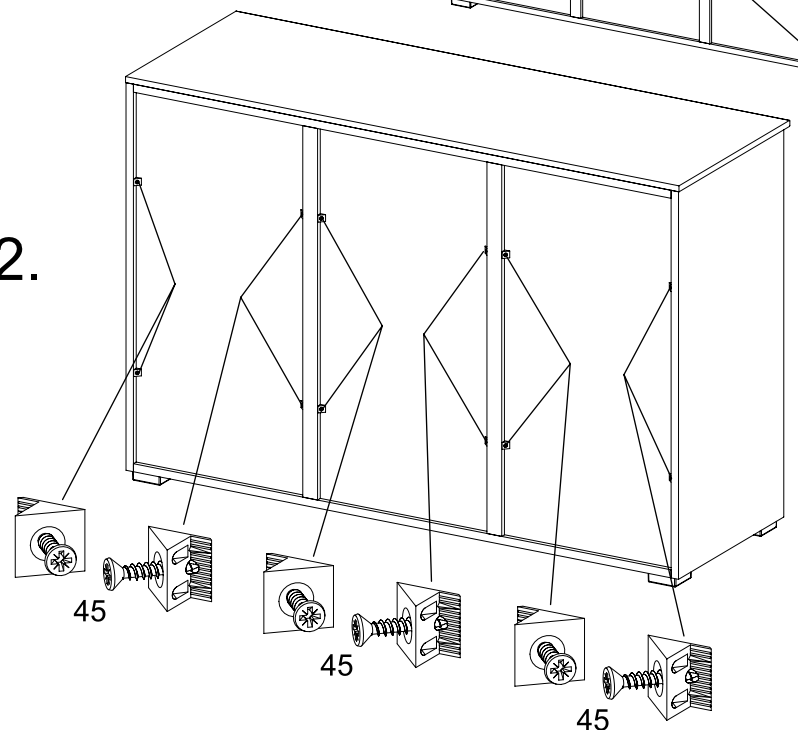


90°

1.



2.

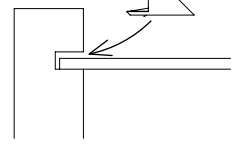


45

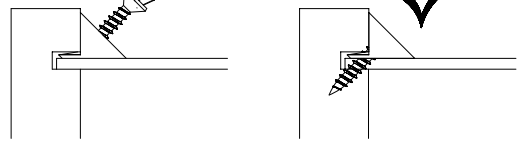
45

45

2.



3.



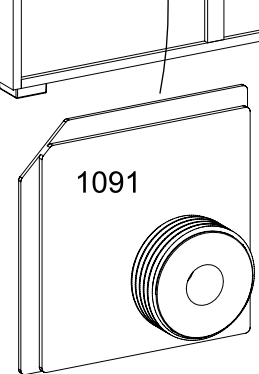
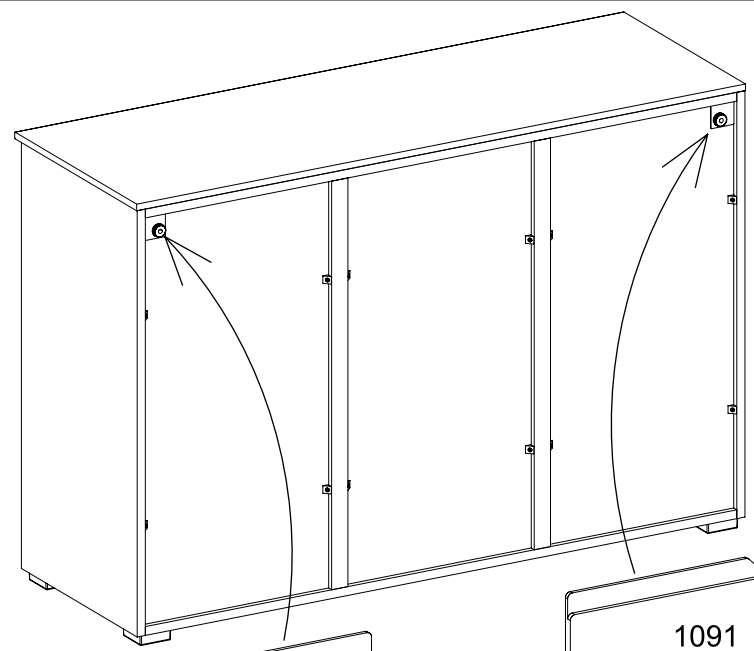
26

2x

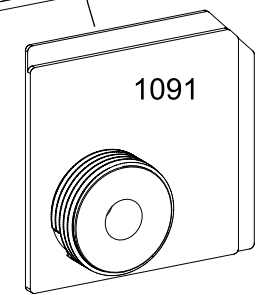
1091



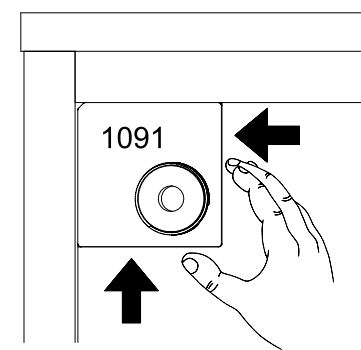
SCAN ME



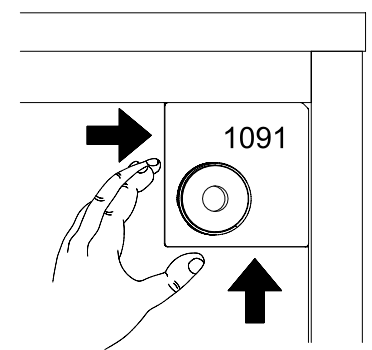
1091



1091



1091



1091

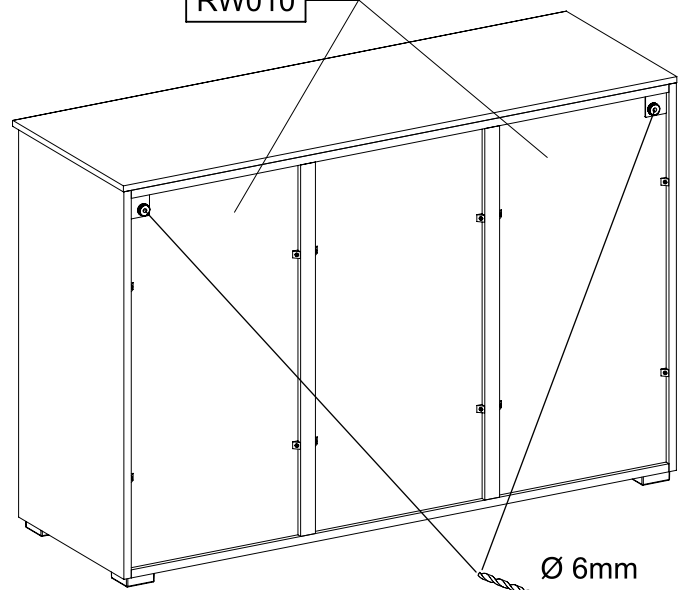


27

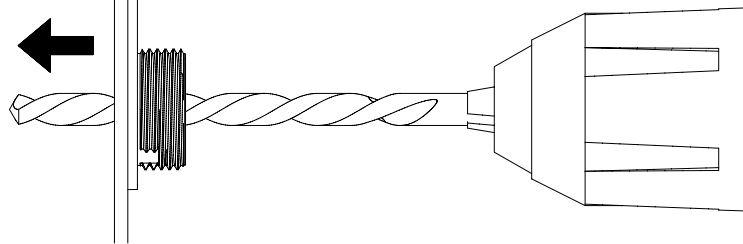
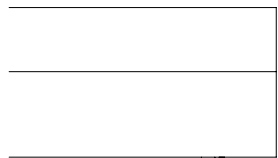


Ø6mm

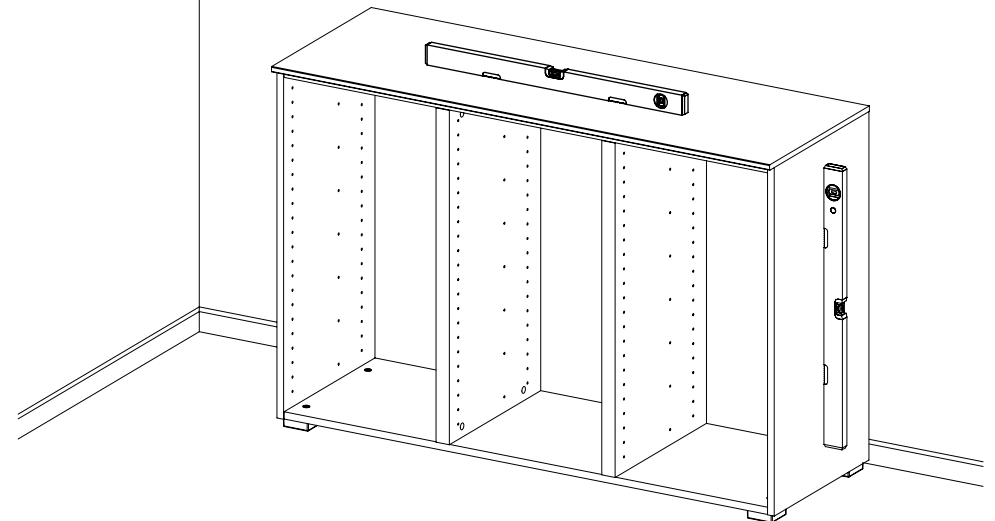
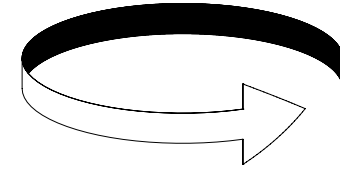
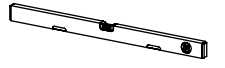
RW010



Ø 6mm



28



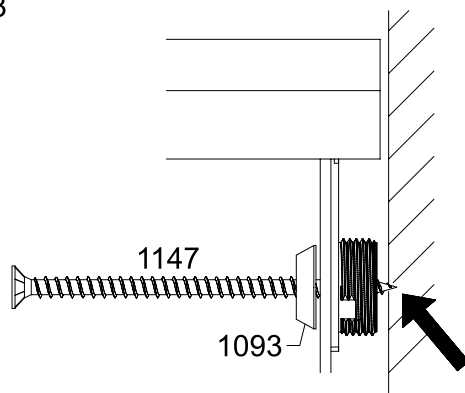
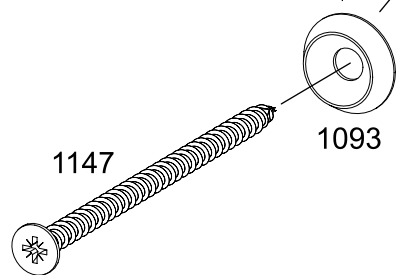
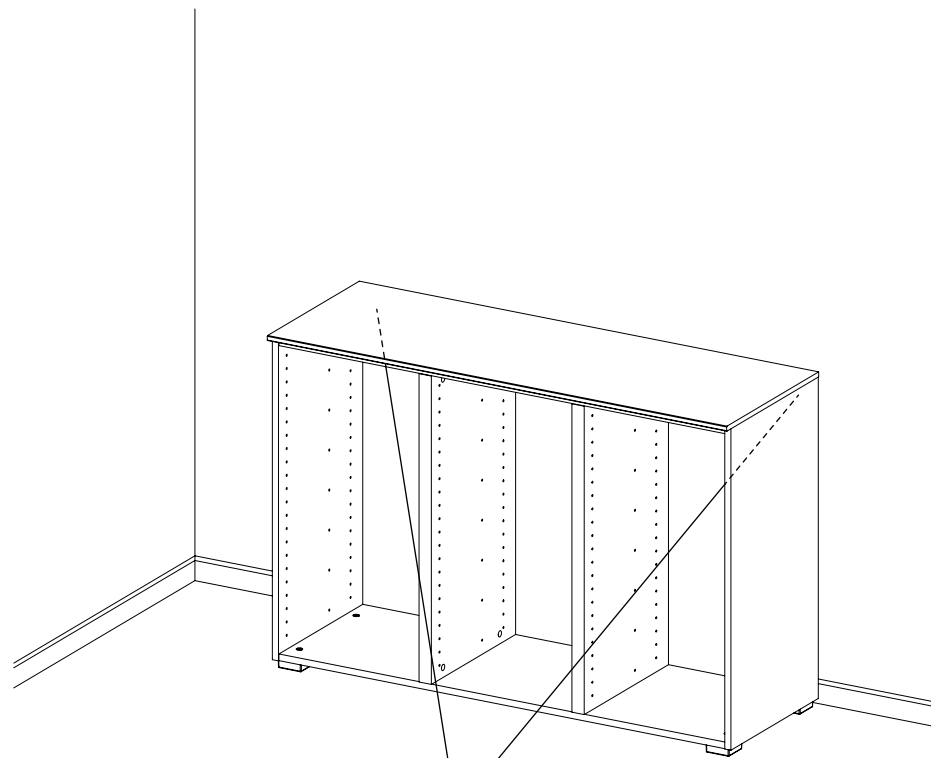
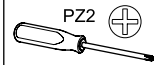
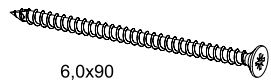
29

2x 1093



2x 1147

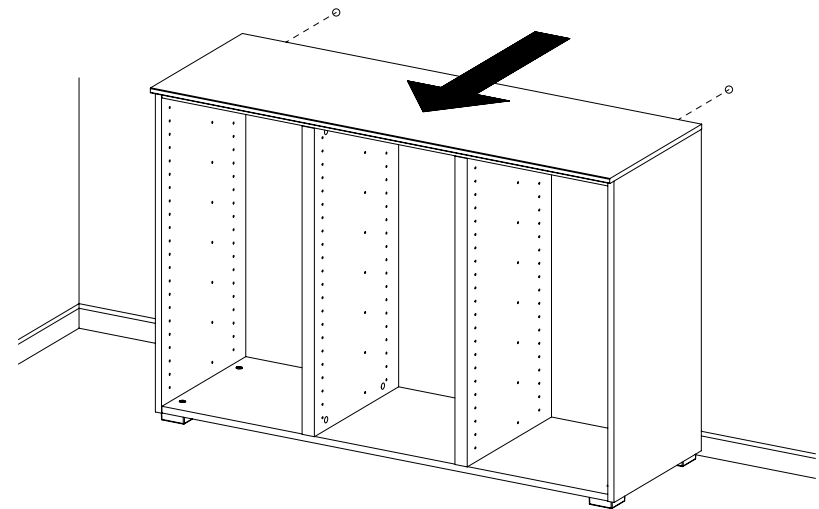
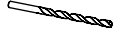
6,0x90



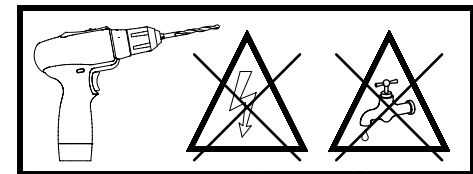
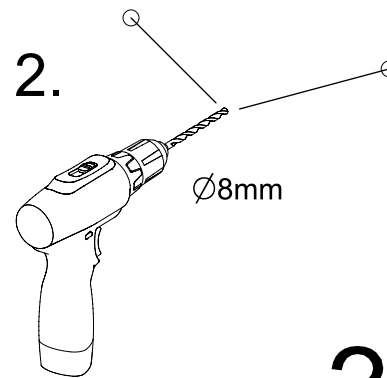
30



Ø8mm

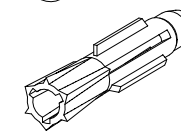
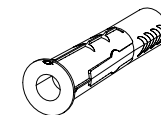
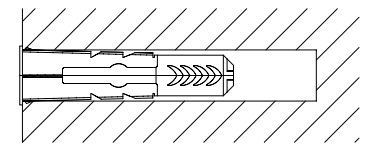


2.



?

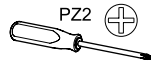
3.



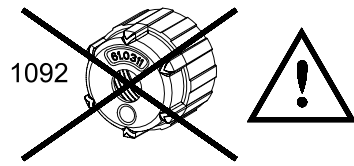
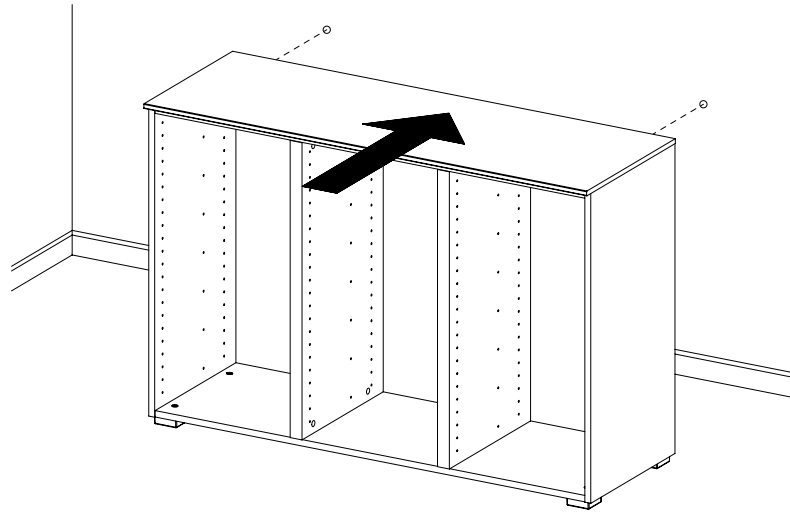
Ø8mm

31

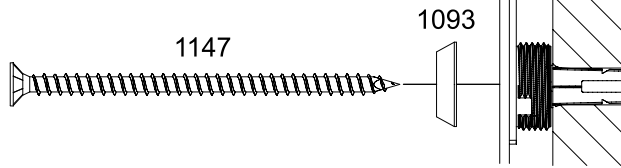
2x 1092



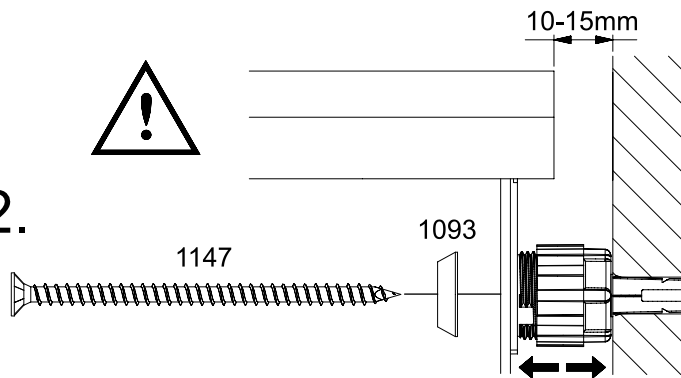
1.



2.



2.

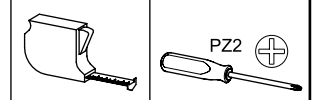
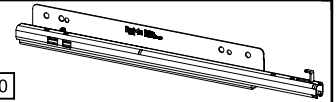


32

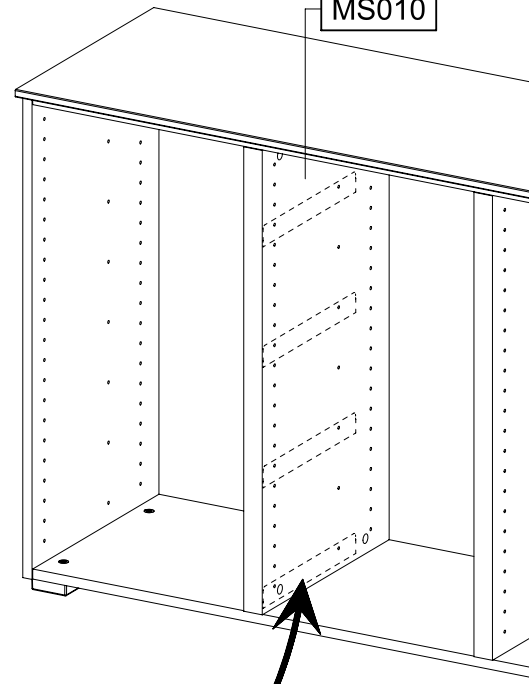
8x 792 6,3x9

8x 836 4x15

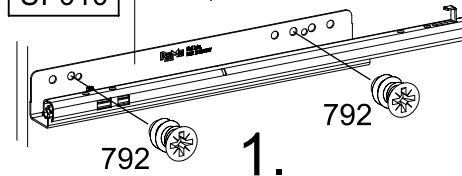
4x UF010



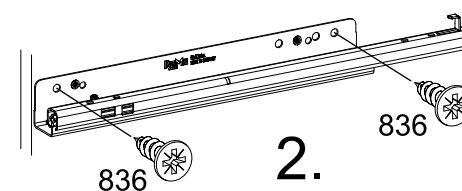
MS010



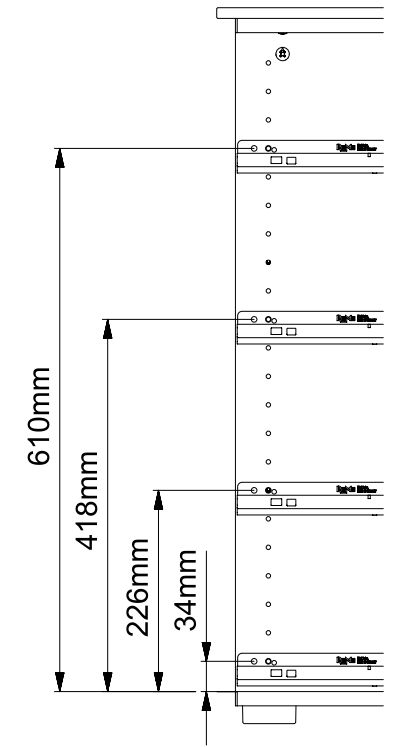
UF010



1.



2.

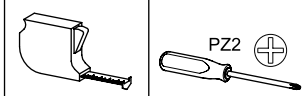
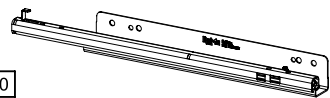


33

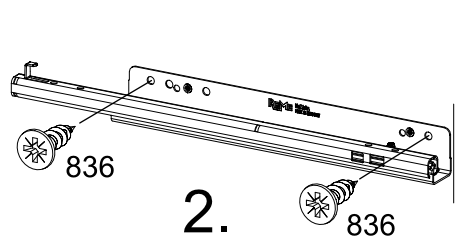
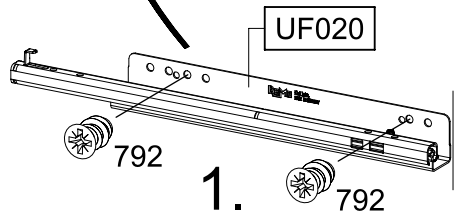
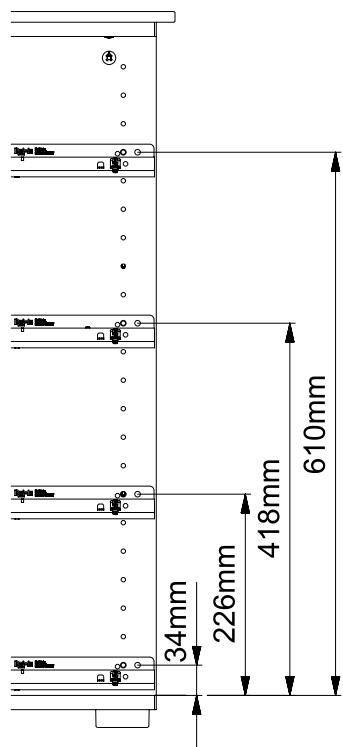
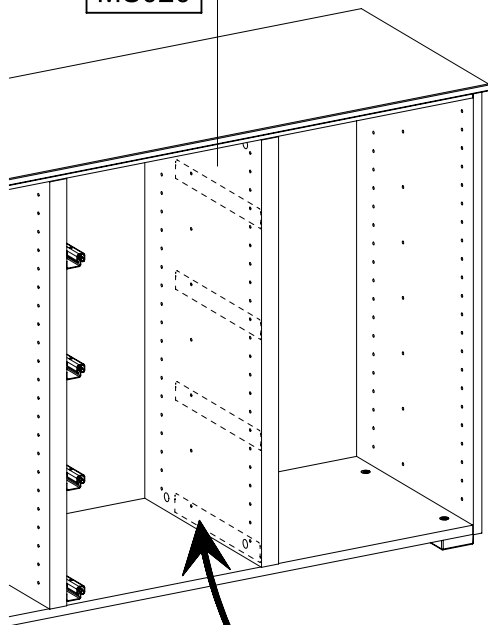
8x 792 6,3x9

8x 836 4x15

4x UF020

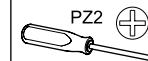
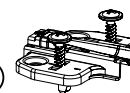


MS020

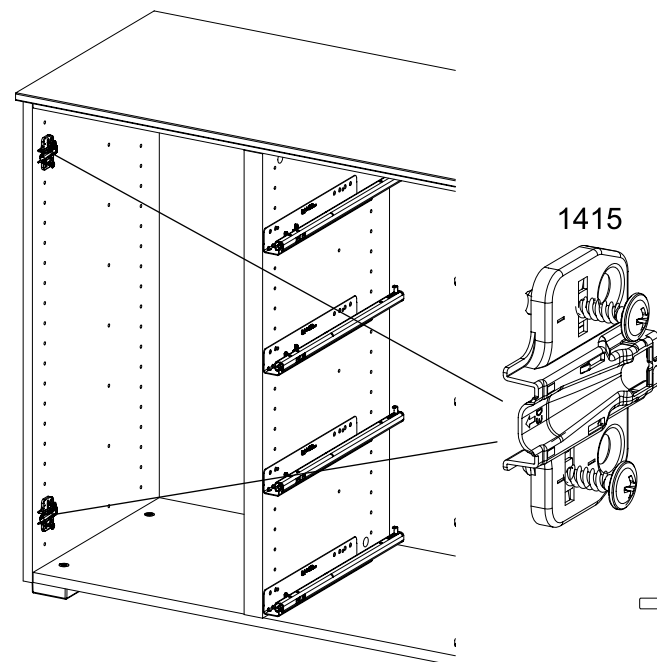


34

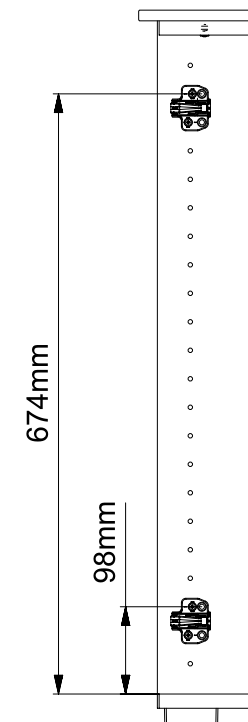
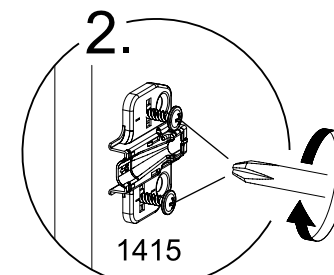
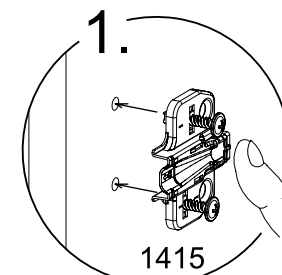
2x 1415

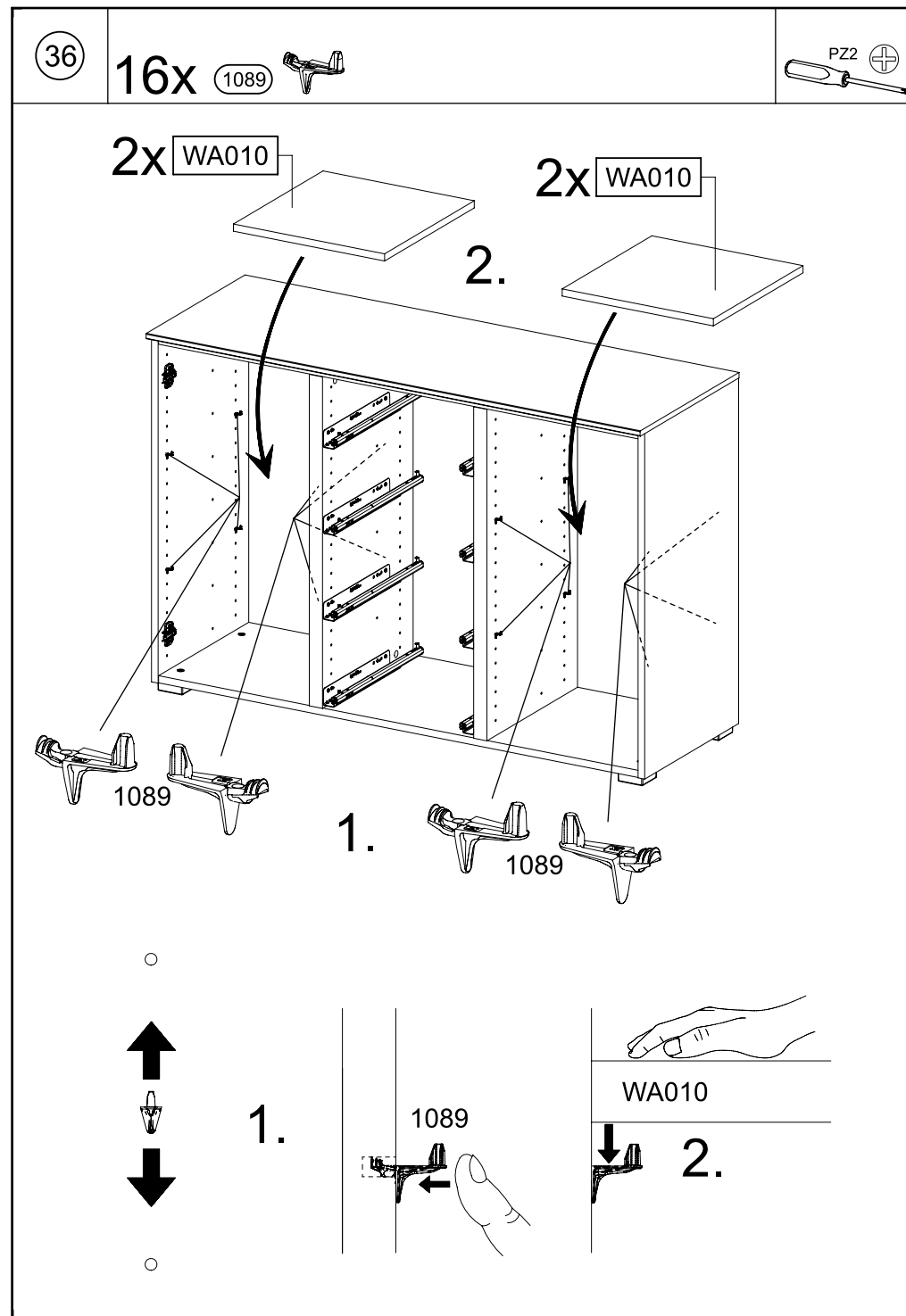
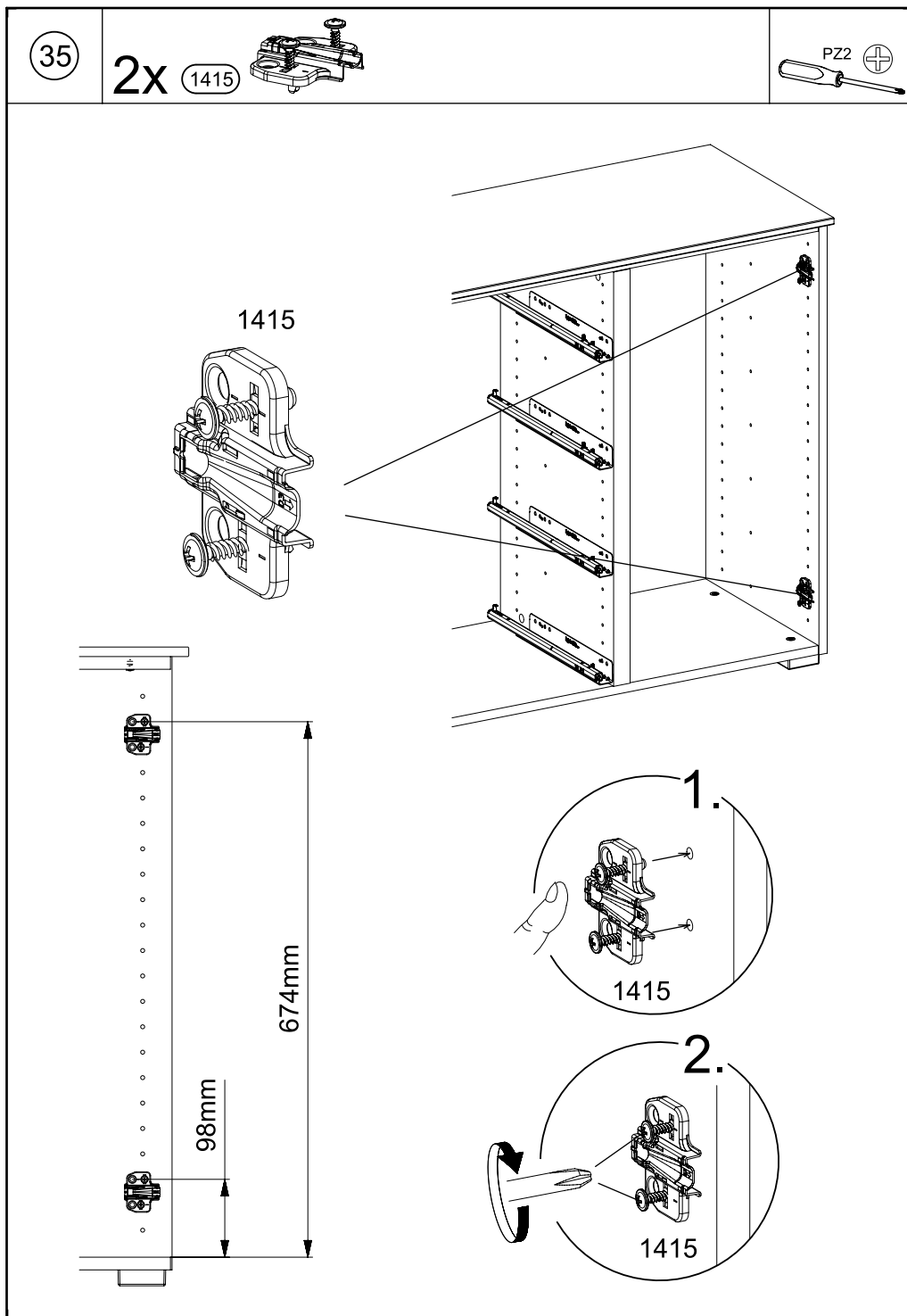


SCAN ME

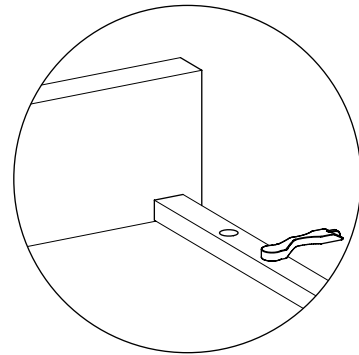
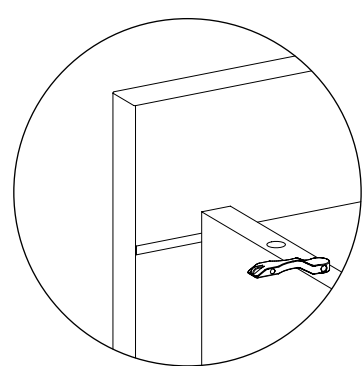
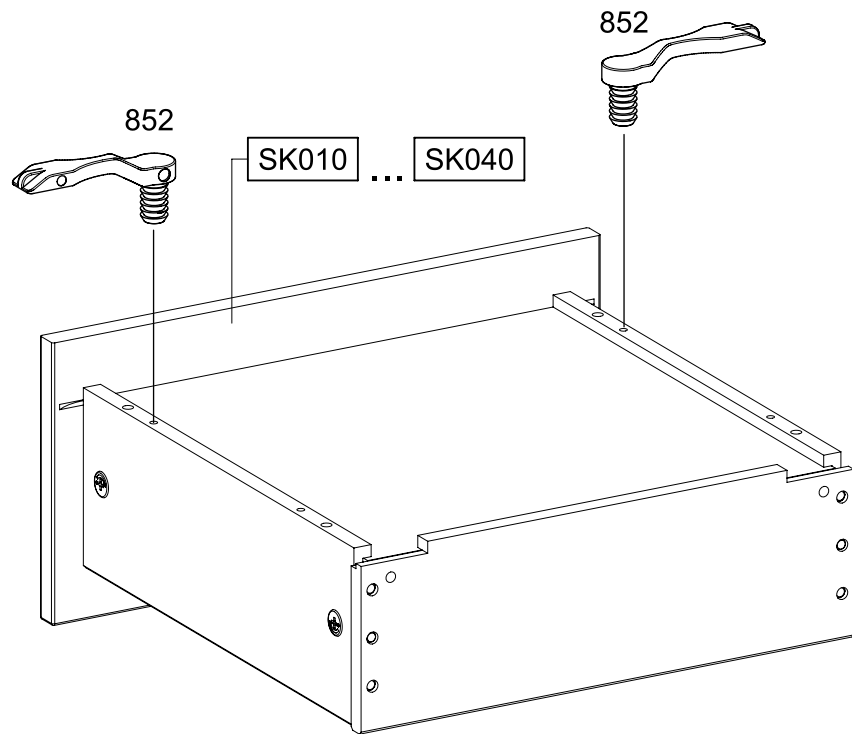


1415

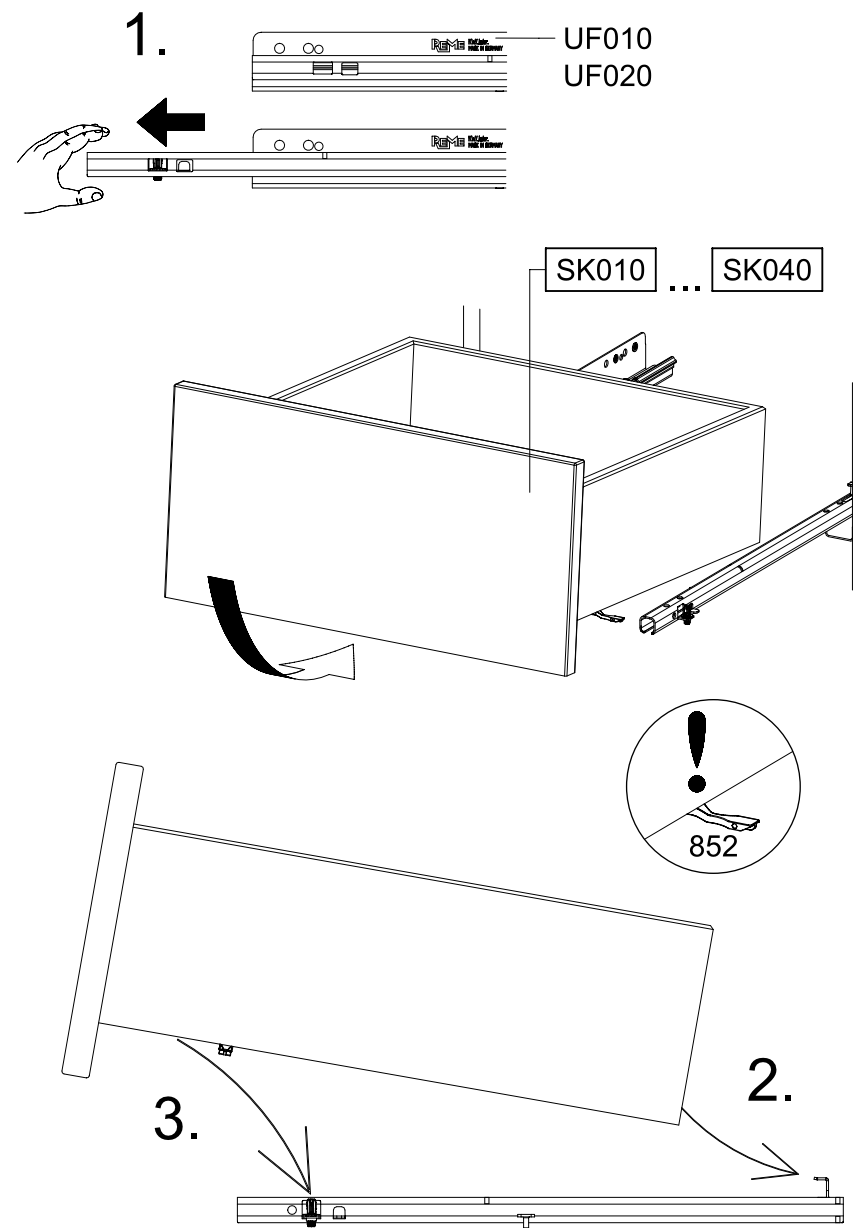




37

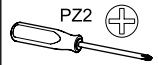
8x 852 

38

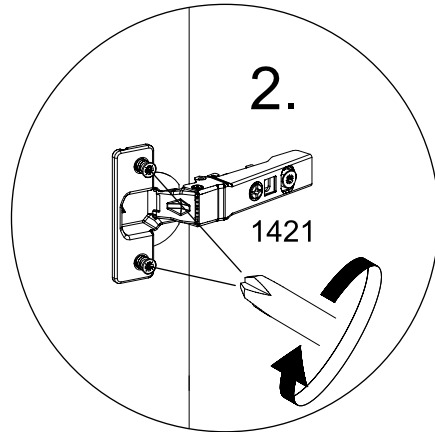
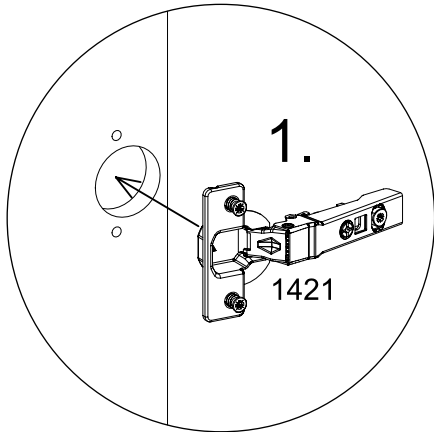
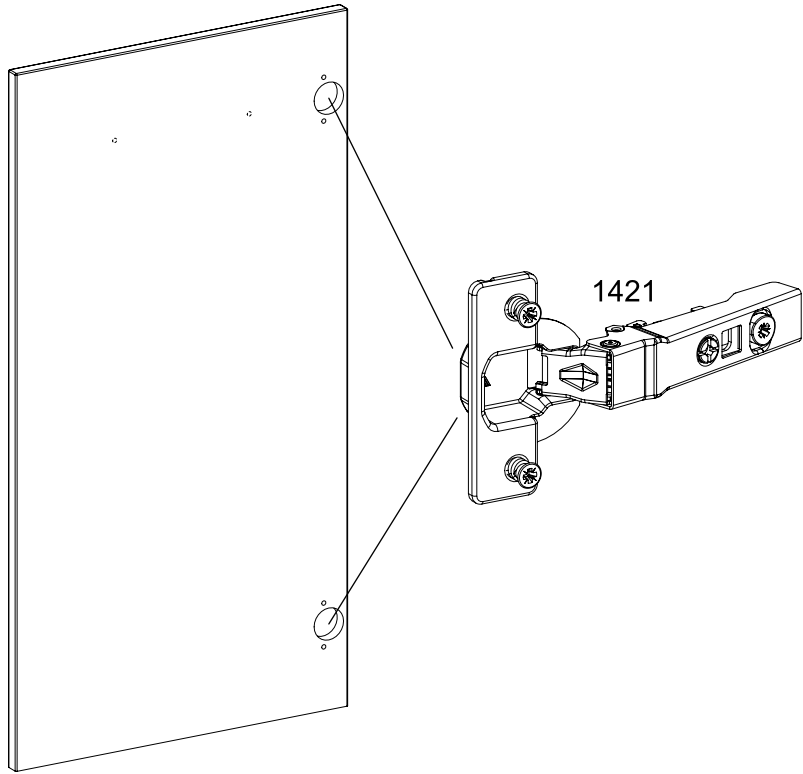


39

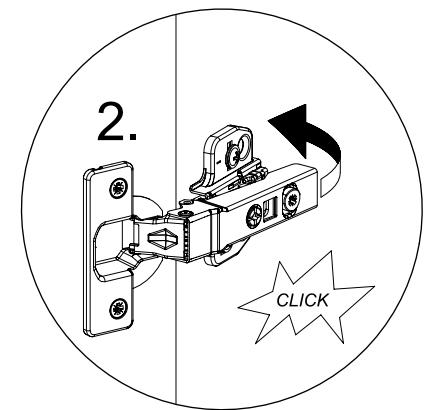
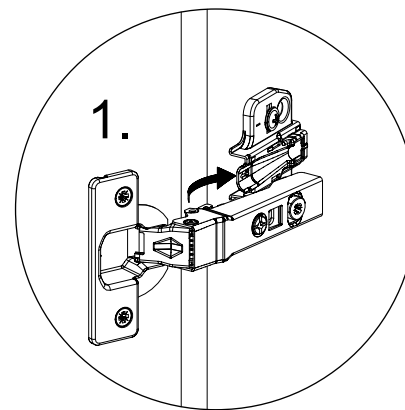
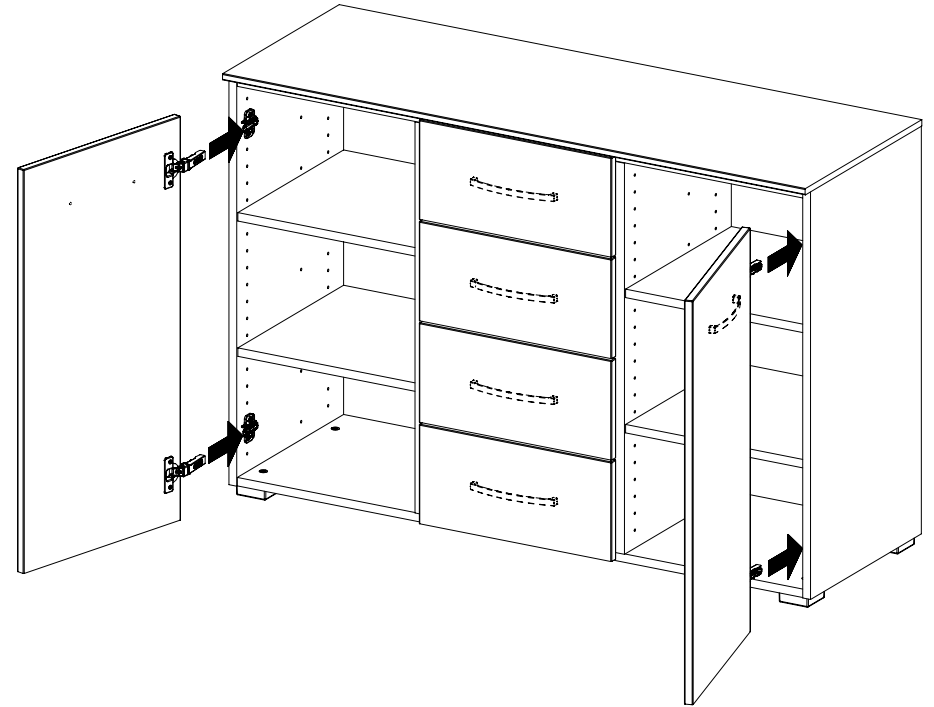
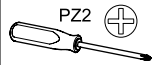
4x 1421



SCAN ME



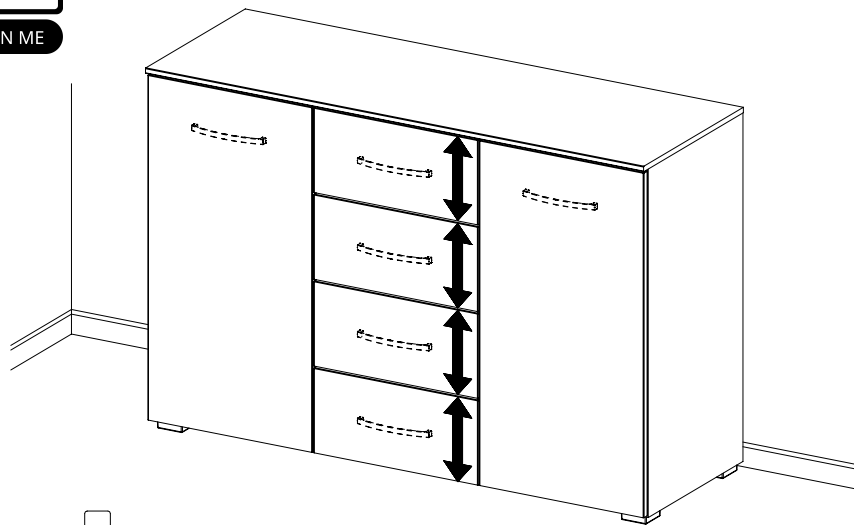
40



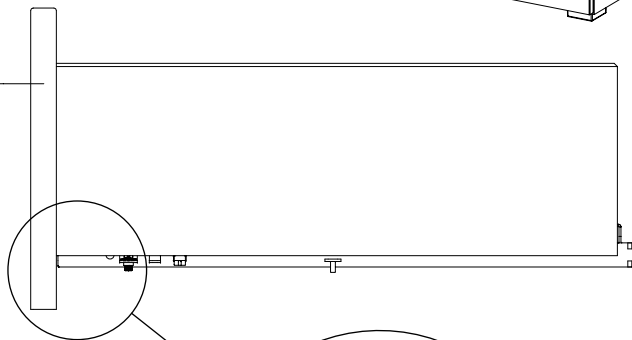
41



SCAN ME

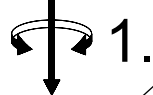
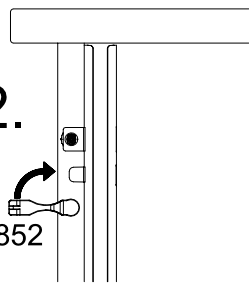


SK010  
SK020  
SK030  
SK040



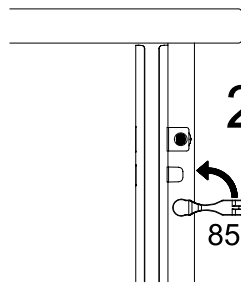
2.

852



2.

852



42



SCAN ME

