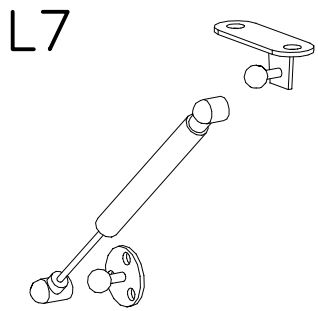
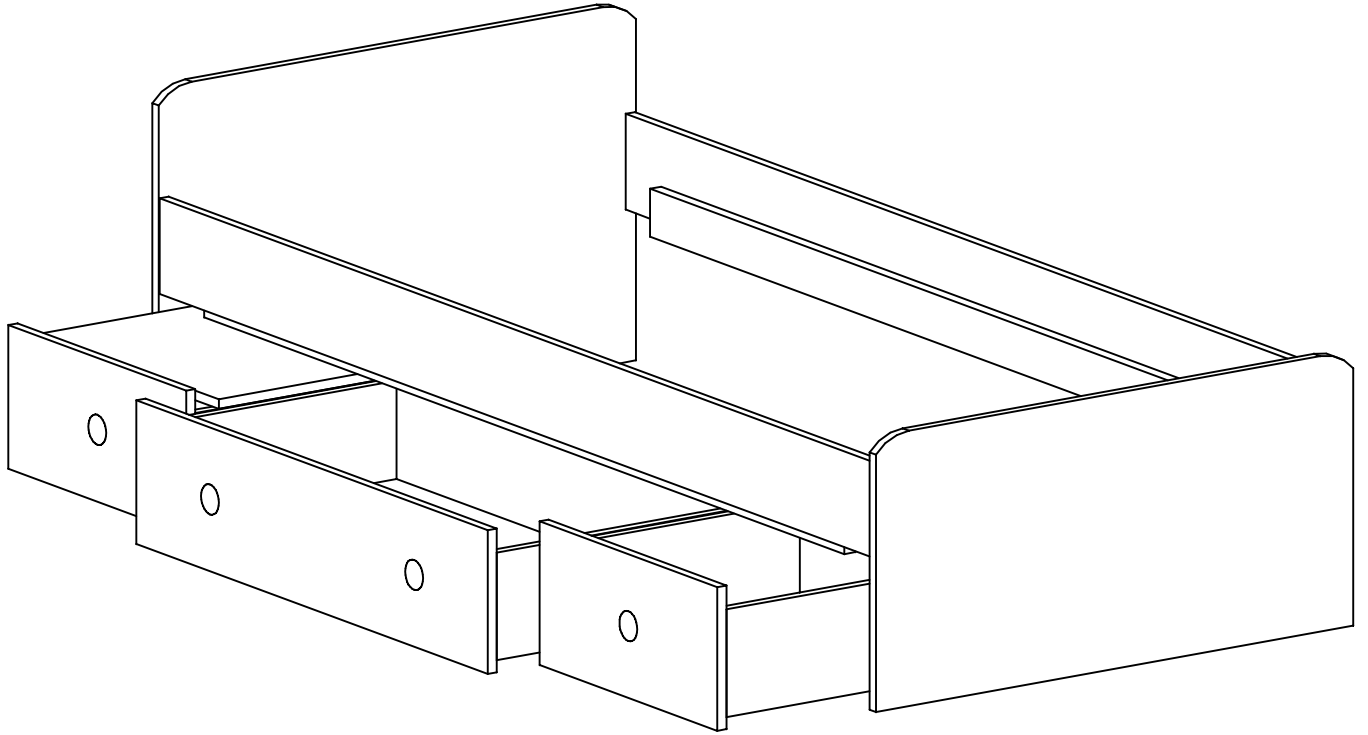
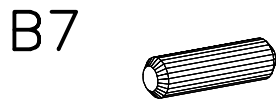


DIRK

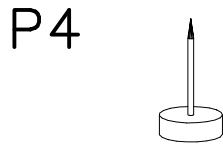
DIRK 1/3



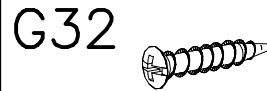
x1



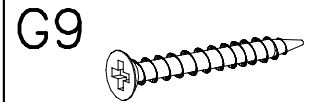
ø8 x 24 x8



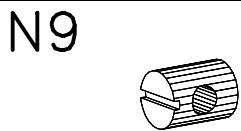
x6



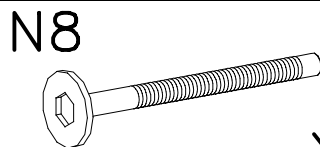
3,5 x 16 x5



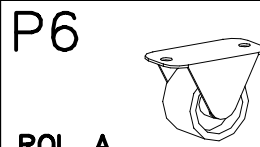
4 x 35 x10



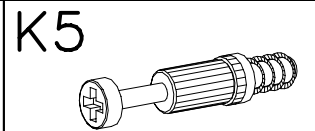
x8



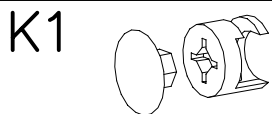
x8



ROL_A x12



x12



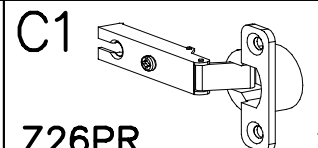
ø15 x 12 x12



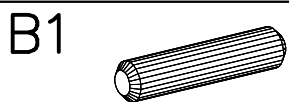
4 x 16 x24



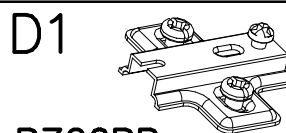
4 x 13 x4



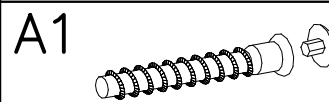
Z26PR x2



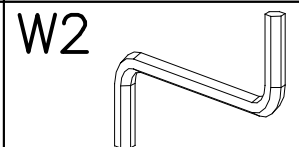
ø8 x 35 x48



PZ26PR x2



ø7 x 50 x12



x1

DIRK 2/3

1

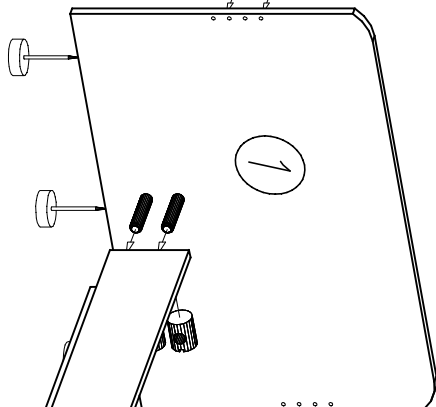
G9

X2

2

N8

1



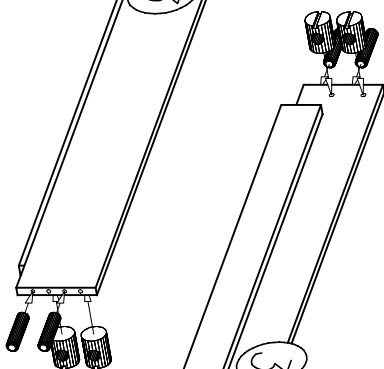
3

3

N9

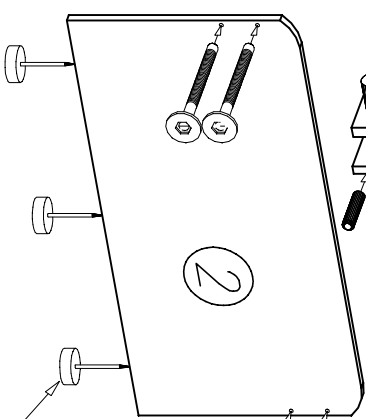
B1

N8



3

2

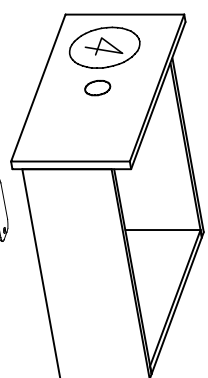
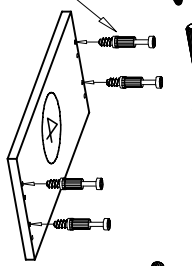
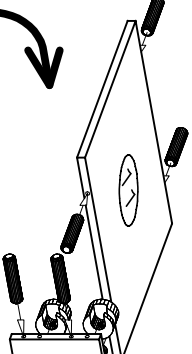


B1

10

7

A1

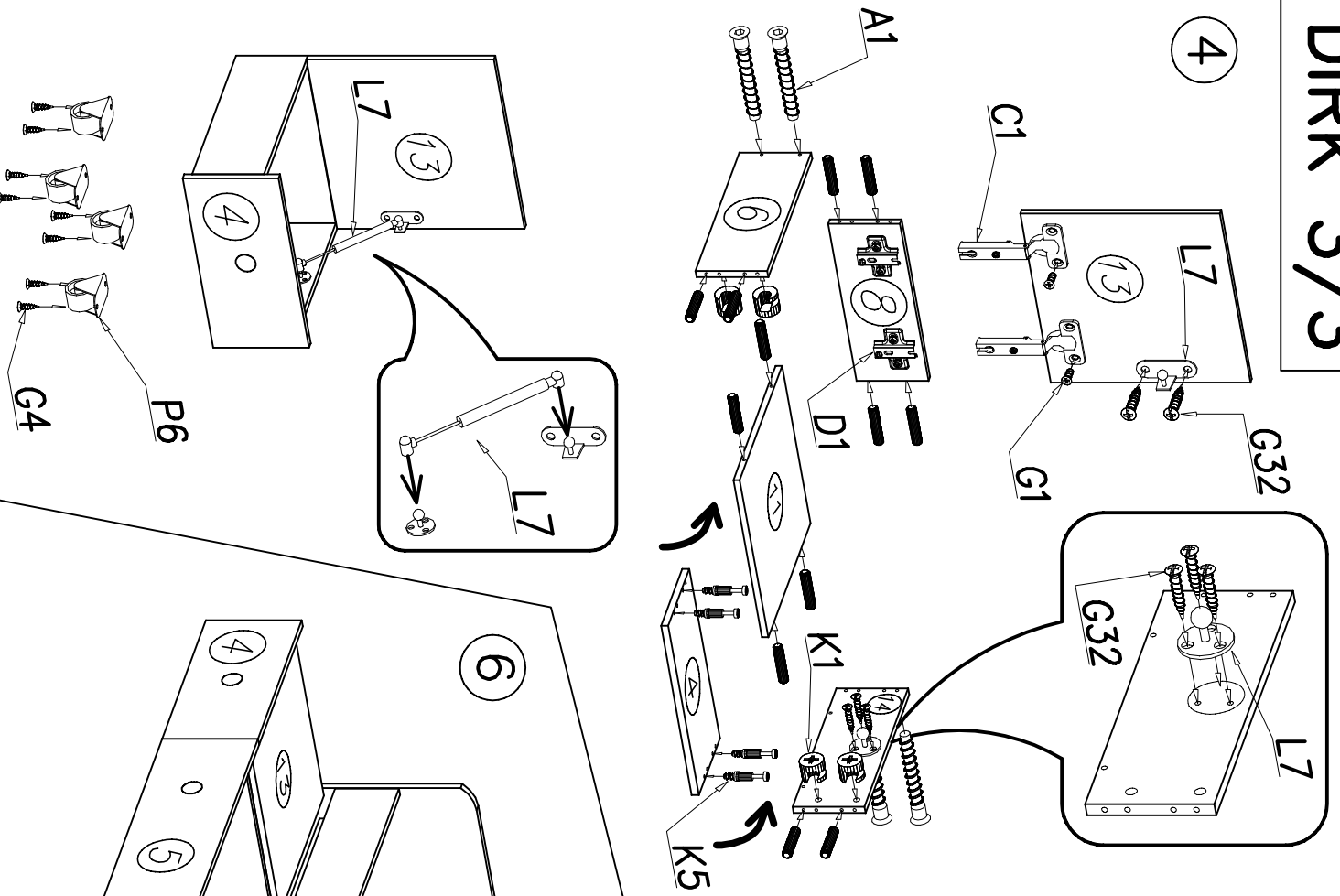


P6

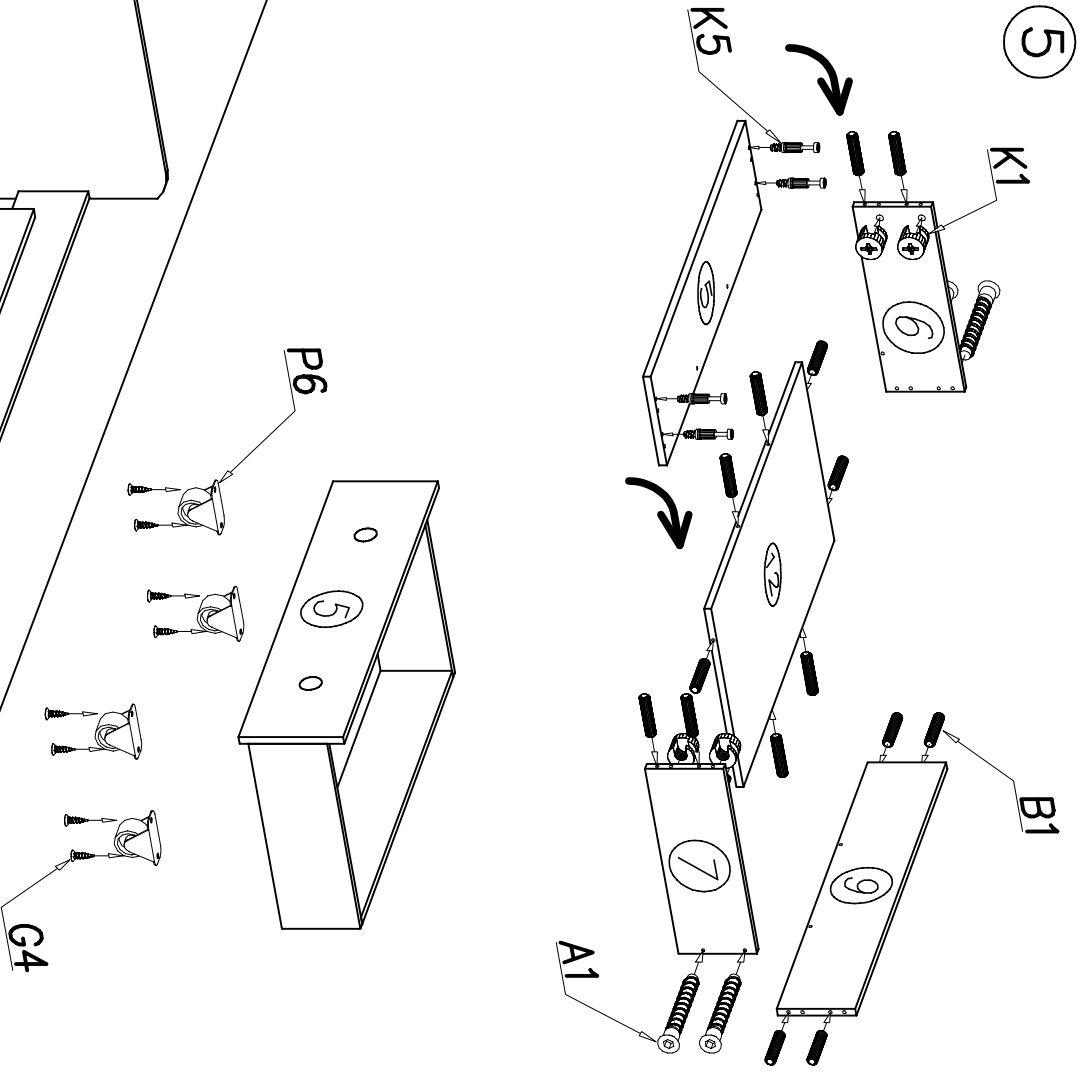
G4

DIRK 3/3

4



5



6

