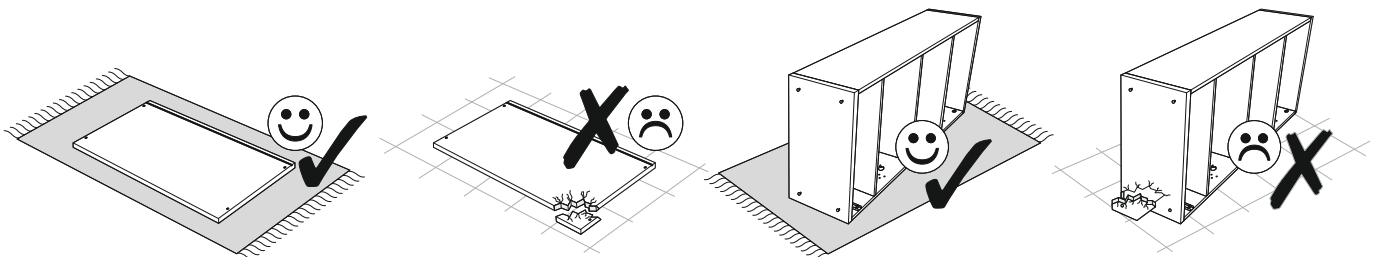
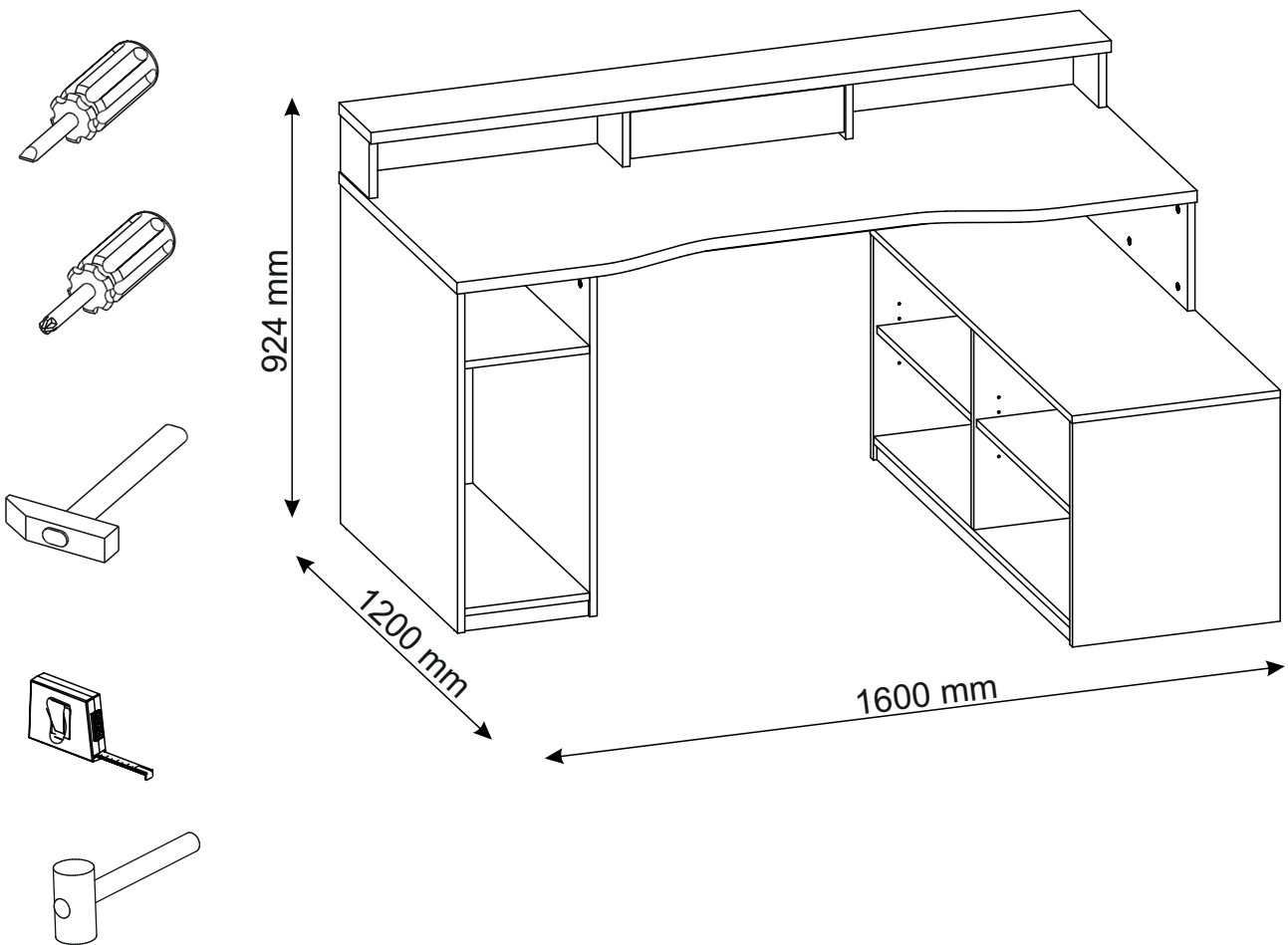
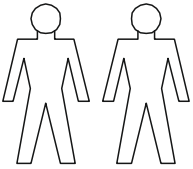
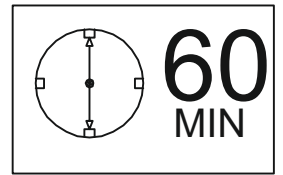


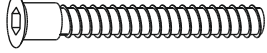
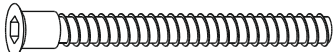


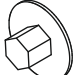




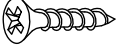
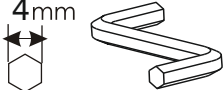



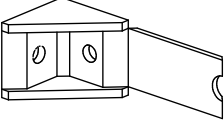

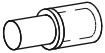
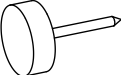
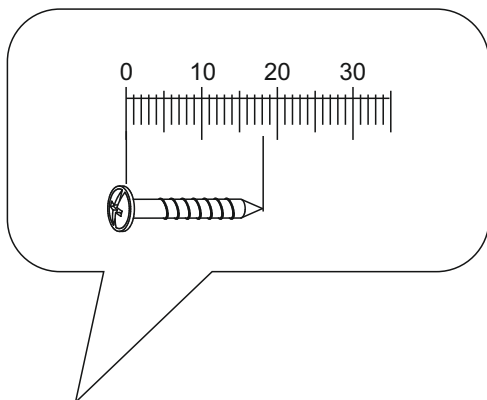


TEAMPLAYER




TEAMPLAYER

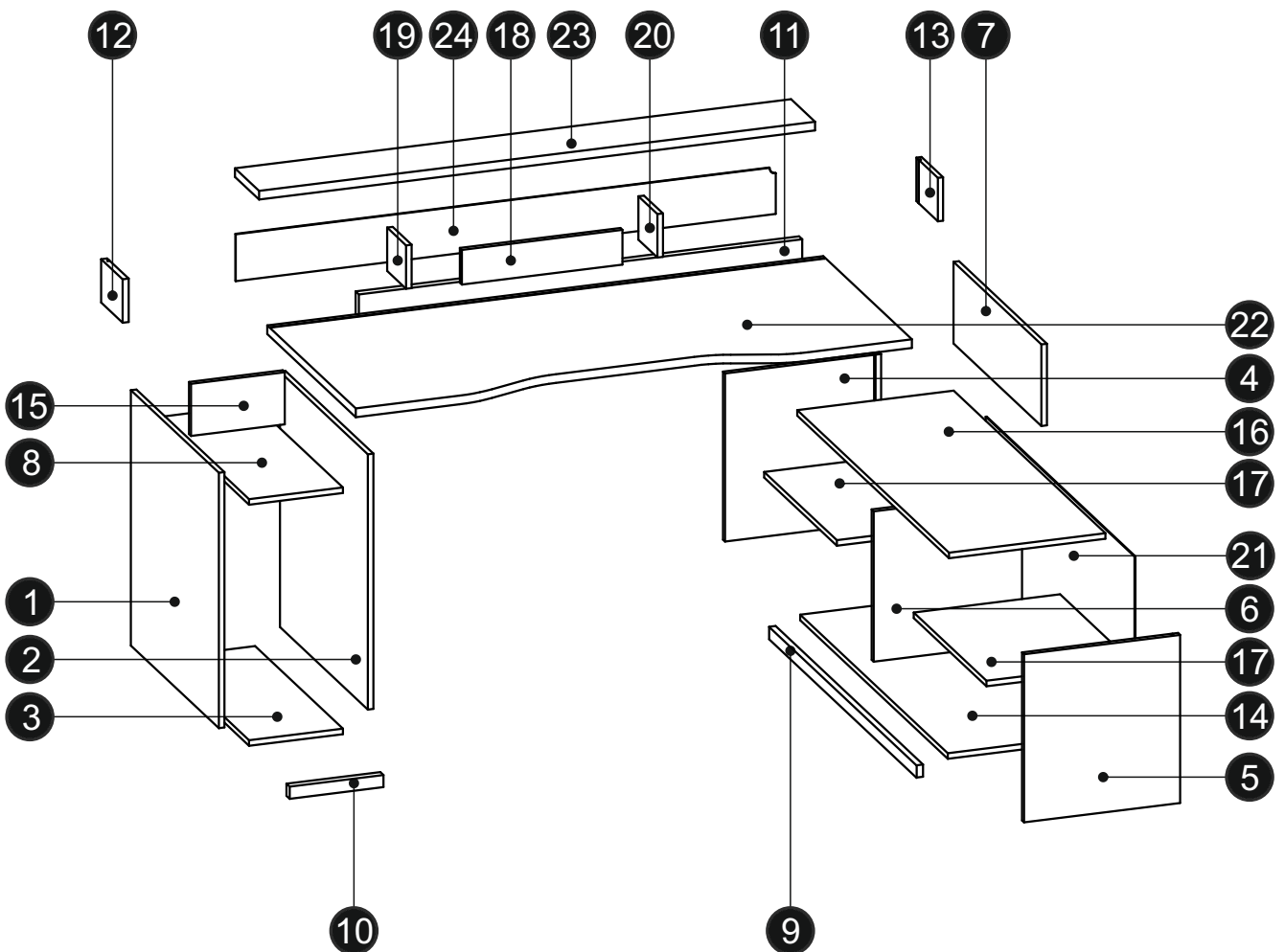
A0 8 x 30mm x60 	B0  x4	B1 6.4x 50 mm x4 
B2 f 7 x 70 mm x4 	B3  x4	C01  x34
C02  x4	C2  x48	C7 16mm  x48
D0 3 x 15 mm x14 	D4 3,5 x 18 mm x3 	D5 3,5 x 16 mm x12 
K 4mm  x1	J40  x2	M1  x14
P6  x1	P20  x4	Q3  x8
Q4  x2	T3  x15	

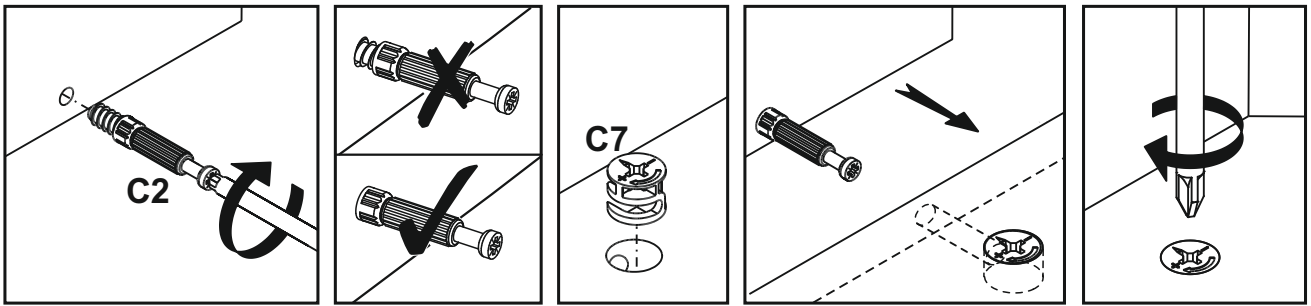



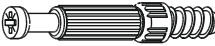
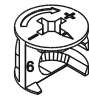
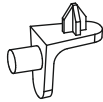
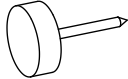
TEAMPLAYER

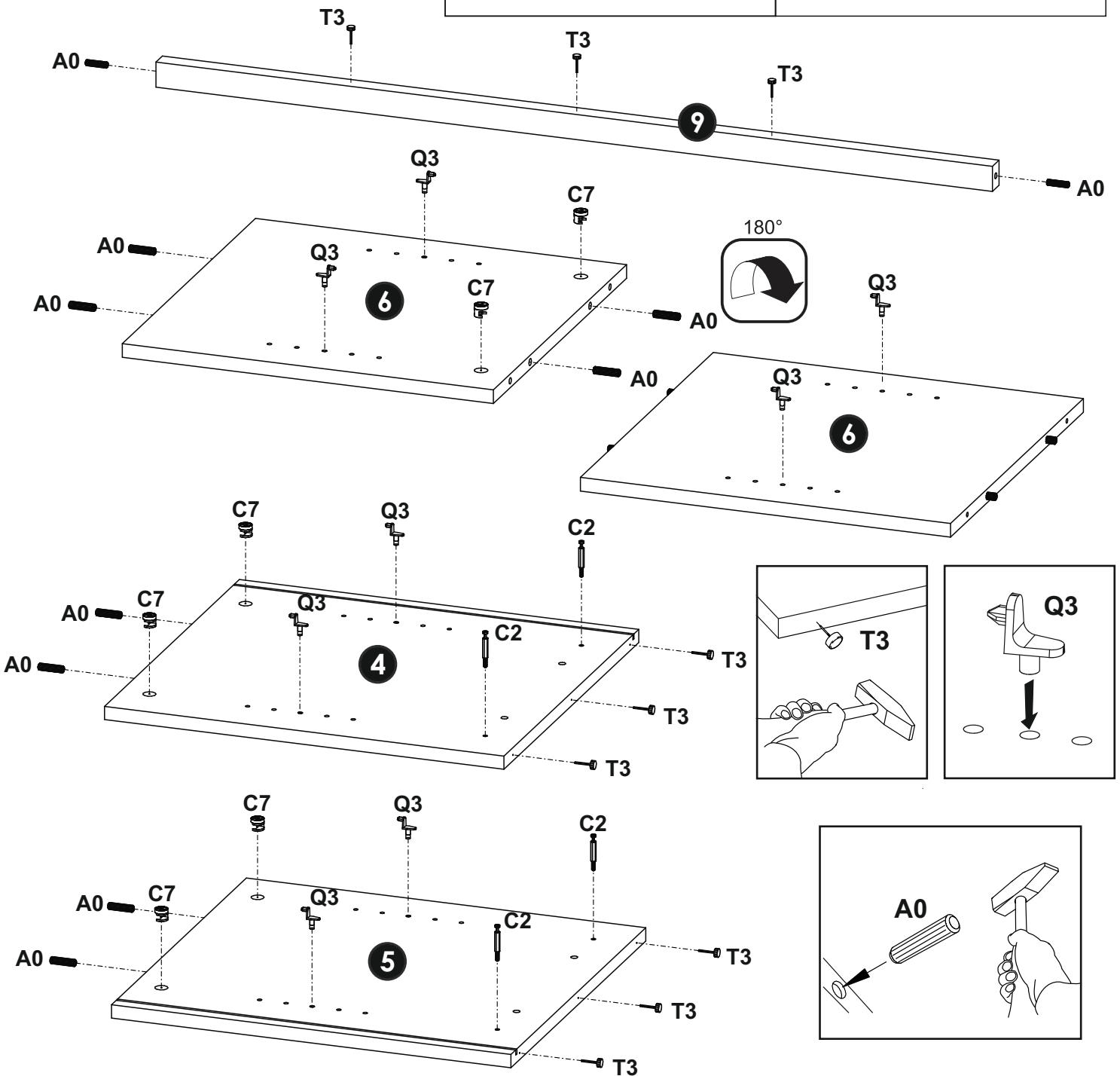
1	735	695	16	x1	1/3
2	735	695	16	x1	1/3
3	270	694	16	x1	1/3
4	484	449	16	x1	1/3
5	484	449	16	x1	1/3
6	433	427	16	x1	1/3
7	235	695	16	x1	1/3
8	270	694	16	x1	1/3
9	35	1166	16	x1	3/3
10	35	270	16	x1	3/3
11	1277	235	16	x1	2/3
12	134	172	16	x1	3/3
13	134	172	16	x1	3/3

14	448	1166	16	x1	2/3
15	150	270	16	x1	3/3
16	450	1200	16	x1	2/3
17	574,5	421	16	x2	2/3
18	462	109	16	x1	3/3
19	134	152	16	x1	3/3
20	134	152	16	x1	3/3
21	443	1176	3	x1	3/3
22	1600	700	25	x1	3/3
23	1600	190	25	x1	3/3
24	1573	144	3	x1	3/3
					1/3






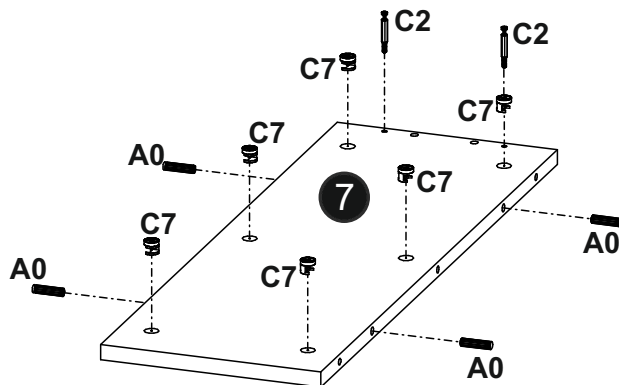
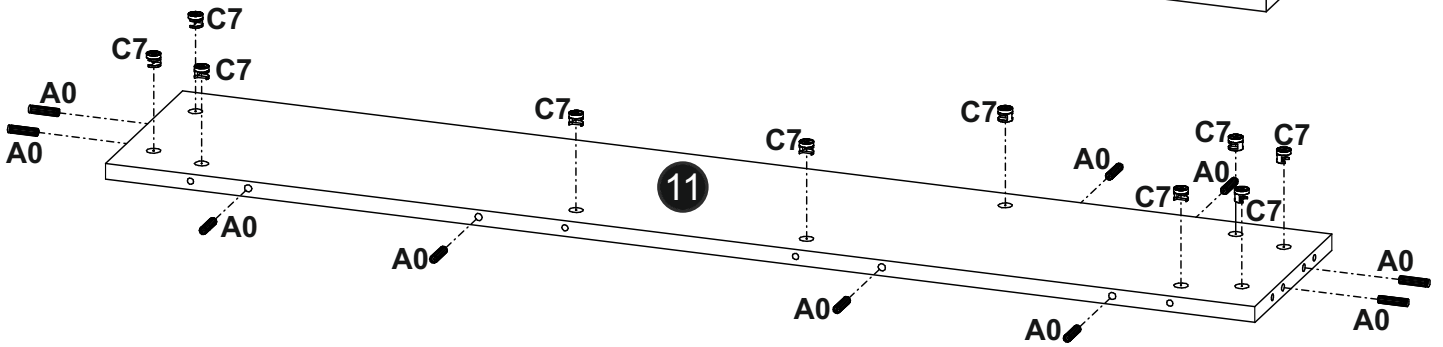
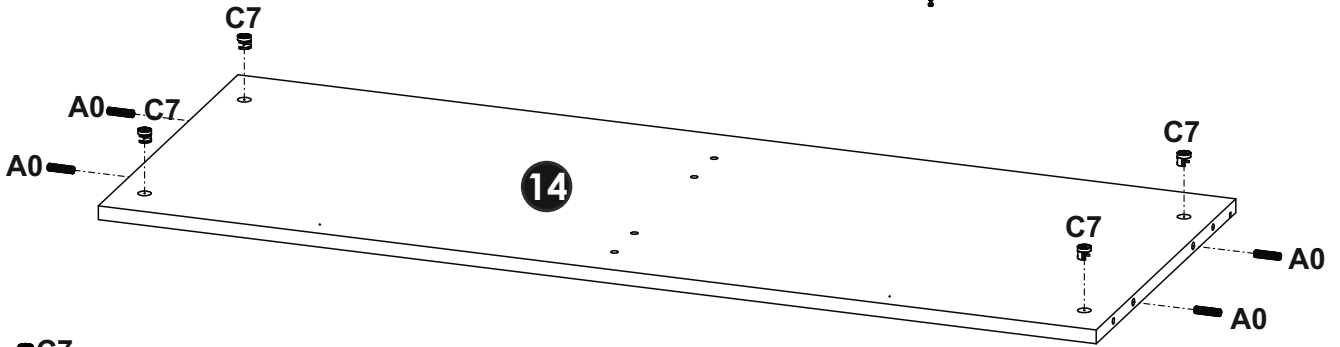
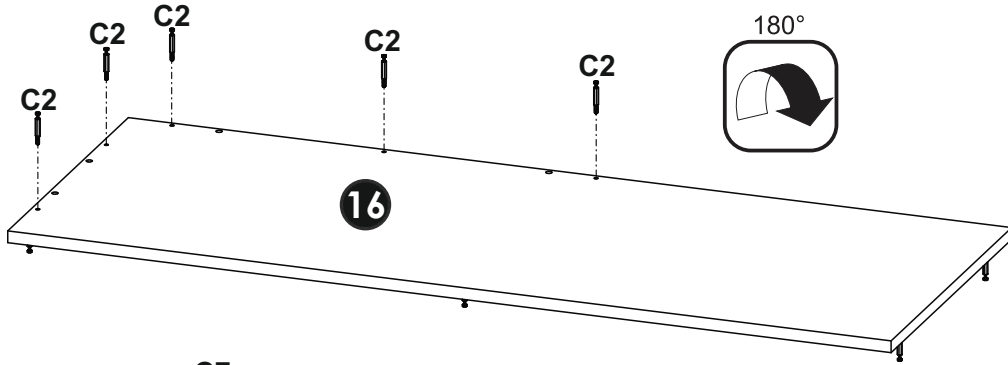
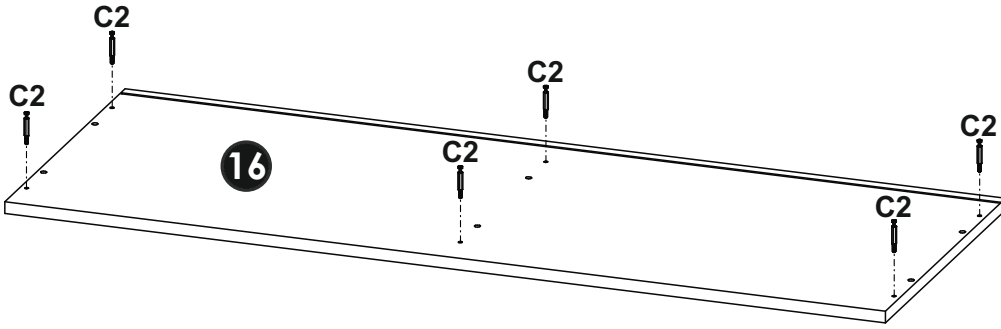


A0 8 x 30mm 	x10	C2 	x4	C7 16mm 	x6
		Q3 	x8	T3 	x9




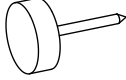


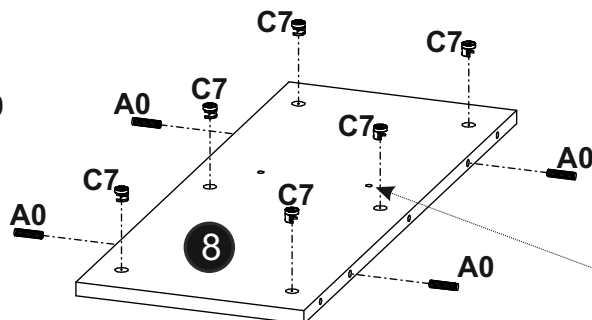
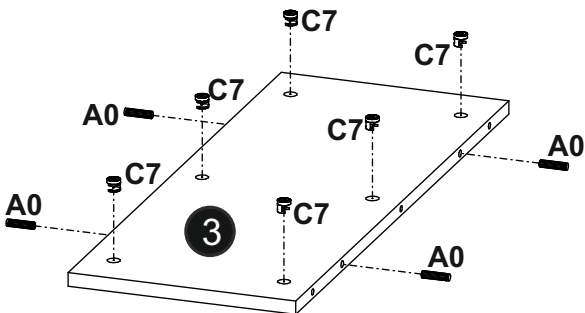
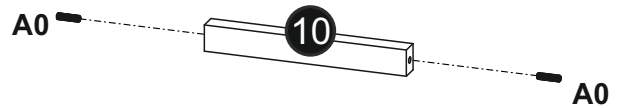
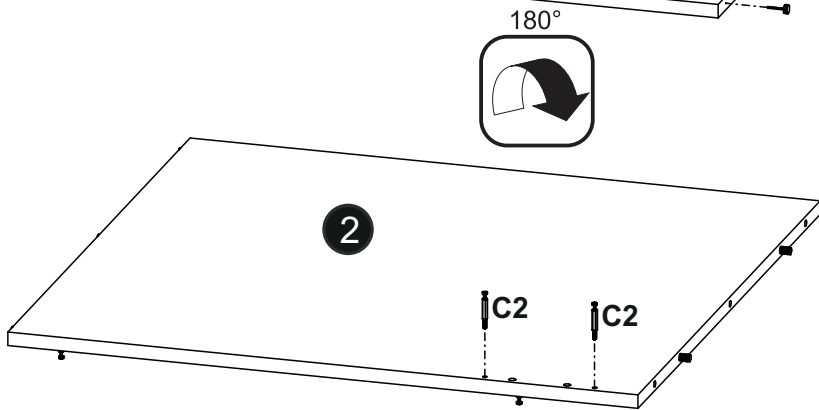
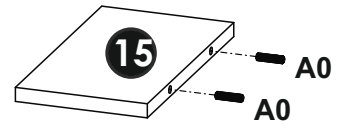
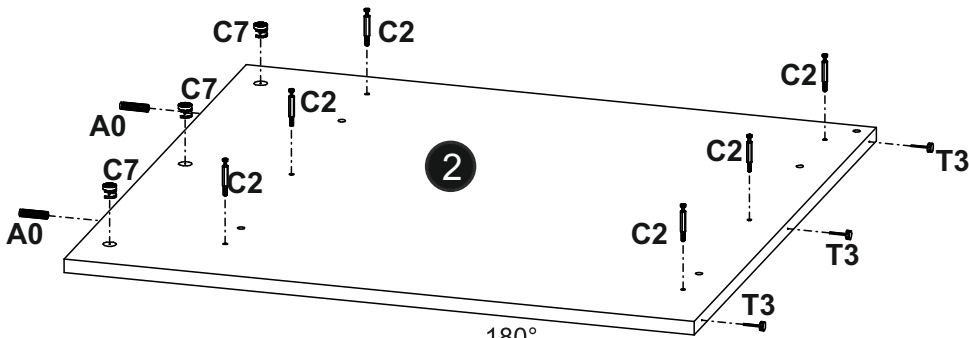
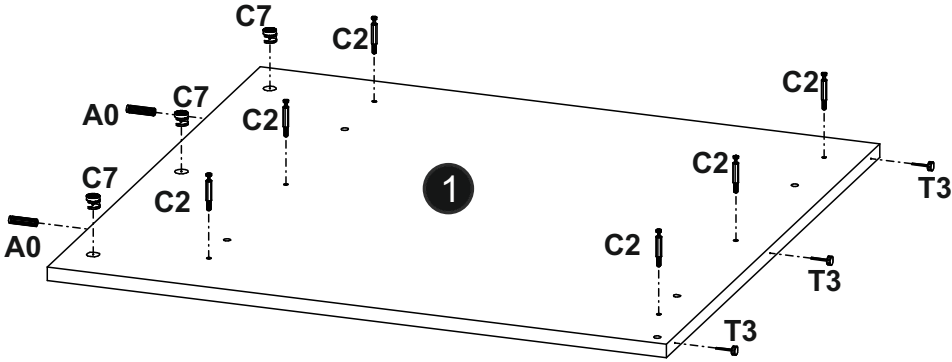
2 ▶

A0 8 x 30mm 	x18	C2 	x13	C7 16mm 	x20
--	------------	--	------------	--	------------



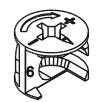


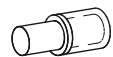


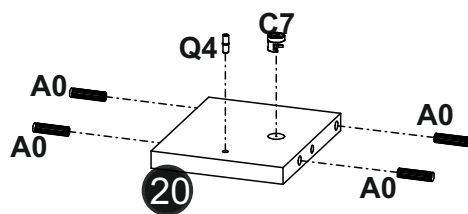
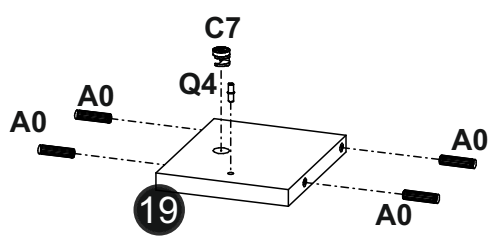
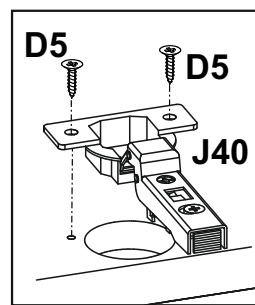
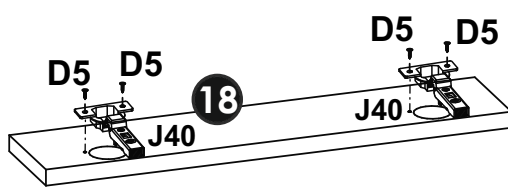
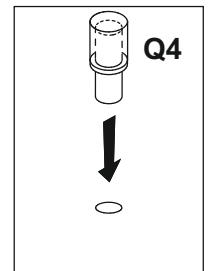
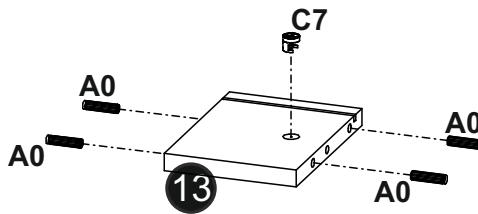
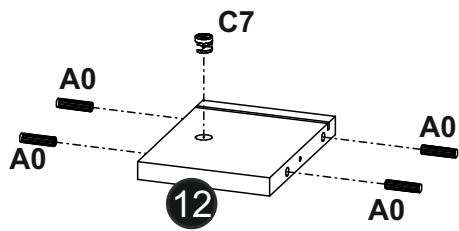
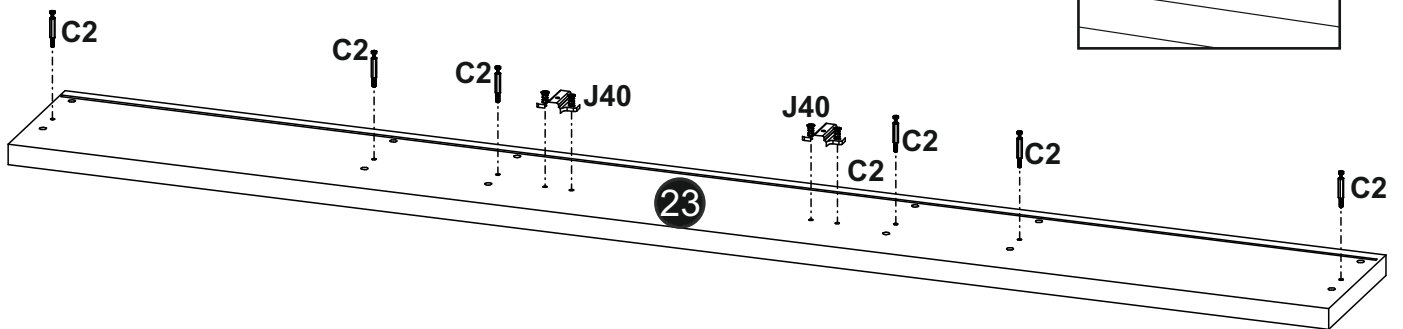
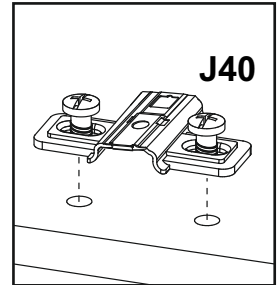
3 ▶

<p>A0 8 x 30mm x16</p> 	<p>C2 x14</p> 	<p>C7 x18</p> <p>16mm</p> 
<p>T3 x6</p> 		

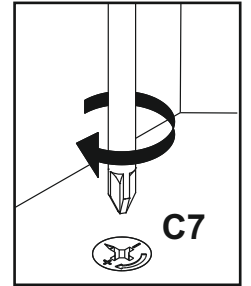
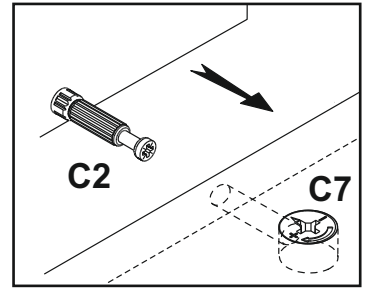
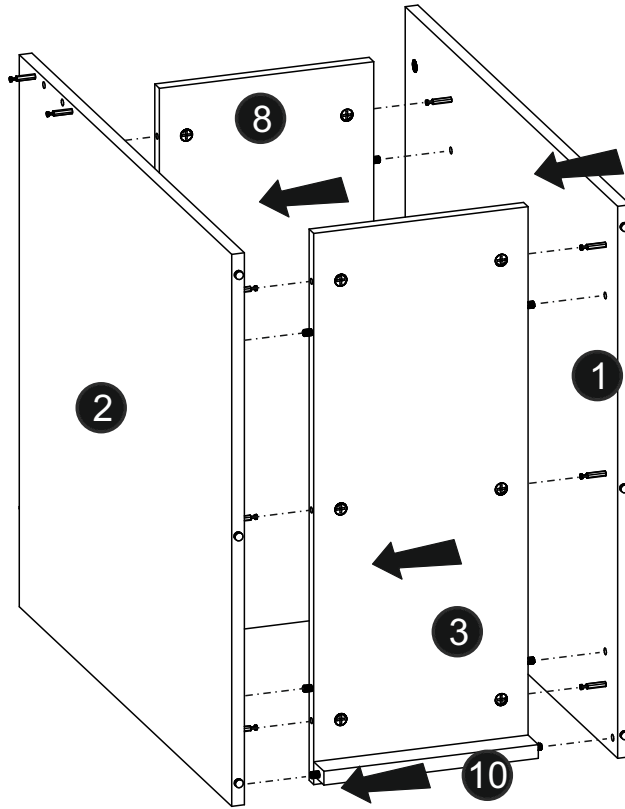


4 ▶

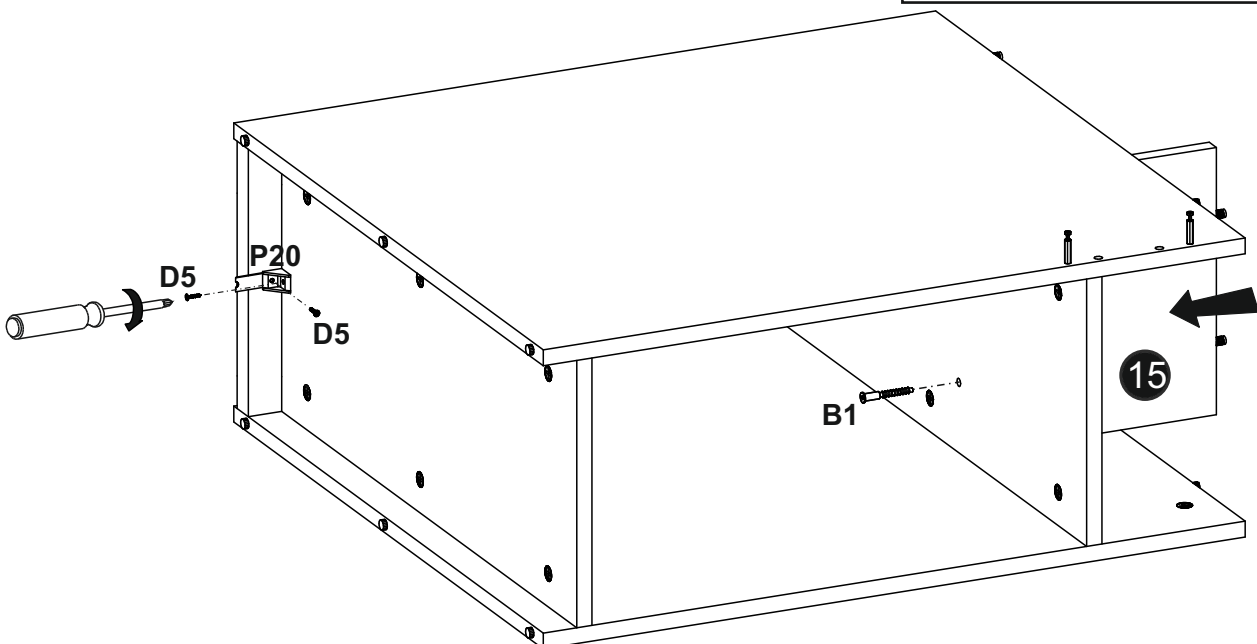
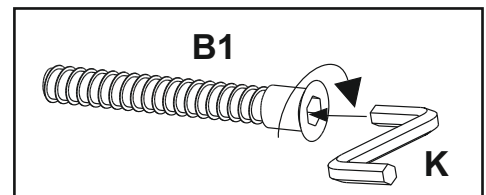
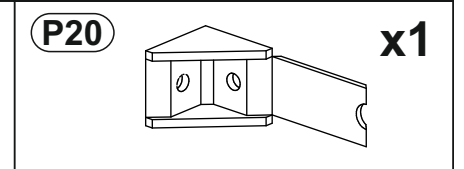
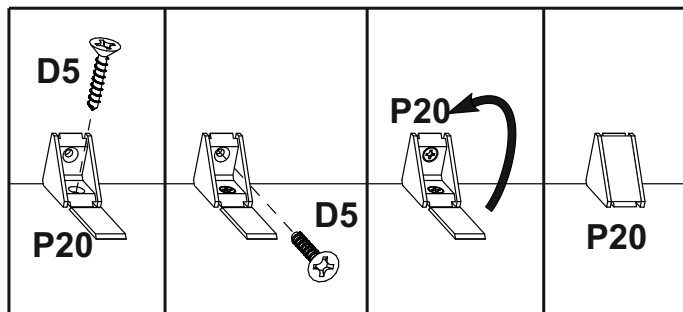
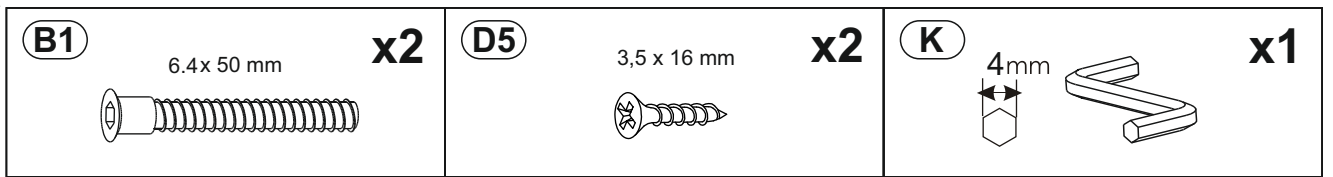
<p>A0 8 x 30mm x16</p> 	<p>C2 x6</p> 	<p>C7 x4</p> <p>16mm</p> 
<p>D5 x4</p> <p>3,5 x 16 mm</p> 	<p>J40 x2</p> 	<p>Q4 x2</p> 



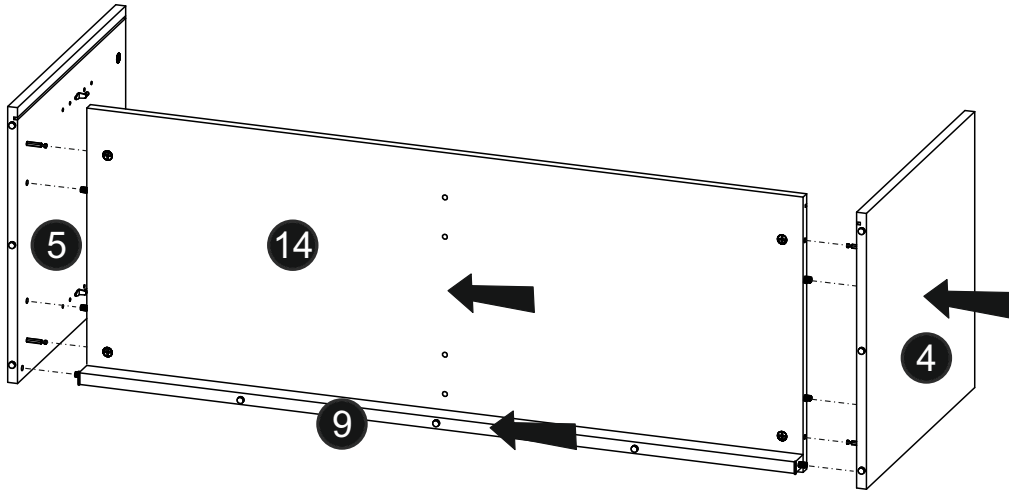
5 ▶



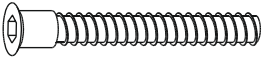


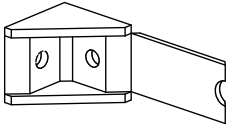
6 ▶

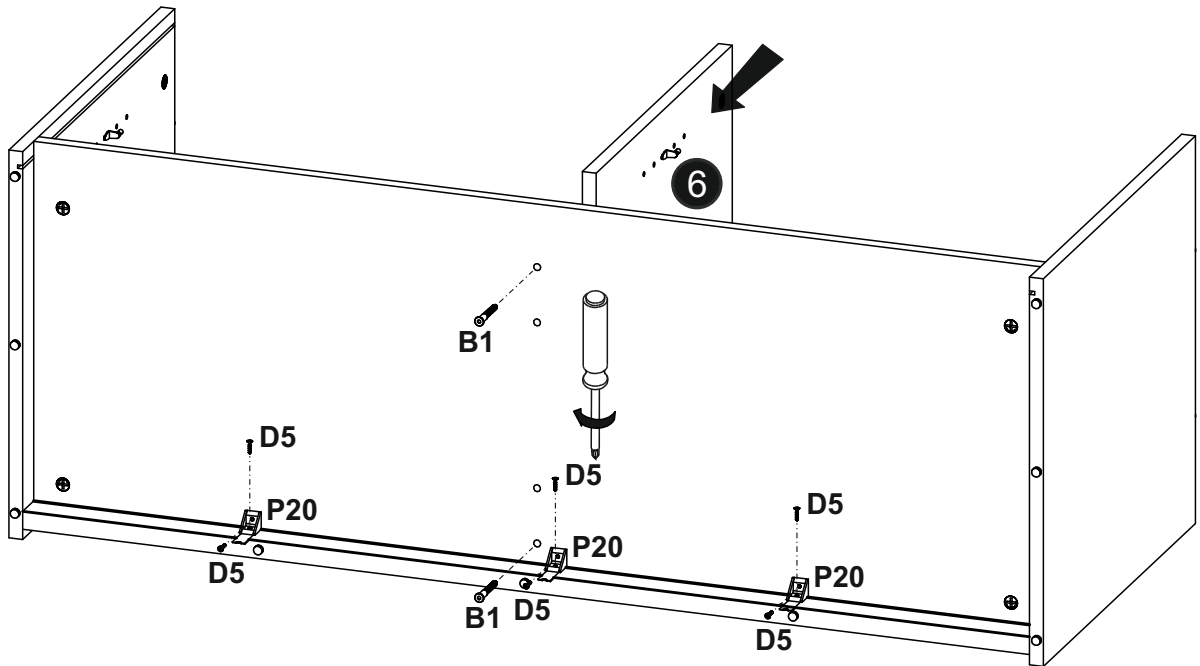


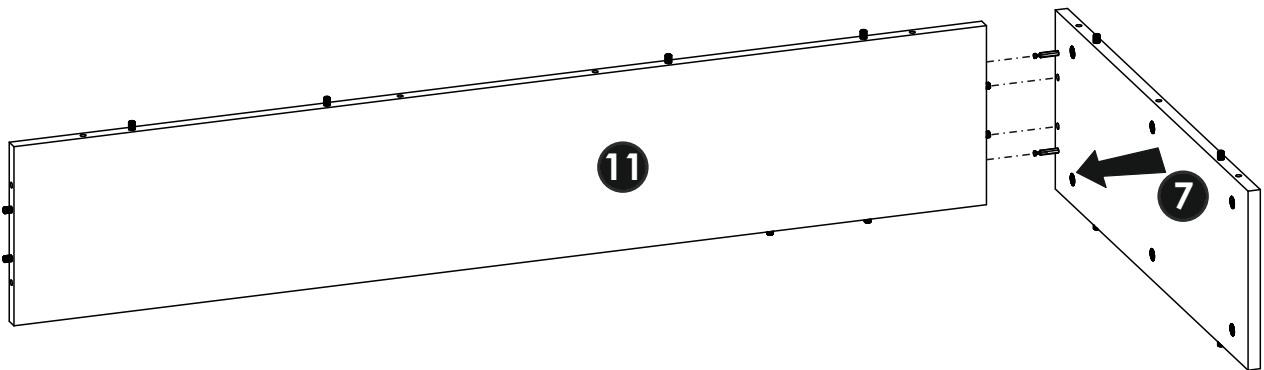
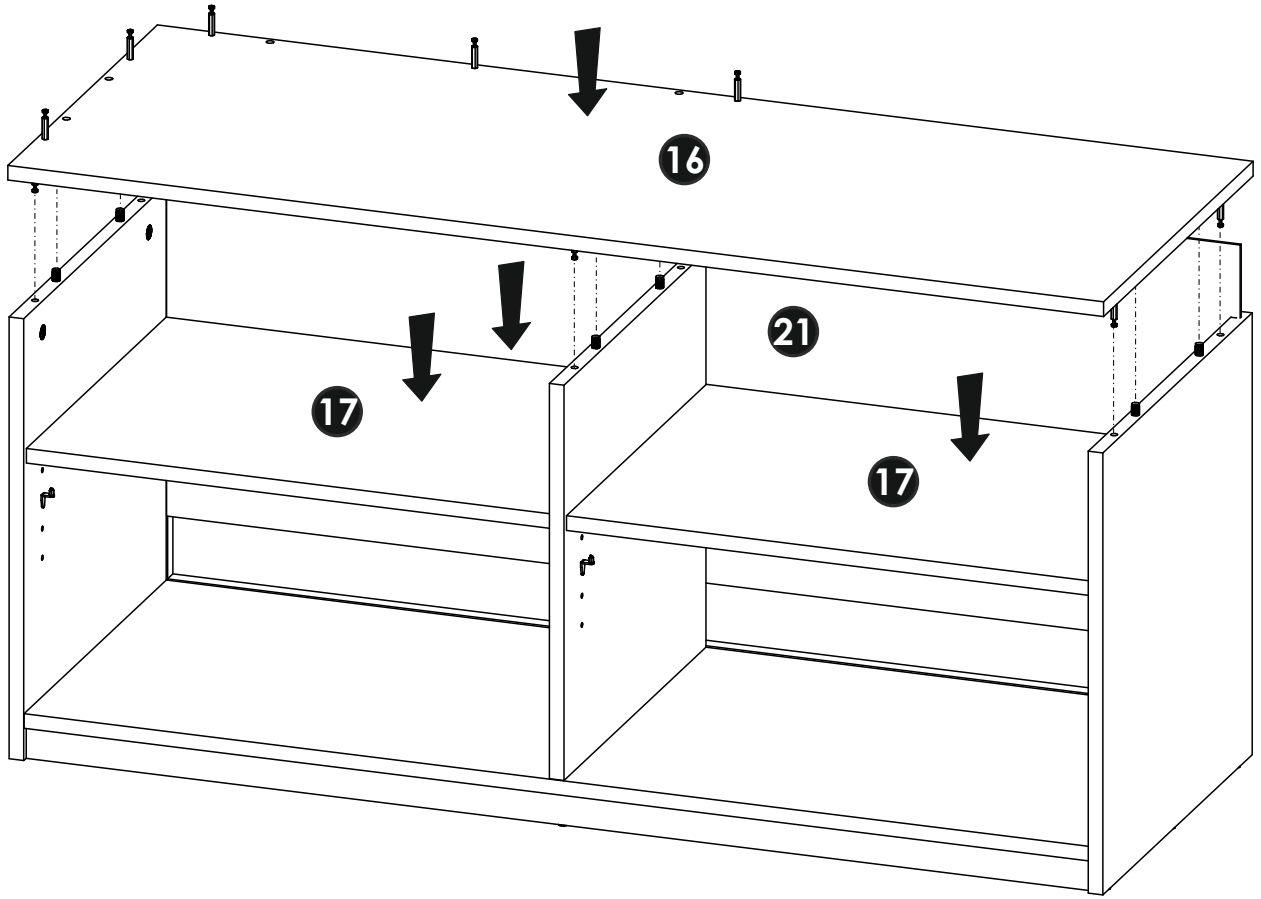
7 ▶



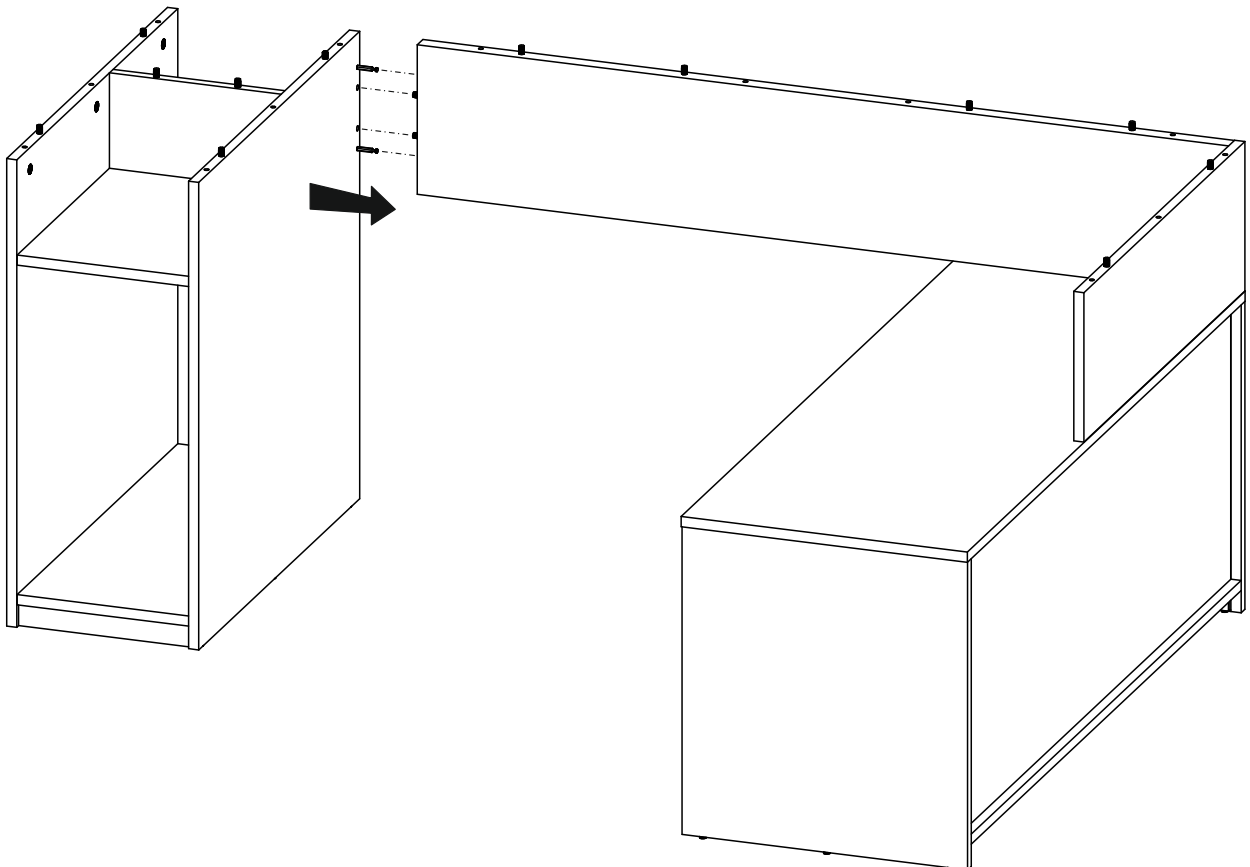
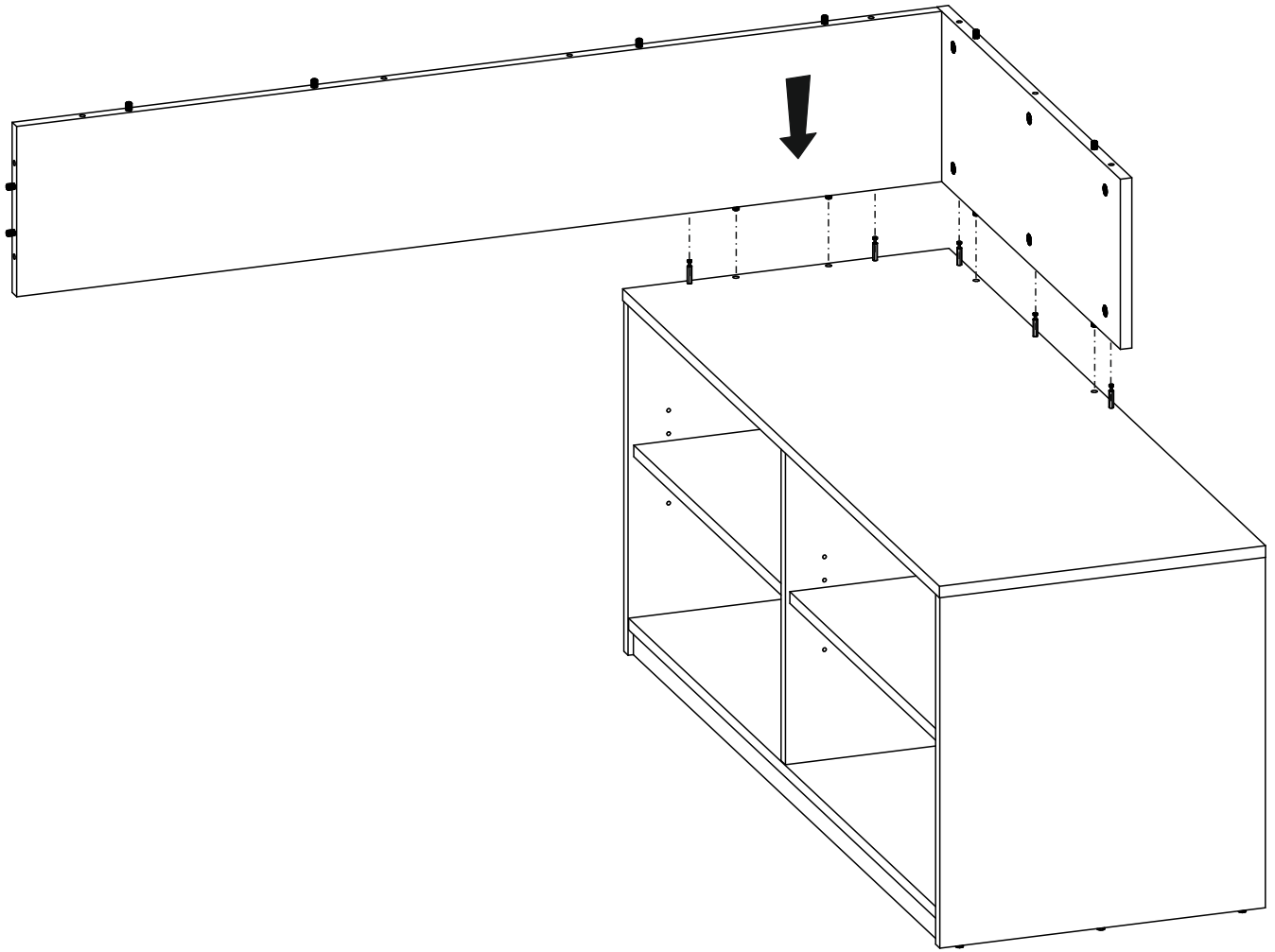
8 ▶

<p>B1 6.4x 50 mm x2</p> 	<p>D5 3,5 x 16 mm x6</p> 	<p>K 4mm x1</p> 
<p>P20 x3</p> 		

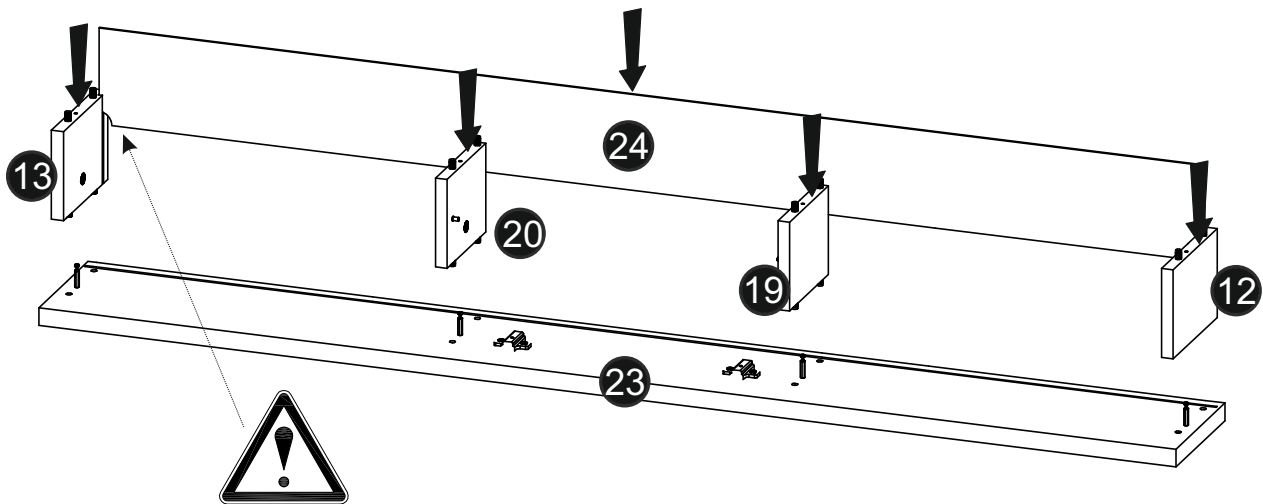





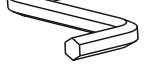

10▶

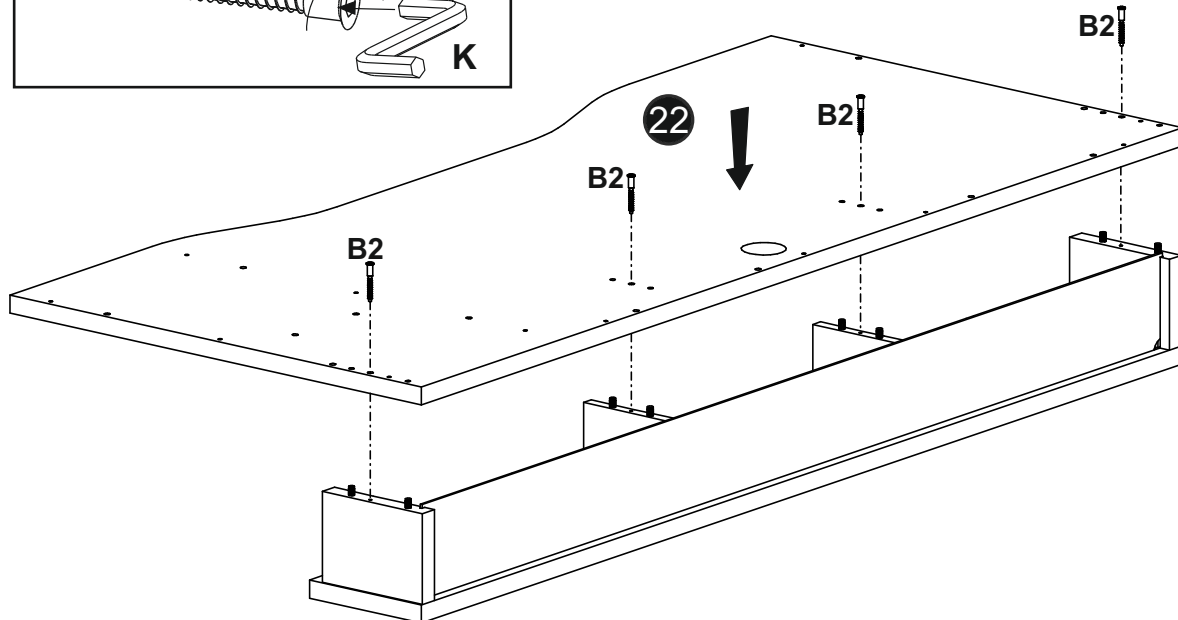
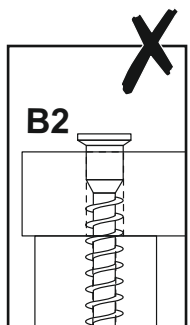
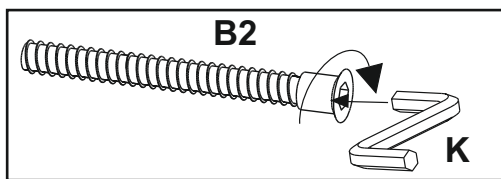
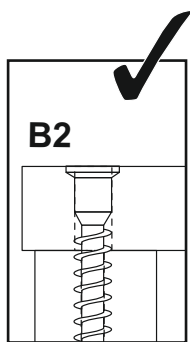
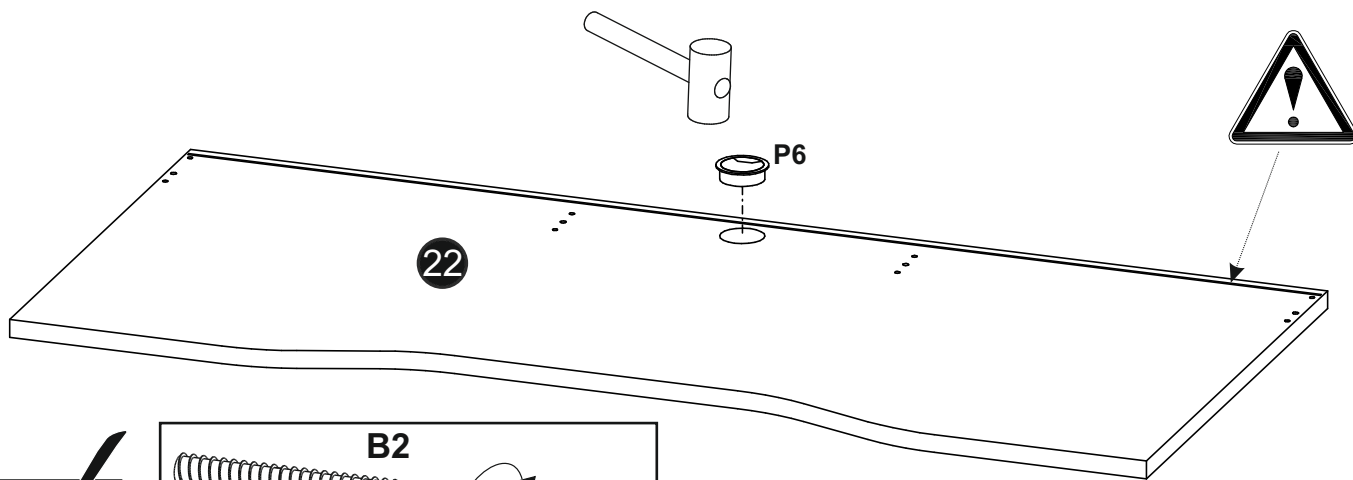


11 ▶

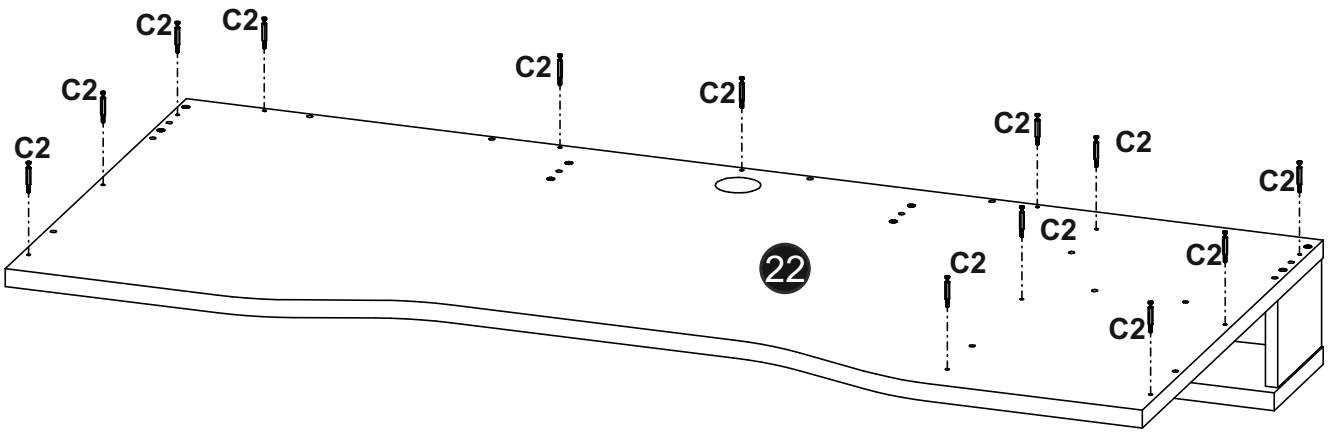
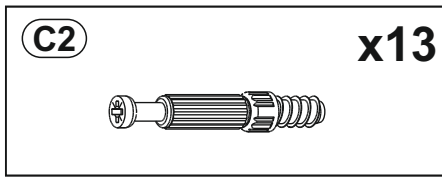


12 ▶

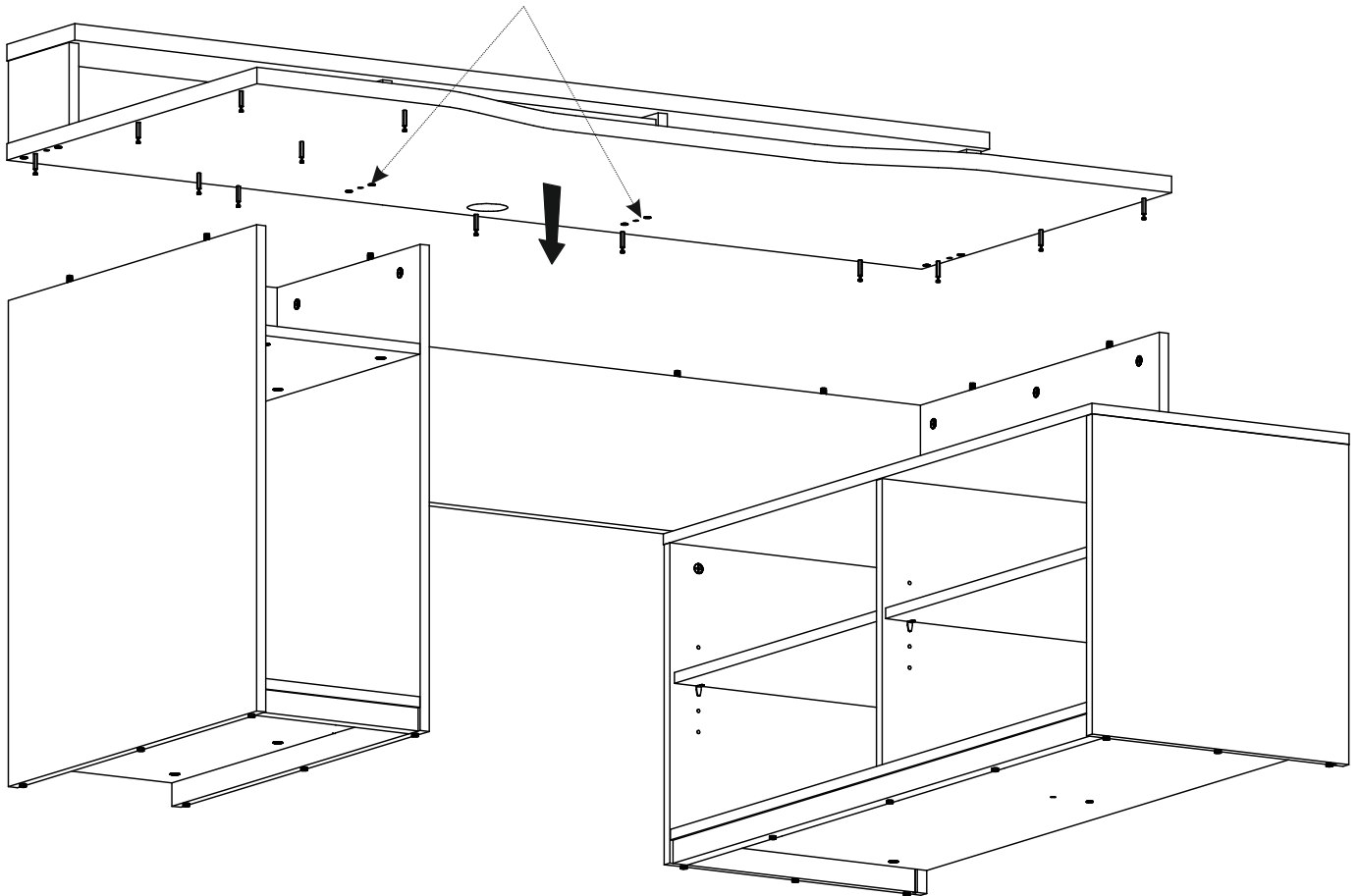
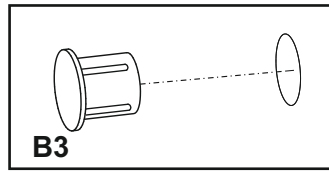
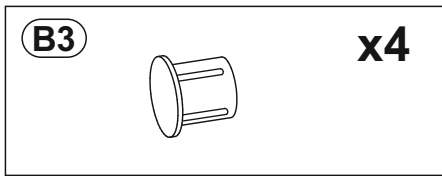
B2 f 7 x 70 mm 	x4	K 4mm 	x1	P6 	x1
---	-----------	--	-----------	--	-----------





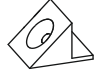
13 ▶

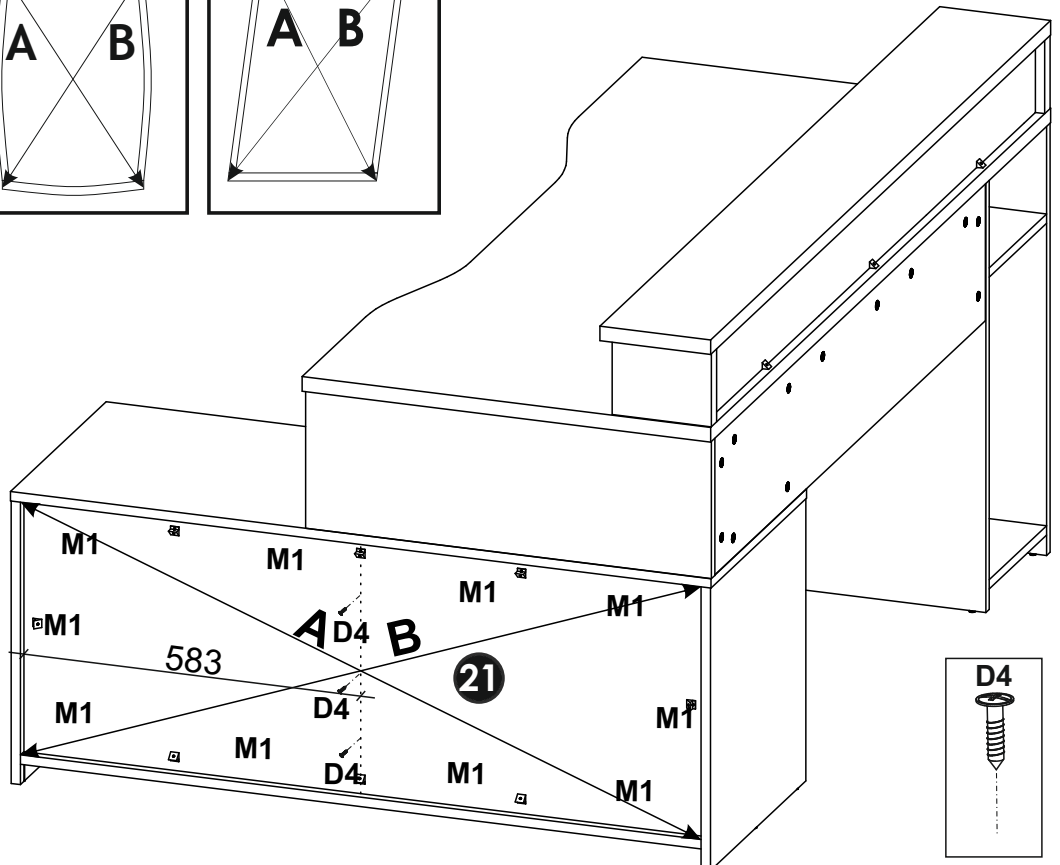
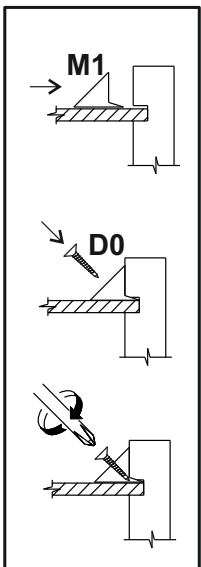
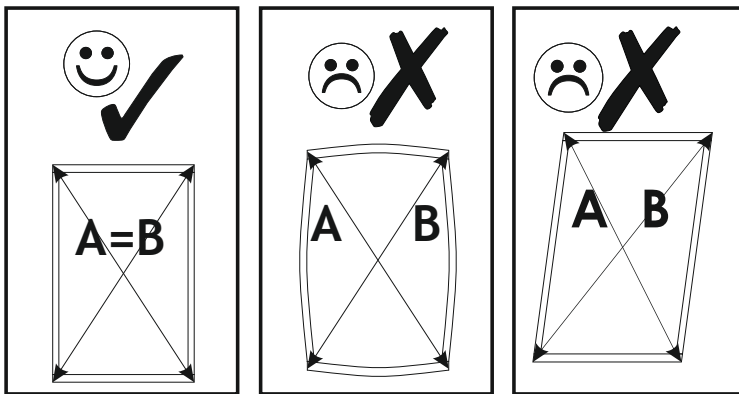
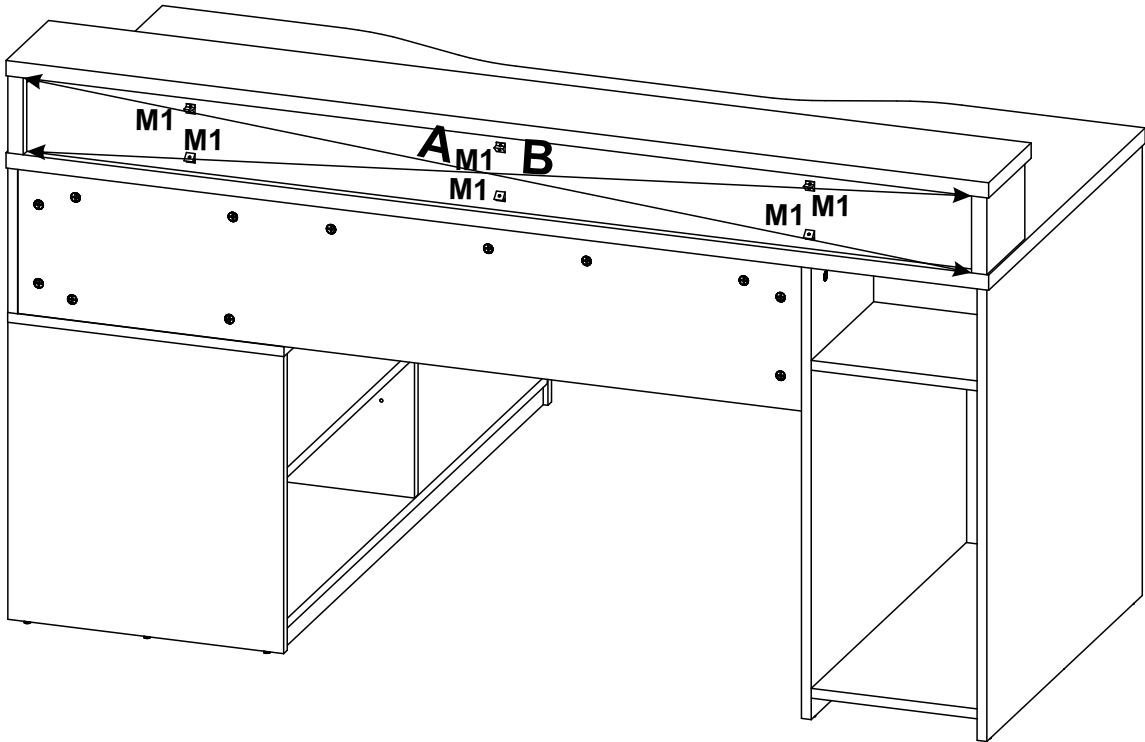


14 ▶






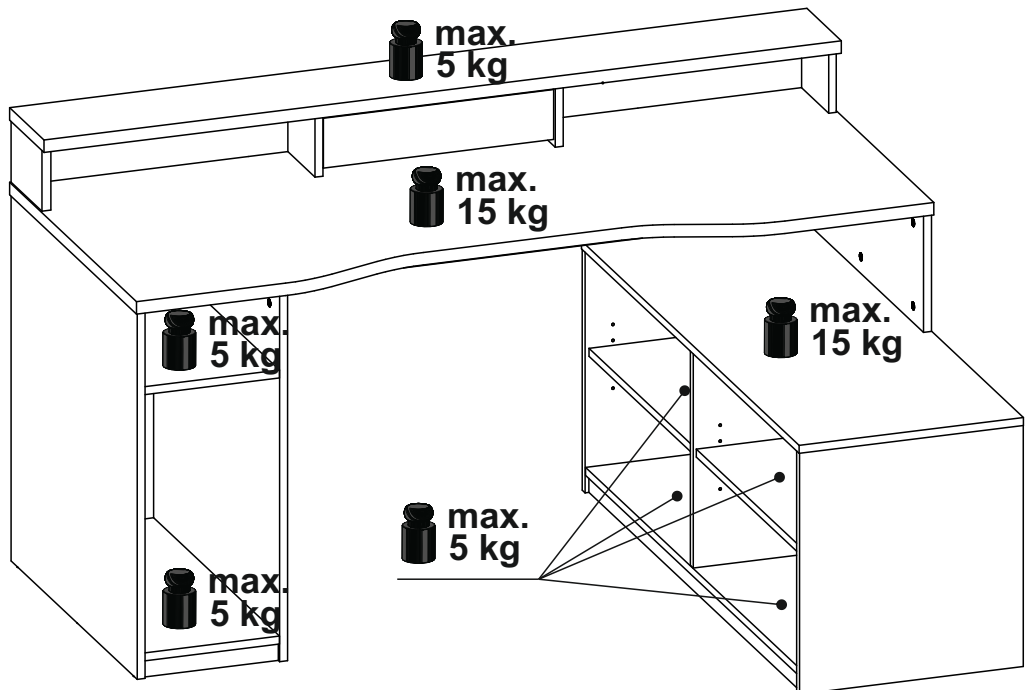
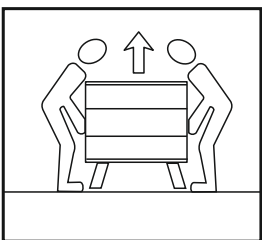
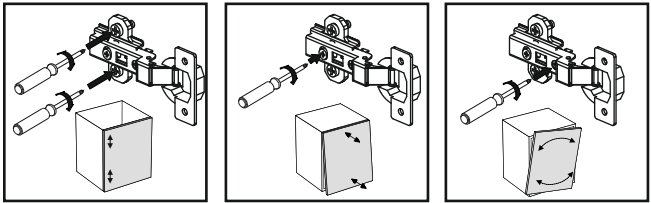
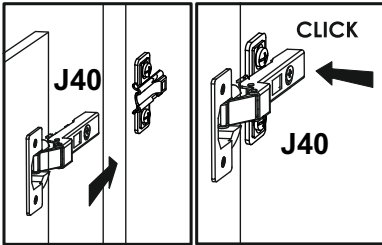
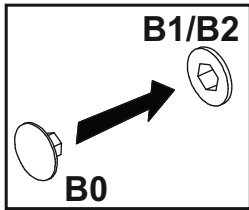
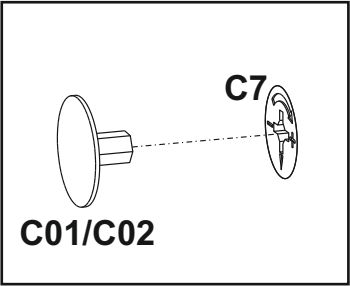
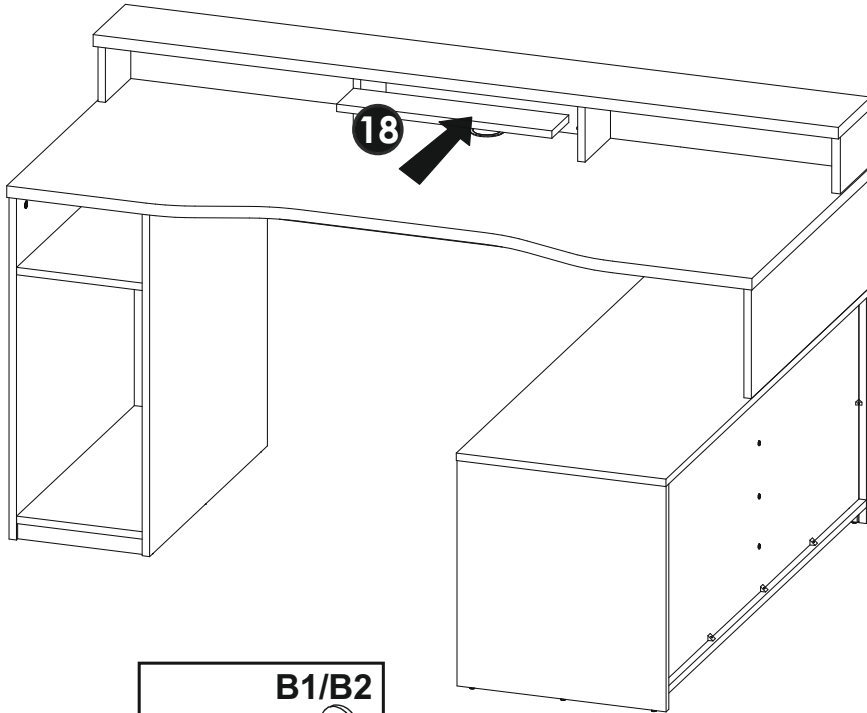
15 ▶

<p>(D0) 3 x 15 mm x14</p> 	<p>(D4) 3,5 x 18 mm x3</p> 	<p>(M1)  x14</p>
---	--	---



16 ▶

B0		x4	C01		x34	C02		x4
-----------	---	-----------	------------	---	------------	------------	---	-----------



Optional ! LED

