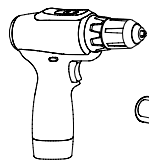
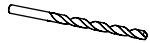


1.

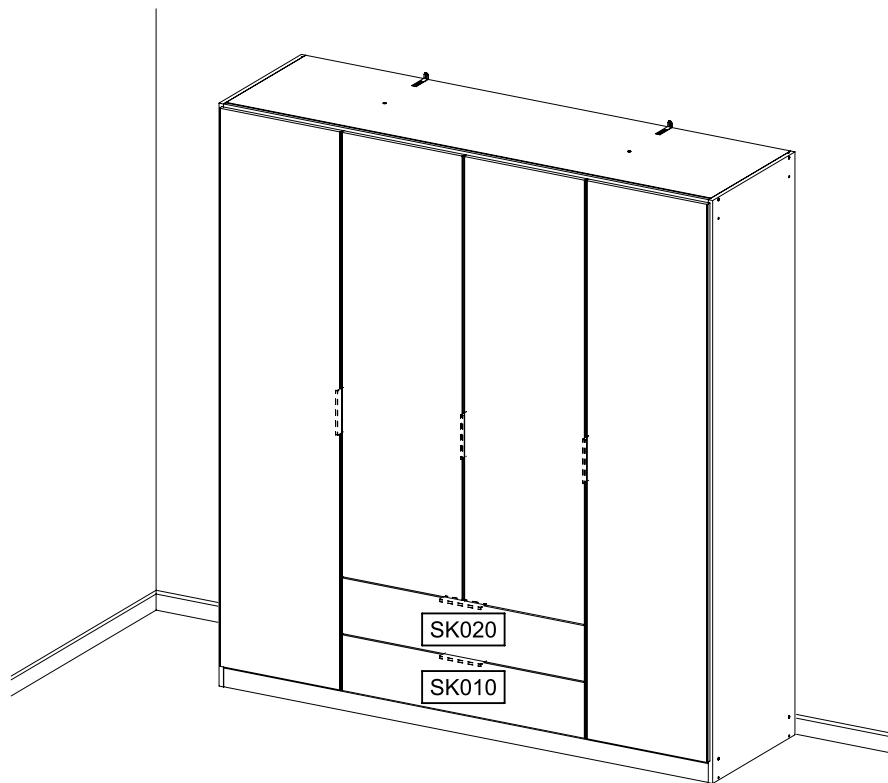
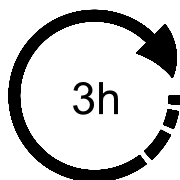
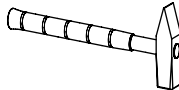
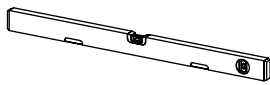
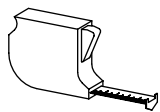
M3081_01



Ø5mm



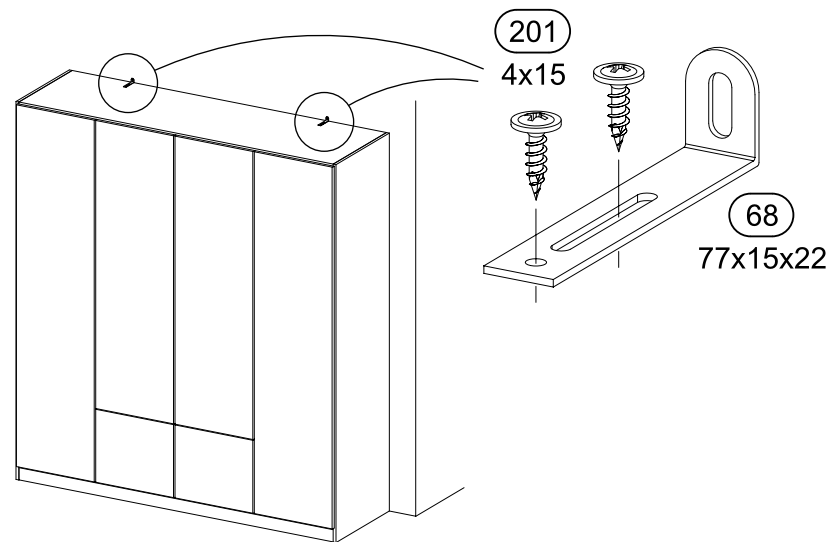
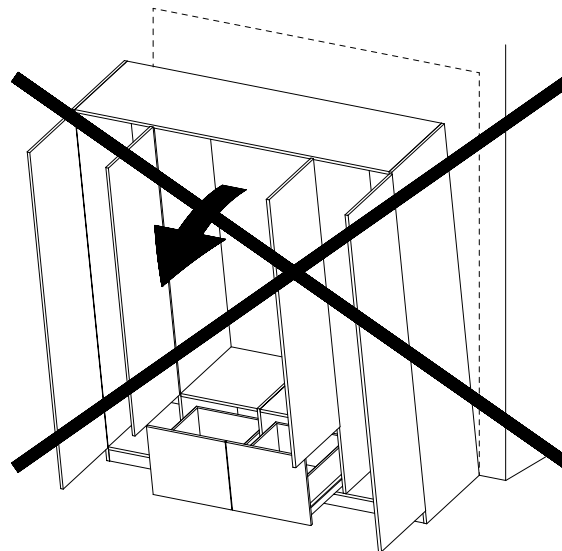
PZ2



SK020

SK010

2.



201

4x15

68

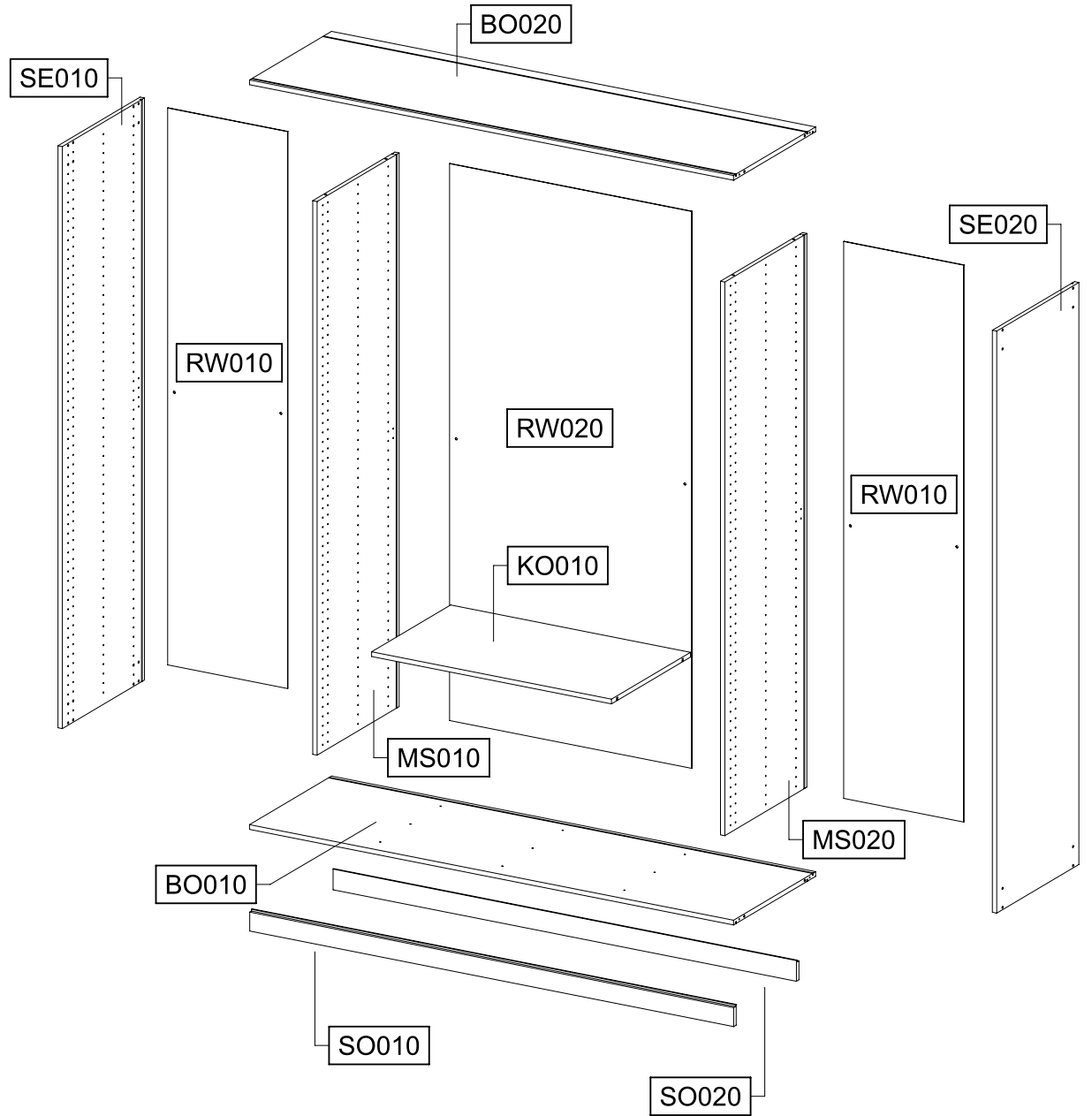
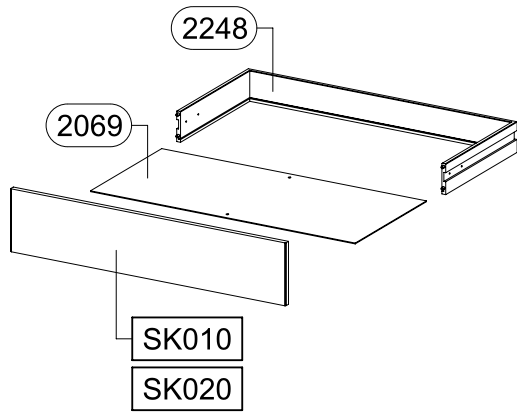
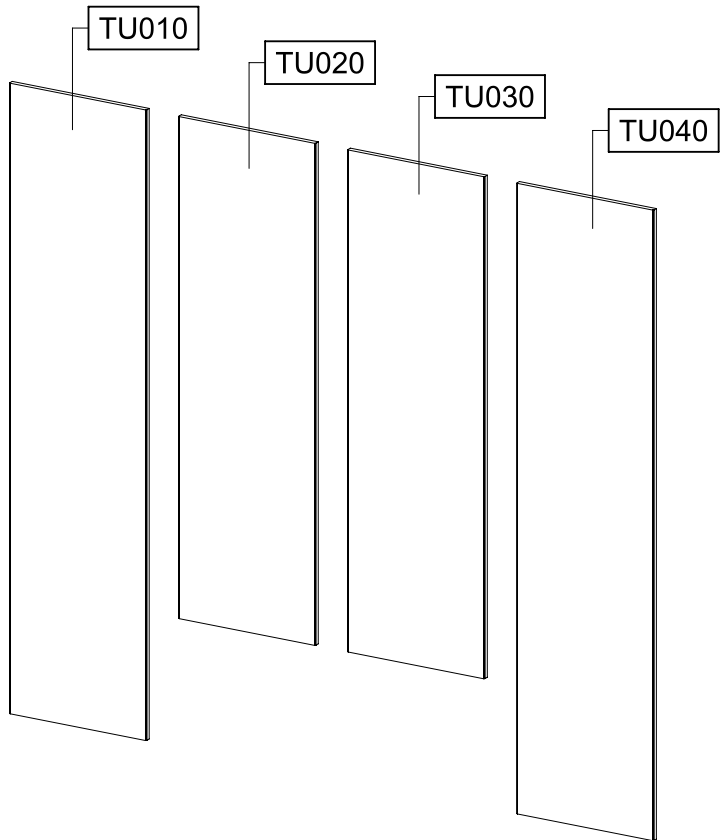
77x15x22

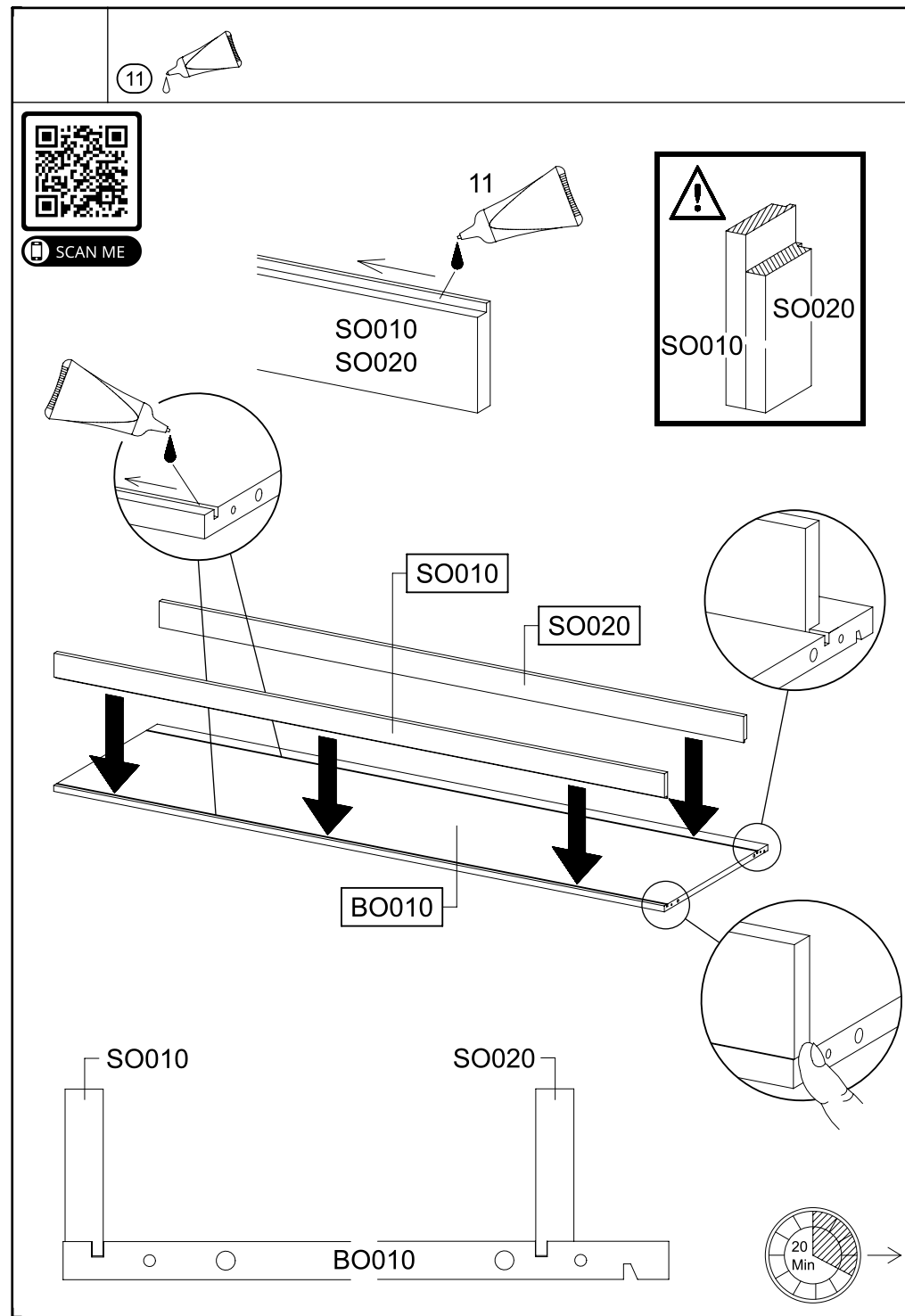
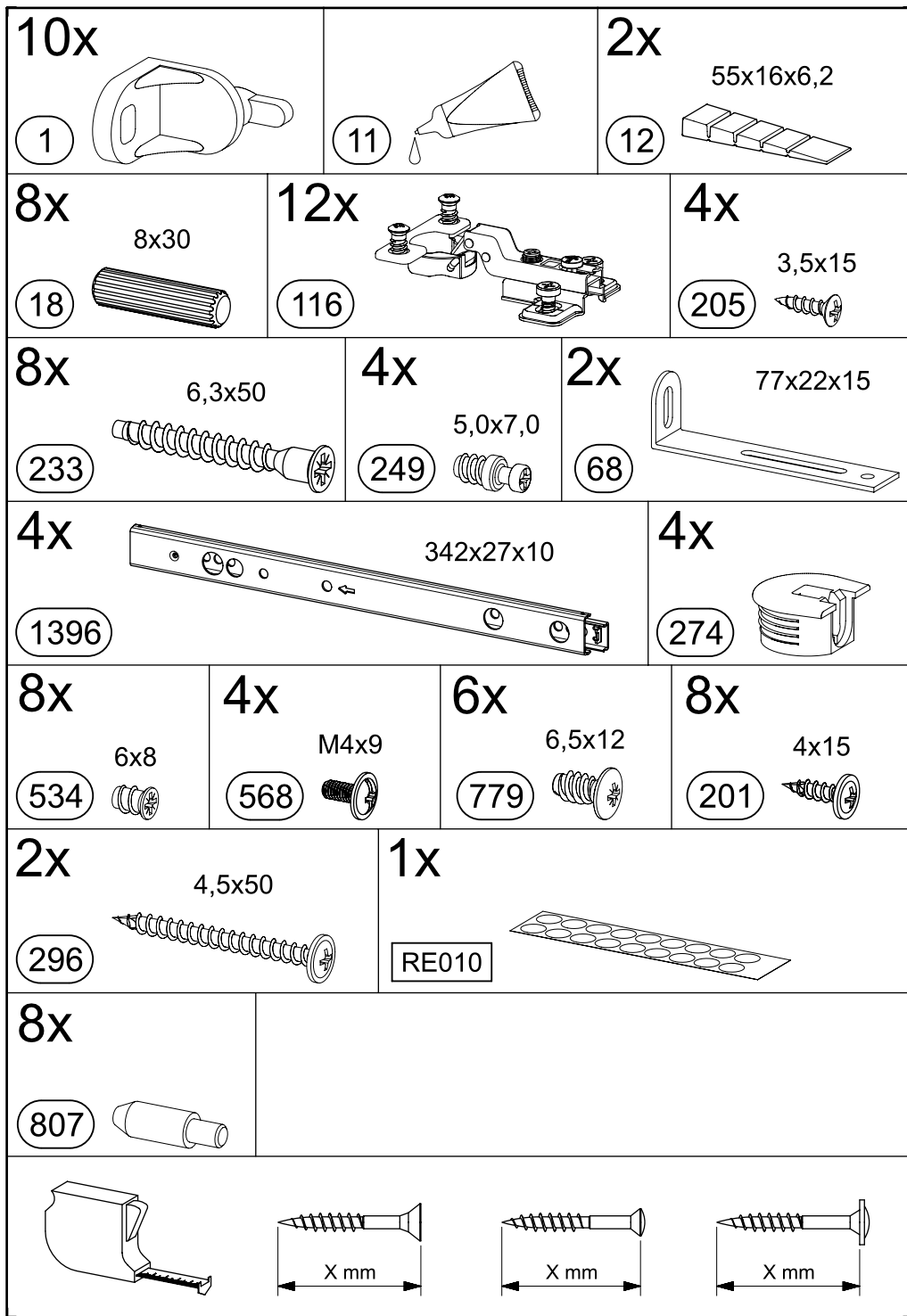


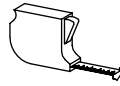
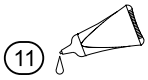
VIDEO



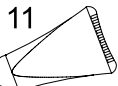
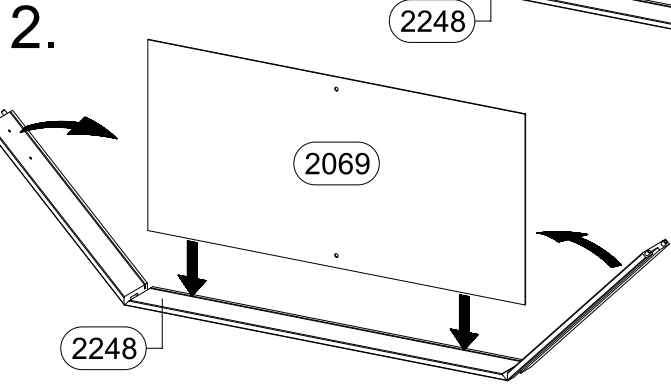
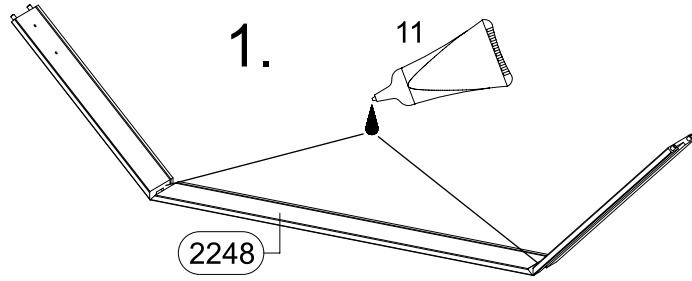
SCAN ME





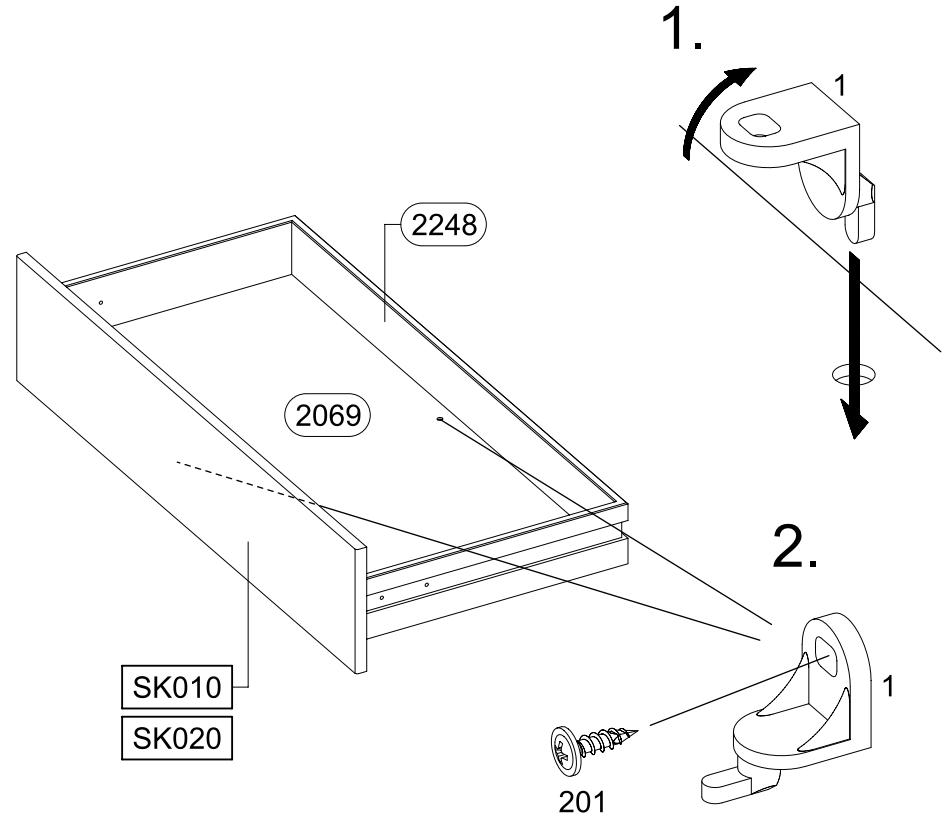
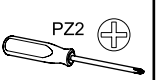
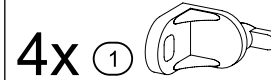
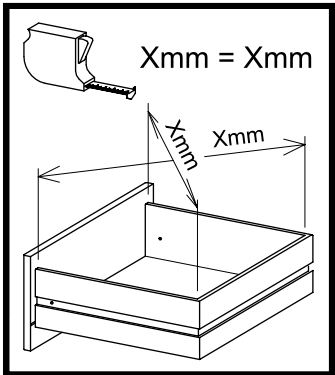
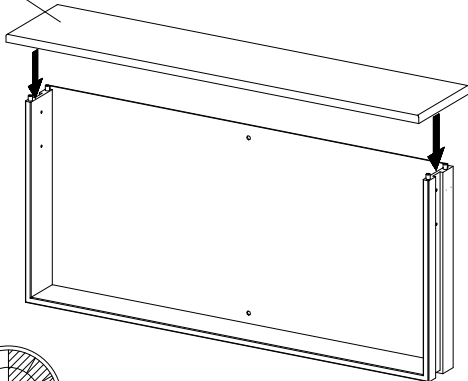


SCAN ME



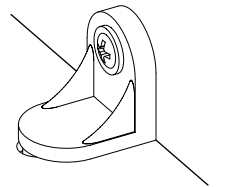
3.

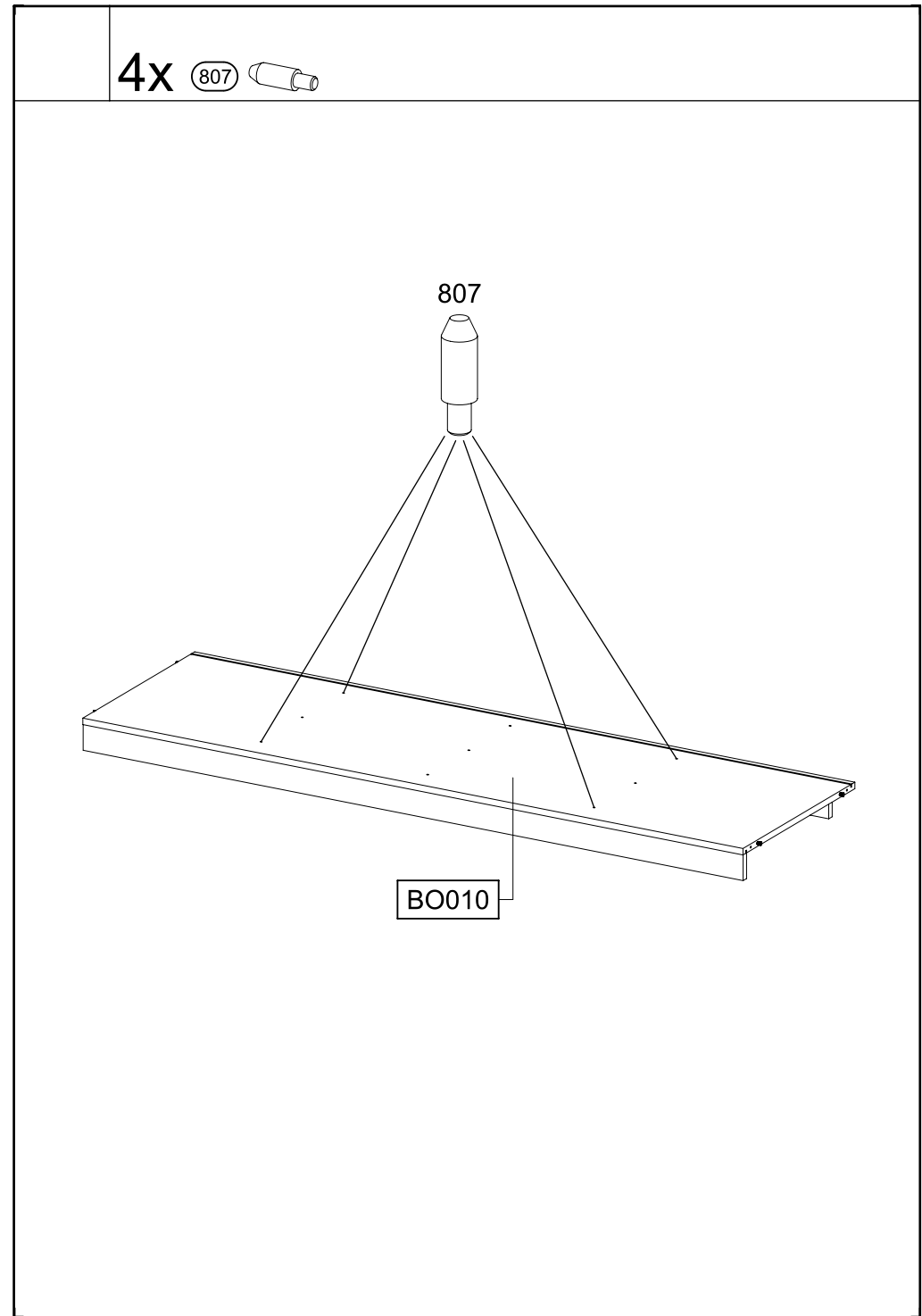
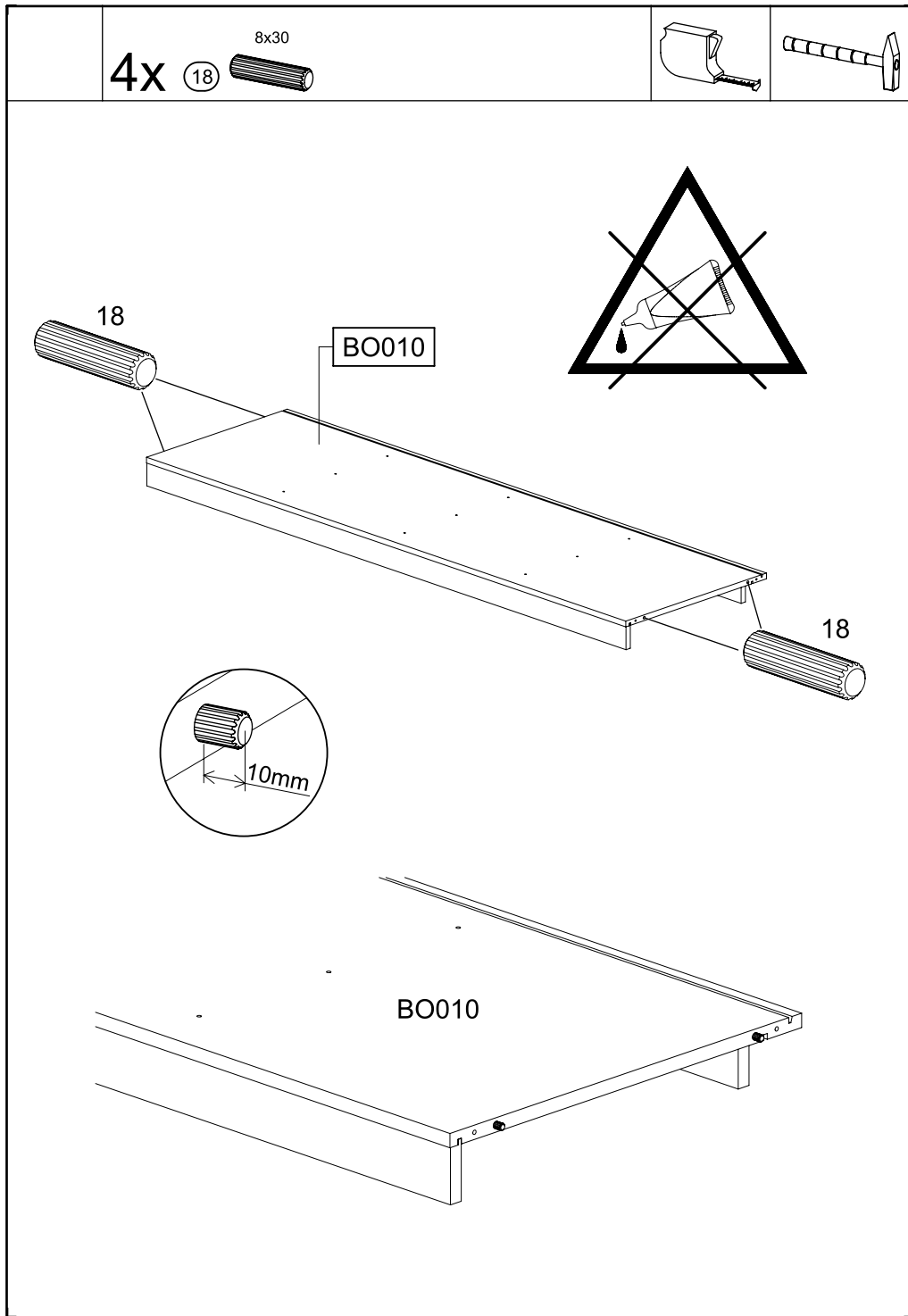
SK010
SK020



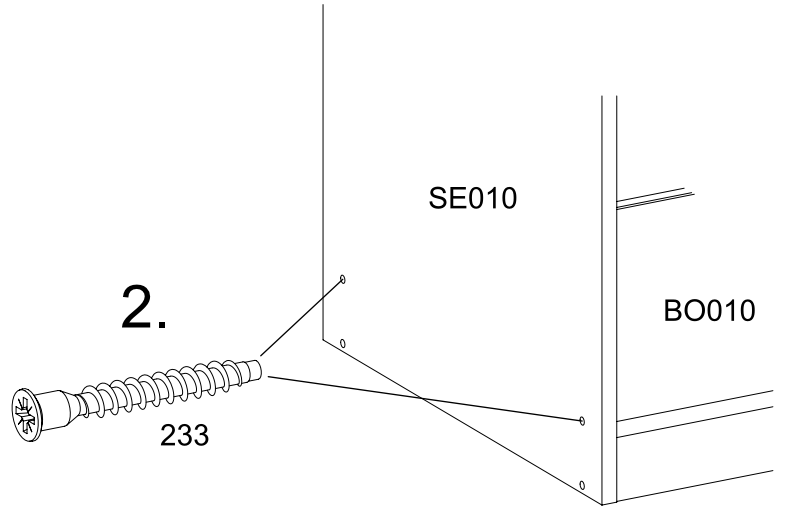
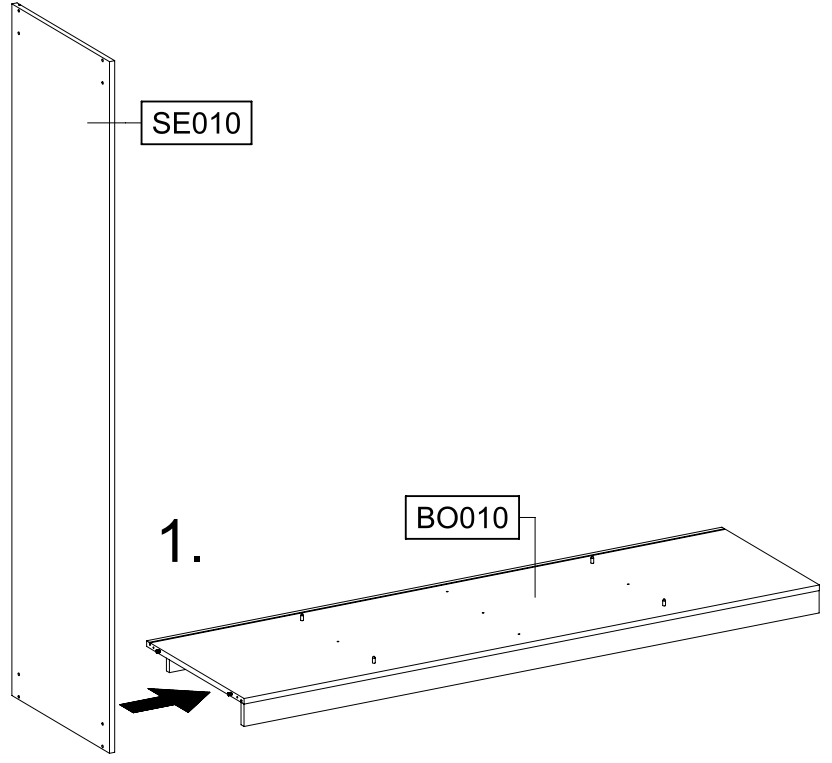
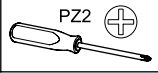
SK010
SK020

201

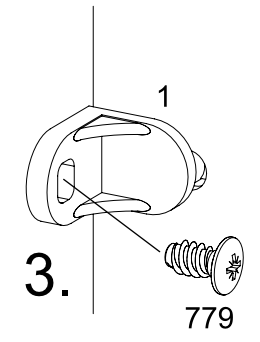
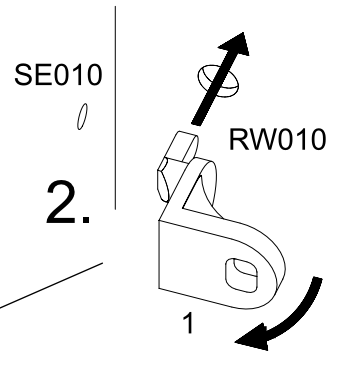
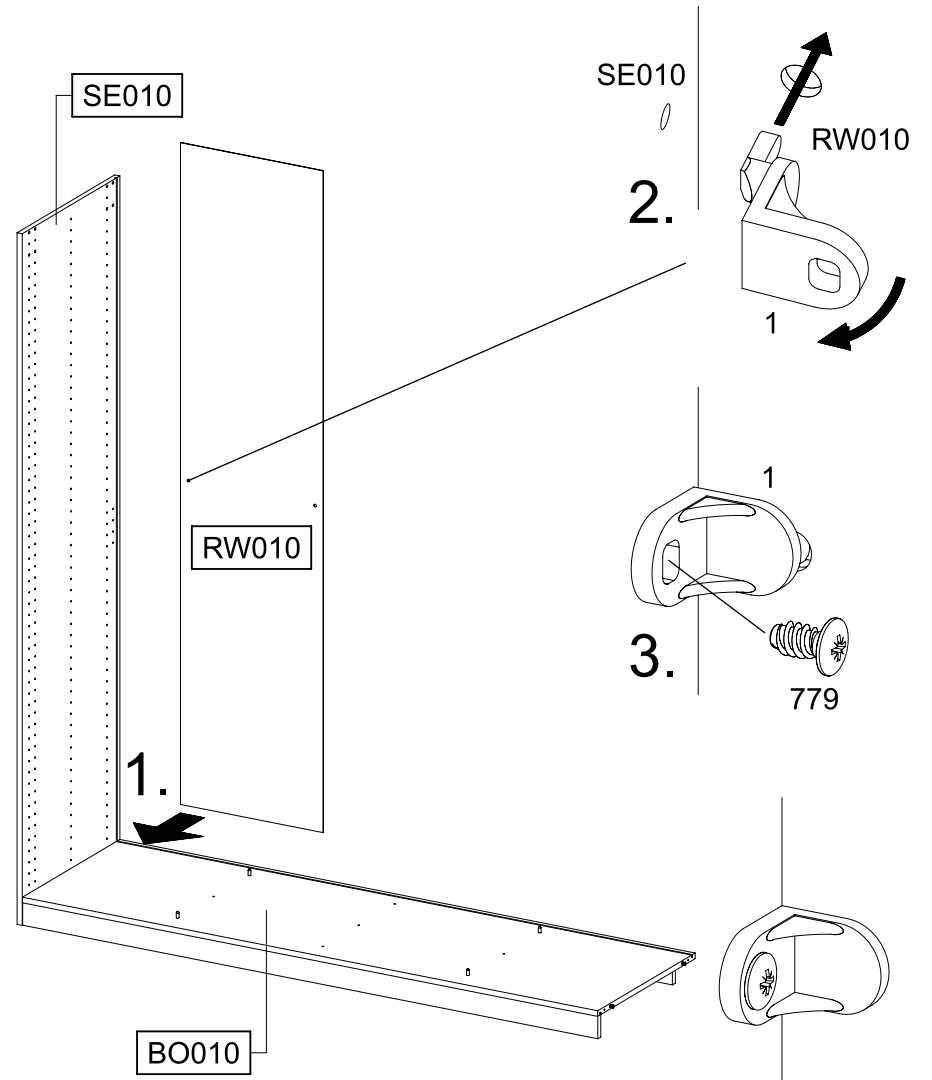
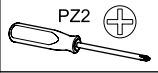


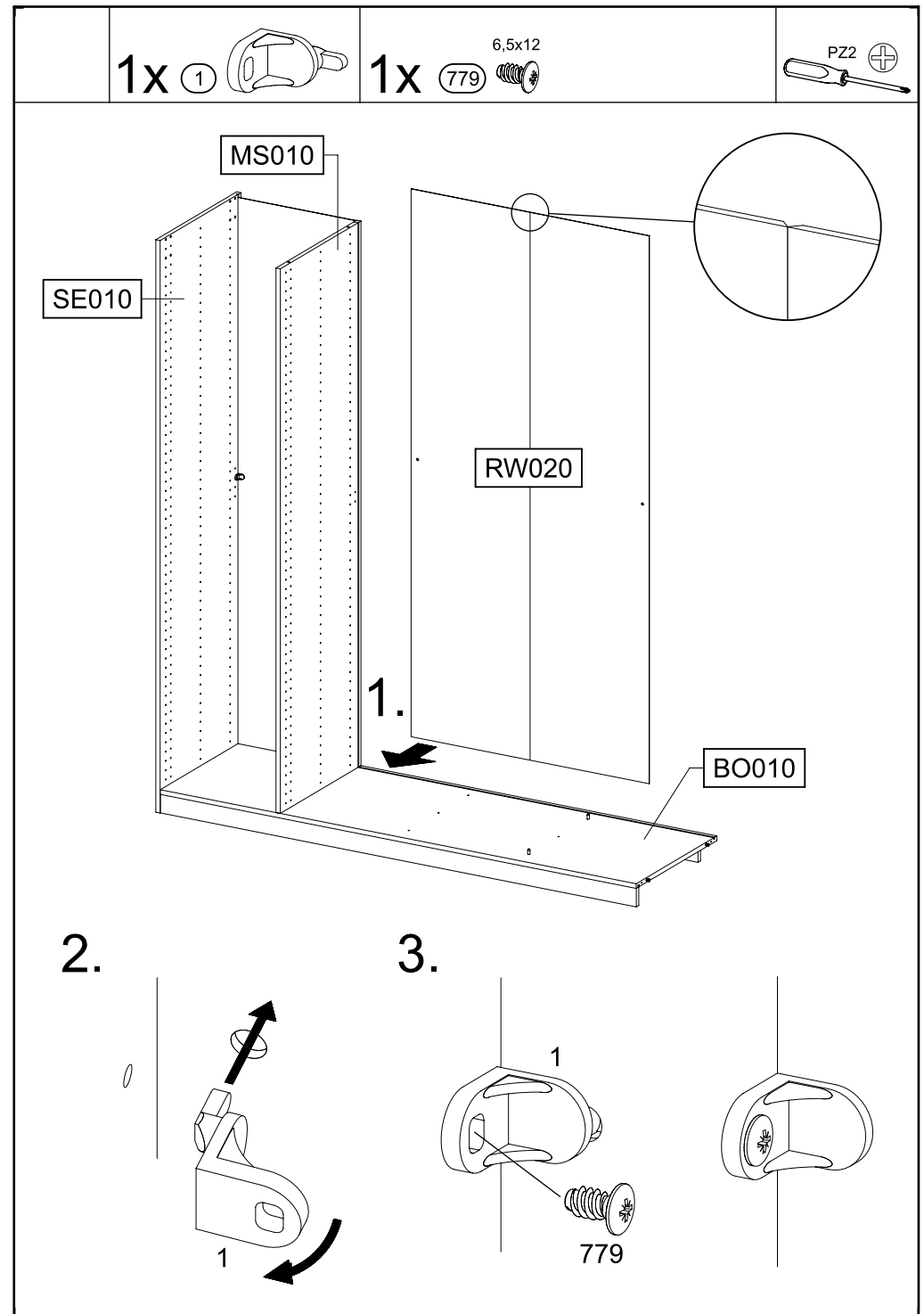
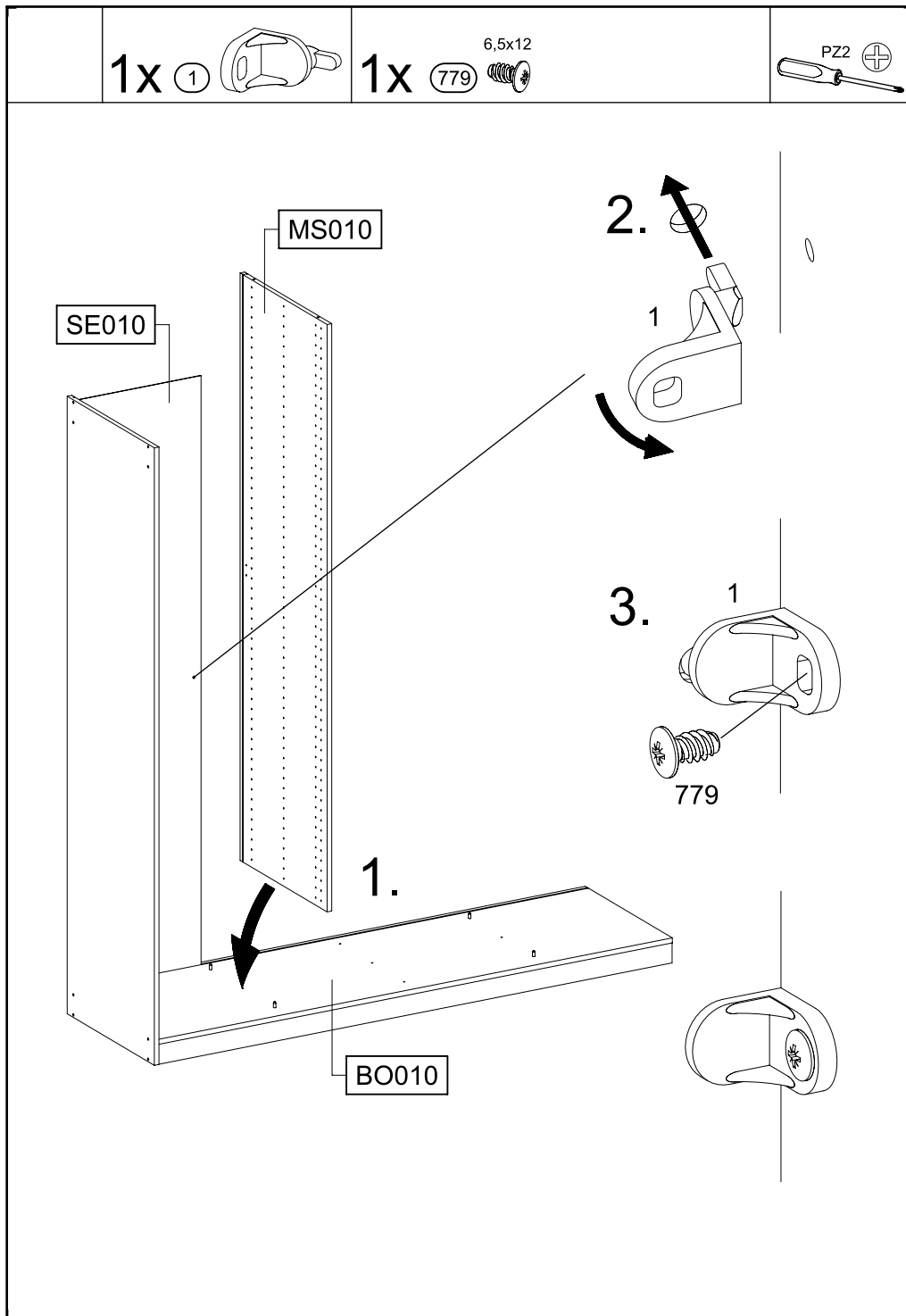



2x 233 6,3x50



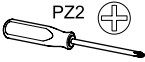
1x 1 6,5x12 779

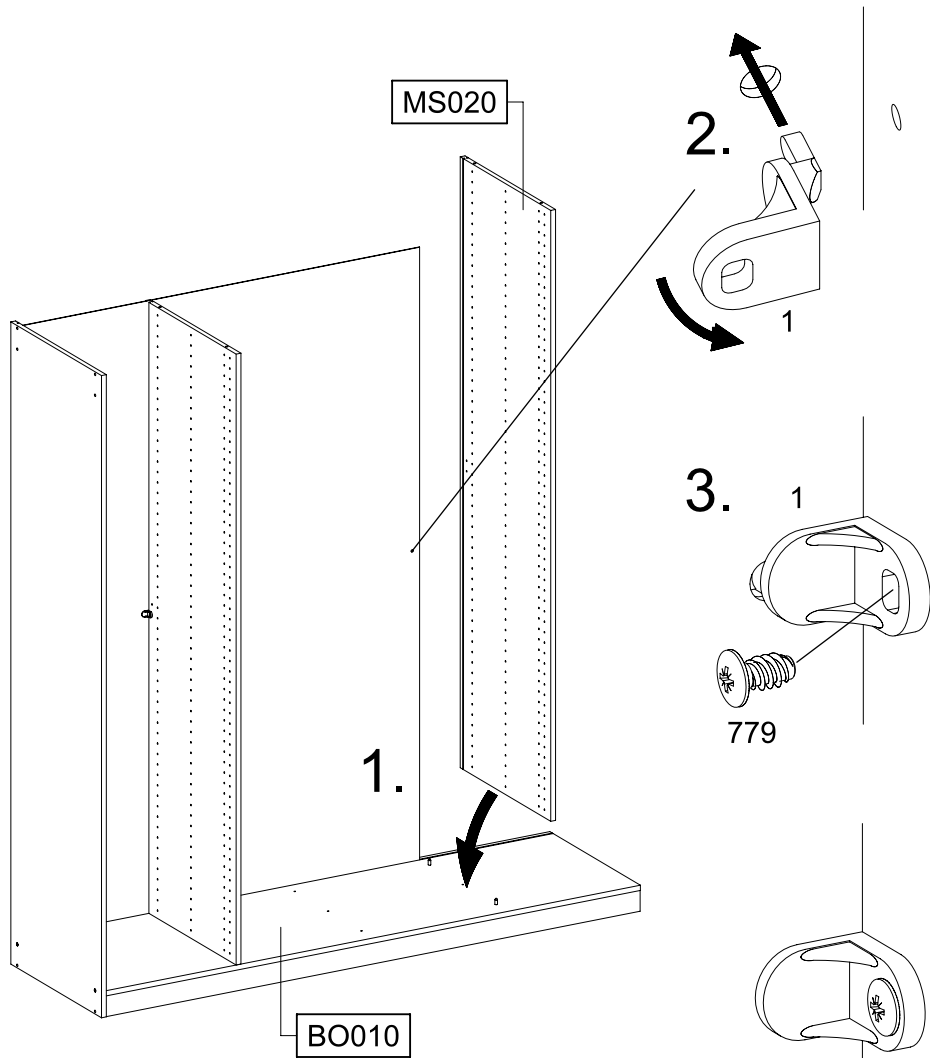





1x ① 

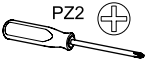
1x ⑦79  6,5x12

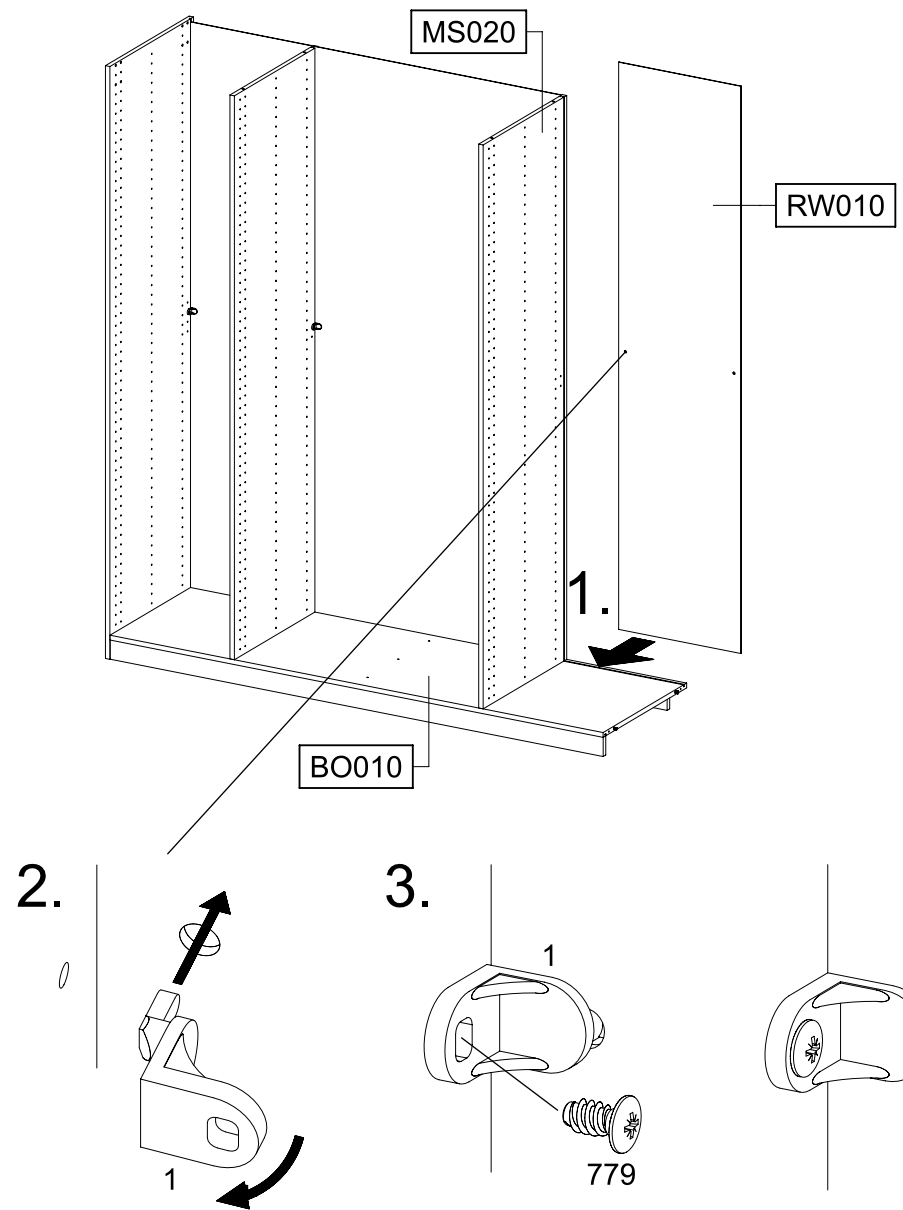
PZ2 



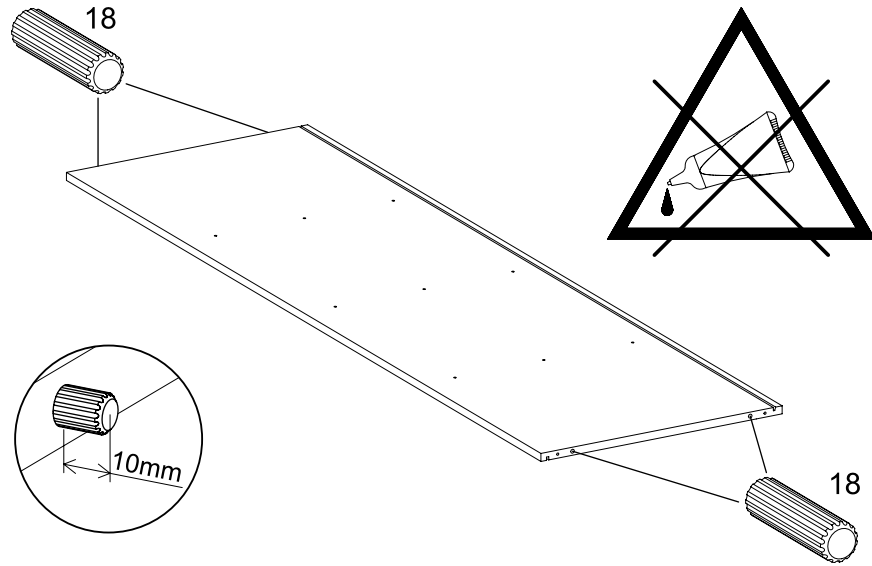
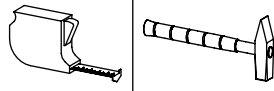
1x ① 

1x ⑦79  6,5x12

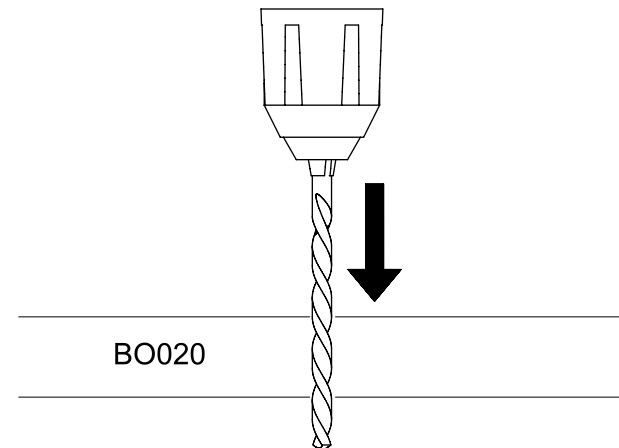
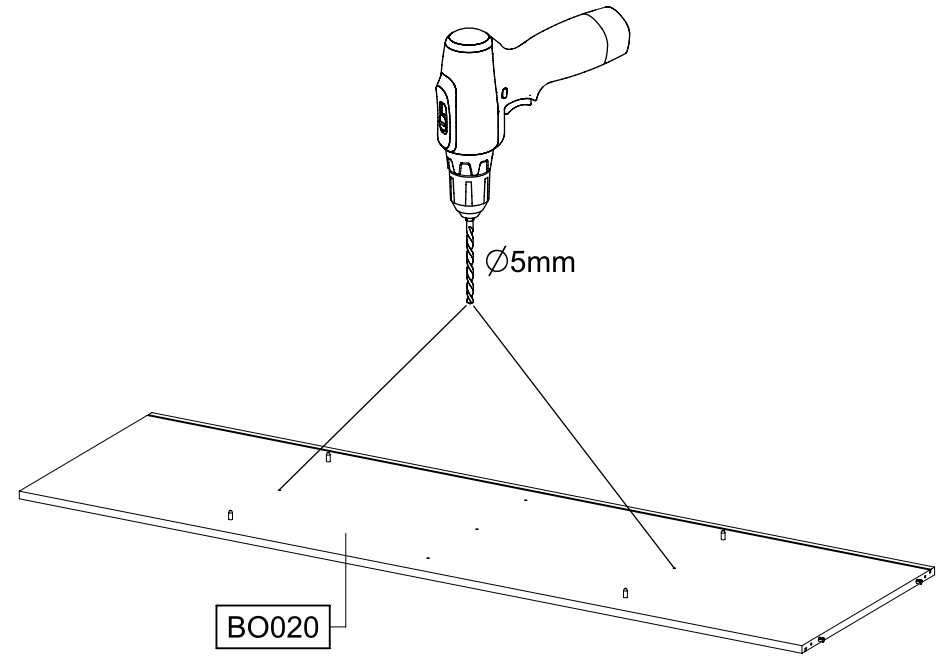
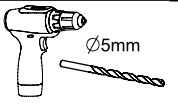
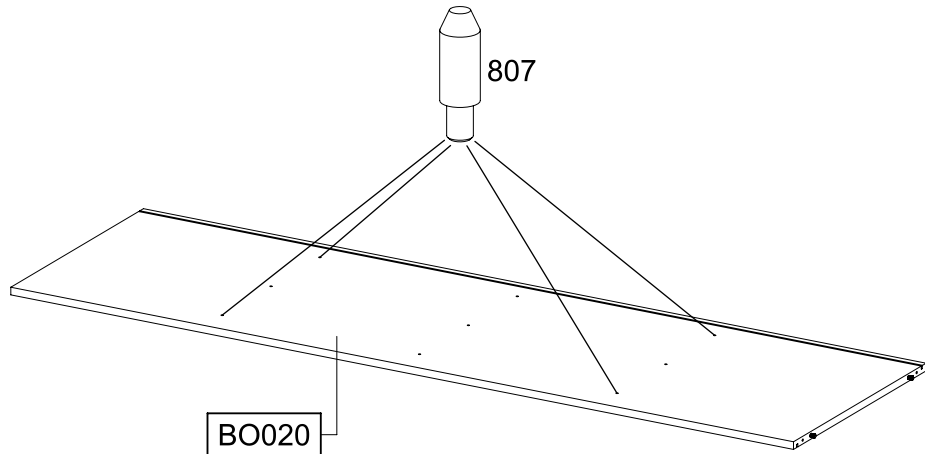
PZ2 



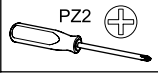
4x 18 8x30



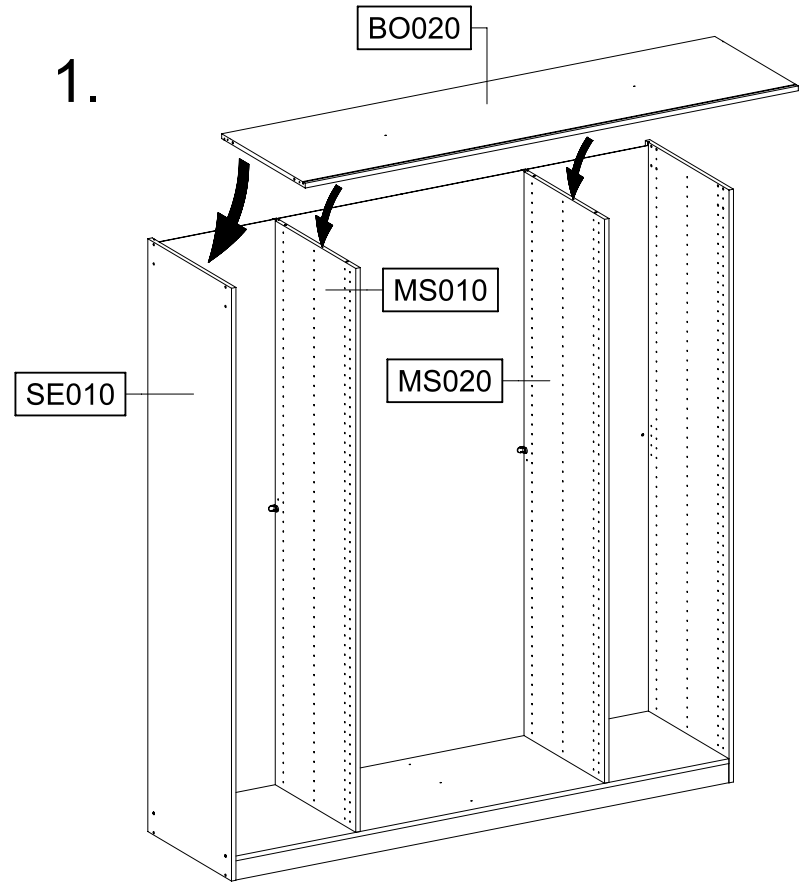
4x 807



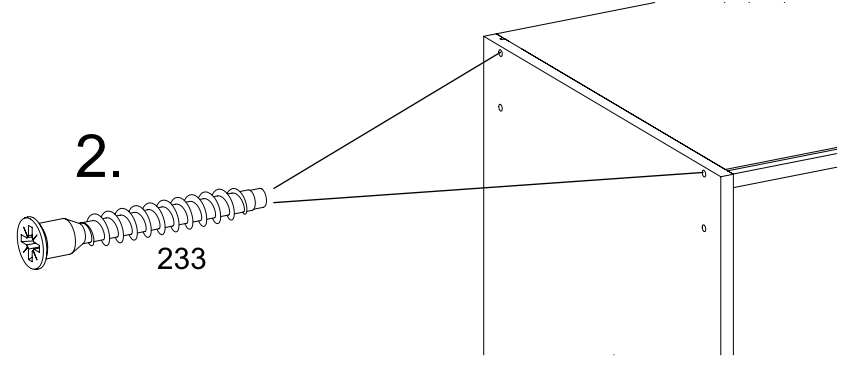
2x 233 6,3x50



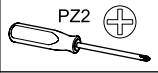
1.



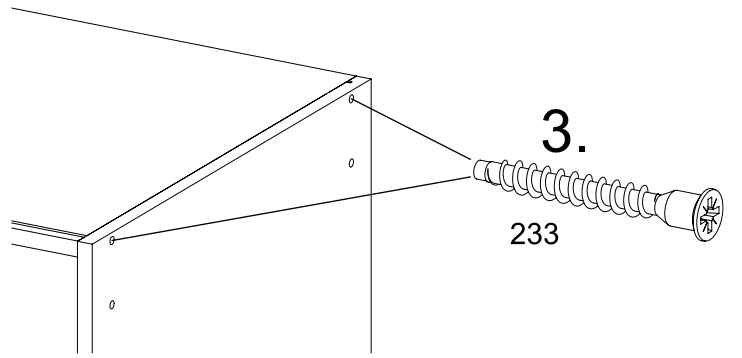
2.



4x 233 6,3x50

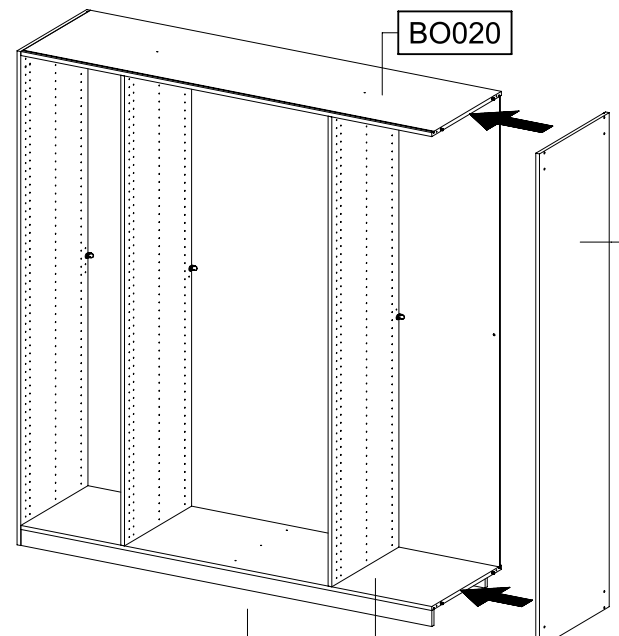


3.

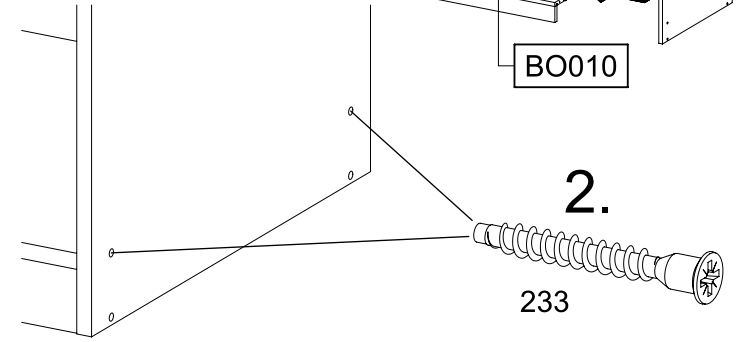



SE020

1.

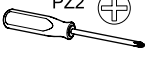


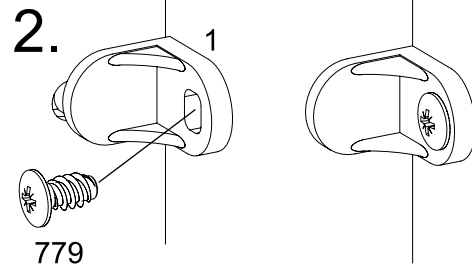
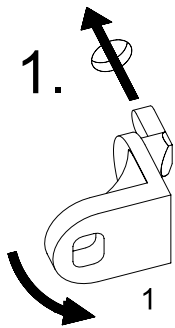
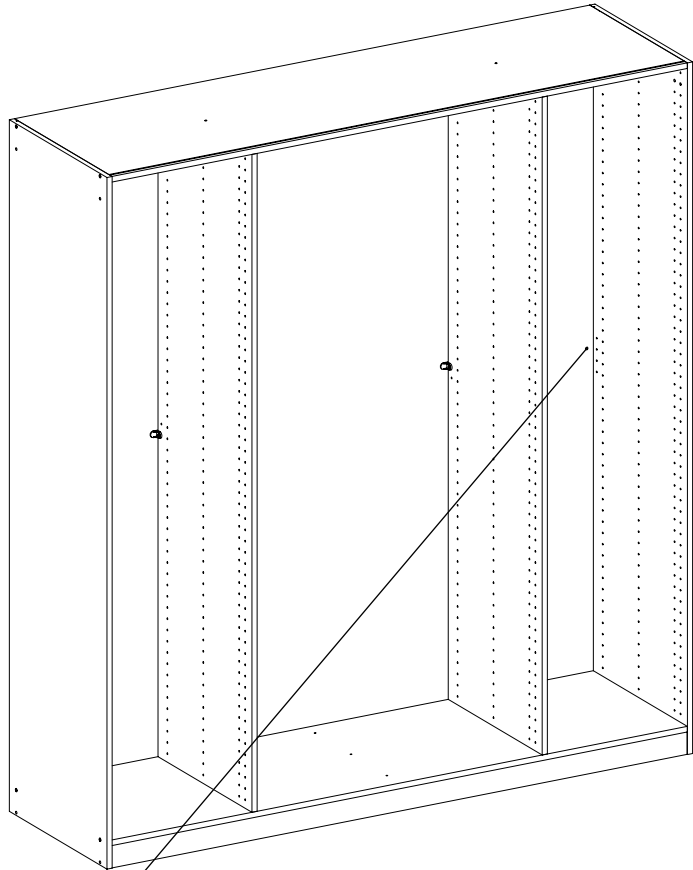
2.

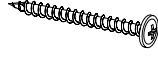


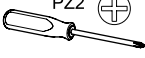
1x ① 

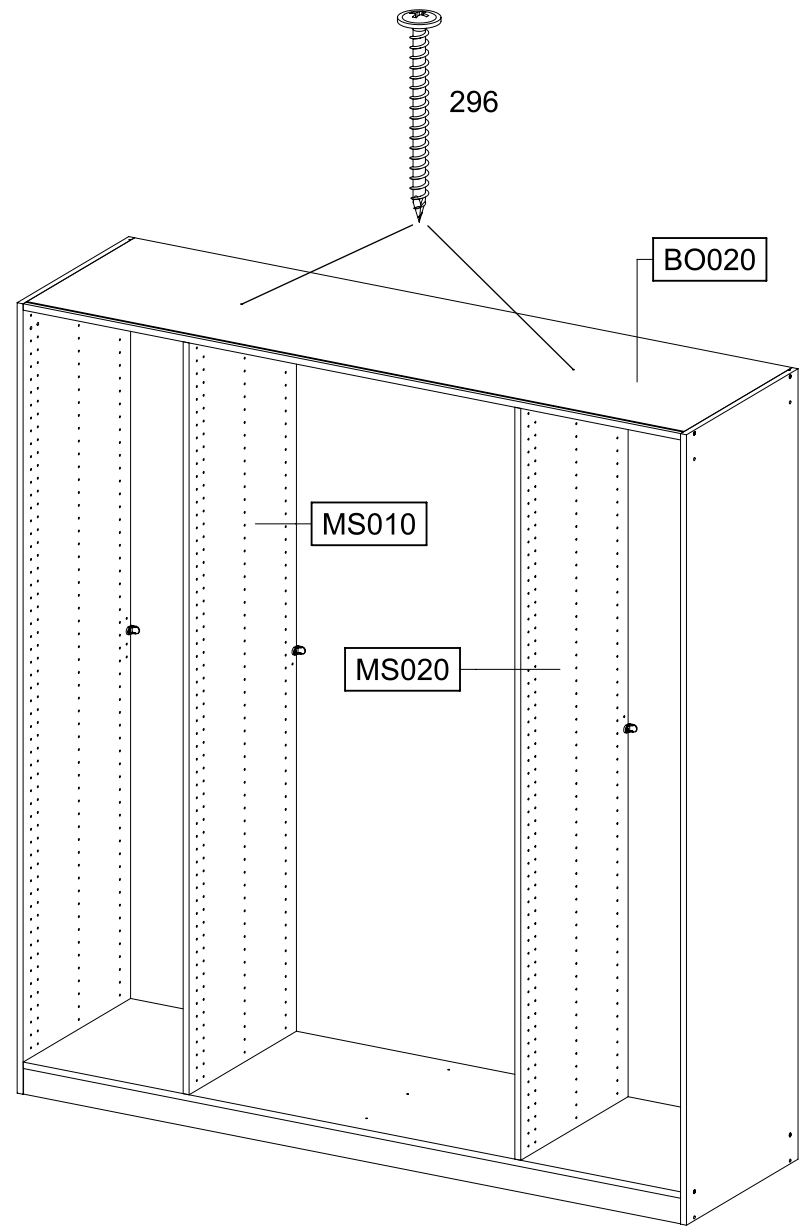
1x ⑦79  6,5x12

PZ2 



2x ②96  4,5x50

PZ2 



MS010

MS020

BO020

296

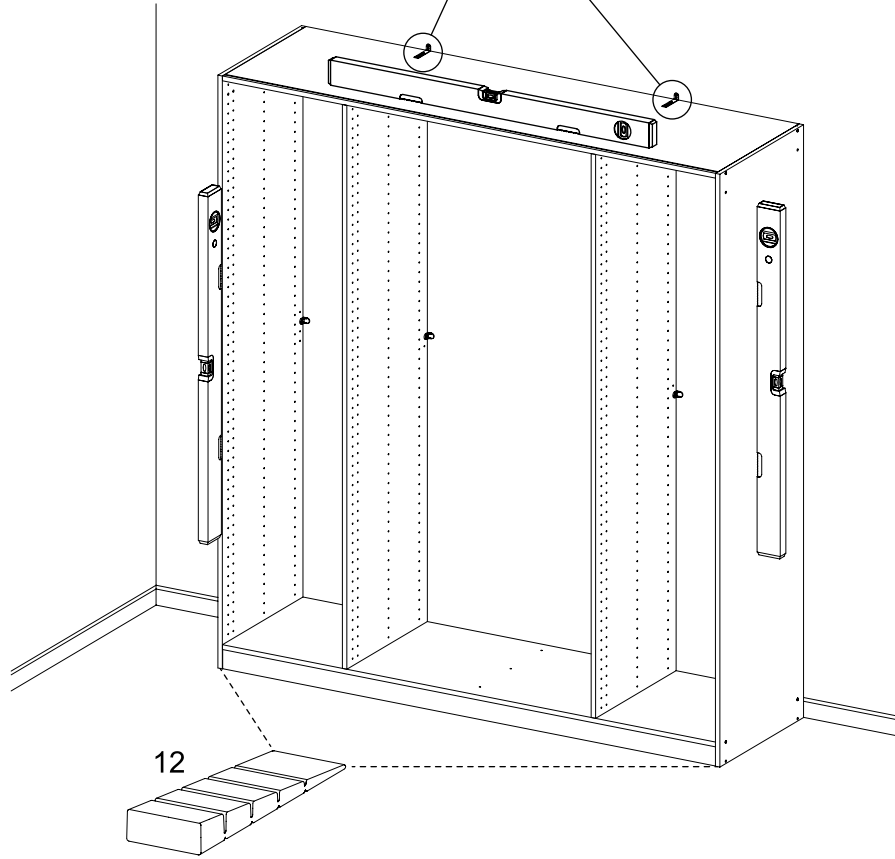
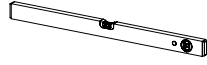
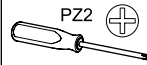
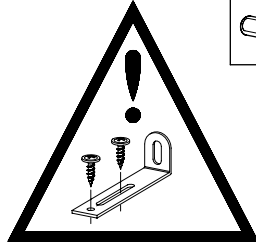
0-2x 12 55x16x6,2

4x 201 4x15

2x 68 77x22x15



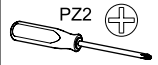
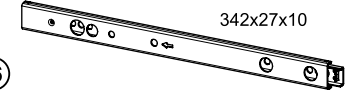
SCAN ME



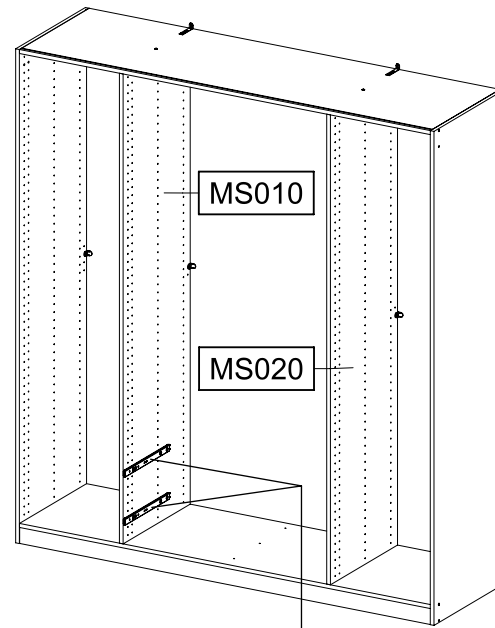
12

2x 205 3,5x15

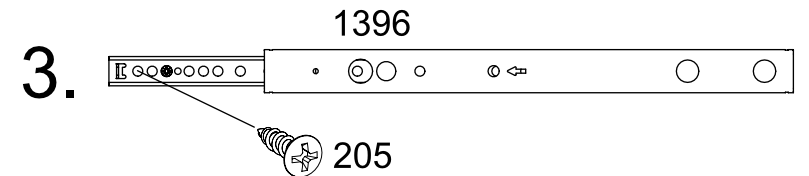
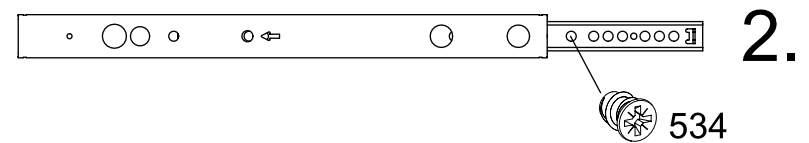
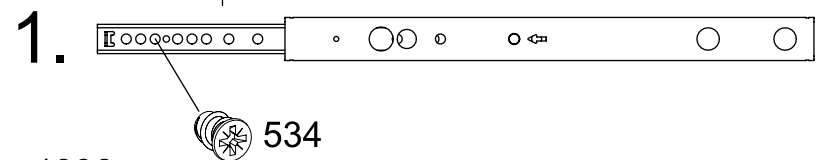
2x 1396

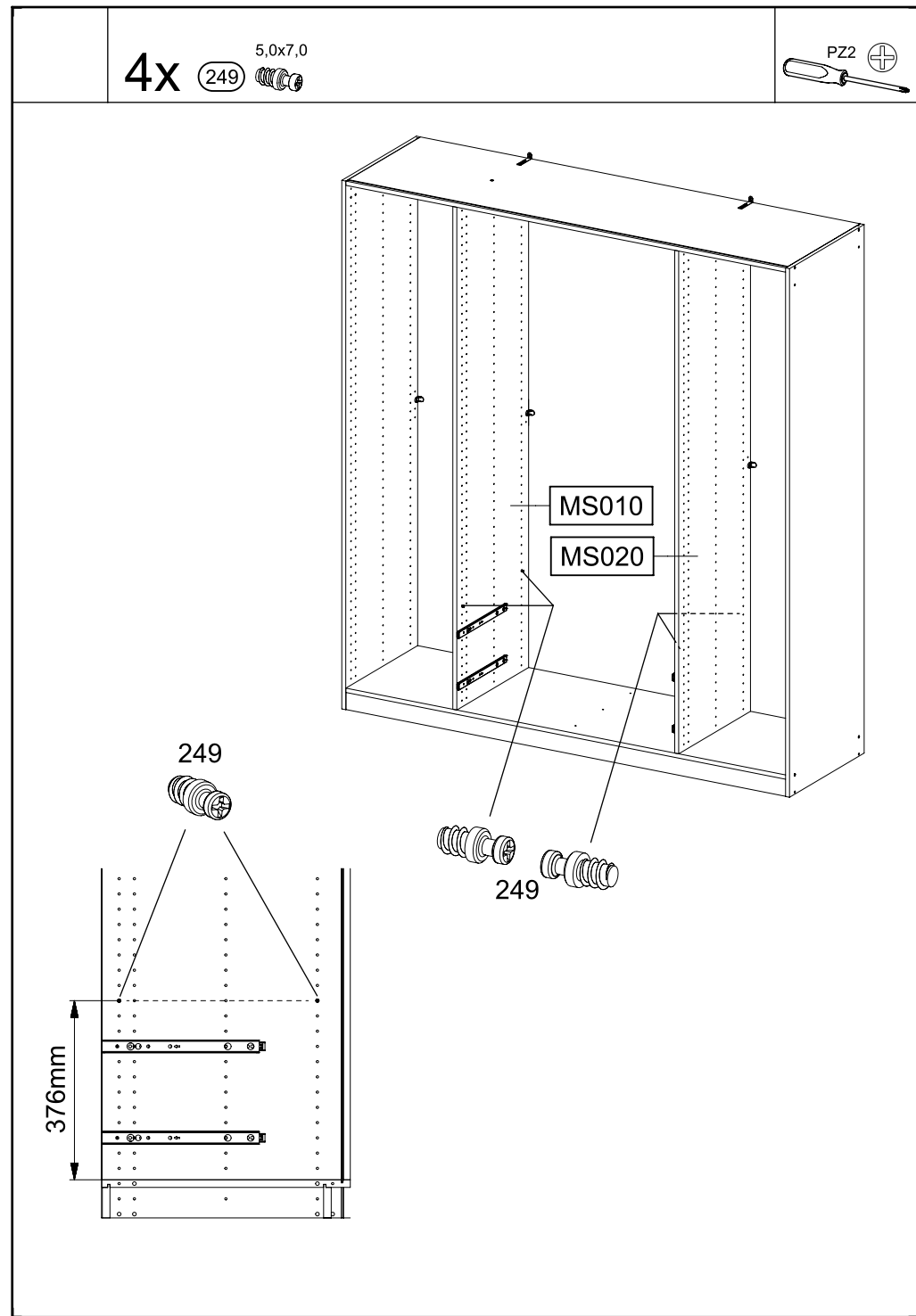
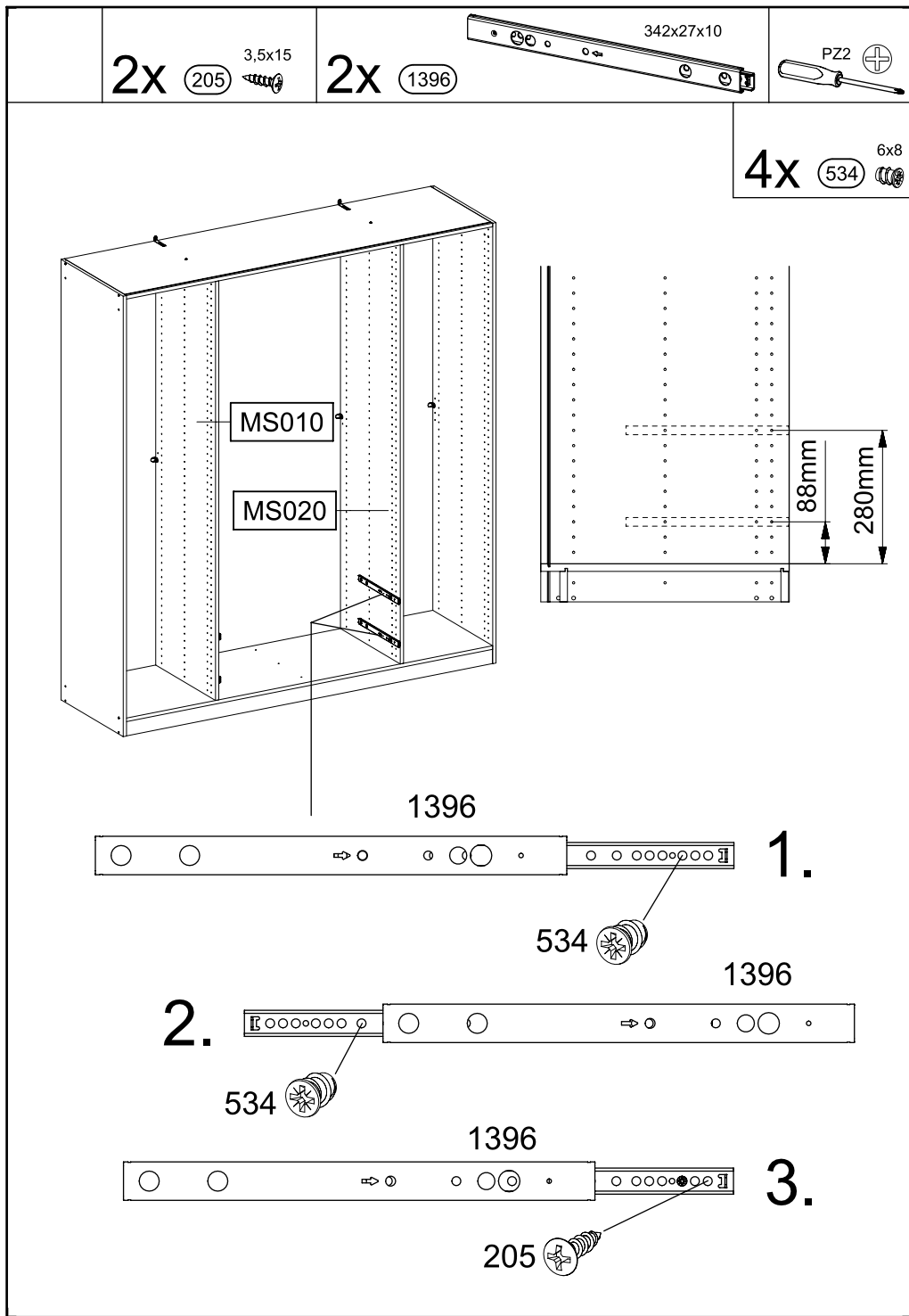


4x 534 6x8

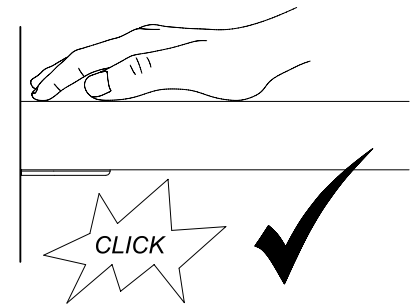
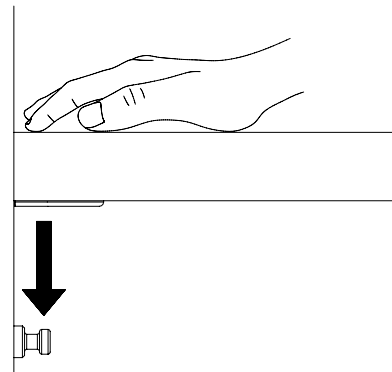
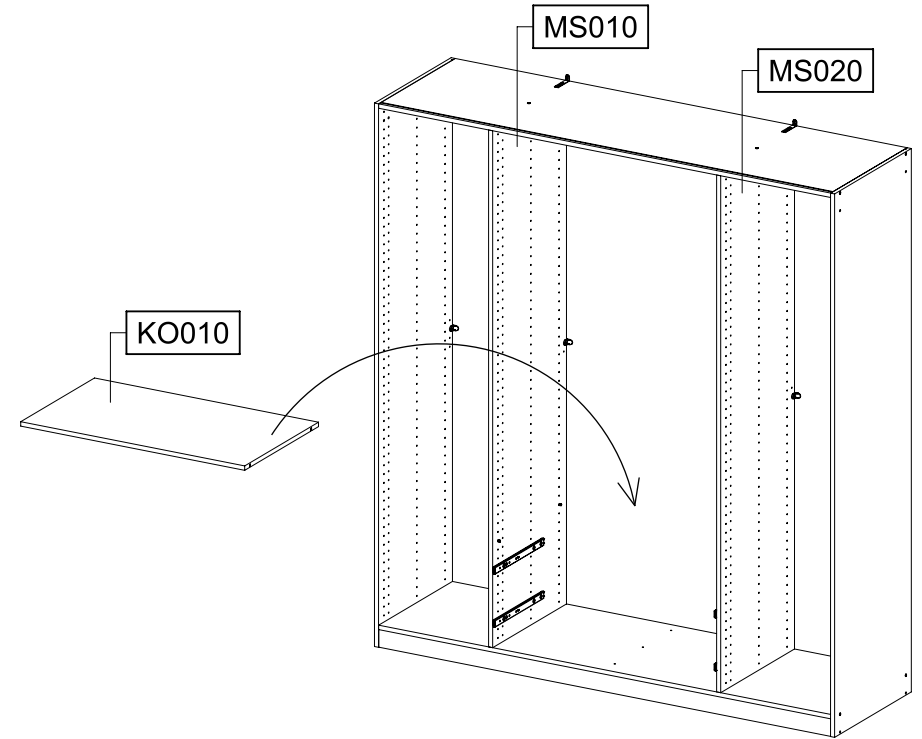
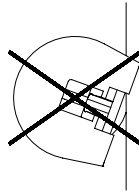
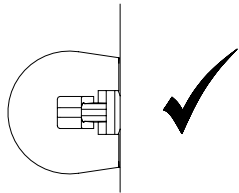
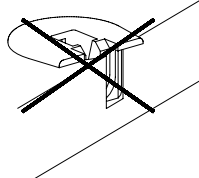
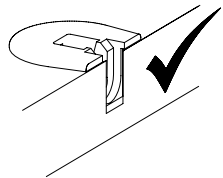
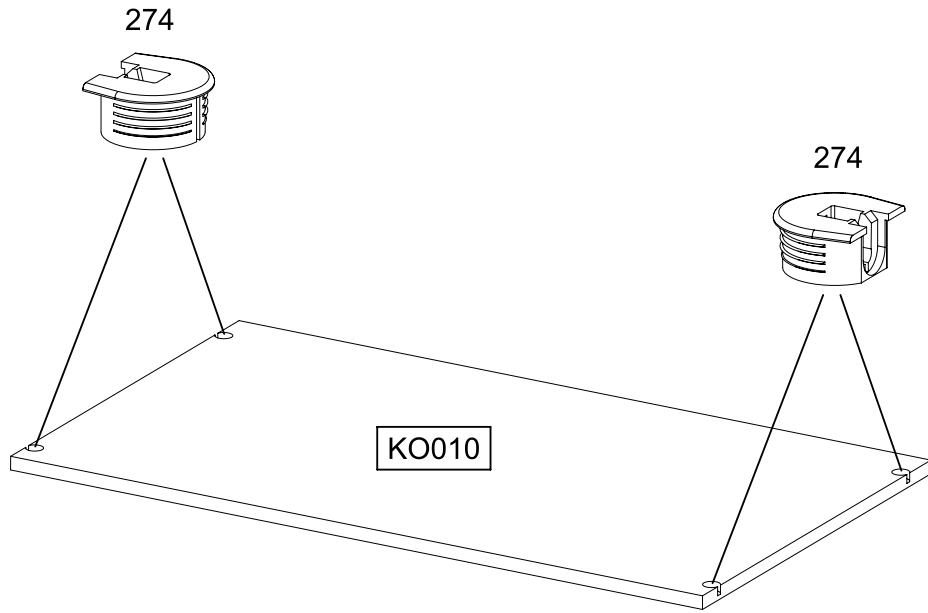
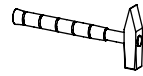


280mm
88mm



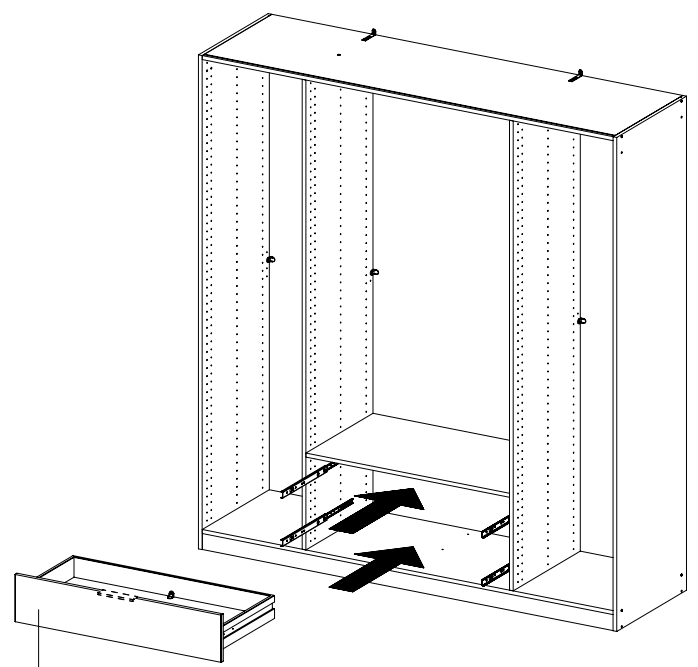


4x  

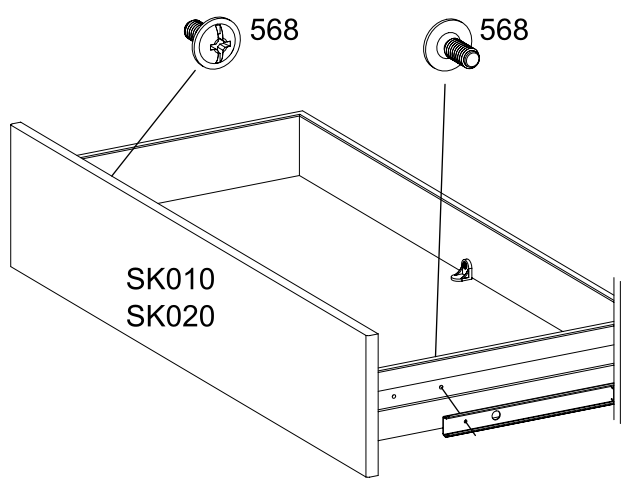


4x M4x9 568

PZ2

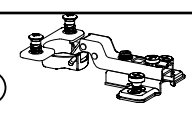


SK010
SK020

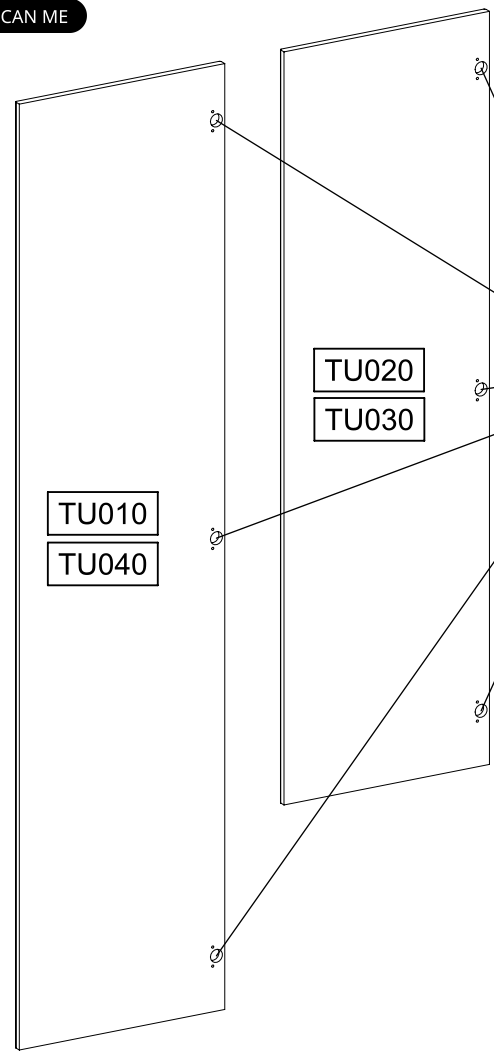


SK010
SK020

12x 116



PZ2

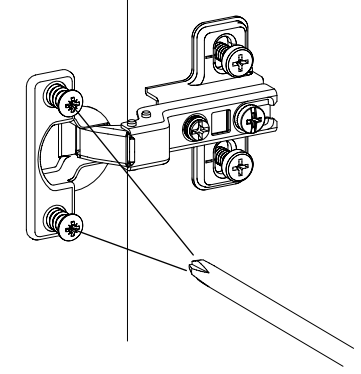


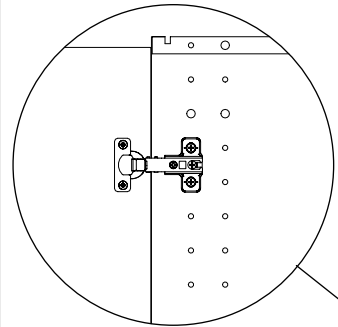
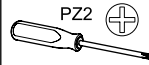
TU020
TU030

TU010
TU040

116

2.



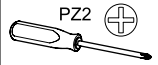
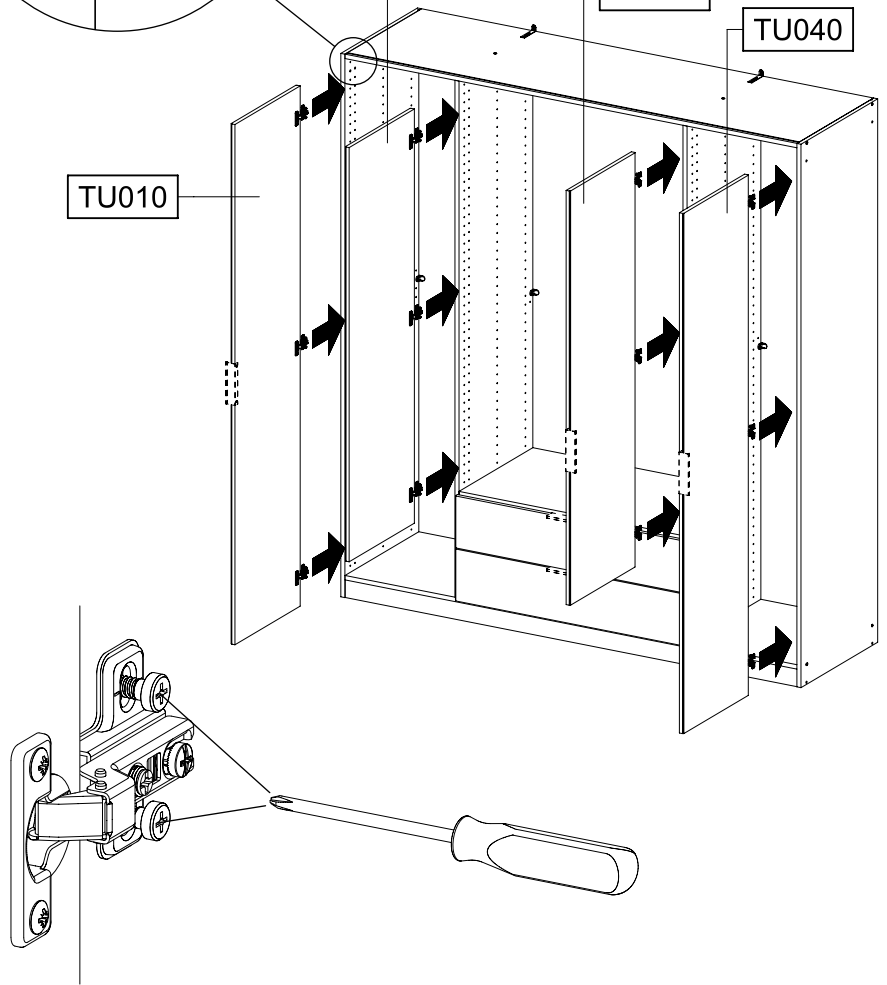


TU010

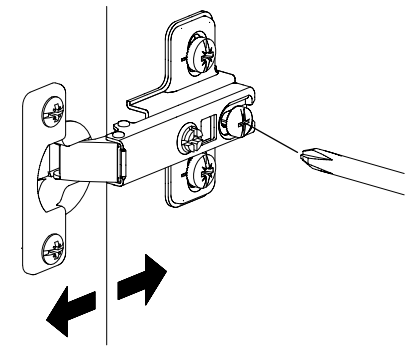
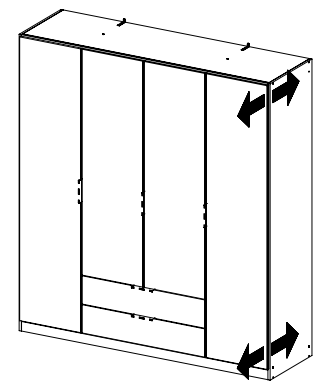
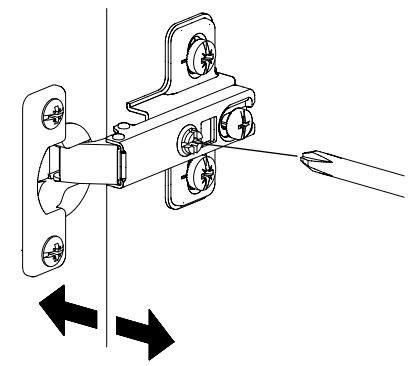
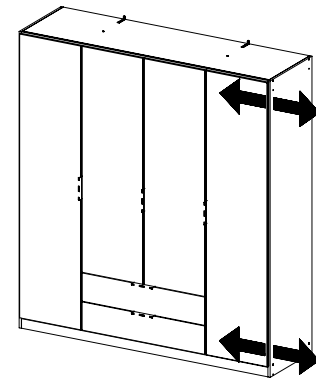
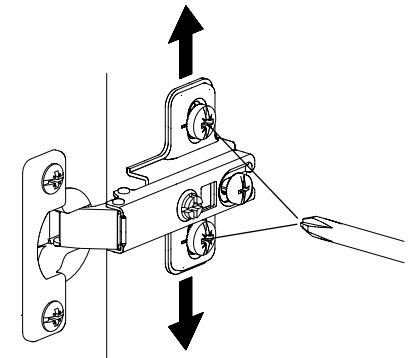
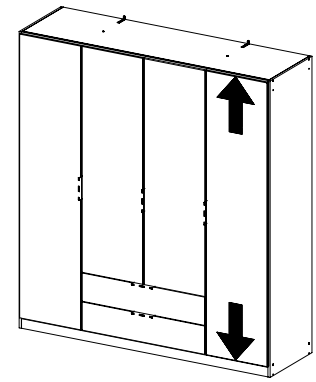
TU020

TU030

TU040

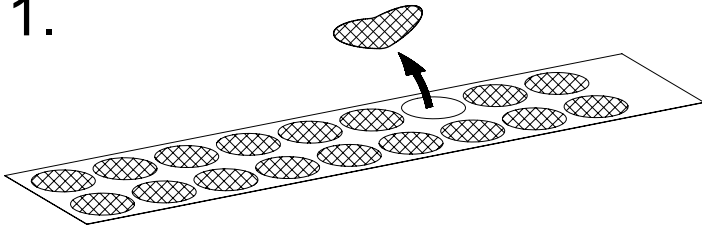


SCAN ME



1x RE010

1.



2.

