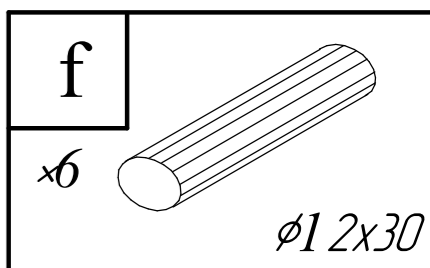
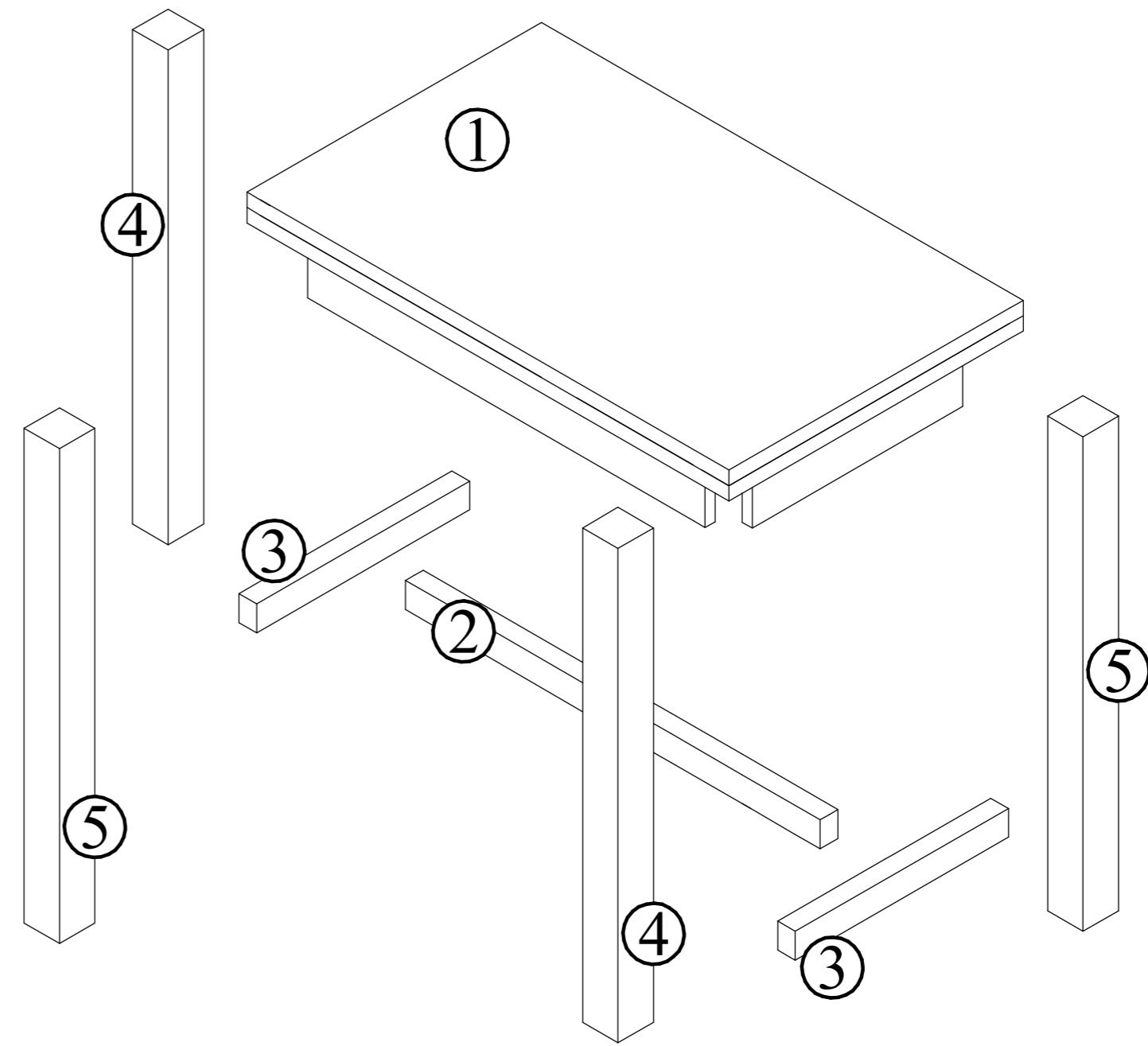
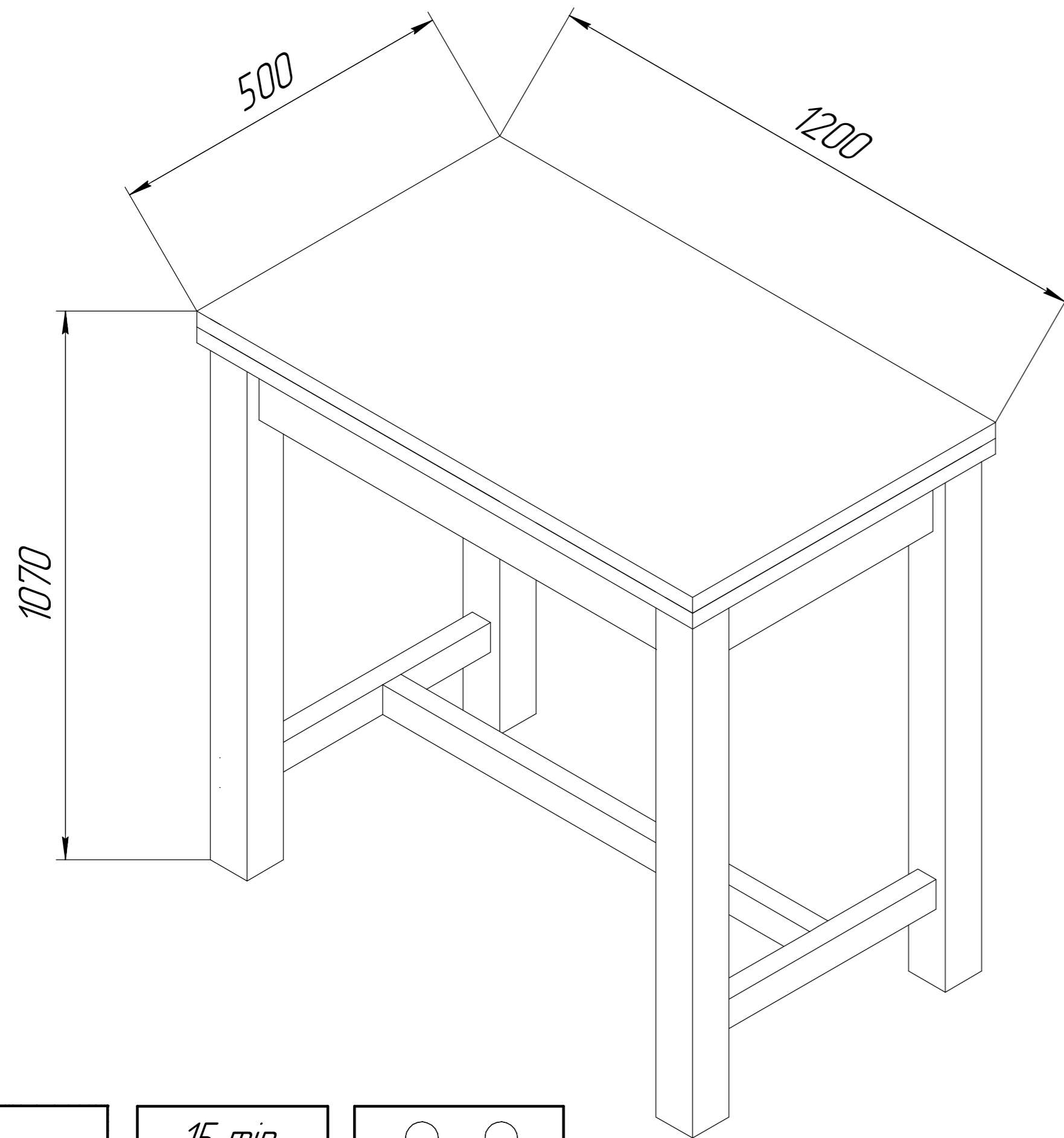
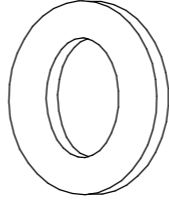
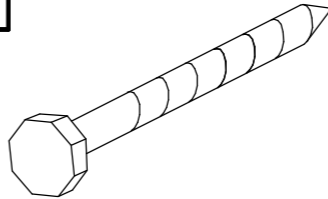
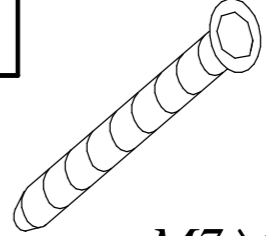

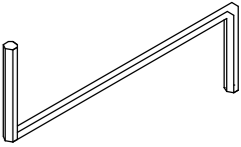
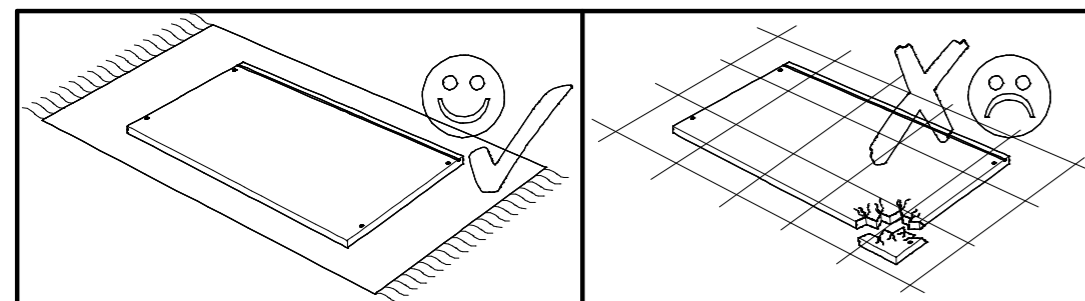
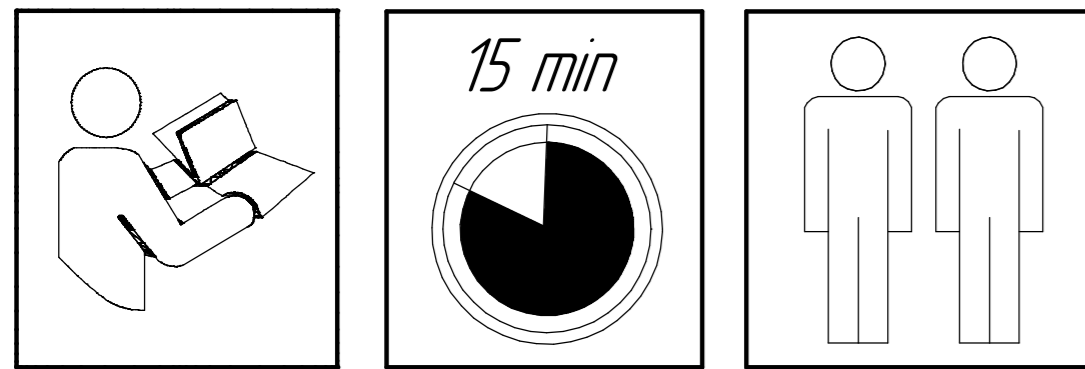


Montageanleitung

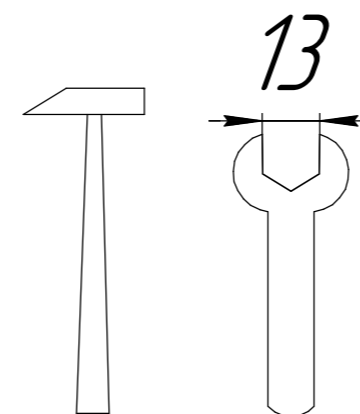


a x8	 M8	b x8	 $\phi 8 \times 80$	c x6	 M7 x 50	d x6	 $\phi 35$	e x1	 №4
----------------	---	----------------	---	----------------	--	----------------	--	----------------	---

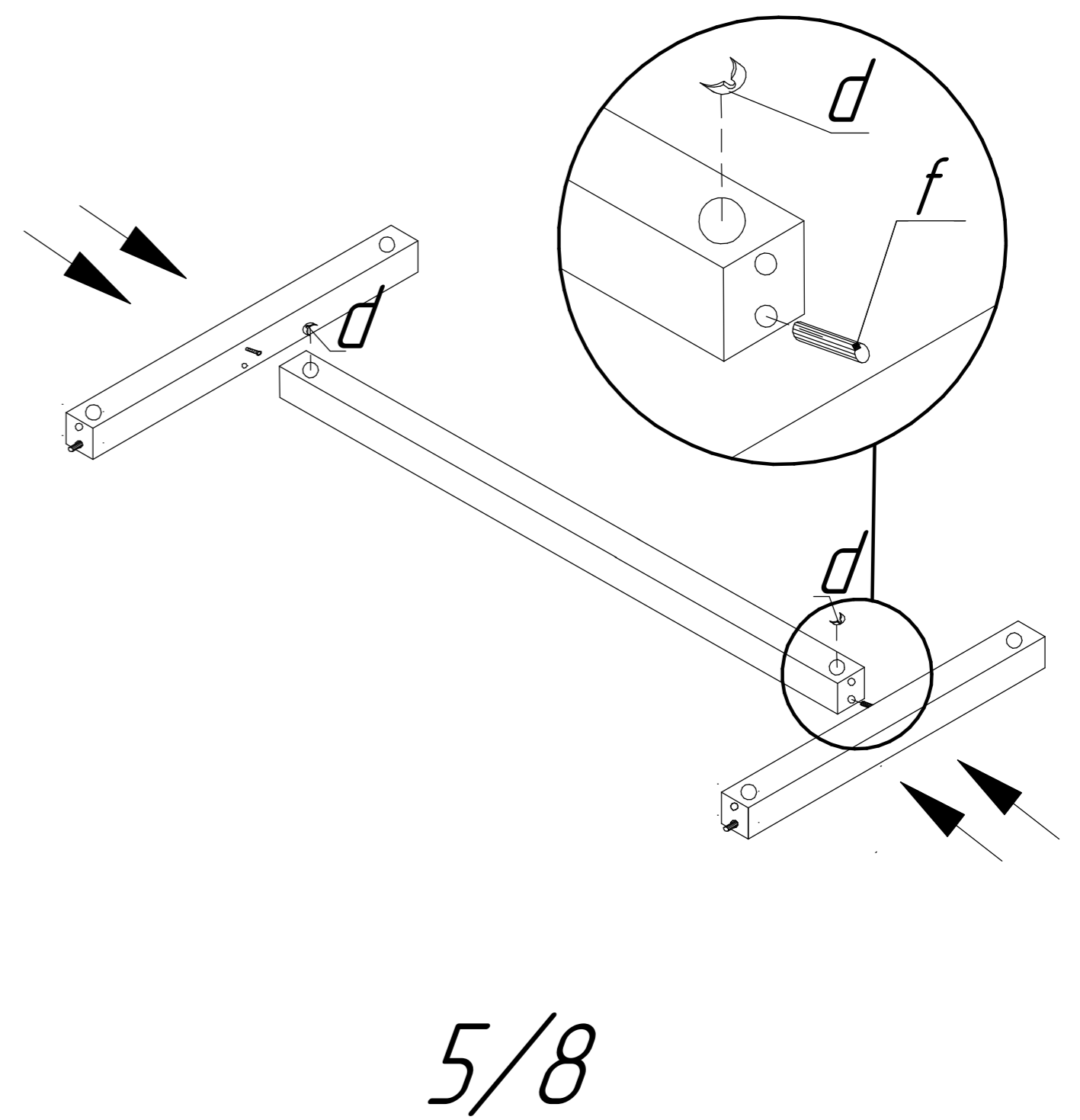
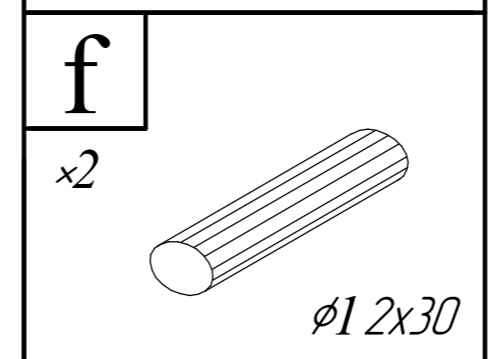
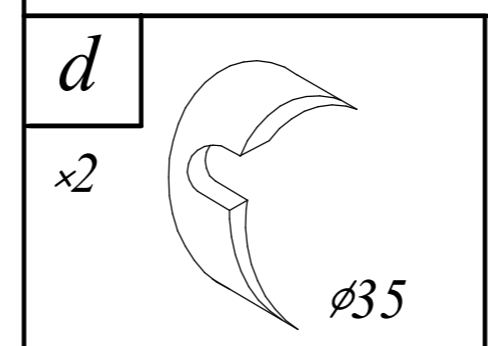
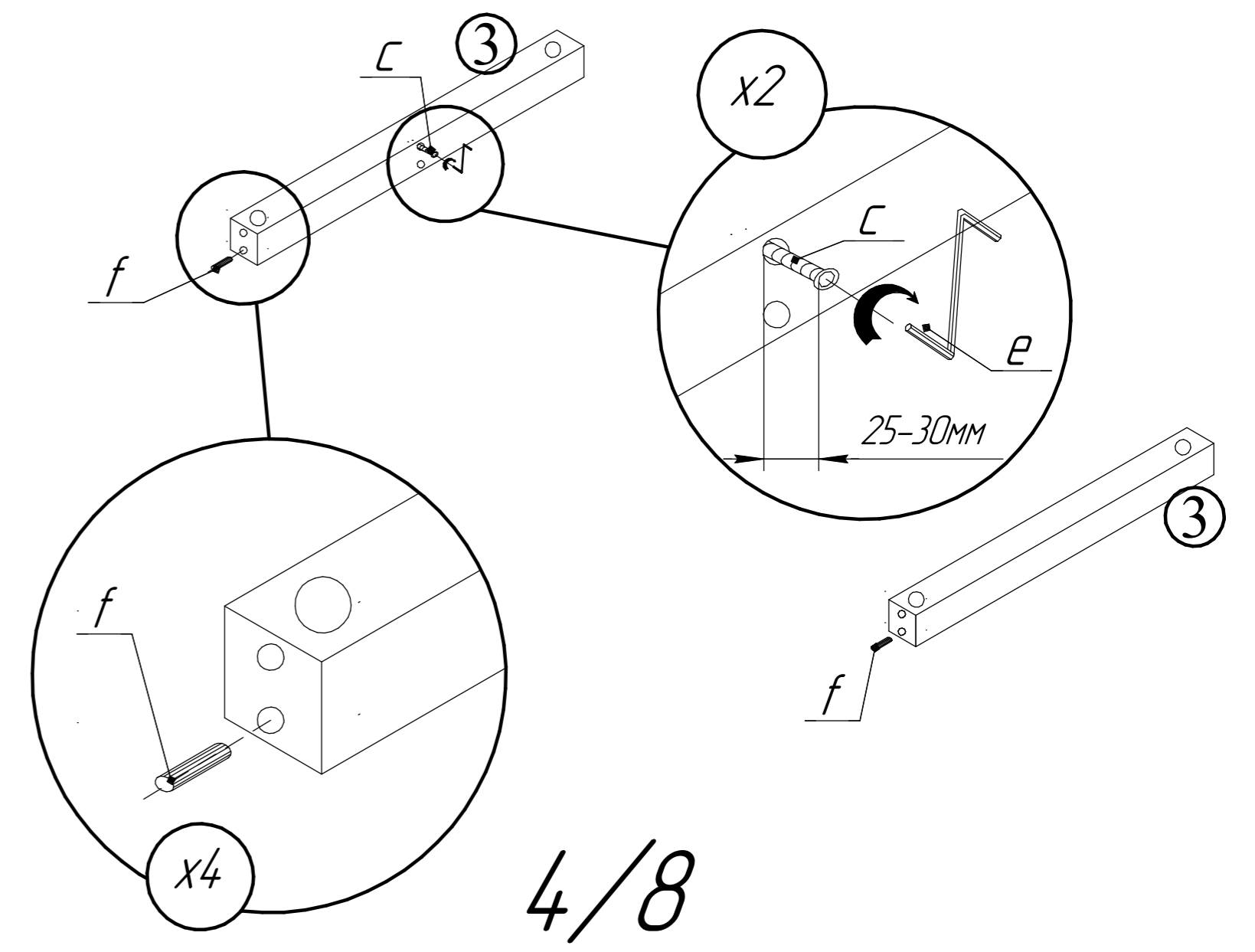
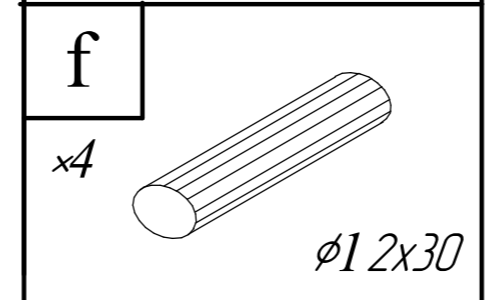
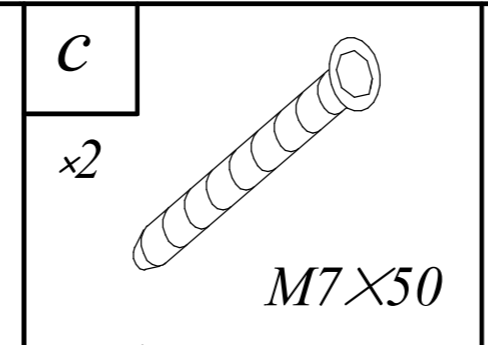
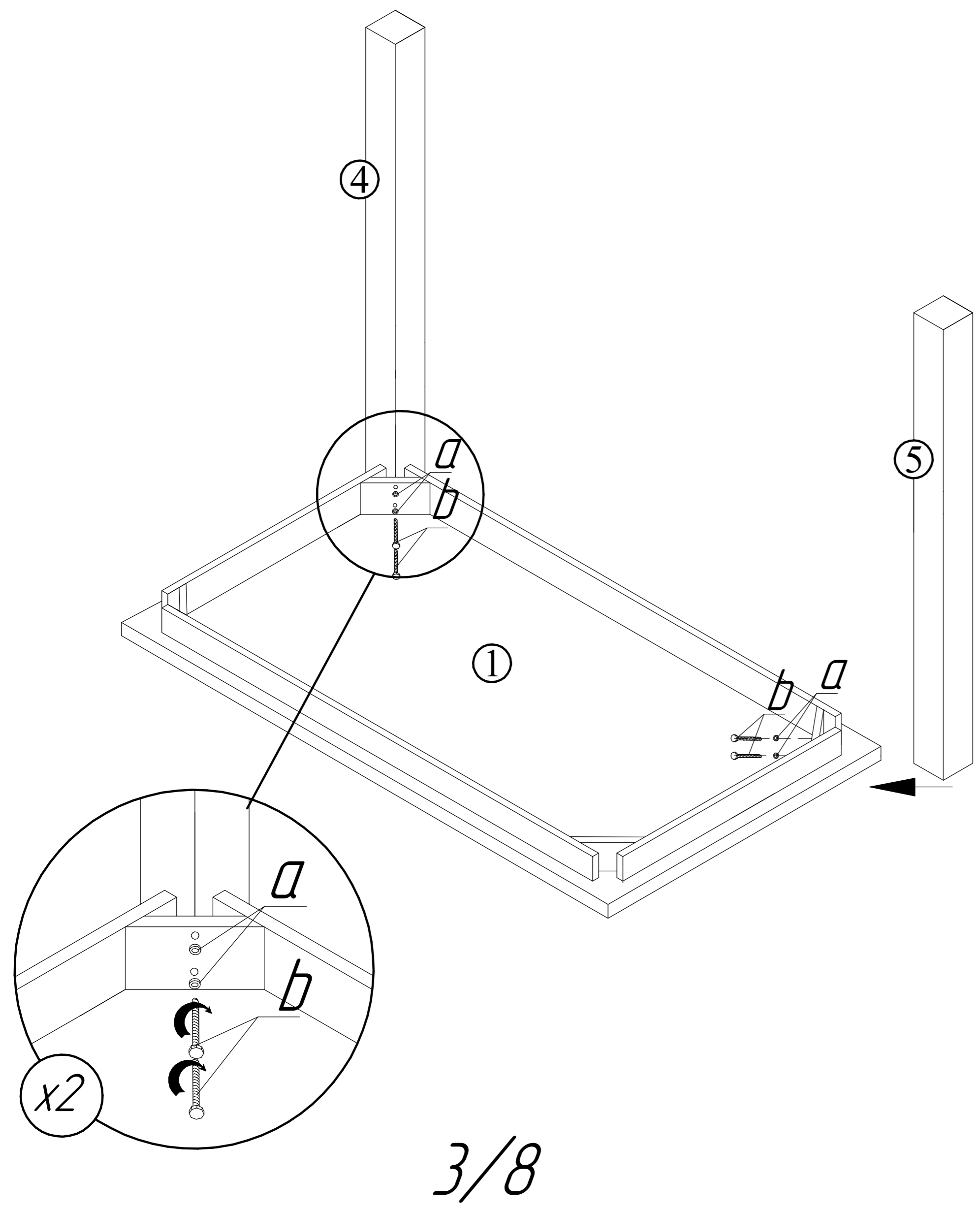
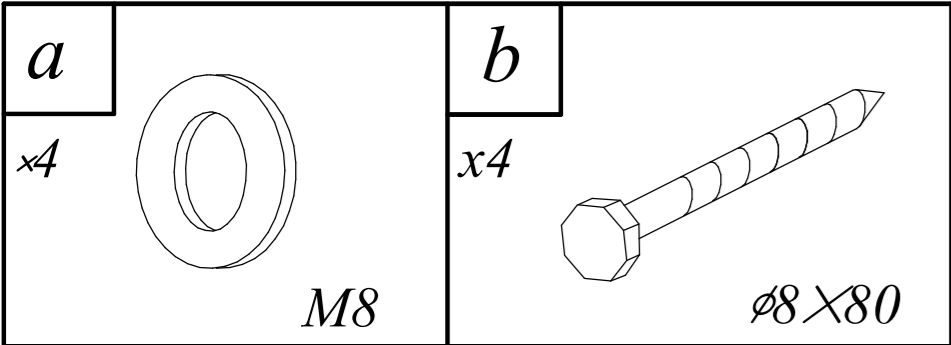
TEILE-NR	ANZAHL	MASS HxBxT (mm)	coll
①	1	1200x500x100	1.1
②	1	1082x50x50	1.1
③	2	372x50x50	1.1
④	2	1030x60x60	1.1
⑤	2	1030x60x60	1.1

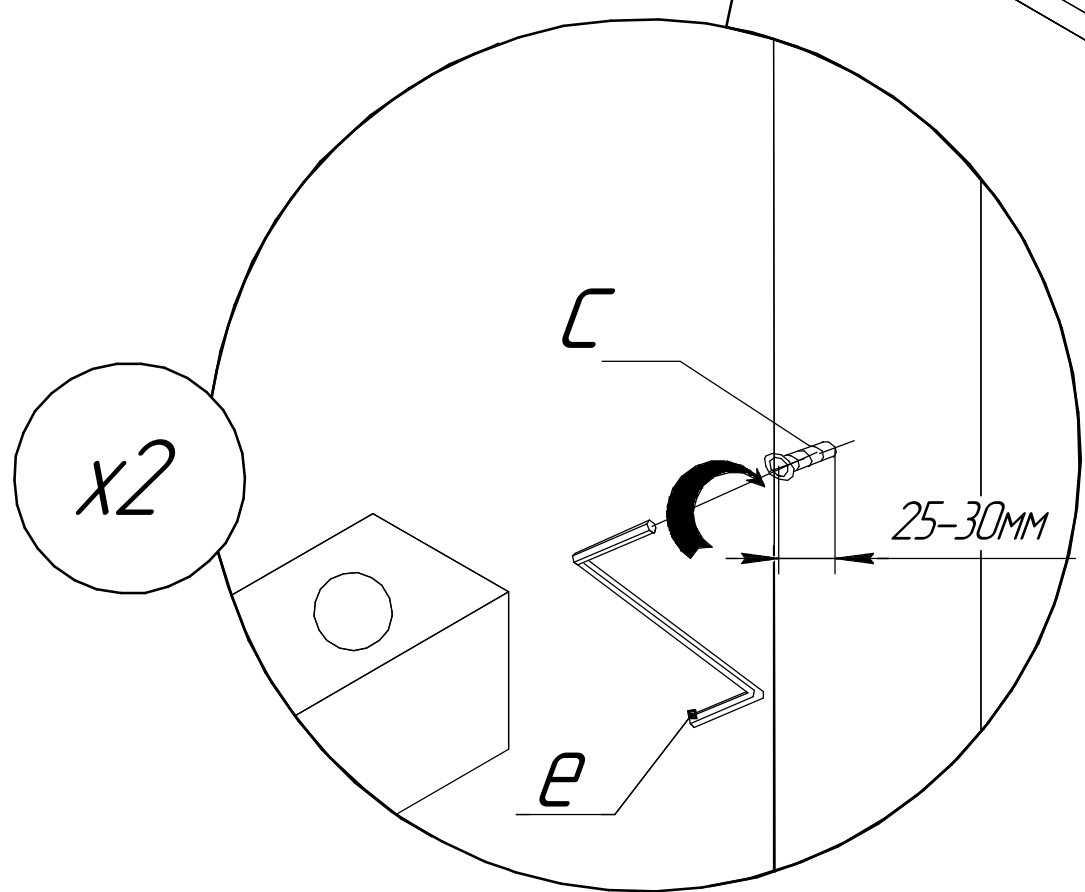
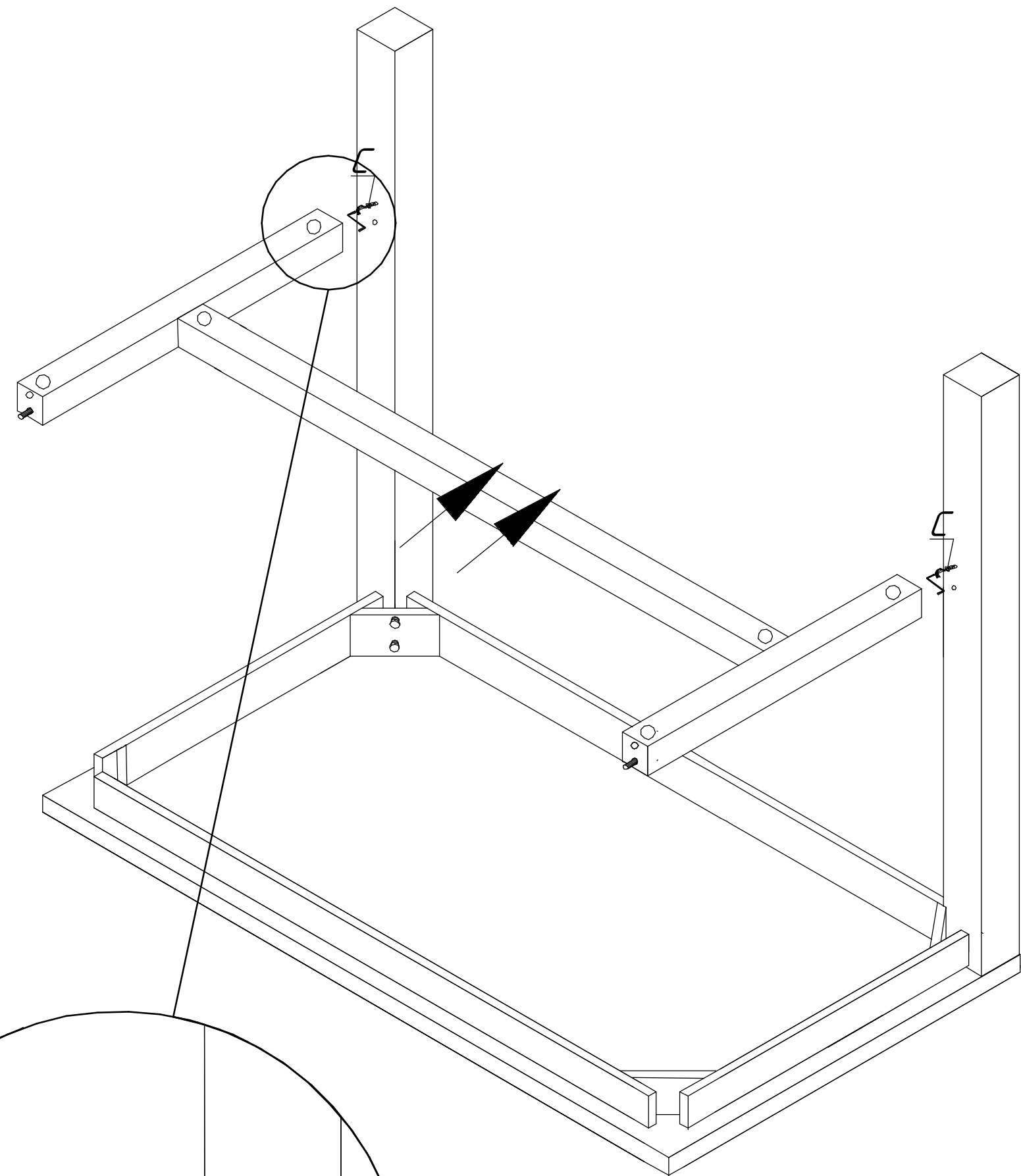
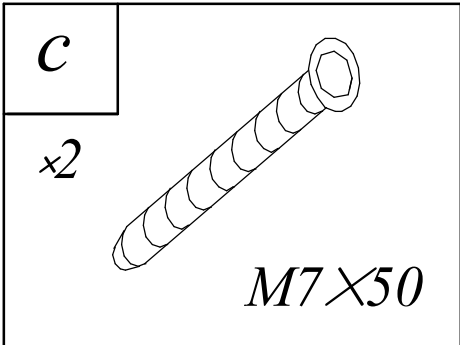


1/8

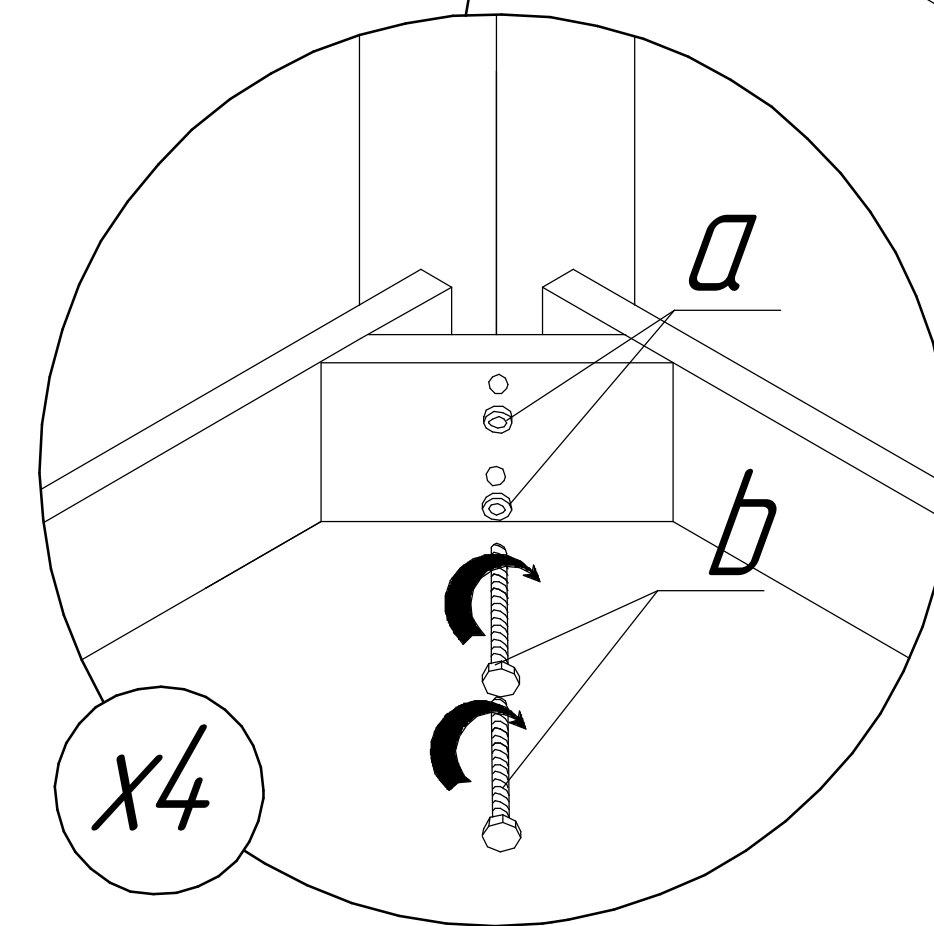
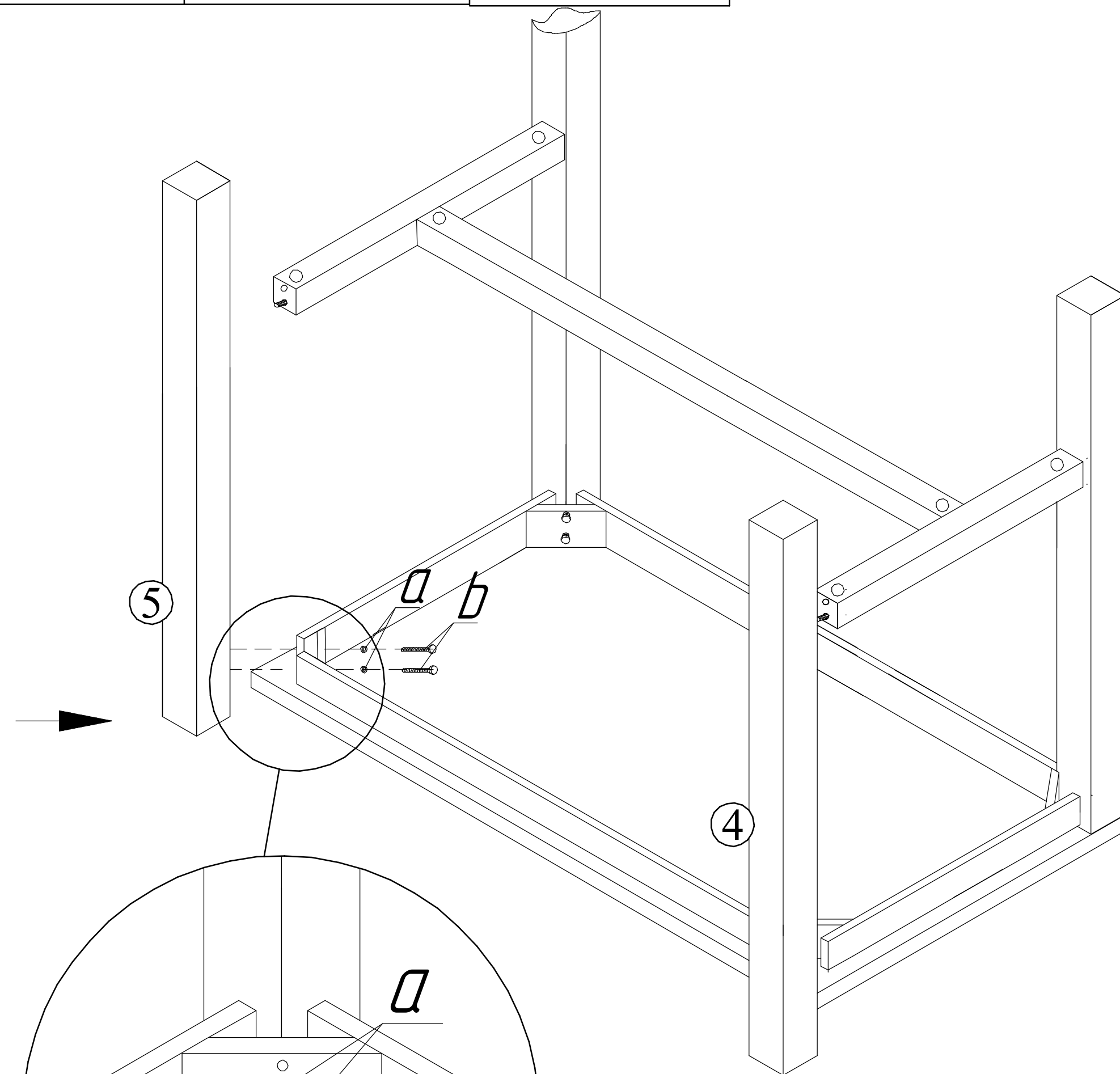
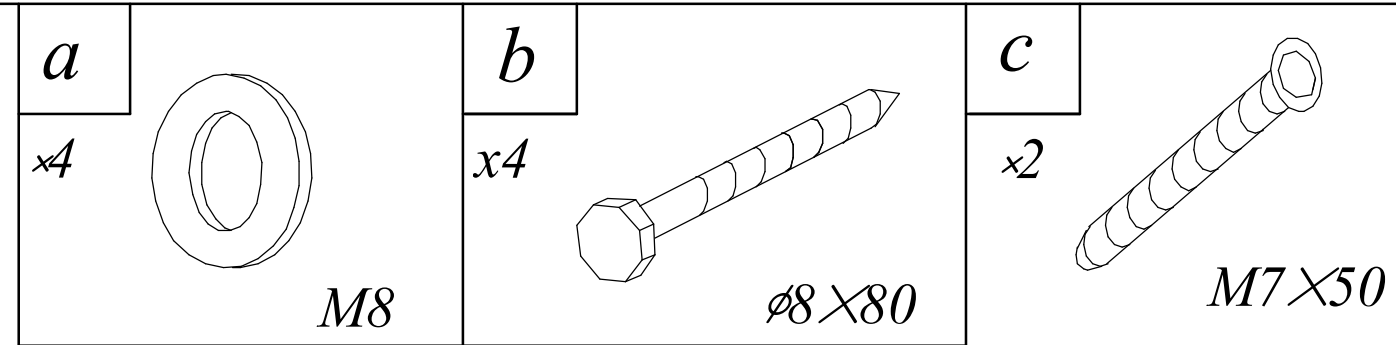


2/8





6/8



7/8

