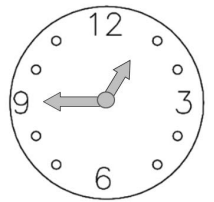
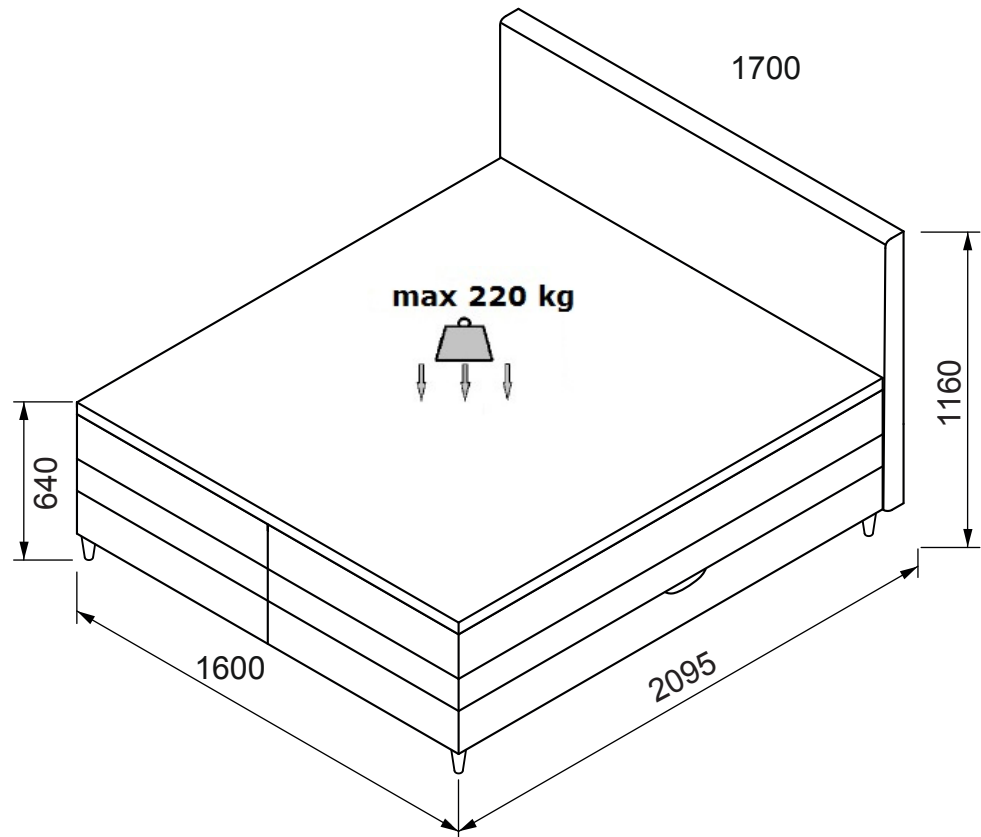


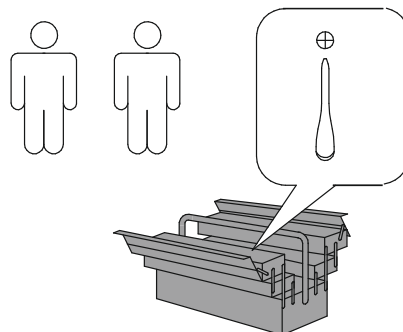
# MIAMI 1,6

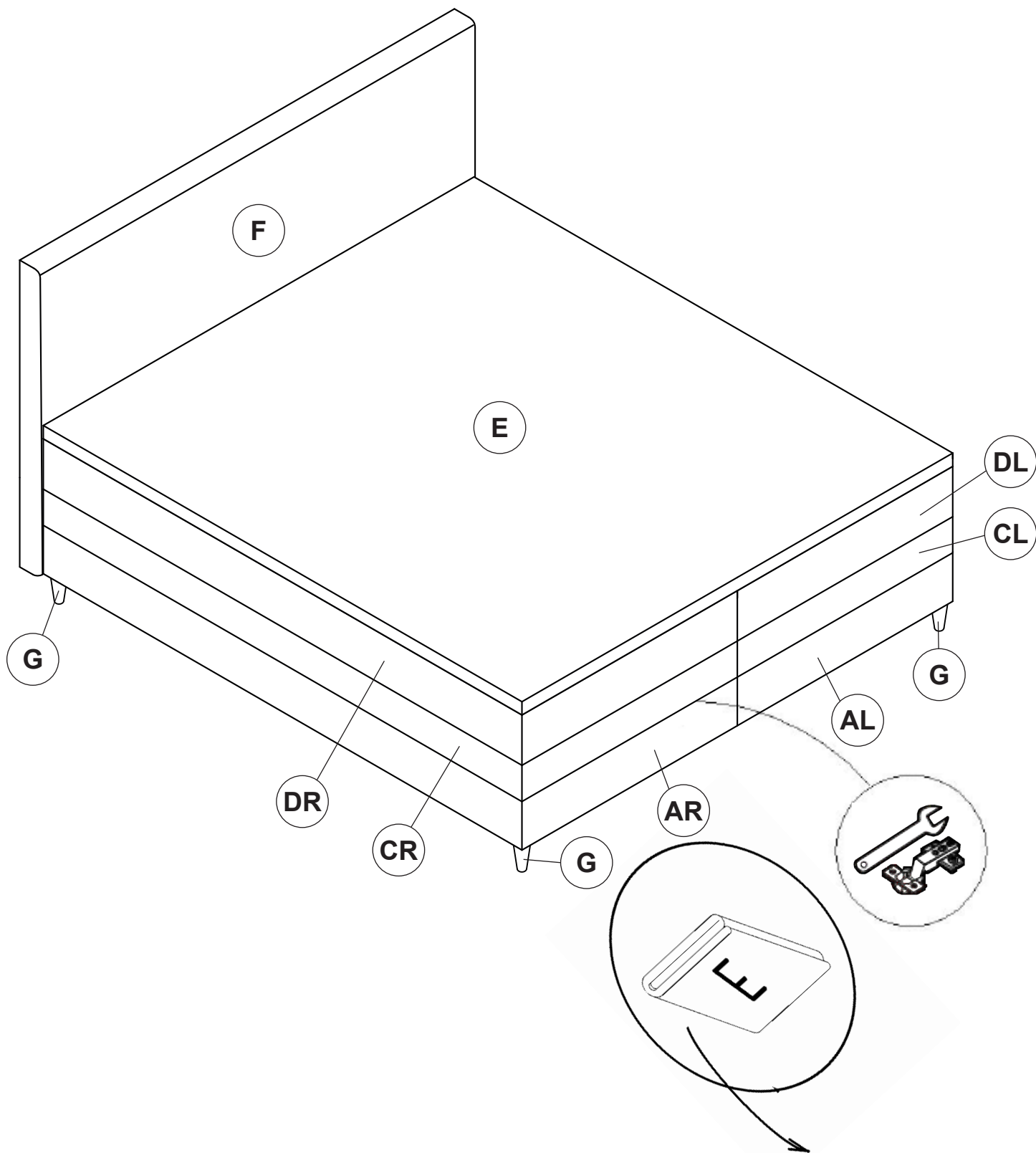


45min



- |    |                     |    |                     |
|----|---------------------|----|---------------------|
| DE | Montageanleitung    | HR | Upute za montažu    |
| SE | Installation manual | HU | Telepítési útmutató |
| CZ | Montážní návod      | SK | Inštaláčna príručka |
| EN | Installation manual | SI | Navodila za montažo |





		SIZE (mm)	QUAN	Nº PACK
1	<b>AL,AR</b>	2000x800x220	1	1/4, 2/4
2	<b>CL,CR</b>	2000x800x120	1	1/4, 2/4
3	<b>G</b>		4	1/4
4	<b>E</b>	2000x1600x40	1	1/4
5	<b>D</b>	2000x1600x170	1	3/4
6	<b>F</b>	1700x1075x95	1	4/4

① x2  
d36 h100

②  $\varnothing$  6x90 x8

③ x1

④ x8  
 $\varnothing$ 6 x18

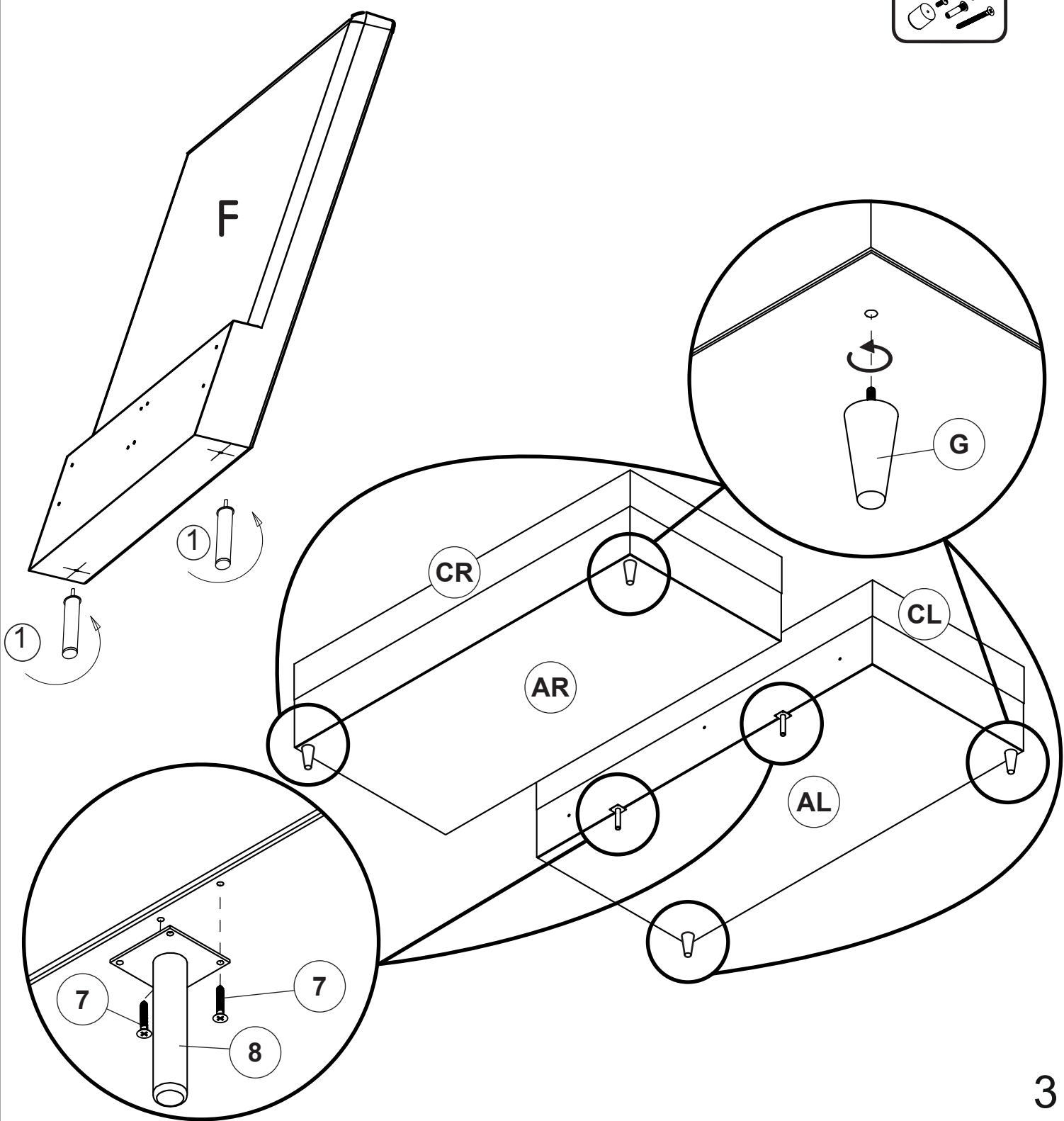
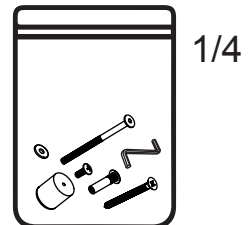
⑤ x3  
 $\varnothing$  6x15

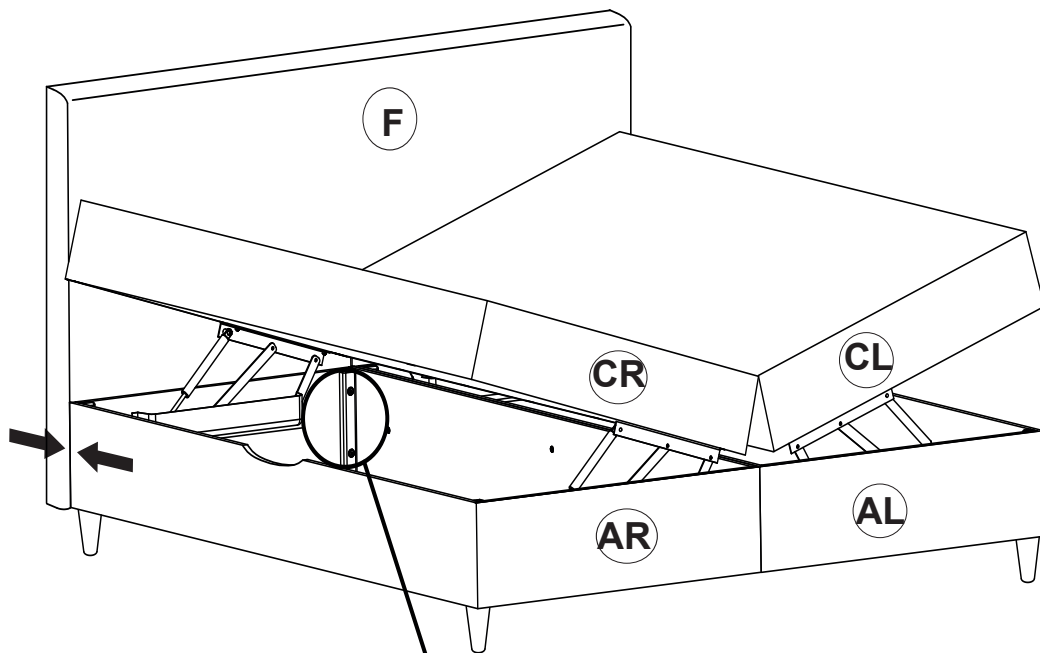
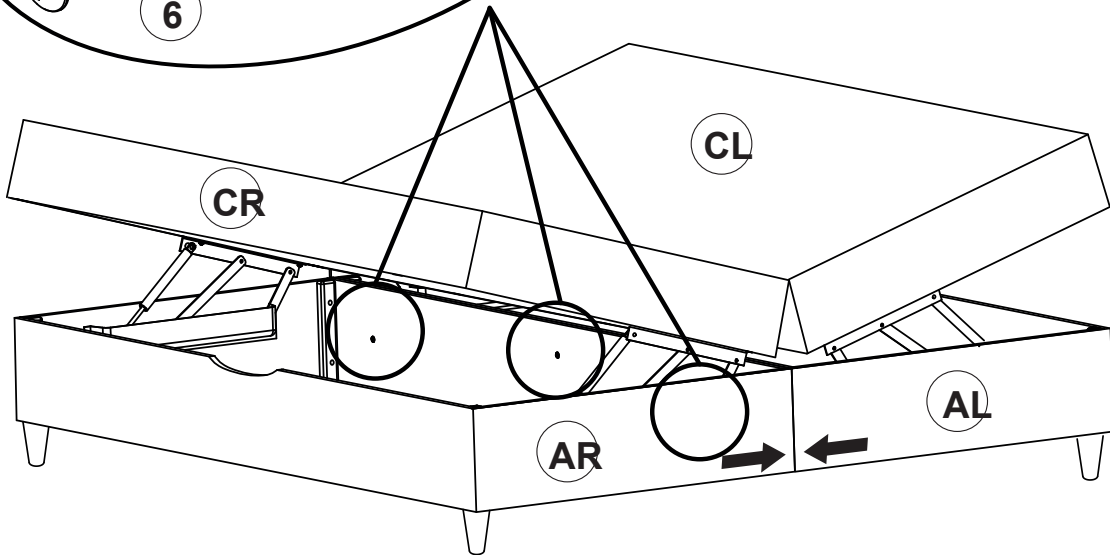
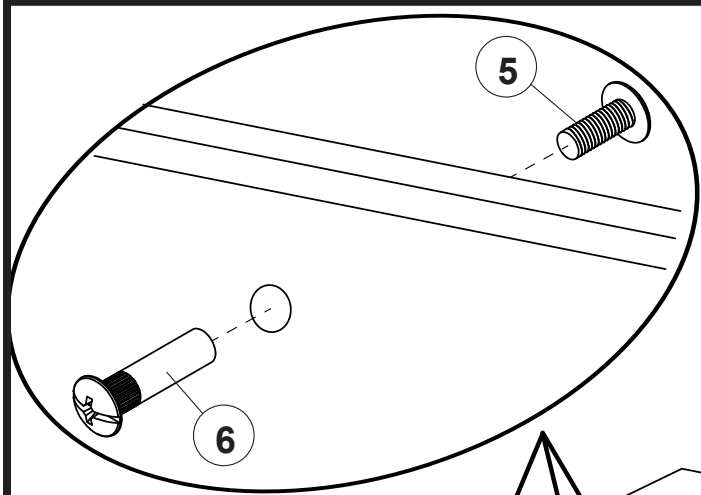
⑥ x3  
 $\varnothing$  8x30

⑦ x4  
4x30

⑧ x2  
d20 h100

⑦ d50 h100 x4





**x4**

