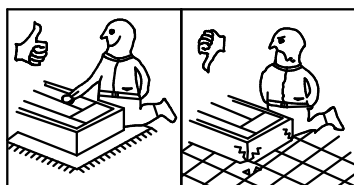
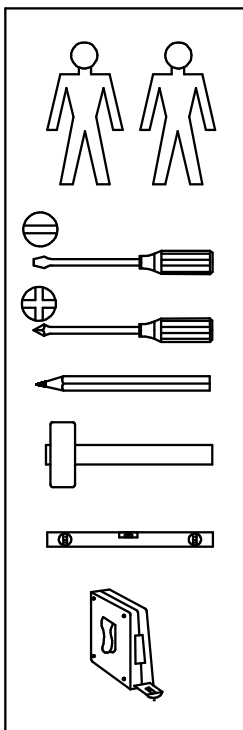
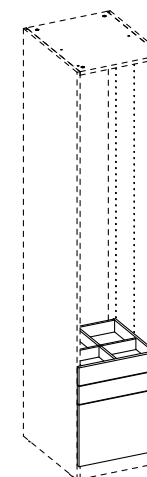
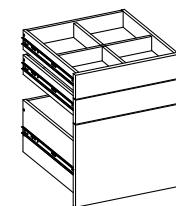
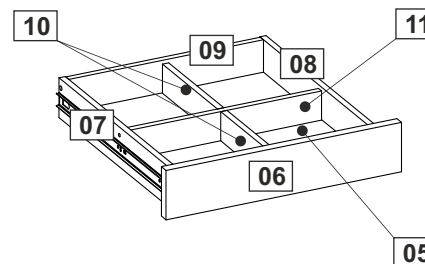
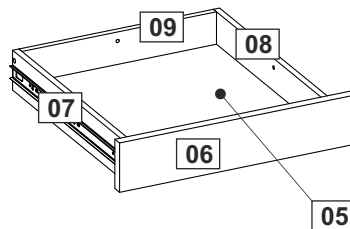
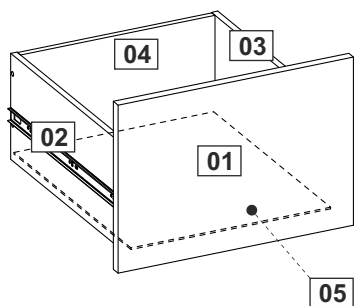


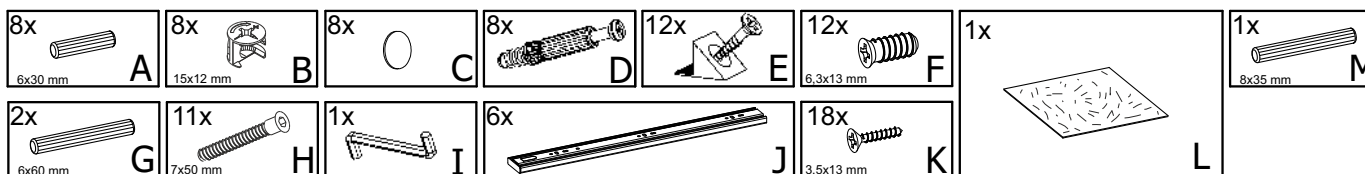
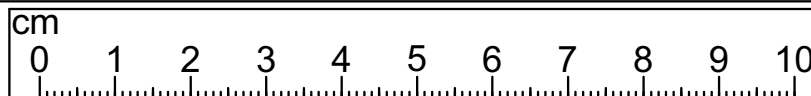
TYP 80,81



01	453x317x18	x1	1/1
02	450x200x12	x1	1/1
03	450x200x12	x1	1/1
04	374x200x12	x1	1/1
05	450x384x3	x3	1/1
06	453x93x18	x2	1/1
07	450x75x12	x2	1/1
08	450x75x12	x2	1/1
09	374x75x12	x2	1/1
10	212x55x12	x2	1/1
11	374x55x12	x1	1/1



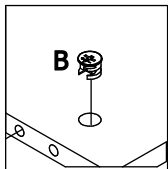
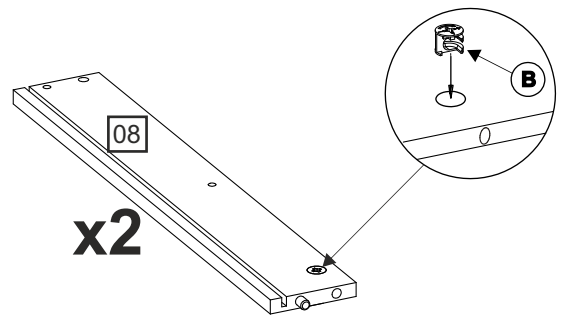
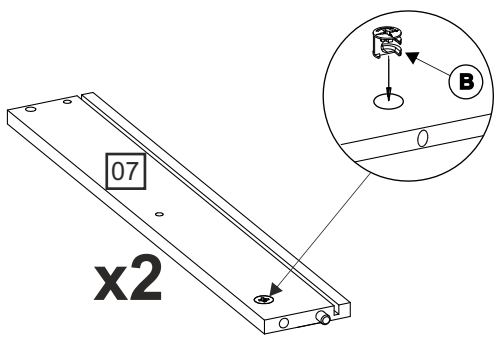
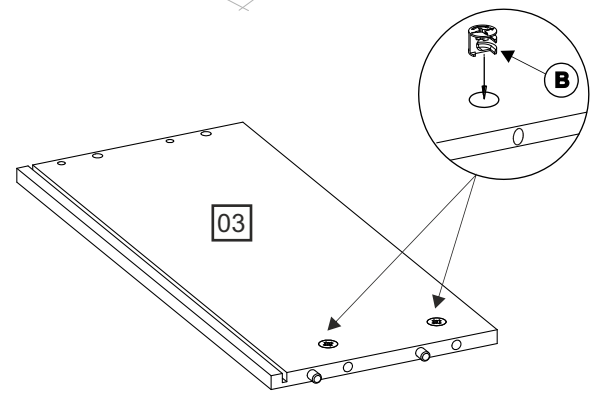
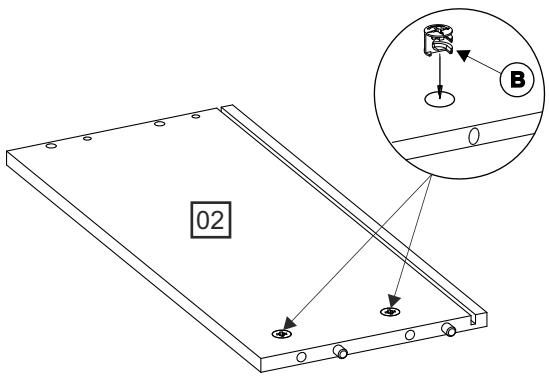
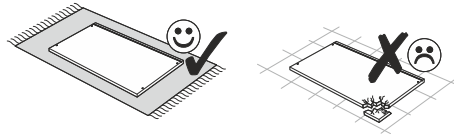
C 1/1



UNIT

1

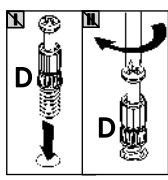
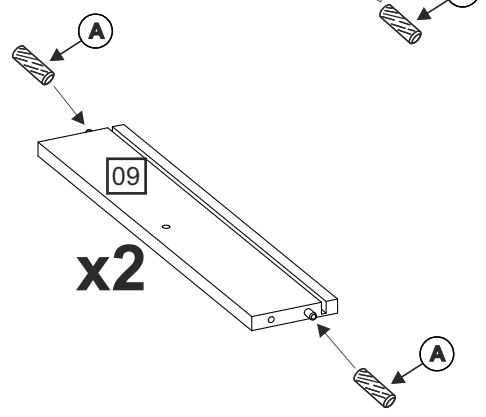
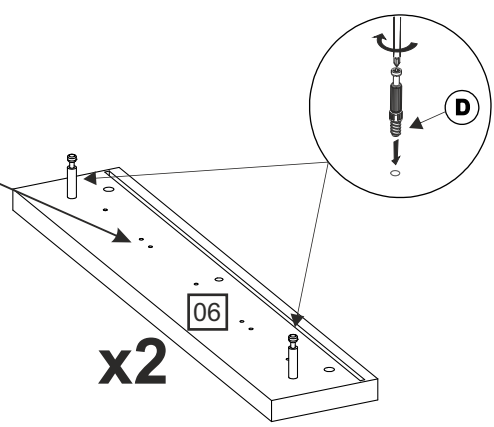
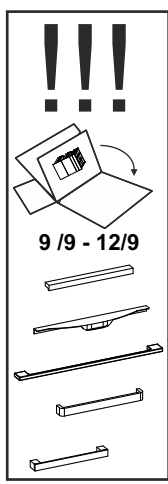
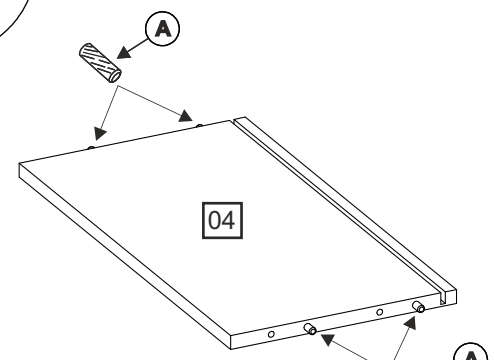
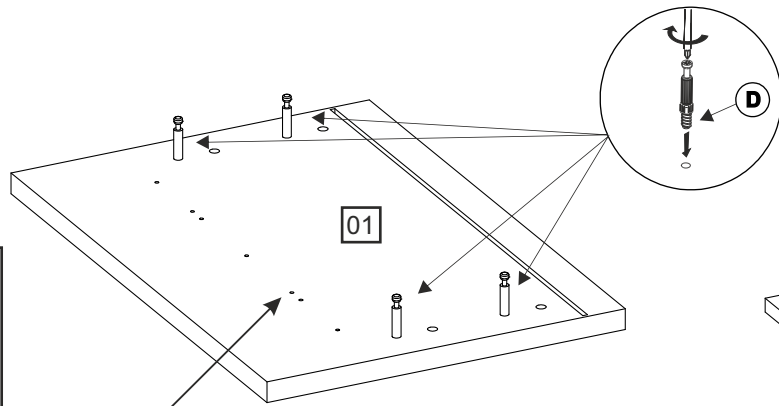
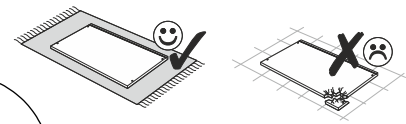
8x
15x12 mm
B



8x
15x12 mm
D

8x
6x30 mm
A

2



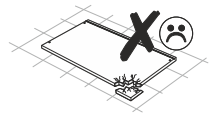
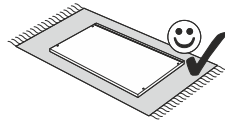
UNIT

2x
6x60 mm
G

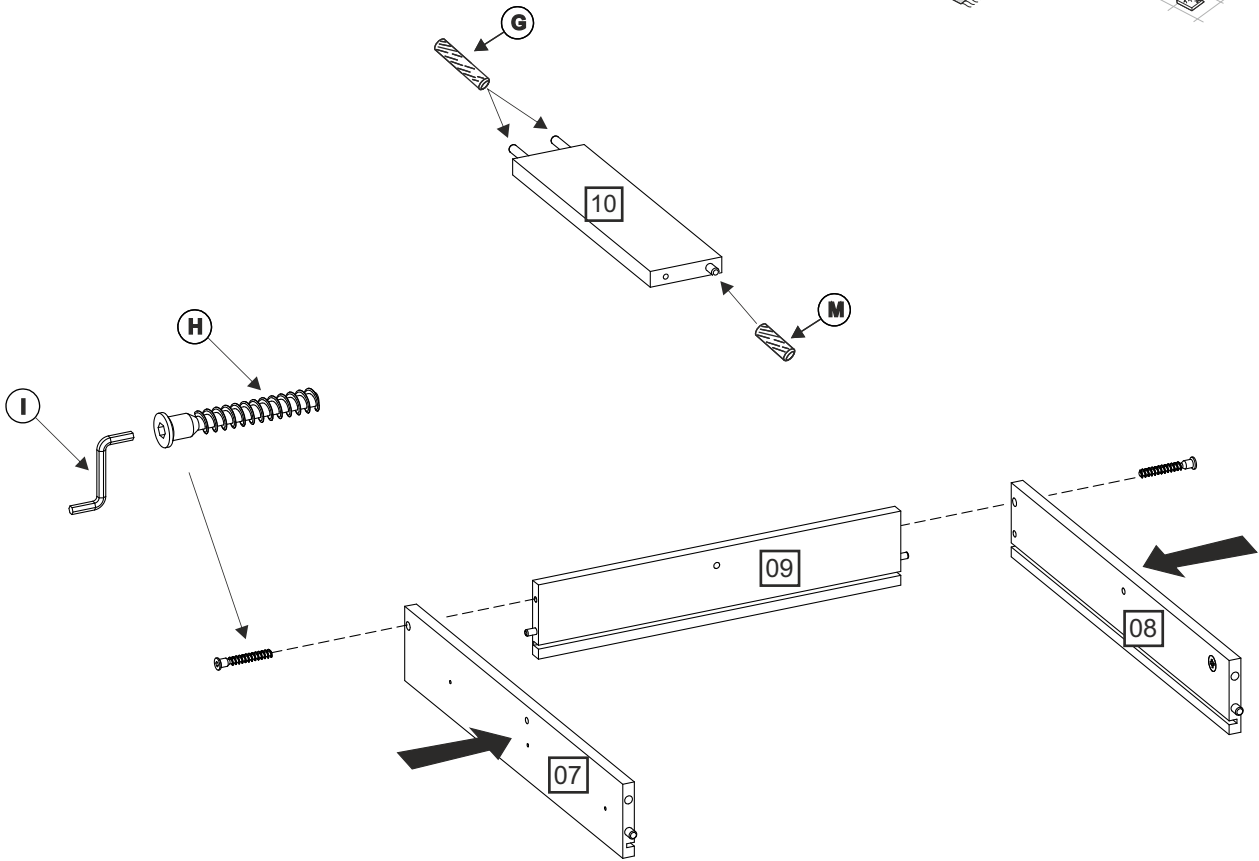
1x
8x35 mm
M

2x
7x50 mm
H

1x
I

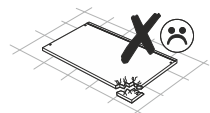
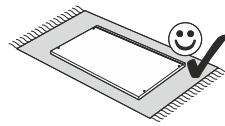


3

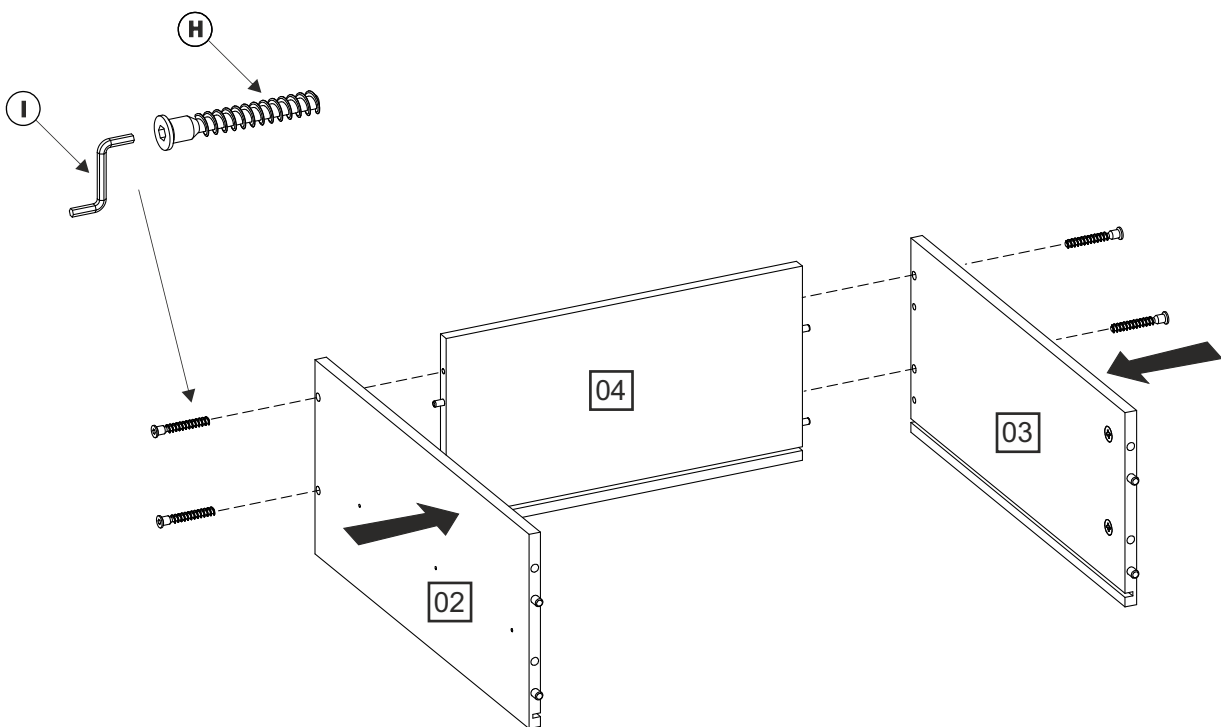


4x
7x50 mm
H

1x
I

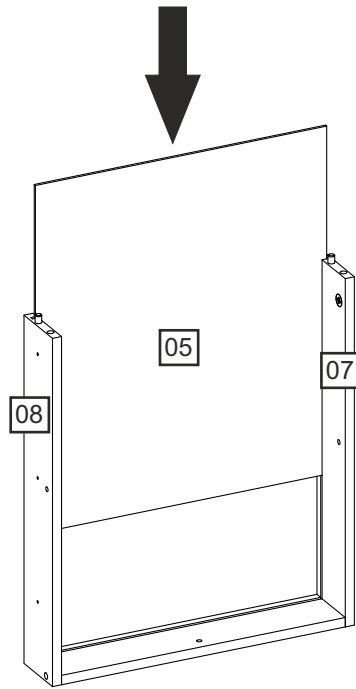
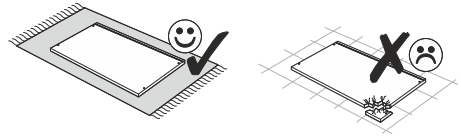
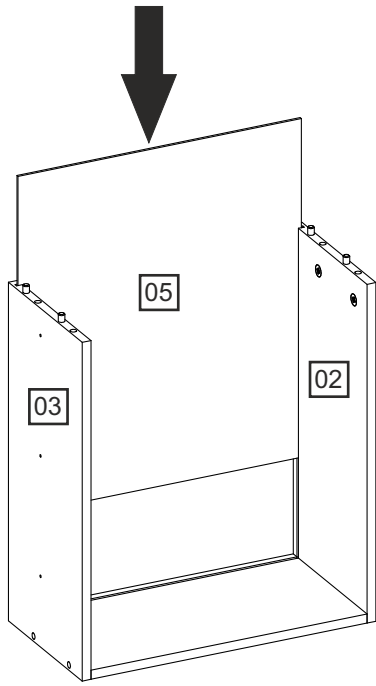



4

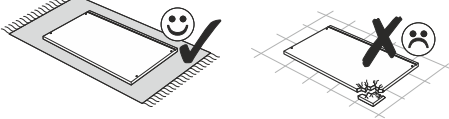


UNIT

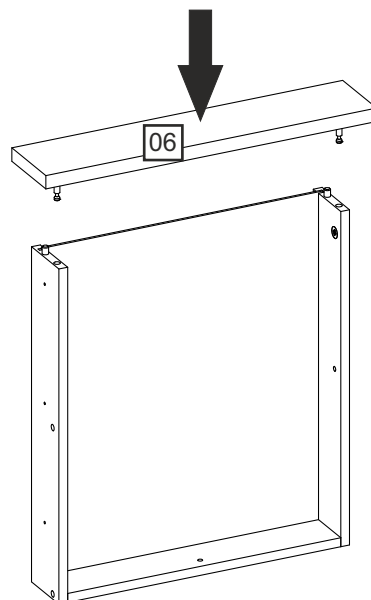
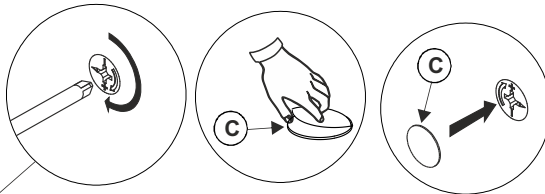
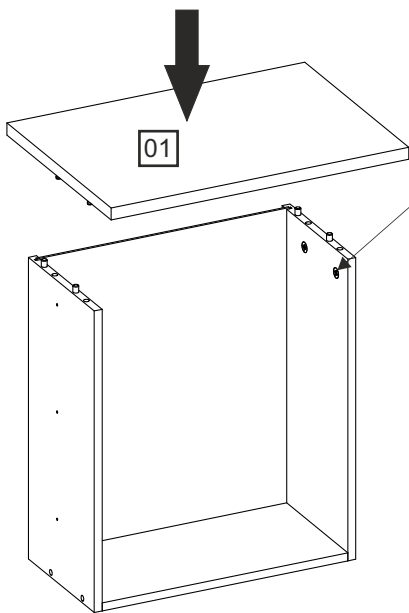
5



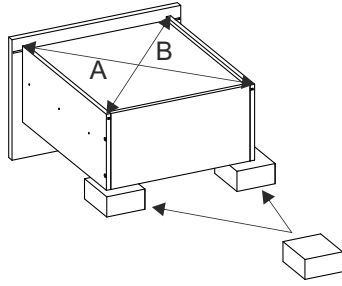
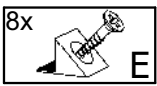
6x  C



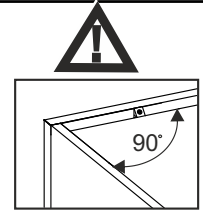
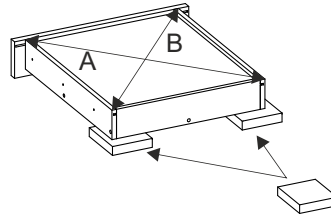
6



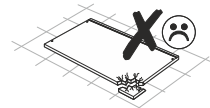
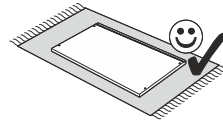
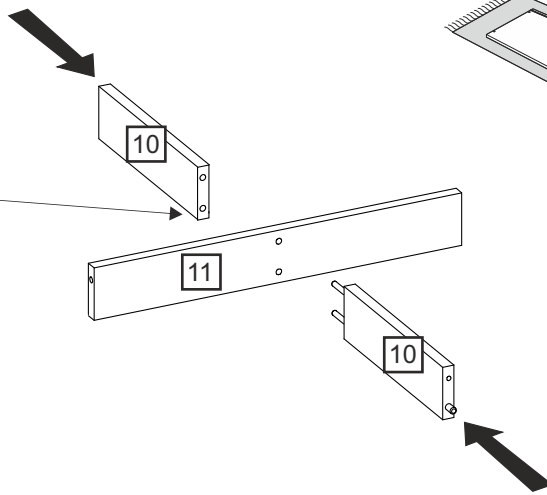
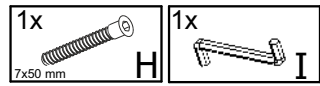
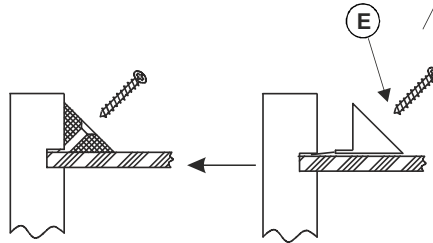
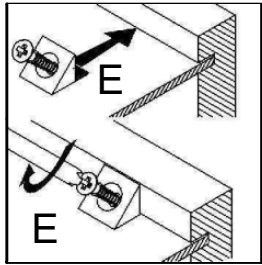
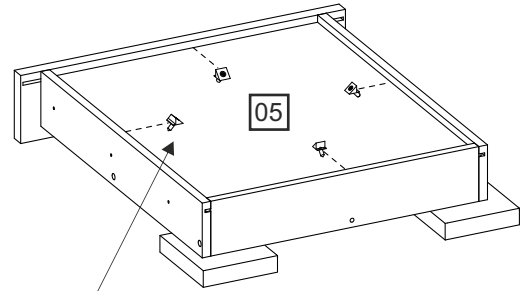
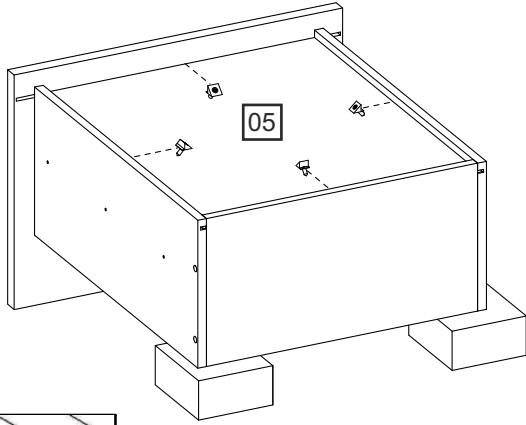
UNIT



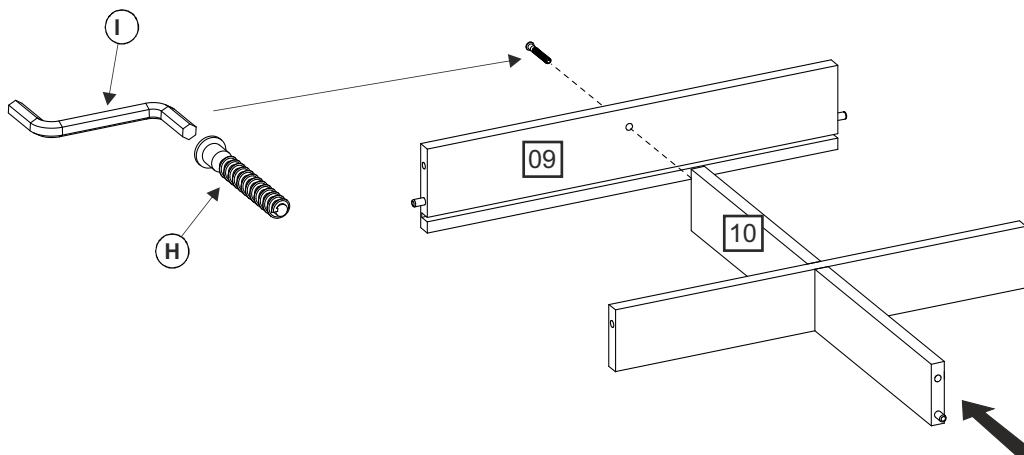
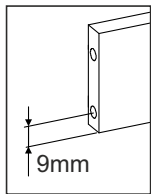
A=B



7

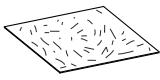




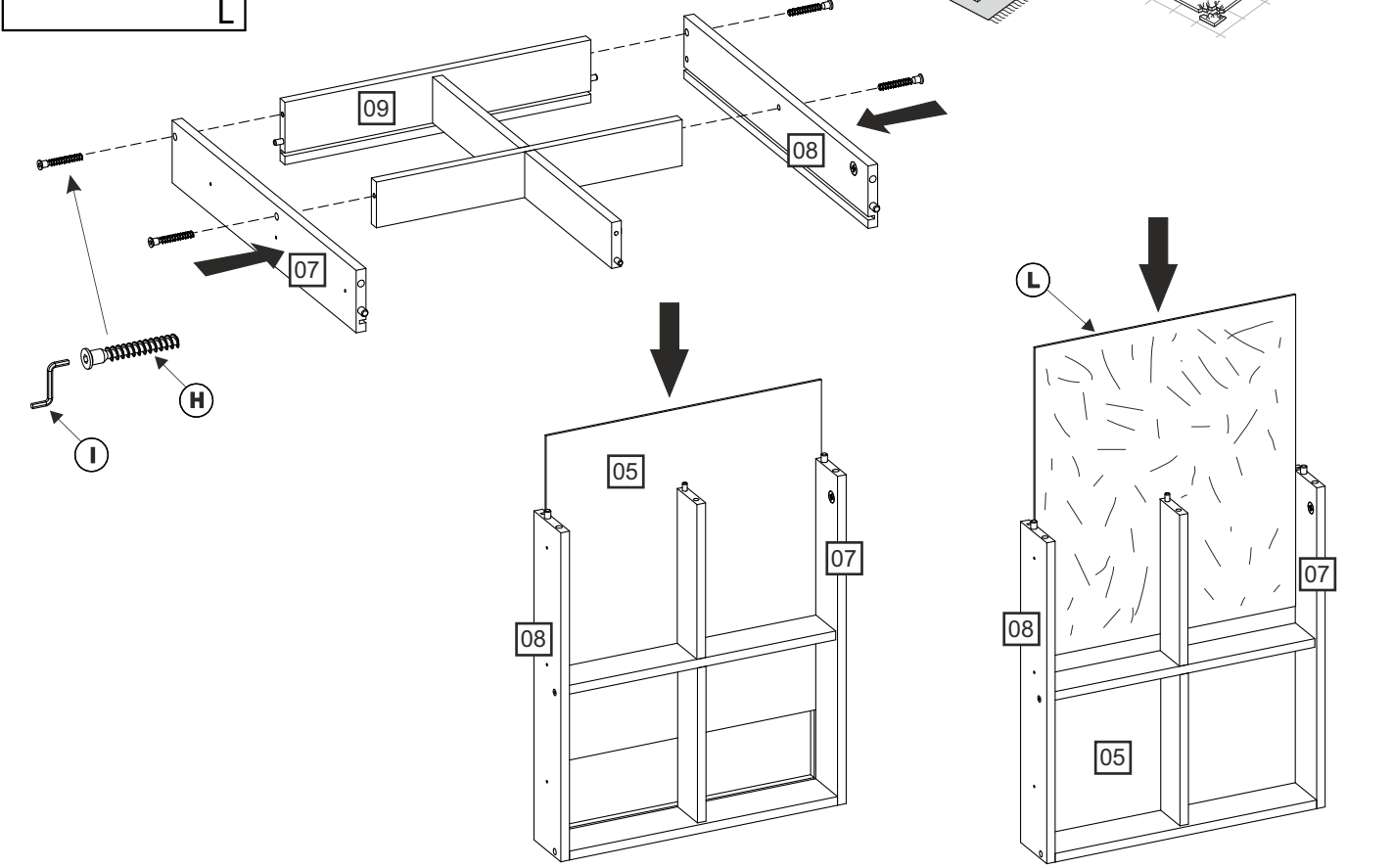
8





UNIT

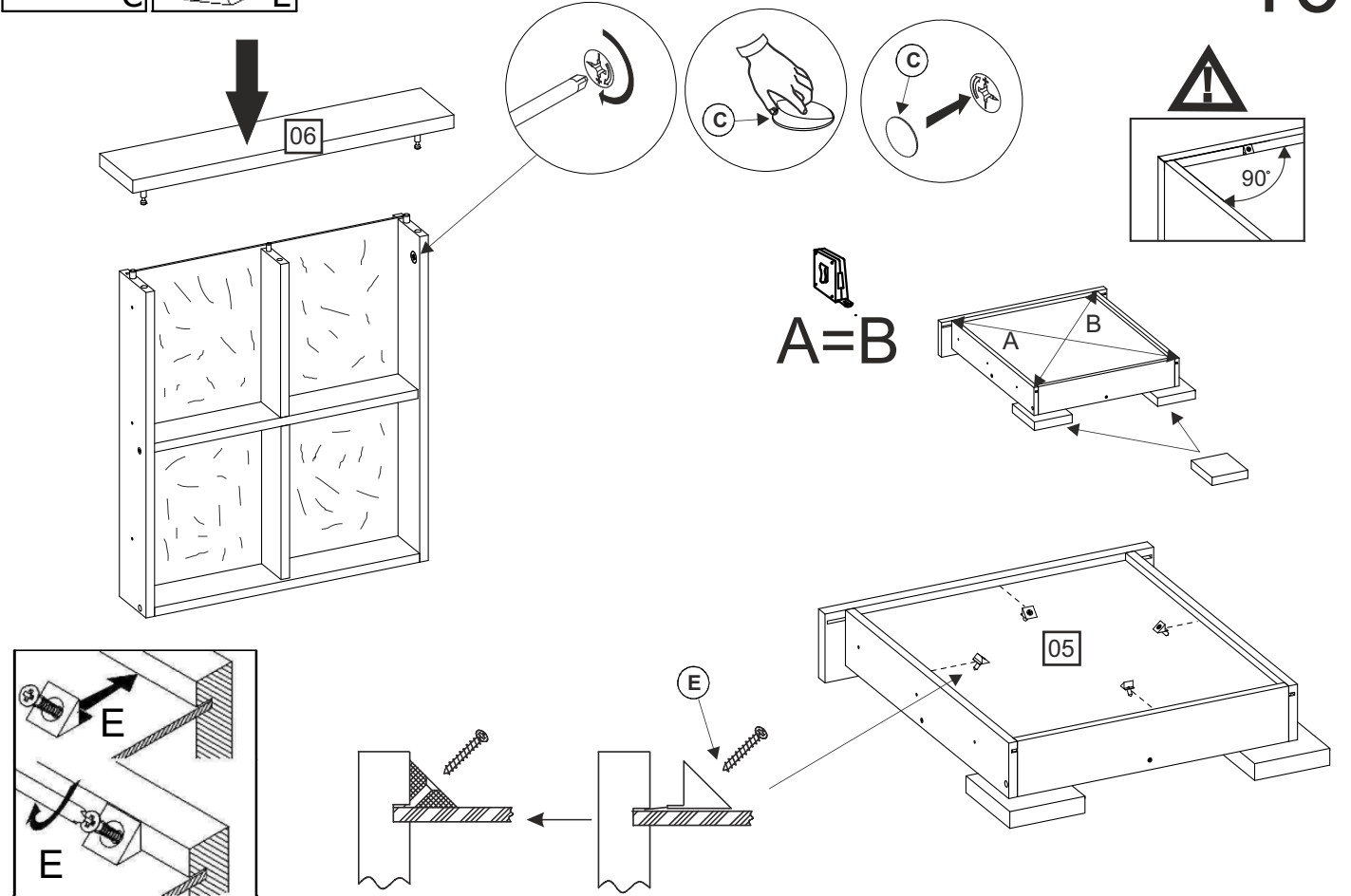
9

- 1x  L
- 4x  H 7x50 mm
- 1x  I



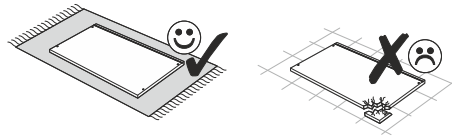
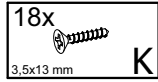
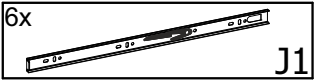
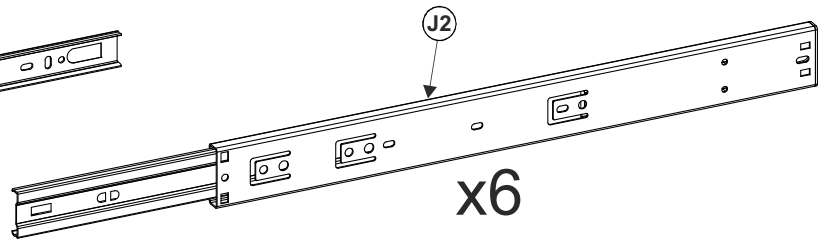
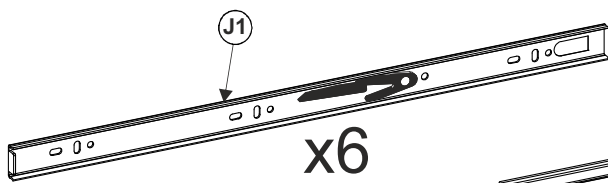
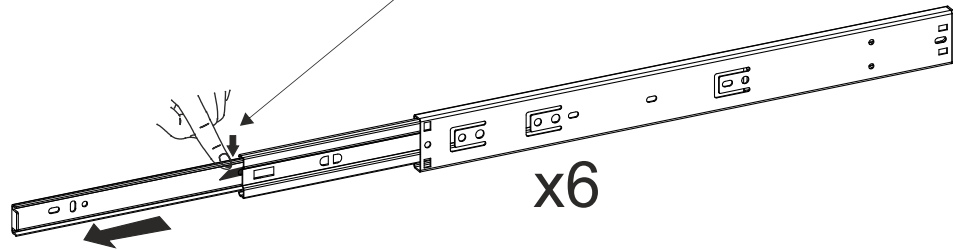
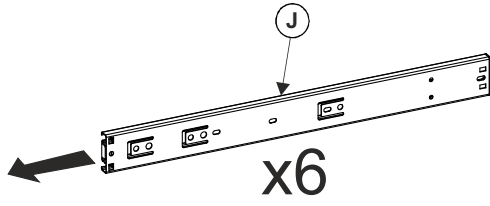
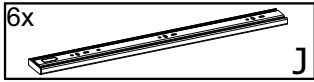
10

- 2x  C
- 4x  E

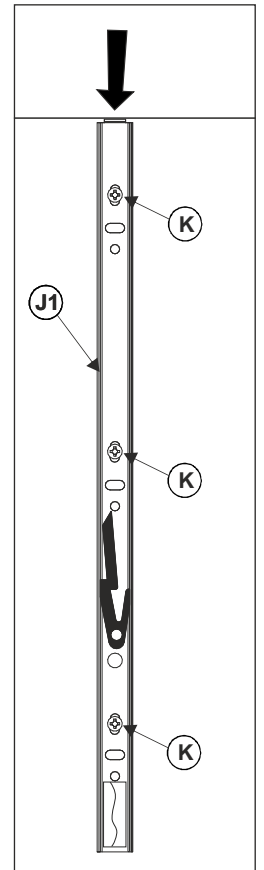
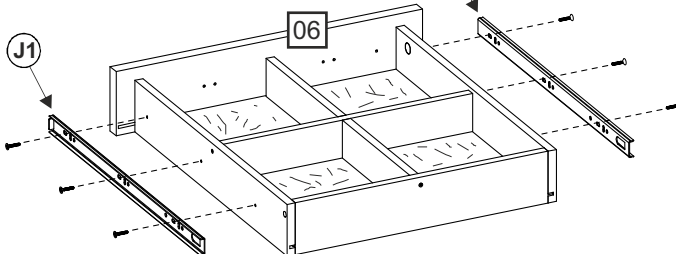
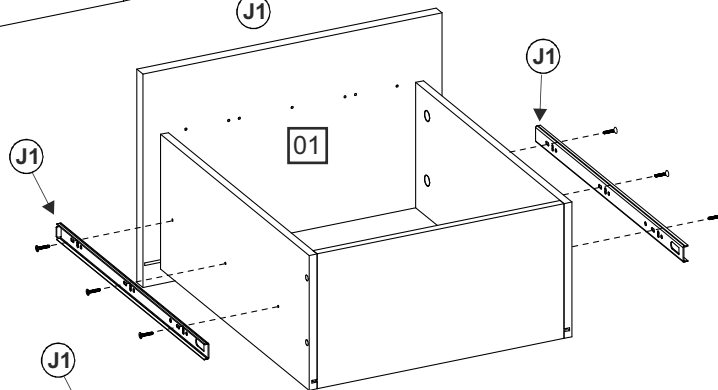
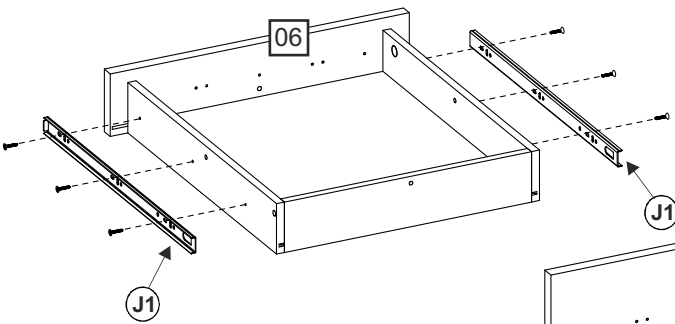


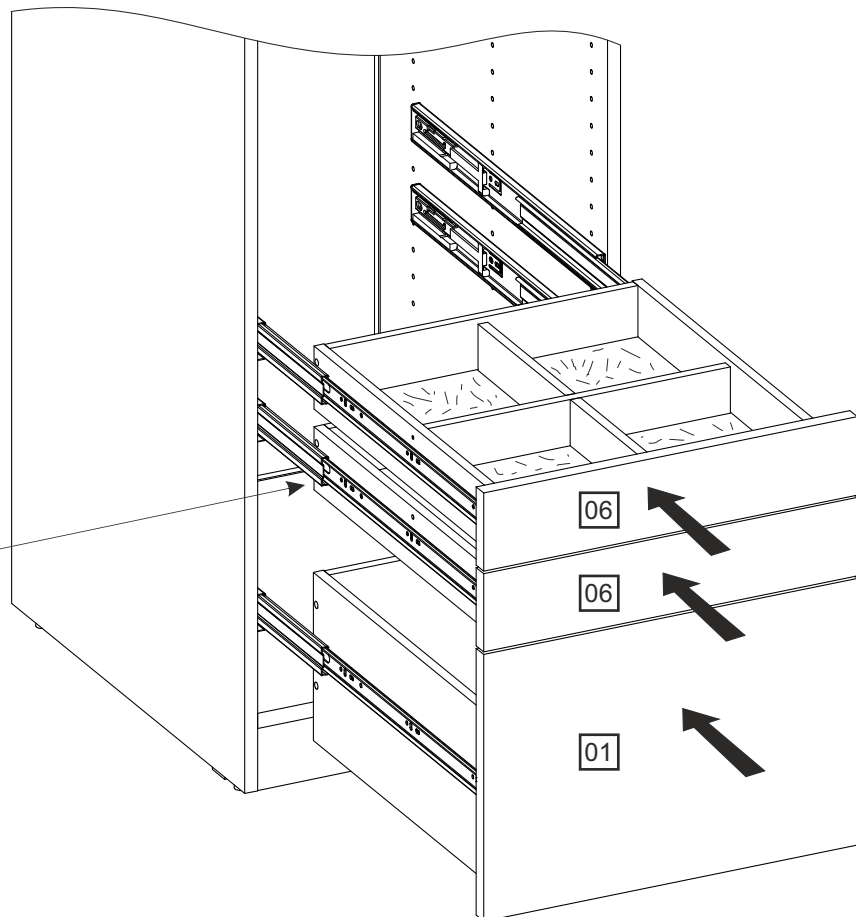
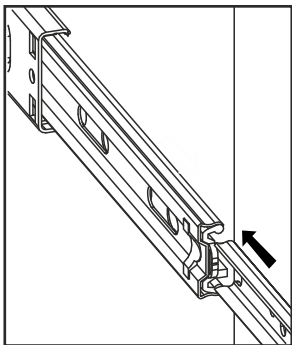
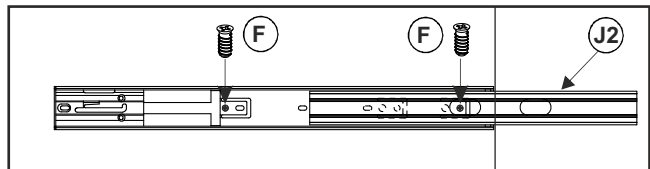
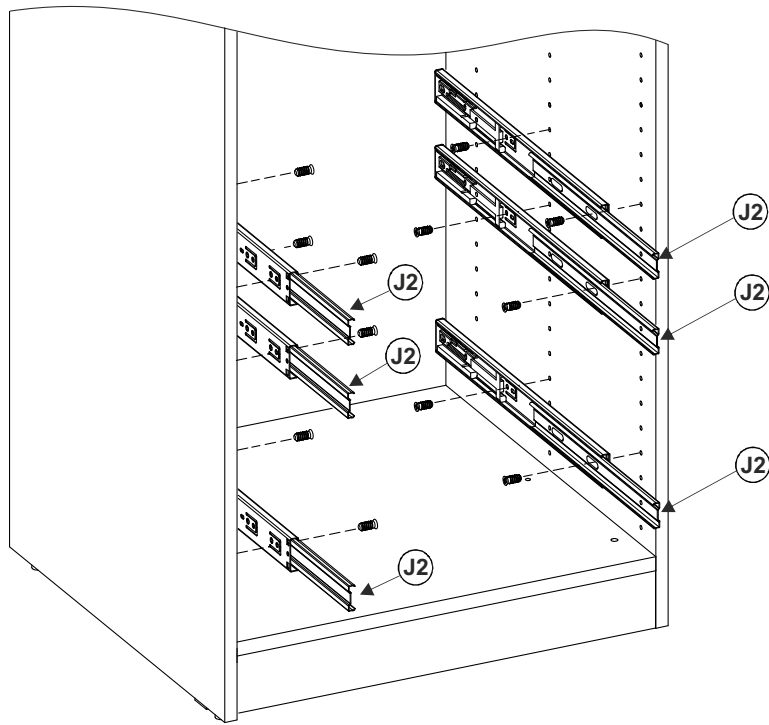
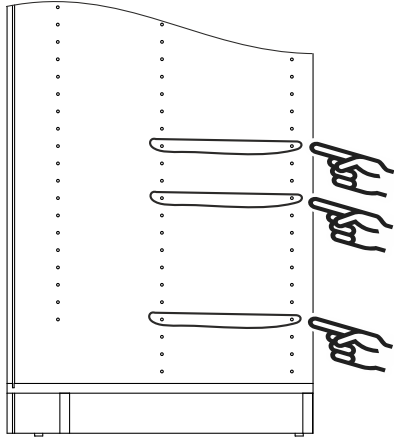
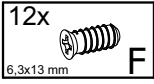
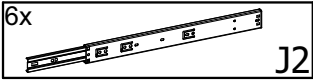
UNIT

11

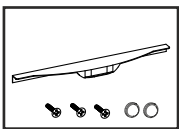
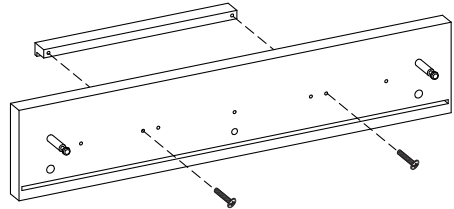
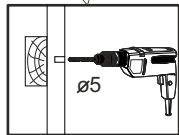
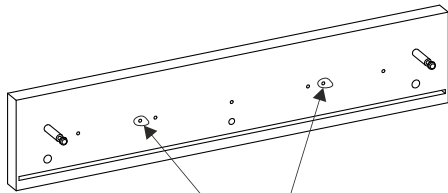
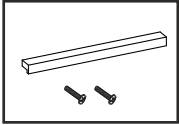
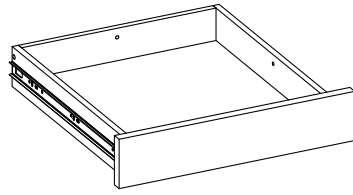
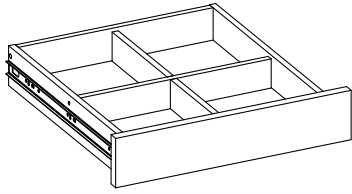


12

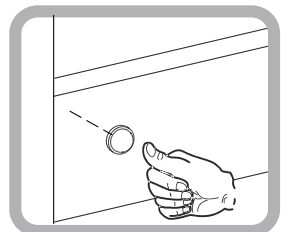
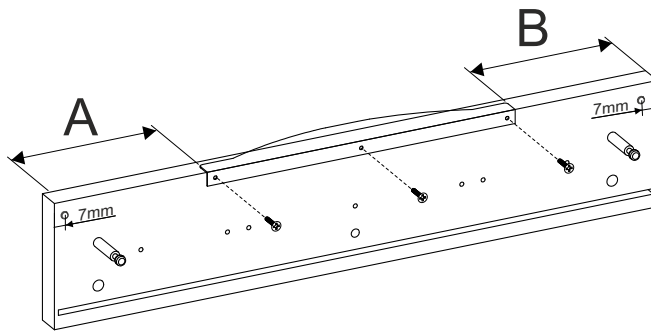




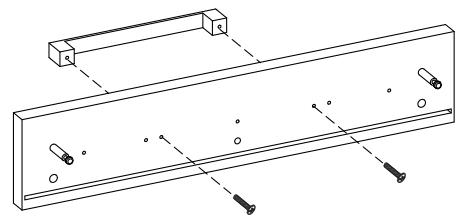
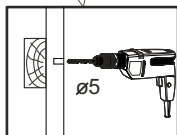
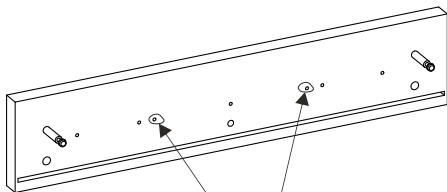
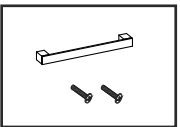
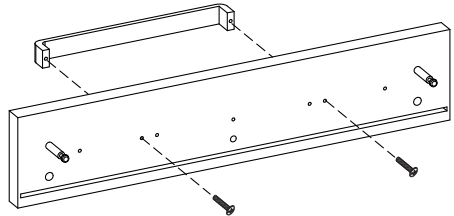
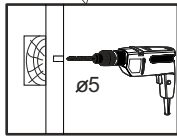
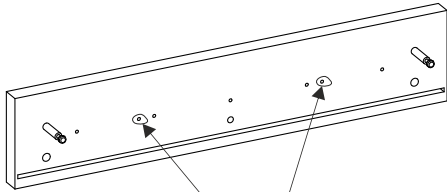
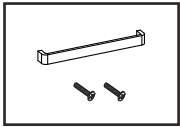
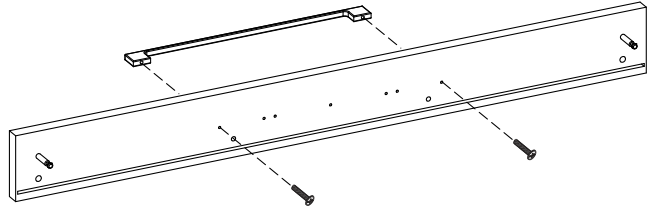
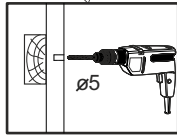
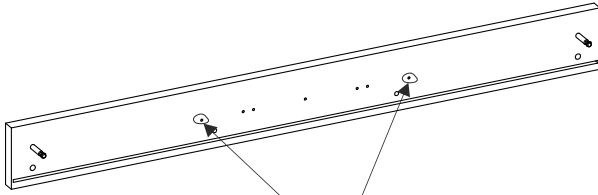
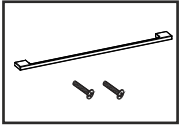
UNIT



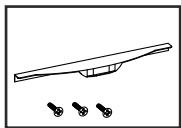
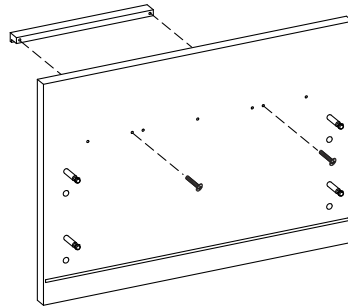
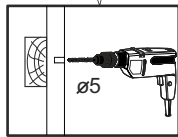
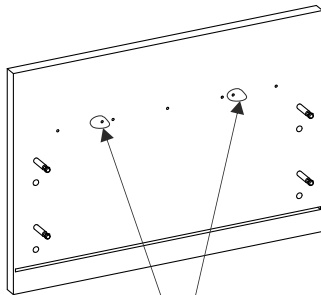
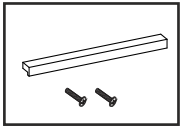
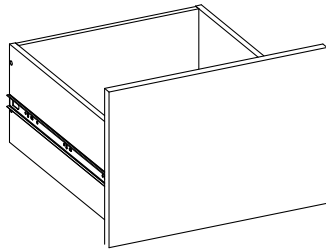
A=B



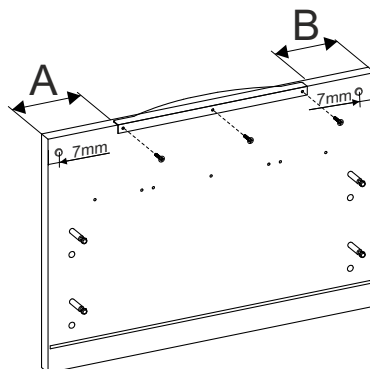
UNIT



UNIT



A=B



UNIT

