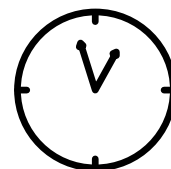
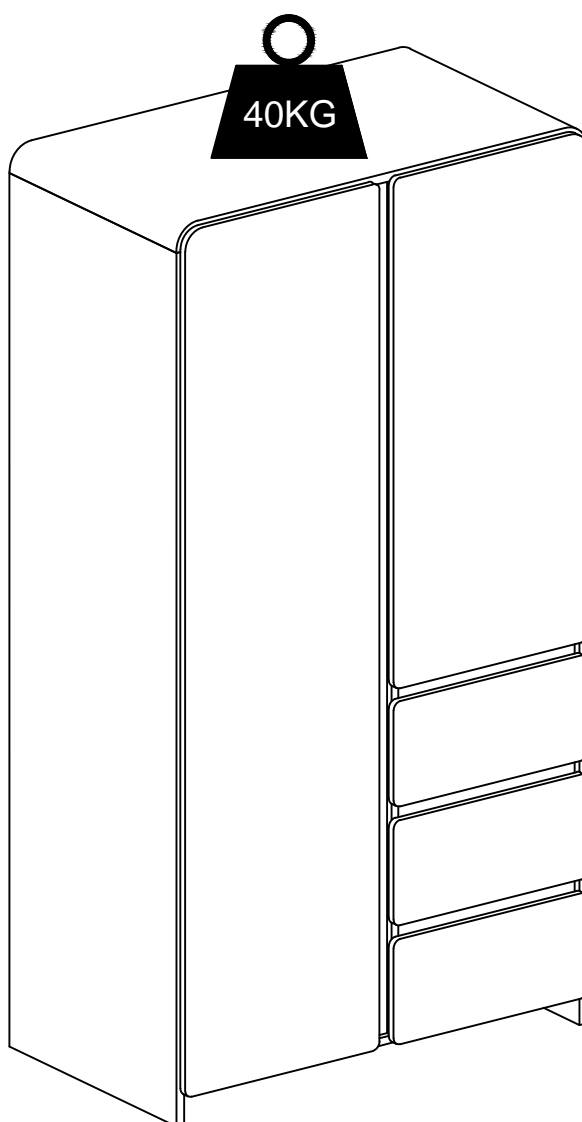


04890171-02

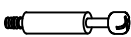



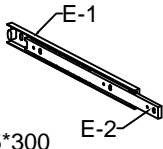
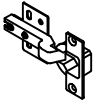
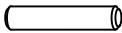

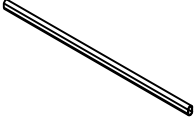
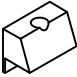

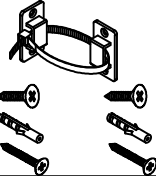


ELIO

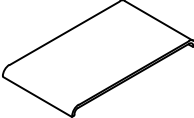
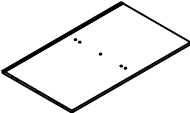


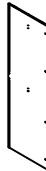
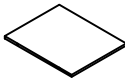


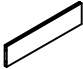

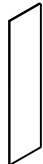




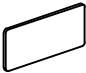

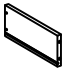


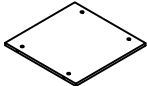
XXXLutz KG
Römerstraße 39
A-4600 Wels
Austria
E-Mail: info@moemax.at



55min

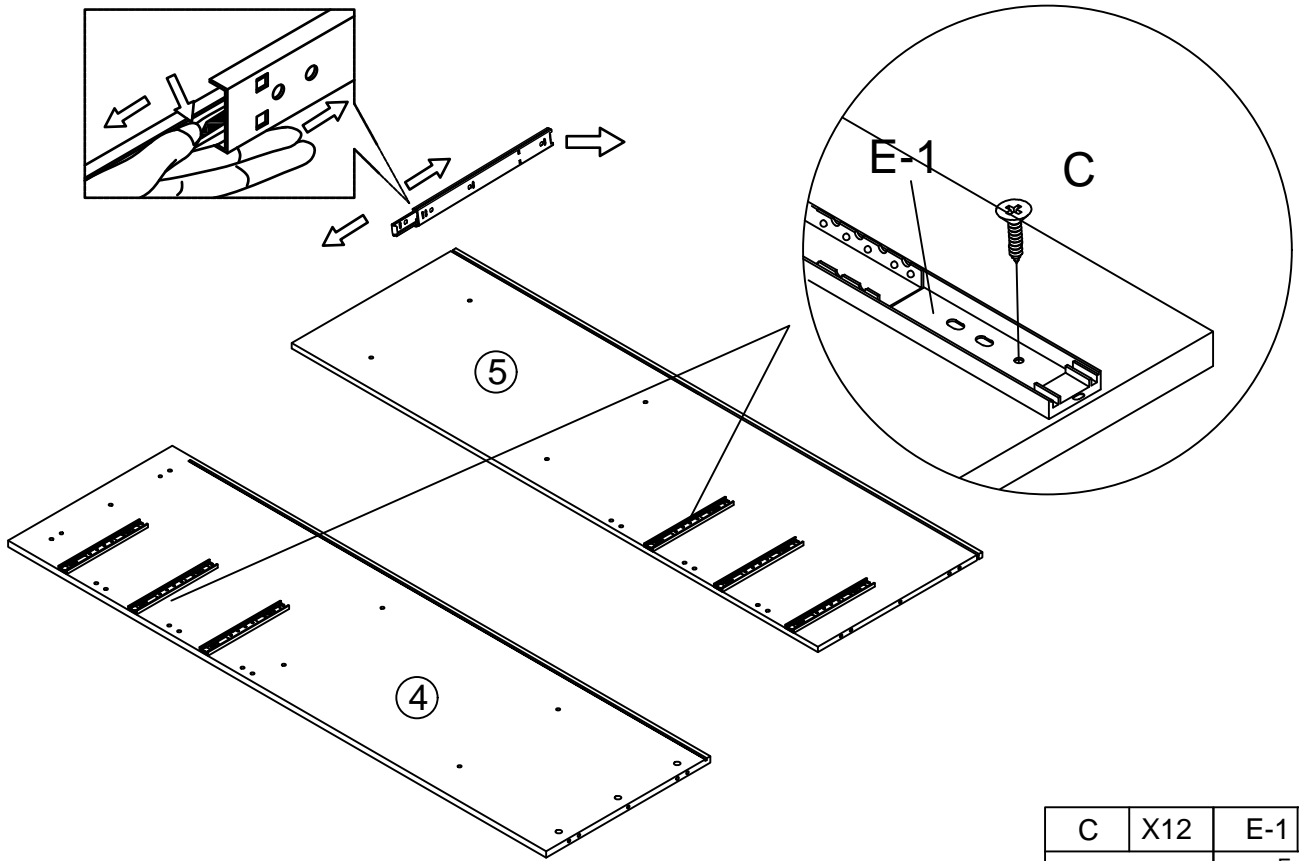



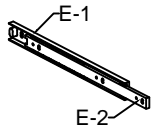
A	X64	B	X64	C	X66	D	X12	E	X6	F	X7
				 3.5*14		 3.5*35		 45*300 E-1 E-2			
G	X16	H	X2	I	X1	J	X34	K	X34	L	X2
								 3*16			
M	X64	N	X8								
		 φ12*4									

①	X1	②	X1	③	X1	④	X1	⑤	X1	⑥	X2
											
⑦	X3	⑧	X1	⑨	X1	⑩	X1	⑪	X1	⑫	X1
											
⑬	X1	⑭	X1	⑮	X1	⑯	X3	⑰	X3	⑱	X3
											
⑲	X3	⑳	X3	㉑	X1						
											

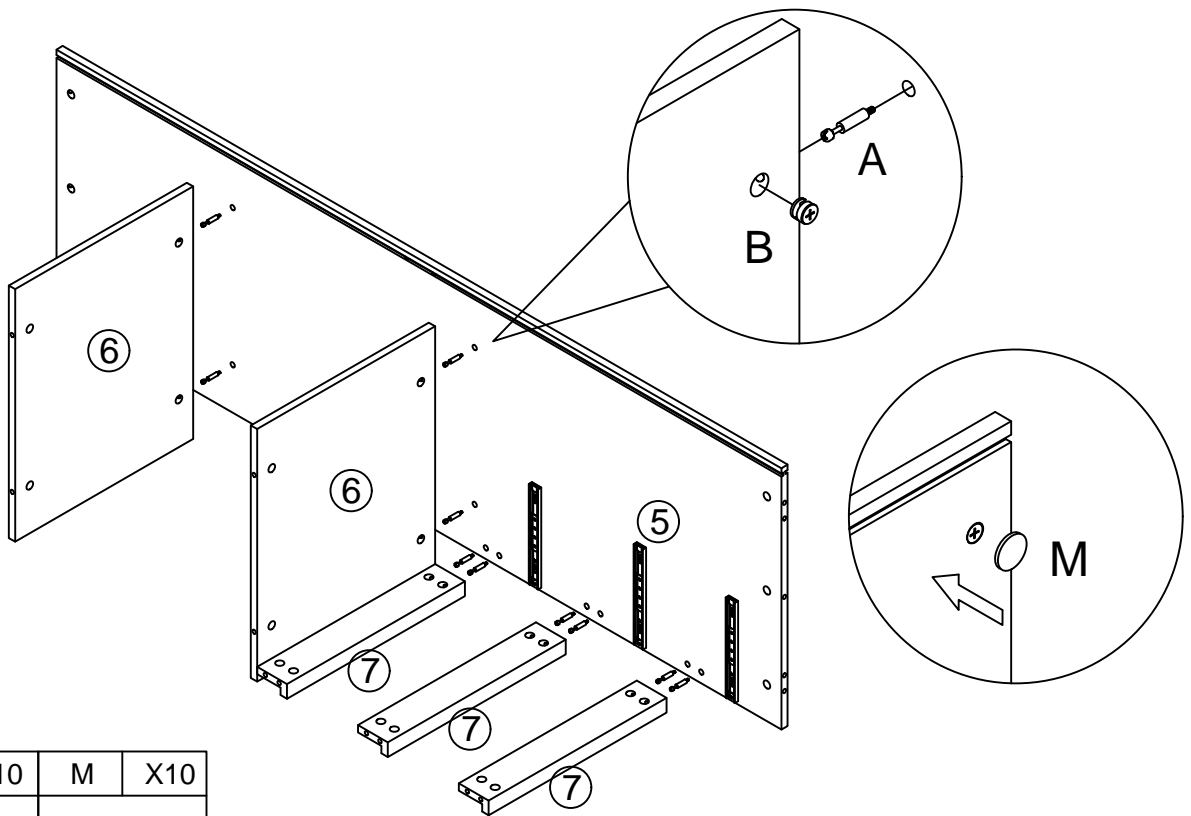


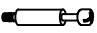


1

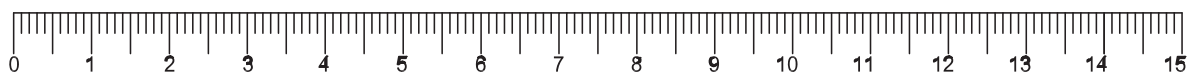


C	X12	E-1	X6
 3.5*14		 E-1 E-2	

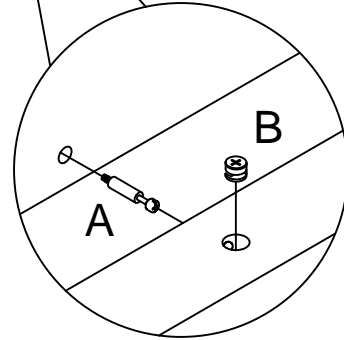
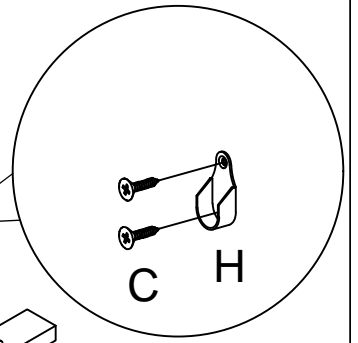
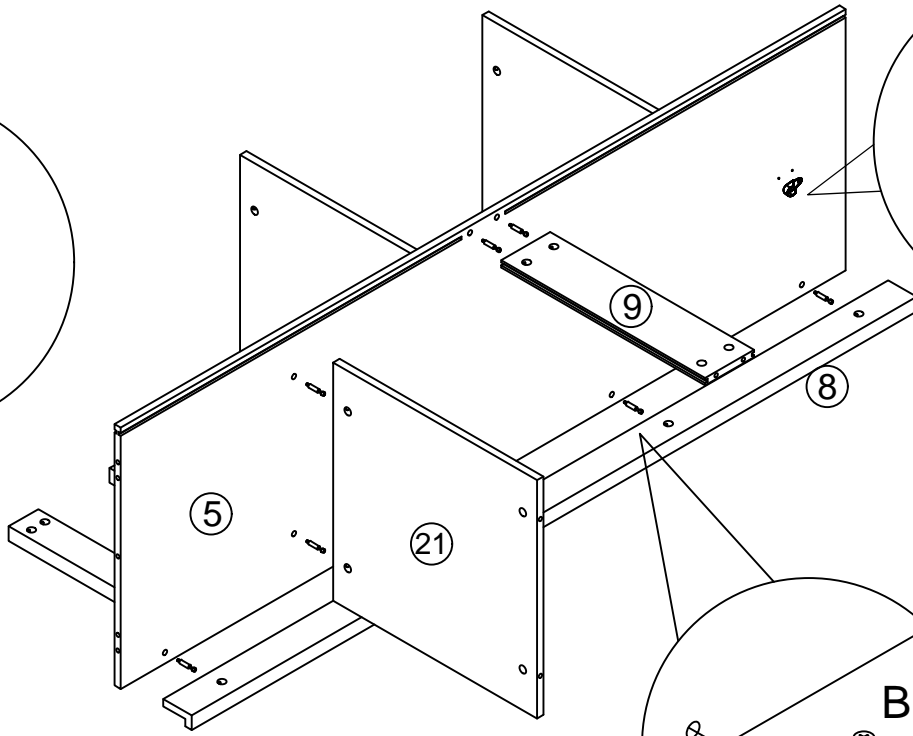
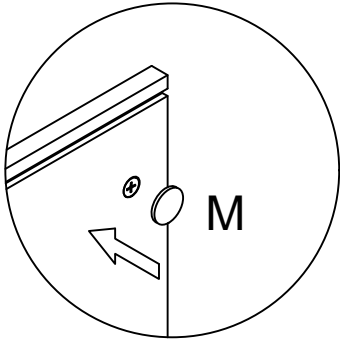
2



A	X10	B	X10	M	X10
					

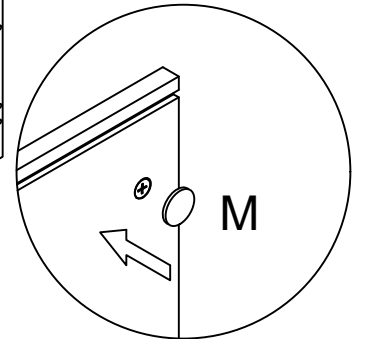
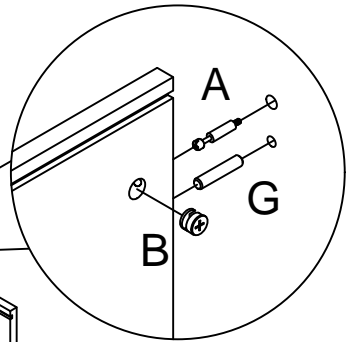
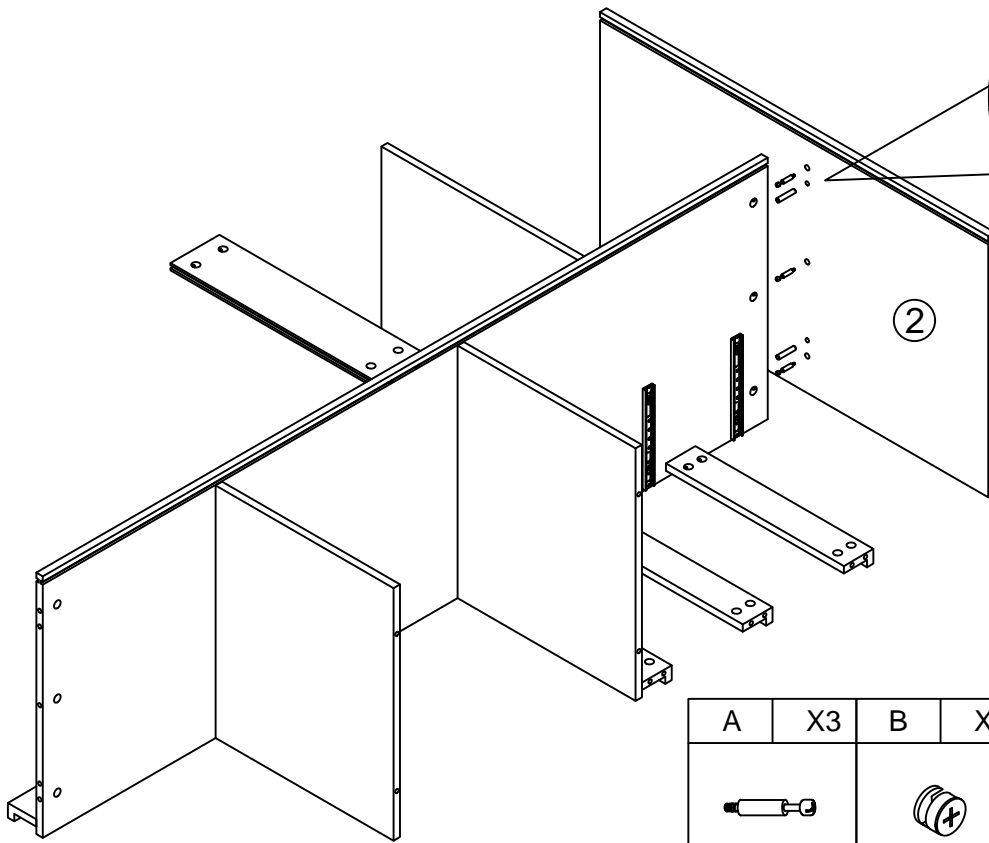


3

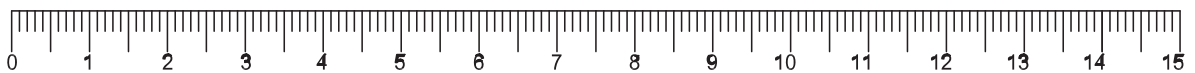


A	X8	B	X8	C	X2	H	X1	M	X8

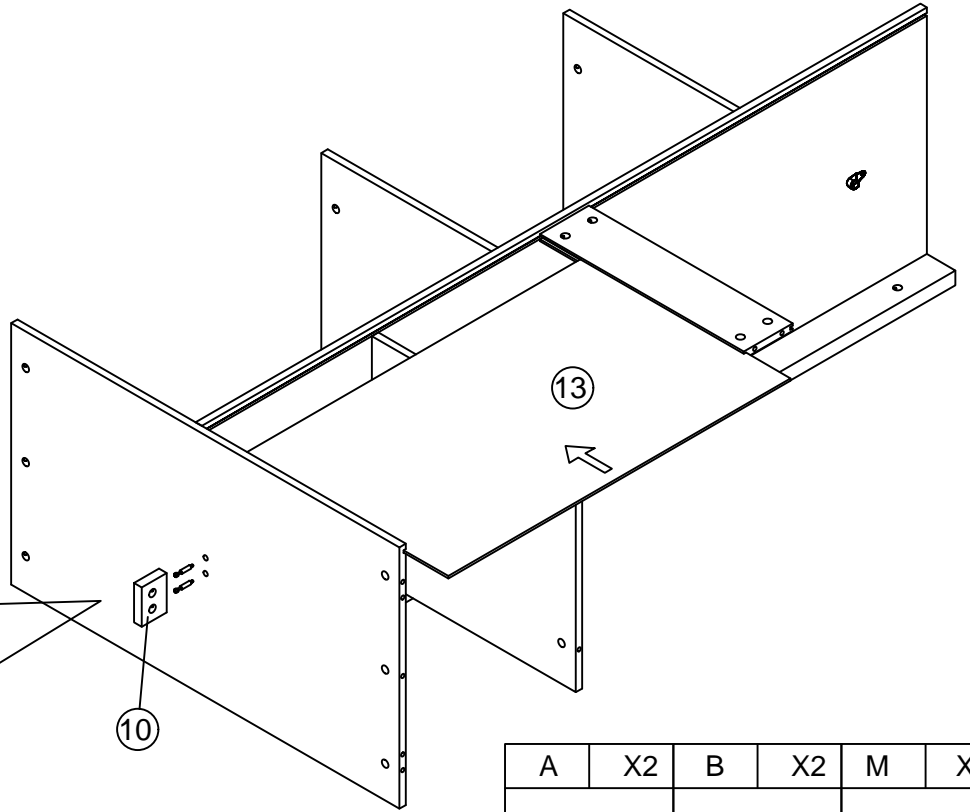
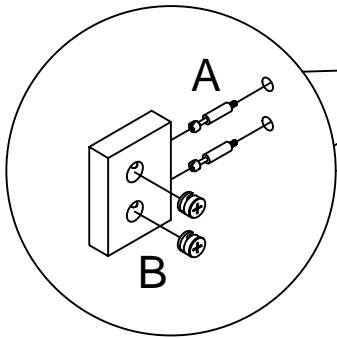
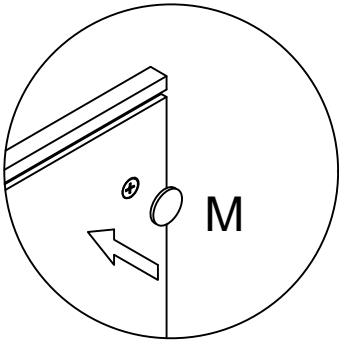
4



A	X3	B	X3	G	X4	M	X3

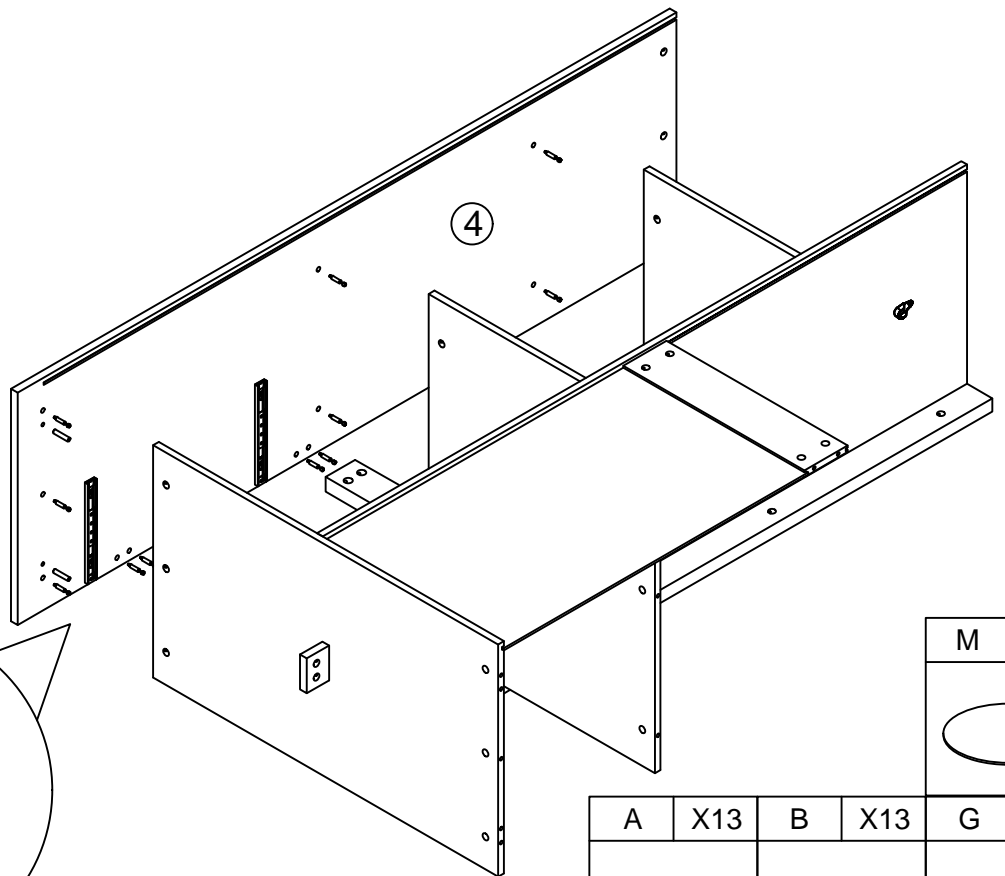
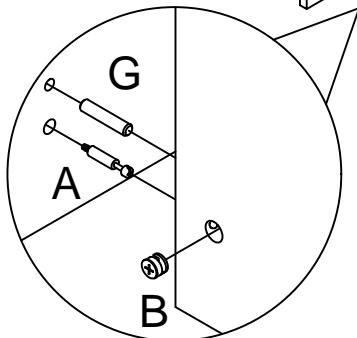
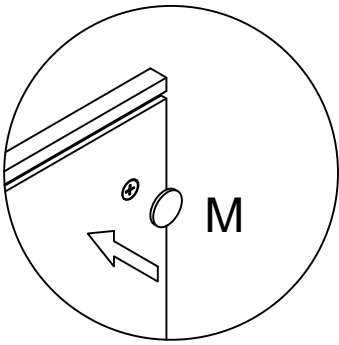


5

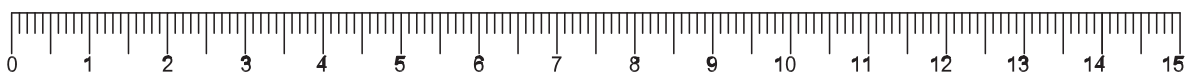


A	X2	B	X2	M	X2

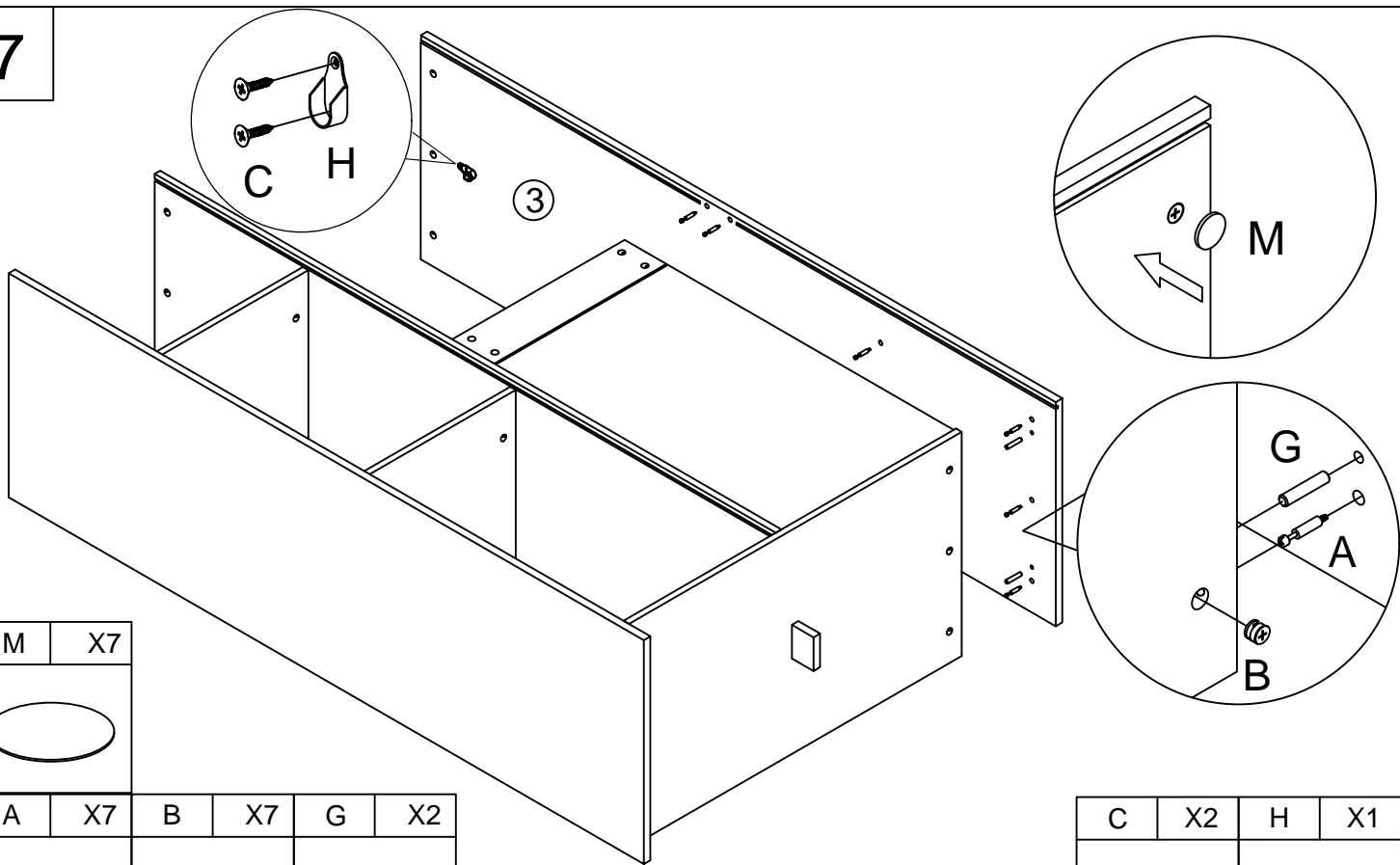
6



A	X13	B	X13	G	X2
				M	X13



7

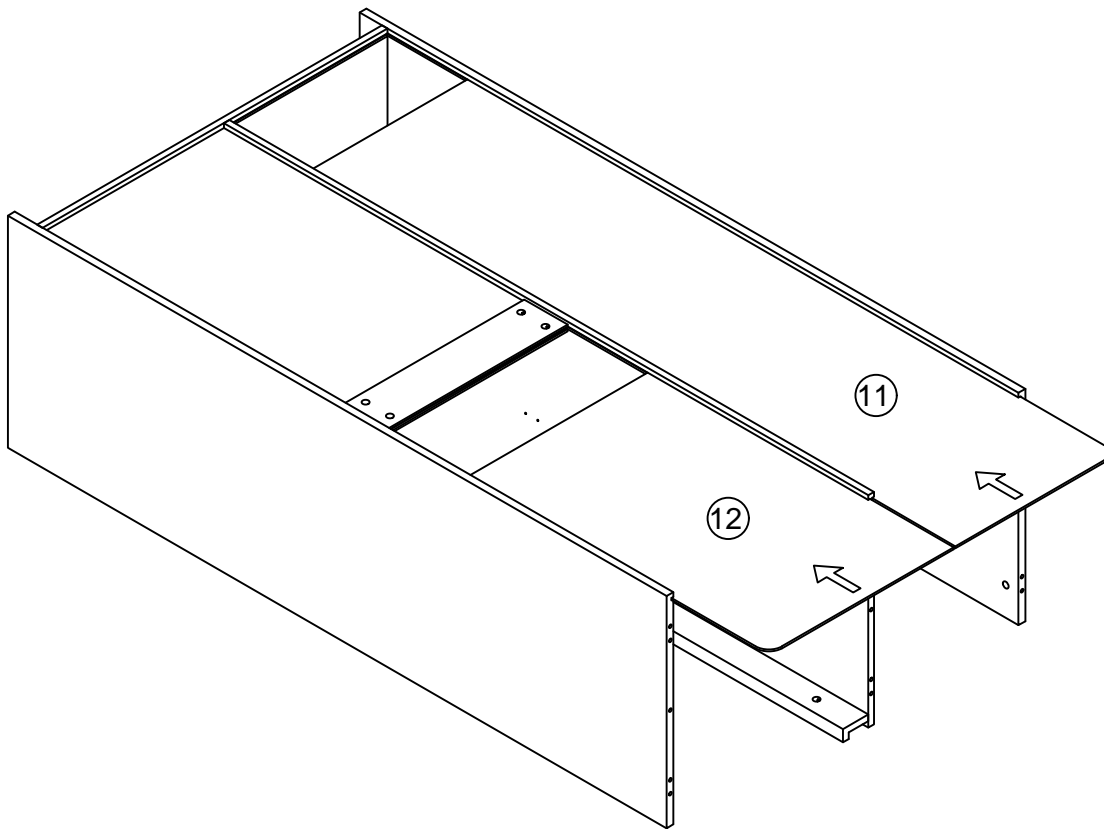


M	X7

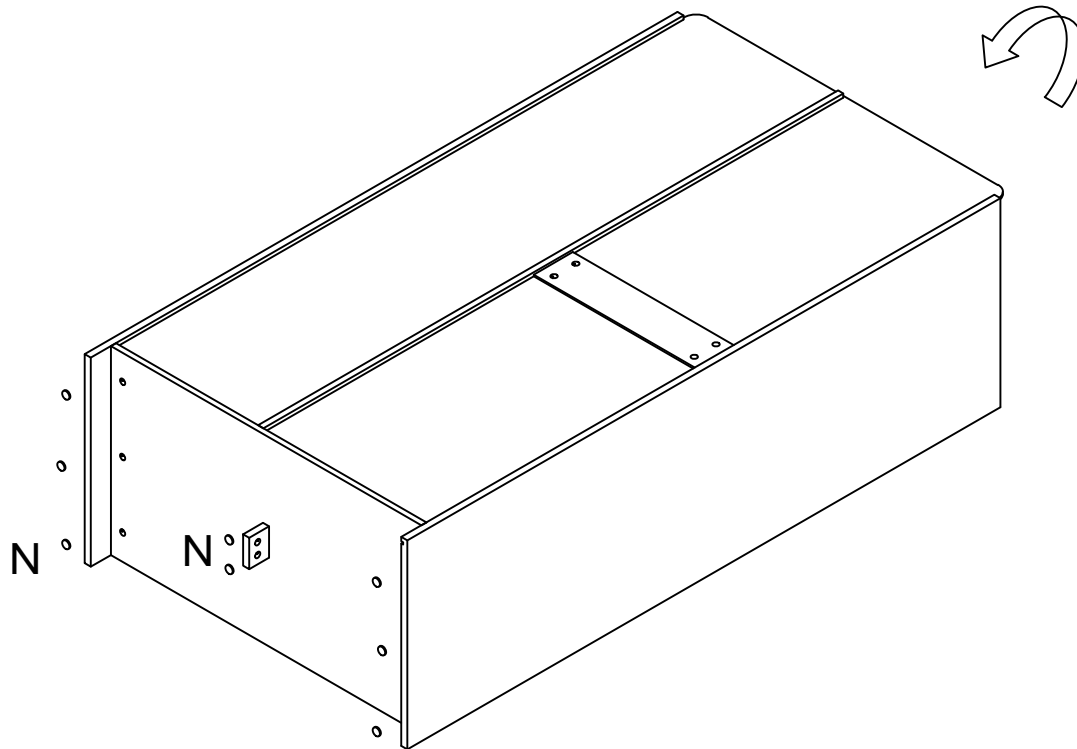
A	X7	B	X7	G	X2

C	X2	H	X1


8



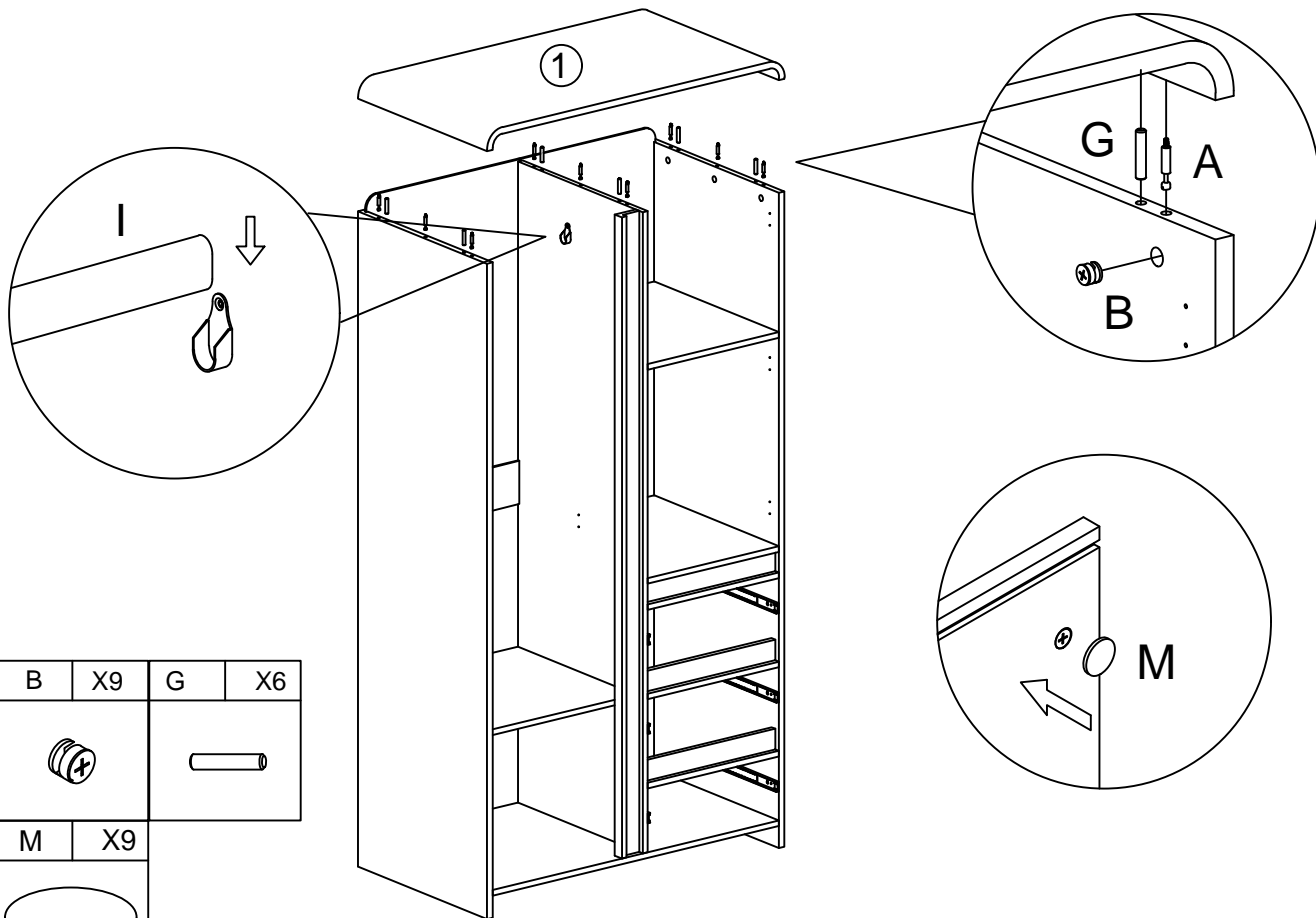
9

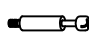

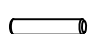




N	X8
---	----


φ12*4

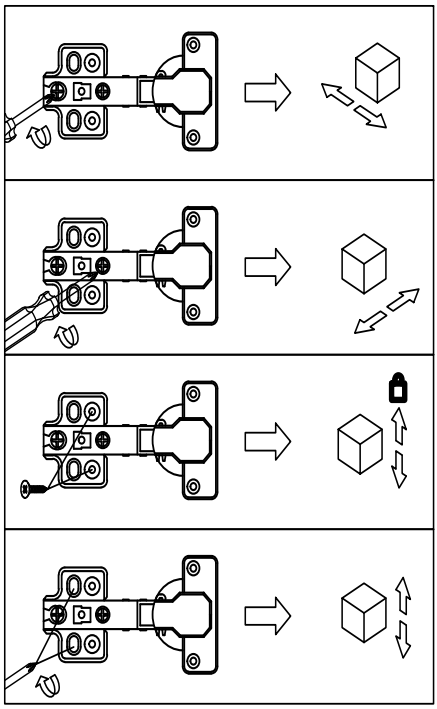
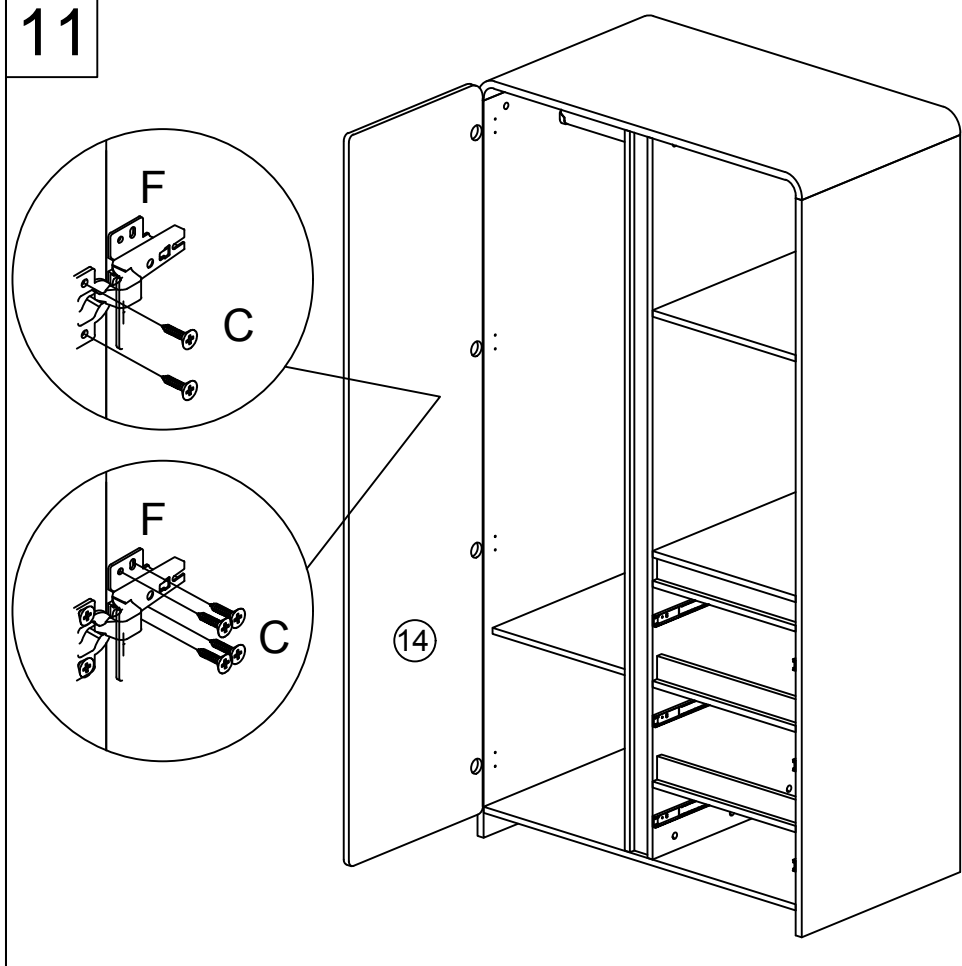
10


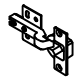


A	X9	B	X9	G	X6
					
I	X1	M	X9		
					

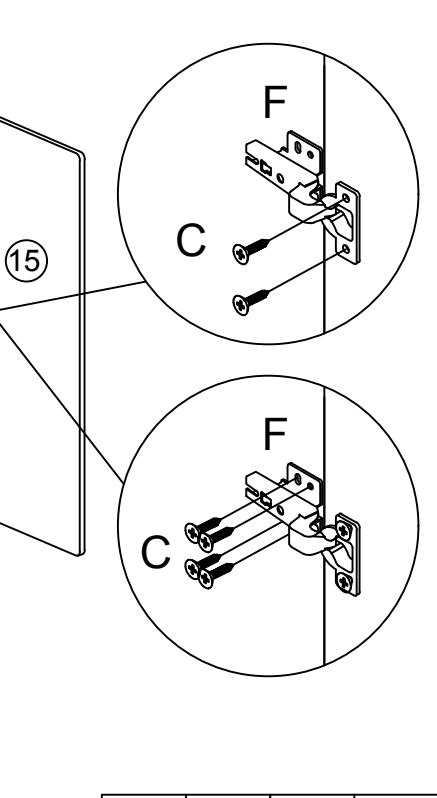
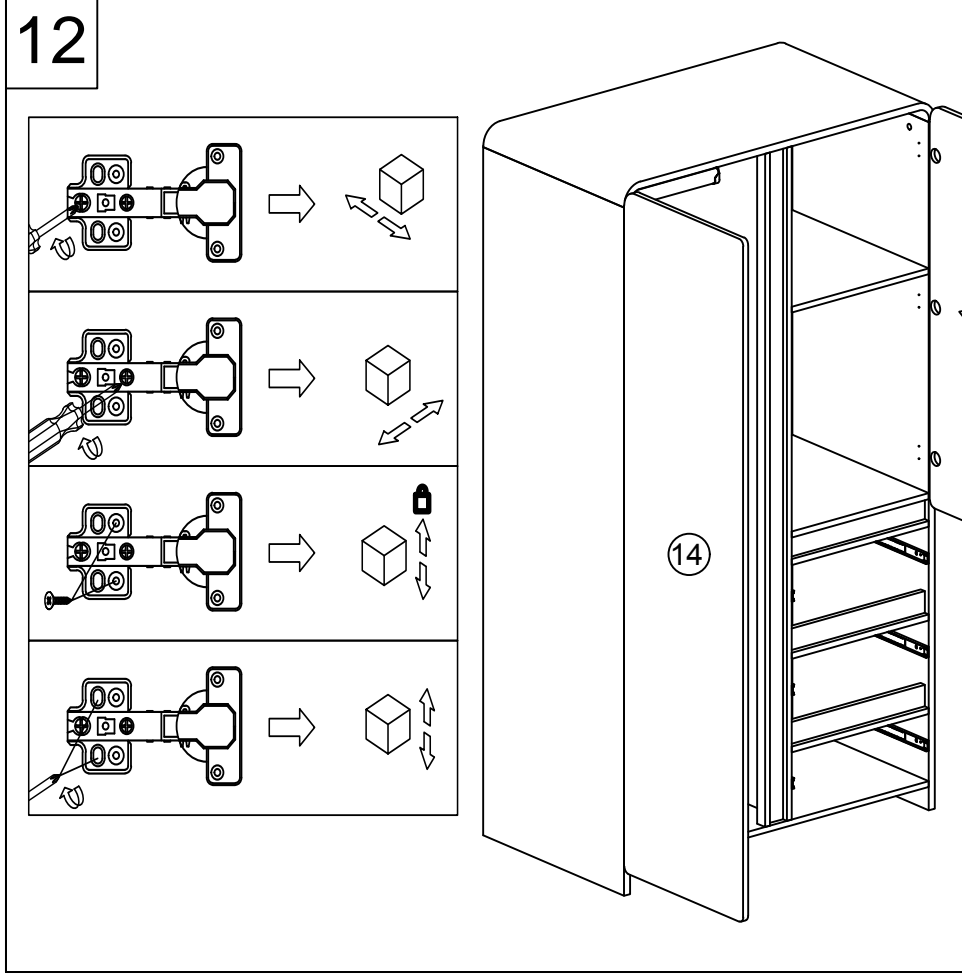




11

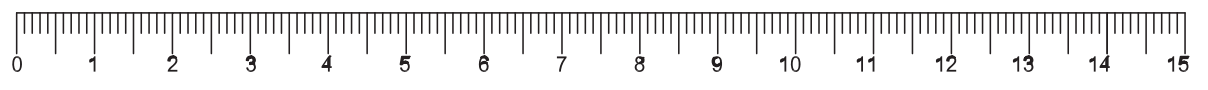


C	X24	F	X4
			
3.5*14			

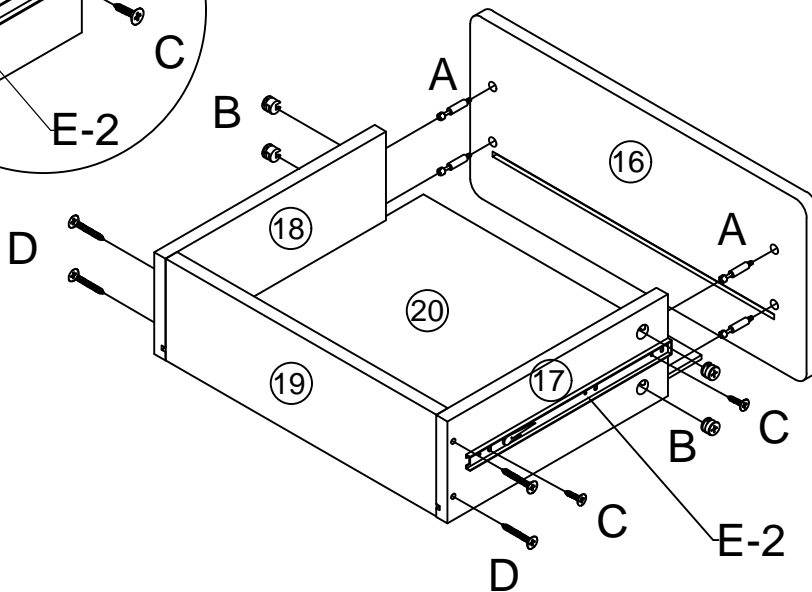
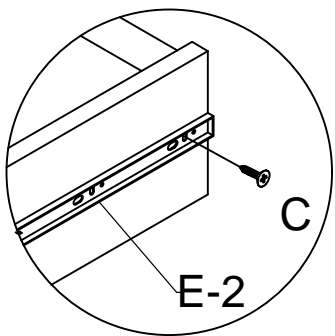
12



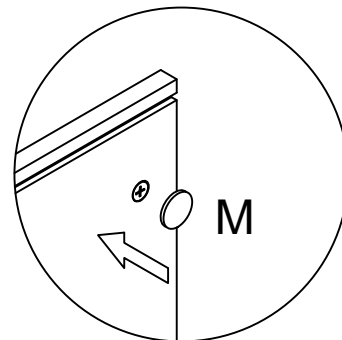
C	X18	F	X3
			
3.5*14			

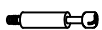



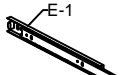



13

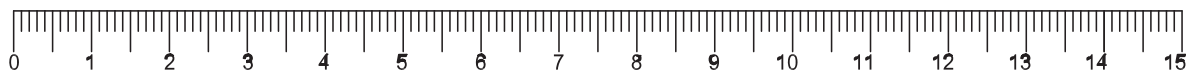
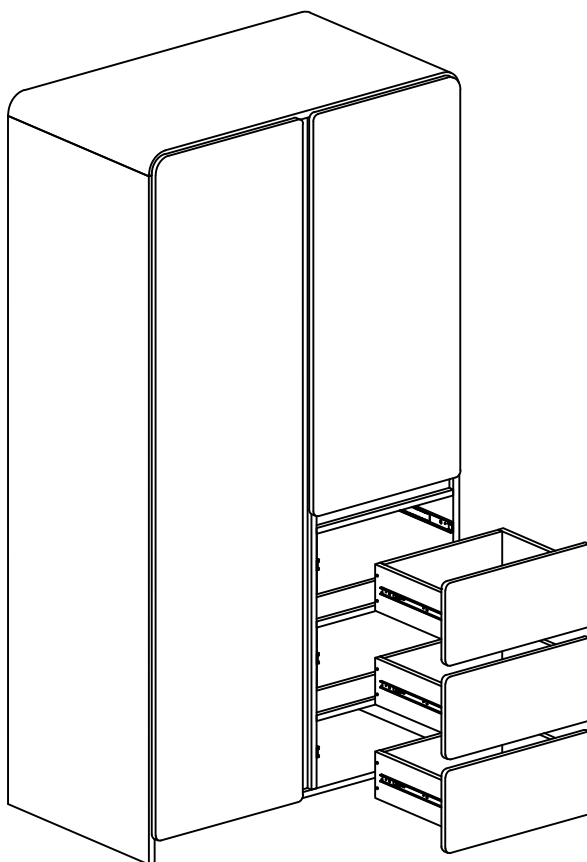


X3

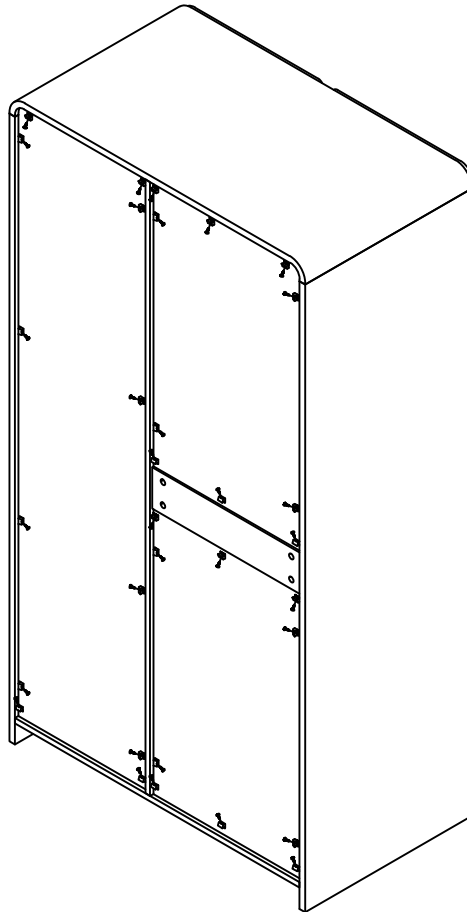
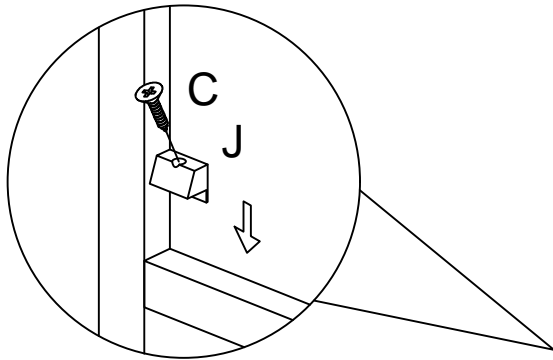




A	X12	B	X12	C	X12	D	X12	E-2	X6	M	X12
					3.5*14		3.5*35		E-1 E-2		

14

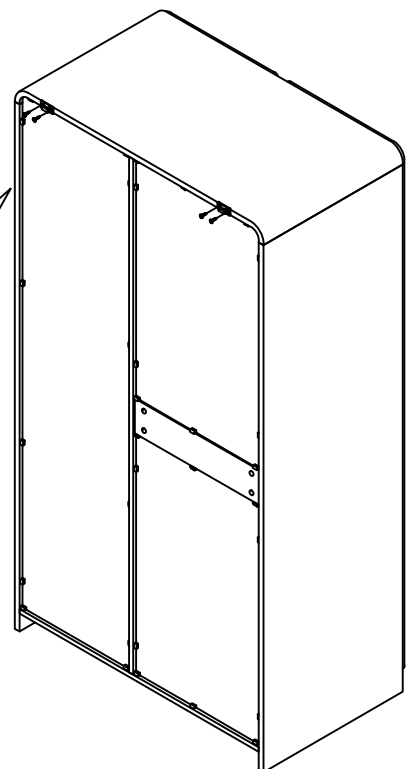
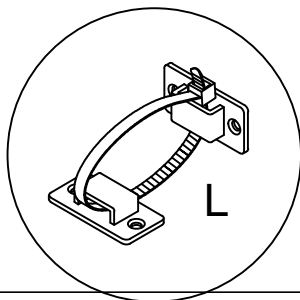
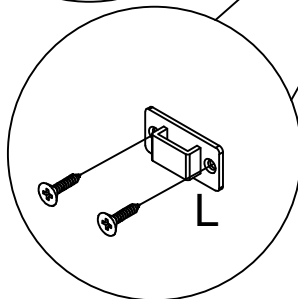
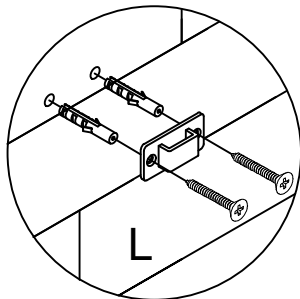
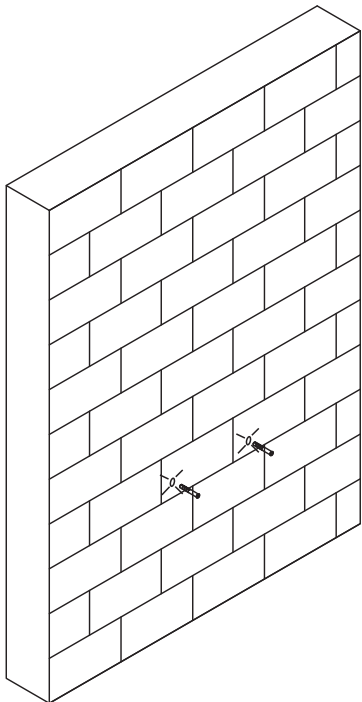






15



K	X34	J	X34
 3*16			

16



L	X4	L	X2	L	X4	L	X4
						 3.5*45	

