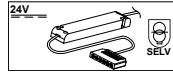
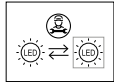


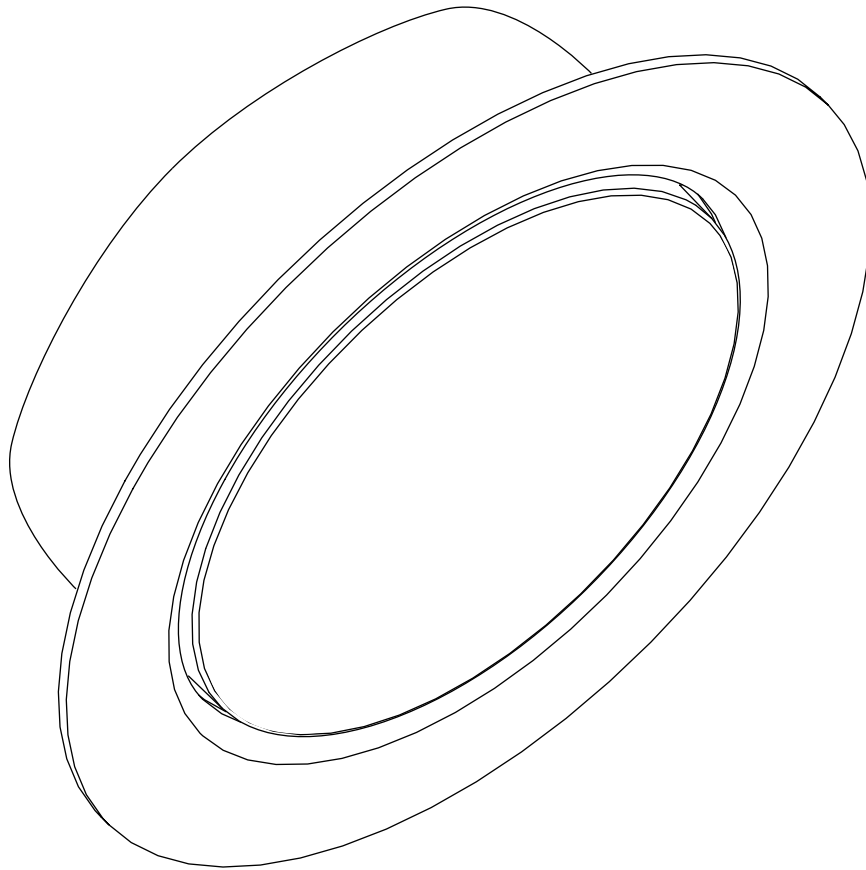


24 V \equiv

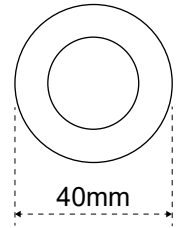
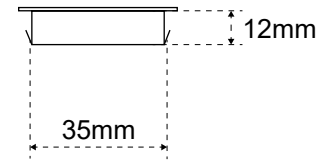
3000K
4000K
6500K



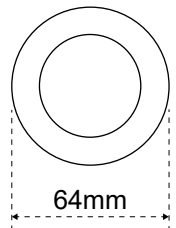
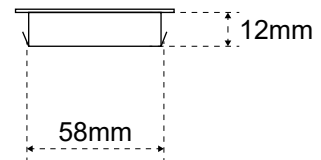
FOR CABINET USE ONLY (this marking includes under cabinet an surface mounting use, as applicable) UNDER CABINET AND SURFACE MOUNTING USE



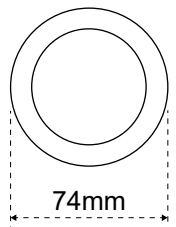
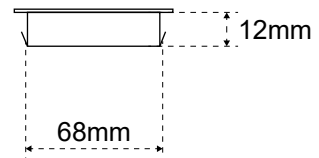
NUBE 35 1,8W



NUBE 58 2,5W

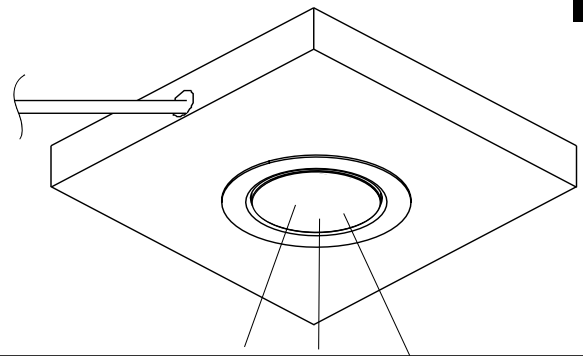
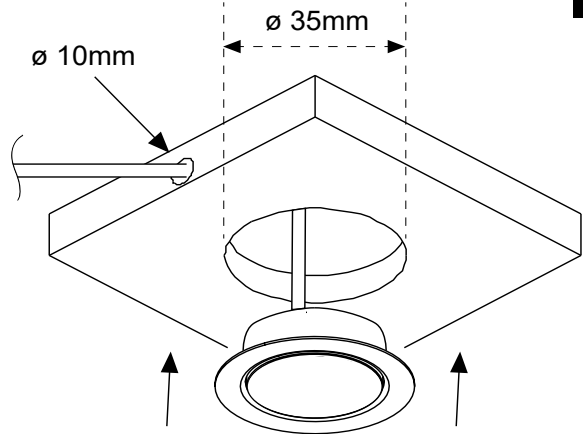


NUBE 68 3,0W

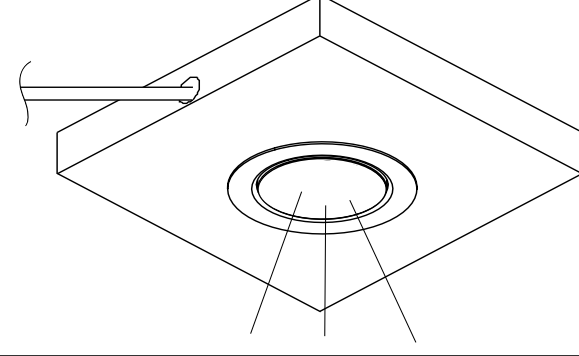
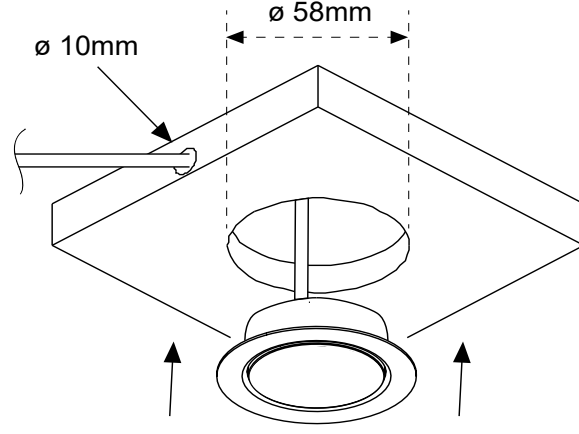




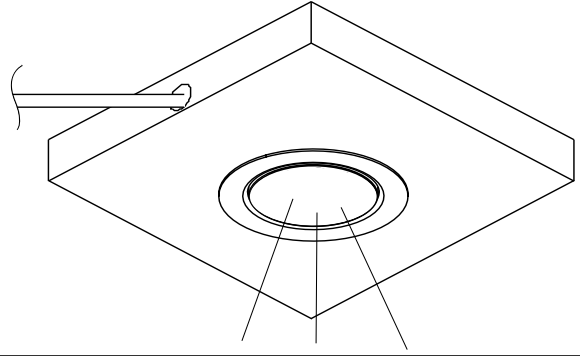
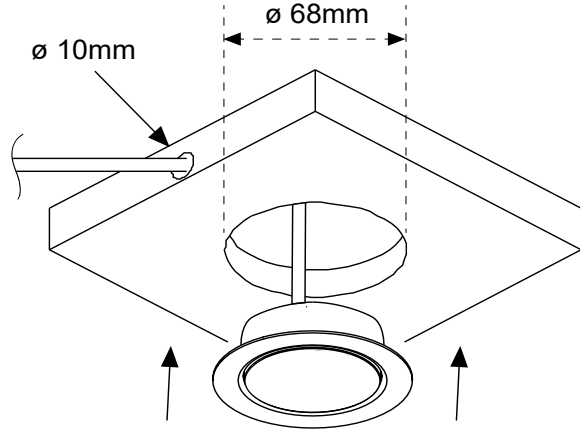
NUBE 35 1,8W



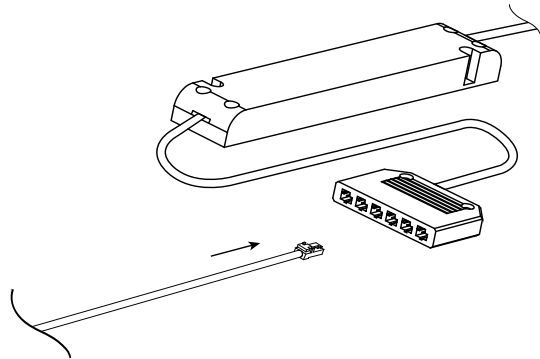
NUBE 58 2,5W



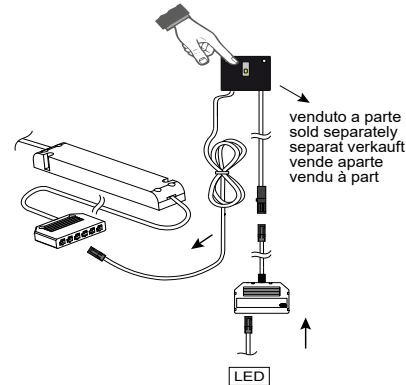
NUBE 68 3,0W



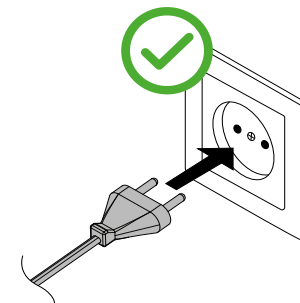
3a Warning : Use only with Class 2 Power unit 24 Vdc



3b



4



CAUTION:
The mounting means provided with this luminaire has not been evaluated for reliability. If installed where failure of the mounting means could cause injury to persons or damage to property below, supplemental means of nsecurement should be considered."