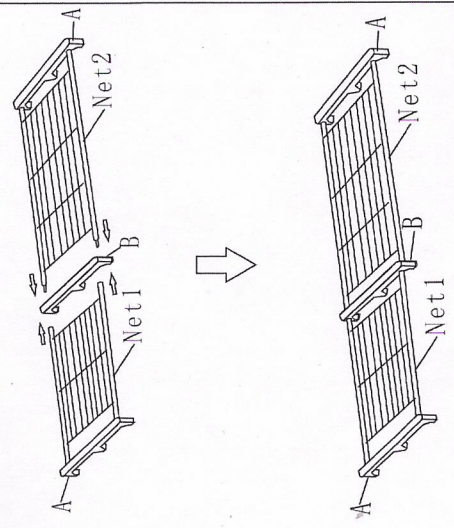


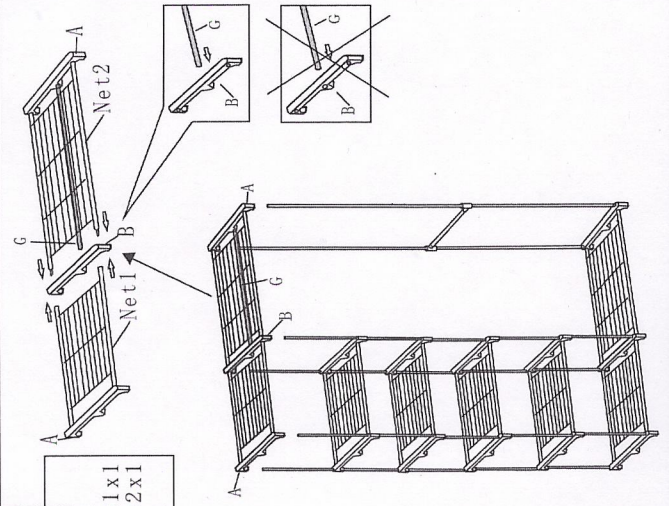
# 26870287-06

NO	Qty	Length mm	Sketch
B	2		
C	20	338	
D	1	460	
E	4	850	
G	1	690	
T	2		
Net1	6		
Net2	2		
M	1		

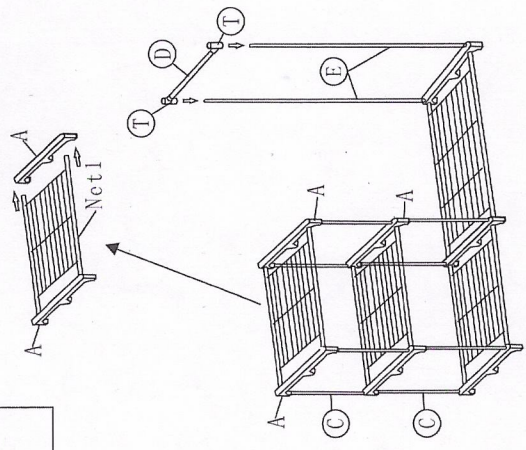
**1**  
Ax2  
Bx1  
Net1x1  
Net2x1



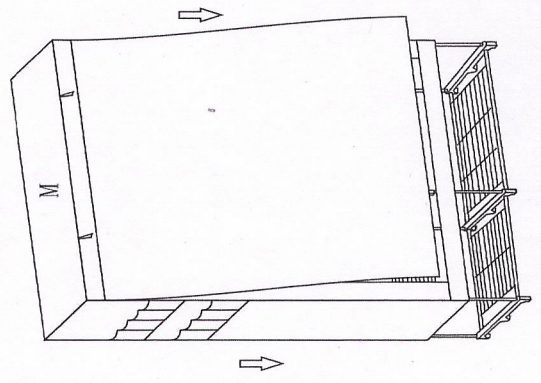
**4**  
Ax2  
Bx1  
Net1x1  
Net2x1  
Gx1



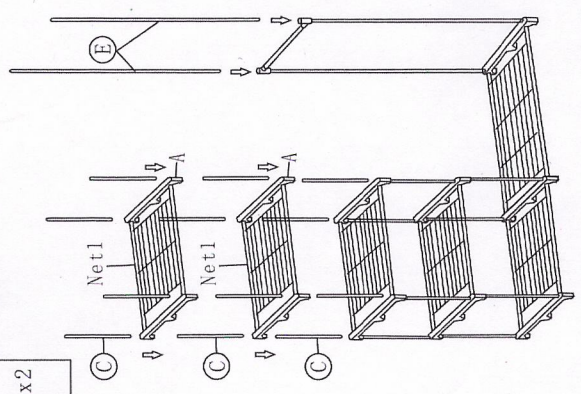
**2**  
Ax4  
Cx8  
Net1x2  
Ex2  
Tx2



**5**  
Mx1



**3**  
Cx12  
Ax4  
Net1x2  
Ex2



**6**

