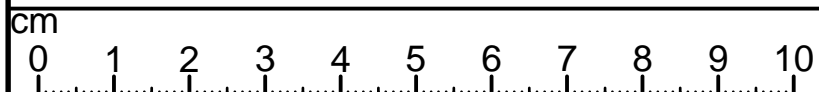
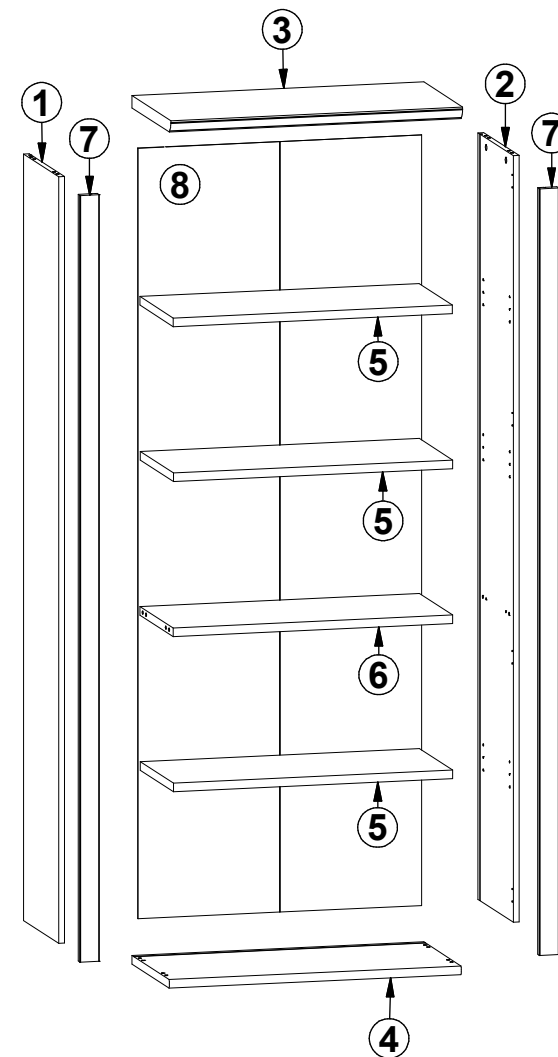
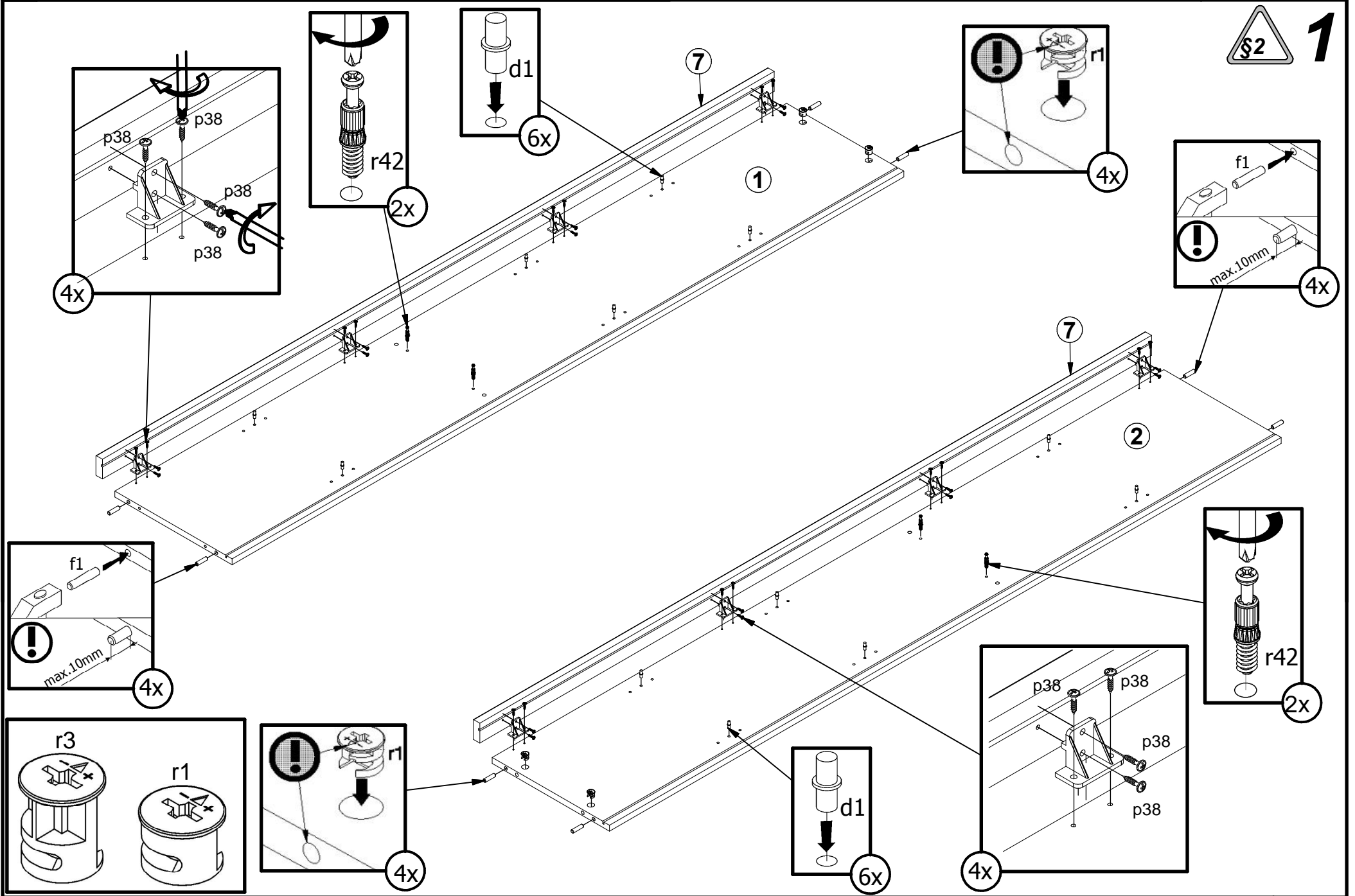
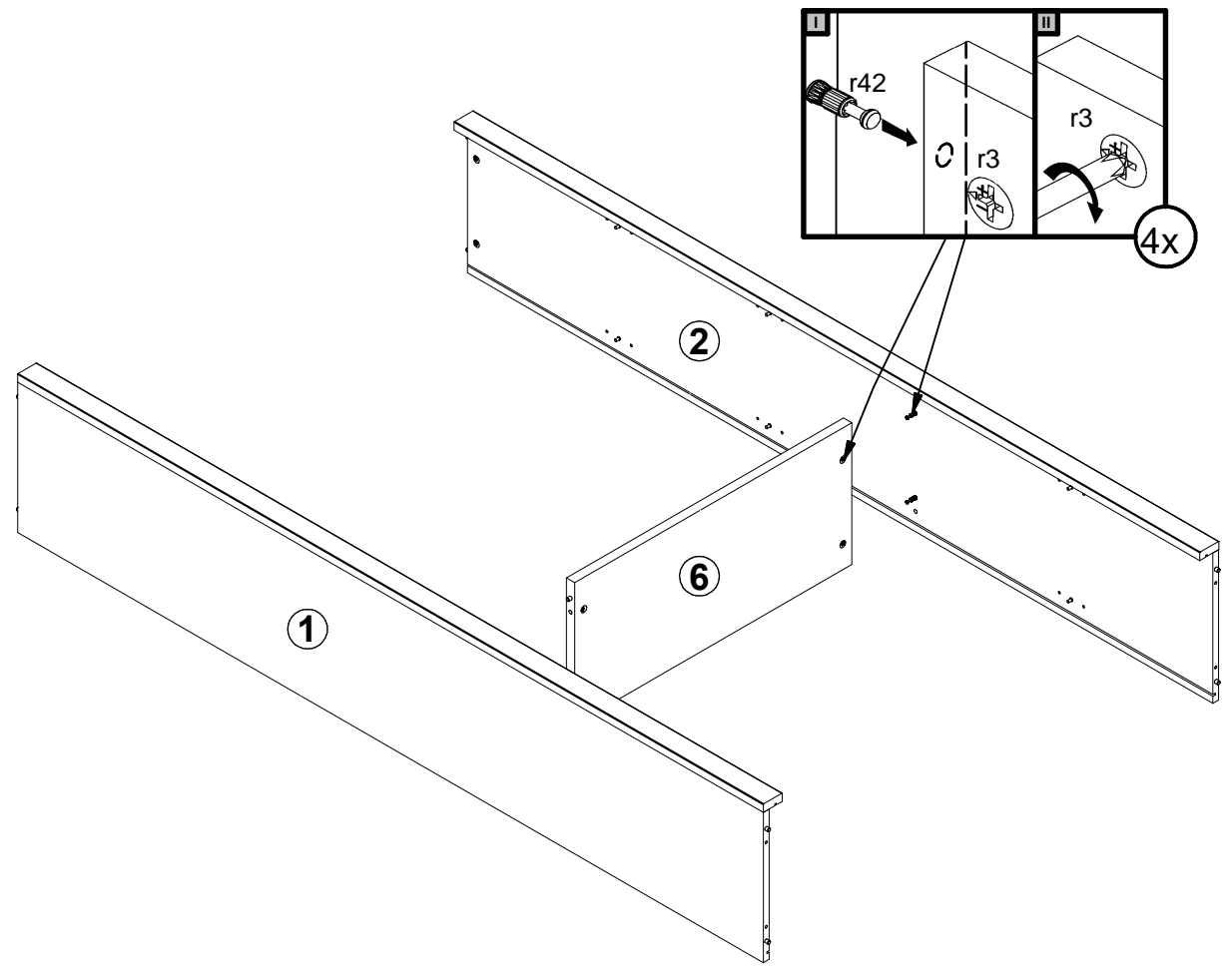
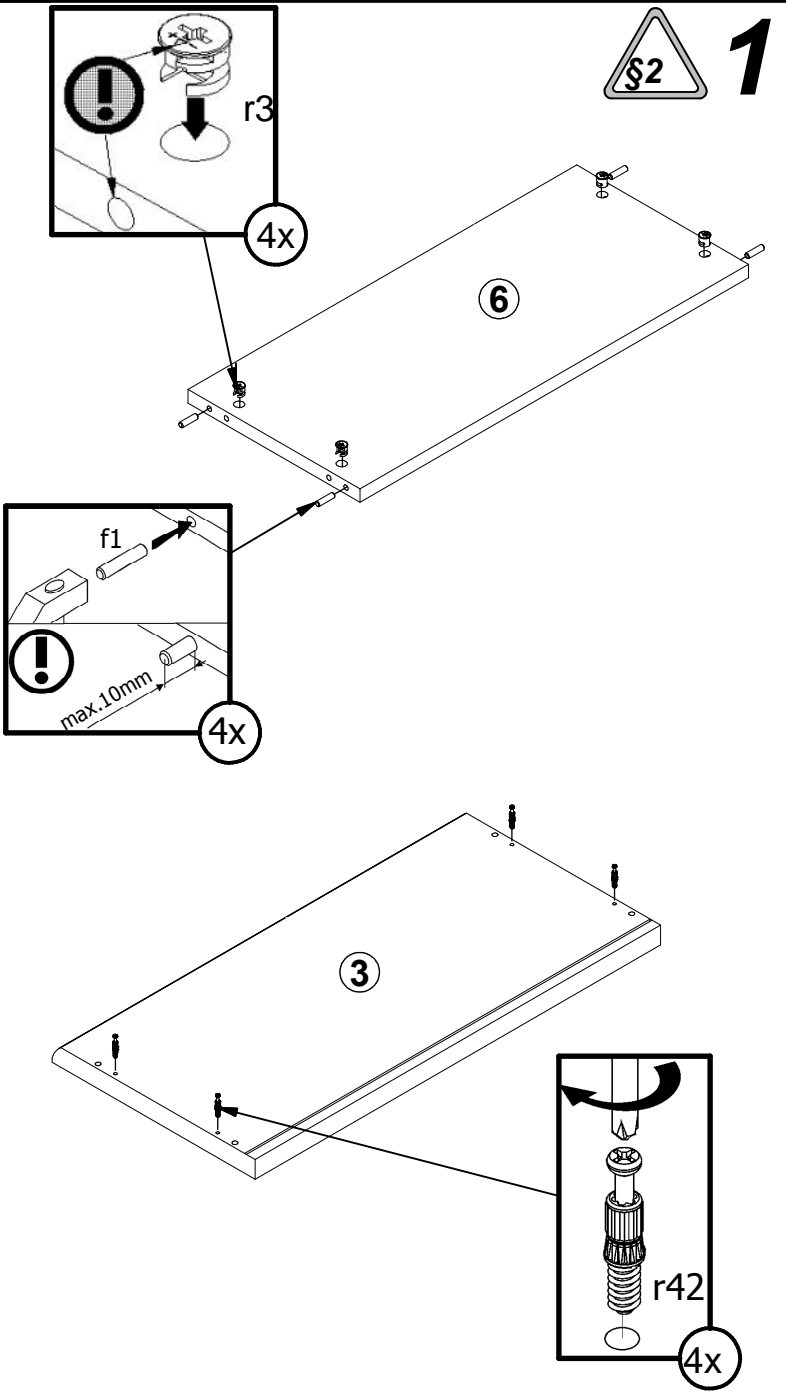


A	B	C1	C2	C3	D
1	S516-1005	1958	342	15	2/2
2	S516-1006	1958	342	15	2/2
3	S516-2001	760	380	32	1/2
4	S516-2002	760	365	22	1/2
5	S516-3001	727	322	22	1/2
6	S516-3002	728	322	22	1/2
7	S516-5003	1958,	50	19	2/2
8	S516-9303	1968	739,	2,5	2/2

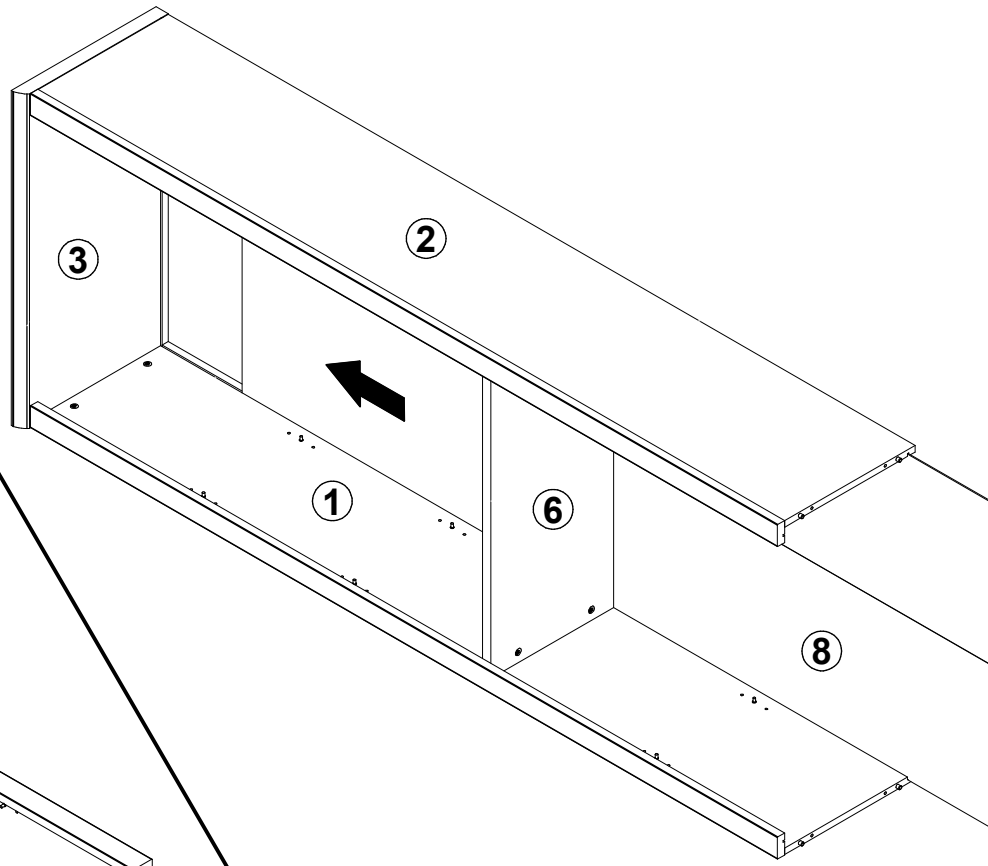
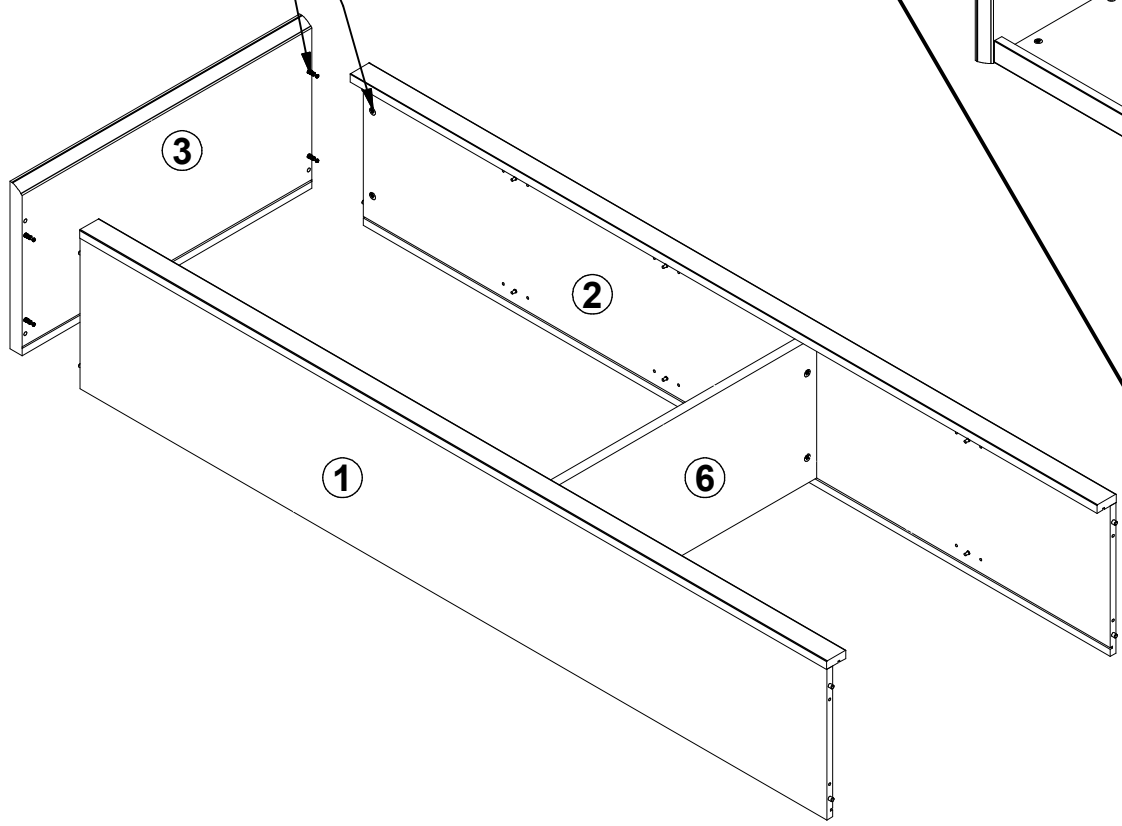
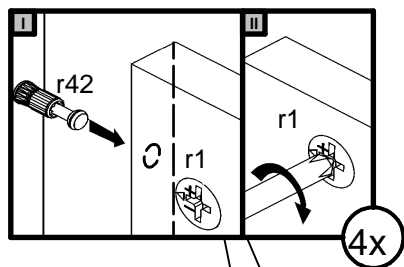




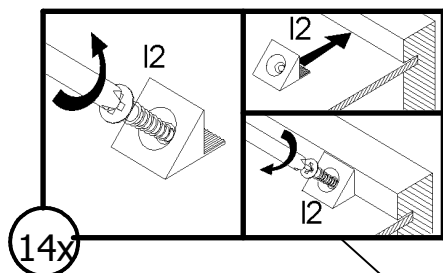


3

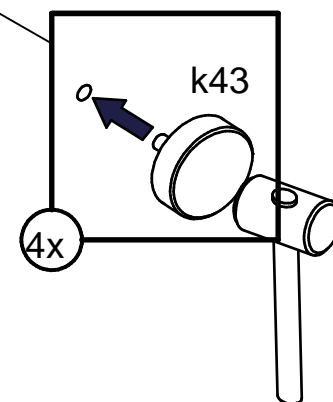
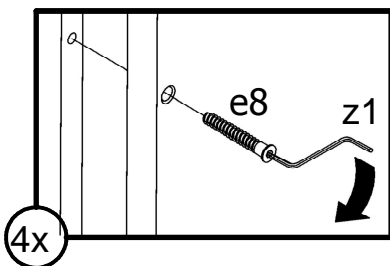
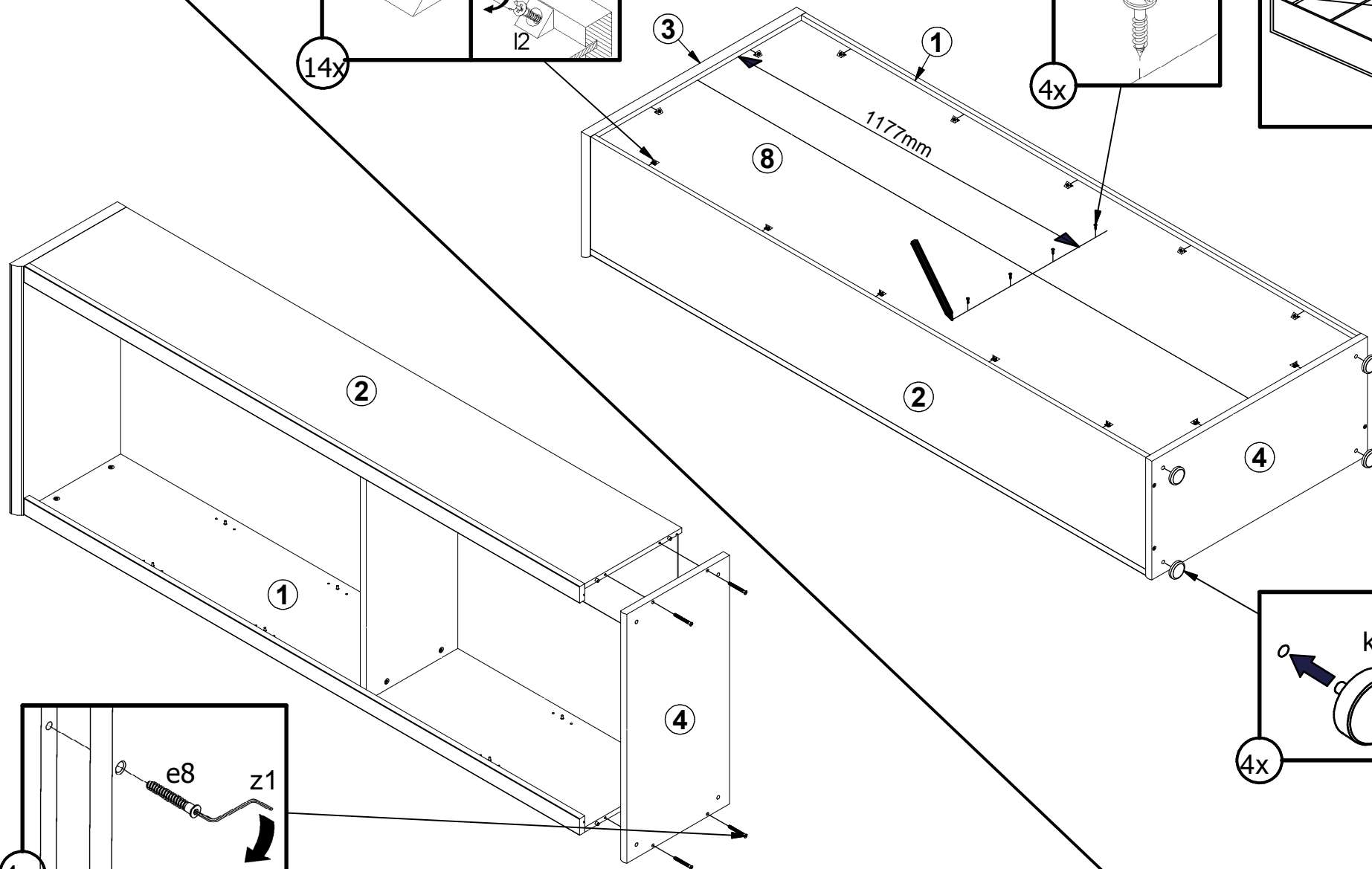
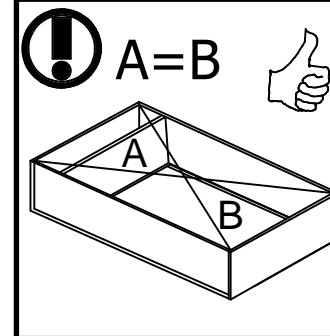
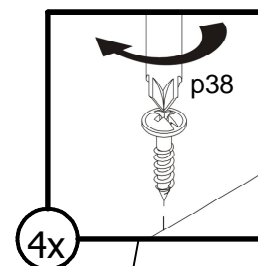
4



5



6



7

