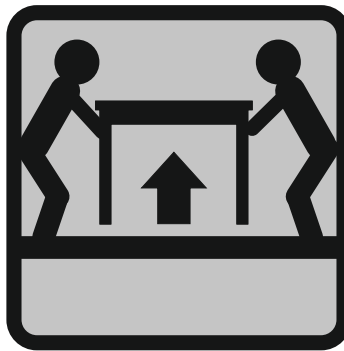
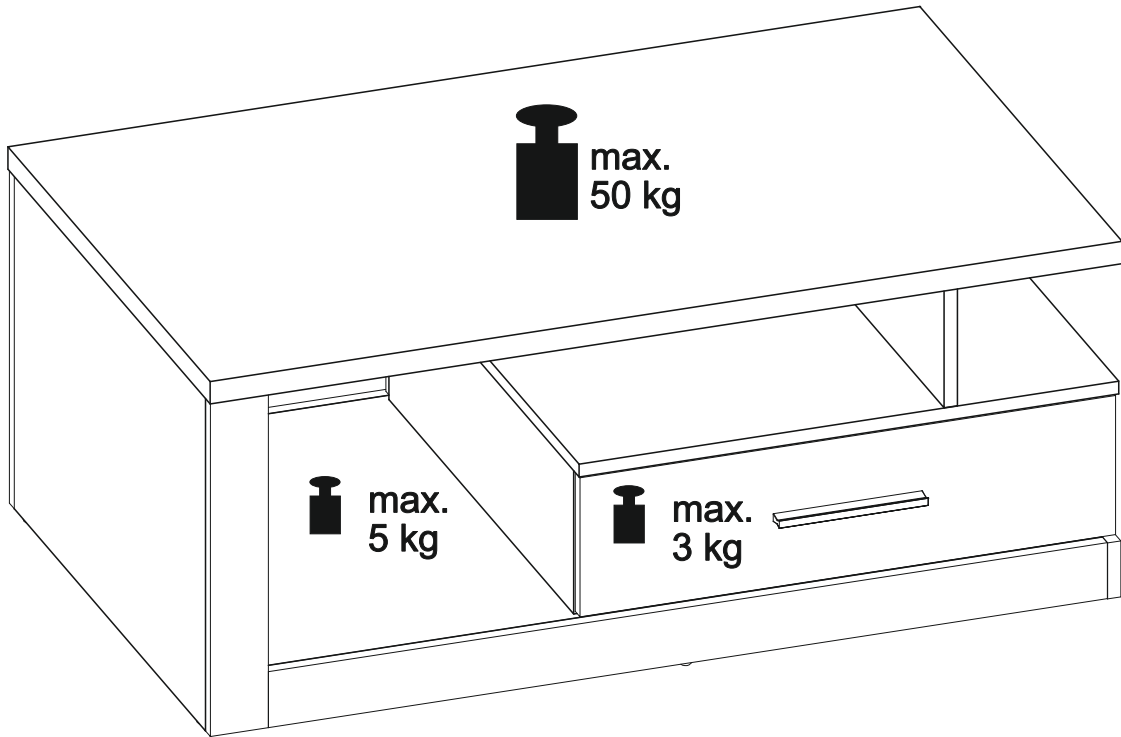
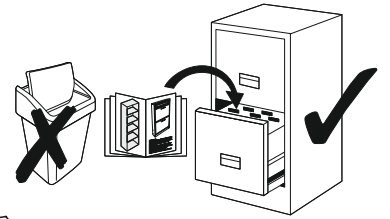
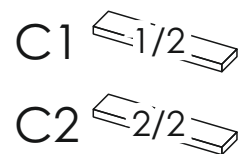


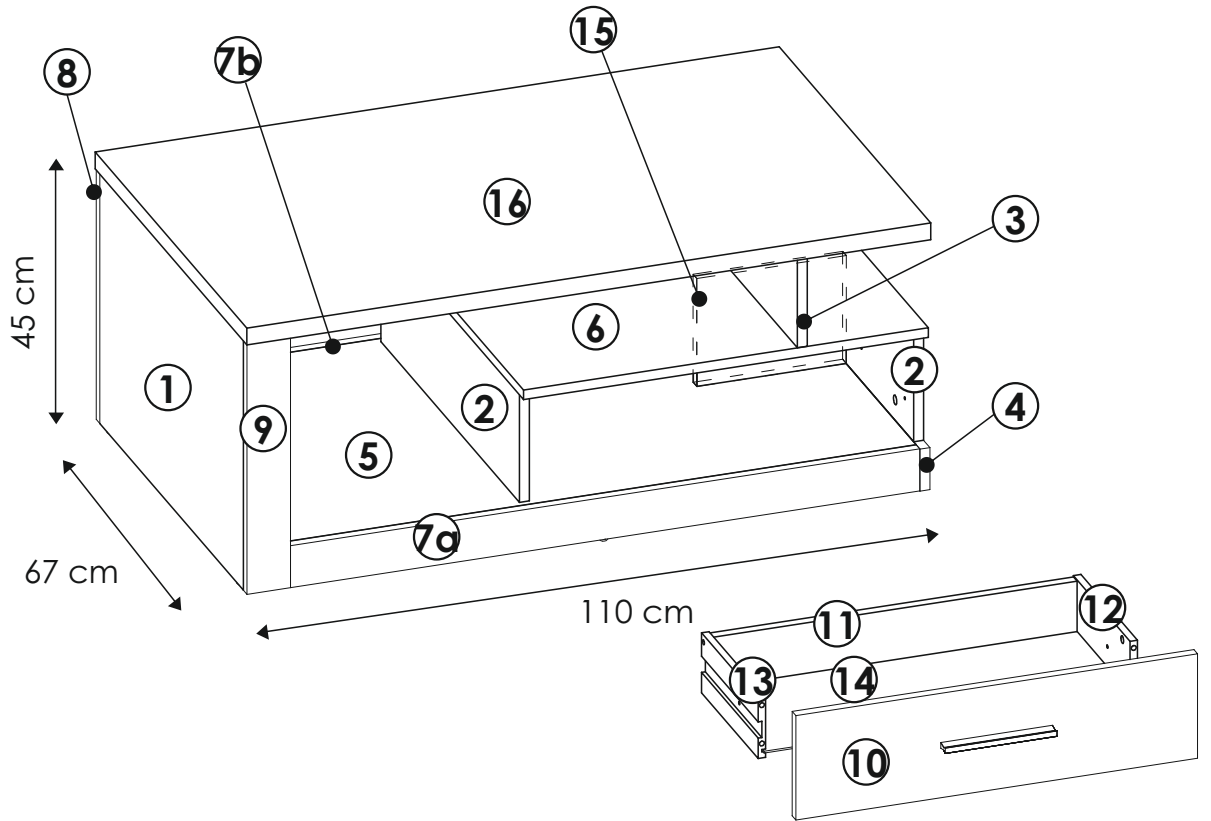
IGUAN IUT01



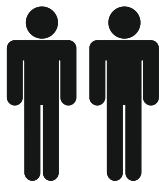
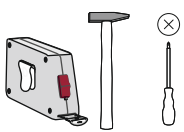
- ① - C1 ④ - C2 ⑦ - C2 ⑩ - C1 ⑬ - C2
- ② - C2 ⑤ - C1 ⑧ - C2 ⑪ - C2 ⑭ - C1
- ③ - C1 ⑥ - C1 ⑨ - C2 ⑫ - C2 ⑮ - C1
- ⑯ - C2

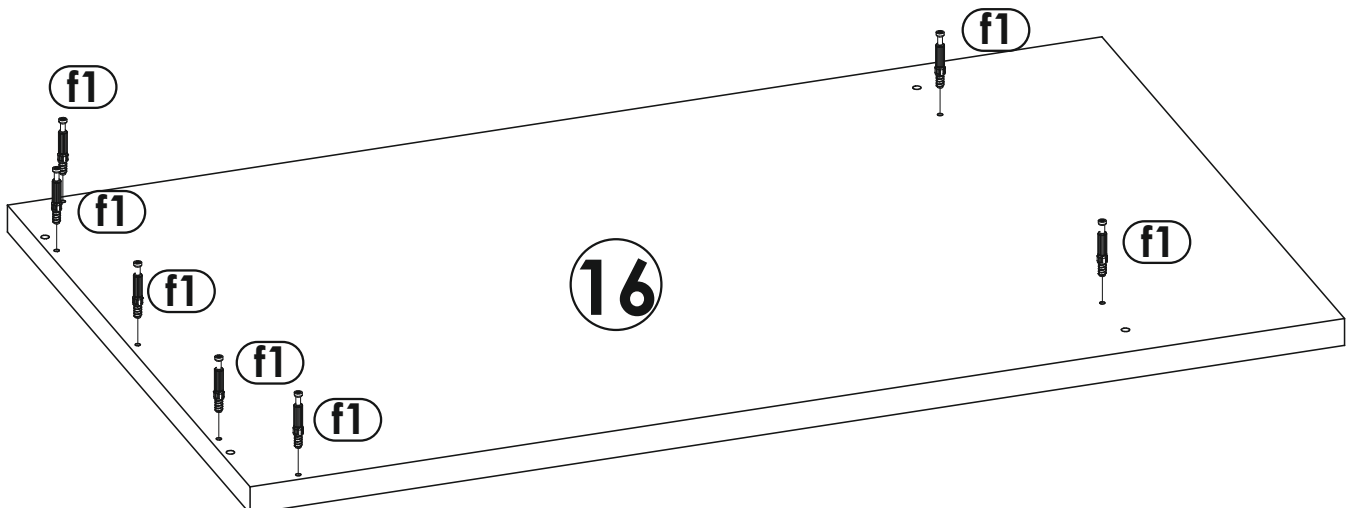
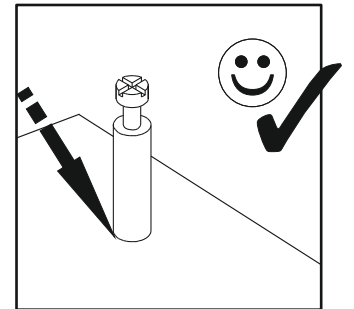
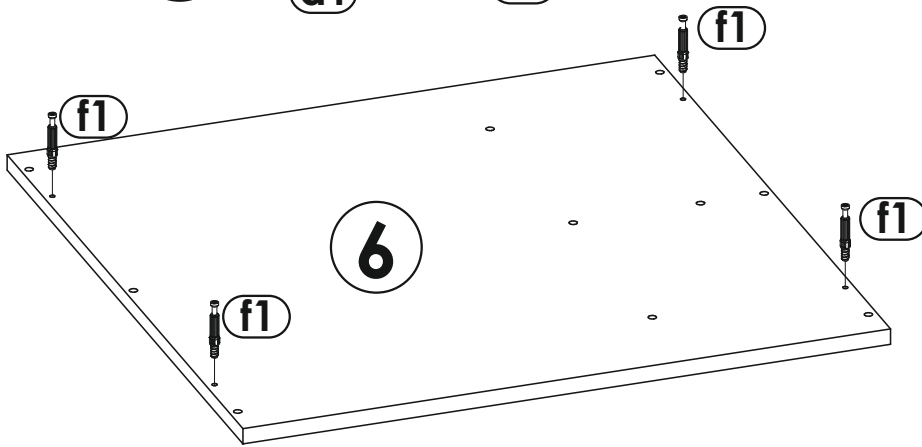
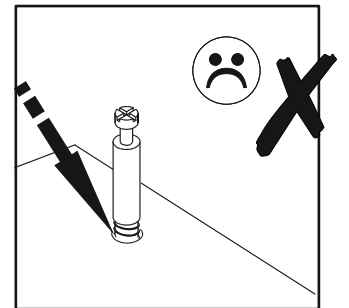
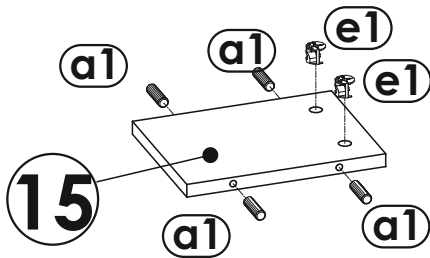
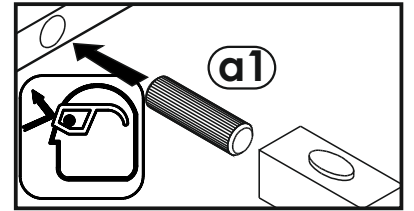
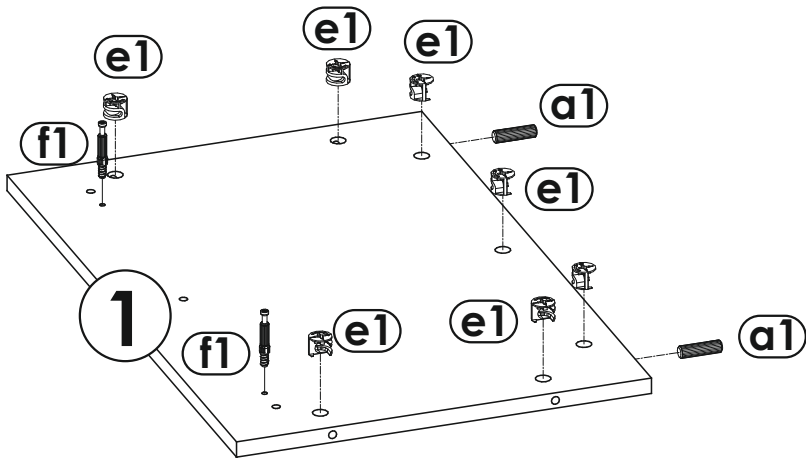
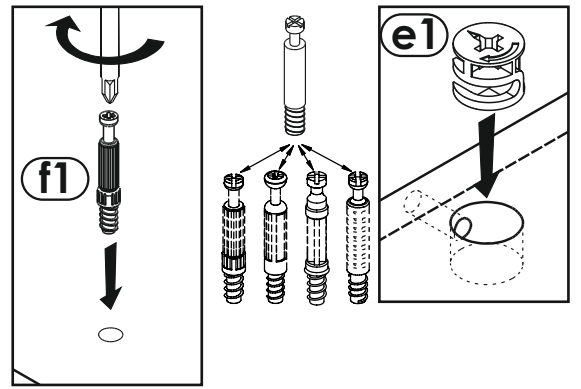
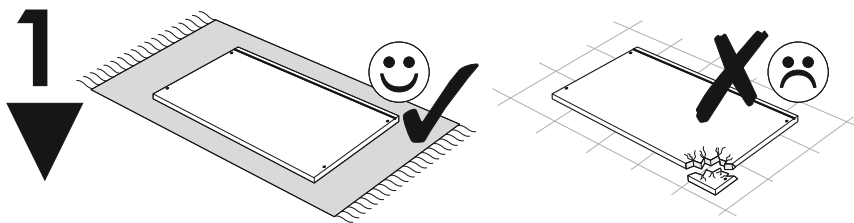


IGUAN IUT01

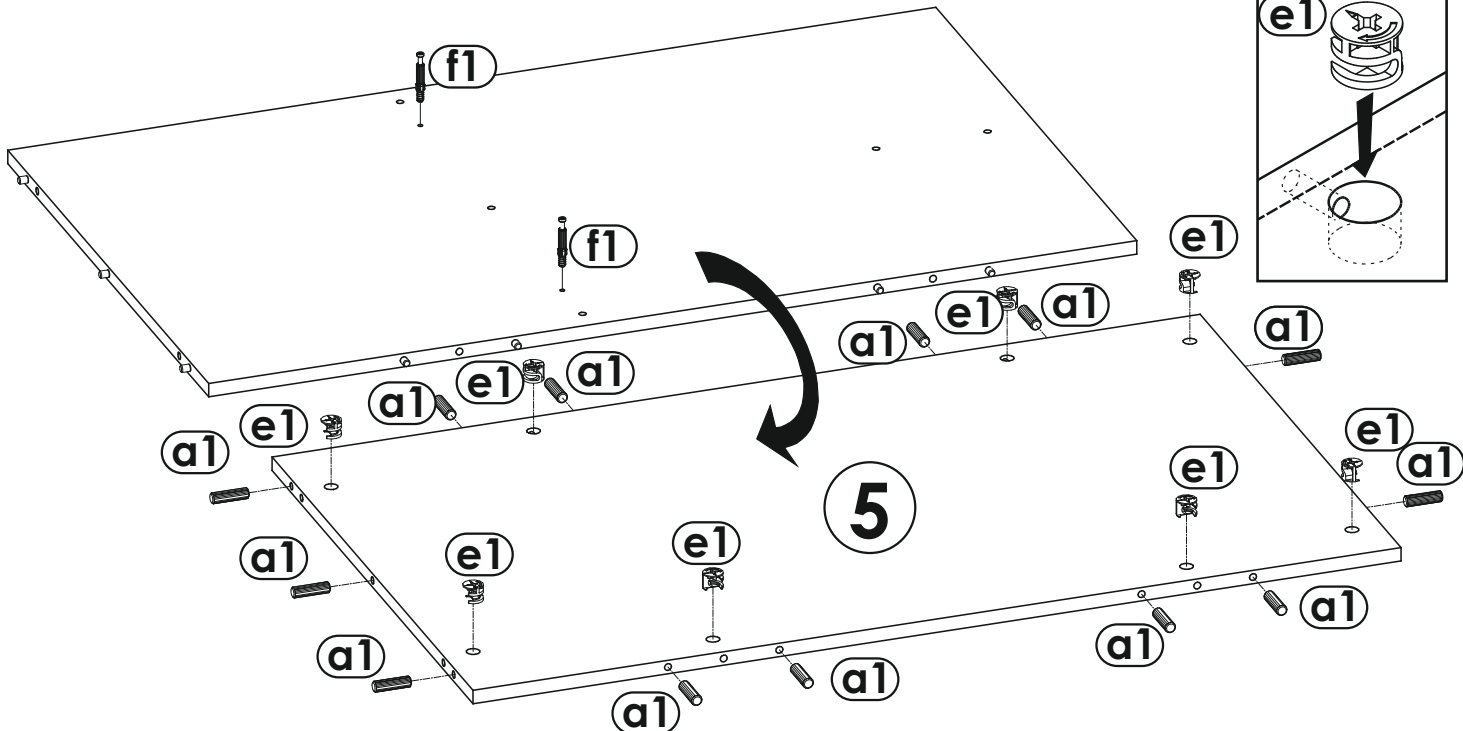
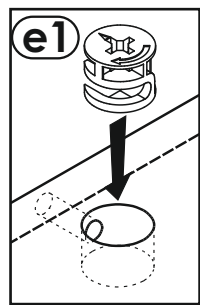
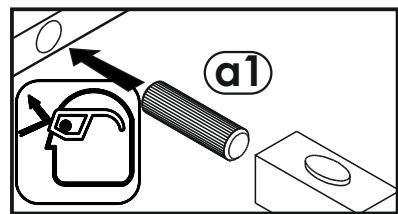
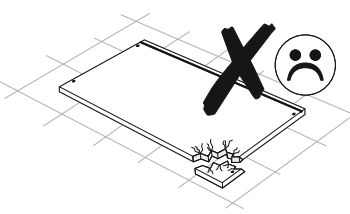
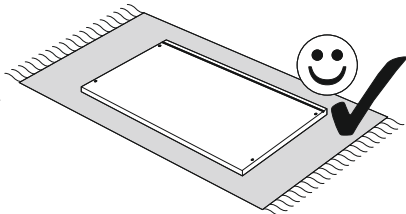


a1 8x35 x...(x42)	a2 8x45 x...(x5)	c2 Euro 5x13 x...(x8)	e0 x...(x35)	e1 x...(x35)	e3 x...(x8)	f1 x...(x27)	f4 7x58 x...(x4)	g0 x...(x6)	g1 7x50 x...(x6)
h1 x...(x2)	i4 3,5x27 x...(x4)	k1 4x9 x...(x4)	m x...(x1)	n1 3x16 x...(x10)	o2 x...(x6)	r4 x...(x2)	r8 x...(x4)		
t9 x...(x4)									

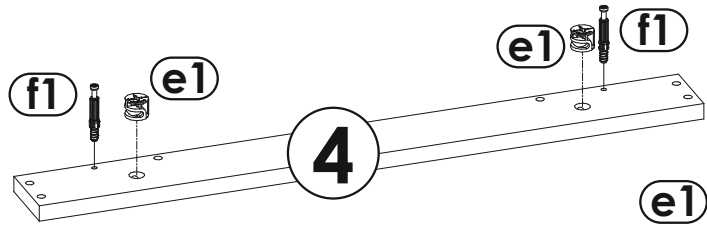
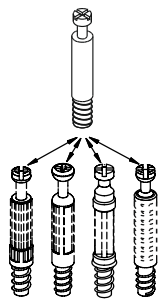
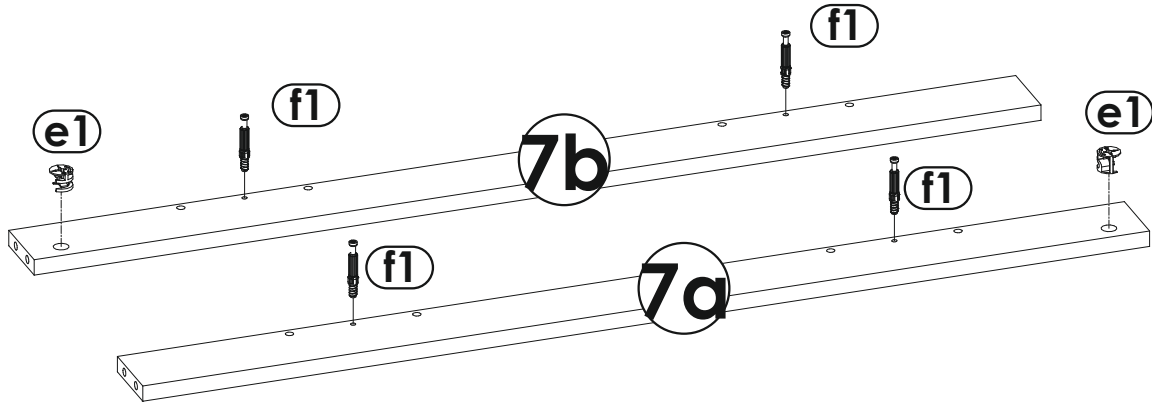




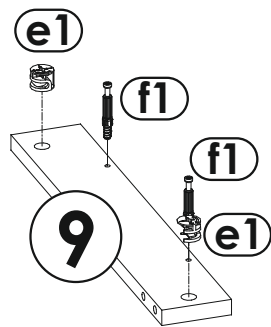
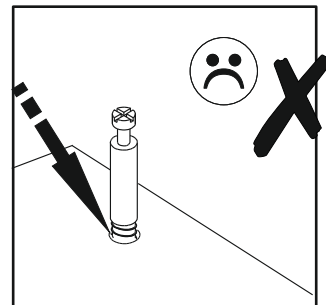
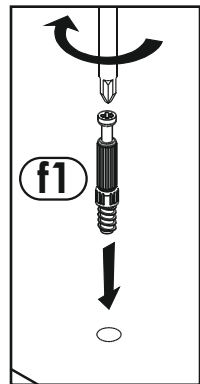
2



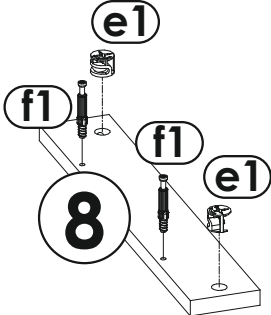
5



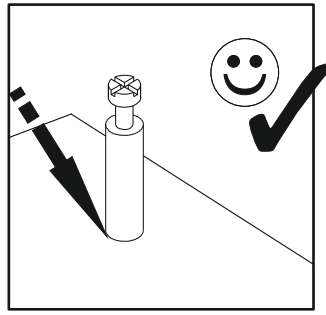
4

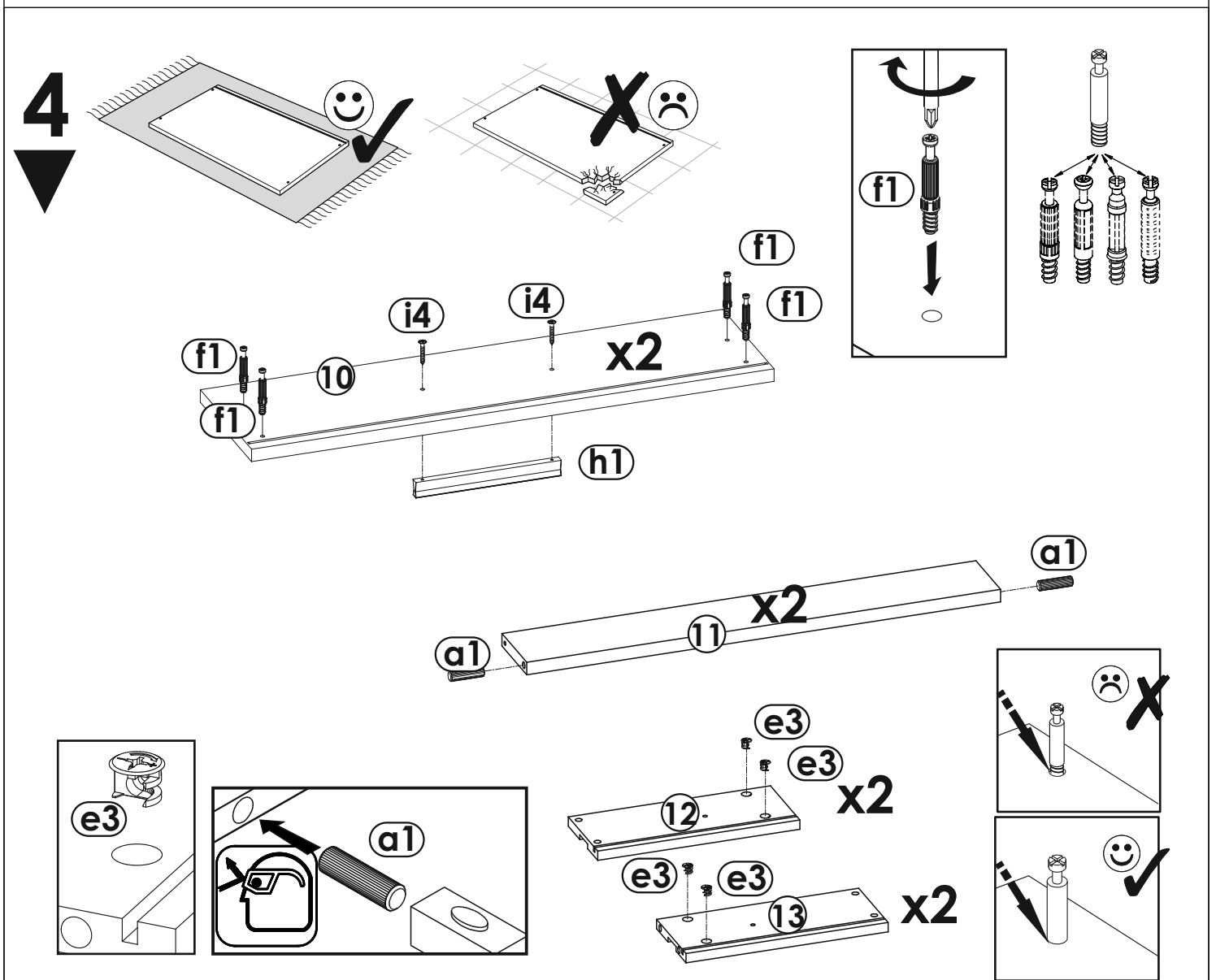
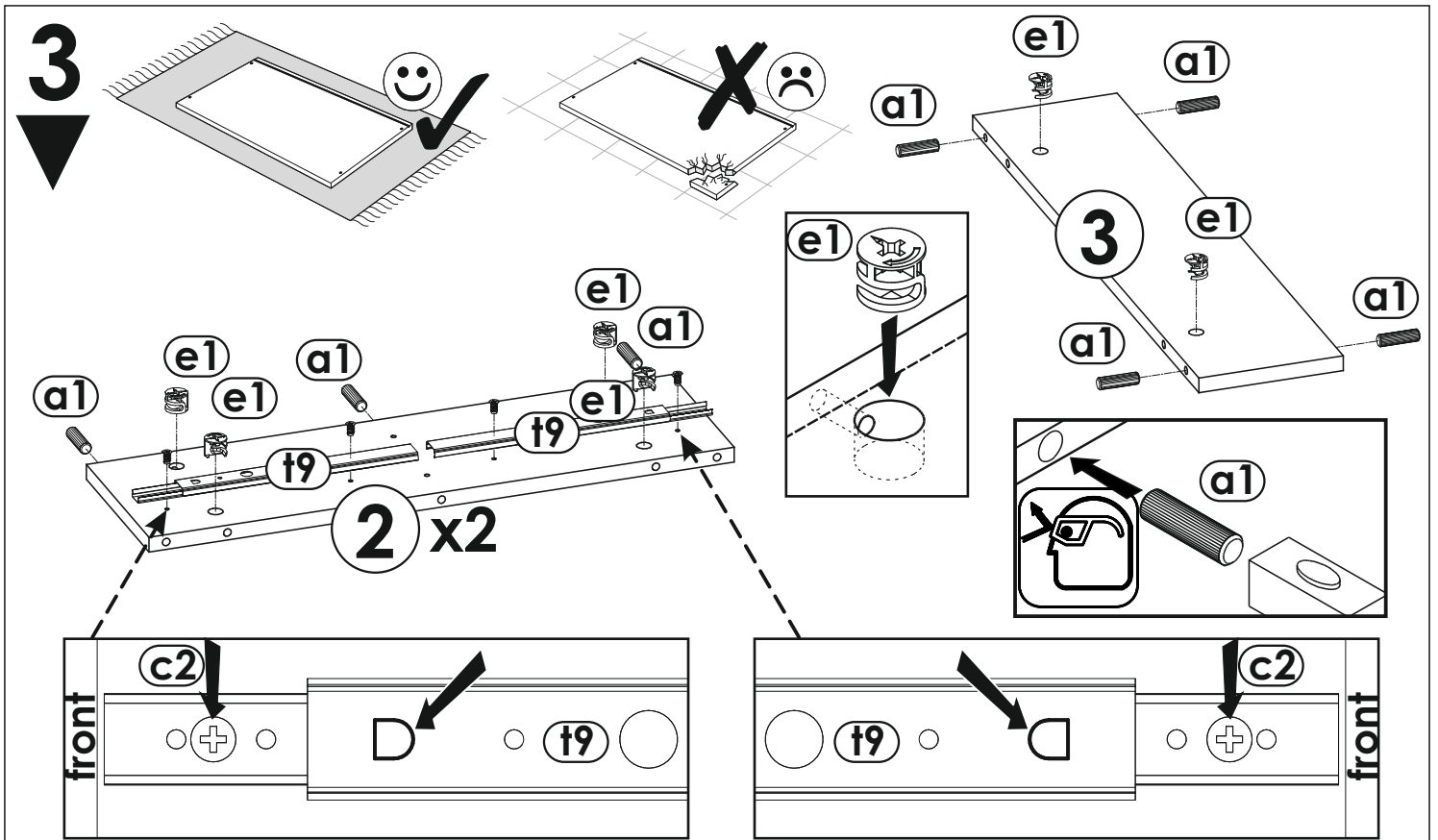


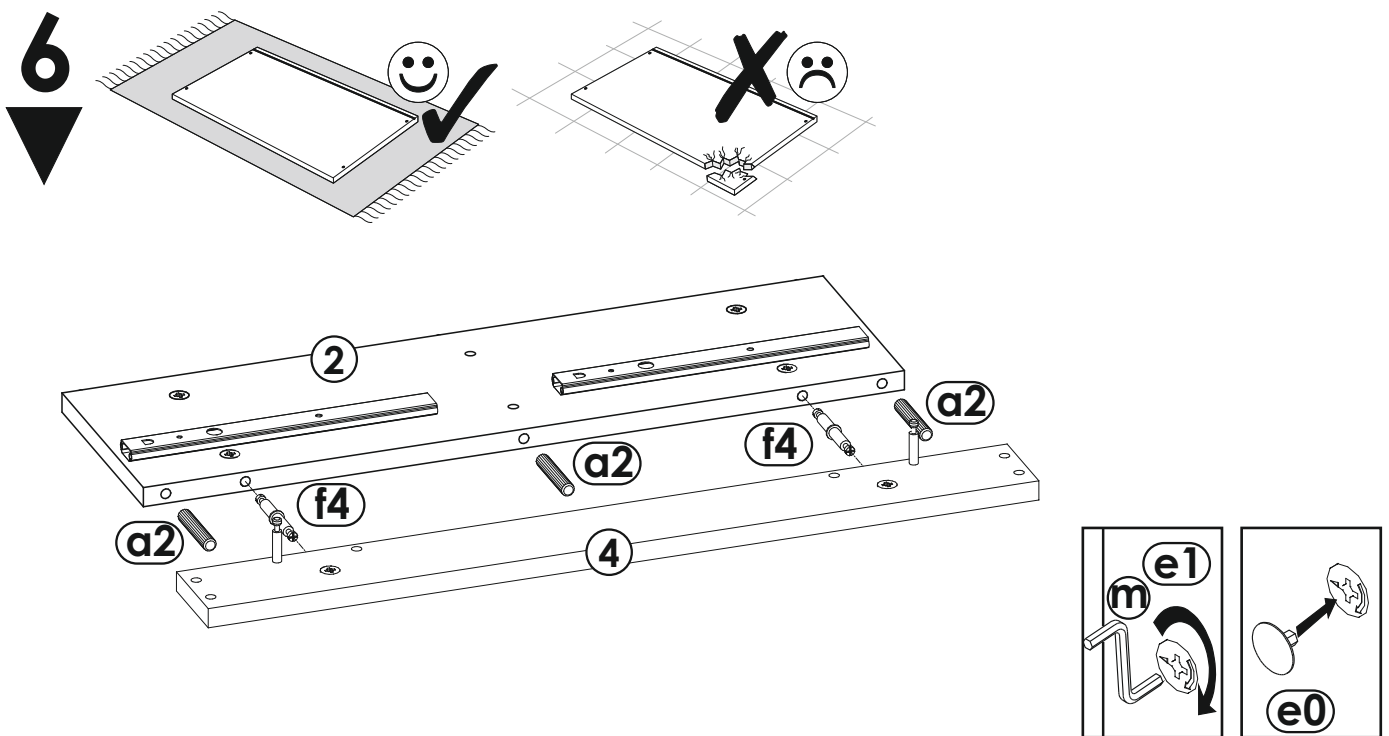
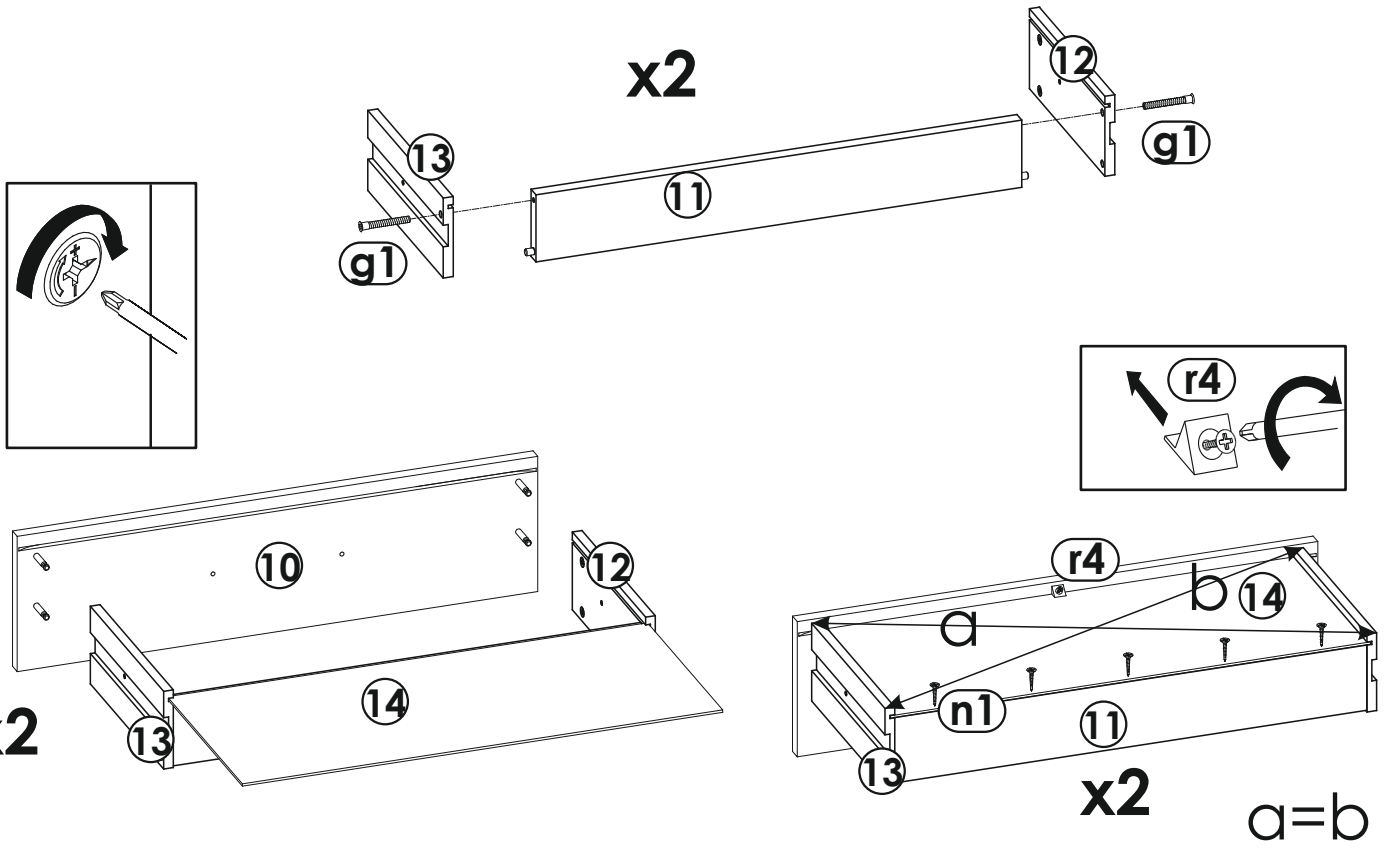
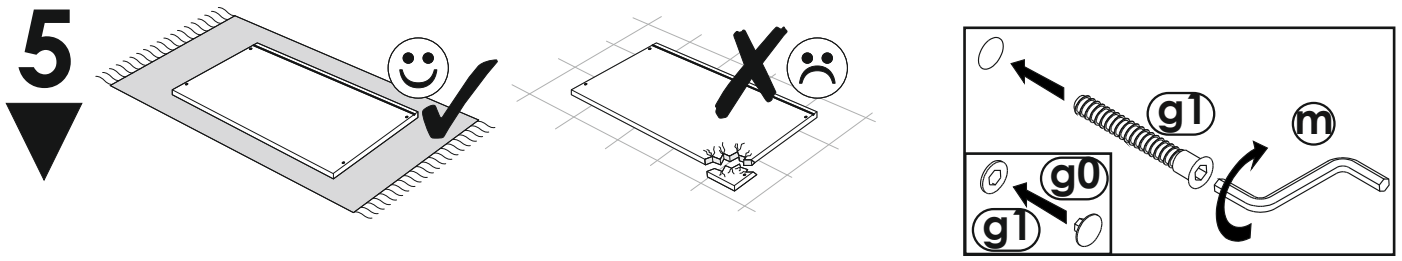
9

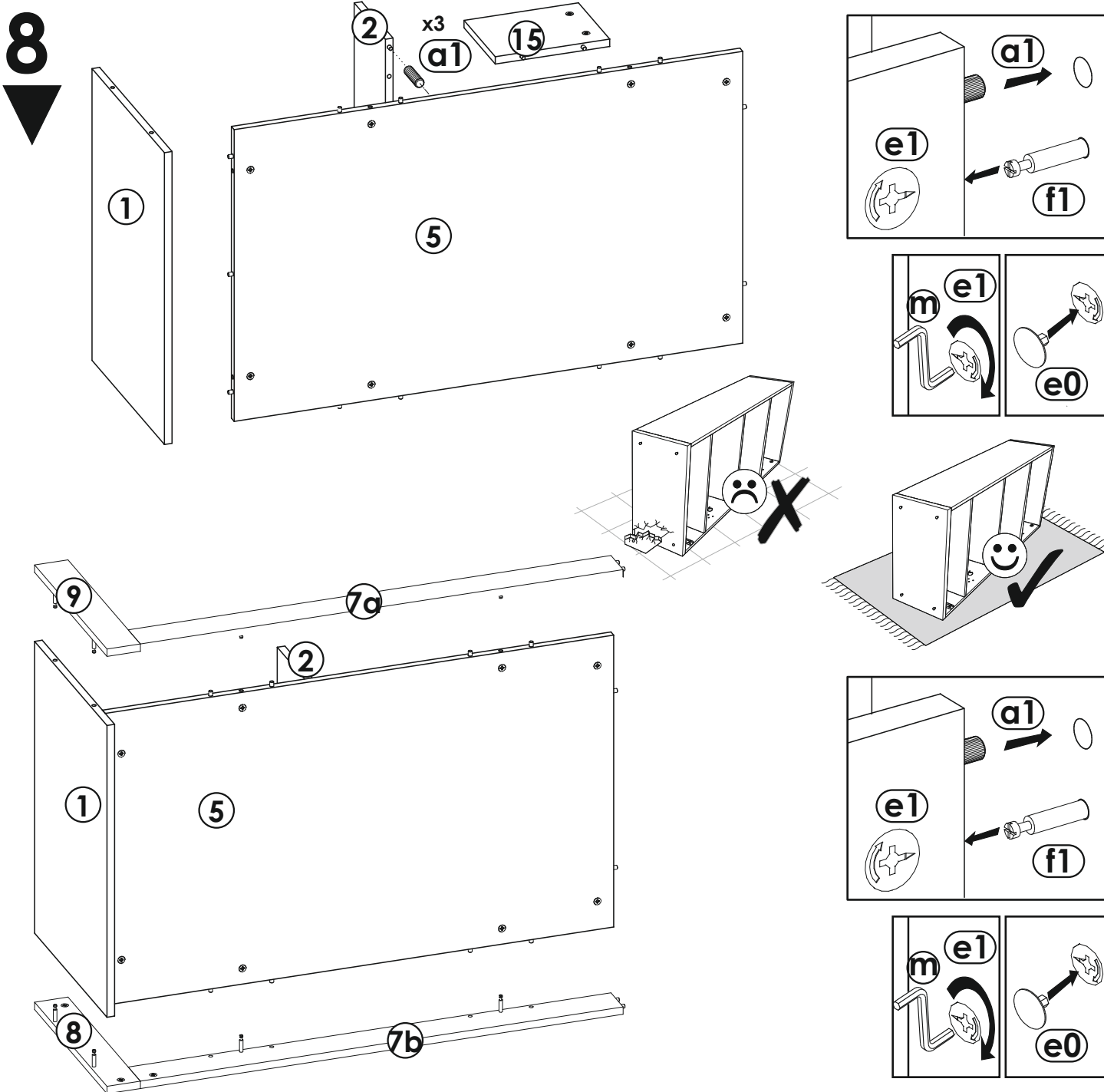
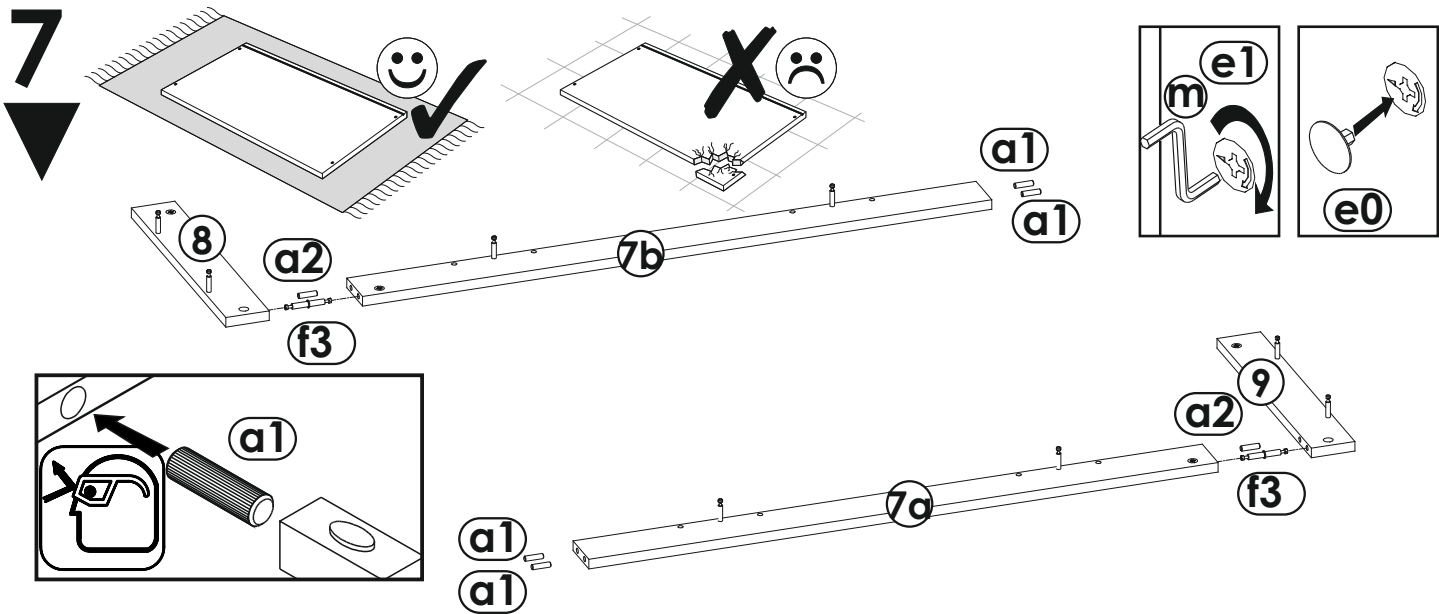


8

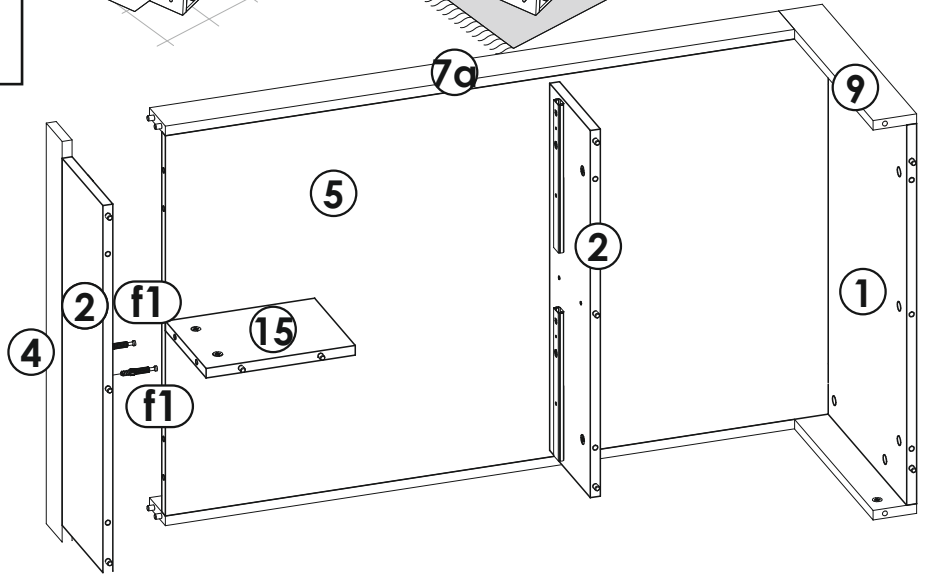
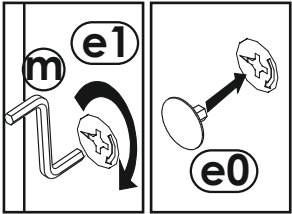
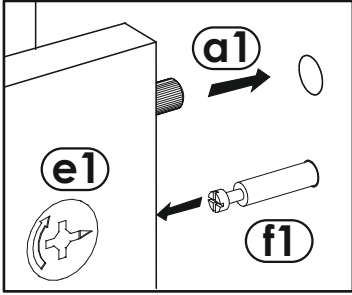
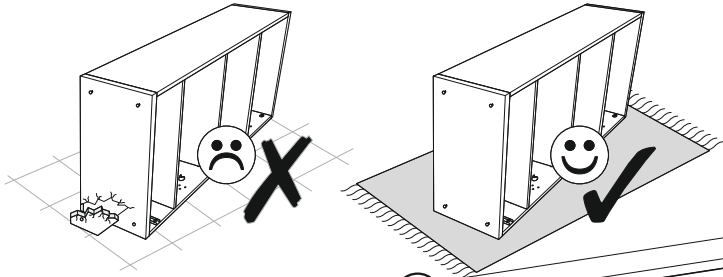
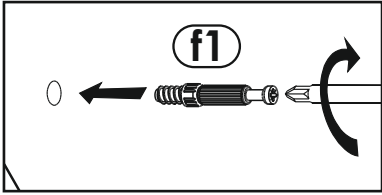




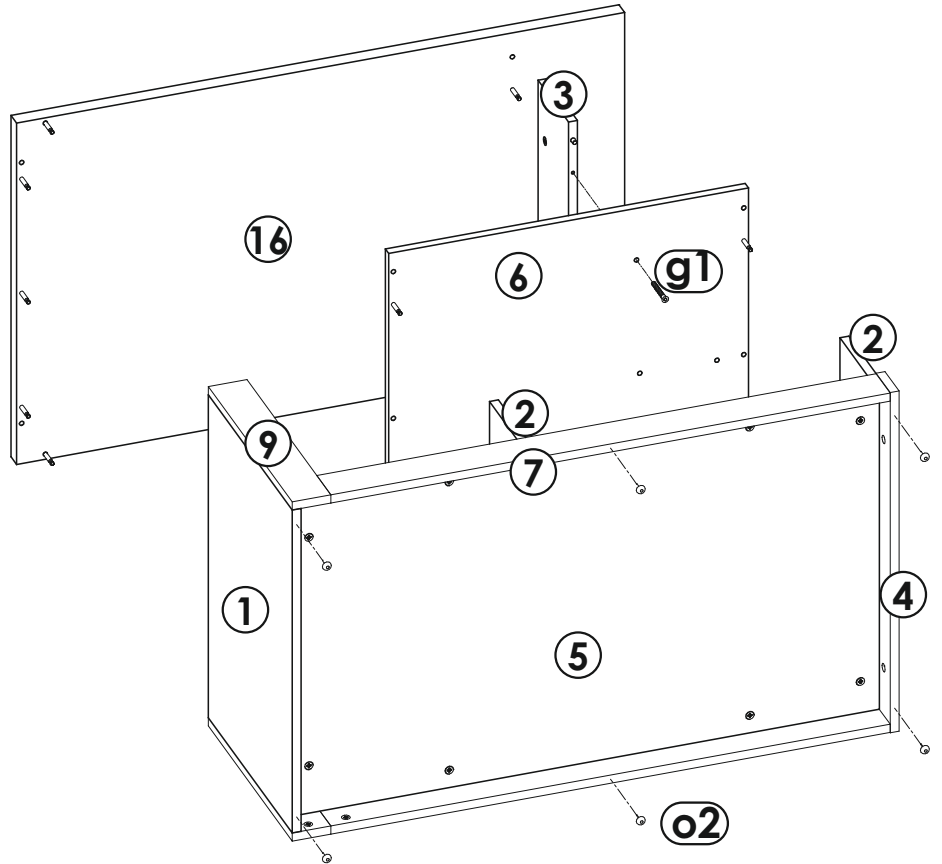
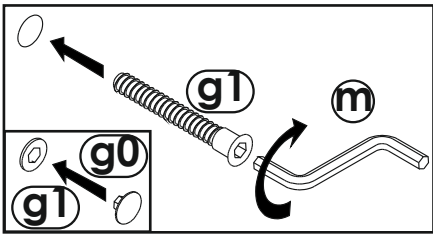
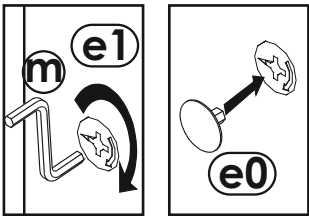
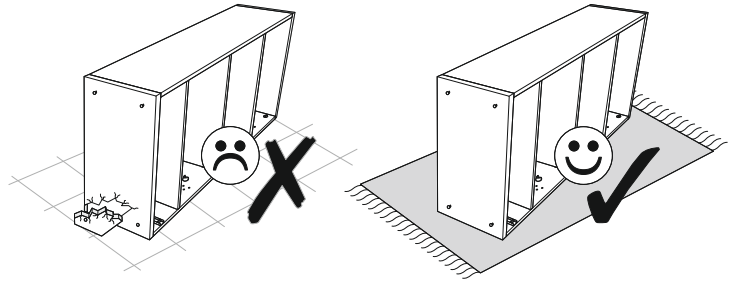
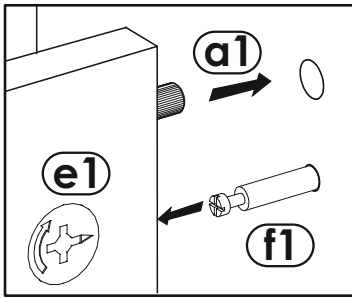




9



10



11

