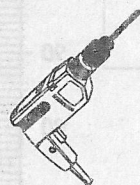
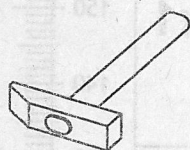
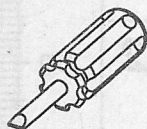
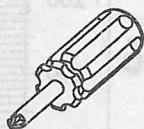
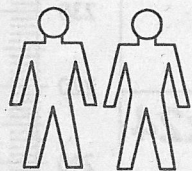


Mehrzweckschrank Bianco

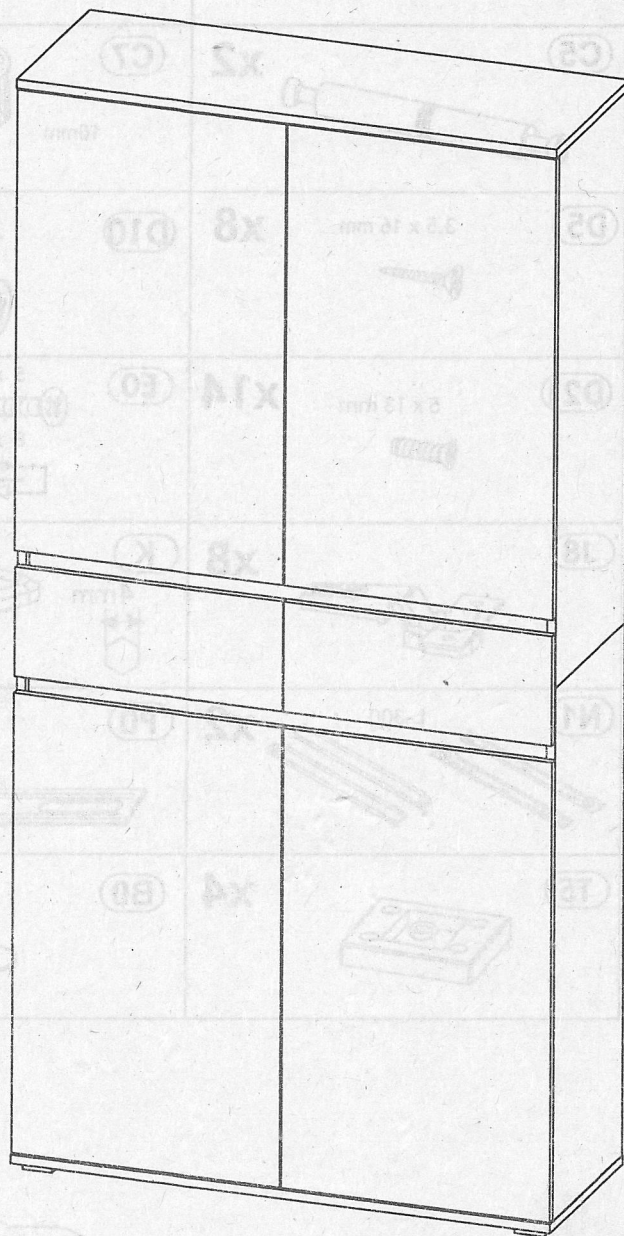
00030013-01



Ø8

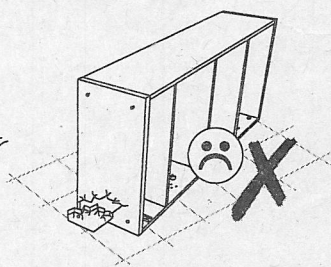
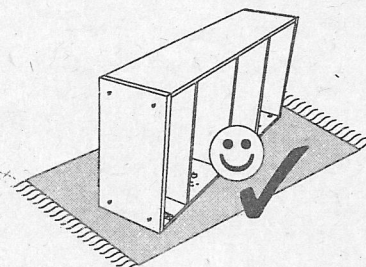
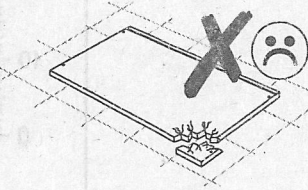
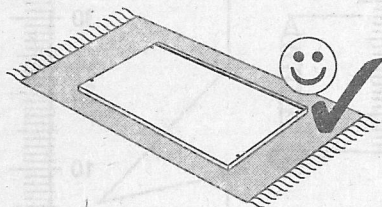
1000mm

45 min


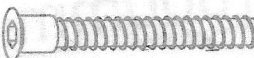

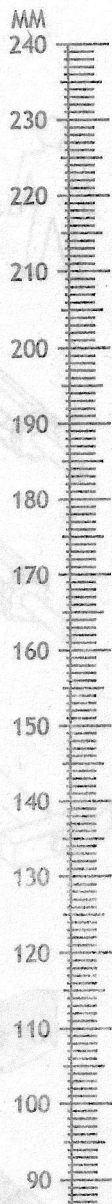

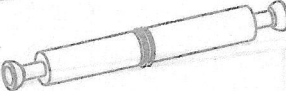






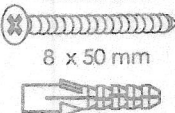

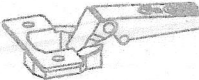
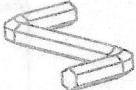

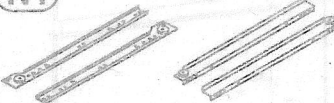

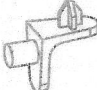




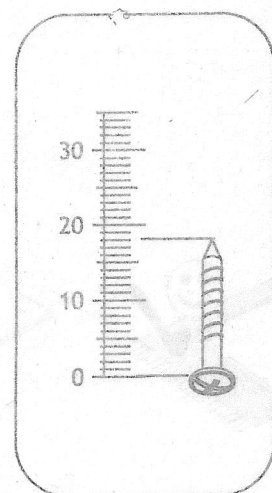
2000mm

370mm

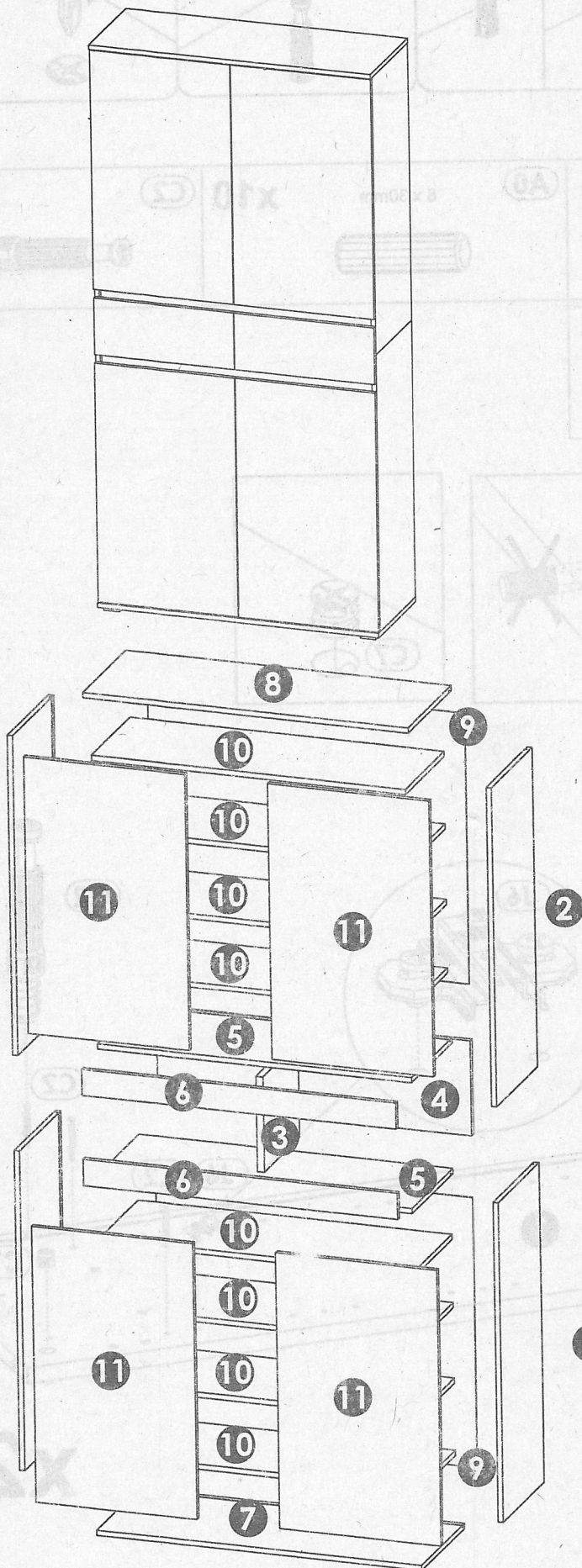



Mehrzweckschrank Bianco

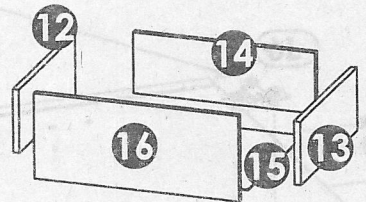
A0 8 x 30mm  x50	B1 f 7 x 50 mm  x18	C0  x4	
C2  x20	C5  x2	C7 16mm  x24	
D0 3 x 15 mm  x32	D5 3.5 x 16 mm  x8	D10 4 x 16 mm  x16	
D12 3.5 x 25 mm  x16	D21 5 x 13 mm  x14	E0 5 x 50 mm 8 x 50 mm  x2	
J6  x8	J8  x8	K 4mm  x1	
M1  x32	N1 L-300  x2	P0  x2	
Q3  x32	T5  x4	B0  x2	



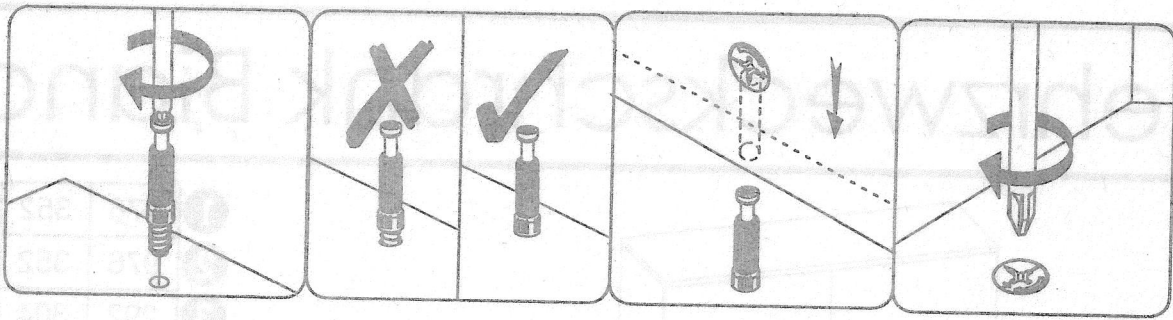
Mehrzweckschrank Bianco







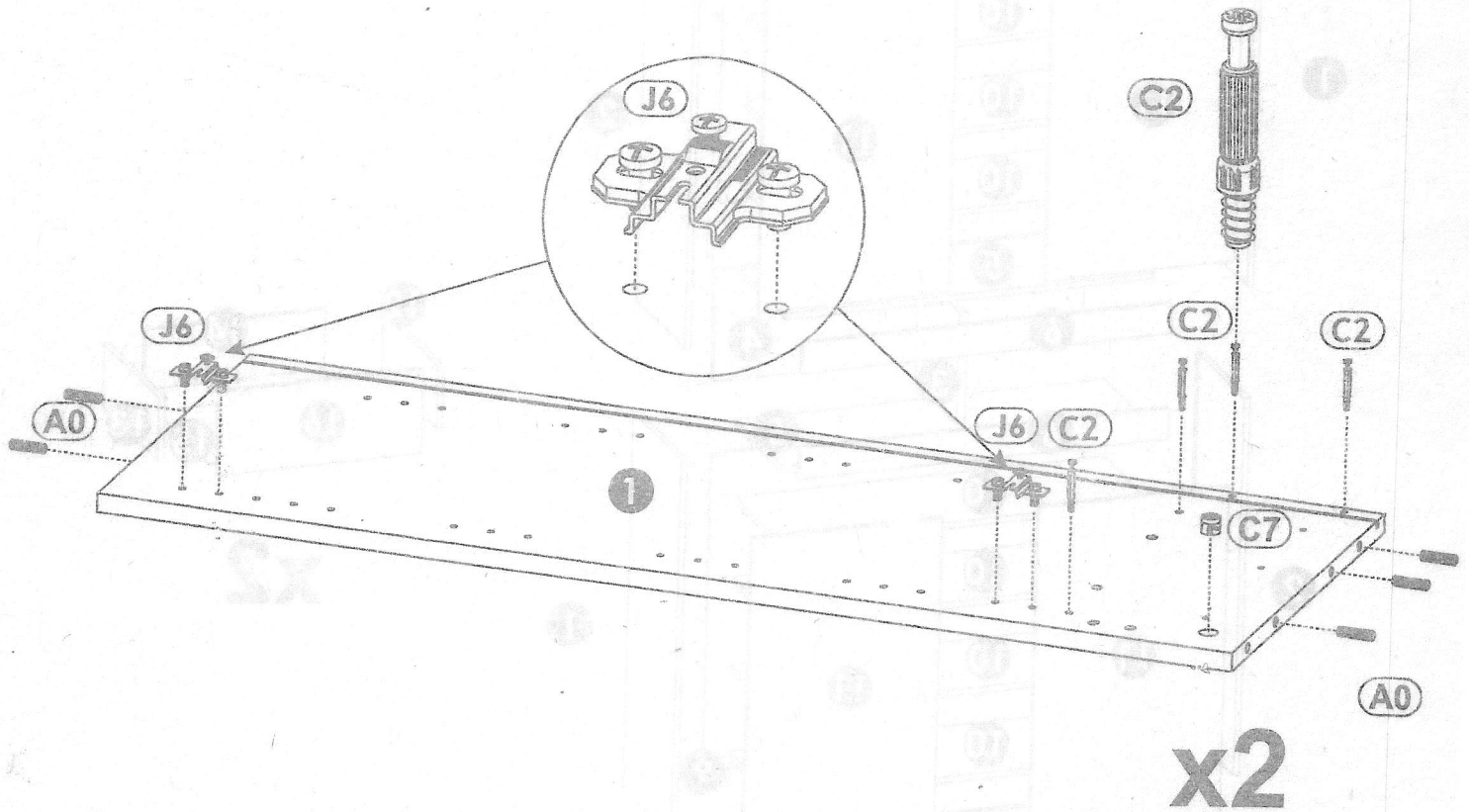
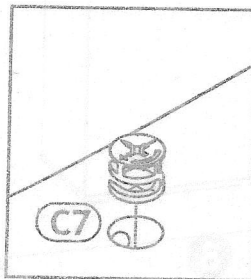
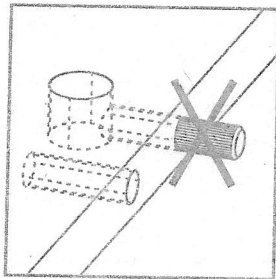
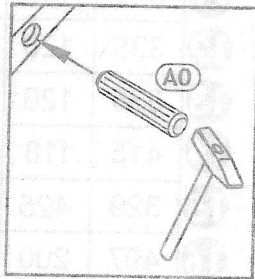
1	976	352	16	x2	2/4
2	976	352	16	x2	2/4
3	292	304	22	x1	2/4
4	966	292	16	x1	3/4
5	966	352	16	x2	3/4
6	966	70	16	x4	3/4
7	1000	370	16	x1	3/4
8	1000	370	16	x1	3/4
9	824	976	2.8	x2	4/4
10	966	332	16	x8	1/4
11	843	497	16	x4	4/4
12	335	120	16	x2	4/4
13	335	120	16	x2	4/4
14	415	118	16	x2	4/4
15	329	425	2.8	x2	4/4
16	497	200	16	x2	4/4
					4/4



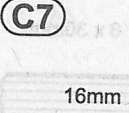
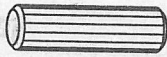
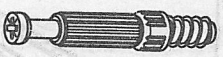

x2

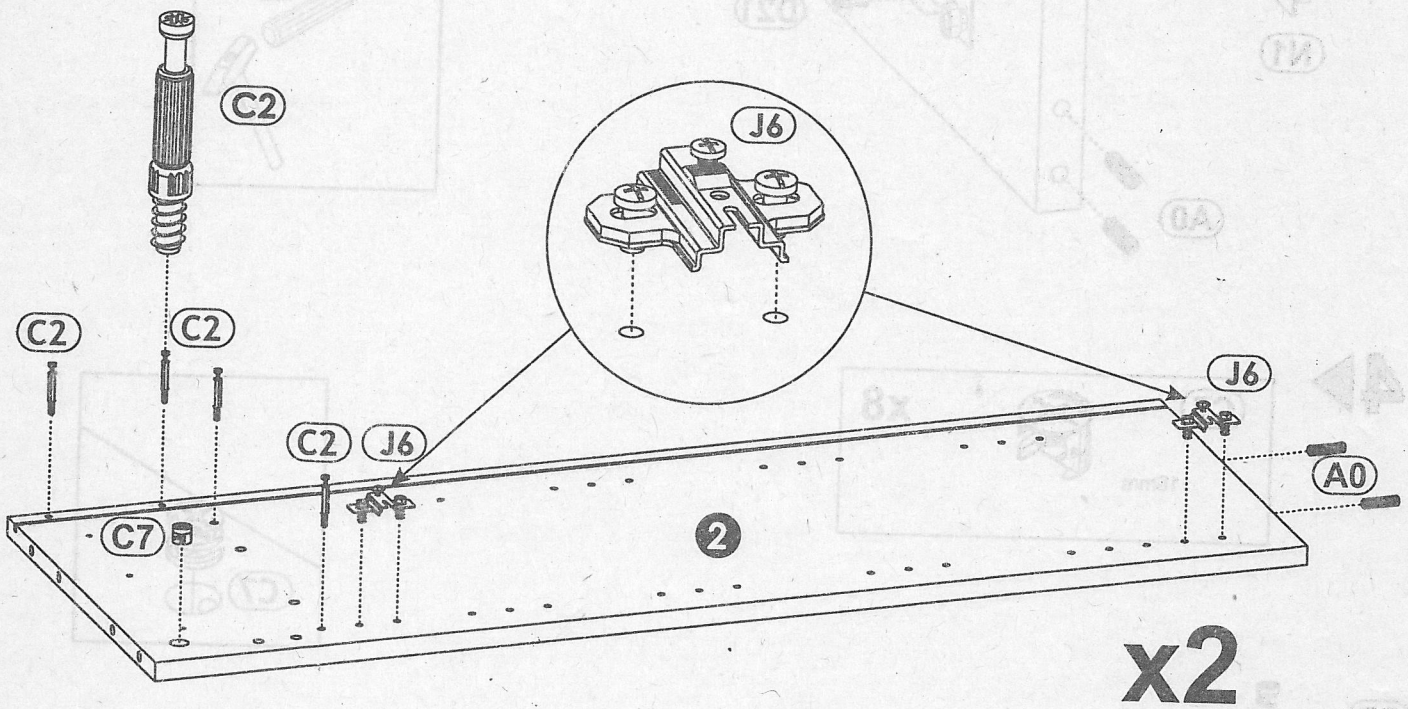
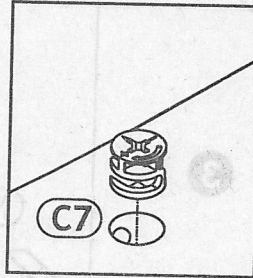
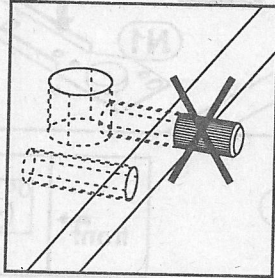
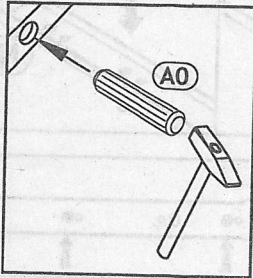


<p>C7</p>  <p>16mm</p> <p>x2</p>	<p>A0</p> <p>8 x 30mm</p>  <p>x10</p>	<p>C2</p>  <p>x8</p>
<p>J6</p>  <p>x4</p>		

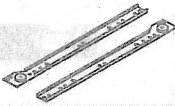

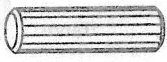


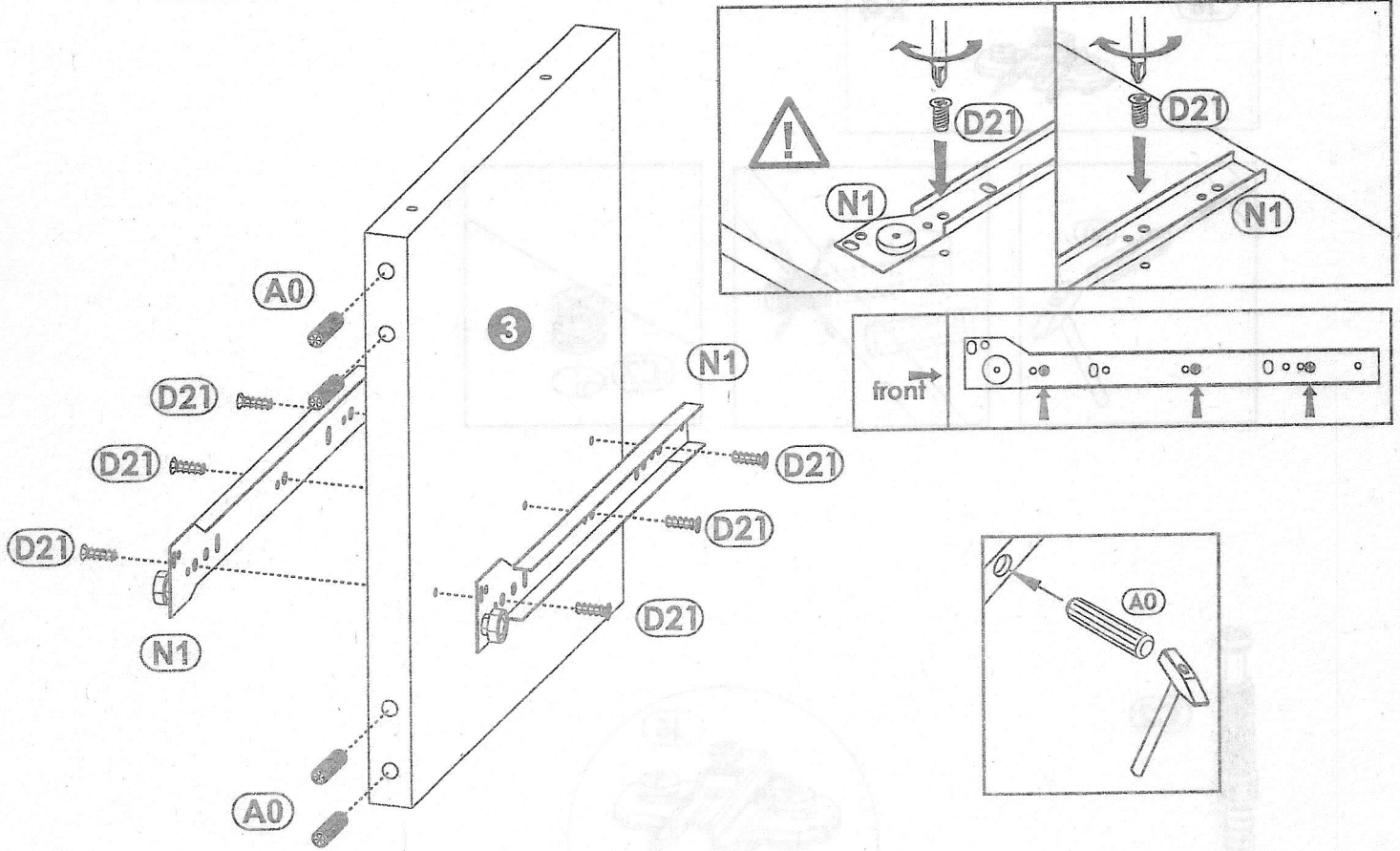
2 ▶

(C7) 16mm 	x2	(A0) 8 x 30mm 	x4	(C2) 	x8
(J6) 	x4				




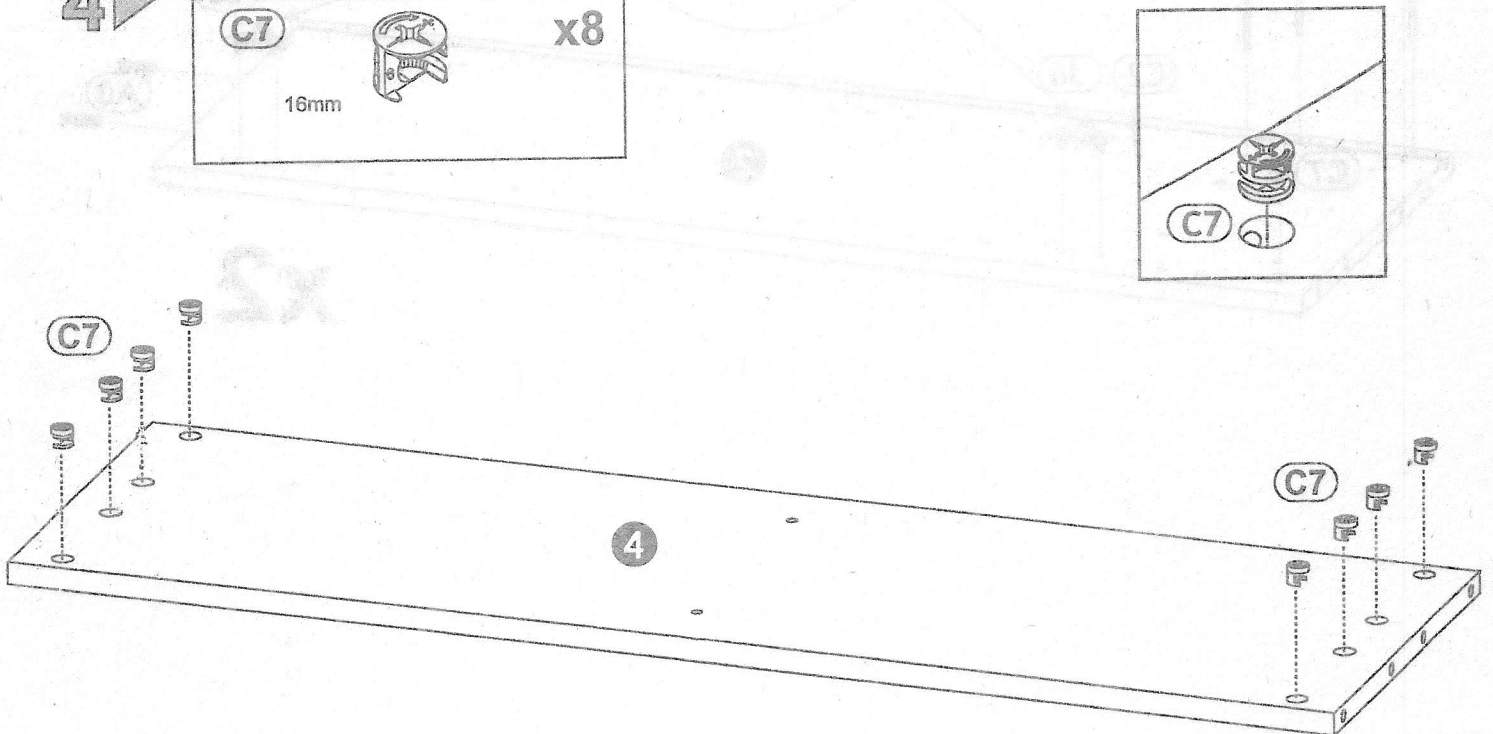
3 ▶

(N1) L-300 	x1	(D21) 5 x 13 mm 	x6	(A0) 8 x 30mm 	x4
---	-----------	--	-----------	--	-----------

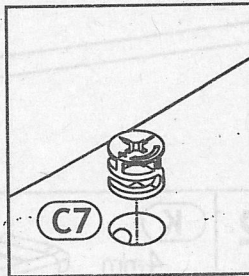
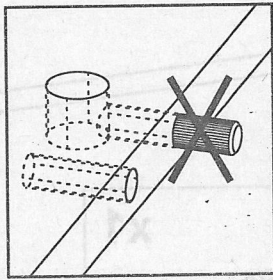
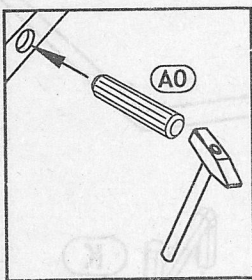
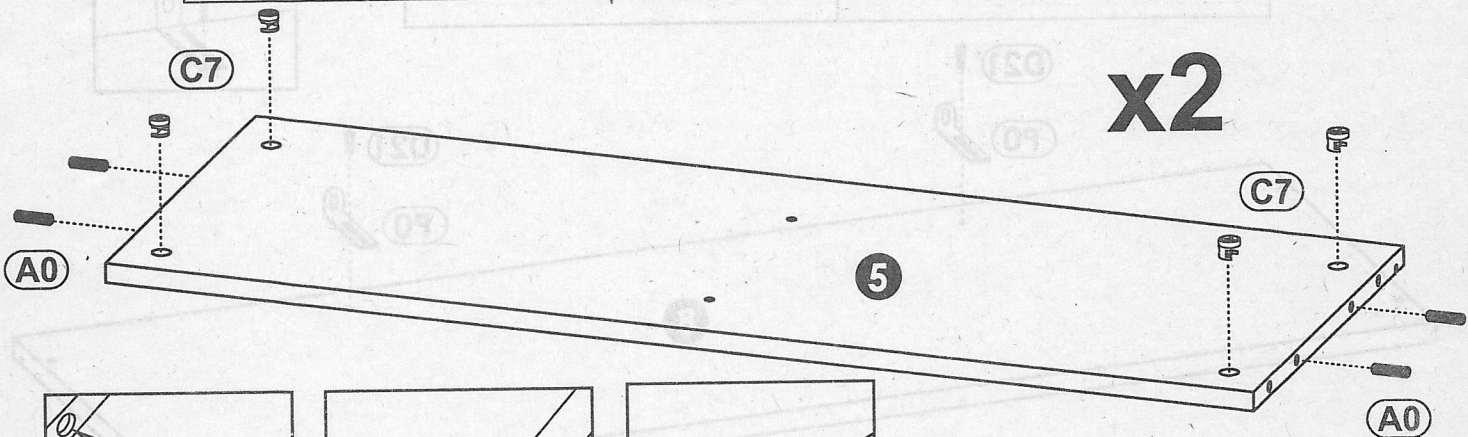
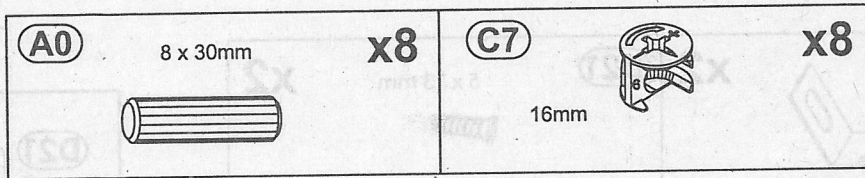


4 ▶

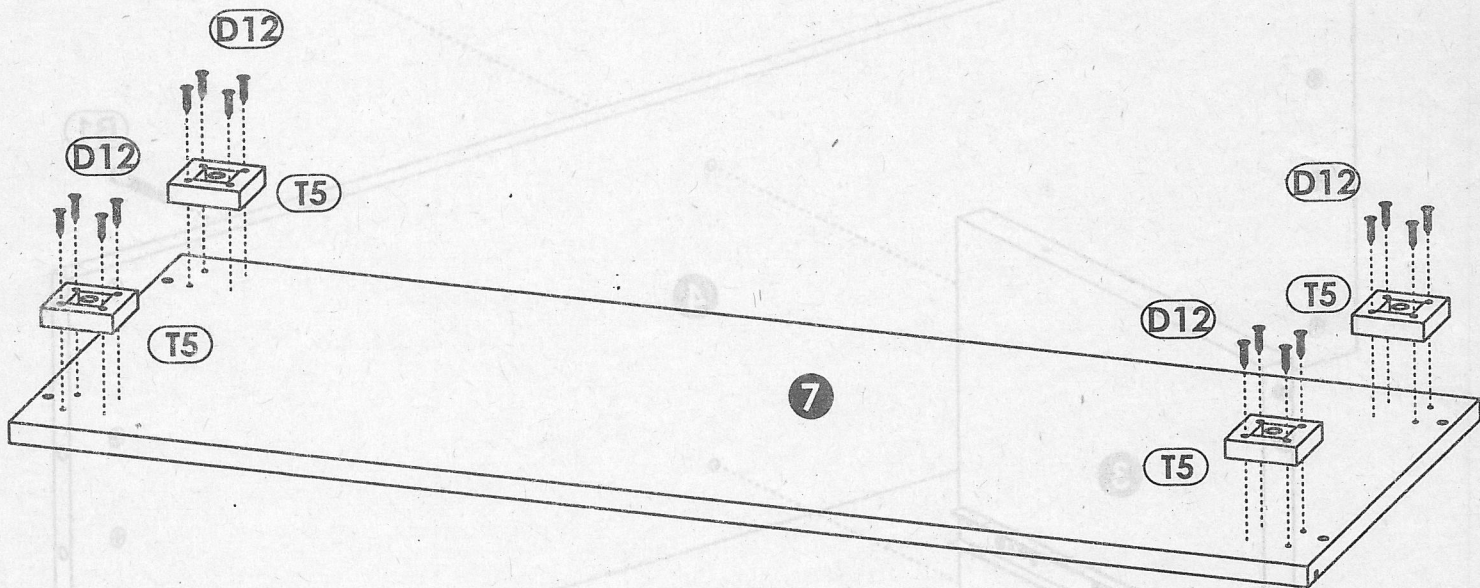
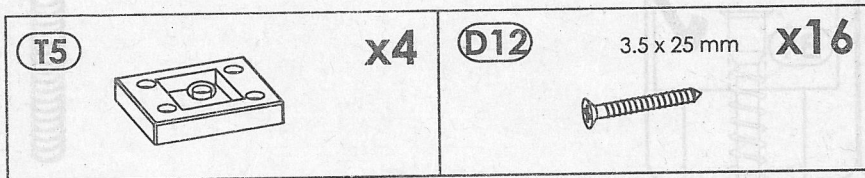
(C7) 16mm 	x8
--	-----------



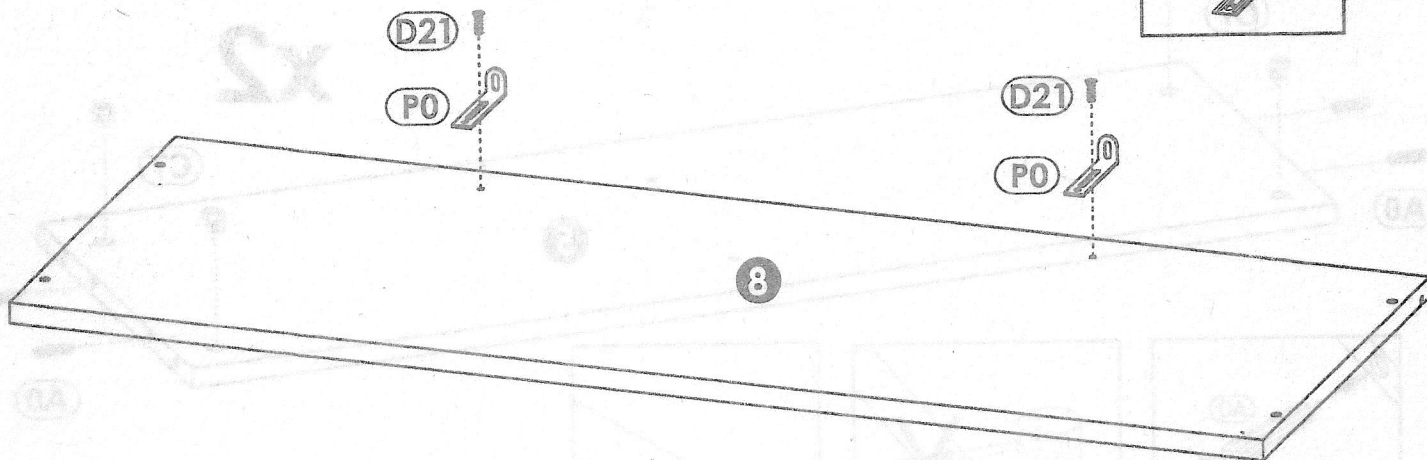
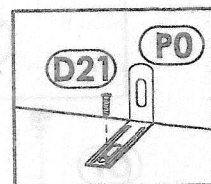
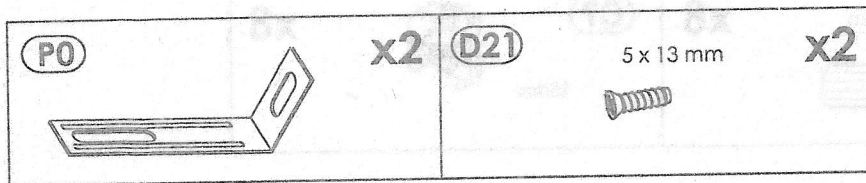
5 ▶



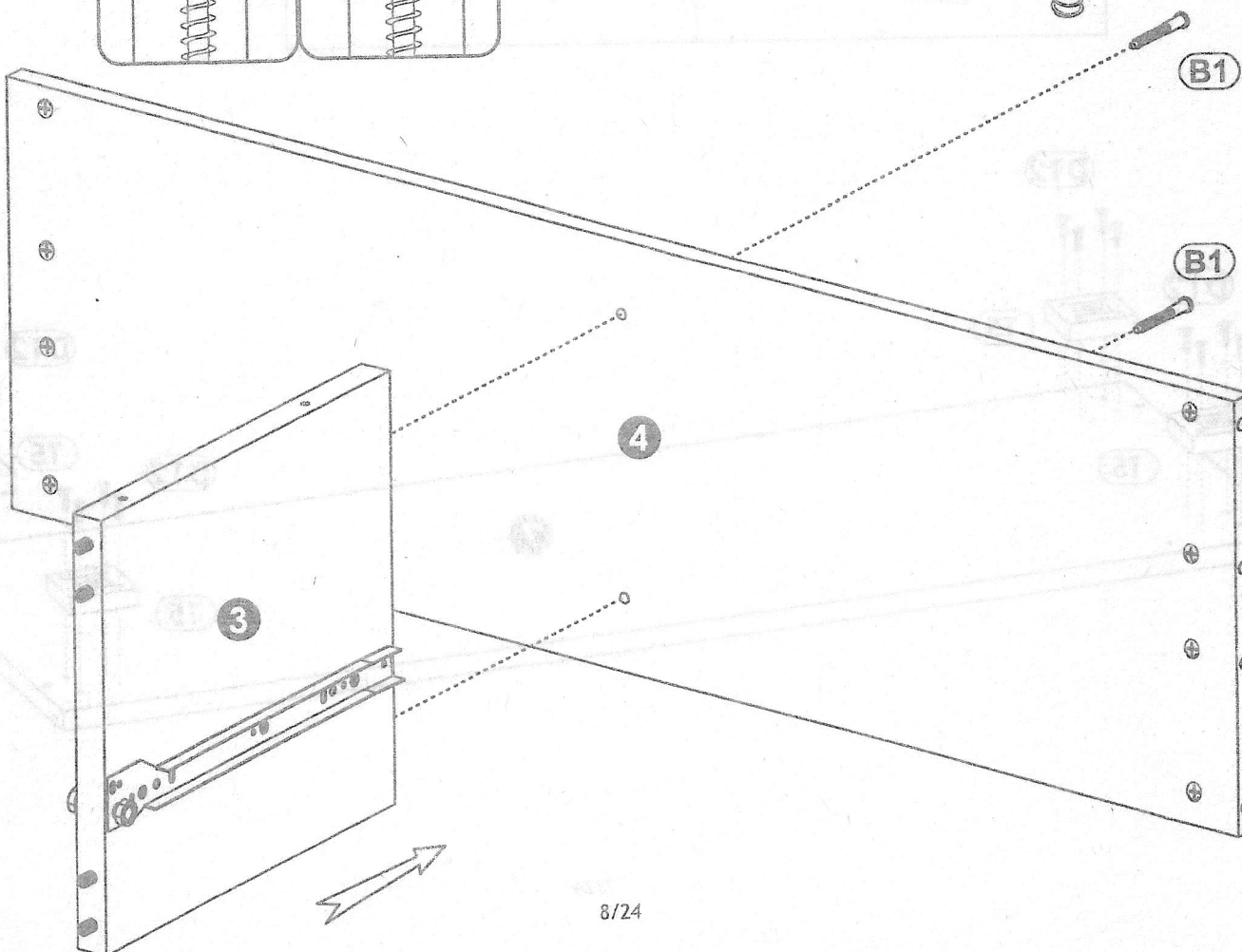
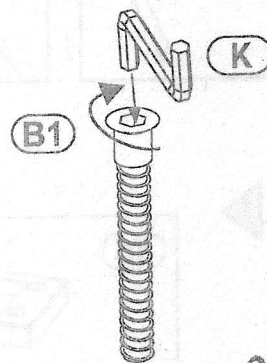
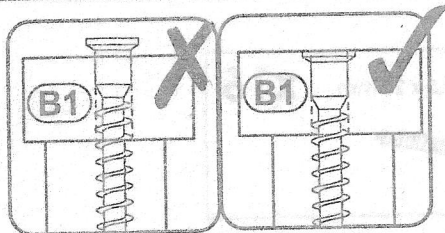
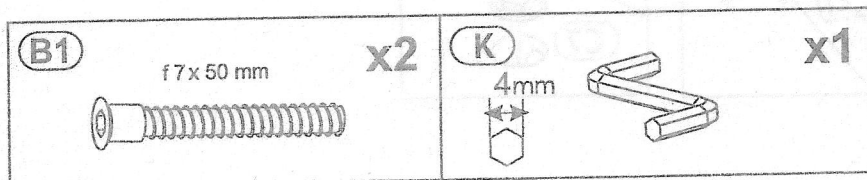
6 ▶




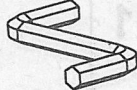
7



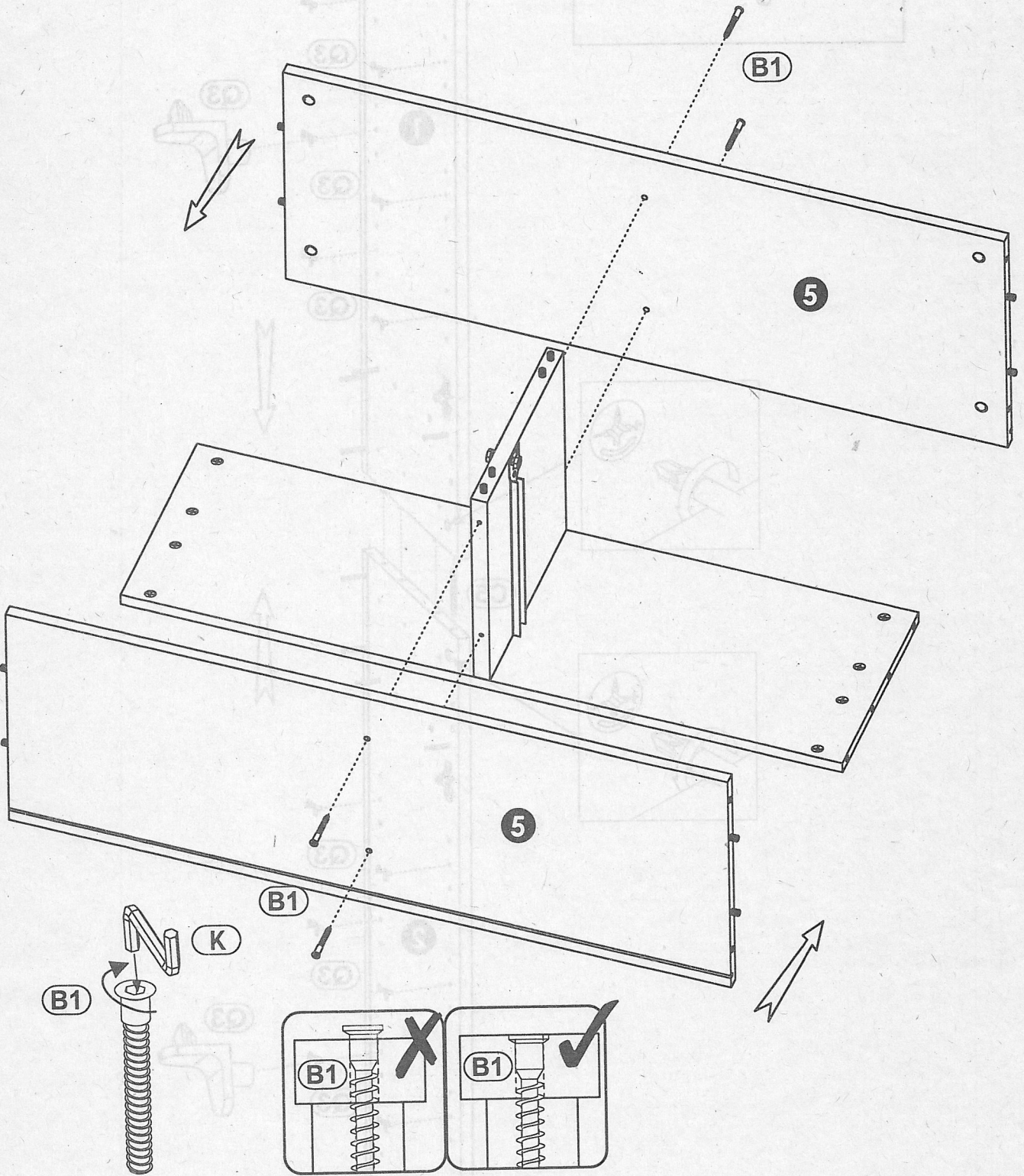
8



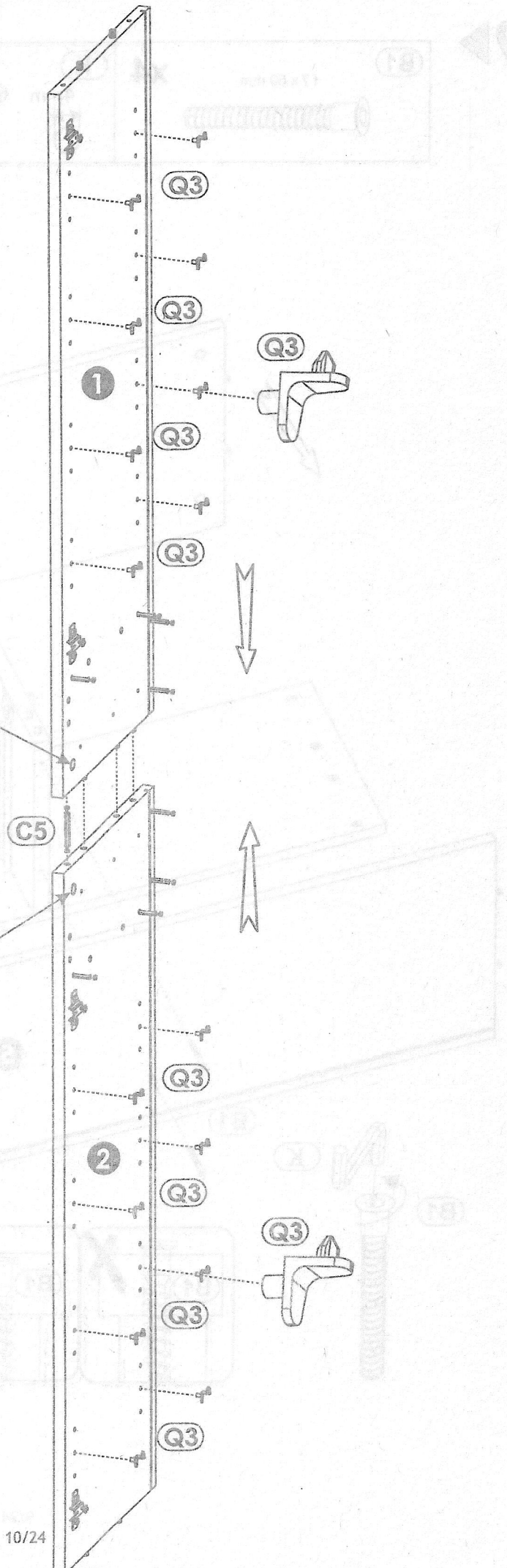
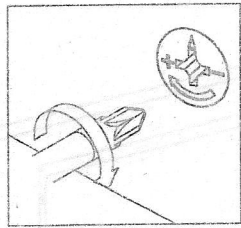
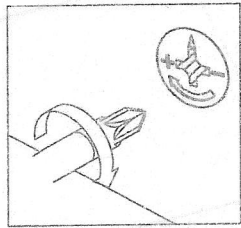
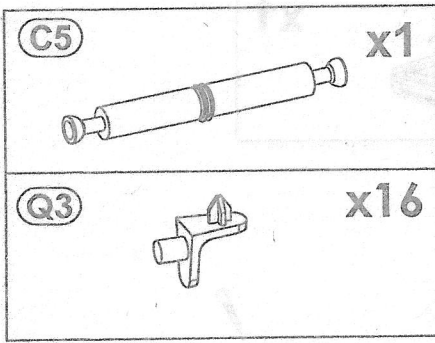
9 ▶

(B1) f 7 x 50 mm 	x4	(K) 4mm 	x1
---	-----------	--	-----------

◀ 10

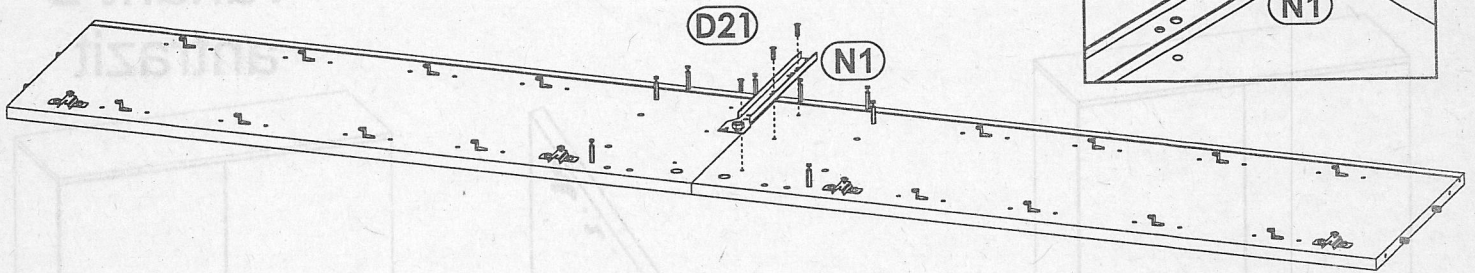
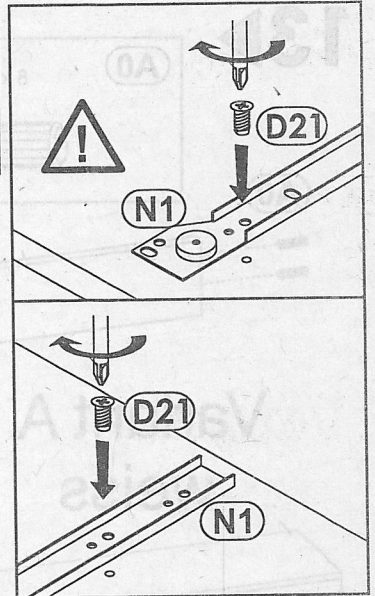
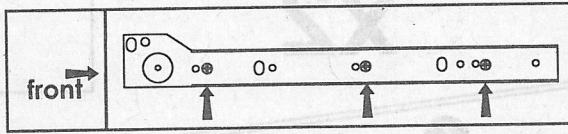


10▶

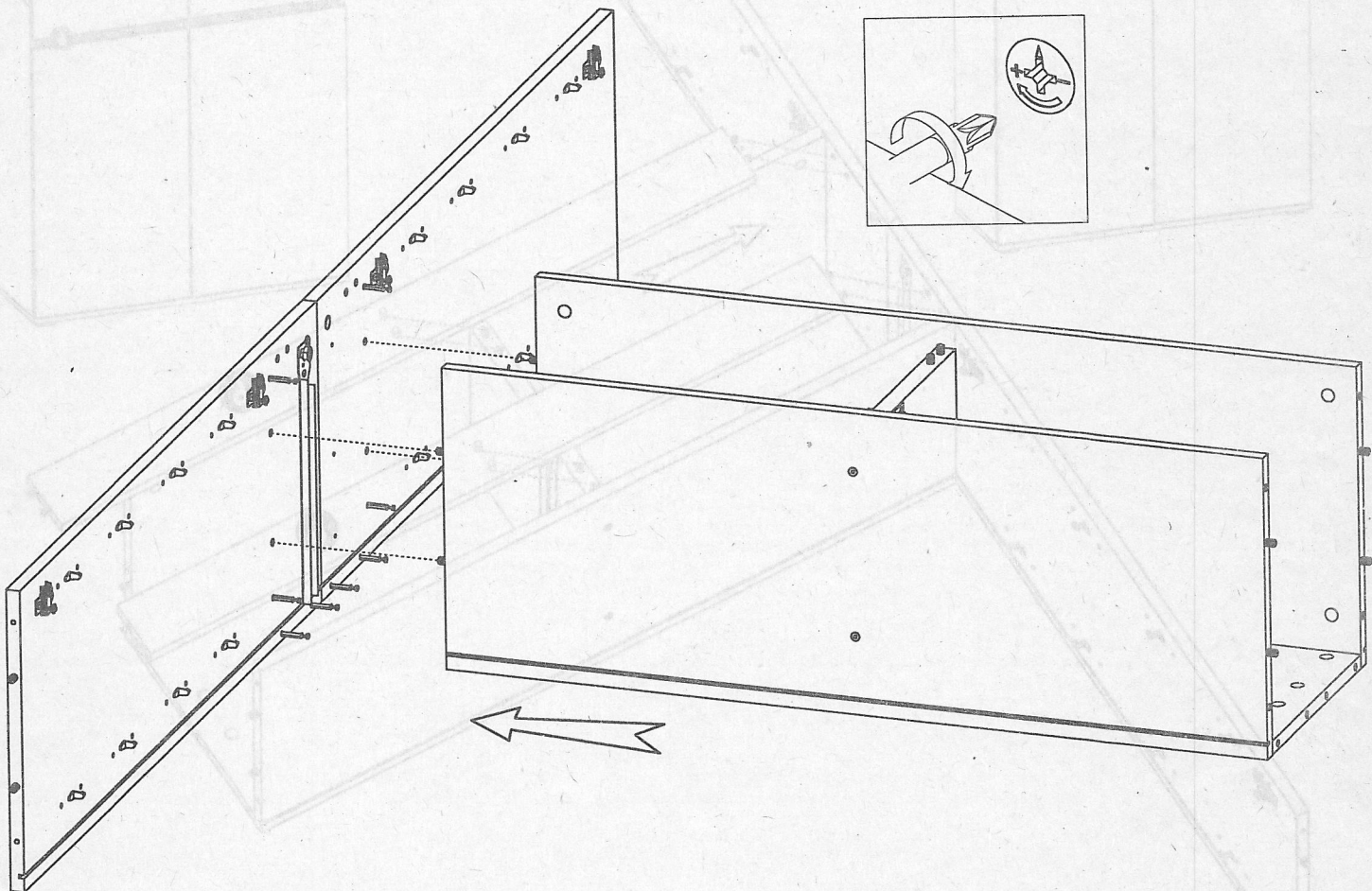
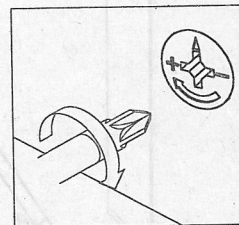


11 ▶

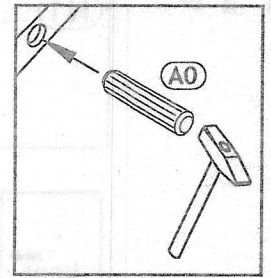
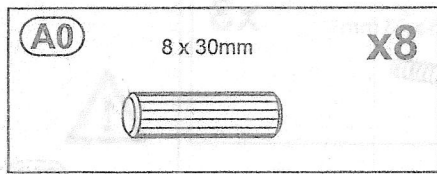
(N1)	L-300	x1	(D21)	5 x 13 mm	x3
-------------	-------	-----------	--------------	-----------	-----------



12 ▶

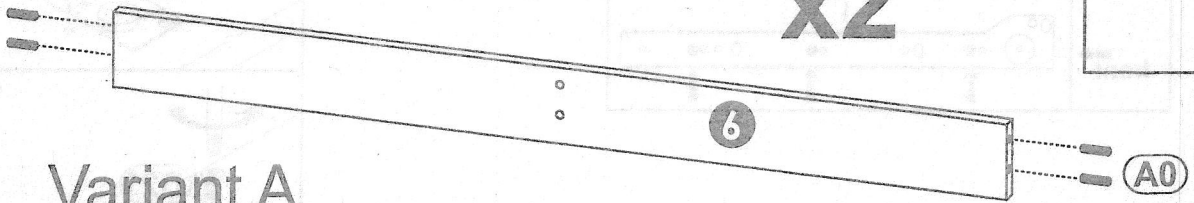


13 ▶



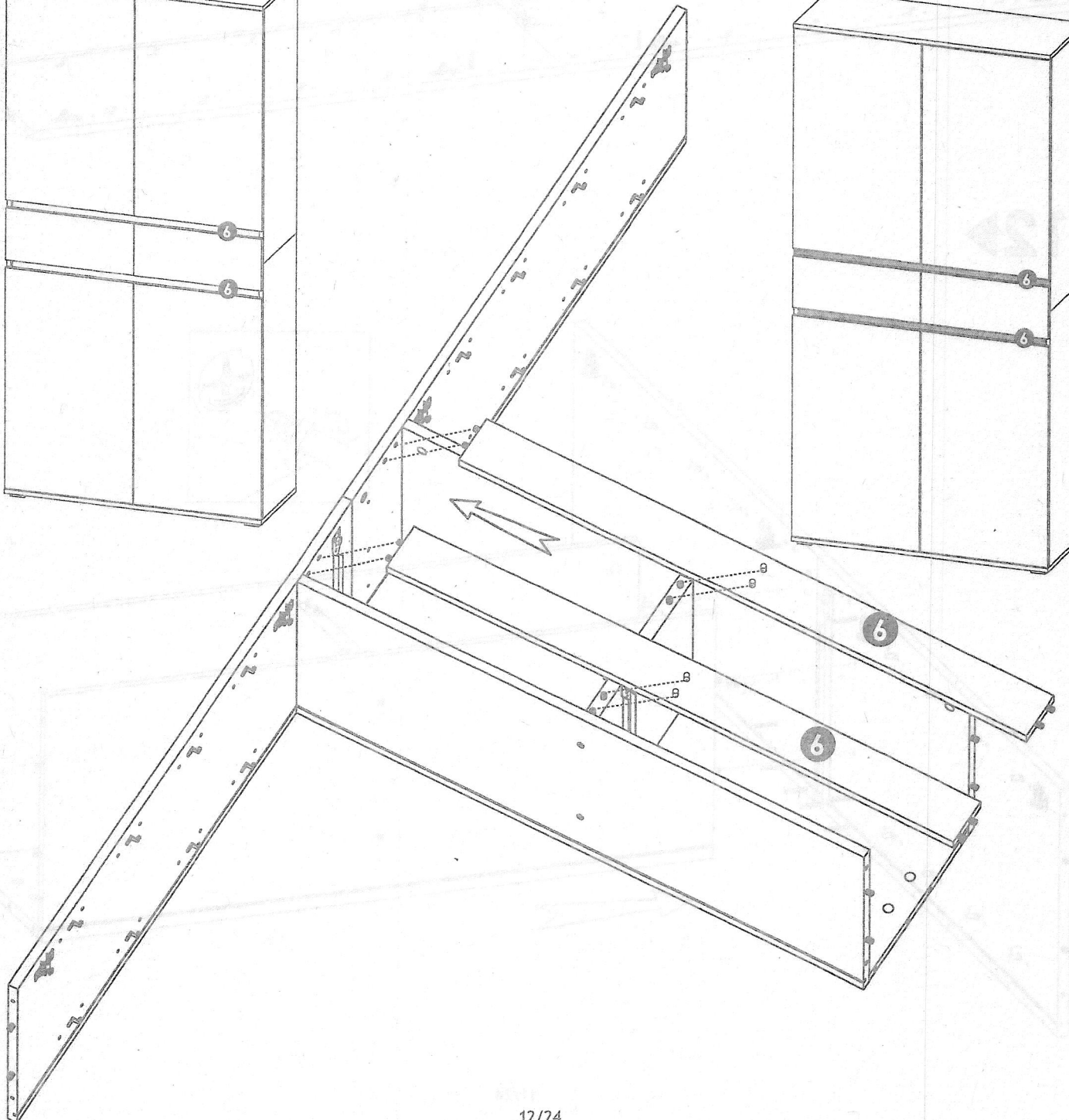
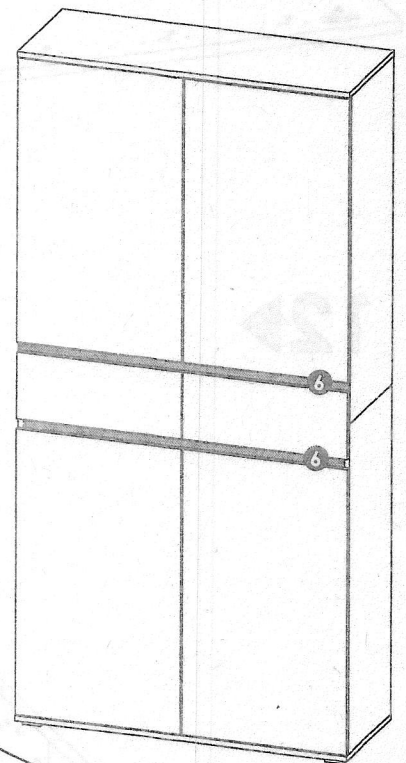
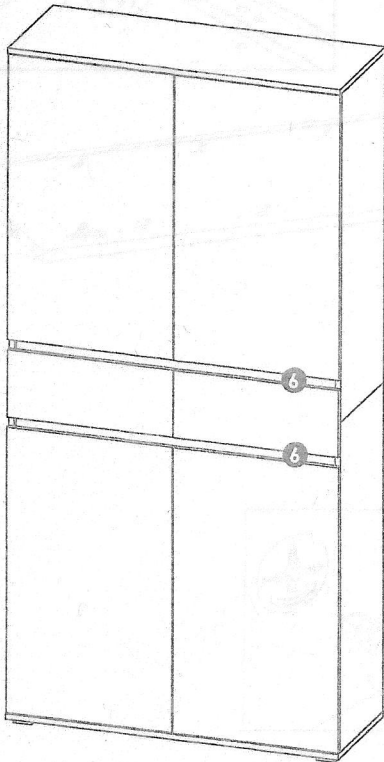
A0

x2

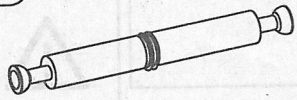



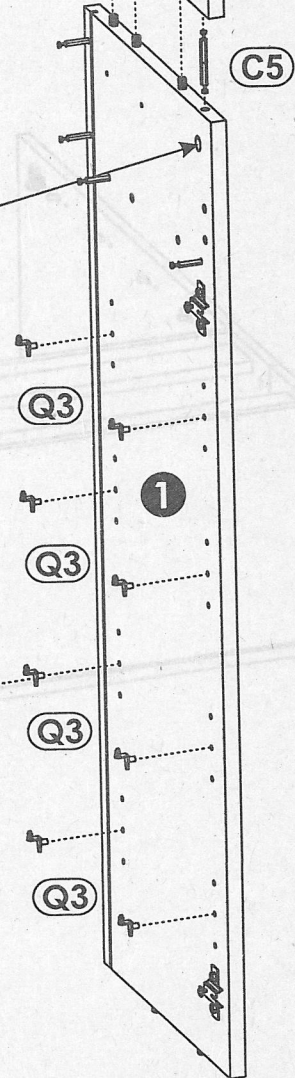
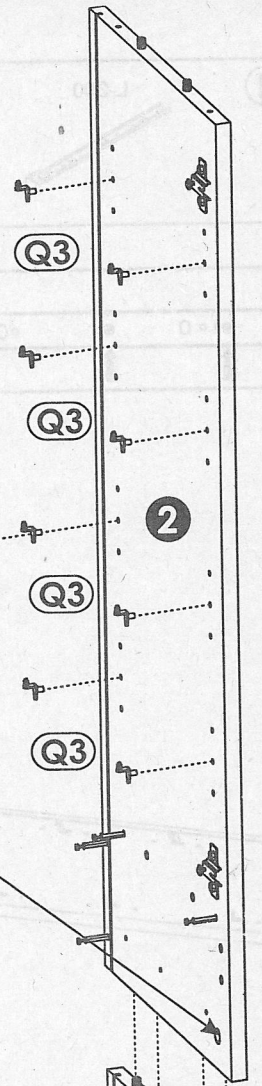
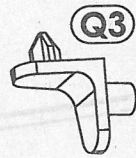
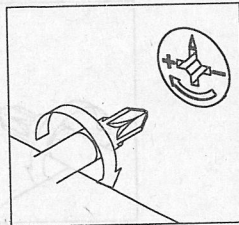
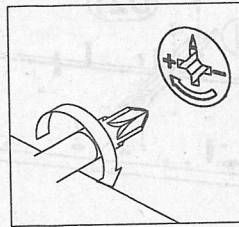
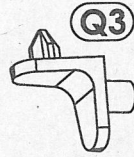
Variant A
weiss

Variant B
antrazit

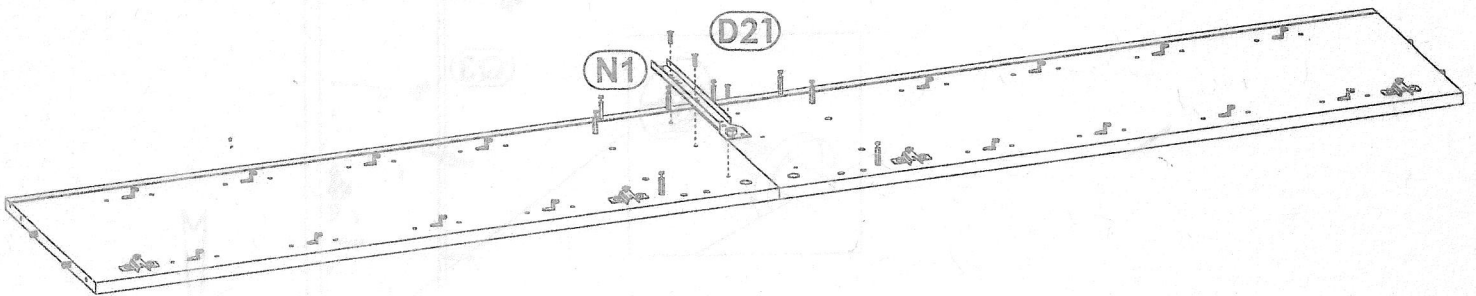
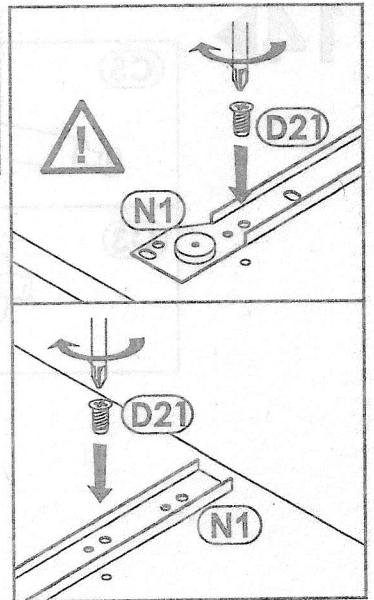
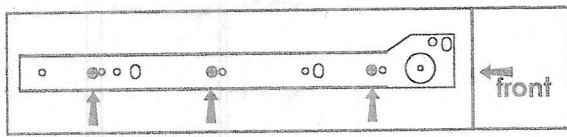
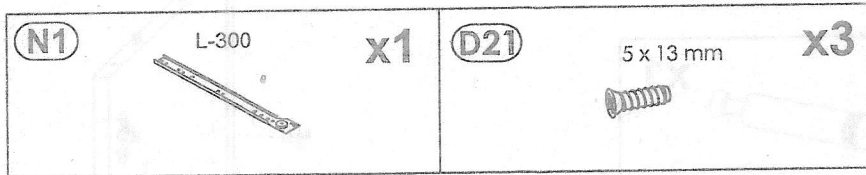


14

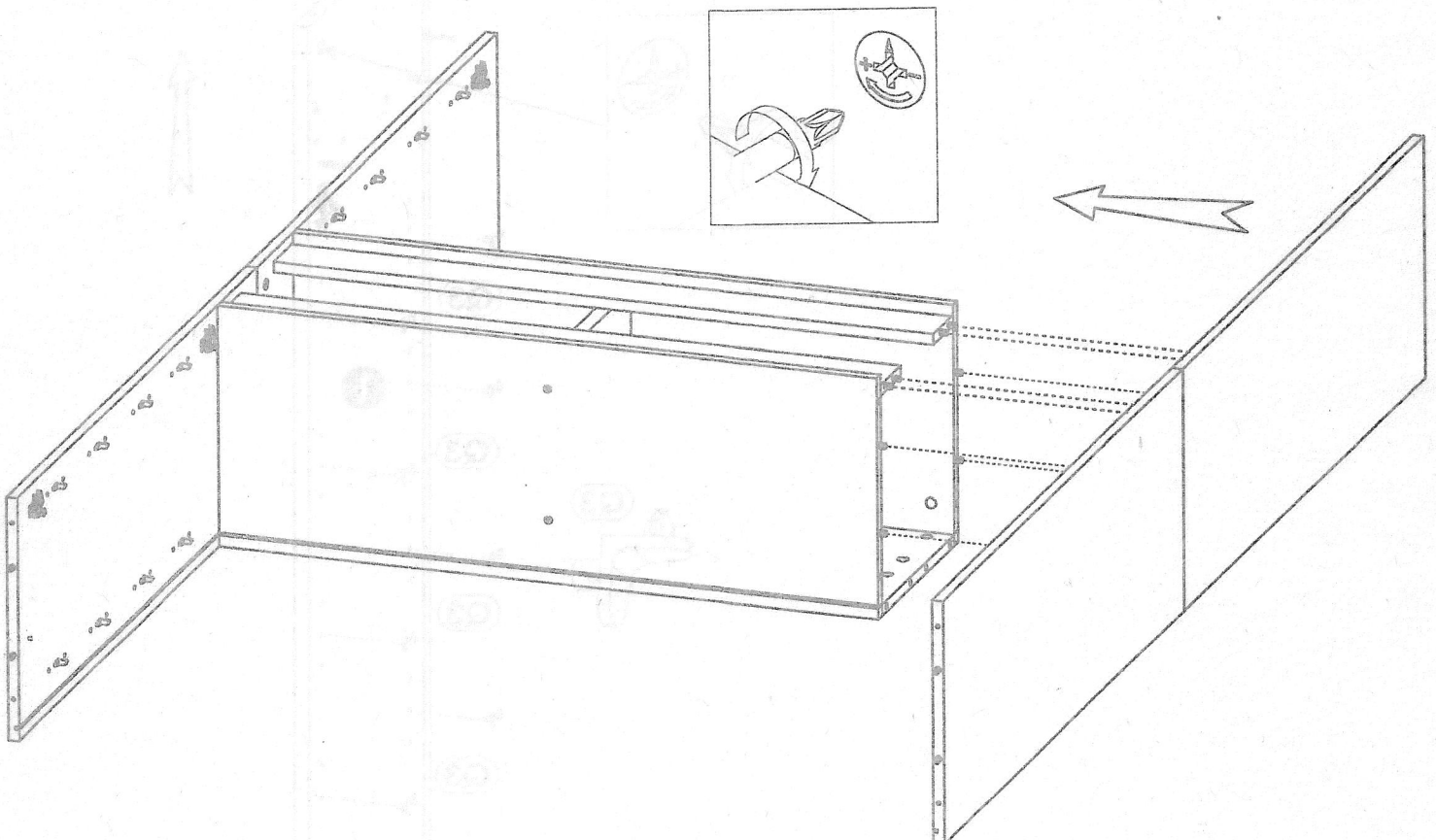
	C5	x1
	Q3	x16




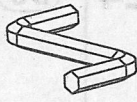
15▶

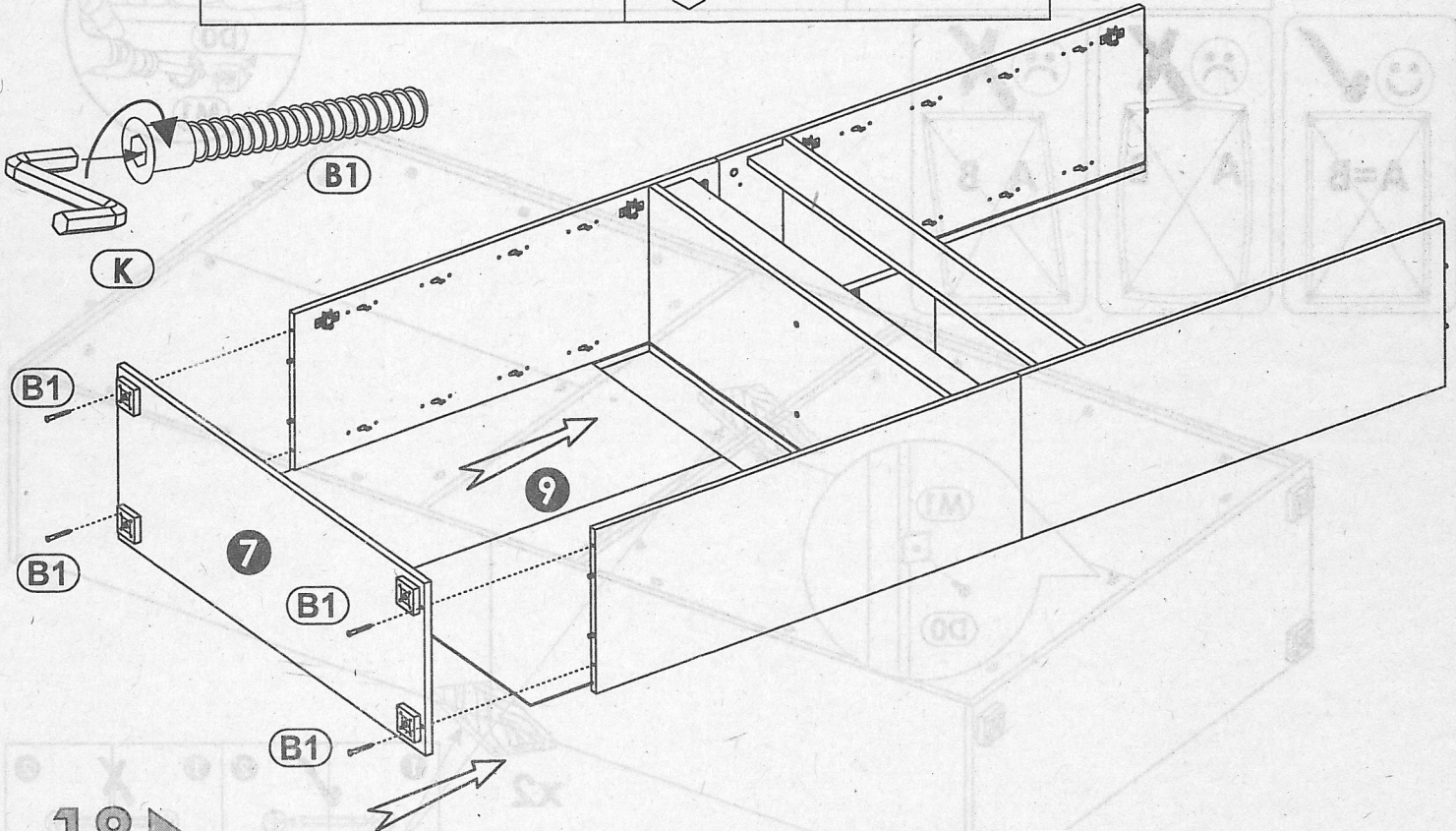


16▶

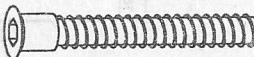
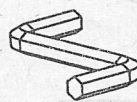


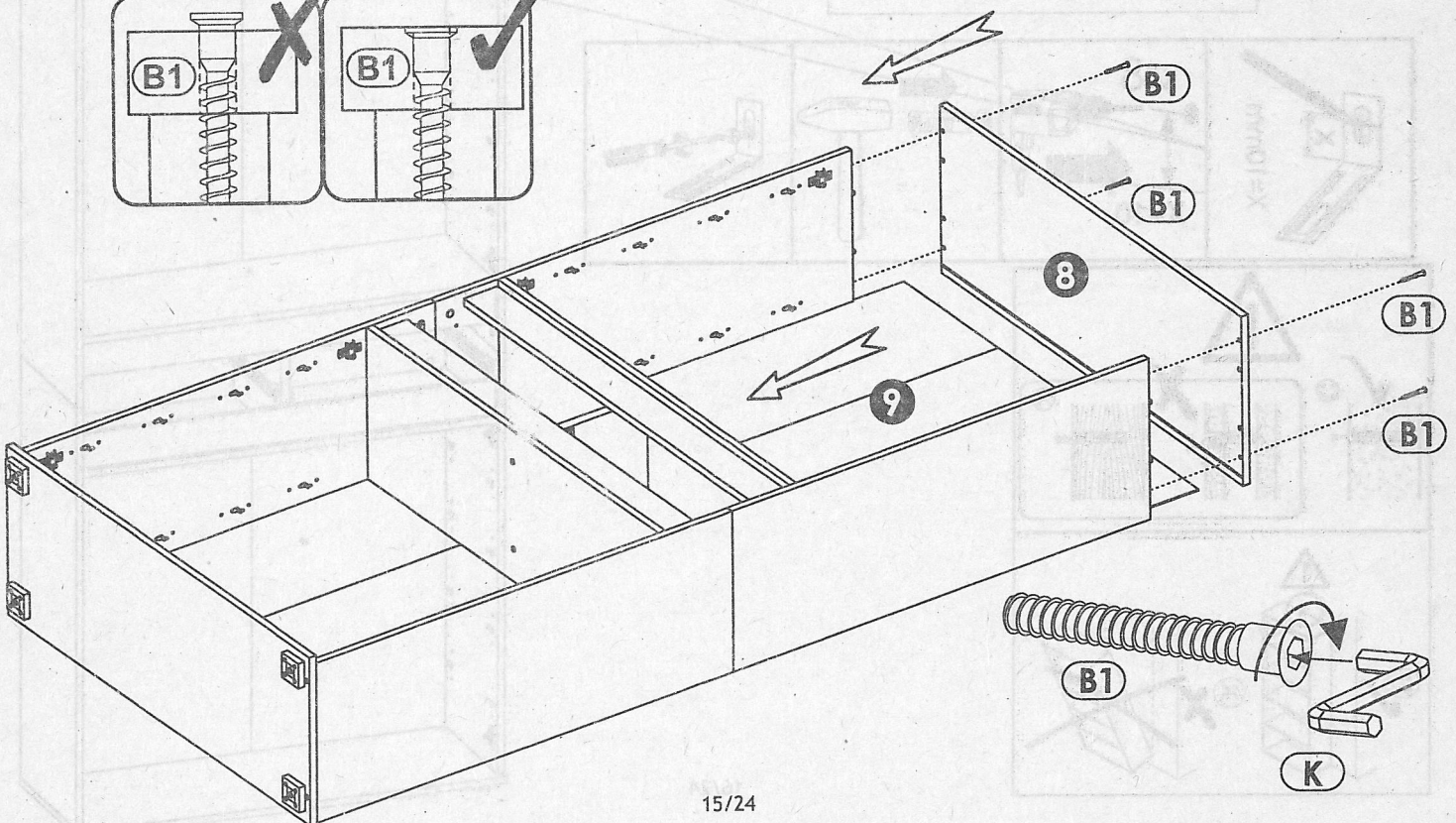
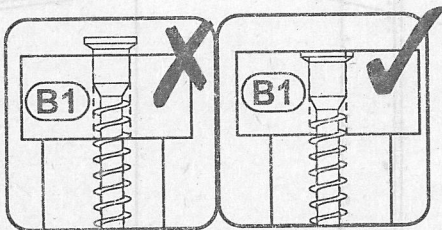
17 ▶

(B1) f 7 x 50 mm 	x4	(K) 4mm 	x1
---	-----------	--	-----------





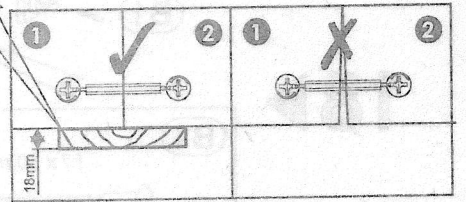
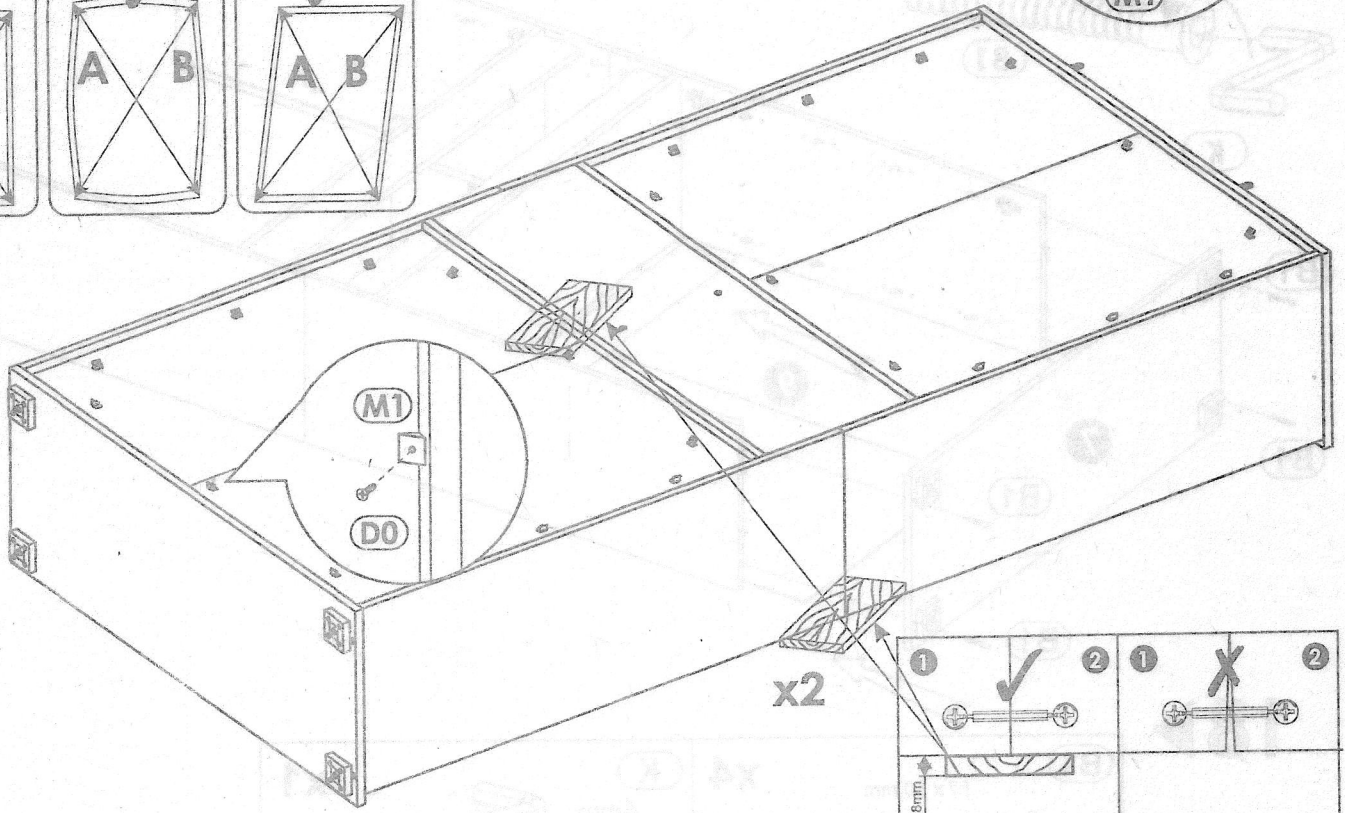
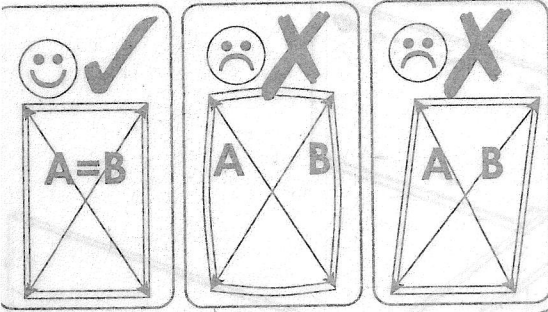
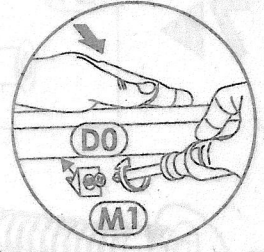
18 ▶

(B1) f 7 x 50 mm 	x4	(K) 4mm 	x1
---	-----------	---	-----------

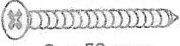



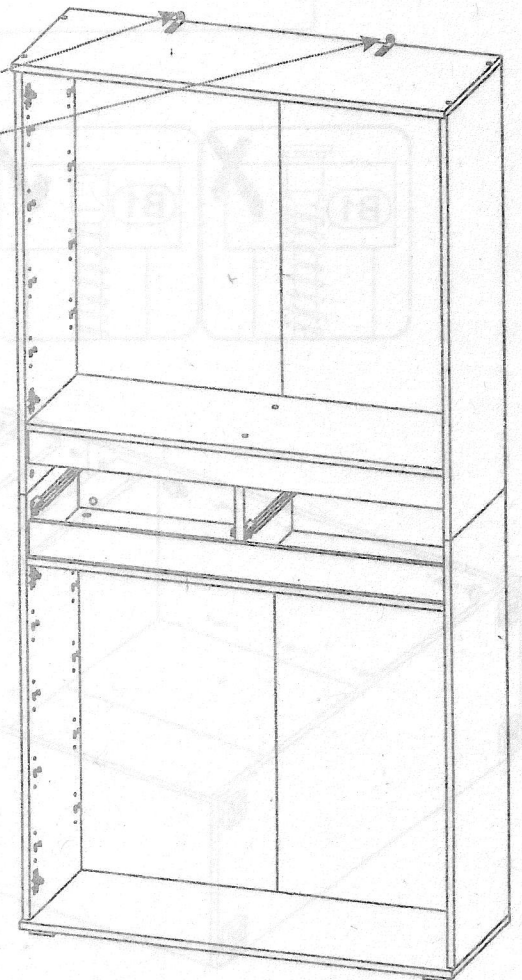
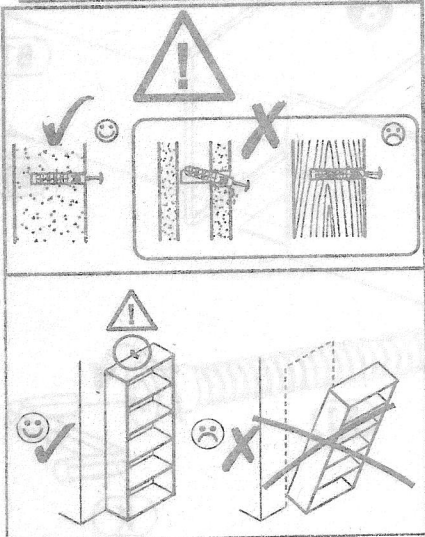
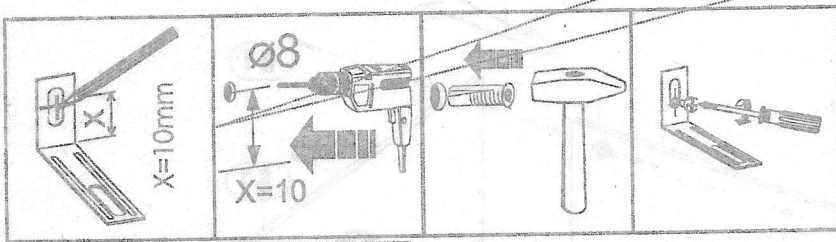
19 ▶

(M1)		x24	(D0)		3 x 15 mm	x24
------	---	-----	------	---	-----------	-----

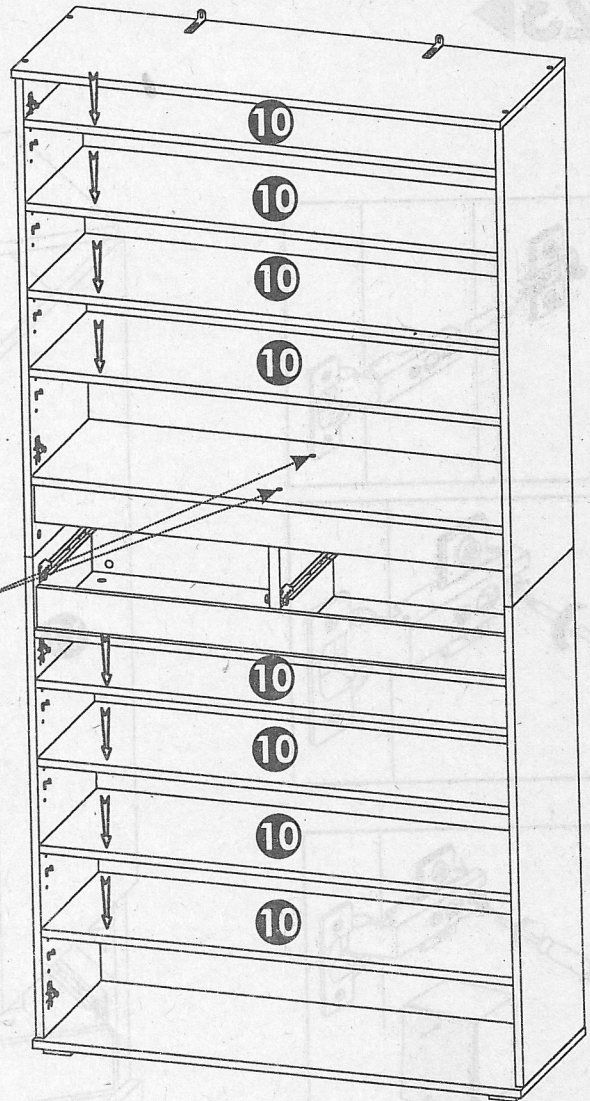
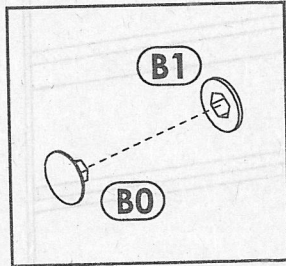
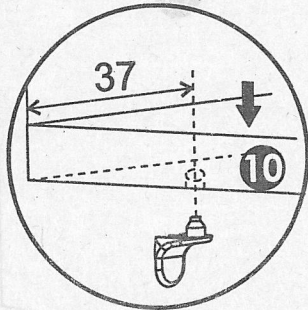
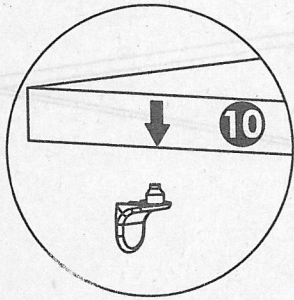
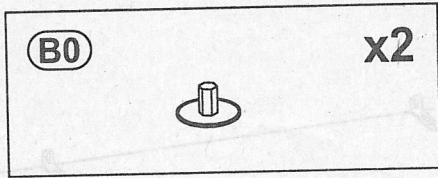


20 ▶

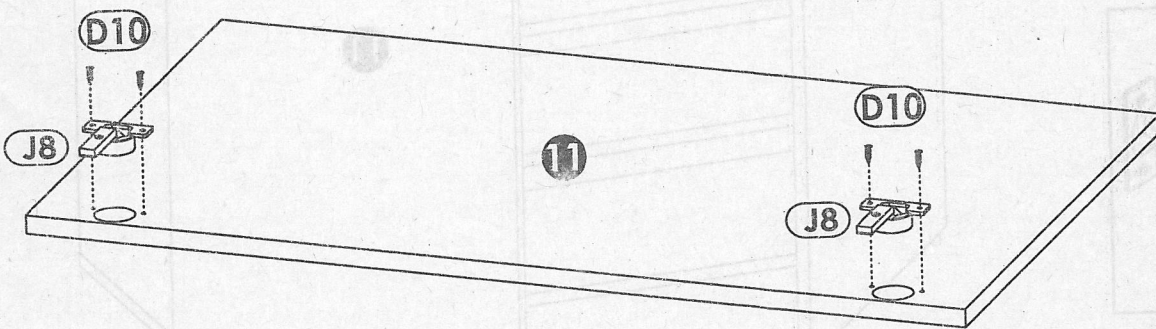
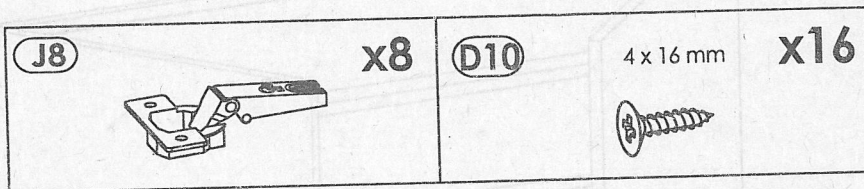
(E0)		5 x 50 mm	x2
		8 x 50 mm	



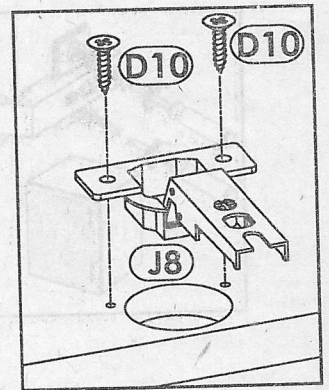
21 ▶

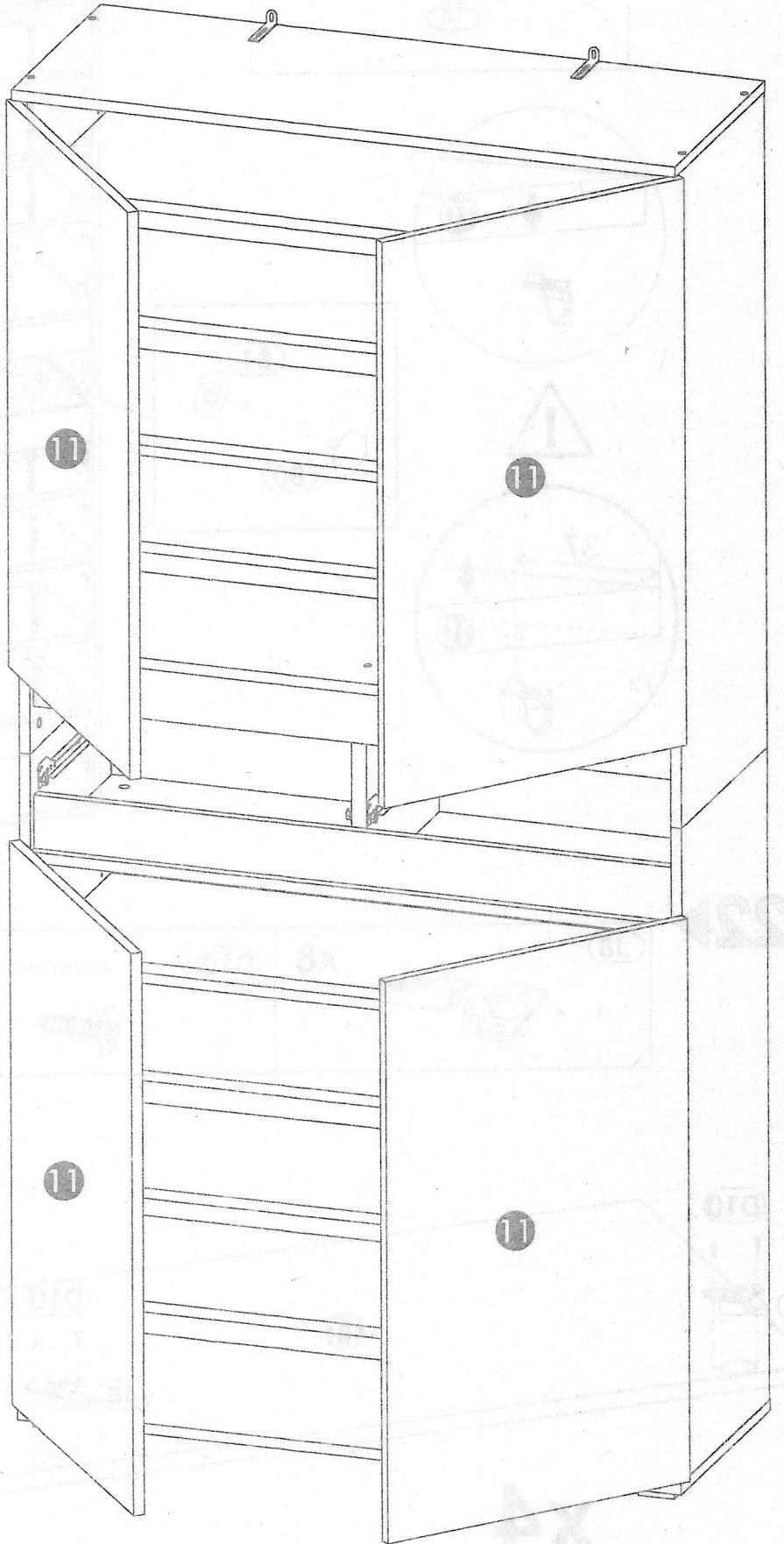
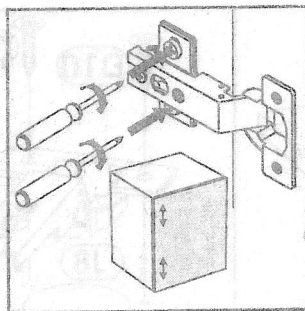
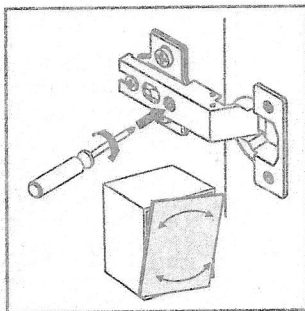
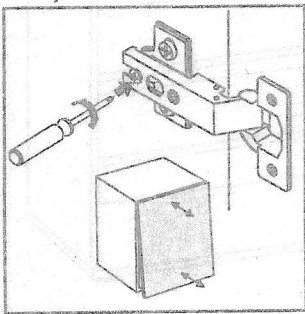
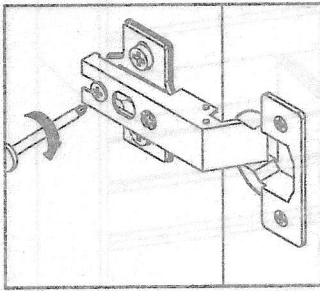
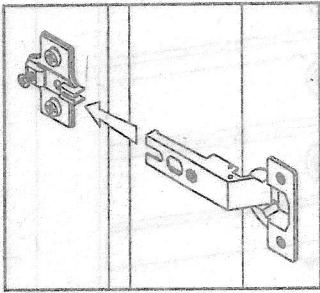


22 ▶

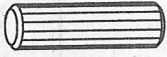



x4

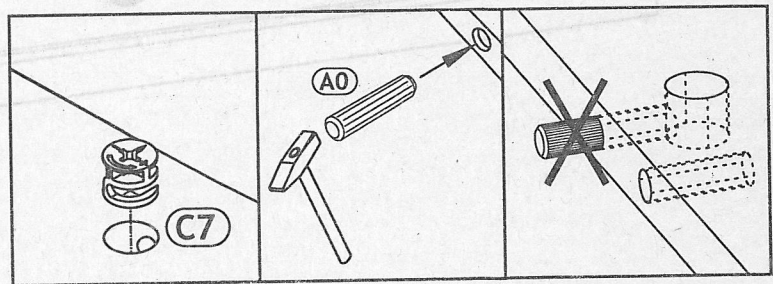
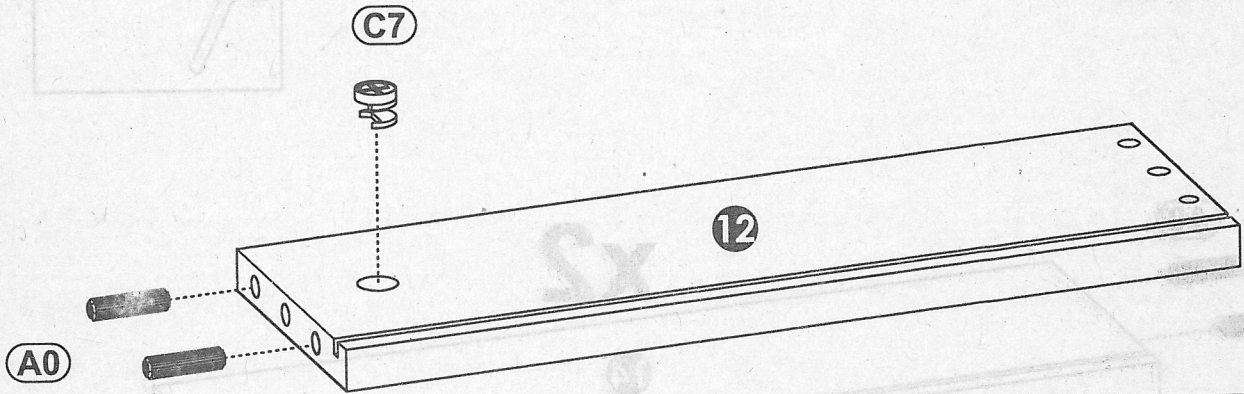




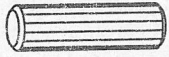

24▶

(A0) 8 x 30mm 	x4	(C7) 16mm 	x2
--	-----------	--	-----------

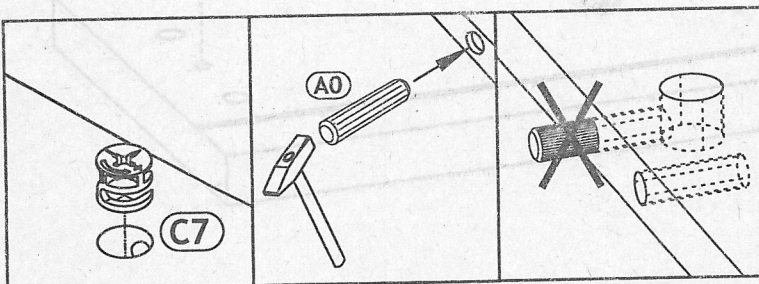
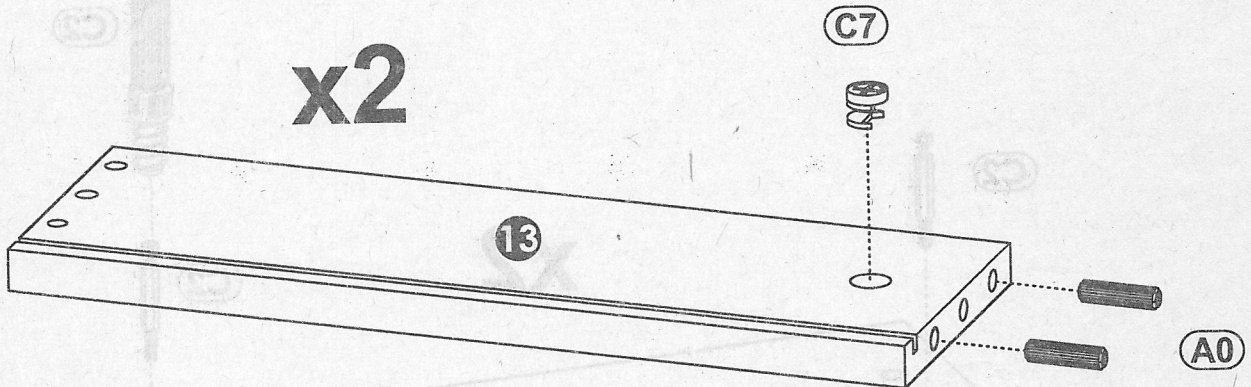
x2



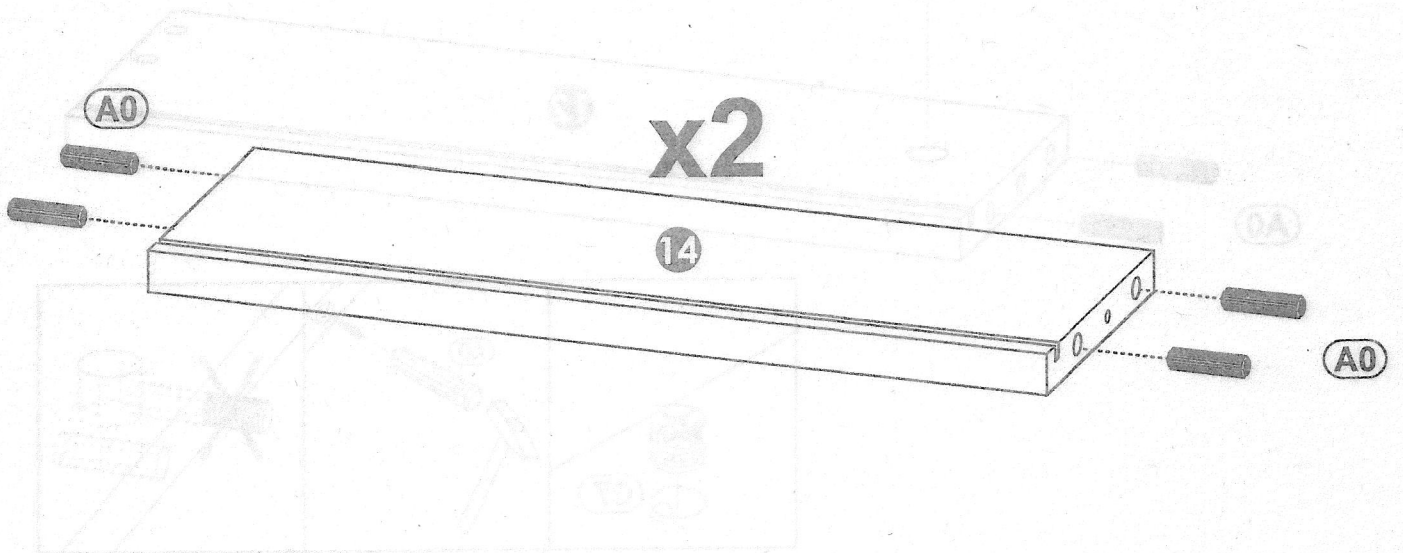
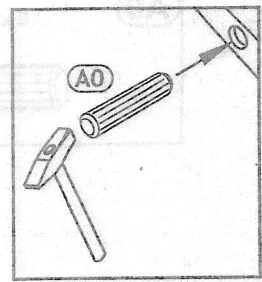
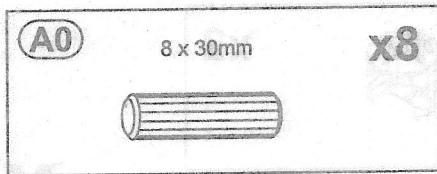
25▶

(A0) 8 x 30mm 	x4	(C7) 16mm 	x2
--	-----------	--	-----------

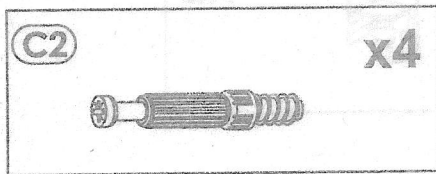
x2



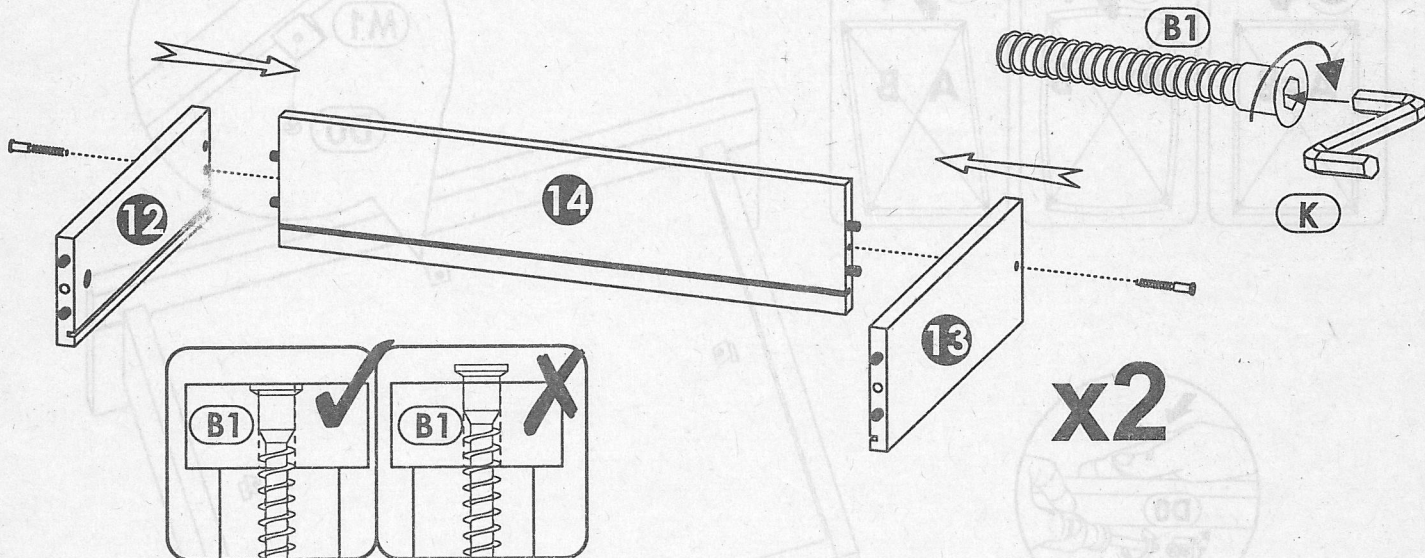
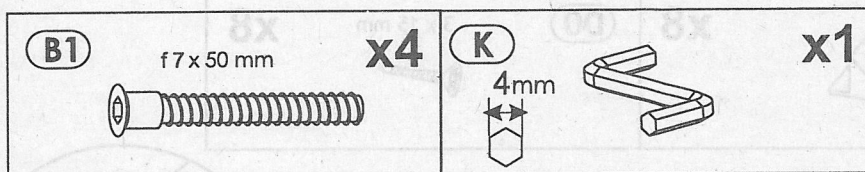
26 ▶



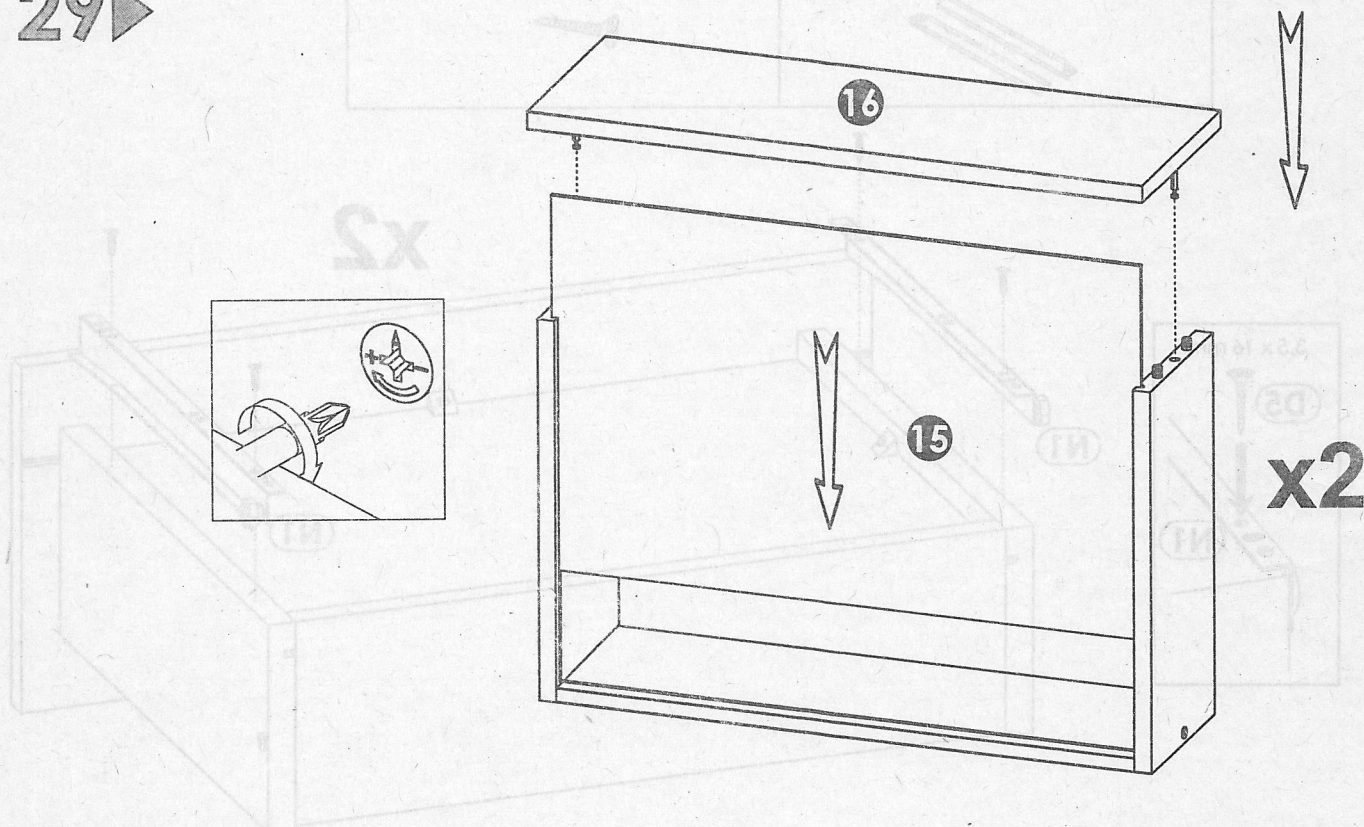
27 ▶



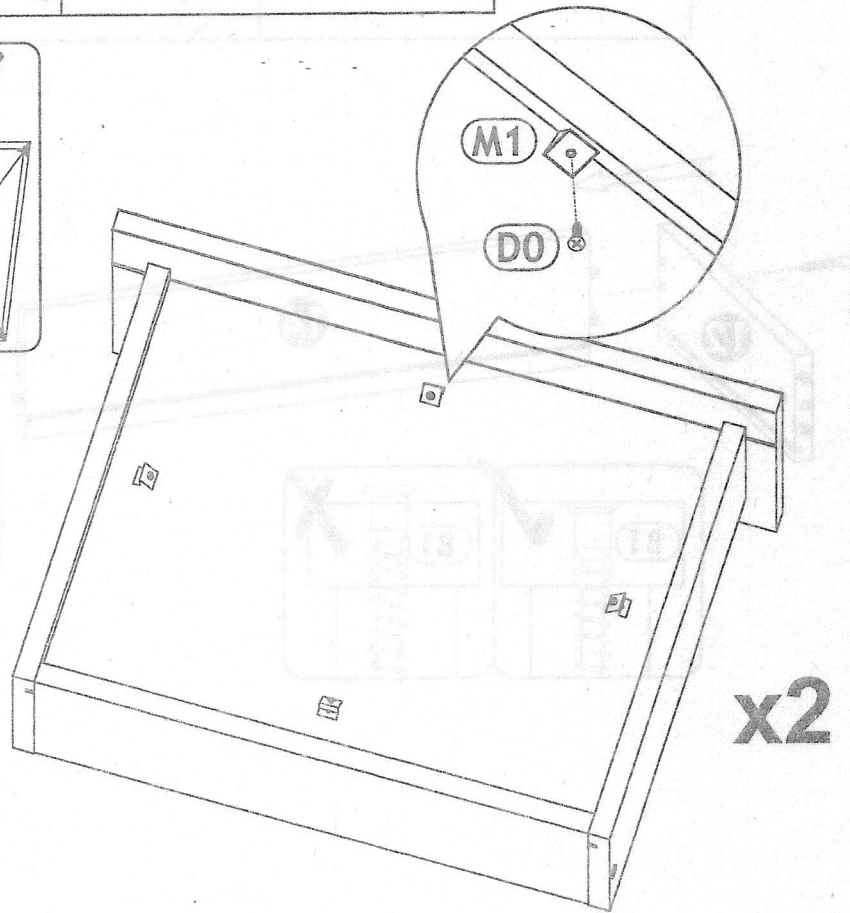
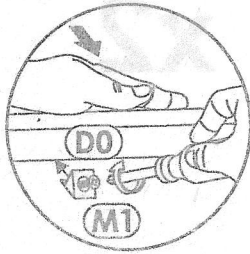
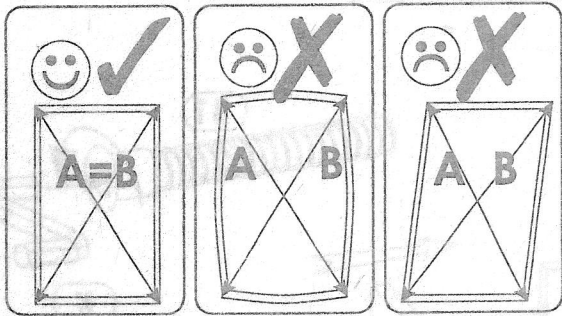
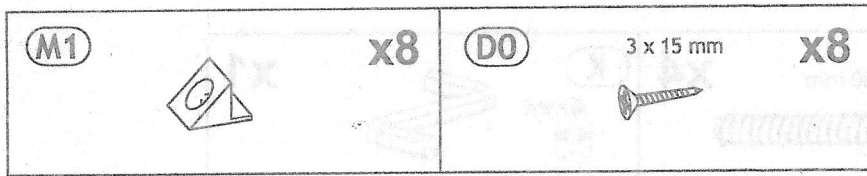
28 ▶



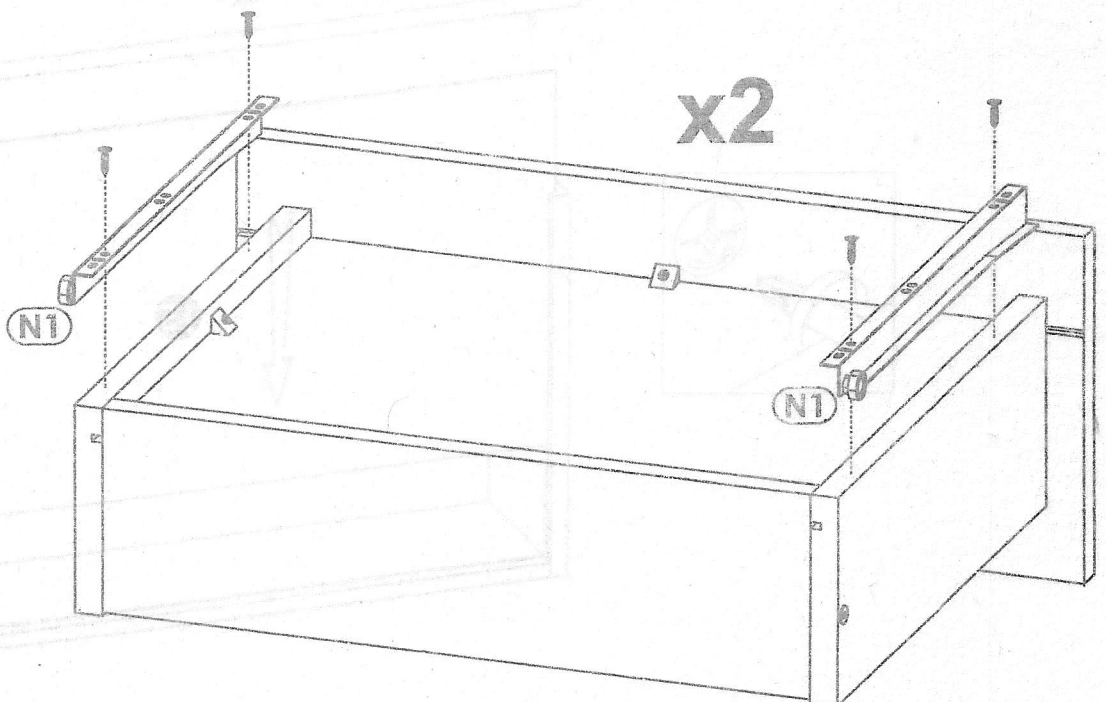
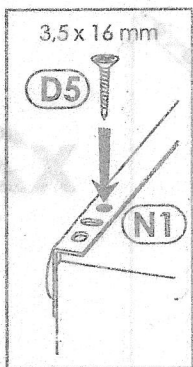
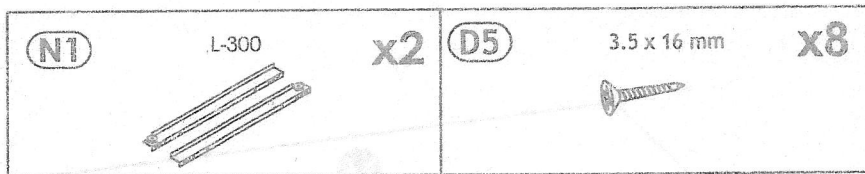
29 ▶



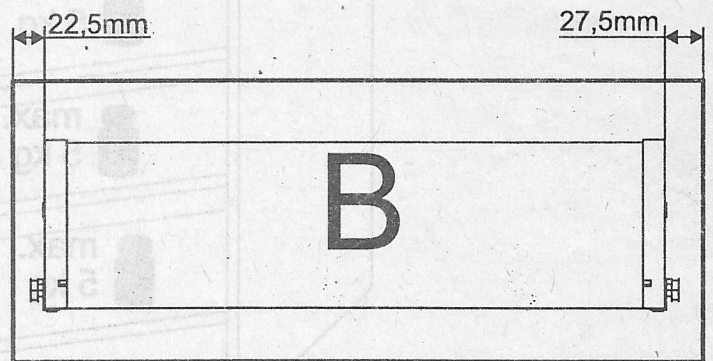
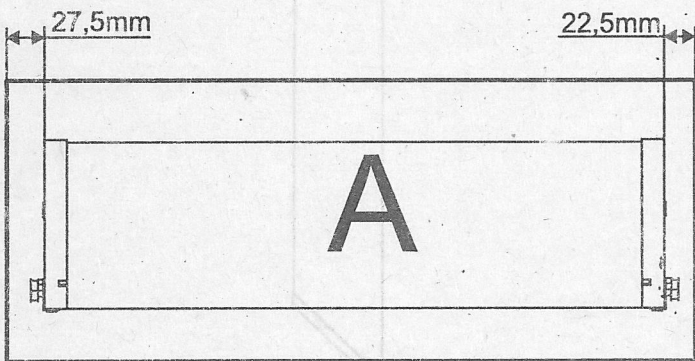
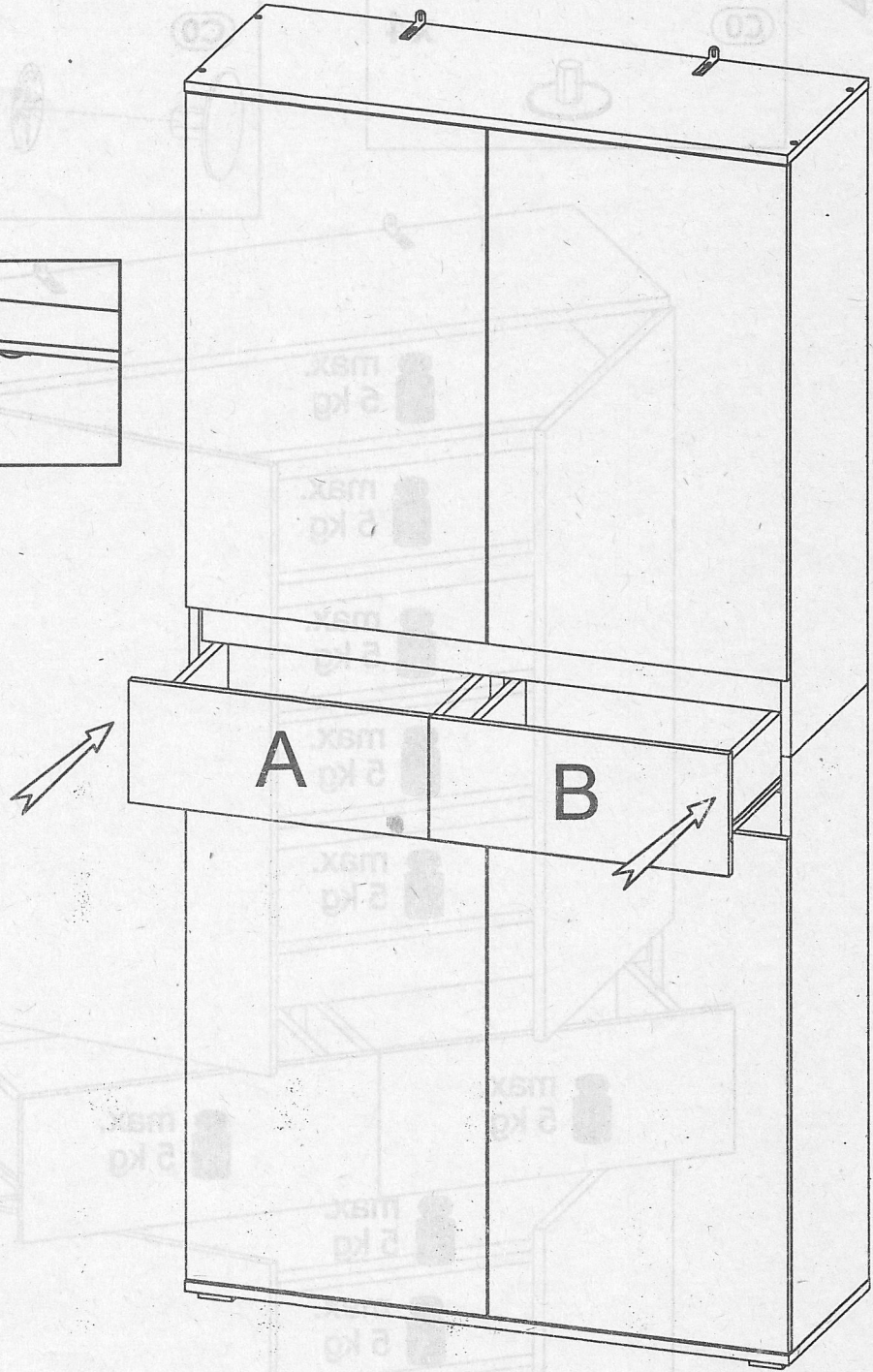
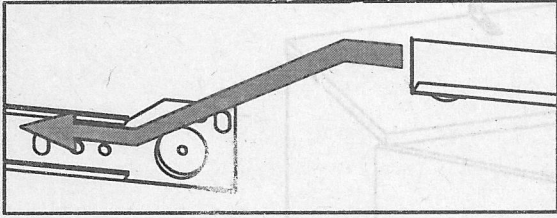
30 ▶



31 ▶



32 ▶



33 ▶

