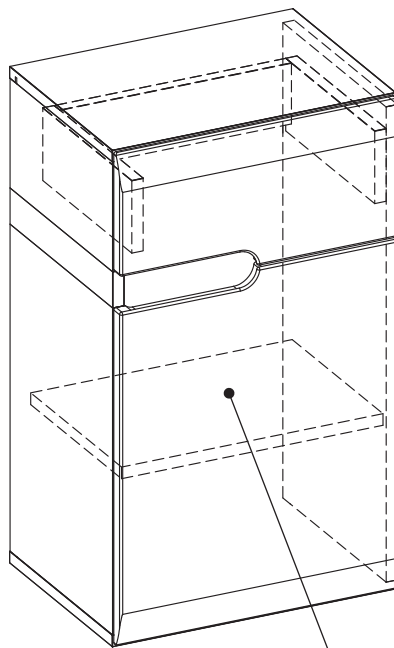


1803

# LINATE LTB02 R



- 30 min.



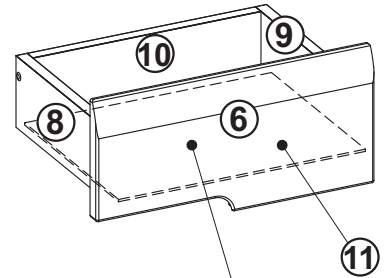
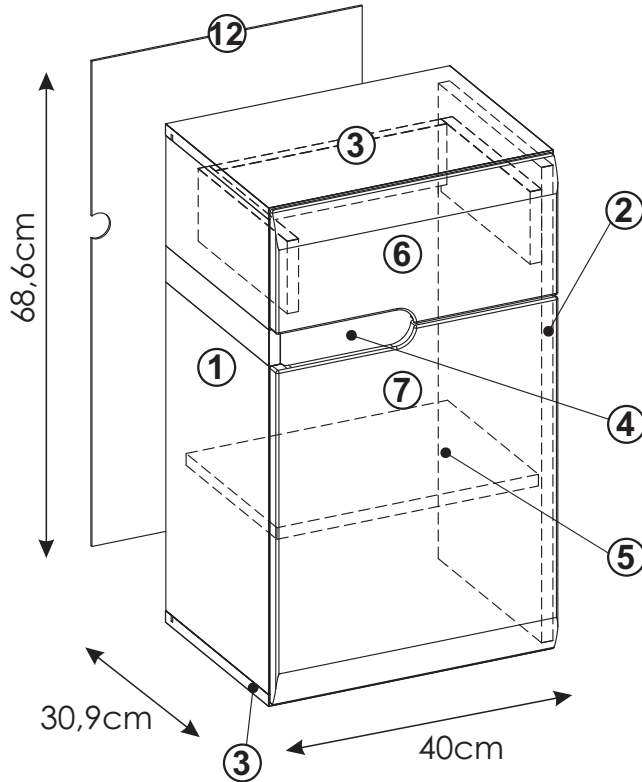
 max.  
5 kg

- |        |        |        |
|--------|--------|--------|
| ① - C1 | ⑤ - C1 | ⑨ - C1 |
| ② - C1 | ⑥ - C1 | ⑩ - C1 |
| ③ - C1 | ⑦ - C1 | ⑪ - C1 |
| ④ - C1 | ⑧ - C1 | ⑫ - C1 |

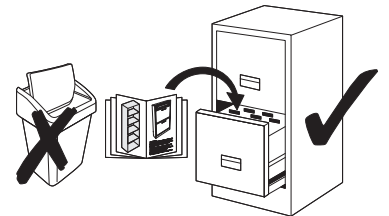
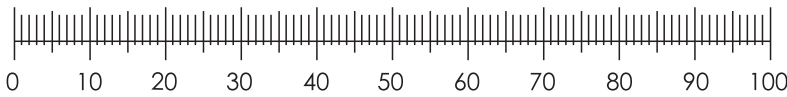


1803

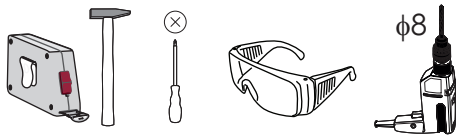
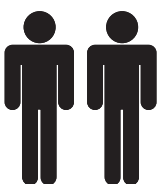
# LINATE LTB02 R



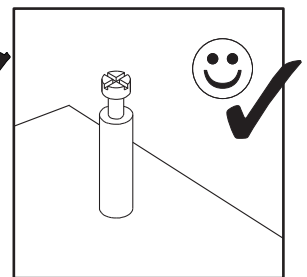
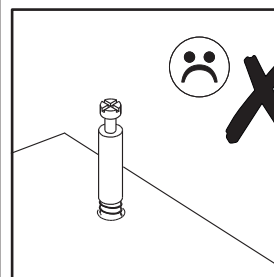
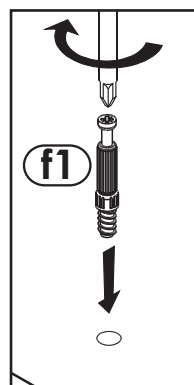
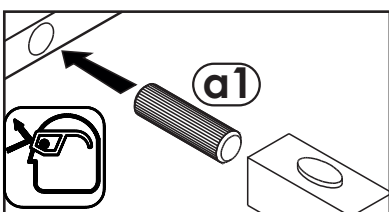
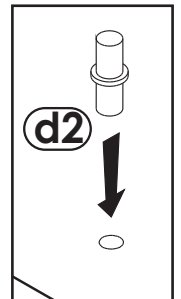
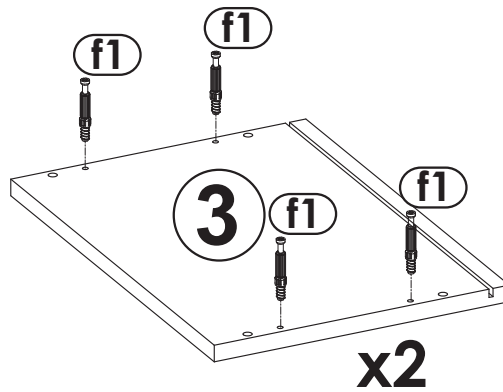
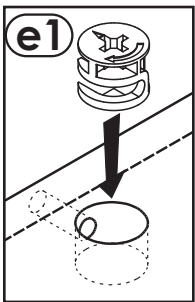
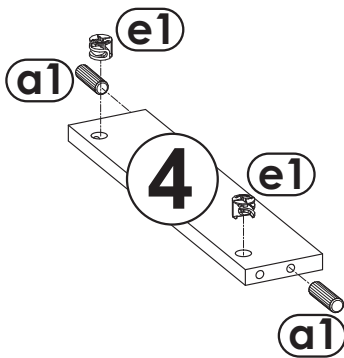
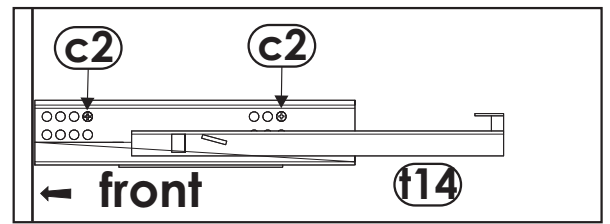
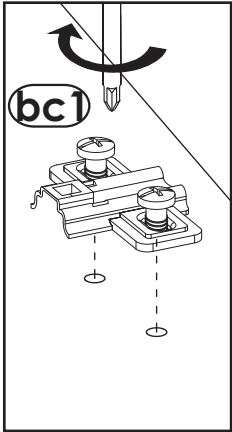
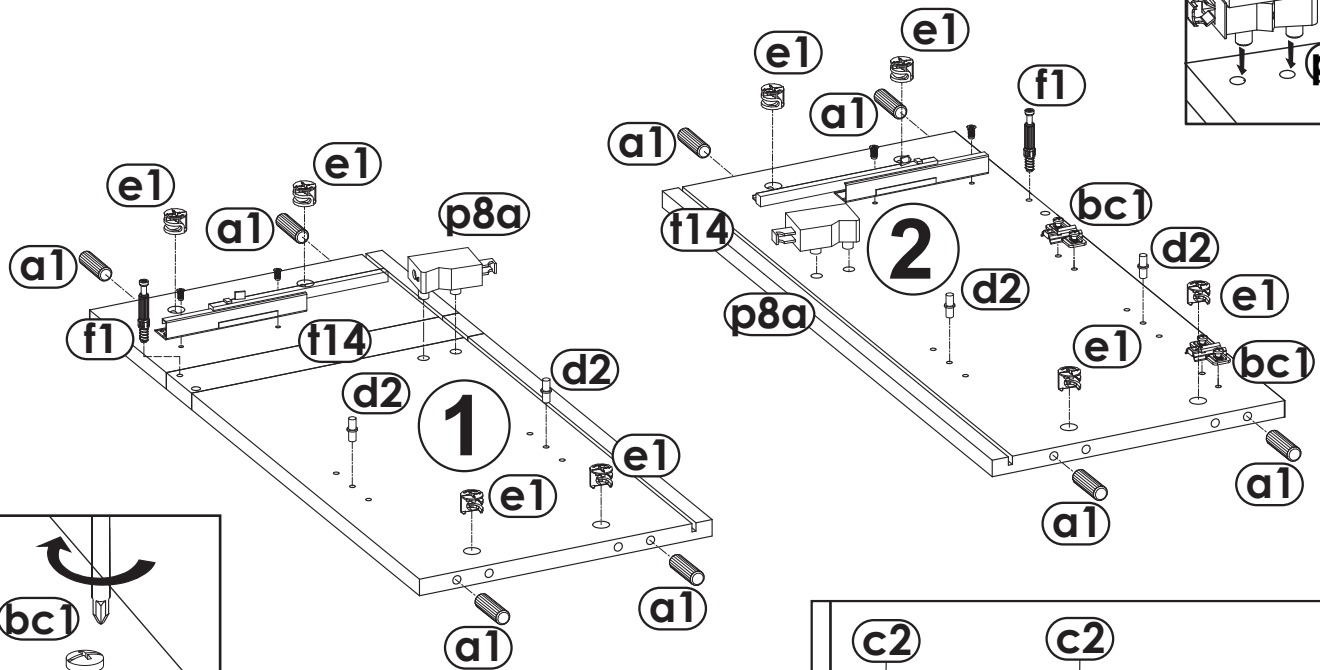
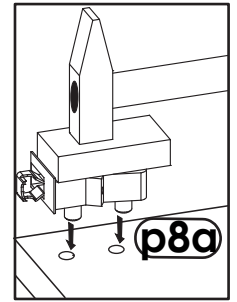
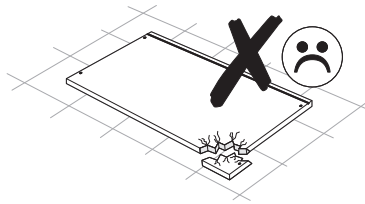
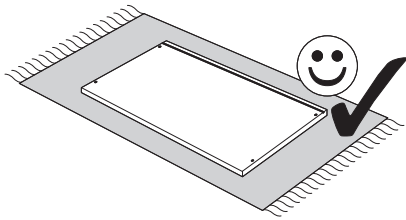
max.  
5 kg



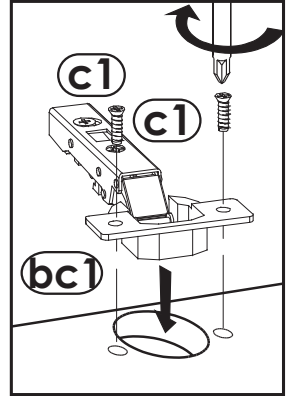
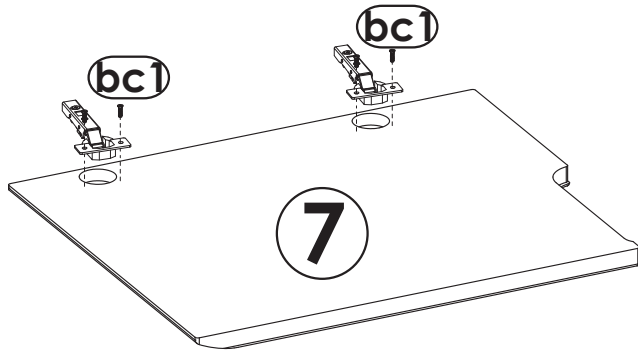
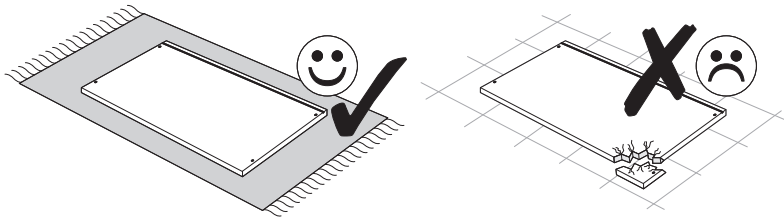
<b>a1</b> 8x35 x...(x14)	<b>bc1</b> x...(x2)	<b>c1</b> Euro 4x13 x...(x4)	<b>c2</b> Euro 5x13 x...(x4)	<b>d2</b> x...(x4)	<b>e0</b> WEISS x...(x8)	<b>e0</b> EICHE x...(x4)	<b>e1</b> x...(x12)	<b>f1</b> x...(x12)
<b>g0</b> x...(x2)	<b>g1</b> 7x50 x...(x2)	<b>m</b> x...(x1)	<b>n1</b> 3x16 x...(x2)	<b>p8a</b> L x...(x1)	<b>r4</b> x...(x6)	<b>f14</b> L-260 x...(x1)		



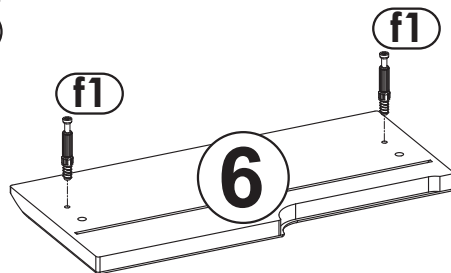
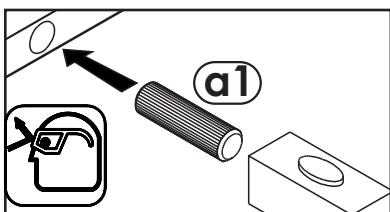
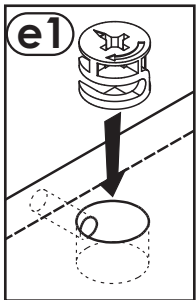
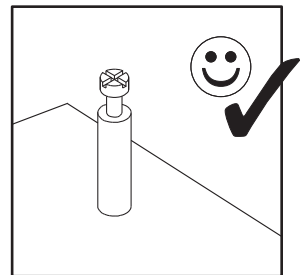
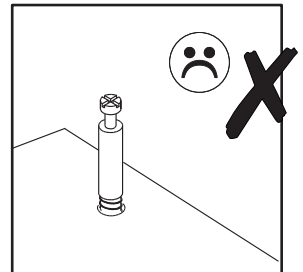
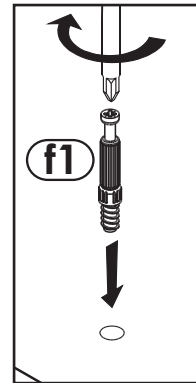
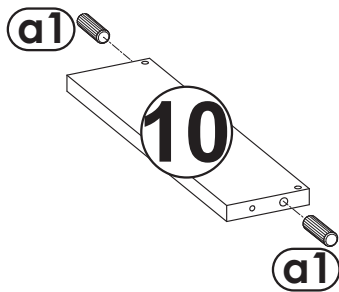
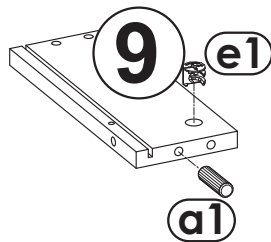
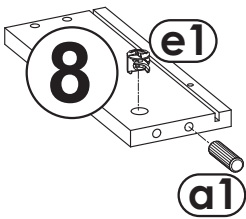
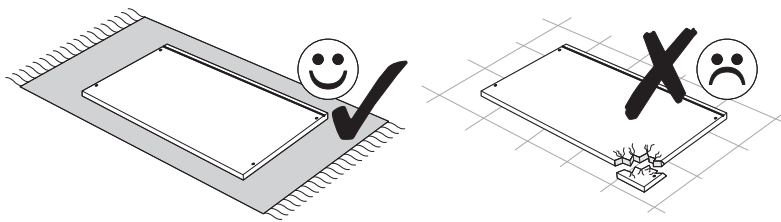
1



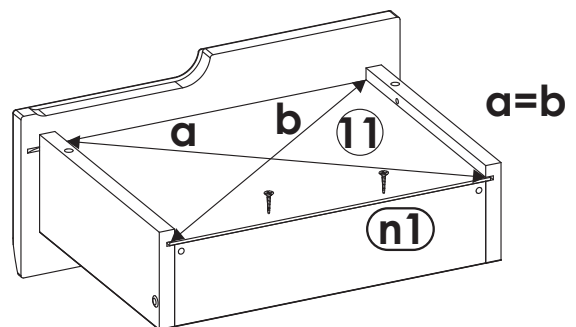
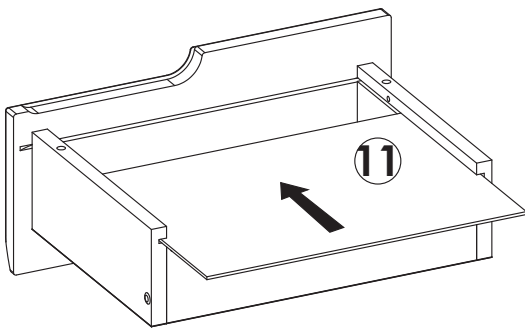
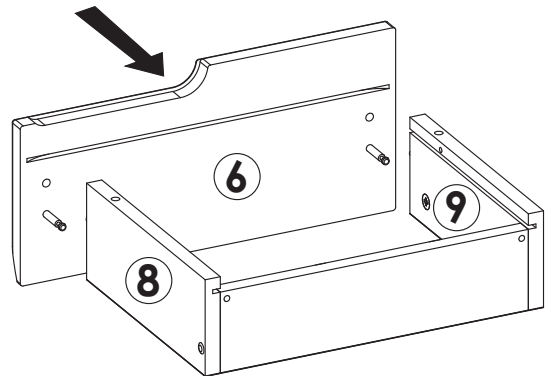
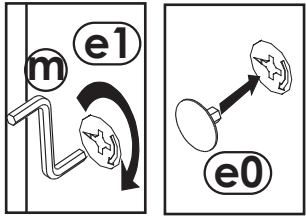
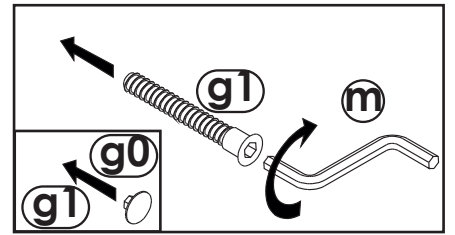
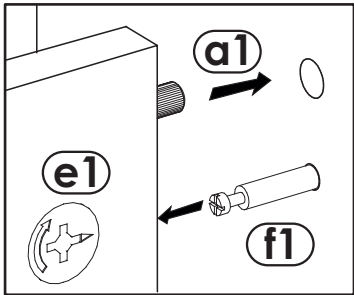
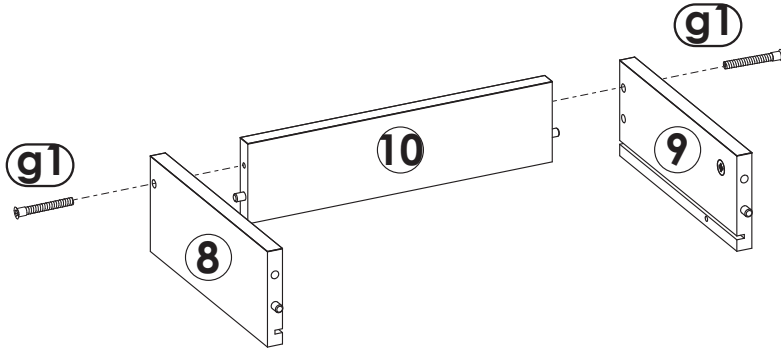
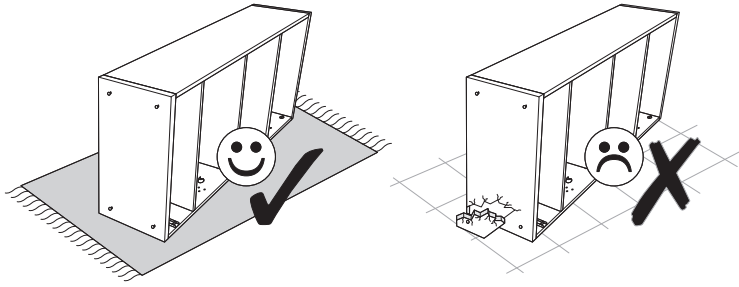
2



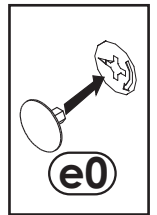
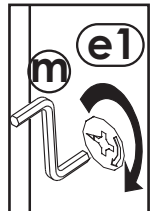
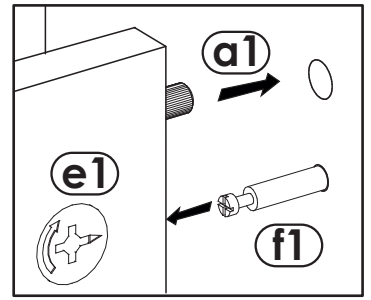
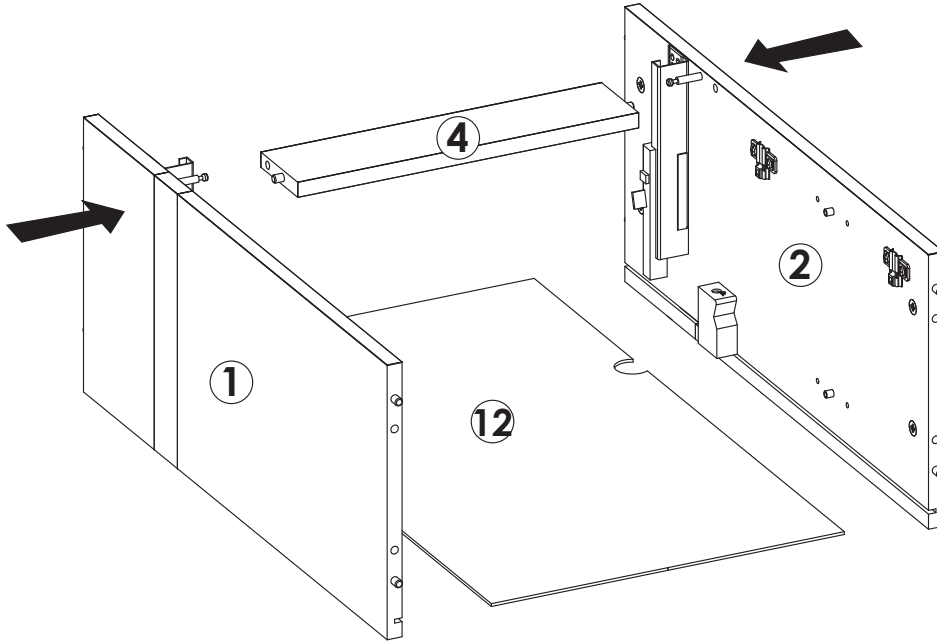
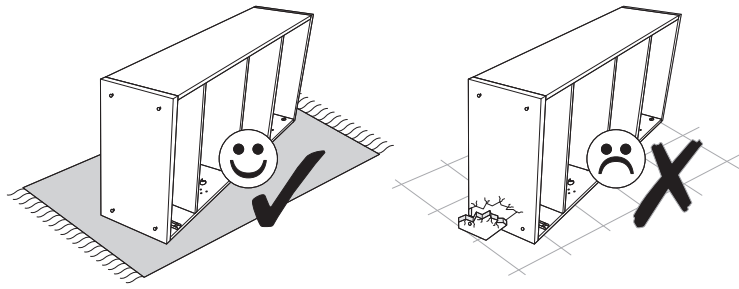
3



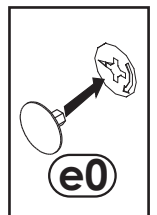
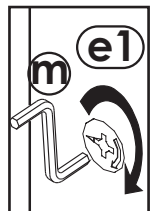
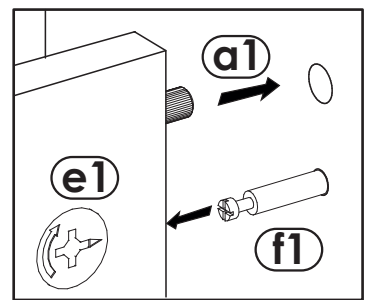
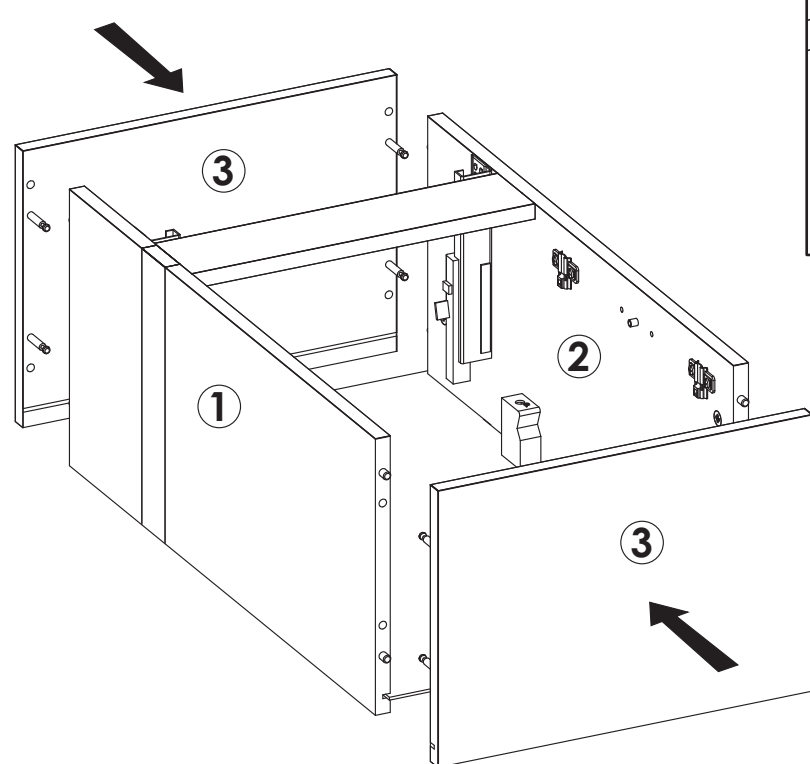
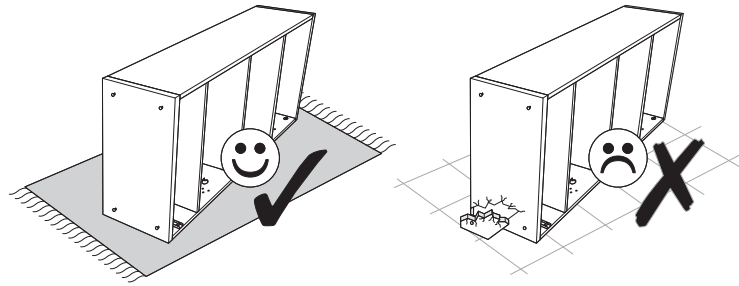
4  
▼



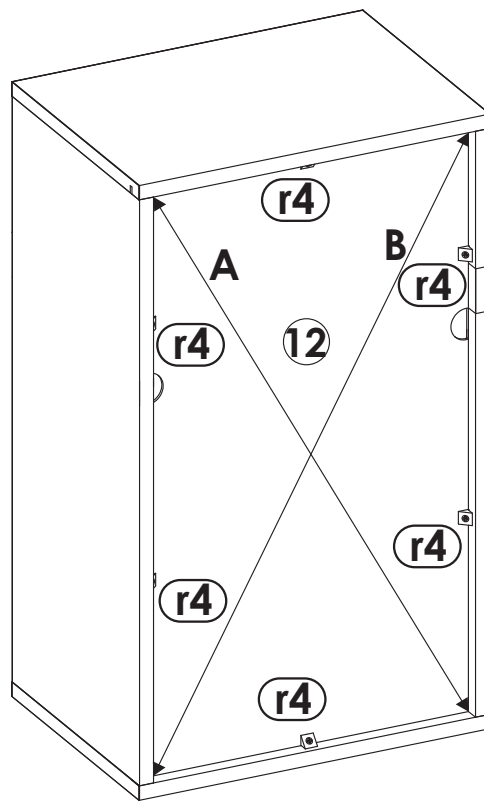
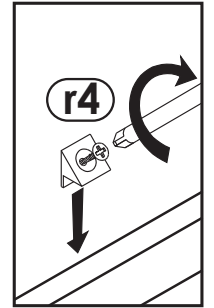
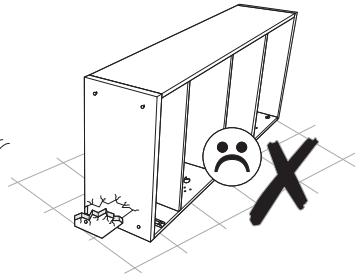
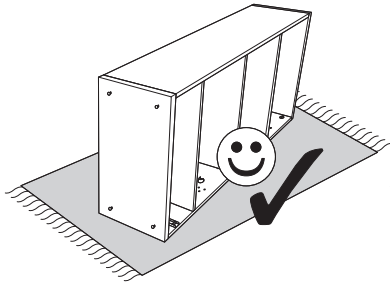
5



6



7



A=B

8

