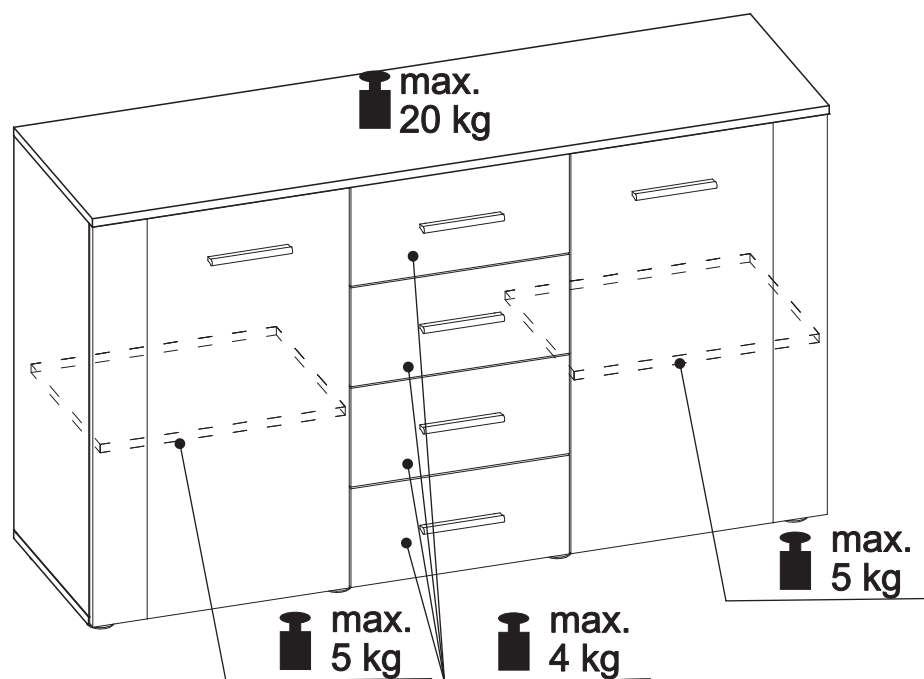


# UNO UNK02



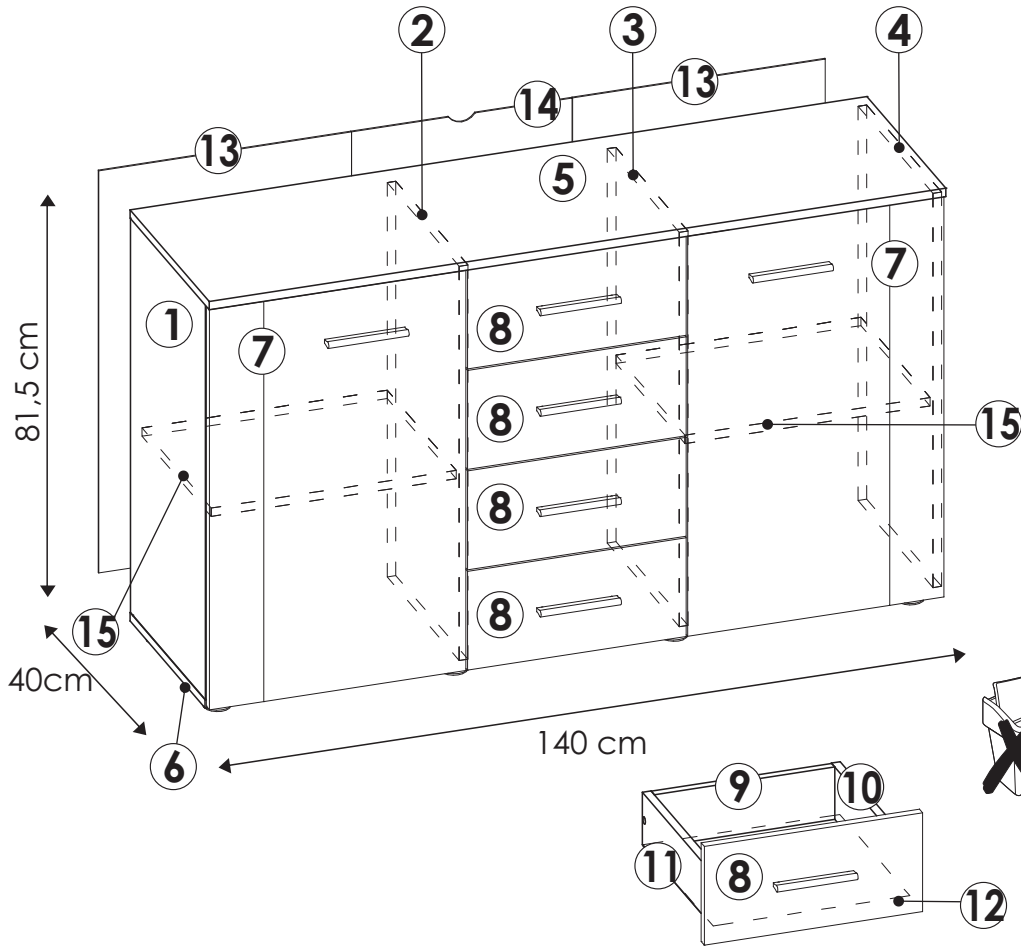
- 90 min.


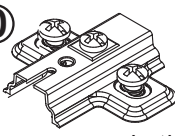
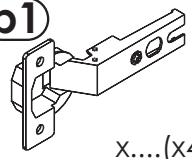


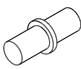



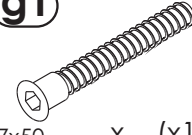

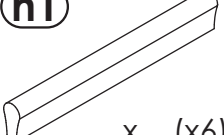

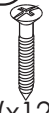


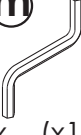



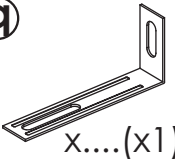
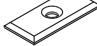
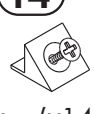
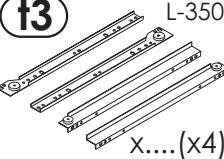


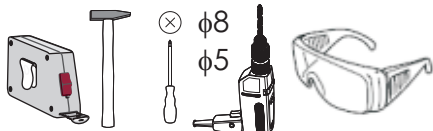
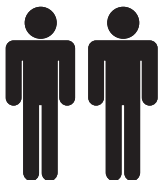
- |        |        |        |
|--------|--------|--------|
| ① - C1 | ⑥ - C1 | ⑪ - C2 |
| ② - C1 | ⑦ - C2 | ⑫ - C2 |
| ③ - C1 | ⑧ - C1 | ⑬ - C2 |
| ④ - C1 | ⑨ - C1 | ⑭ - C2 |
| ⑤ - C1 | ⑩ - C2 | ⑮ - C2 |

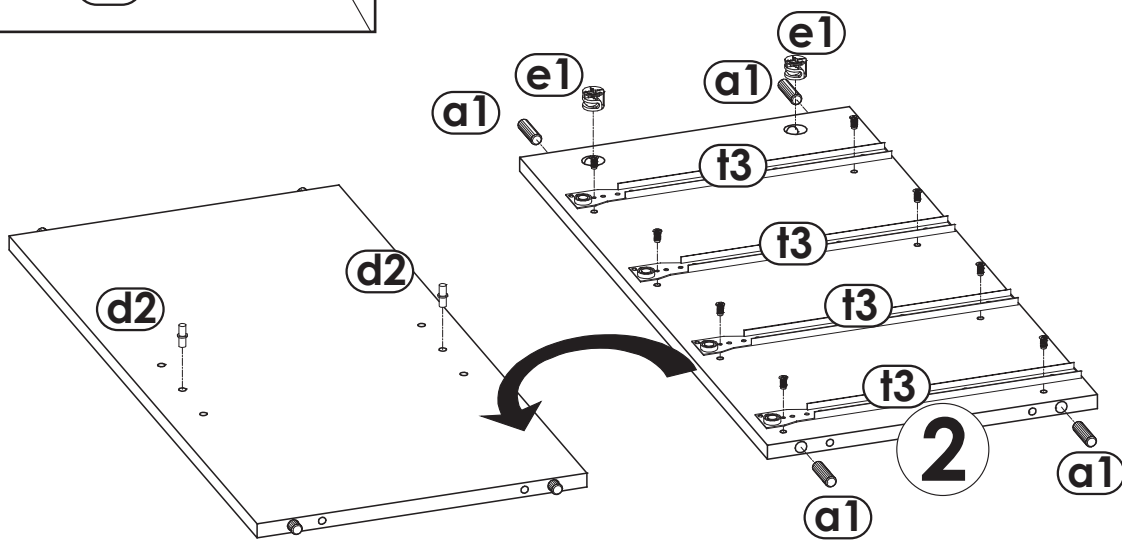
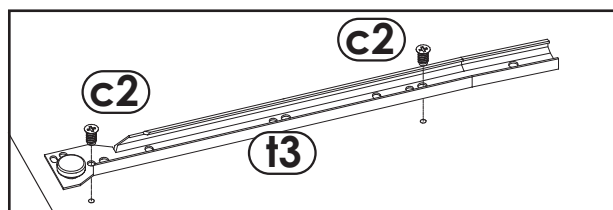
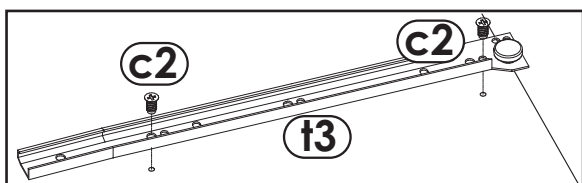
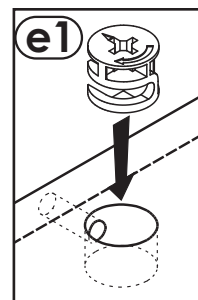
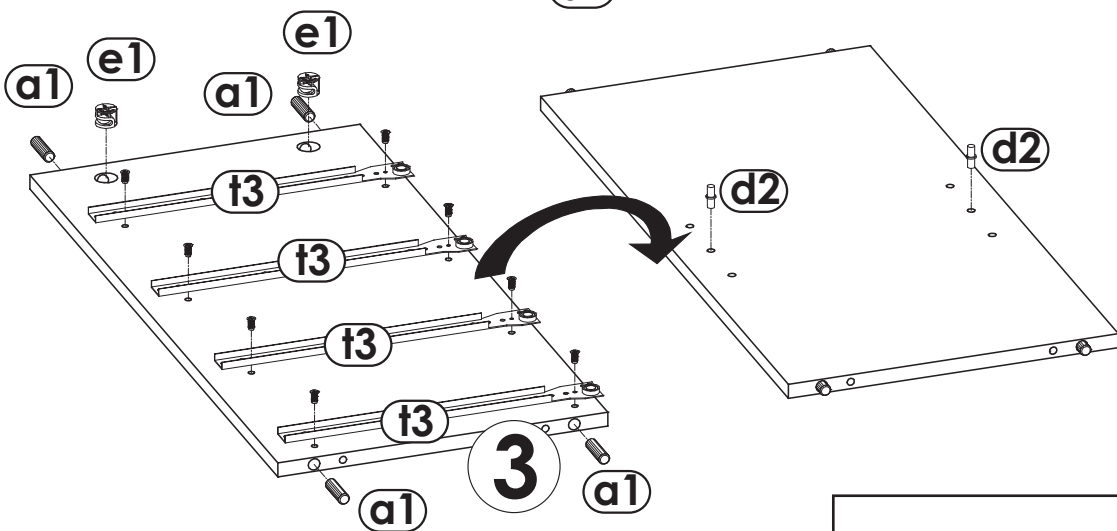
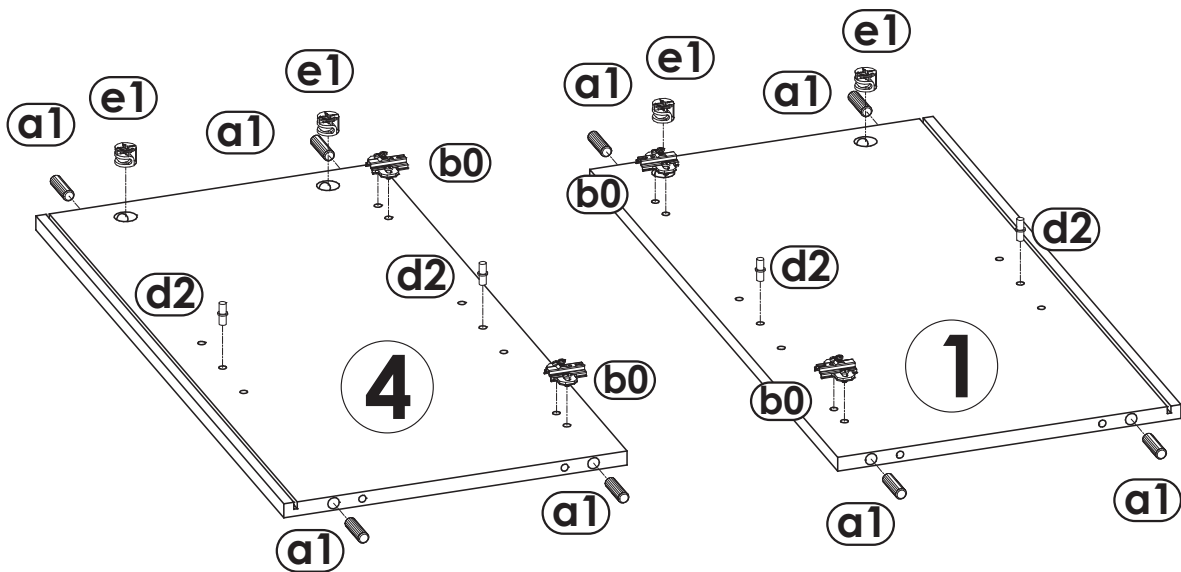
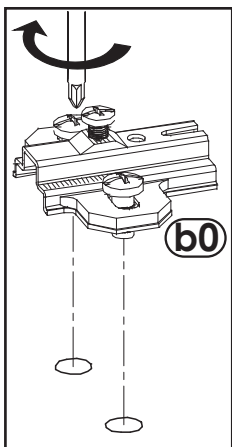
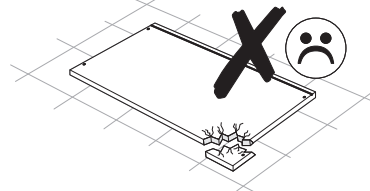
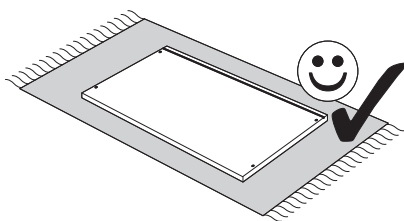
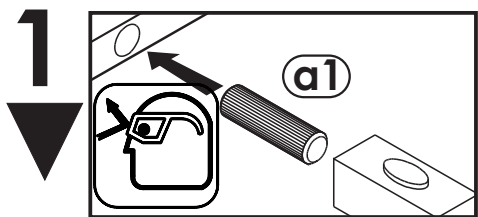


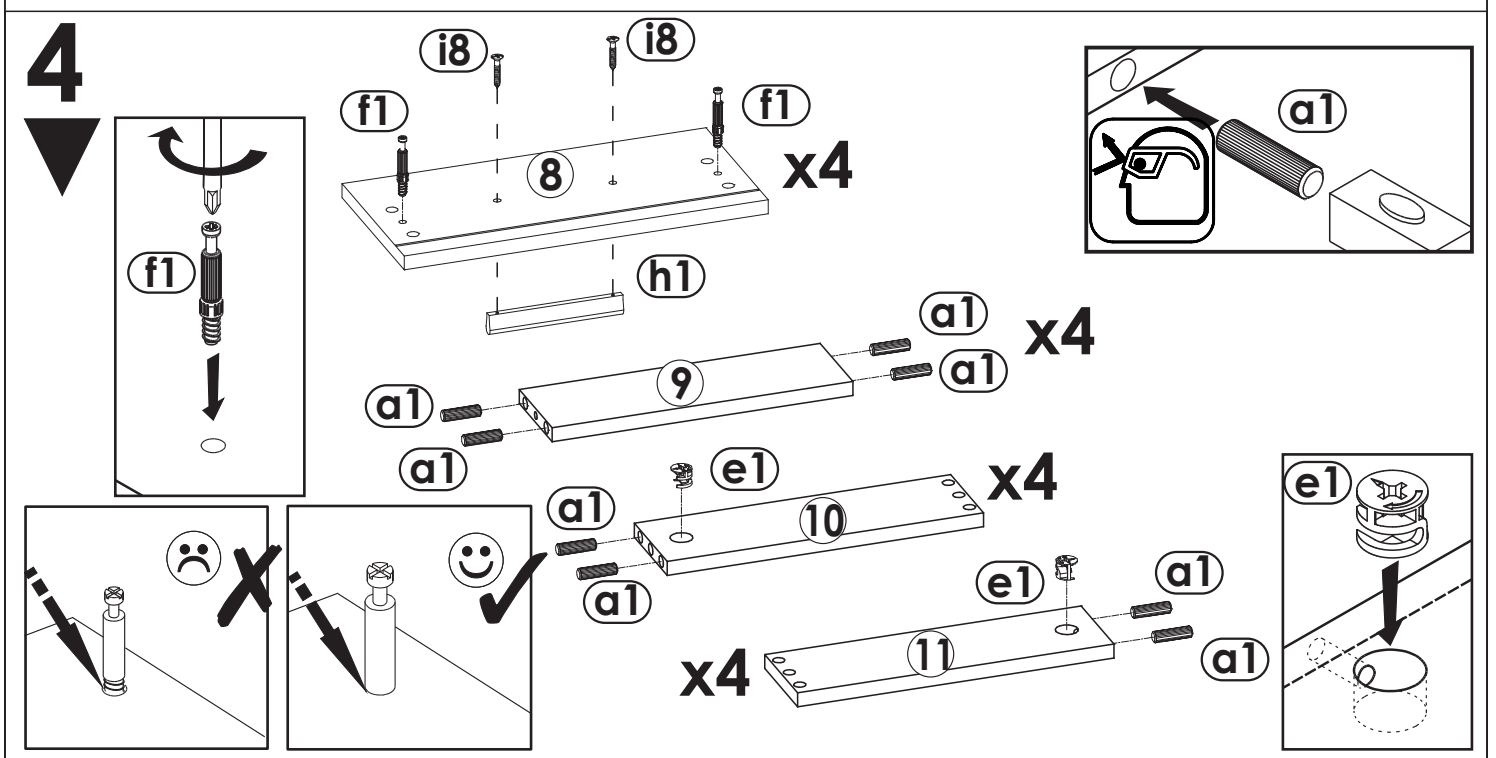
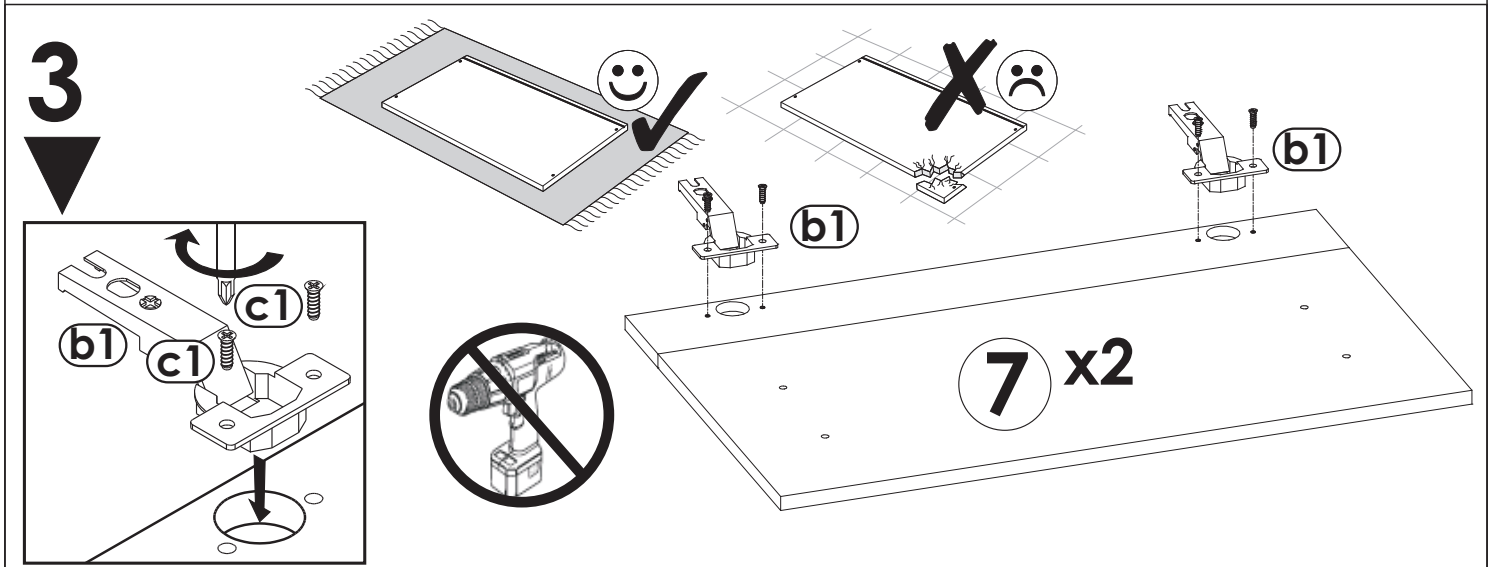
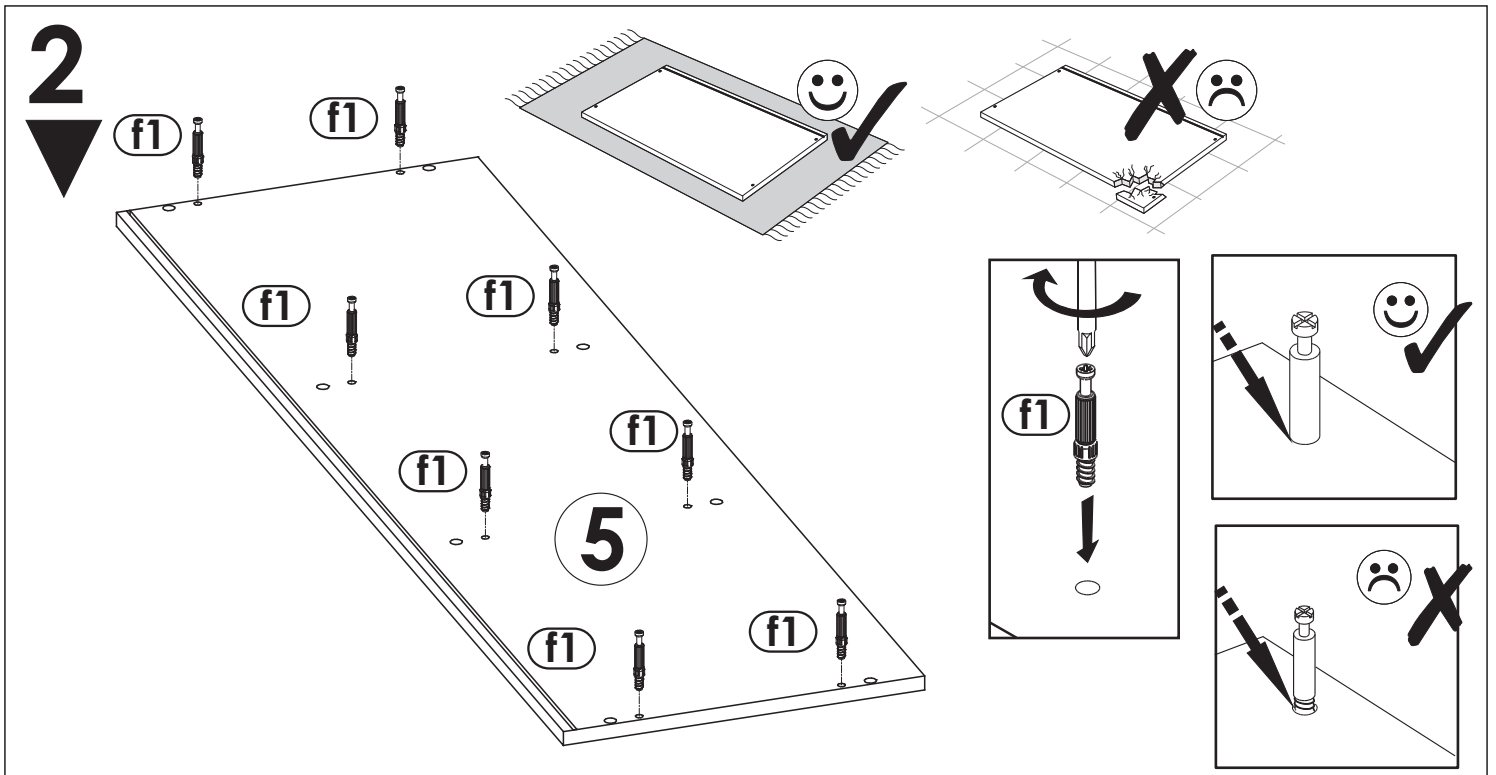
# UNO UNK02



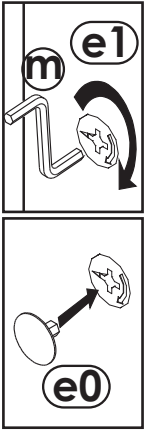
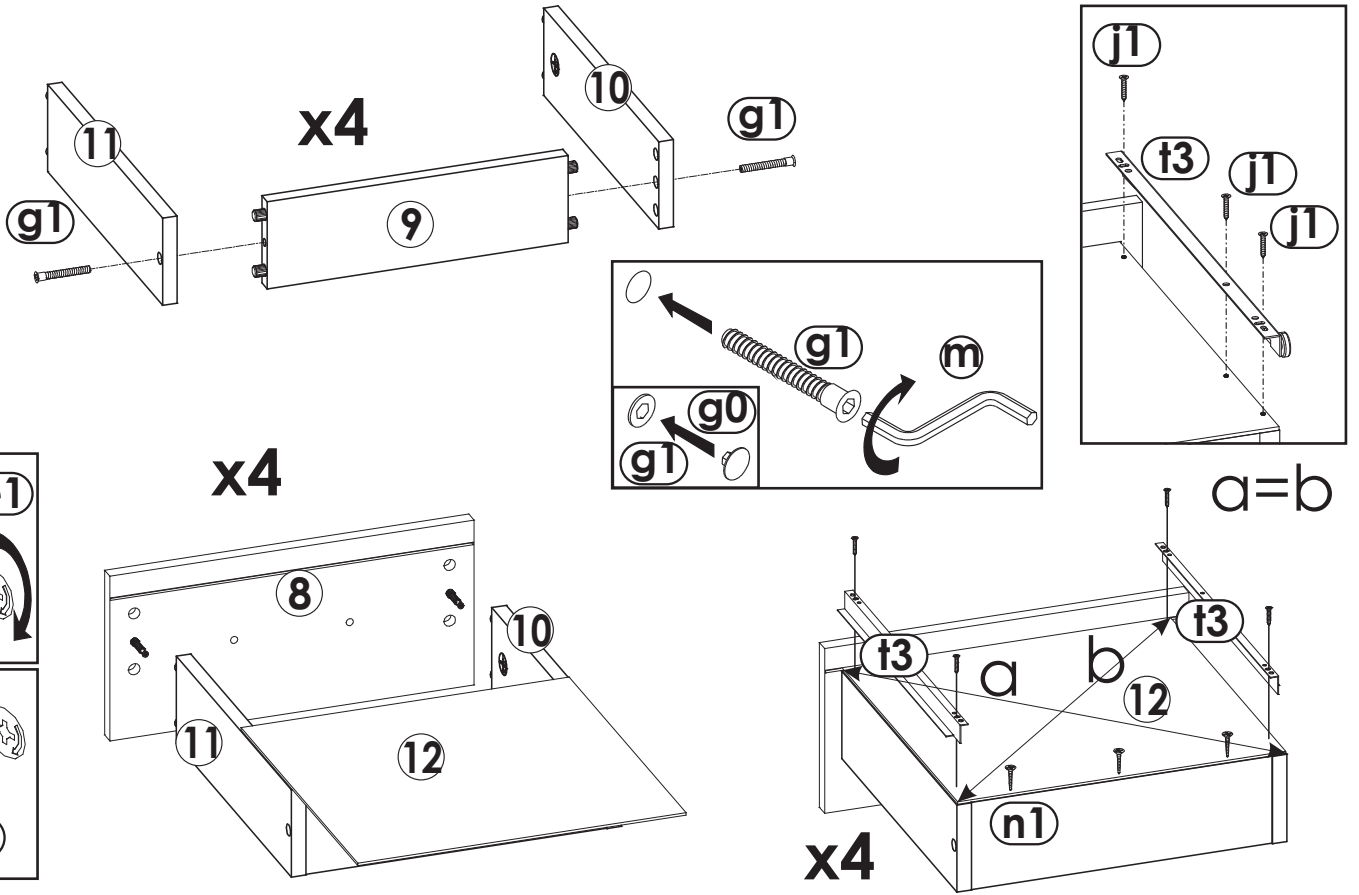
<b>a1</b>  8x35 x...(x48)	<b>b0</b>  x...(x4)	<b>b1</b>  x...(x4)	<b>c1</b>  Euro 4x13 x...(x8)	<b>c2</b>  Euro 5x13 x...(x16)	<b>d2</b>  x...(x8)	<b>e0</b>  x...(x16)	<b>e1</b>  x...(x16)	<b>f1</b>  x...(x16)
<b>g1</b>  7x50 x...(x16)	<b>g0</b>  x...(x16)	<b>h1</b>  x...(x6)	<b>i2</b>  4x16 x...(x1)	<b>i8</b>  4x27 x...(x12)	<b>i10</b>  3,5x22 x...(x8)	<b>j1</b>  3x20 x...(x24)	<b>m</b>  x...(x1)	<b>o15</b>  x...(x8)
<b>n1</b>  3x16 x...(x30)	<b>p0</b>  x...(x4)	<b>q</b>  x...(x1)	<b>r1</b>  x...(x8)	<b>r4</b>  x...(x14)	<b>t3</b>  L-350 x...(x4)			







**5**



**6**

